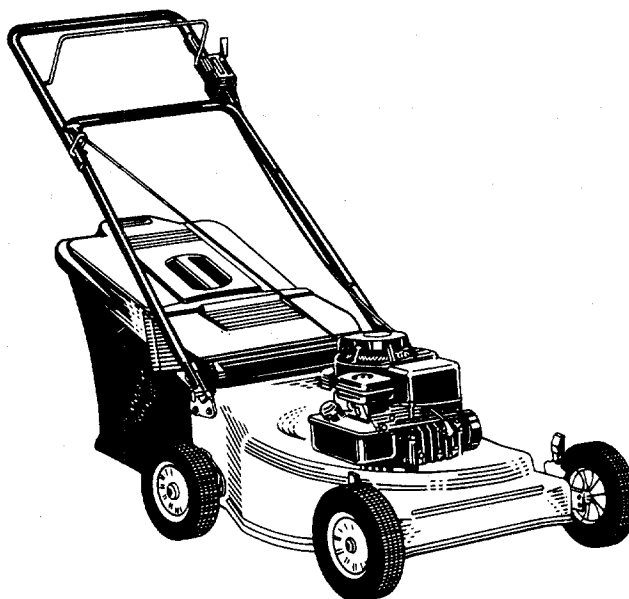


\$1.00

OWNER'S GUIDE

ASSEMBLY • OPERATION • MAINTENANCE • PARTS



(Model 422R Shown) | 190-076-000-HARD
190-078-000-SOFT

21"
ROTARY
MOWERS

Model Numbers

119-412R000	119-422R000
119-413R000	119-423R000
119-414R000	119-424R000
119-415R000	119-425R000
119-416R000	119-426R000
119-417R000	119-427R000
119-418R000	119-428R000
119-419R000	119-429R000

Important: Read Safety Rules and Instructions Carefully

INDEX

Slope Gauge	3
Contents of Hardware Pack	4
Rules for Safe Operation	5
Assembly	6
Controls	13
Operation	14
Adjustments	15
Lubrication	16
Maintenance	16
Off-Season Storage	17
Trouble Shooting Guide	19
Illustrated Parts	20
Repair Parts List	21, 22
Parts Information	Back Cover

Dear Customer,

So often throughout the year we are all in a rush to meet our daily obligations.

However, we at MTD Products Inc are taking a quick moment out to say . . .

"Thank you for your business."

Sincerely,
MTD PRODUCTS INC



INSTRUCTIONS GIVEN WITH THIS SYMBOL ARE FOR PERSONAL SAFETY. BE SURE TO FOLLOW THEM.

LIMITED WARRANTY

For one year from the date of original retail purchase, MTD PRODUCTS INC will either repair or replace, at its option, free of charge. F.O.B. factory or authorized service firm, any part or parts found to be defective in material or workmanship. Transportation charges for the movement of any power equipment unit or attachment are the responsibility of the purchaser. Transportation charges for any parts submitted for replacement under this warranty must be paid by the purchaser unless such return is requested by MTD PRODUCTS INC.

This warranty will not apply to any part which has become inoperative due to misuse, excessive use, accident, neglect, improper maintenance, alterations, or unless the unit has been operated and maintained in accordance with the instructions furnished. This warranty does not apply to the engine, Peerless components, motor, battery (except as noted below) or component parts thereof. Please refer to the applicable manufacturer's warranty on these items.

A battery which proves defective within ninety (90) days will be replaced without charge. After 90 days but within one year from the date of purchase, MTD will replace the defective battery for a charge of 1/12 of the current retail price of the battery for each full 30 day period between the date of purchase and the date of return.

This warranty will not apply where the unit has been used commercially.

Warranty service is available through your local authorized service dealer or distributor. If you do not know the dealer or distributor in your area, please write to the Customer Service Department of MTD.

The return of a complete unit will not be accepted by the factory unless prior written permission has been extended by MTD.

This warranty gives you specific legal rights. You may also have other rights which vary from state to state.

WARNING: This unit is equipped with an internal combustion engine and should not be used on or near any unimproved forest-covered, brush-covered or grass-covered land unless the engine's exhaust system is equipped with a spark arrester meeting applicable local or state laws (if any). If a spark arrester is used, it should be maintained in effective working order by the operator.

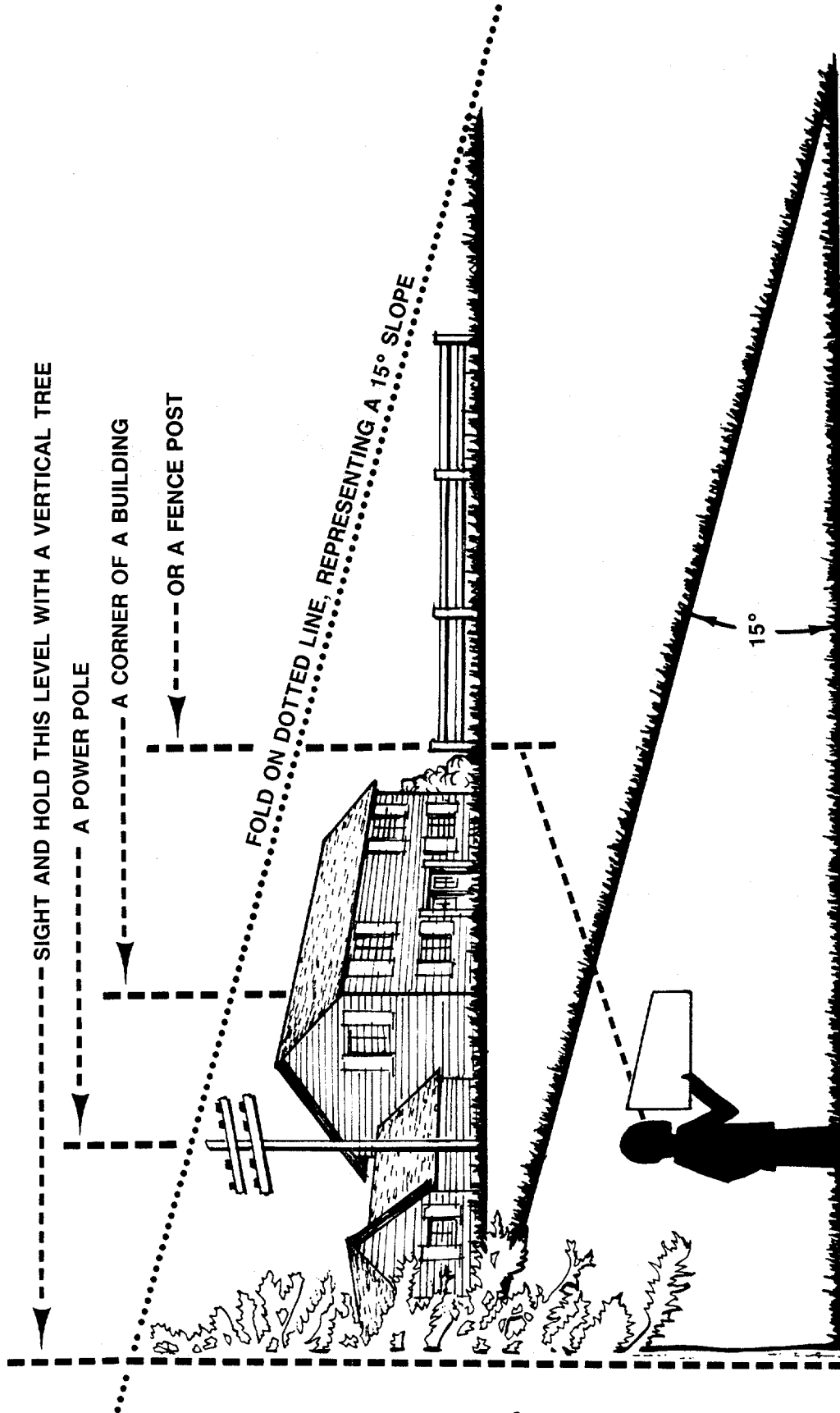
In the State of California the above is required by law (Section 4442 of the California Public Resources Code). Other states may have similar laws. Federal laws apply on federal lands. A spark arrester for the muffler is available through your nearest engine authorized service dealer.

Cut Along This Line

USE THIS SHEET AS A GUIDE TO DETERMINE SLOPES WHERE YOU MAY NOT OPERATE SAFELY.

SLOPE GAUGE

(Keep this sheet in a safe place for future reference.)



Do not mow on inclines with a slope in excess of 15 degrees (a rise of approximately 2½ feet every 10 feet). A riding mower could overturn and cause serious injury. If operating a walk-behind mower on such a slope, it is extremely difficult to maintain your footing and you could slip, resulting in serious injury.

Operate RIDING mowers up and down slopes, never across the face of slopes.

Operate WALK-BEHIND mowers across the face of slopes, never up and down slopes.

CONTENTS OF HARDWARE PACK/PARTS IDENTIFICATION

Remove this sheet from your owner's manual and lay the hardware on the illustration for identification purposes. After assembly, keep the Slope Gauge which is on the reverse side of this sheet for future use.
(Hardware pack may contain extra items which are not used on your unit.)

A ATTACHING THE LOWER HANDLE

Hairpin Clips

B ATTACHING THE UPPER HANDLE

Rope Guide Bolt
Curved Head Bolt
Split Washers 5/16" I.D.
Hex Nuts 5/16-18 Thread

Blade Control Handle
Throttle Control Housing
Upper Handle
Rope Guide Bolt
Grass Catcher
Handle Mount Bracket
Lower Handle
Rear Deflector
Spark Plug

(Model 425R Shown)

PARTS IDENTIFICATION

C ASSEMBLY OF GRASS CATCHER
Models 412R through 419R
(Soft Grass Bags):

Self-Tapping Screws

Models 422R through 429R
(Hardtop Grass Bags):

Self-Tapping Screws
Flat Washer 1/4" I.D. x 5/8" O.D.

D SECURING THE CABLES

Cable Ties




Cut Along This Line

IMPORTANT

RULES FOR SAFE OPERATION



THIS SYMBOL POINTS OUT IMPORTANT SAFETY INSTRUCTIONS WHICH, IF NOT FOLLOWED, COULD ENDANGER THE PERSONAL SAFETY AND/OR PROPERTY OF YOURSELF AND OTHERS. READ AND FOLLOW ALL INSTRUCTIONS IN THIS MANUAL BEFORE ATTEMPTING TO OPERATE YOUR LAWN MOWER. FAILURE TO COMPLY WITH THESE INSTRUCTIONS MAY RESULT IN PERSONAL INJURY. WHEN YOU SEE THIS SYMBOL—  **HEED ITS WARNING.**



DANGER

Your lawn mower was built to be operated according to the rules for safe operation in this manual. As with any type of power equipment, carelessness or error on the part of the operator can result in serious injury. If you violate any of these rules, you may cause serious injury to yourself or others.



TRAINING

1. Read this owner's manual carefully in its entirety before attempting to assemble or operate this machine. Be completely familiar with the controls and the proper use of this machine before operating it. Keep this manual in a safe place for future and regular reference and for ordering replacement parts.
2. Your rotary mower is a precision piece of power equipment, not a plaything. Therefore, exercise extreme caution at all times.
3. Never allow children to operate a power mower. Only persons well acquainted with these rules of safe operation should be allowed to use your mower.
4. Keep the area of operation clear of all persons, particularly small children and pets. Stop engine when they are in the vicinity of your mower to help prevent blade contact or thrown object injury. Although the area of operation should be completely cleared of foreign objects, an object may have been overlooked and could be accidentally thrown by the mower in any direction and cause serious personal injury to the operator or any others allowed in the area.



PREPARATION

1. Thoroughly inspect the area where the equipment is to be used. Remove all stones, sticks, wire, bones and other foreign objects which could be picked up and thrown by the mower in any direction and cause serious personal injury to the operator or any others allowed in the area.
2. Always wear safety glasses or eye shields during operation or while performing an adjustment or repair, to protect eyes from foreign objects that may be thrown from the machine in any direction.
3. Wear sturdy, rough-soled work shoes and close-fitting slacks and shirts to avoid entanglement in the moving parts. Never operate a unit in bare feet, sandals, or sneakers.
4. Check the fuel before starting the engine. Gasoline is an extremely flammable fuel. Do not fill the gasoline tank indoors, while the engine is running, or until engine has been allowed to cool for two minutes after running. Replace gasoline cap securely and wipe off any spilled gasoline before starting the engine as it may cause a fire or explosion.
5. Disengage the self-propelled mechanism or drive clutch on units so equipped before starting the engine.
6. The blade control handle is a safety device. Never attempt to bypass its operation. Doing so makes the safety device inoperative and may result in personal injury through contact with the rotating blade. The blade control handle must operate easily in both directions.
7. Never attempt to make a wheel or cutting height adjustment while the engine is running.
8. Never operate the equipment in wet grass. Always be sure of your footing. A slip and fall can cause serious personal injury. Keep a firm hold on the handle and walk, never run. Mow only in daylight or in good artificial light.

9. For your safety, use the slope gauge included as part of this manual to measure slopes before operating this unit on a sloped or hilly area. If the slope is greater than 15° as shown on the slope gauge, do not operate this unit on that area or serious injury could result.



OPERATION

1. Do not change the engine governor settings or overspeed the engine. Excessive engine speeds are dangerous.
2. Do not put hands or feet near or under rotating parts. Keep clear of the discharge opening at all times as the rotating blade can cause injury.
3. Stop the blade when crossing gravel drives, walks or roads.
4. After striking a foreign object, stop the engine, remove the wire from the spark plug, and thoroughly inspect the mower for any damage. Repair the damage before restarting and operating the mower.
5. If the equipment should start to vibrate abnormally, stop the engine and check immediately for the cause. Vibration is generally a warning of trouble.
6. Shut the engine off and wait until the blade comes to a complete stop before removing the grass catcher or unclogging the chute. The cutting blade continues to rotate for a few seconds after the engine is shut off. Never place any part of the body in the blade area until you are sure the blade has stopped rotating.
7. Before cleaning, repairing or inspecting, make certain the blade and all moving parts have stopped. Disconnect the spark plug wire, and keep the wire away from the spark plug to prevent accidental starting.
8. Do not run the engine indoors.
9. Mow across the face of slopes, never up-and-down. Exercise extreme caution when changing direction on slopes. Do not mow excessively steep slopes. Always be sure of your footing. A slip and fall can cause serious personal injury.
10. Never operate mower without proper guards, plates or other safety protective devices in place.
11. Do not operate this mower with the chute door open, unless the complete grass catcher is properly mounted on the mower.



MAINTENANCE AND STORAGE

1. Check the blade and engine mounting bolts at frequent intervals for proper tightness.
2. Keep all nuts, bolts, and screws tight to be sure the equipment is in safe working condition.
3. Never store the equipment with gasoline in the tank inside of a building where fumes may reach an open flame or spark. Allow the engine to cool before storing in any enclosure.
4. To reduce fire hazard, keep the engine free of grass, leaves, or excessive grease.
5. Check the grass catcher bag frequently for wear or deterioration. For safety protection, replace only with new bag meeting original equipment specifications.

IMPORTANT: This unit is shipped WITHOUT GASOLINE or OIL. After assembly, service engine with gasoline and oil as instructed in the separate engine manual packed with your unit.

NOTE: Reference to right or left hand side of the mower is observed from the operating position. Refer to parts identification on page 4 for location of parts when assembling the mower.

ASSEMBLY INSTRUCTIONS

Tools Required for Assembly

- (1) Pair of Pliers
- (1) 1/2" Wrench*
- (1) 5/16" Wrench or Nutdriver*
- (1) Screwdriver
- *Or one 6" Adjustable Wrench.

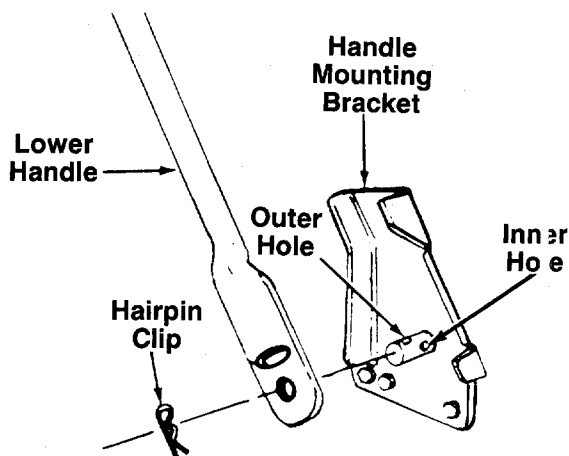


FIGURE 1.

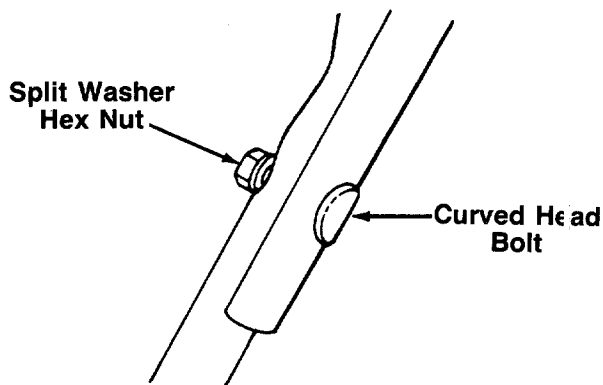


FIGURE 2.

UNPACKING

1. Remove the lawn mower from the carton by opening the top flaps and lifting the unit out. Be careful of the staples. Make certain all parts and literature have been removed from the carton before the carton is discarded.
2. Disconnect and ground the spark plug wire against the engine. Check beneath the deck for any cardboard packaging. Remove if present.
3. Stretch out all control cables and place on the floor. Be careful not to bend or kink the cables at any time during assembly.
4. Remove page four from this manual and lay the contents of the hardware pack on the illustration for identification.

ATTACHING THE LOWER HANDLE (Hardware A)

1. Attach the lower handle by placing the bottom holes in the lower handle over the weld pins on the handle mounting brackets on the rear of the deck. Make certain the instruction label on the lower handle can be read from the operating position.
2. Using a pair of pliers, squeeze one leg of the lower handle against the handle mounting bracket. Insert the hairpin clip into the inner hole on the weld pin. See figure 1. Repeat on other side.

NOTE

There are two (2) holes in the handle mounting brackets. Place the hairpin clip in the inner hole for operation. Outer hole is for storage.

ATTACHING THE UPPER HANDLE (Hardware B)

1. Place the upper handle in position over the lower handle. **The label on the throttle control housing and the control lever must be facing up.**

NOTE

The right hand side of the handle will be secured with the rope guide bolt. However, left handed operators may assemble the rope guide bolt to the left side of the handle for easier starting by following steps 2 and 3 and reversing the left and right hand instructions.

2. Secure the left hand side of upper handle using the curved head bolt, split washer and hex nut as shown in figure 2.

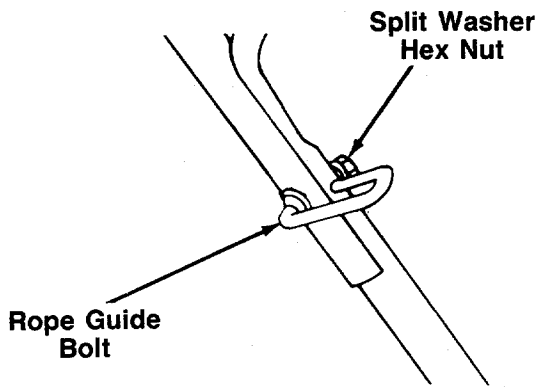


FIGURE 3.

3. Insert the rope guide bolt through the right hand side of upper and lower handle. See figure 3. Secure with split washer and hex nut, finger tight only.

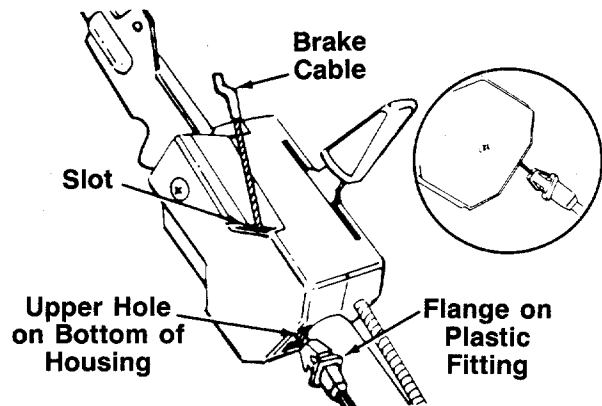


FIGURE 4.

ATTACHING THE BRAKE CABLE

1. The brake cable is attached to the engine, and has a "Z" fitting on the loose end. Route the brake cable below the lower handle. Place end of cable into the upper hole on the bottom of the control housing, and through the slot as shown. The angle of the plastic flange must be positioned downward as shown in figure 4. Be careful not to bend or kink the cable at any time.
2. Push the plastic fitting until it locks into the control housing.



WARNING

Brake cable must be assembled as shown for proper blade brake operation.

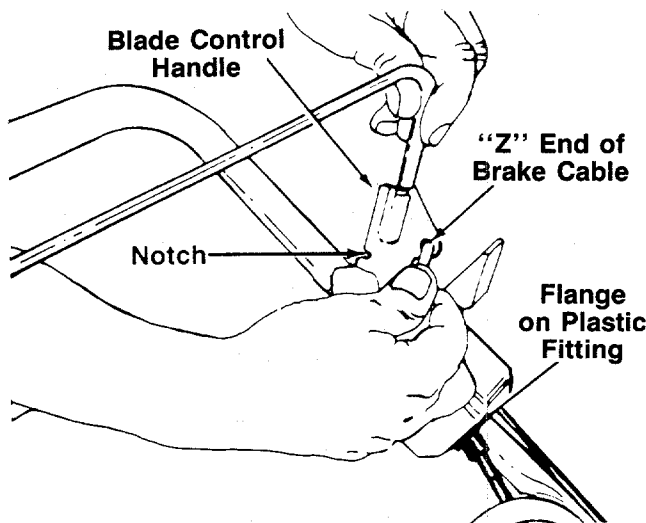


FIGURE 5.

3. Hook the "Z" end of the brake cable into the hole in the blade control handle from the inside to the outside as shown in figure 5.

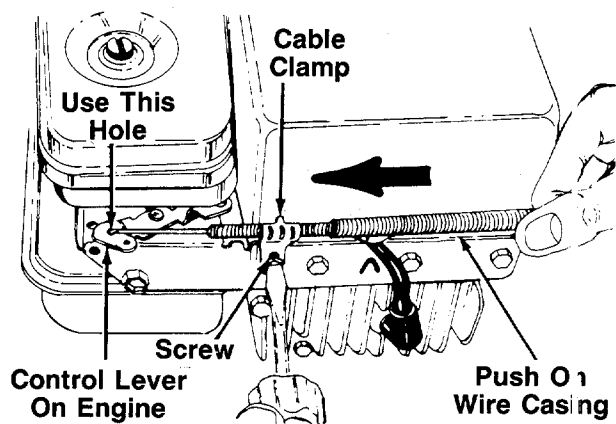


FIGURE 6A.—Models 412R & 422R

**ATTACHING THE THROTTLE CABLE
Models 412R and 422R Only:**

1. Place the throttle control lever on the handle in FAST position.
2. The throttle control cable is attached to the upper handle. Route the throttle control cable under the lower handle and inside the handle mounting bracket. Hook the "Z" end of the throttle control cable into the arm on the control lever on the engine which has two holes, using the **outside** hole as shown in figure 6A.
3. Remove the screw on the cable clamp on the engine shown in figure 6A. Slip the control casing under the clamp. Replace the screw, but do not tighten (cable must still move freely beneath the clamp).
4. Slide the control lever on the engine as far toward the **outside** of the engine as it will go. Push the wire casing on the throttle control cable toward the control lever on the engine as shown in figure 6A as you tighten the screw on the cable clamp to secure the cable in this position.
5. Loosen the screw on the clamp on the side of the engine. Secure the cable **away from the muffler**. Be careful not to bend or kink the cable. Tighten the screw.

**ATTACHING THE THROTTLE CABLE
Models 413R, 415R, 417R, 418R, 423R, 425R, 427R
and 428R (Tecumseh Engines):**

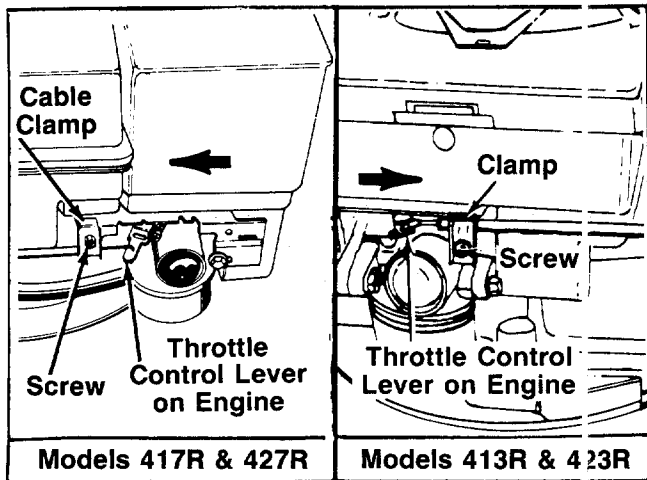


FIGURE 6B.—Tecumseh Engines

1. Place the throttle control lever on the handle in FAST position.
2. The throttle control cable is attached to the upper handle. Route the throttle control cable under the lower handle and inside the handle mounting bracket. Hook the "Z" end of the throttle control cable into the control lever on the engine as shown in figure 6B.
3. Loosen (do not remove) the screw on the cable clamp shown in figure 6B. Slip the control casing under the clamp (cable must move freely beneath the clamp).
4. Place the control lever on the engine in the full open position by pushing it as far toward the rear of the unit as it will go. Tighten the screw on the cable clamp to secure the cable in this position.

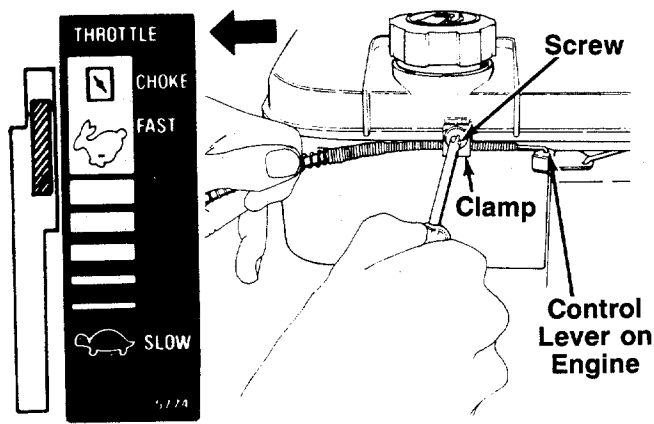


FIGURE 6C.—Models 414R & 424R

ATTACHING THE THROTTLE CABLE

Models 414R and 424R Only:

1. Push the throttle control lever on the handle all the way forward to CHOKE, then back it off **two "clicks"** (approximately 5/16"). See figure 6C.
2. The throttle control cable is attached to the upper handle. Route the throttle control cable under the lower handle and inside the handle mounting bracket. Hook the "Z" end of the throttle control cable into the hole in the control lever on the engine. See figure 6C.
3. Using a phillips screwdriver, remove the screw on the cable clamp shown in figure 6C. Remove the cable clamp and the plate which is beneath the clamp.
4. Push the control lever on the engine as far toward the rear of the engine as it will go. See figure 6C. Pull the throttle control cable toward the rear of the engine to remove any slack in the cable. Secure the cable to the engine in this position, using the cable clamp, plate and screw removed in step 3 (plate goes beneath the cable).

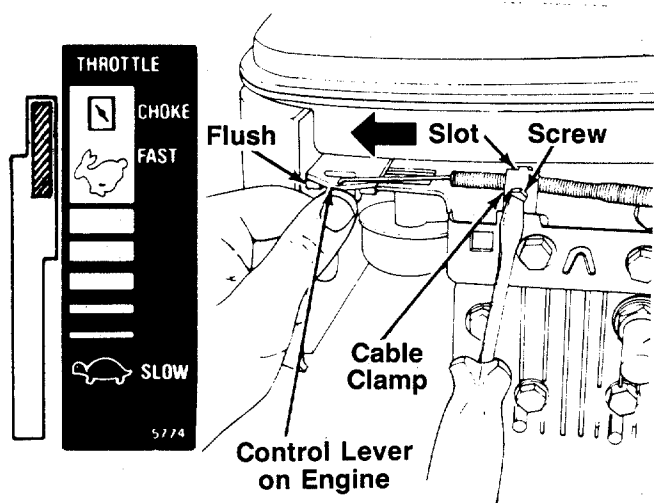


FIGURE 6D.—Models 416R, 419R, 426R & 429R

ATTACHING THE THROTTLE CABLE

Models 416R, 419R, 426R and 429R Only:

1. Push the throttle control lever on the handle all the way forward to CHOKE position. See figure 6D.
2. The throttle control cable is attached to the upper handle. Route the throttle control cable under the lower handle and inside the handle mounting bracket. Hook the "Z" end of the throttle control cable into the hole in the control lever on the engine. See figure 6D.
3. Using a 5/16" wrench or nutdriver, remove the screw on the cable clamp shown in figure 6D. Slip the control cable under the clamp. Replace the screw (cable should be above the screw), but do not tighten (cable must still move freely beneath the clamp). Make certain the tab on the cable clamp is seated into the slot on the engine.
4. Push the control lever on the engine as far toward the **outside** of the engine as it will go. The edge of the control lever should be flush with the bracket on the engine. See figure 6D. Hold the control lever in this position as you tighten the screw on the cable clamp to secure the throttle cable.
5. Loosen the screw on the clamp on the side of the engine. Slip the cable casing under the clamp to secure the cable **away from the muffler**. Be careful not to bend or kink the cable. Tighten the screw.

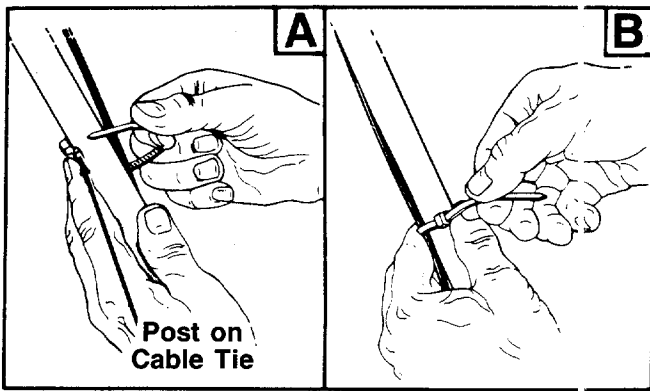


FIGURE 7.

SECURING THE CABLES (Hardware D)

Secure both cables to the left side of the handle as follows.

- A. Insert posts on cable ties into holes provided on the lower handle. The holes may be either on the inside or outside of the handles. See figure 7A.
- B. Secure the cables with the cable ties. See figure 7B.
- C. Trim excess ends of cable ties.

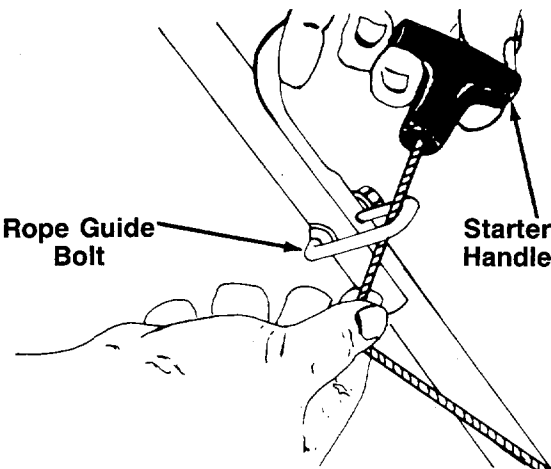


FIGURE 8.

ATTACHING THE STARTER ROPE

1. The starter rope is protruding from the top of the engine. Additional rope may be wound around the starter handle. If so, unwind the rope from the handle.
2. With the spark plug wire disconnected and grounded, depress the blade control handle and pull the rope out of the engine.
3. Slip the starter rope into the rope guide bolt as shown in figure 8.
4. Tighten the hex nut on the rope guide bolt securely.

FINAL ASSEMBLY OF MOWER

1. Attach hub caps (optional) to the wheels by lining up the hub caps with the wheel hubs. Push to lock in position.
2. Make certain all nuts and bolts are tightened securely.

ASSEMBLY OF GRASS CATCHER (Hardware C)

There are two different types of grass catchers, those with soft grass bags and those with hardtop grass bags. Follow the instructions which pertain to your unit.

NOTE

Make certain the grass bag is turned right side out before assembling (warning label will be on the outside).

Models 412R through 419R (Soft Grass Bags):

1. Place the end of the rear frame inside the grass catcher bag. See figure 9A.
2. Insert one end of the frame into the cloth channel inside the grass catcher bag. Feed all the material on one side of the frame before working it around the frame.

When this step is completed, both ends of the frame should be inside the bag. See figure 9B.

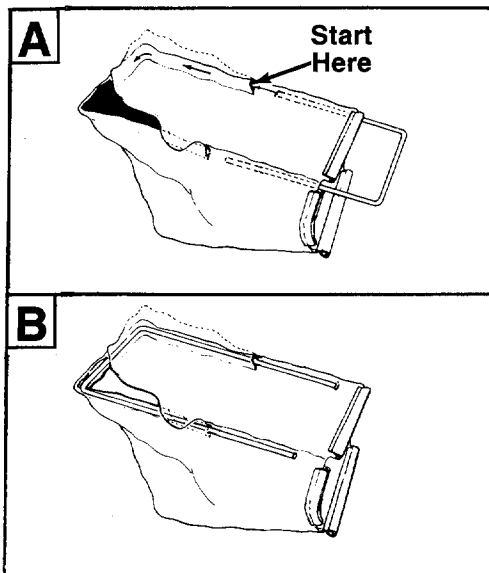


FIGURE 9.

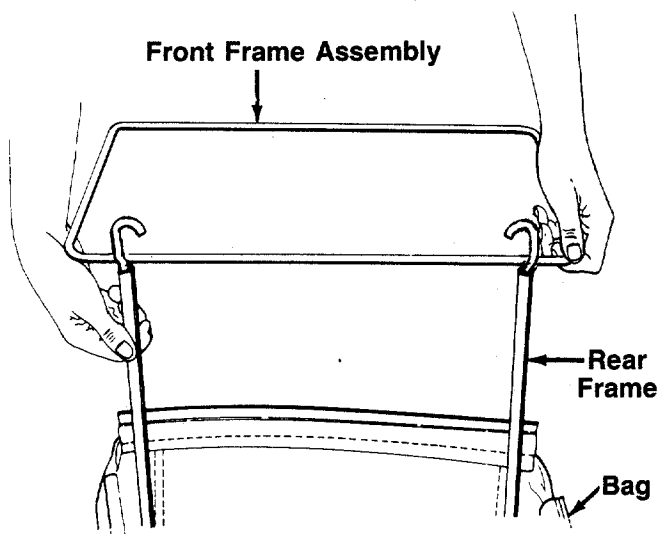


FIGURE 10.

3. Join the rear frame and front frame assembly as shown in figure 10.

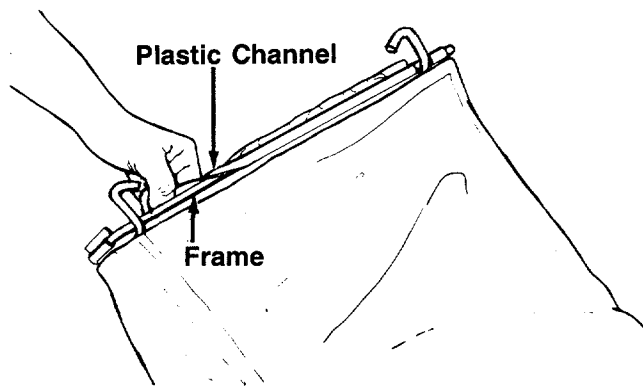


FIGURE 11.

4. Secure front of bag to frame by working the plastic channels on bag over frame. See figure 11.

5. Close the top of the bag by stretching the loose material over the end of the frame.



WARNING

Never operate the mower with the bag open.

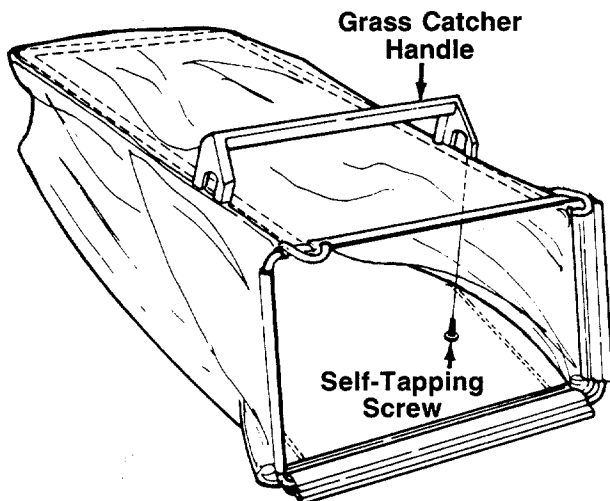


FIGURE 12.

6. Place the grass catcher handle in position on top of the grass bag and frame as shown in figure 12. Secure with four self-tapping screws.

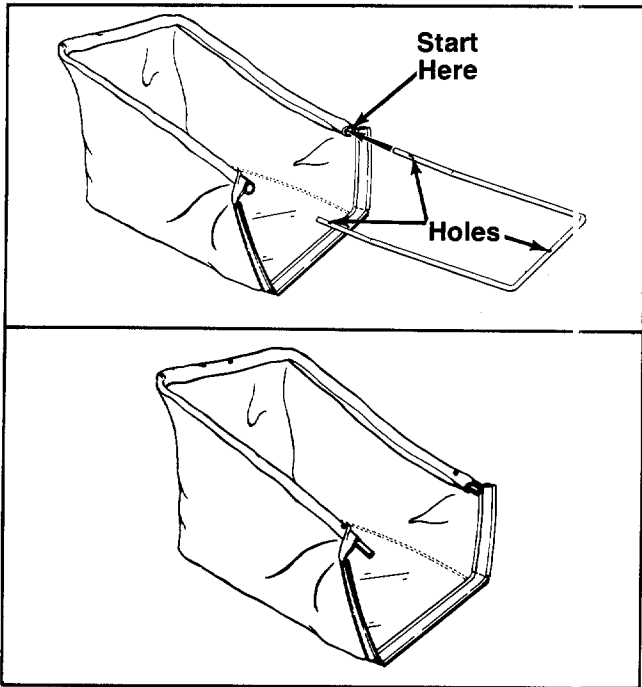


FIGURE 13.

Models 422R through 429R (Hardtop Grass Bags):

1. There are three holes in the rear frame. With the holes on the upper side as shown in figure 13, insert one end of the rear frame into the cloth channel on the edge of the grass catcher bag. Feed all the material on one side of the frame before working it around the frame. See figure 13.

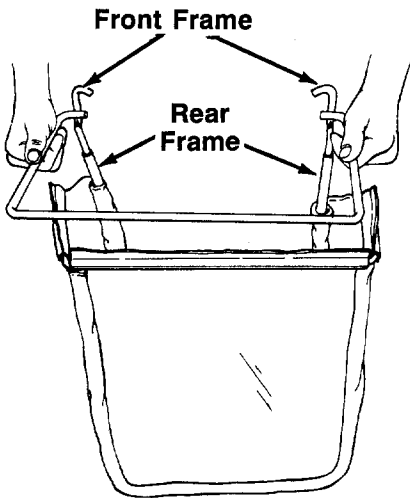


FIGURE 14.

2. Slide the ends of the front frame assembly into the ends of the rear frame as shown in figure 14.

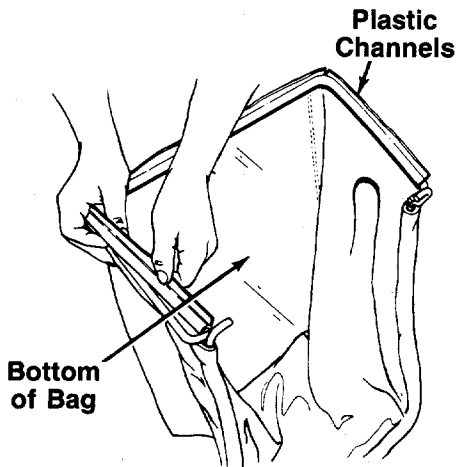


FIGURE 15.

3. Secure front of bag to front frame by slipping plastic channels on sides and bottom of bag over frame. See figure 15.



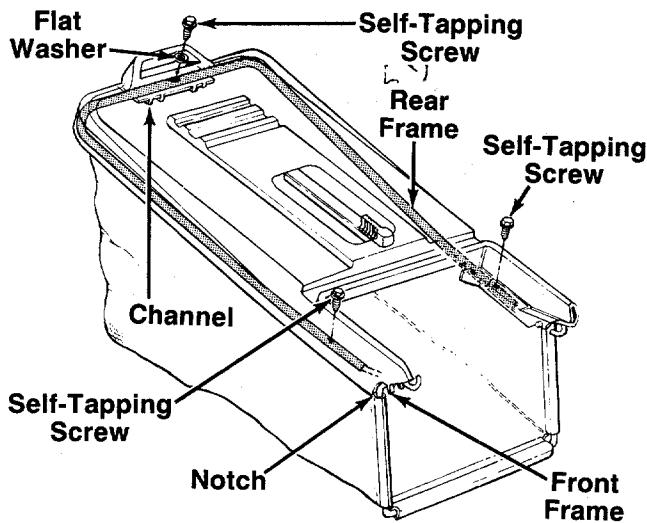


FIGURE 16.

4. Attach the hardtop cover to the grass catcher as follows. See figure 16.
 - a. Place the cover in position on top of the grass catcher. Press the rear frame into the channel on the rear of the cover (beneath the rear handle).
 - b. Slide the notches on the sides of the cover over the front catcher frame.
 - c. Attach rear of cover to frame using the flat washer and one self-tapping screw as shown in figure 16. Attach the sides of the cover to frame with the other two self-tapping screws.

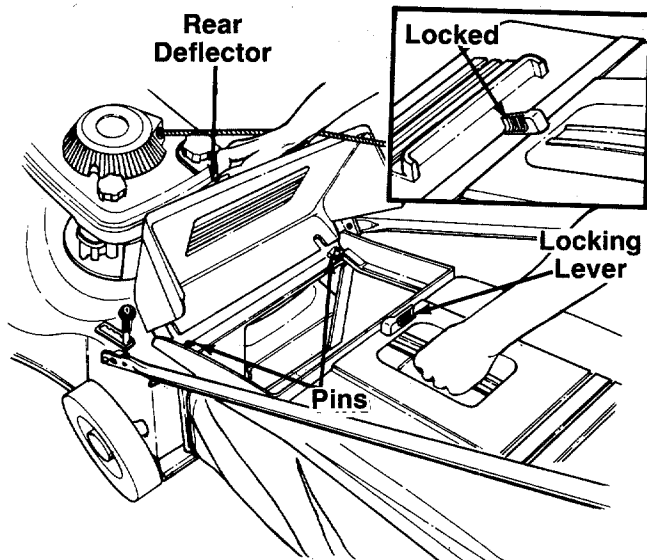


FIGURE 17.

ATTACHING BAG TO MOWER

Lift the rear deflector on the mower. Place the hooks on the grass catcher over the pins on the back of the mower. See figure 17. Release the rear deflector. Turn the locking lever to the locked position to secure the rear deflector. See figure 17, inset.

To remove the grass catcher, turn the locking lever to the unlocked position and lift the rear deflector on the mower. Lift the grass catcher up, over the pins on the back of the mower. Release the deflector.

CONTROLS

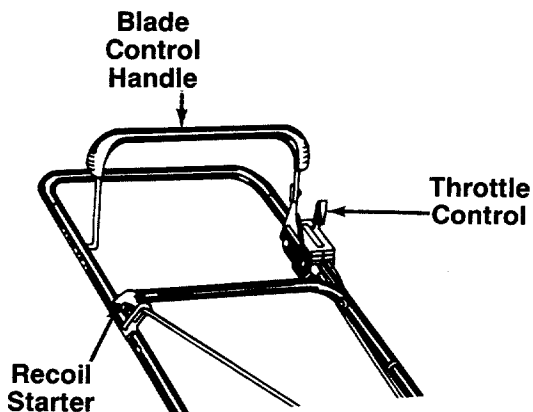


FIGURE 18.

BLADE CONTROL HANDLE

WARNING
 THIS CONTROL MECHANISM IS A
 SAFETY DEVICE NEVER ATTEMPT
 TO BYPASS ITS OPERATIONS

The blade control handle is located on the upper handle of the mower. See figure 18. The blade control handle must be depressed in order to operate the unit. Release the blade control handle to stop the engine and blade.



WARNING

The blade will be rotating whenever the engine is running.

THROTTLE CONTROL

The throttle control is located on the side of the upper handle. It is used to regulate the engine speed.



The throttle control cannot be used to stop the engine.

RECOIL STARTER

The recoil starter handle is attached to the handle. See figure 18. Stand behind the unit in the operating position to start the unit.

OPERATION



FIGURE 19.

Keep hands and feet away from the chute area on cutting deck. See figure 19.

NOTE

For shipping purposes your mower is set with the wheels in a low cutting height position. For best results raise the cutting position until it is determined which height is best for your lawn. See cutting height adjustment section.

GAS AND OIL FILL-UP

Service the engine with gasoline and oil as instructed in the separate engine manual packed with your mower. Read instructions carefully.



Never fill fuel tank indoors, with engine running or until the engine has been allowed to cool for at least two minutes after running.

TO START ENGINE AND ENGAGE BLADE

1. Attach spark plug wire to spark plug. If unit is equipped with a rubber boot over the end of the spark plug wire, make certain the metal loop on the end of the spark plug wire (inside the rubber boot) is fastened securely over the metal tip on the spark plug. See figure 20.

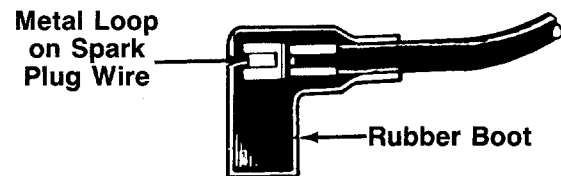


FIGURE 20.

2. Models 414R, 416R, 419R, 424R, 426R and 429R only: Open fuel shut-off valve. See figure 21.

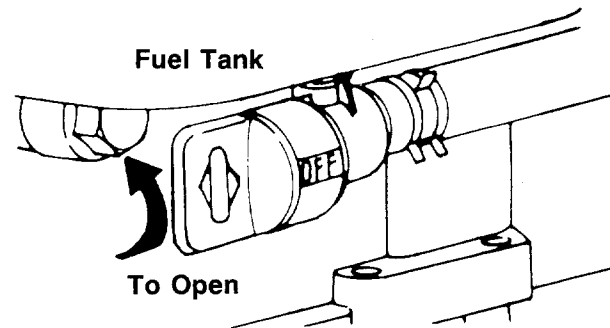


FIGURE 21A.—Models 416R, 419R, 426R & 429R

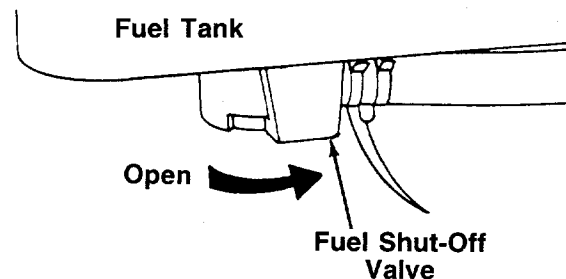


FIGURE 21B.—Models 414R and 424R

3. Models 414R, 416R, 419R, 424R, 426R and 429R: Move throttle control lever to CHOKE position.

All other units: Move the throttle control lever to FAST or START position.

4. **Tecumseh engines only:** Prime engine as instructed in the separate engine manual packed with your unit.
5. Standing behind the unit, depress the blade control handle and hold it against the upper handle as shown. See figure 22.
6. Grasp the recoil starter handle and pull back rapidly, extending rope fully. Return it slowly to the rope guide bolt.
7. After engine starts, move throttle control to desired engine speed. (On Models 416R, 419R, 526R or 429R, move the throttle control lever at least halfway back, then forward to obtain FAST position.)

→ NOTE

If any problems are encountered, refer to the Trouble Shooting Guide on page 19.

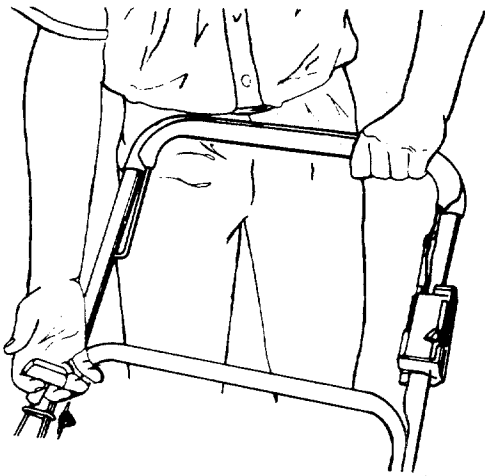


FIGURE 22.
TO STOP ENGINE AND BLADE

1. Release the blade control handle to stop the engine and blade.



WARNING

The blade continues to rotate for a few seconds after the engine is shut off.

2. Disconnect the spark plug wire and ground it against the engine to prevent accidental starting while equipment is unattended.

USING YOUR ROTARY MOWER



WARNING

Never operate your unit without either the rear deflector or entire grass catcher assembly in place.

Be sure that lawn is clear of stones, sticks, wire, or other objects which could damage lawn mower or engine. Such objects could be accidentally thrown by the mower in any direction and cause serious personal injury to the operator and others.

Operate a new engine at intermediate speeds and light load for the first few hours as you would a new automotive engine.

For the best results, do not cut wet grass because it tends to stick to the underside of the mower, preventing proper discharge of grass clippings, and could cause you to slip and fall. New grass, thick grass or wet grass may require a narrower cut. Blade speed should be adjusted to the condition of the lawn.

For best results, cut off one-third or less of the total length of the grass. Lawn should be cut in the fall as long as there is growth.

This mower is designed to be operated at full throttle to give you the best cut and do the most effective job of bagging the cut grass.

→ IMPORTANT

If you strike a foreign object, stop the engine. Remove wire from spark plug, thoroughly inspect the mower for any damage, and repair the damage before restarting and operating the mower. Extensive vibration of the mower during operation is an indication of damage. The unit should be promptly inspected and repaired.

ADJUSTMENTS



WARNING

Do not at any time make any adjustment to lawn mower without first stopping engine and disconnecting spark plug wire.

CUTTING HEIGHT ADJUSTMENT

An adjusting plate and thumb lever at each wheel position provides cutting height adjustment. Each adjusting plate has nine height positions. Height of cut will be changed when the thumb lever is moved from one hole to another. Simply depress the lever towards wheel and move wheel and lever assembly to desired position. All wheels must be placed in the same relative position. See figure 23.

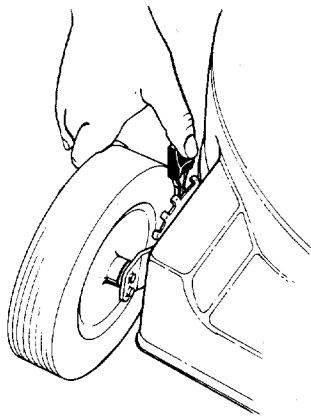


FIGURE 23.

THROTTLE

The throttle control wire assembly can be adjusted if necessary. Loosen the screw on the cable clamp shown in figure 6. Adjust as instructed in steps 1 and 4 of "Attaching the Throttle Control Cable" in Assembly Instructions.

CARBURETOR ADJUSTMENTS



WARNING

If any adjustments are made to the engine while the engine is running (e.g. carburetor), keep clear of all moving parts. Be careful of heated surfaces and muffler.

Minor carburetor adjustments may be required to compensate for differences in fuel, temperature, altitude and load. To adjust carburetor, refer to the separate engine manual packed with your mower.

NOTE

A dirty air cleaner will cause an engine to run rough. Be certain air cleaner is clean and attached to the carburetor before adjusting carburetor. Refer to the separate engine manual.

LUBRICATION



WARNING

Always stop engine and disconnect spark plug wire before cleaning, lubricating or doing any kind of work on lawn mower.

Blade Control—Lubricate the pivot points on the blade control handle and the brake cable at least once a season with light oil. See figure 24. The blade control must operate freely in both directions.

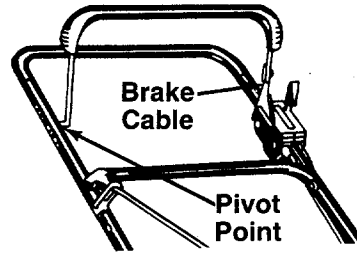


FIGURE 24.

Discharge Chute Deflector—The torsion spring and pivot point should be lubricated periodically with light oil to prevent any rust or binding. Deflector must work freely.

Wheels—Mower may be provided with ball bearing wheels. Lubricate at least once a season with light oil. Also, if the wheels are removed for any reason, lubricate the surface of the axle bolt and the inner surface of the wheel with light oil. A 4 oz. plastic bottle of light oil lubricant is available. Order part number 737-0170. Engine oil may also be used.

Engine—Follow engine manual for lubrication instructions.

Throttle—Periodically lubricate throttle control lever and throttle wire assembly with a few drops of light oil for ease of operation.

MAINTENANCE



WARNING

Be sure to disconnect and ground the spark plug wire before performing any repairs or maintenance.

NOTE

When tipping the unit, empty the fuel tank and keep engine spark plug side up.

TROUBLE SHOOTING

Refer to page 19 of this manual for trouble shooting information.

CUTTING BLADE

When removing the cutting blade for sharpening or replacement protect hands by using heavy gloves or a rag to grasp the cutting blade. Remove the bolt and blade bell washer which hold the blade and adapter to the engine crankshaft. Remove the blade and adapter from the crankshaft.



CAUTION

Periodically inspect the blade adapter for cracks, especially if you strike a foreign object. Replace when necessary.

When sharpening the blade, follow the original angle of grind as a guide. It is **extremely important** that each cutting edge receives an equal amount of grinding to prevent an unbalanced blade. An unbalanced blade will cause excessive vibration when rotating at high speeds, may cause damage to the mower and could break, causing personal injury.

The blade can be tested by balancing it on a round shaft screwdriver. Remove metal from the heavy side until it balances evenly.

Before reassembling the blade and the blade adapter to the unit, lubricate the engine crankshaft, the inner surface of the blade adapter and the center bolt with light oil. A 4 oz. plastic bottle of light oil lubricant is available. Order part number 737-0170. Engine oil may also be used.

When replacing the blade, be sure to install the blade with the side of the blade marked "Bottom" (or with part number) facing the ground when the mower is in the operating position.

Blade Mounting Torque

Center Bolt 375 in. lb. min., 450 in. lb. max.

To insure safe operation of your unit, **all** nuts and bolts must be checked periodically for correct tightness.

DECK

The underside of mower deck should be cleaned after each use to prevent a buildup of grass clippings, leaves, dirt or other matter. If this debris is allowed to accumulate, it will invite rust and corrosion, and may cause an uneven discharge of grass clippings at the next cutting.

The deck may be cleaned by tilting the mower and scraping clean with a suitable tool (make certain the spark plug wire is disconnected).

ENGINE

Refer to the separate engine manual for all engine maintenance instructions.

Maintain **engine oil** as instructed in the separate engine manual packed with your unit. Read and follow instructions carefully.

Service **air cleaner** every 25 hours under normal conditions. Clean every few hours under extremely dusty conditions. Poor engine performance and flooding usually indicates that the air cleaner should be serviced. To service the air cleaner, refer to the separate engine manual packed with your unit.

The **spark plug** should be cleaned and the gap reset once a season. Spark plug replacement is recommended at the start of each mowing season; check engine manual for correct plug type and gap specifications.

Clean the engine regularly with a cloth or brush. Keep the cooling system (blower housing area) clean to permit proper air circulation which is essential to engine performance and life. Be certain to remove all grass, dirt and combustible debris from muffler area.

OFF-SEASON STORAGE

The following steps should be taken to prepare lawn mower for storage.

1. Clean and lubricate mower thoroughly as described in the lubrication instructions.
2. Refer to engine manual for correct engine storage instructions.
3. Coat mower's cutting blade with chassis grease to prevent rusting.
4. Store mower in a dry, clean area.

➡ NOTE

When storing any type of power equipment in an unventilated or metal storage shed, care should be taken to rustproof the equipment. Using a light oil or silicone, coat the equipment, especially cables and all moving parts.

HANDLE STORAGE

The handle may be placed in an upright position for storage. Move hairpin clips to outer hole on weld pins. See figure 1. Press outward on the bottom of the lower handle and push forward. The handle will lock in this position.

To place the handle in the operating position, remove the starter rope from the rope guide bolt. Grasp the lower handle at the bottom, press outward slightly and tip the handle backward. Place the hairpin clips in the inner holes. With the spark plug wire disconnected and grounded, depress the blade control handle and pull the starter rope out from the engine. Slip the starter rope into the rope guide bolt.

 **NOTE**

The use of any accessory on this Rotary Mower other than those manufactured by the mower manufacturer is **not** recommended.



WARNING

1. **DO NOT** operate the mower without the entire grass catcher or chute deflector in place.
2. **DO NOT** operate the mower without the protective shield on the rear of the deck in place.

 **NOTE**

Under normal usage bag material is subject to wear and should be checked periodically. Be sure any replacement bag complies with the mower manufacturer's recommendations.

For replacement bags, use only factory authorized replacement bag.

Trouble Shooting Guide

Trouble	Possible Cause(s)	Corrective Action
Engine fails to start	<ol style="list-style-type: none"> 1. Blade control handle disengaged. 2. Spark plug wire disconnected. 3. Throttle control lever not in CHOKE or START position. 4. Fuel shut-off valve closed (if so equipped). 5. Fuel tank empty, or stale fuel. 6. Blocked fuel line. 7. Faulty spark plug. 8. Engine flooded. 	<ol style="list-style-type: none"> 1. Engage blade control handle. 2. Connect wire to spark plug. 3. Move throttle lever to CHOKE or START position. 4. Open fuel shut-off valve. 5. Fill tank with clean, fresh gasoline. 6. Clean fuel line. 7. Clean, adjust gap or replace. 8. Remove spark plug, dry the plug, and crank engine with plug removed and throttle in off position. Replace spark plug, connect wire and resume starting procedures.
Engine runs erratic	<ol style="list-style-type: none"> 1. Unit running in CHOKE or START position. 2. Spark plug wire loose. 3. Blocked fuel line or stale fuel. 4. Vent in gas cap plugged. 5. Water or dirt in fuel system. 6. Dirty air cleaner. 7. Carburetor out of adjustment. 	<ol style="list-style-type: none"> 1. Move throttle lever to FAST position. 2. Connect and tighten spark plug wire. 3. Clean fuel line; fill tank with clean, fresh gasoline. 4. Clear vent. 5. Drain fuel tank. Refill with fresh fuel. 6. Clean air cleaner.† 7. Adjust carburetor.†
Engine overheats	<ol style="list-style-type: none"> 1. Engine oil level low. 2. Air flow restricted. 3. Carburetor not adjusted properly. 	<ol style="list-style-type: none"> 1. Fill crankcase with proper oil. 2. Remove blower housing and clean.† 3. Adjust carburetor.†
Occasional skip (hesitates) at high speed	<ol style="list-style-type: none"> 1. Carburetor idle speed too slow. 2. Spark plug gap too close. 3. Carburetor idle mixture adjustment improperly set. 	<ol style="list-style-type: none"> 1. Adjust carburetor.† 2. Adjust gap to .030". 3. Adjust carburetor.†
Idles poorly	<ol style="list-style-type: none"> 1. Spark plug fouled, faulty or gap too wide. 2. Carburetor improperly adjusted. 3. Dirty air cleaner. 	<ol style="list-style-type: none"> 1. Reset gap to .030" or replace spark plug. 2. Adjust carburetor.† 3. Clean air cleaner.†
Excessive vibration	<ol style="list-style-type: none"> 1. Cutting blade loose or unbalanced. 2. Bent cutting blade. 	<ol style="list-style-type: none"> 1. Tighten blade and adapter. Balance blade. 2. Replace blade.
Mower will not discharge grass	<ol style="list-style-type: none"> 1. Engine speed too low. 2. Wet grass. 3. Excessively high grass. 	<ol style="list-style-type: none"> 1. Set throttle between 3/4 and full throttle. 2. Do not mow when grass is wet; wait until later to cut. 3. Mow once at a high cutting height, then mow again at desired height or make a narrower cutting swath (1/2 width).
Uneven cut	<ol style="list-style-type: none"> 1. Wheels not positioned correctly. 2. Dull blade. 	<ol style="list-style-type: none"> 1. Place all four wheels in same height position. 2. Sharpen or replace blade.

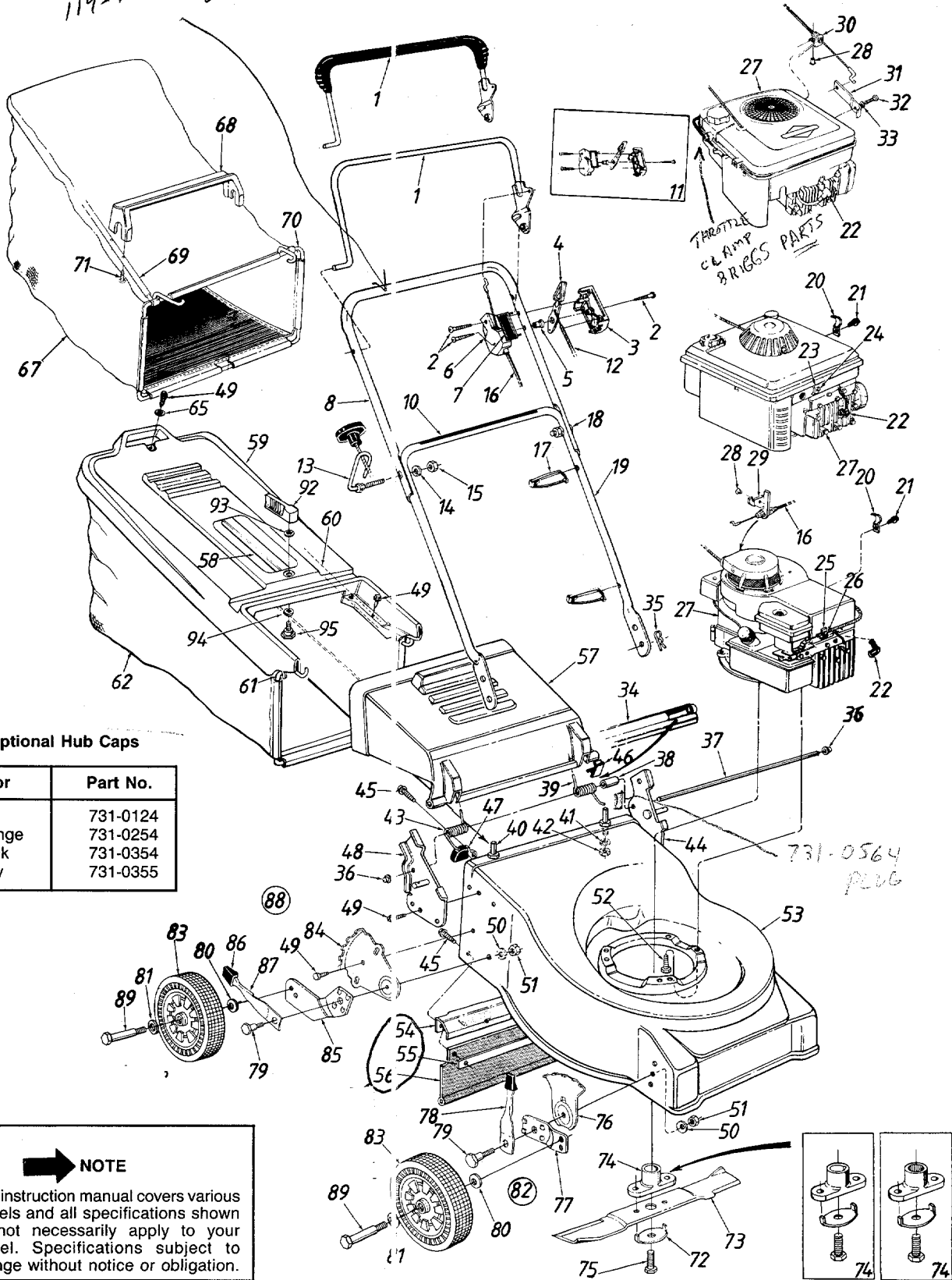
†Refer to separate engine manual packed with your unit.

Note: For repairs beyond the minor adjustments listed above, contact your local authorized service dealer.

Models 412R thru 429R

ATTACHING THROTTLE WIRE TO LEVER
 Models 412R, 416R, 419R, 422R, 426R
 and 429R: Use upper hole in lever as
 shown. All Other Models: Use lower hole
 in lever.

*119-424R019 00998
 WRONG UPPER HANDLES*



Optional Hub Caps

Color	Part No.
Red	731-0124
Orange	731-0254
Black	731-0354
Gray	731-0355

NOTE
 This instruction manual covers various models and all specifications shown do not necessarily apply to your model. Specifications subject to change without notice or obligation.

Models 412R thru 429R

PARTS LIST FOR MODELS 412R THRU 429R ROTARY MOWERS

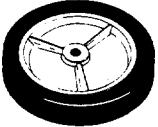
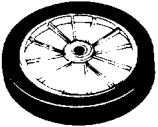
REF. NO.	PART NO.	CODE	DESCRIPTION	REF. NO.	PART NO.	CODE	DESCRIPTION
1	14321		Control Handle Ass'y. (Std.)	38	750-0566		Spacer .255" I.D.
	731-0609		Control Handle Ass'y. (Deluxe)	39	732-0577A	N	Torsion Spring—L.H.
2	710-0796		Truss Mach. B-Tap Scr. #12 x 1.5" Lg.	40	711-0805		Shld. Pin 3/8-24 x 1.43" Lg.
				41	736-0169		L-Wash. 3/8" I.D.*
3	731-0817		Control Panel Half	42	712-0711		Hex Jam Nut 3/8-24 Thd.
4	731-0528A	N	Throttle Control Lever Use 731-0972	43	732-0578A	N	Torsion Spring—R.H.
5	731-0524		Control Disc Pin	44	12297		Handle Brkt. Ass'y.—L.H.
6	731-0816		Clutch Panel Half	45	710-1017		Torx Mach. AB-Tap Scr. 1/4 x .62" Lg.
7	777-5774		Control Label—Throttle				
8	749-0438A	N	Upper Handle (Painted)	46	731-0970A	N	Deflector Plug
	749-0436A	N	Upper Handle (Chrome)	47	731-0931		Corner Plug
10	777-5776		Instruction Label—Handle	48	12296		Handle Brkt. Ass'y.—R.H.
11	753-0430A	N	Control Housing Comp.	49	710-0892		Hex L-Wash. AB-Tap Scr. 1/4 x .62" Lg.
12	746-0672		Throttle Wire—58" Lg. (412R, 416R, 419R, 422R, 426R, 429R)	50	736-0356		Bell-Wash. .39" I.D. x 1.38" O.D.
	746-0632		Throttle Wire—53" Lg. (414R, 417R, 424R, 427R)	51	712-0798		Hex Nut 3/8-16 Thd.*
	746-0640		Throttle Wire—45" Lg. (413R, 415R, 418R, 423R, 425R, 428R)	52	710-0654A	N	Hex L-Wash. Hd. Scr. 3/8-16 x 1" Lg.
13	710-0842B	N	Rope Guide Bolt	53	16998	638	21" Deck Ass'y.
14	736-0119		L-Wash. 5/16" I.D.*	54	17014		Chute Baffle
15	712-0267		Hex Nut 5/16-18 Thd.*	55	17003		Retaining Strip 14.25" Lg.
16	746-0477A	N	Control Cable—43" Lg. (412R, 416R, 419R, 422R, 426R, 429R)	56	731-0669		Rear Flap 17.30" Lg.
	746-0480A	N	Control Cable—46" Lg. (414R, 417R, 424R, 427R)	57	731-0859		Rear Chute Deflector
	746-0479A	N	Control Cable—55" Lg. (413R, 415R, 418R, 423R, 425R, 428R)	58	731-0856		Hardtop Handle††
17	726-0240		Cable Tie	59	731-0857A	N	Hardtop Bag Cover††
18	710-0671		Curved Carriage Bolt 5/16-18 x 1.38" Lg.	60	749-0736A	N	Rear Catcher Frame††
19	749-0504C	N	Lower Handle (Painted)	61	747-0693B	N	Front Catcher Frame††
	749-0505C	N	Lower Handle (Chrome)	62	764-0252		Grass Bag††
20	12894A	N	Cable Clamp (B&S)	65	736-0463		Fl-Wash. .281" I.D.††
21	710-0429		Hex B-Tap Scr. #10 x .38" Lg. (B&S)	67	764-0246		Grass Bag†
22	735-0639		Spark Plug Boot	68	731-0801		Bag Handle†
23	751-0463		Cable Clamp (416R, 419R, 426R, 429R)	69	749-0764		Rear Catcher Frame†
24	710-0436		Hex B-Tap Scr. #10 x .62" Lg. (416R, 419R, 426R, 429R)	70	747-0700		Front Catcher Frame†
25	751-0369		Cable Clamp (412R, 422R)	71	710-1025		Hex AB-Tap Scr. #12 x 1.25" Lg.†
26	710-0227		Hex AB-Tap Scr. #8 x .5" Lg. (412R, 422R)	72	736-0415		Blade Bell-Wash. .44" I.D. x 2.38"
27	—		Engine	73	742-0306		21" Blade
28	728-0171		Pop Rivet .156" Dia. (B&S)	74	753-0462		Blade Adapter Kit (Keyed)
29	14924		Cable Bracket (B&S)		753-0463		Blade Adapter Kit (Splined)
30	16703		Cable Mtg. Brkt. (414R, 424R)	75	710-1044	N	Hex Bolt 3/8-24 x 1.5" Lg. (Used w/Keyed Adapter)
31	16704		Mounting Brkt. (414R, 424R)		710-0757		Hex Bolt 7/16-20 x 1.5" Lg. (Used w/Splined Adapter)
32	710-0473		Truss Mach. Scr. #10 x .5" Lg. (414R, 424R)	76	15261A	N	Height Adj. Plate
33	736-0722		L-Wash. #10 I.D. (414R, 424R)	77	15262B	N	Pivot Bar
34	731-0858		Seal—Extrusion	78	14832		Spring Lever Ass'y. w/Knob
35	714-0104		Int. Cotter Pin 5/16" Dia.	79	738-0507B	N	Shld. Bolt .50" Dia. x .357"
36	726-0106		Cap Speed Nut	80	736-0105		Bell-Wash. .38" I.D. x .88" O.D.
37	747-0698		Hinge Pin 17.75" Lg.	81	736-0160		Fl-Wash. .531" I.D. (Optional)
				82	14578		Height Adj. Ass'y. Comp.—R.H.
					14579		Height Adj. Ass'y. Comp.—L.H. (Not Shown)
				83	**		Wheel Ass'y. Comp.
				84	14764C	N	Index Plate
				85	14765		Pivot Bar—R.H.
					14766		Pivot Bar—L.H. (Not Shown)

PARTS LIST FOR MODELS 412 THRU 429R ROTARY MOWERS (CONTINUED)

REF. NO.	PART NO.	CC DE	DESCRIPTION
86	720-0190	N	Spring Lever Knob
87	732-0417A		Spring Lever
88	16106		Rear Height Adj. Ass'y. Comp.—R.H.
	16107		Rear Height Adj. Ass'y. Comp.—L.H. (Not Shown)
89	**		Axle Bolt
92	720-0224		Grass Catcher Locking Knob
93	736-0498		Internal L-Wash. 1/4" I.D.
94	736-0286		Wave Washer 3/8" I.D.
95	738-0137		Shld. Bolt .342" Dia. x .268"

†Models 412R thru 419R Only.
 ††Models 422R thru 429R Only.

****WHEEL CHART**

Plastic Rim		Steel Rim	
		Tread Type	Bearings
			Ball Brgs. 3/8" I.D.-741-0267, 1/2" I.D.-741-0484, Spacer-750-0434
		Waffle	734-0645 (Use Axle Bolt 710-1020)
		"T" Tread	734-1259 (Use Axle Bolt 710-1020)
		"S" Wave	734-1260 (Use Axle Bolt 738-0102)
* 734-0841 734-1162A (Use Axle Bolt 738-0102)			734-0812 (741-0262 Bearings) (Use Axle Bolt 738-0102)*
* <u>734-0894 STEEL</u> <u>WAFFLE</u>			734-1513 (Hub Caps 734-0975A) (Use Axle Bolt 738-0102)

HAS HOLES

NO HOLES IN RIM FOR OLD STYLE HUB CAPS

*For faster service obtain standard nuts, bolts and washers locally. If these items cannot be obtained locally, order by part number and size as shown on parts list.

CODE: N notates a **new part** (not previously existing). A three digit number is the **color code** (use if color or finish is important when ordering parts). See chart below. [i.e., (part no.)-638 for Red Finish].

NOTE: The engine is not under warranty by the mower manufacturer... If repairs or service is needed on the engine, please contact your nearest authorized engine service outlet. Check the "Yellow Pages" of your telephone book under "Engines—Gasoline."



Color Codes

460—Green Flake	630—Blue
483—Charcoal Grey	635—Grey
498—Yellow	636—White
499—Beige	637—Black
606—Orange	638—Red
629—Silver Flake	640—Green



PARTS INFORMATION

POWER EQUIPMENT PARTS AND SERVICE

Parts and service are available through the authorized service firms listed below. All orders should specify the model number of your unit, part numbers, description of parts and the quantity of each part required.

NOTE: If any parts are found to be missing or defective upon assembly of this unit, write to advise the factory so that immediate replacement can be made.

ALABAMA	BIRMINGHAM
Auto Electric & Carburetor Co.	2625 4th Ave. S. Box 2466 35233
ARKANSAS	NORTH LITTLE ROCK
Sutton's Lawn Mower Shop	5301 Roundtop Drive Box 368, Rt. 4 72117
CALIFORNIA	PORTERVILLE
Billious	75 North D Street 93257
COLORADO	DENVER
Spitzer Industrial Products Co.	6601 N. Washington St. 80229
FLORIDA	JACKSONVILLE
Radco Distributors	4909 Victor St. Box 5459 32207
	HIALEAH
Small Eng. Dist.	7995 W. 26th Court 33016
GEORGIA	EAST POINT
East Point Cycle & Key Inc.	2834 Church St. 30344
ILLINOIS	LYONS
Keen Edge Co.	8615 Ogden Ave. 60534
INDIANA	ELKHART
Parts & Sales Inc.	2101 Industrial Pkwy. Box 277 46516
IOWA	DUBUQUE
Power Lawn & Garden Equip.	2551 J.F. Kennedy 52001
LOUISIANA	LAFAYETTE
Jourdan Engine Co.	214 W. Vermillion St. Box 3503 70501
MARYLAND	TAKOMA PARK
Center Supply Co.	6867 New Hampshire Ave. 20912
MASSACHUSETTS	SPRINGFIELD
Morton B. Collins Co.	300 Birnie Ave. 01107
MICHIGAN	MOUNT CLEMENS
Power Equipment Dist.	340 Hubbard 48043
MINNESOTA	PLYMOUTH
Hance Distributing Inc.	12795 16th Ave. North 55441
MISSOURI	EARTH CITY
Oscar Wilson Engine & Parts	4159 Shoreline Dr. 63045
	KANSAS CITY
Automotive Equip. Service	3117 Holmes St. 64109
NEW JERSEY	ALLOWAY
Piersons	Canal St., Box 494 08001

BRIGGS AND STRATTON, TECUMSEH AND PEERLESS PARTS AND SERVICE

Briggs & Stratton, Tecumseh and Peerless parts and service should be handled by your nearest authorized engine service firm. Check the yellow pages of your telephone directory under the listing **Engines—Gasoline**, Briggs & Stratton or Tecumseh Lauson.

NEW YORK	CARTHAGE
Gamble Dist., Inc.	West End Ave. Box 389 13619
NORTH CAROLINA	GREENSBORO
Dixie Sales Company	335 N. Green Box 1408 27402
OHIO	CARROLL
Stebe's Mid-State Mower Supply	Box 366, 71 High St. 43112
	CLEVELAND
Bleckrie, Inc.	7900 Lorain Ave. 44102
National Central	WADSWORTH
Burton Supply Co.	687 Seville Rd. 44281
	YOUNGSTOWN
PENNSYLVANIA	1301 Logan Ave. Box 929 44501
EECO Inc.	HARRISBURG
Thompson Rubber Co.	4021 N. 6th St. 17110
Bluemont Co.	WILLOW GROVE
Frank Roberts & Sons	850 Davisville Rd. 19090
	PITTSBURGH
Scranton Auto Ignition Co.	11101 Frankstown Rd. 15235
TENNESSEE	PUNXSUTAWNEY
Ace Distributors	R.D. 2 15767
American Sales & Service, Inc.	SCRANTON
TEXAS	1133-35 Wyoming Ave. 18509
Marr Brothers, Inc.	KNOXVILLE
	2103 Magnolia 37917
Engine House Inc.	MEMPHIS
UTAH	3035-43 Bellbrook 38116
Powered Products	DALLAS
VIRGINIA	423 E. Jefferson 75203
RBI Corp.	SAN ANTONIO
WASHINGTON	4918 Golden Quail 78249
Equip. Northwest	SALT LAKE CITY
WISCONSIN	1661 N. Beck St. 84116
Wisconsin Magneto Inc.	ASHLAND
PUERTO RICO	101 Cedar Ridge Dr. 23005
CIE & Associates, Inc.	SEATTLE
	1410 14th Ave. 98122
	MILWAUKEE
	4727 N. Teutonia St. 53209
	AGUADILLA
	Box 427 Ramey Station 00604

WARRANTY PARTS AND SERVICE POLICY

(0588)

The purpose of warranty is to protect the customer from defects in workmanship and materials, defects which are NOT detected at the time of manufacture. It does not provide for the unlimited and unrestricted replacement of parts. Use and maintenance are the responsibility of the customer. The manufacturer cannot assume responsibility for conditions over which it has no control. Simply put, if it's the manufacturer's fault, it's the manufacturer's responsibility; if it's the customer's fault, it's the customer's responsibility.

CLAIMS AGAINST THE MANUFACTURER'S WARRANTY INCLUDES:

1. Replacement of Missing Parts on new equipment.
2. Replacement of Defective Parts within the warranty period.
3. Repair of Defects within the warranty period.

All claims MUST be substantiated with the following information:

1. Model Number, Serial Number and/or Data Code of unit involved.
2. Date unit was purchased or first put into service.
3. Date of Failure.
4. Nature of Failure.