



IMI CORNELIUS INC.  
One Cornelius Place  
Anoka, MN. 55303-6234  
Telephone 1-800-238-3600  
Facsimile 1-800-258-0255

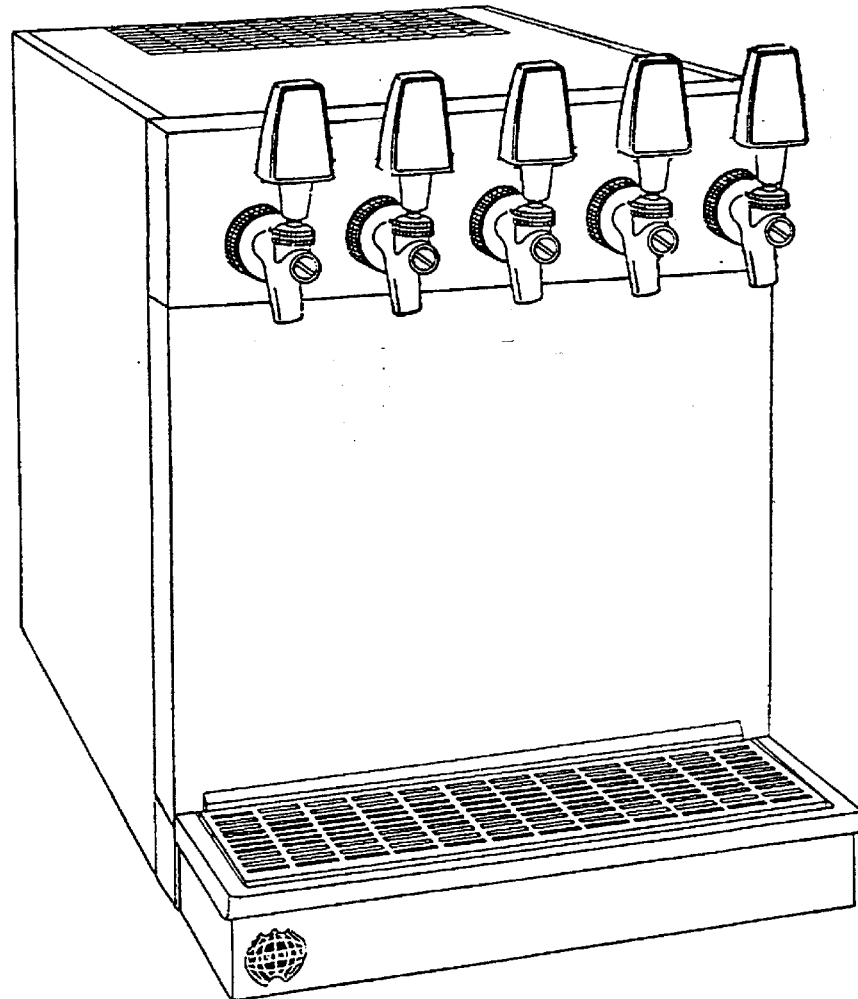
[www.cornelius.com](http://www.cornelius.com)

## ILLUSTRATED PARTS LIST

---

### CTP-20 PRE-MIX DISPENSER

MODEL NO.





IMI CORNELIUS INC.  
One Cornelius Place  
Anoka, MN. 55303-6234  
Telephone 1-800-238-3600  
Facsimile 1-800-258-0255

www.cornelius.com

## ILLUSTRATED PARTS LIST

### CTP-20 PRE-MIX DISPENSER

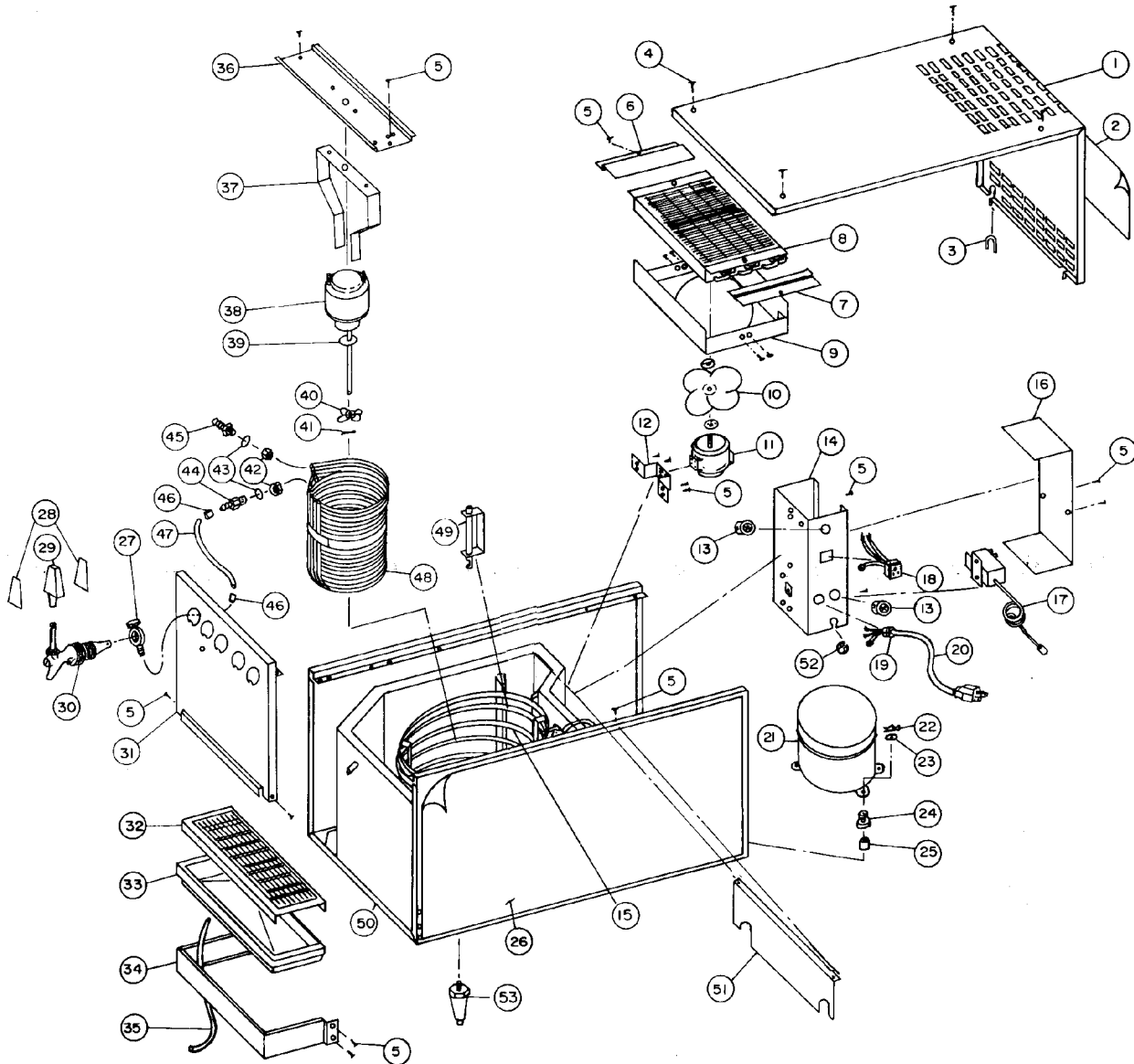


FIGURE 1. GENERAL ASSEMBLY



IMI CORNELIUS INC.  
 One Cornelius Place  
 Anoka, MN. 55303-6234  
 Telephone 1-800-238-3600  
 Facsimile 1-800-258-0255

www.cornelius.com

## ILLUSTRATED PARTS LIST

### CTP-20 PRE-MIX DISPENSER

| Item No. | Part No.  | Name  |
|----------|---|---|
| 1        | 230395  | Grille Hood (No Longer Available)   |
| 2        | 550136  | Decal Coca Cola Back  |
| 3        | 550195  | Grommet Strip   |
| 4        | 400284  | Screw No. 6 PH B 20   |
| 5        | 400288  | Screw MA 6-32 X 1/4 TAPR  |
| 6        | 230082  | Brkt LH Condenser Support (No Longer Available)   |
| 7        | 230083  | Brkt RH Condenser Support   |
| 8        | 550088  | Cond Coil   |
| 9        | 230509  | Shroud Fan Small  |
| 10       | 350017  | Blade Fan   |
| 11       | 350095<br>350096  | Motor Fan 120V 60HZ<br>Motor Fan 230V 50/60HZ   |
| 12       | 230113  | Brkt Mtr Fan  |
| 13       | 320389000   | Bushing Snap  |
| 14       | 230280  | Box Only Elec   |
| 15       | 260151  | Evap Coil Assy  |
| 16       | 230233  | Cover Elec Box  |
| 17       | 186074001   | Control Ice Bank  |
| 18       | 350137  | Receptacle Single   |
| 19       | 186564000   | Strain Relief   |
| 20       | 350126  | Cord Pwr  |
| 21       | 260969<br>260967<br>26972<br>350148<br>350151<br>350152<br>350108<br>350106<br>350107 | Kit Comp 1/3HP 120V 60HZ<br>Kit Comp 1/3HP 230V 50HZ<br>Comp 1/3HP 240V 60HZ<br>Relay 1/3HP 120V 60HZ<br>Relay 1/3HP 230V 50HZ<br>Relay 1/3HP 240V 60HZ<br>Overld 1/3HP 120V 60HZ<br>Overld 1/3HP 230V 50HZ<br>Overld 1/3HP 240V 60HZ |
| 22       | 398034400   | Pin Hitch   |
| 23       | 20223010  | Washer Ft .489 I.D.   |
| 24       | 189723000   | Grommet Cmpr  |
| 25       | 350158  | Sleeve Compressor   |
| 26       | 550135  | Decal Coca Cola Side  |
| 27       | 400285<br>700204<br>151202039   | Screw Yoke Becker (No Longer Available)<br>Val Yk Shnk<br>Val Hd Pre-Mix Self Closing   |

| Item No. | Part No.                   | Name   |
|----------|----------------------------|--|
| 28       |                            | Flavor Tab (Specify Flavor and Valve)  |
| 29       | 700196                     | Knob Asy   |
| 30       | 700202                     | Val Prmx 7/16-20 Becker  |
| 31       | 230283<br>230703<br>230707 | Front Valve 4-FI (No Longer Available)<br>Front Valve 5-FI (No Longer Available)<br>Front Valve 6-FI (No Longer Available) |
| 32       | 550173                     | Cup Rest   |
| 33       | 550172                     | Drip Tray  |
| 34       | 230586                     | Tray Skirt   |
| 35       | 650036                     | Tubg Drain   |
| 36       | 230041                     | Brkt Mtr Agit  |
| 37       | 230304                     | Heat Shrink  |
| 38       | 350082<br>350083           | Motor Agit 5W 120V 60HZ<br>Motor Agit 25W 230V 50HZ  |
| 39       | 400411                     | Gasket   |
| 40       | 350007<br>350008           | Blade Agitator 120V 60HZ<br>Blade Agitator 230V 50HZ   |
| 41       | 186610000                  | Pin Sprg   |
| 42       | 400244                     | Nut Pack 7/16-20   |
| 43       | 31525002                   | O-Ring .176 I.D.   |
| 44       |                            | Item Not Used  |
| 45       | 77080101                   | Fitg Barb 1/4 x 7/16-20  |
| 46       | 318858000                  | Clamp  |
| 47       | 650054                     | Tube Poly .156 I.D. (Sold by the Foot)   |
| 48       | 260261<br>260262           | Coil Set of 5 (No Longer Available)<br>Coil Set of 6 (No Longer Available)   |
| 49       | 230150                     | Holder Cntl Temp   |
| 50       | 260066                     | Cabinet  |
| 51       | 230484                     | Panel Air Stop (No Longer Available)   |
| 52       | 550035                     | Bushing  |
| 53       | 500134                     | Leg  |

Compressor Ass'y include: Compressor, Relay, Overload, Grommets and Sleeves.

