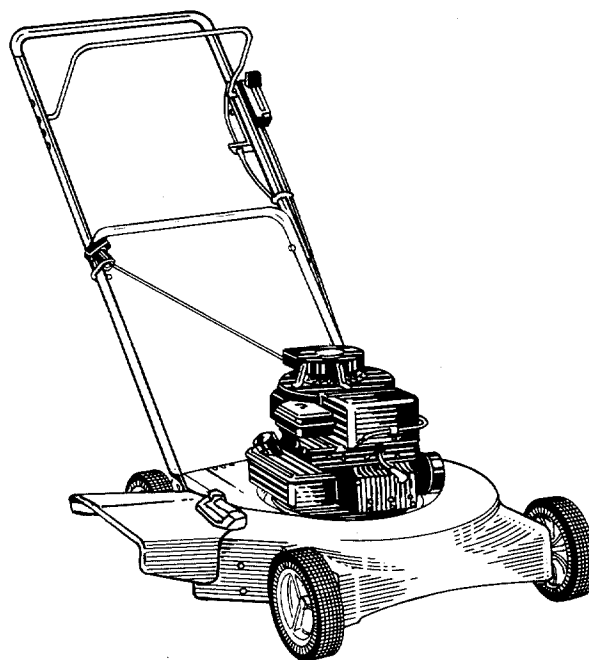


\$1.00

OWNER'S GUIDE

ASSEMBLY • OPERATION • MAINTENANCE • PARTS



(Model 050R Shown) 190-086-000

**20" and 22"
ROTARY
MOWERS**

Model Numbers

119-050R000
119-051R000
119-052R000
119-053R000
119-060R000
119-061R000
119-062R000
119-063R000

Important: Read Safety Rules and Instructions Carefully

INDEX

Slope Gauge	3
Contents of Hardware Pack	4
Safe Operation	5
Assembly	6
Controls	9
Operation	10
Adjustments	11
Lubrication	11
Maintenance	12
Off-Season Storage	12
Trouble Shooting Guide	13
Repair Parts	14, 15
Parts Information	Back Cover

Dear Customer,

So often throughout the year we are all in a rush to meet our daily obligations.

However, we at MTD Products Inc are taking a quick moment out to say...

"Thank you for your business."

Sincerely,
MTD PRODUCTS INC



INSTRUCTIONS GIVEN WITH THIS SYMBOL ARE FOR PERSONAL SAFETY. BE SURE TO FOLLOW THEM.

LIMITED WARRANTY

For one year from the date of original retail purchase, MTD PRODUCTS INC will either repair or replace, at its option, free of charge, F.O.B. factory or authorized service firm, any part or parts found to be defective in material or workmanship. Transportation charges for the movement of any power equipment unit or attachment are the responsibility of the purchaser. Transportation charges for any parts submitted for replacement under this warranty must be paid by the purchaser unless such return is requested by MTD PRODUCTS INC.

This warranty will not apply to any part which has become inoperative due to misuse, excessive use, accident, neglect, improper maintenance, alterations, or unless the unit has been operated and maintained in accordance with the instructions furnished. This warranty does not apply to the engine, Peerless components, motor, battery (except as noted below) or component parts thereof. Please refer to the applicable manufacturer's warranty on these items.

A battery which proves defective within ninety (90) days will be replaced without charge. After 90 days but within one year from the date of purchase, MTD will replace the defective battery for a charge of 1/12 of the current retail price of the battery for each full 30 day period between the date of purchase and the date of return.

This warranty will not apply where the unit has been used commercially.

Warranty service is available through your local authorized service dealer or distributor. If you do not know the dealer or distributor in your area, please write to the Customer Service Department of MTD.

The return of a complete unit will not be accepted by the factory unless prior written permission has been extended by MTD.

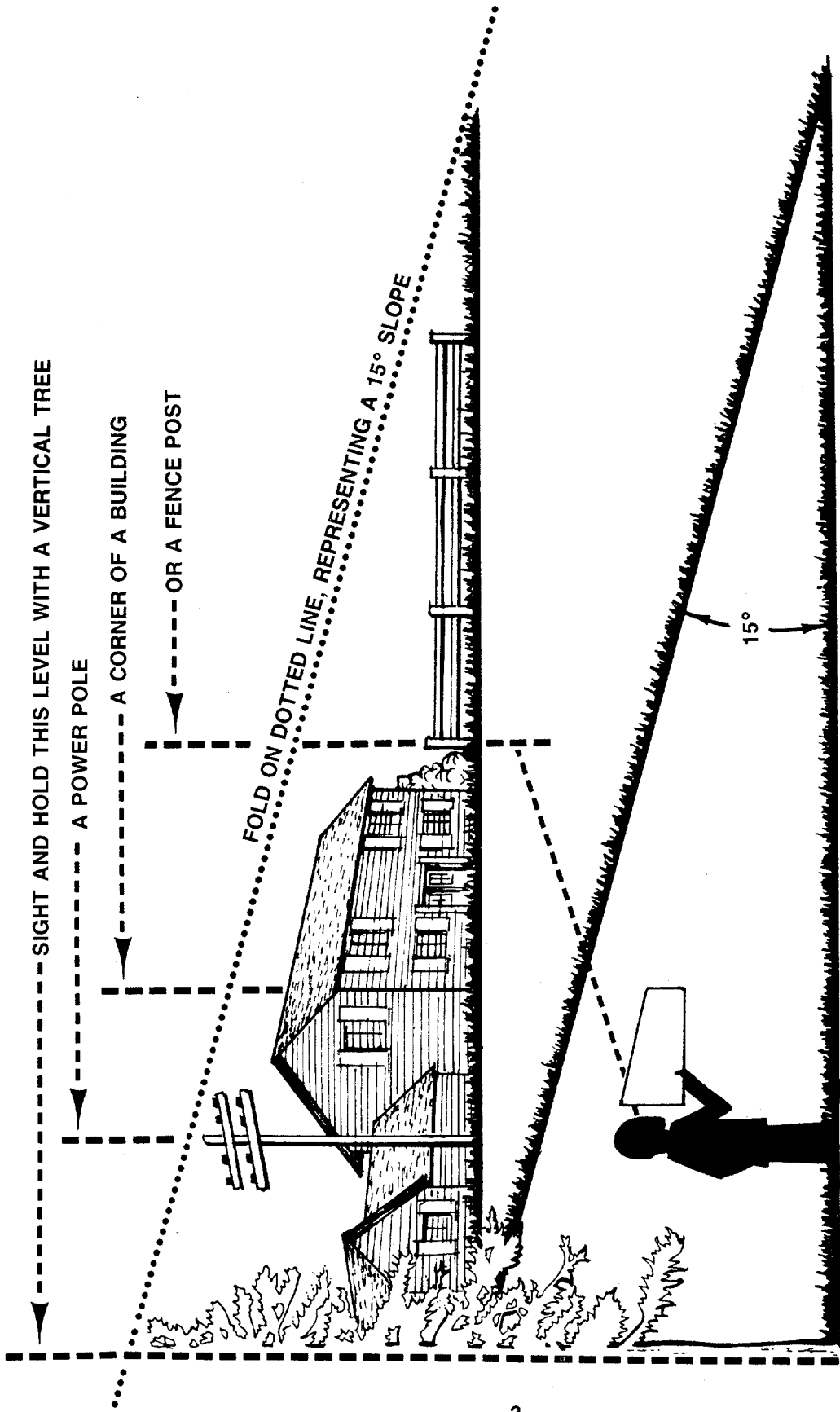
This warranty gives you specific legal rights. You may also have other rights which vary from state to state.

WARNING: This unit is equipped with an internal combustion engine and should not be used on or near any unimproved forest-covered, brush-covered or grass-covered land unless the engine's exhaust system is equipped with a spark arrester meeting applicable local or state laws (if any). If a spark arrester is used, it should be maintained in effective working order by the operator.

In the State of California the above is required by law (Section 4442 of the California Public Resources Code). Other states may have similar laws. Federal laws apply on federal lands. A spark arrester for the muffler is available through your nearest engine authorized service dealer.

Cut A This Line

USE THIS SHEET AS A GUIDE TO DETERMINE SLOPES WHERE YOU MAY NOT OPERATE SAFELY.



Do not mow on inclines with a slope in excess of 15 degrees (a rise of approximately 2½ feet every 10 feet). A riding mower could overturn and cause serious injury. If operating a walk-behind mower on such a slope, it is extremely difficult to maintain your footing and you could slip, resulting in serious injury.

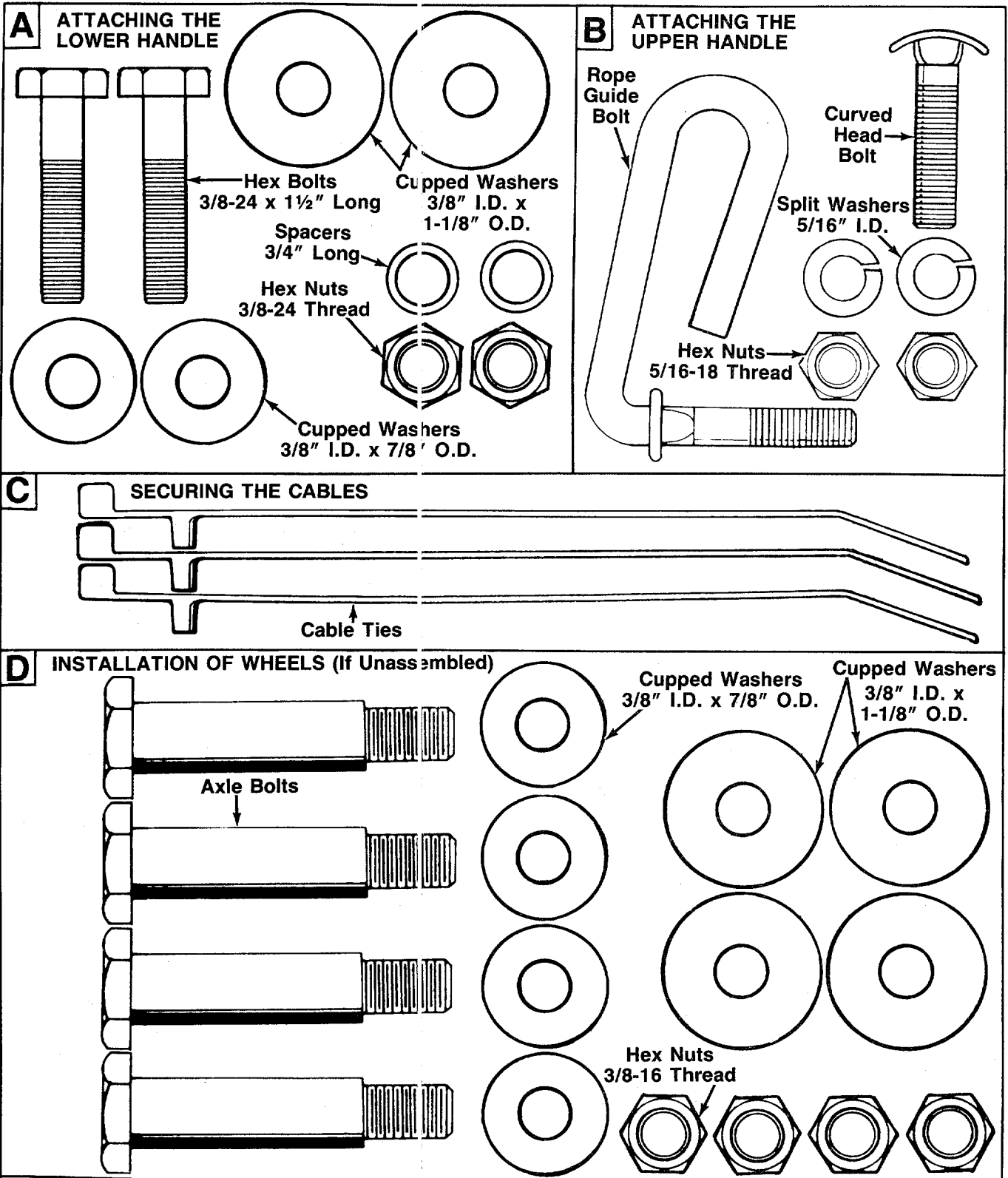
Operate RIDING mowers up and down slopes, never across the face of slopes.

Operate WALK-BEHIND mowers across the face of slopes, never up and down slopes.

CONTENTS OF HARDWARE PACK

Remove this sheet from your owner's manual and lay the hardware on the illustration for identification purposes. After assembly, keep the Slope Gauge which is on the reverse side of this sheet for future use.


(Hardware pack may contain extra items which are not used on your unit.)



IMPORTANT

RULES FOR SAFE OPERATION



THIS SYMBOL POINTS OUT IMPORTANT SAFETY INSTRUCTIONS WHICH, IF NOT FOLLOWED, COULD ENDANGER THE PERSONAL SAFETY AND/OR PROPERTY OF YOURSELF AND OTHERS. READ AND FOLLOW ALL INSTRUCTIONS IN THIS MANUAL BEFORE ATTEMPTING TO OPERATE YOUR LAWN MOWER. FAILURE TO COMPLY WITH THESE INSTRUCTIONS MAY RESULT IN PERSONAL INJURY. WHEN YOU SEE THIS SYMBOL— **HEED ITS WARNING.**



DANGER

Your lawn mower was built to be operated according to the rules for safe operation in this manual. As with any type of power equipment, carelessness or error on the part of the operator can result in serious injury. If you violate any of these rules, you may cause serious injury to yourself or others.



TRAINING

1. Read this owner's manual carefully in its entirety before attempting to assemble or operate this machine. Be completely familiar with the controls and the proper use of this machine before operating it. Keep this manual in a safe place for future and regular reference and for ordering replacement parts.
2. Your rotary mower is a precision piece of power equipment, not a plaything. Therefore, exercise extreme caution at all times.
3. Never allow children to operate a power mower. Only persons well acquainted with these rules of safe operation should be allowed to use your mower.
4. Keep the area of operation clear of all persons, particularly small children and pets. Stop engine when they are in the vicinity of your mower to help prevent blade contact or thrown object injury. Although the area of operation should be completely cleared of foreign objects, an object may have been overlooked and could be accidentally thrown by the mower in any direction and cause serious personal injury to the operator or any others allowed in the area.



PREPARATION

1. Thoroughly inspect the area where the equipment is to be used. Remove all stones, sticks, wire, bones and other foreign objects which could be picked up and thrown by the mower in any direction and cause serious personal injury to the operator or any others allowed in the area.
2. Always wear safety glasses or eye shields during operation or while performing an adjustment or repair, to protect eyes from foreign objects that may be thrown from the machine in any direction.
3. Wear sturdy, rough-soled work shoes and close-fitting slacks and shirts to avoid entanglement in the moving parts. Never operate a unit in bare feet, sandals, or sneakers.
4. Check the fuel before starting the engine. Gasoline is an extremely flammable fuel. Do not fill the gasoline tank indoors, while the engine is running, or until engine has been allowed to cool for two minutes after running. Replace gasoline cap securely and wipe off any spilled gasoline before starting the engine as it may cause a fire or explosion.
5. Disengage the self-propelled mechanism or drive clutch on units so equipped before starting the engine.
6. The blade control handle is a safety device. Never attempt to bypass its operation. Doing so makes the safety device inoperative and may result in personal injury through contact with the rotating blade. The blade control handle must operate easily in both directions.
7. Never attempt to make a wheel or cutting height adjustment while the engine is running.
8. Never operate the equipment in wet grass. Always be sure of your footing. A slip and fall can cause serious personal injury. Keep a firm hold on the handle and walk, never run. Mow only in daylight or in good artificial light.



OPERATION

1. Do not change the engine governor settings or overspeed the engine. Excessive engine speeds are dangerous.
2. Do not put hands or feet near or under rotating parts. Keep clear of the discharge opening at all times as the rotating blade can cause injury.
3. Stop the blade when crossing gravel drives, walks or roads.
4. After striking a foreign object, stop the engine, remove the wire from the spark plug, and thoroughly inspect the mower for any damage. Repair the damage before restarting and operating the mower.
5. If the equipment should start to vibrate abnormally, stop the engine and check immediately for the cause. Vibration is generally a warning of trouble.
6. Shut the engine off and wait until the blade comes to a complete stop before removing the grass catcher or unclogging the chute. The cutting blade continues to rotate for a few seconds after the engine is shut off. Never place any part of the body in the blade area until you are sure the blade has stopped rotating.
7. Before cleaning, repairing or inspecting, make certain the blade and all moving parts have stopped. Disconnect the spark plug wire, and keep the wire away from the spark plug to prevent accidental starting.
8. Do not run the engine indoors.
9. Mow across the face of slopes, never up-and-down. Exercise extreme caution when changing direction on slopes. Do not mow excessively steep slopes. Always be sure of your footing. A slip and fall can cause serious personal injury.
10. Never operate mower without proper guards, plates or other safety protective devices in place.



MAINTENANCE AND STORAGE

1. Check the blade and engine mounting bolts at frequent intervals for proper tightness.
2. Keep all nuts, bolts, and screws tight to be sure the equipment is in safe working condition.
3. Never store the equipment with gasoline in the tank inside of a building where fumes may reach an open flame or spark. Allow the engine to cool before storing in any enclosure.
4. To reduce fire hazard, keep the engine free of grass, leaves, or excessive grease.
5. Check the grass catcher bag frequently for wear or deterioration. For safety protection, replace only with new bag meeting original equipment specifications.

IMPORTANT: This unit is shipped **WITHOUT GASOLINE** or **OIL**. After assembly, service engine with gasoline and oil as instructed in the separate engine manual packed with your unit.

NOTE: Reference to right or left hand side of the mower is observed from the operating position.

ASSEMBLY INSTRUCTIONS

The instructions in this manual cover various models of mowers. Follow only those instructions which pertain to your unit.

Tools Required for Assembly

- (1) 1/2" Wrench
- (1) 5/16" Wrench or Nutdriver
- (2) 9/16" Wrenches
- (1) Adjustable Wrench
- (Two 6" Adjustable Wrenches may be used instead of the above.)

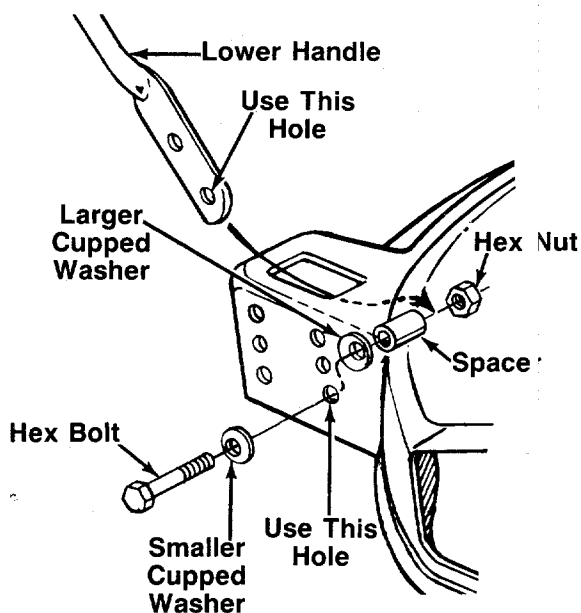


FIGURE 1.

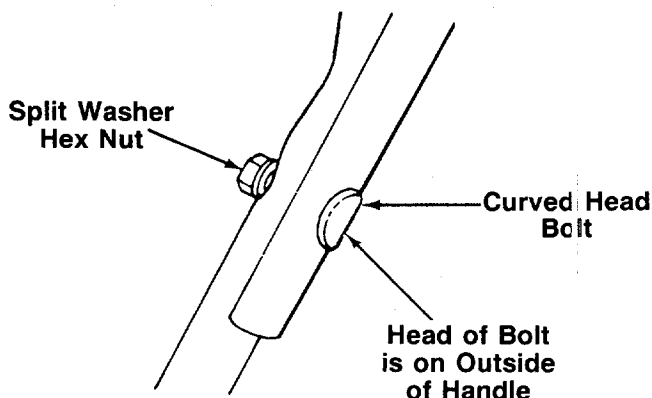


FIGURE 2.

UNPACKING

1. Remove the lawn mower from the carton by opening the top flaps and lifting the unit out. Be careful of the staples. Make certain all parts and literature have been removed from the carton before the carton is discarded.
2. Disconnect and ground the spark plug wire against the engine. Check beneath the deck for any cardboard packaging. Remove if present.
3. Stretch out all control cables and place on the floor. Be careful not to bend or kink the cables at any time during assembly.
4. Remove page four from this manual and lay the contents of the hardware pack on the illustration for identification.

ATTACHING THE LOWER HANDLE (Hardware A)

1. Raise the rear of the deck and block securely. Insert the ends of the lower handle through the slots in the rear of the deck.
2. Place one 7/8" O.D. cupped washer on hex bolt 1 1/2" long (crowned side of washer goes against the head of the hex bolt).
3. Using the inside set of holes in the rear of the deck, insert hex bolt through the bottom hole as shown in figure 1.
4. Place one 1-1/8" O.D. cupped washer on hex bolt (cupped side of washer goes against the deck). Place spacer on hex bolt. Then insert hex bolt through bottom hole in handle. Secure with hex nut, finger tight only.
5. Repeat steps 2 through 4 to attach the other side of the handle.
6. Tighten both hex bolts and nuts securely.

ATTACHING THE UPPER HANDLE (Hardware B)

1. Place the upper handle in position over the lower handle. The bracket on the inside of the handle and the throttle control must be on the left side of the handle.

NOTE

The right hand side of the handle will be secured with the rope guide bolt. However, left handed operators may assemble the rope guide bolt to the left side of the handle for easier starting by following steps 2 and 3 and reversing the left and right hand instructions.

2. Secure the left hand side of upper handle using the curved head bolt, split washer and hex nut as shown in figure 2.

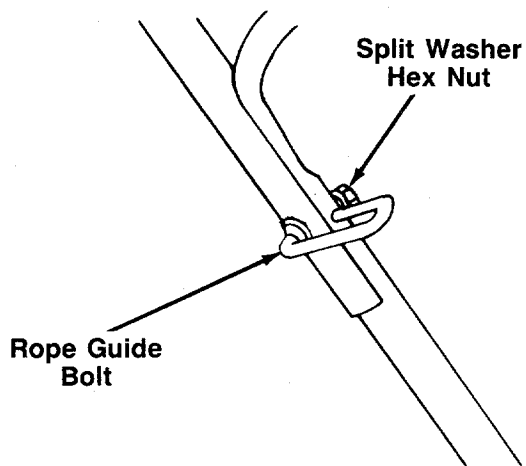


FIGURE 3.

3. Insert the rope guide bolt through the right hand side of upper and lower handle from the outside in. See figure 3. Secure with split washer and hex nut, finger tight only at this time.

ATTACHING THE BRAKE CABLE

1. The brake cable is attached to the engine, and has a "Z" fitting on the loose end. Route the brake cable below the lower handle. Place end of cable through the hole in the bracket as shown in figure 4. Be careful not to bend or kink the cable at any time. Push the plastic fitting until it locks into the hole in the bracket.

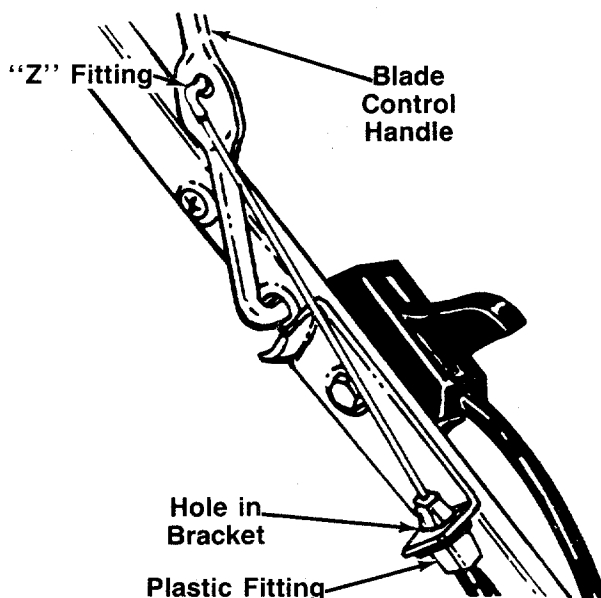


FIGURE 4.



WARNING

Brake cable must be assembled as shown for proper blade brake operation.

2. Hook the "Z" end of the brake cable into the hole in the blade control handle from the inside to the outside as shown in figure 4.

ATTACHING THE THROTTLE CABLE

Briggs and Stratton Engine

1. Place the throttle control lever on the handle in FAST position.
2. The throttle control cable is attached to the upper handle. Route the throttle control cable under the lower handle and inside the handle mounting bracket. Hook the "Z" end of the throttle control cable into the arm on the control lever on the engine which has two holes, using the **outside** hole as shown in figure 5.
3. Using a 5/16" wrench or nutdriver, remove the screw on the cable clamp shown in figure 5. Slip the control casing under the clamp. Replace the screw, but do not tighten (cable must still move freely beneath the clamp).
4. Place the throttle control lever on the engine in the full open position by pushing it toward outside of the unit. Push the wire casing on the throttle control cable toward the control lever on the engine as shown in figure 5 as you tighten the screw on the cable clamp.
5. Loosen the screw on the clamp on the side of the engine. Slip the cable casing under the clamp to secure the cable **away from the muffler**. Be careful not to bend or kink the cable. Tighten the screw.

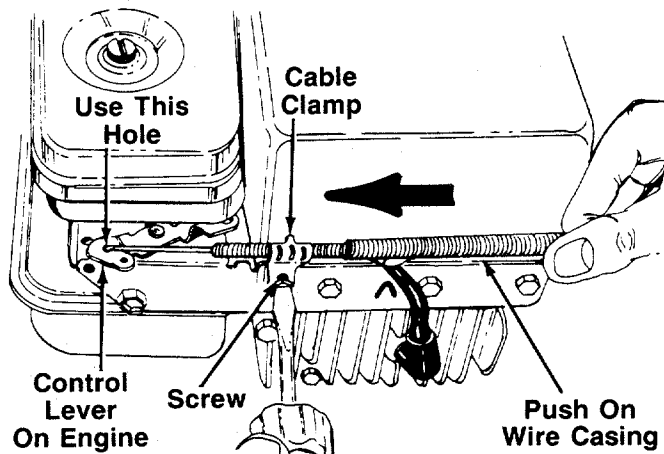


FIGURE 5.—Briggs and Stratton Engine

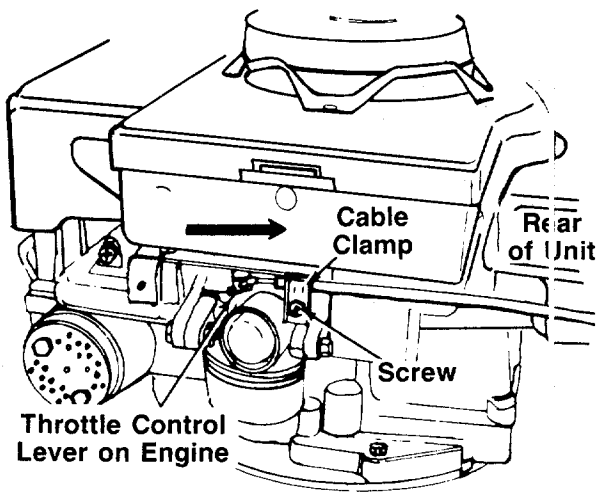


FIGURE 6.—Tecumseh Engine

**ATTACHING THE THROTTLE CABLE (Optional)
Tecumseh Engine**

1. Place the throttle control lever on the handle in FAST position.
2. The throttle control cable is attached to the upper handle. Route the throttle control cable under the lower handle and inside the handle mounting bracket. Hook the "Z" end of the throttle control cable into the control lever on the engine as shown in figure 6.
3. Loosen (do not remove) the screw on the cable clamp shown in figure 6. Slip the control casing under the clamp (cable must move freely beneath the clamp).
4. Place the control lever on the engine in the full open position by pushing it as far toward the rear of the unit as it will go. Tighten the screw on the cable clamp to secure the cable in this position.

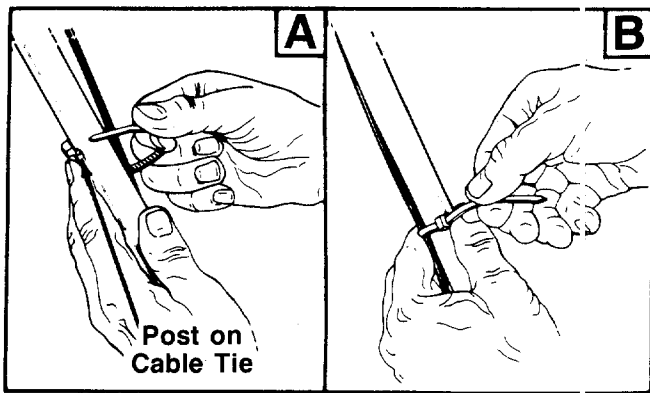


FIGURE 7.

SECURING THE CABLES (Hardware C)

Secure the cable(s) to the left side of the handle as follows.

- A. Insert posts on cable ties into holes provided on the inside of the handle, one on the upper handle and two on the lower handle. The holes may be either on the inside or outside of the handles. See figure 7A.
- B. Secure the cable(s) with the cable ties. See figure 7B.
- C. Trim excess ends of cable ties.

ATTACHING THE STARTER ROPE

1. The starter rope is inside the top of the engine. Additional rope may be wound around the starter handle. If so, unwind the rope from the handle.
2. With the spark plug wire disconnected and grounded, depress the blade control handle and pull the rope out of the engine.
3. Slip the starter rope into the rope guide bolt as shown in figure 8.
4. Tighten the hex nut on the rope guide bolt securely.

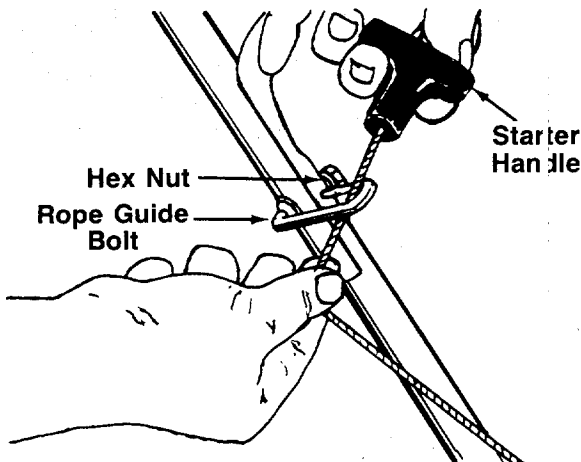


FIGURE 8.

INSTALLATION OF WHEELS (Hardware D)

If the wheels on your mower are not already assembled, proceed as follows. The front wheels must be assembled in one of the three holes nearest the front of the deck. See figure 9. The rear wheels must be assembled in one of the three holes nearest the rear of the deck.

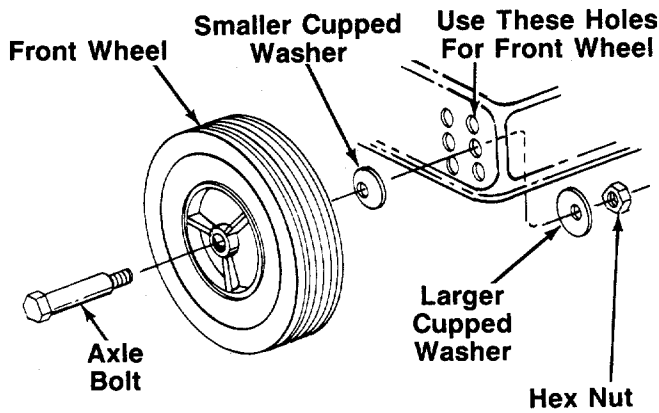


FIGURE 9.

The three holes provide three cutting heights for your mower. Use the same hole location for all four wheels when assembling. If wheels are to be assembled in the lowest cutting position (highest hole in the deck), refer to the note below.

← To assemble the wheels: (See figure 9)

1. Place axle bolt through wheel.
2. Place one smaller cupped washer on axle bolt, with the cupped side of washer toward the deck (away from wheel).
3. Secure wheel to deck with one larger cupped washer on the inside of the deck (cupped side against the deck) and hex nut. Tighten securely.
4. Assemble the other wheels in the same manner.

NOTE

If the lowest cutting position (highest hole in the deck) is used, it is necessary to place the larger washer on the outside of the deck and the smaller washer on the inside.

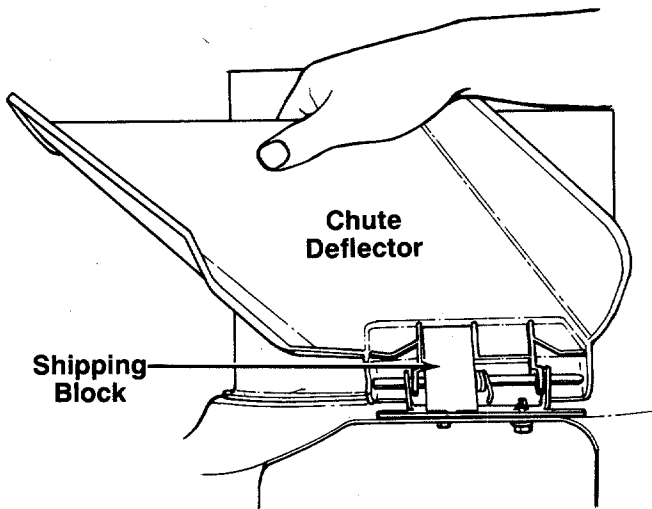


FIGURE 10.

FINAL ASSEMBLY OF MOWER

1. The chute deflector on your mower is held in an upright position by a block for shipping purposes only. This shipping block must be removed and discarded before the mower is put into operation. See figure 10.

← To remove the shipping block, pull the spring-loaded chute toward the engine. Remove the block and carefully lower the chute into operating position, keeping fingers out of the way.

2. Make certain all nuts and bolts are tightened securely.

CONTROLS

BLADE CONTROL HANDLE

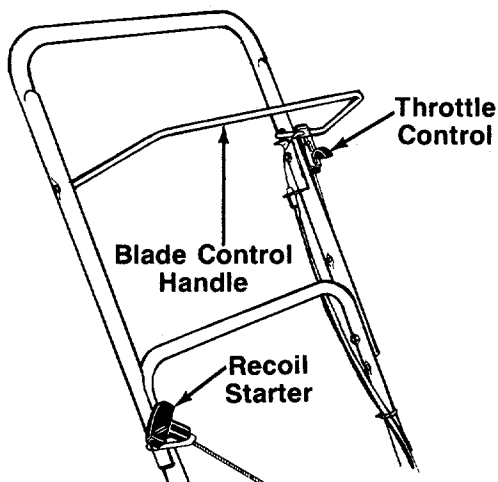


FIGURE 11.

WARNING
THIS CONTROL MECHANISM IS A SAFETY DEVICE NEVER ATTEMPT TO BYPASS ITS OPERATIONS

The blade control handle is located on the upper handle of the mower. See figure 11. The blade control handle must be depressed in order to operate the unit. Release the blade control handle to stop the engine and blade.



The blade will be rotating whenever the engine is running.

THROTTLE CONTROL (Optional)

The throttle control is located on the left side of the upper handle. It is used to regulate the engine speed. The engine should be started with the engine in the FAST or START position.



WARNING

The throttle control cannot be used to stop the engine.

RECOIL STARTER

The recoil starter handle is attached to the handle. See figure 11. Stand behind the unit in the operating position to start the unit.

OPERATION



FIGURE 12.

Keep hands and feet away from the chute area on cutting deck. See figure 12.

GAS AND OIL FILL-UP

Service the engine with gasoline and oil as instructed in the separate engine manual packed with your mower. Read instructions carefully.



WARNING

Never fill fuel tank indoors, with engine running or until the engine has been allowed to cool for at least two minutes after running.

TO START ENGINE AND ENGAGE BLADE

1. Attach spark plug wire to spark plug. If unit is equipped with a rubber boot over the end of the spark plug wire, make certain the metal loop on the end of the spark plug wire (inside the rubber boot) is fastened securely over the metal tip on the spark plug. See figure 13.

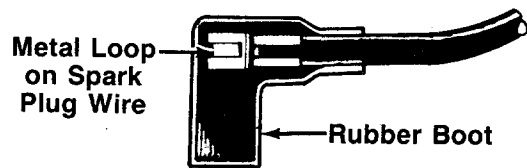


FIGURE 13.

2. Move the throttle control lever to FAST or START position.
3. **Tecumseh engines only:** Prime engine as instructed in the separate engine manual.
4. Standing behind the unit, depress the blade control handle and hold it against the upper handle as shown in figure 14.
5. Grasp the recoil starter handle as shown and pull back rapidly, extending rope fully. Return it slowly to the rope guide bolt.
6. After engine starts, move throttle control lever to desired engine speed.

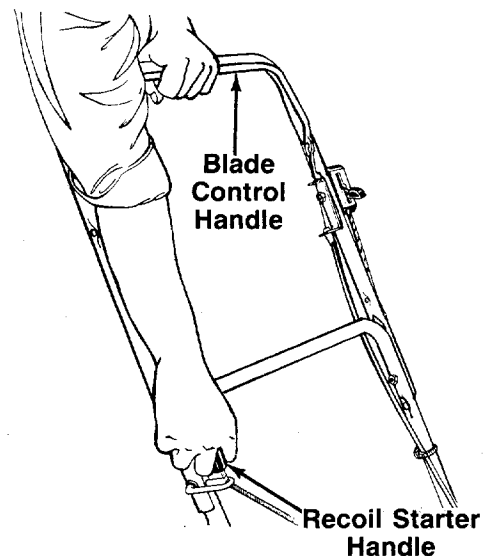


FIGURE 14.

NOTE

If any problems are encountered, refer to the Trouble Shooting Guide on page 13.

TO STOP ENGINE AND BLADE

1. Release the blade control handle to stop the engine and blade.



WARNING

The blade continues to rotate for a few seconds after the engine is shut off.

2. Disconnect the spark plug wire and ground it against the engine to prevent accidental starting while equipment is unattended.

USING YOUR ROTARY MOWER

Be sure that lawn is clear of stones, sticks, wire, or other objects which could damage lawn mower or engine. Such objects could be accidentally thrown by the mower in any direction and cause serious personal injury to the operator and others.

For best results, do not cut wet grass because it tends to stick to the underside of the mower, preventing proper discharge of grass clippings, and could cause you to slip and fall. New grass or thick grass may require a narrower cut. Blade speed should be adjusted to the condition of the lawn.

The best mowing pattern is one that allows the clippings to discharge towards the uncut part of the lawn. This permits recutting of the clippings to further pulverize them. When cutting high weeds, discharge towards cut portion, then recut at right angles to first direction.

For best results, cut off one-third or less of the total length of the grass. Lawn should be cut in the fall as long as there is growth.

This mower is designed to be operated at full throttle to give you the best cut and do the most effective job of bagging the cut grass.

➡ IMPORTANT

If you strike a foreign object, stop the engine. Remove wire from spark plug, thoroughly inspect the mower for any damage, and repair the damage before restarting and operating the mower. Extensive vibration of the mower during operation is an indication of damage. The unit should be promptly inspected and repaired.

ADJUSTMENTS



Do not at any time make any adjustment to lawn mower without first stopping engine and disconnecting spark plug wire.

CUTTING HEIGHT ADJUSTMENT

Adjustment may be made by removing and moving axle bolts to desired position. Cutting heights will be raised

as axle bolts are moved to a lower hole and lowered as axle bolts are moved to a higher hole in the deck. All axle bolts must be mounted in the same relative position. Cupped washers must be assembled so that the cupped side of the washers are against the deck. Refer to figure 9.

THROTTLE (Optional)

The throttle control wire assembly can be adjusted if necessary. Loosen the screw on the cable clamp shown in figure 5 or 6. Adjust as instructed in step 4 of "Attaching the Throttle Control Cable" in Assembly Instructions.

CARBURETOR ADJUSTMENTS



If any adjustments are made to the engine while the engine is running (e.g. carburetor), keep clear of all moving parts. Be careful of heated surfaces and muffler.

Minor carburetor adjustment may be required to compensate for differences in fuel, temperature, altitude and load. Refer to the separate engine manual packed with your mower for carburetor adjustment information.

➡ NOTE

A dirty air cleaner will cause an engine to run rough. Be certain air cleaner is clean and attached to the carburetor before adjusting carburetor. Refer to the separate engine manual.

LUBRICATION



Always stop engine and disconnect spark plug wire before cleaning, lubricating or doing any kind of work on lawn mower.

Blade Control—Lubricate the pivot points on the blade control handle and the brake cable at least once a season with light oil. See figure 15. The blade control must operate freely in both directions.

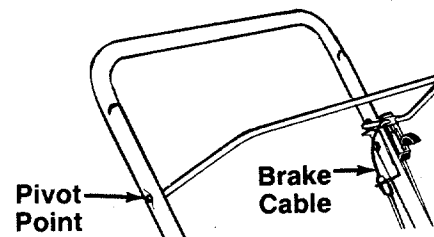


FIGURE 15.

Chute Deflector—The torsion spring and pivot point should be lubricated periodically with light oil to prevent any rust or binding. Deflector must work freely.

Wheels—The wheels require no lubrication. However, if the wheels are removed for any reason, lubricate the surface of the axle bolt and the inner surface of the wheel with light oil. A 4 oz. plastic bottle of light oil lubricant is available. Order part number 737-0170. Engine oil may also be used.

Engine—Follow engine manual for lubrication instructions.

Throttle (Optional)—Periodically lubricate throttle control lever and throttle wire assembly with a few drops of light oil for ease of operation.

MAINTENANCE



WARNING

Be sure to disconnect and ground the spark plug wire before performing any repairs or maintenance.



NOTE

When tipping the unit, empty the fuel tank and keep engine spark plug side up.

TROUBLE SHOOTING

Refer to page 13 of this manual for trouble shooting information.

CUTTING BLADE

When removing the cutting blade for sharpening or replacement, protect hands by using heavy gloves or a rag to grasp the cutting blade. Remove the bolt and blade bell washer which hold the blade and adapter to the engine crankshaft. Remove the blade and adapter from the crankshaft.



CAUTION

Periodically inspect the blade adapter for cracks, especially if you strike a foreign object. Replace when necessary.

When sharpening the blade, follow the original angle of grind as a guide. It is **extremely important** that each cutting edge receives an equal amount of grinding to prevent an unbalanced blade. An unbalanced blade will cause excessive vibration when rotating at high speeds, may cause damage to the mower and could break, causing personal injury.

The blade can be tested by balancing it on a round shaft screwdriver. Remove metal from the heavy side until it balances evenly.

Before reassembling the blade and the blade adapter to the unit, lubricate the engine crankshaft, the inner surface of the blade adapter and the center bolt with light oil. A 4 oz. plastic bottle of light oil lubricant is available. Order part number 737-0170. Engine oil may also be used.

When replacing the blade, be sure to install the blade with the side of the blade marked "Bottom" (or with part number) facing the ground when the mower is in the operating position.

Blade Mounting Torque

Center Bolt 375 in. lb. min., 450 in. lb. max.

To insure safe operation of your unit, **all** nuts and bolts must be checked periodically for correct tightness.

DECK

The underside of the mower deck should be cleaned after each use to prevent a buildup of grass clippings, leaves, dirt or other matter. If this debris is allowed to accumulate, it will invite rust and corrosion, and may cause an uneven discharge of grass clippings at the next cutting.

The deck may be cleaned by tilting the mower and scraping clean with a suitable tool (make certain the spark plug wire is disconnected).

ENGINE

Refer to the separate engine manual for engine maintenance instructions.

Maintain **engine oil** as instructed in the separate engine manual packed with your unit. Read and follow instructions carefully.

Service **air cleaner** every 25 hours under normal conditions. Clean every few hours under extremely dusty conditions. Poor engine performance and flooding usually indicates that the air cleaner should be serviced. To service the air cleaner, refer to the separate engine manual packed with your unit.

The **spark plug** should be cleaned and the gap reset once a season. Spark plug replacement is recommended at the start of each mowing season; check engine manual for correct plug type and gap specifications.

Clean the engine regularly with a cloth or brush. Keep the cooling system (blower housing area) clean to permit proper air circulation which is essential to engine performance and life. Be certain to remove all grass, dirt and combustible debris from muffler area.

OFF-SEASON STORAGE

The following steps should be taken to prepare lawn mower for storage.

1. Clean and lubricate mower thoroughly as described in the lubrication instructions.

2. Refer to engine manual for correct engine storage instructions.
3. Coat mower's cutting blade with chassis grease to prevent rusting.
4. Store mower in a dry, clean area.

➔ NOTE

When storing any type of power equipment in an unventilated or metal storage shed, care should be taken to rust-proof the equipment. Using a light oil or silicone, coat the equipment, especially cables and all moving parts.

Trouble Shooting Guide

Trouble	Possible Cause(s)	Corrective Action
Engine fails to start	<ol style="list-style-type: none"> 1. Blade control handle disengaged. 2. Spark plug wire disconnected. 3. Throttle control lever not in FAST or START position. 4. Fuel tank empty, or stale fuel. 5. Blocked fuel line. 6. Faulty spark plug. 7. Engine flooded. 	<ol style="list-style-type: none"> 1. Engage blade control handle. 2. Connect wire to spark plug. 3. Move throttle lever to FAST or START position. 4. Fill tank with clean, fresh gasoline. 5. Clean fuel line. 6. Clean, adjust gap or replace. 7. Remove spark plug, dry the plug, and crank engine with plug removed and throttle in off position. Replace spark plug, connect wire and resume starting procedures.
Engine runs erratic	<ol style="list-style-type: none"> 1. Unit running in START position. 2. Spark plug wire loose. 3. Blocked fuel line or stale fuel. 4. Vent in gas cap plugged. 5. Water or dirt in fuel system. 6. Dirty air cleaner. 7. Carburetor out of adjustment. 	<ol style="list-style-type: none"> 1. Move throttle lever to FAST position. 2. Connect and tighten spark plug wire. 3. Clean fuel line; fill tank with clean, fresh gasoline. 4. Clear vent. 5. Drain fuel tank. Refill with fresh fuel. 6. Clean air cleaner.† 7. Adjust carburetor.†
Engine overheats	<ol style="list-style-type: none"> 1. Engine oil level low. 2. Air flow restricted. 3. Carburetor not adjusted properly. 	<ol style="list-style-type: none"> 1. Fill crankcase with proper oil. 2. Remove blower housing and clean.† 3. Adjust carburetor.†
Occasional skip (hesitates) at high speed	<ol style="list-style-type: none"> 1. Carburetor idle speed too slow. 2. Spark plug gap too close. 3. Carburetor idle mixture adjustment improperly set. 	<ol style="list-style-type: none"> 1. Adjust carburetor.† 2. Adjust gap to .030". 3. Adjust carburetor.†
Idles poorly	<ol style="list-style-type: none"> 1. Spark plug fouled, faulty or gap too wide. 2. Carburetor improperly adjusted. 3. Dirty air cleaner. 	<ol style="list-style-type: none"> 1. Reset gap to .030" or replace spark plug. 2. Adjust carburetor.† 3. Clean air cleaner.†
Excessive vibration	<ol style="list-style-type: none"> 1. Cutting blade loose or unbalanced. 2. Bent cutting blade. 	<ol style="list-style-type: none"> 1. Tighten blade and adapter. Balance blade. 2. Replace blade.
Mower will not discharge grass	<ol style="list-style-type: none"> 1. Engine speed too low. 2. Wet grass. 3. Excessively high grass. 	<ol style="list-style-type: none"> 1. Set throttle between 3/4 and full throttle. 2. Do not mow when grass is wet; wait until later to cut. 3. Mow once at a high cutting height, then mow again at desired height or make a narrower cutting swath (1/2 width).
Uneven cut	<ol style="list-style-type: none"> 1. Wheels not positioned correctly. 2. Dull blade. 	<ol style="list-style-type: none"> 1. Place all four wheels in same height position. 2. Sharpen or replace blade.

†Refer to separate engine manual packed with your unit.

Note: For repairs beyond the minor adjustments listed above, please contact your local authorized service dealer.

Models 050R thru 063R

*For faster service obtain standard nuts, bolts, and washers locally. If these items cannot be obtained locally, order by part number and size as shown on parts list.

CODE: N notates a **new part** (not previously existing). A three digit number is the **color code** (use if color or finish is important when ordering parts). See chart below. [i.e., (part no.)-638 for Red Finish].

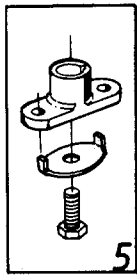
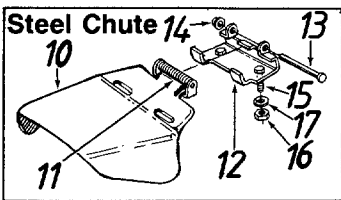
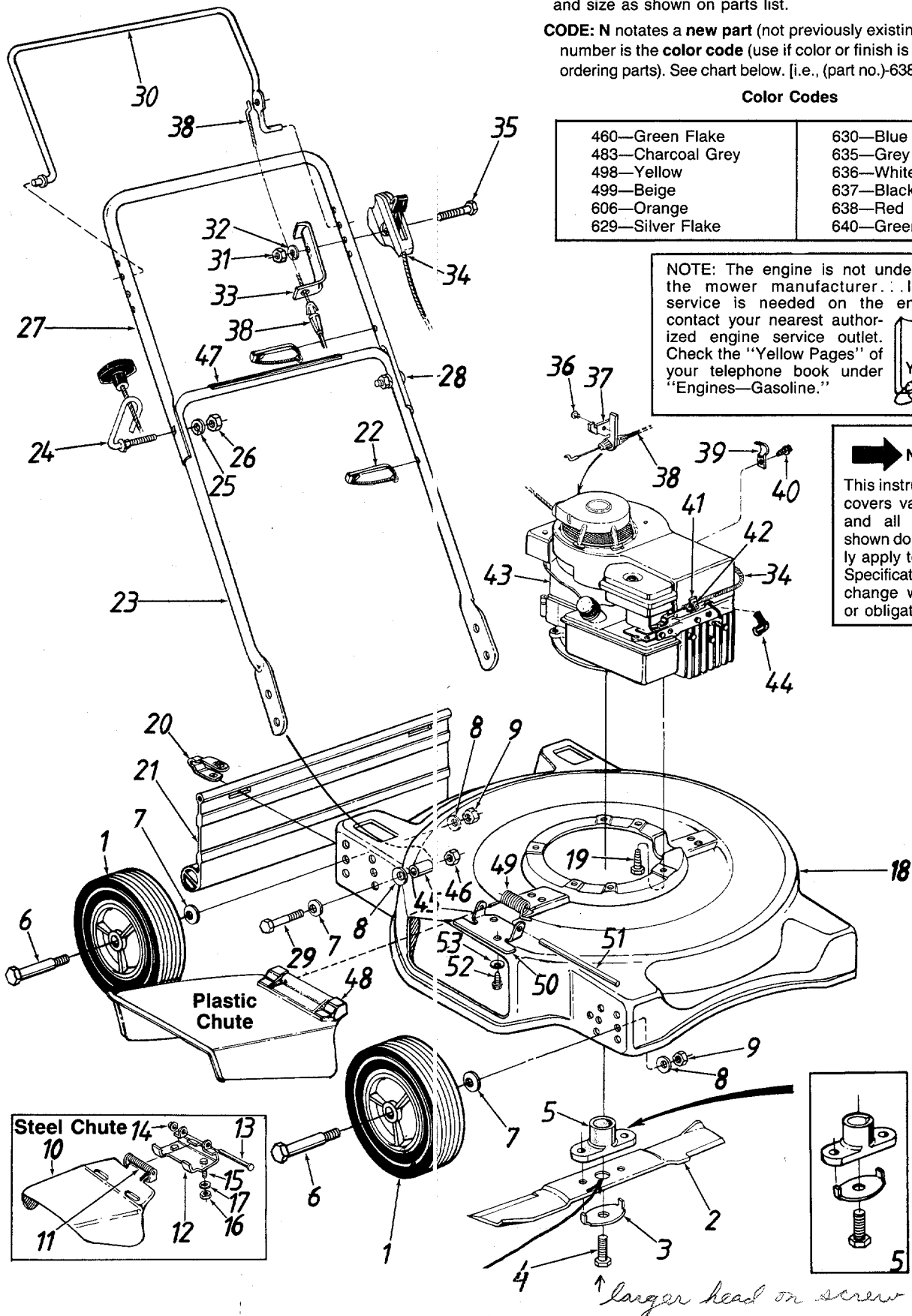
Color Codes

460—Green Flake	630—Blue
483—Charcoal Grey	635—Grey
498—Yellow	636—White
499—Beige	637—Black
606—Orange	638—Red
629—Silver Flake	640—Green

NOTE: The engine is not under warranty by the mower manufacturer. If repairs or service is needed on the engine, please contact your nearest authorized engine service outlet. Check the "Yellow Pages" of your telephone book under "Engines—Gasoline."

Find It Fast
In The
Yellow Pages

NOTE
This instruction manual covers various models and all specifications shown do not necessarily apply to your model. Specifications subject to change without notice or obligation.



↑ larger head on screw

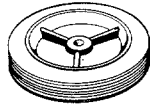
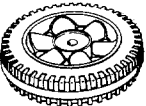
Models 050R thru 063R

PARTS LIST FOR MODELS 050R THRU 063R ROTARY MOWERS

REF. NO.	PART NO.	CODE	DESCRIPTION	REF. NO.	PART NO.	CODE	DESCRIPTION
1	**		Wheel Ass'y. Complete	29	710-0459		Hex Bolt 3/8-24 x 1.5" Lg.
2	742-0520		20" Blade	30	747-0550		Control Handle
	742-0522		22" Blade	31	712-0138		Hex Nut 1/4-28 Thd.*
3	736-0415		Blade Bell-Washer	32	736-0175		Spr. Wash. .265" I.D. x .562"
4	710-1044	N	Hex Bolt 3/8-24 x 1.5" Lg.	33	16201		Cable Mounting Bracket
5	753-0462		Blade Adapter Kit (Keyed)	34	746-0646		Throttle Control Ass'y. Comp. (B&S)
6	738-0533		Shld. Bolt .498" Dia. x 1.64"		746-0665		Throttle Control Ass'y. Comp. (Tecumseh)†
7	736-0105		Bell-Wash. .380" I.D. x .88"	35	710-0559		Hex Bolt 1/4-28 x 1.75" Lg.*
8	736-0331		Bell-Wash. .39" I.D. x 1.13"	36	728-0171		Pop Rivet (B&S)
9	712-0798		Hex Nut 3/8-16 Thd.*	37	14924		Cable Bracket (B&S)
10	14944	638	Chute Deflector Ass'y.†	38	746-0550		Control Cable—39" (B&S)
11	732-0253		Torsion Spring†		746-0557		Control Cable—47" (Tec.)
12	11130		Adapter Plate†	39	12894A	N	Casing Clamp (B&S)
13	711-0555		Pivot Pin†	40	710-0429		Hex B-Tap Scr. #10 x .38" Lg. (B&S)
14	726-0106		Speed Nut 1/4" Rod†	41	751-0369		Casing Clamp (B&S)
15	710-0289		Hex Bolt 1/4-20 x .5" Lg.*†	42	710-0227		Hex Wash. Hd. AB-Tap Scr. #8 x .50" Lg. (B&S)
16	712-0287		Hex Nut 1/4-20 Thd.*†	43	—		Engine
17	736-0329		L-Wash. 1/4" I.D.*	44	735-0639		Spark Plug Boot†
18	17038	638	20" Deck Ass'y.	45	750-0727		Spacer .381" I.D. x .56" O.D. x .75" Lg.
	17043	638	22" Deck Ass'y.	46	712-0355		Hex L-Nut 3/8-24 Thd.
19	710-0654A	N	Hex Wash. Hd. Scr. 3/8-16 x 1" Lg.	47	777-5776		Instruction Label—Handle
20	17098		Hinge Clip	48	731-1034	N	Chute Deflector Ass'y.
21	731-0872		Rear Flap 16.75" Lg.	49	732-0593	N	Torsion Spring
22	726-0240		Cable Tie	50	17032	N	Adapter Plate
23	749-0372B	N	Lower Handle (Painted)	51	747-0710	N	Hinge Pin
	749-0373B	N	Lower Handle (Chrome)	52	710-0599		Hex Self-Tap Scr. 1/4-20 x .5" Lg.
	710-0842B	N	Rope Guide Bolt	53	736-0270		Bell-Wash. 1/4" I.D.
24	736-0119		L-Wash. 5/16" I.D.*				
25	712-0267		Hex Nut 5/16-18 Thd.*				
26	749-0755		Upper Handle (Painted)				
27	749-0754		Upper Handle (Chrome)				
28	710-0671		Curved Carriage Bolt 5/16-18 x 1.38" Lg.				

†Optional Parts

**WHEEL CHART

Plastic Rim			Steel Rim			
Size			Size	Tread Type		Bearings
				Twinline	Waffle	
7 x 1.5	734-1170	734-1165	7 x 1.5	734-0639	734-0637	Ball Brgs. 3/8" I.D.-741-0267, 1/2" I.D.-741-0484, Spacer-750-0434 (Use Axle Bolt 710-1020)
8 x 1.75	734-1169		8 x 1.75	734-0643	734-0645	
7 x 1.5			7 x 1.5	734-0876	734-0893	1/2" I.D. Plastic Brg.-741-0262 (2 per Wheel) (Use Axle Bolt 738-0102)
8 x 1.75			8 x 1.75	734-0661	734-0812	

NOTE: The use of any accessory on this Rotary Mower other than those manufactured by the mower manufacturer is **not** recommended.

GRASS CATCHER model 086 is available as optional equipment for the mowers shown in this manual.



WARNING

To reduce the risk of injury, do not operate mower unless rear trailing shield and guard or entire grass catcher is in proper place.

NOTE: Under normal usage bag material is subject to wear and should be checked periodically. Be sure any replacement bag complies with the mower manufacturer's recommendations. For replacement bags, use only factory authorized replacement bag Part Number 764-0271.

PARTS INFORMATION

POWER EQUIPMENT PARTS AND SERVICE

Parts and service are available through the authorized service firms listed below. All orders should specify the model number of your unit, part numbers, description of parts and the quantity of each part required.

BRIGGS AND STRATTON, TECUMSEH AND PEERLESS PARTS AND SERVICE

Briggs & Stratton, Tecumseh and Peerless parts and service should be handled by your nearest authorized engine service firm. Check the yellow pages of your telephone directory under the listing **Engines—Gasoline**, Briggs & Stratton or Tecumseh Lauson.

NOTE: If any parts are found to be missing or defective upon assembly of this unit, write to advise the factory so that immediate replacement can be made.

ALABAMA	BIRMINGHAM	NEW YORK	CARTHAGE
Auto Electric & Carburetor Co.	2625 4th Ave. S. Box 2466	Gamble Dist., Inc.	West End Ave. Box 389
	35233		13619
ARKANSAS	NORTH LITTLE ROCK	NORTH CAROLINA	GREENSBORO
Sutton's Lawn Mower Shop.	5301 Roundtop Drive Box 368, Rt. 4	Dixie Sales Company.	335 N. Green Box 1408
	72117		27402
CALIFORNIA	PORTERVILLE	OHIO	CARROLL
Billious	75 North D Street	Stebe's Mid-State Mower Supply	Box 366, 71 High St.
	93257		43112
COLORADO	DENVER	Bleckrie, Inc.	CLEVELAND
Spitzer Industrial Products Co.	6601 N. Washington St.		7900 Lorain Ave.
	80229		44102
FLORIDA	JACKSONVILLE	National Central	WADSWORTH
Radco Distributors	4909 Victor St. Box 5459		687 Seville Rd.
	32207	Burton Supply Co.	YOUNGSTOWN
	HIALEAH		1301 Logan Ave. Box 929
Small Eng. Dist.	7995 W. 26th Court		44501
	33016	PENNSYLVANIA	HARRISBURG
GEORGIA	EAST POINT	EECO Inc.	4021 N. 6th St.
East Point Cycle & Key Inc.	2834 Church St.		17110
	30344	Thompson Rubber Co.	WILLOW GROVE
ILLINOIS	LYONS		850 Davisville Rd.
Keen Edge Co.	8615 Ogden Ave.		19090
	60534	Bluemont Co.	PITTSBURGH
INDIANA	ELKHART		11101 Frankstown Rd.
Parts & Sales Inc.	2101 Industrial Pkwy. Box 277		15235
	46516	Frank Roberts & Sons	PUNXSUTAWNEY
IOWA	DUBUQUE		R.D. 2
Power Lawn & Garden Equip.	2551 J.F. Kennedy		15767
	52001	Scranton Auto Ignition Co.	SCRANTON
LOUISIANA	LAFAYETTE		1133-35 Wyoming Ave.
Jourdan Engine Co.	214 W. Vermillion St. Box 3503		18509
	70501	TENNESSEE	KNOXVILLE
MARYLAND	TAKOMA PARK	Ace Distributors	2103 Magnolia
Center Supply Co.	6867 New Hampshire Ave.		379
	20912	American Sales & Service, Inc.	MEMPHIS
MASSACHUSETTS	SPRINGFIELD		3035-43 Bellbrook
Morton B. Collins Co.	300 Birnie Ave.		38116
	01107	TEXAS	DALLAS
MICHIGAN	MOUNT CLEMENS	Marr Brothers, Inc.	423 E. Jefferson
Power Equipment Dist.	340 Hubbard		75203
	48043	Engine House Inc.	SAN ANTONIO
MINNESOTA	PLYMOUTH		4918 Golden Quail
Hance Distributing Inc.	12795 16th Ave. North		78249
	55441	UTAH	SALT LAKE CITY
MISSOURI	EARTH CITY	Powered Products	1661 N. Beck St.
Oscar Wilson Engine & Parts	4159 Shoreline Dr.		84116
	63045	VIRGINIA	ASHLAND
Automotive Equip. Service	3117 Holmes St.	RBI Corp.	101 Cedar Ridge Dr.
	64109		23005
NEW JERSEY	ALLOWAY	WASHINGTON	SEATTLE
Piersons	Canal St., Box 494	Equip. Northwest	1410 14th Ave.
	08001		98122
		WISCONSIN	MILWAUKEE
		Wisconsin Magneto Inc.	4727 N. Teutonia St.
			53209
		PUERTO RICO	AGUADILLA
		CIE & Associates, Inc.	Box 427 Ramey Station
			00604

WARRANTY PARTS AND SERVICE POLICY

(0588)

The purpose of warranty is to protect the customer from defects in workmanship and materials, defects which are NOT detected at the time of manufacture. It does not provide for the unlimited and unrestricted replacement of parts. Use and maintenance are the responsibility of the customer. The manufacturer cannot assume responsibility for conditions over which it has no control. Simply put, if it's the manufacturer's fault, it's the manufacturer's responsibility; if it's the customer's fault, it's the customer's responsibility.

CLAIMS AGAINST THE MANUFACTURER'S WARRANTY INCLUDES:

1. Replacement of Missing Parts on new equipment.
2. Replacement of Defective Parts within the warranty period.
3. Repair of Defects within the warranty period.

All claims MUST be substantiated with the following information:

1. Model Number, Serial Number and/or Data Code of unit involved.
2. Date unit was purchased or first put into service.
3. Date of Failure.
4. Nature of Failure.