

# OWNER'S MANUAL

- ASSEMBLY
- OPERATION
- MAINTENANCE
- PARTS LIST

Model Nos.

92502-0865-02

- 118-110A

92902-0986-01

118-120A

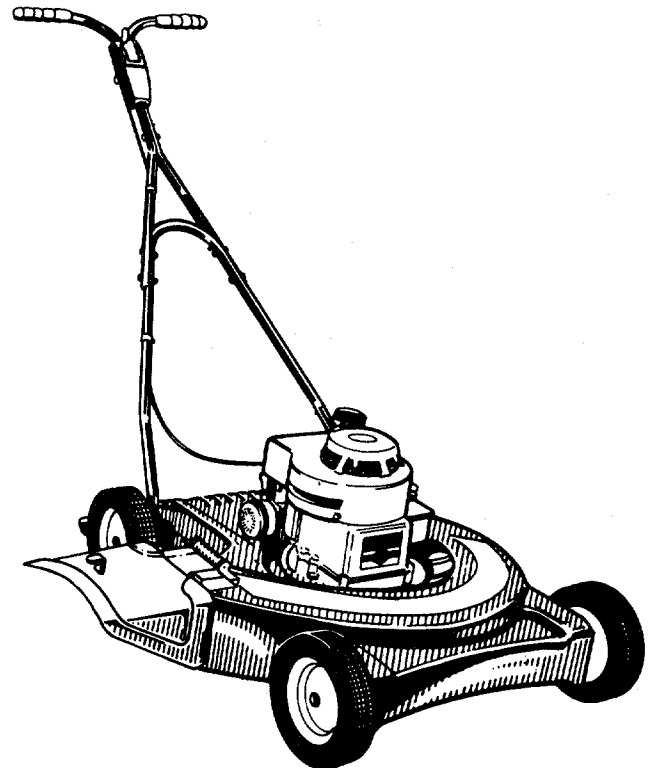
118-110-300

118-120-300

## Important:

Read Safety Rules and  
Instructions Carefully

# 20 & 22" ROTARY MOWERS



## **LIMITED WARRANTY**

For one year from the date of original retail purchase, MTD PRODUCTS INC will either repair or replace, at its option, free of charge, F.O.B. factory or authorized service firm, any part or parts found to be defective in material or workmanship. Transportation charges under this warranty must be paid by the purchaser unless return is requested by MTD PRODUCTS INC.

This warranty will not apply to any part which has become inoperative due to misuse, excessive use, accident, neglect, improper maintenance, alterations, or unless the unit has been operated and maintained in accordance with the instructions furnished. This warranty does not apply to the engine, motor, battery, battery charger or component parts thereof. Please refer to the applicable manufacturer's warranty on these items.

This warranty will not apply where the unit has been used commercially.

Warranty service is available through your local authorized service dealer or distributor. If you do not know the dealer or distributor in your area, please write to the Customer Service Department of MTD.

The return of a complete unit will not be accepted by the factory unless prior written permission has been extended by MTD.

This warranty gives you specific legal rights. You may also have other rights which vary from state to state.

### **WARNING TO PURCHASERS OF INTERNAL COMBUSTION ENGINE EQUIPPED MACHINERY OR DEVICES IN THE STATE OF CALIFORNIA**

The equipment which you have just purchased does not have a spark arrester. If this equipment is used on any forest covered land, brush covered land, or grass covered unimproved land in the State of California, before using on such land, the California law requires that a spark arrester be provided. In addition, spark arrester is required by law to be in effective working order. The spark arrester must be attached to the exhaust system and comply with Section 4442 of the California Public Resources Code.

# **IMPORTANT**

It is suggested that this manual be read in its entirety before attempting to assemble or operate. Keep this manual in a safe place for future reference and for ordering replacement parts.

This unit is shipped WITHOUT GASOLINE or OIL. After assembly, see operating section of this manual for proper fuel and amount.

Your rotary mower is a precision piece of power equipment, not a plaything. Therefore exercise extreme caution at all times.

## **SAFE OPERATION PRACTICES FOR WALK-BEHIND MOWERS**

### **TRAINING**

1. Read the Operating and Service Owner's Manual carefully. Be thoroughly familiar with the controls and the proper use of the equipment.
2. Never allow children to operate a power mower. Only persons well acquainted with these rules of safe operation should be allowed to use your mower.
3. Keep the area of operation clear of all persons, particularly small children and pets. Stop engine when they are in the vicinity of your mower. Although the area of operation should be completely cleared of foreign objects, a small object may have been overlooked and could be accidentally thrown by the mower in any direction.

### **PREPARATION**

1. Thoroughly inspect the area where the equipment is to be used and remove all stones, sticks, wire, bones and other foreign objects which could be picked up and thrown by the mower in any direction.
2. Do not operate equipment when barefoot or wearing open sandals. Always wear substantial footwear.
3. Do not wear loose fitting clothing that could get caught on the mower.
4. Check the fuel before starting the engine. Do not fill the gasoline tank indoors, when the engine is running, or while the engine is still hot. Wipe off any spilled gasoline before starting the engine.
5. Disengage the self-propelled mechanism or drive clutch on units so equipped before starting the engine.
6. Never attempt to make a wheel or cutting height adjustment while the engine is running.
7. Mow only in daylight or in good artificial light.
8. Never operate the equipment in wet grass. Always be sure of your footing; keep a firm hold on the handle and walk, never run.

### **OPERATION**

1. Do not change the engine governor settings or overspeed the engine. Excessive engine speeds are dangerous.
2. Do not put hands or feet near or under rotating parts. Keep clear of the discharge opening at all times.
3. Stop the blade(s) when crossing gravel drive, walks or roads.
4. After striking a foreign object, stop the engine, remove the wire from the spark plug, 3

thoroughly inspect the mower for any damage, and repair the damage before restarting and operating the mower.

5. If the equipment should start to vibrate abnormally, stop the engine and check immediately for the cause. Vibration is generally a warning of trouble.
6. Stop the engine whenever you leave the mower, before cleaning the mower housing, and when making any repairs or inspections.
7. When cleaning, repairing or inspecting, make certain the blade and all moving parts have stopped. Disconnect the spark plug wire, and keep the wire away from the plug to prevent accidental starting.
8. Before attempting to unclog the mower or discharge chute, stop the engine and be sure the blade(s) have stopped completely. Disconnect the spark plug wire and keep the wire away from the plug to prevent accidental starting.
9. Do not run the engine indoors.
10. Shut the engine off and wait until the blade comes to a complete stop before removing the grass catcher.
11. Mow across the face of slopes, never up-and-down. Exercise extreme caution when changing direction on slopes. Do not mow excessively steep slopes.
12. Always disconnect electric mowers (line operated) before cleaning, repairing or adjusting.
13. Never operate mower without proper guards, plates or other safety protective devices in place.
14. Keep washout ports and other mower-housing service openings closed when mowing.

### **MAINTENANCE AND STORAGE**

1. Check the blade and engine mounting bolts at frequent intervals for proper tightness.
2. Keep all nuts, bolts, and screws tight to be sure the equipment is in safe working condition.
3. Never store the equipment with gasoline in the tank inside of a building where fumes may reach an open flame or spark. Allow the engine to cool before storing in any enclosure.
4. To reduce fire hazard, keep the engine free of grass, leaves, or excessive grease.
5. Check the grass catcher bag frequently for wear or deterioration. For safety protection replace only with new bag meeting original equipment specifications.

# ASSEMBLY

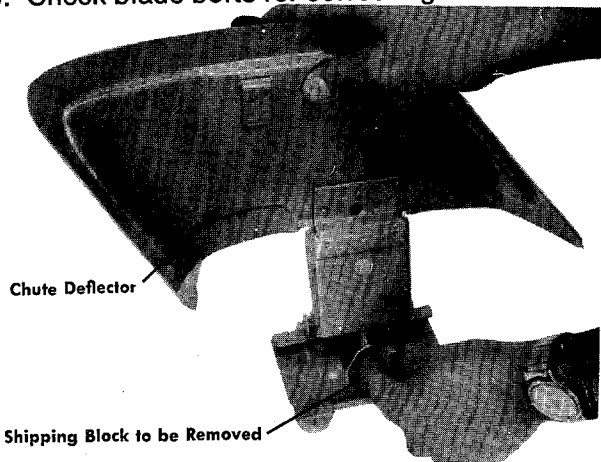
## Handle Assembly

1. Assemble upper handle to lower handle using four each screws and locknuts provided in parts bag.
2. Assemble complete handle assembly to mower so that throttle control mounting hole in upper handle will be on right side. Holes at bottom of lower handle are to be fitted over studs located in front of each rear wheel mounting position.
3. Position throttle control assembly on right hand side of upper handle so that holes in control assembly and handle are in line. Secure in place with screw and locknut found in parts bag. Secure throttle wire to lower right handle tube with cable ties in parts bag. Cut off excess end of ties.



It may be necessary to bend the ends of the lower handle inward slightly to assure a snug fit against the deck mounting area.

4. Place the plastic control cover over the throttle control and secure with two self-tapping screws.
5. Slip hand grips on the upper end of each handle. They will slip on more easily if you first soak them in warm soapy water.
6. Check blade bolts for correct tightness.



Please note that the chute deflector on your mower is in an upright position. It is held in that position by a shipping block. This block is used for shipping purposes only. It must be removed and discarded before your mower is put into operation.

# OPERATION



For shipping purposes your mower is set with the wheels in a low cutting height position. For best results raise the cutting position until it is determined which height is best for your lawn. See adjustments.

1. Service engine with gas and oil. See engine manual packed with lawn mower for complete instructions for care and maintenance of engine. **READ DIRECTIONS CAREFULLY.**
2. When ready to start engine, place throttle control lever, on handle, in "START" position and start engine in accordance with instructions in Engine Manual. After engine starts, move throttle control lever, on handle, to desired engine speed. The engine is stopped by placing control lever on handle in the "STOP" position.
3. Be sure that lawn is clear of stones, sticks, wire or other objects which could damage lawn mower or engine. For best results and to insure more even grass distribution, do not mow when lawn is excessively wet.

## ADJUSTMENTS



Do not at any time make any adjustment to lawn mower without first stopping engine and disconnecting spark plug wire.

### EASY CUTTING HEIGHT

An adjusting plate and thumb lever at each wheel position provides cutting height adjustment. Each adjusting plate has five holes. Height of cut will be changed when the thumb lever is moved from one hole to another. Simply depress thumb lever towards wheel and move wheel and lever assembly to desired position. All wheels must be positioned in relative height of cut positions.

### THROTTLE

If adjustment becomes necessary, the throttle control wire assembly can be reset as follows:

1. Loosen, but do not remove, screw securing throttle control wire assembly at engine.
2. Move throttle control lever on handle to "FAST" position.
3. Move lever, to which control wire is fastened at engine, to full open position and retighten screw to secure throttle control wire assembly.

# LUBRICATION



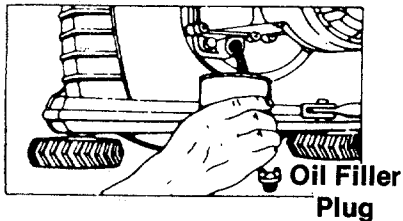
## IMPORTANT

Always stop engine and disconnect spark plug wire before cleaning, lubricating or doing any kind of work on lawn mower.

**Wheels**—Wheel bearings are of lifetime Fortiflex. They require no lubrication.

**Protective Shield**—The pivot points on the protective shield should be lubricated periodically with light oil to prevent any rust or binding up.

### NOTE: FILL AND DRAIN OIL FROM OIL FILL PLUG.



Always disconnect spark plug cable during repairs, refueling or changing oil. Engine oil may be drained through oil filler opening by tilting the mower on its side. Change oil after first 5 hours of operation while engine is warm. Thereafter, change oil every 25 hours of operation while engine is warm.

**Chute Deflector**—The torsion spring and pivot point should be lubricated periodically with light oil to prevent any rust or binding up. Deflector should work freely.

**Throttle**—Periodically lubricate throttle control lever and throttle wire assembly with a few drops of light oil (SAE No. 10 or 20) for ease of operation.

**Engine**—Follow engine manual for lubrication instructions.

# MAINTENANCE

**Cutting Blade**—The blade may easily be removed for grinding or replacement as follows:

1. Remove bolt and lockwasher holding blade and blade adapter to engine crankshaft.
2. Remove blade and blade adapter from engine crankshaft.
3. Remove two bolts, lockwashers and nuts holding blade to blade adapter (if necessary).

When sharpening blade, follow the original angle of grind as a guide. It is extremely important that each cutting edge receives an equal amount of grinding to prevent an unbalanced blade. An unbalanced blade will cause excessive vibration

when rotating at high speeds and may cause damage to the mower.

To insure safe operation of your unit, ALL nuts and bolts must be checked periodically for correct tightness.

**Deck**—The underside of the mower deck should be cleaned after each period of use as grass clippings, leaves, dirt and other matter will accumulate. This accumulation of grass clippings, etc., is undesirable as it will invite rust and corrosion and may cause an uneven discharge of grass clippings at the next cutting.

The deck may be cleaned by tilting the mower forward or on its side and scraping clean with a suitable tool or by washing with a stream of water from a garden hose.



## CAUTION

Do not direct the stream of water at a hot engine, as damage to the engine may result.

# STORAGE

The following steps should be taken to prepare lawn mower for storage:

1. Clean and lubricate mower thoroughly as described in the preceding instructions.
2. Refer to engine manual for correct engine storage instructions.
3. Coat mower's cutting blade with chassis grease to prevent rusting.
4. Place blocks under deck to raise tires clear of floor.
5. Store mower in a dry, clean area.

# USING YOUR ROTARY MOWER

For best results, do not cut wet grass because it tends to stick to underside of the mower thus preventing proper discharge of grass clippings. If wet grass must be cut, reduce walking speed to help distribute the clippings more effectively.

New grass should be treated as wet grass, otherwise a normal walking speed is about the right pace for efficient mowing. The best mowing pattern is one that allows the clippings to discharge towards the uncut part of the lawn. This permits recutting of the clippings to further pulverize them. When cutting high weeds, discharge towards cut portion, then recut at right angles to first direction.

Lawn should be cut in the fall as long as there is growth.

# HANDLE STORAGE

The handle may be put in a storage position by pressing inward on the lower handle and moving it forward. To put the handle back into the operating position simply pull the handle back. It will lock automatically.



## NOTE

The manufacturer **DOES NOT** recommend the use of any accessory on this rotary mower other than those manufactured by MTD Products Inc.

GRASS CATCHER Model No. 198 003A is available as optional equipment for the mowers shown in this manual.



## WARNING

1. The mower should not be operated without the entire grass catcher or chute deflector in place.
2. The mower should not be operated without the protective shield on the rear of the deck in place.



## NOTE:

Under normal usage bag material is subject to wear and should be checked periodically. Be sure any replacement bag complies with the mower manufacturer's recommendations.

For replacement bags, use only factory authorized replacement bag No. 764-0119.



## IMPORTANT

After striking a foreign object, stop the engine, remove wire from spark plug. Thoroughly inspect the mower for any damage, and repair the damage before restarting and operating the mower.

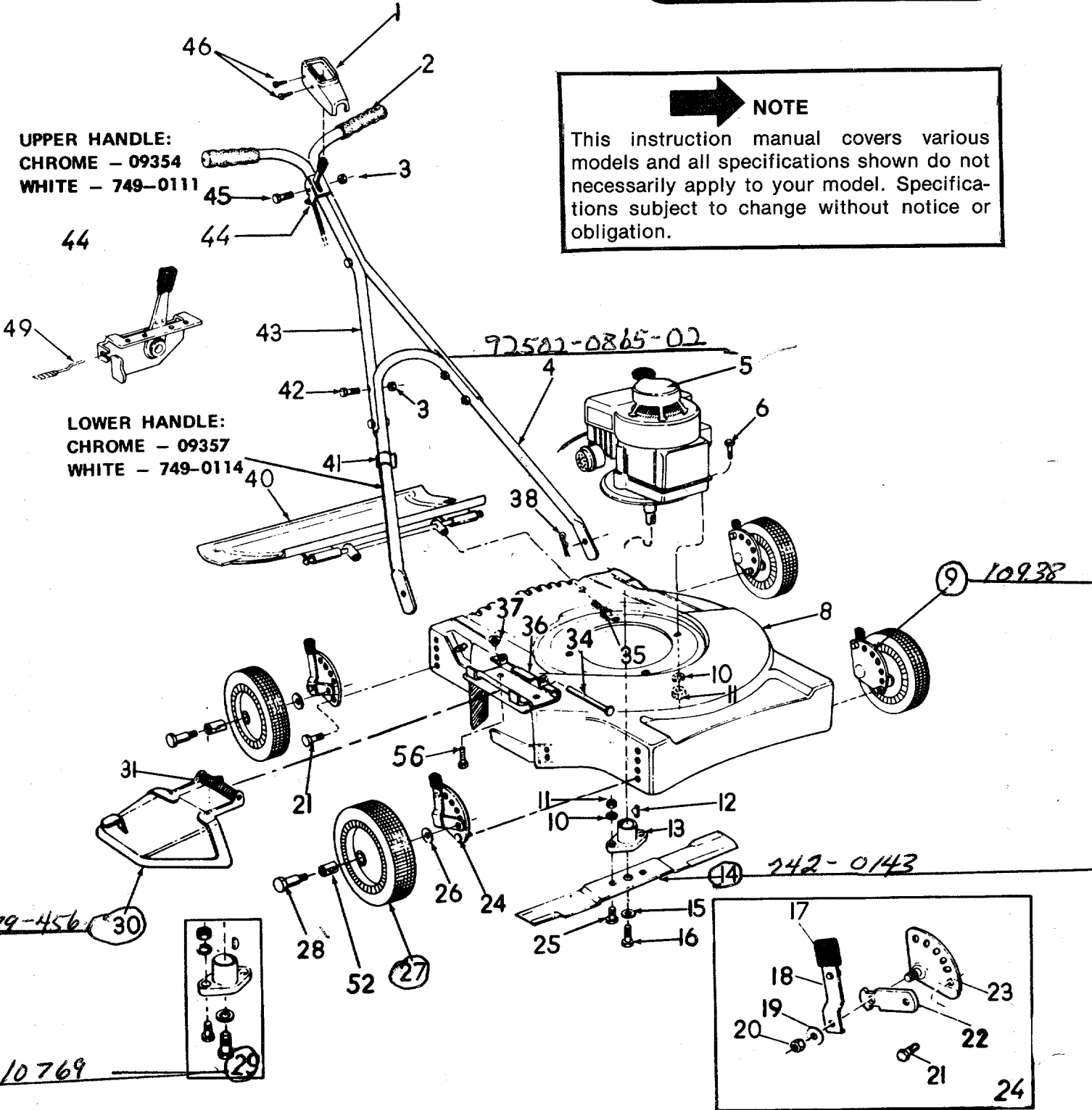
# NOTES

*use 198-003A as optional equipment*

# 118-110A 118-120A

IF YOU WRITE TO US ABOUT THIS ARTICLE  
OR IF YOU ORDER REPLACEMENT PARTS AL-  
WAYS MENTION THIS MODEL & SERIAL NO  
MODEL

**NOTE**  
This instruction manual covers various  
models and all specifications shown do not  
necessarily apply to your model. Specifica-  
tions subject to change without notice or  
obligation.





**PARTS LIST FOR MOWER MODELS 118-110A AND 118-120A**

Ref. No.	Part No. 118-110A	Color Code	Part No. 118-120A	Color Code	Description	New Part
1	11608		11608		Throttle Control—Cover	
2	720-0157		720-0157		Grip	
3	712-0107		712-0107		Hex Center Locknut ¼-20 Thd.	
4	09356		09357		Lower Handle	
5	—		—		Engine	
6	710-0158		710-0158		Hex Hd. Cap Scr. 5/16-24 x 1¼" Lg.*	
8	11409 —456		11411 —456		Deck Assembly	
9	10938		10938		Height Adjuster Assembly—Comp. L.H.	
10	736-0119		736-0119		Spring-Lockwasher 5/16" Scr.*	
11	712-0123		712-0123		Hex Nut 5/16-24 Thd.*	
12	714-0365		714-0365		#6 Hi-Pro Key 5/32 x 5/8" Dia.	
13	10769		10769		Blade Adapter Kit	
14	742-0123		742-0125		Blade	
15	736-0217		736-0217		Spring Lockwasher 3/8" Scr.—H.D.	
16	710-0459		710-0459		Hex Hd. Cap Scr. 3/8-24 x 1½" Lg.—H.T.	
17	07520		07520		Knob—Height Adjuster	
18	10949		10949		Spring Lever Ass'y. with Knob	
19	736-0219		736-0219		Belleville Washer .400 I.D. x 1.130 O.D.	
20	712-0116		712-0116		Elastic Stopnut	
21	710-0209		710-0209		Sems Hex Hd. Cap Scr. 3/8-16 x 5/8" Lg.	
22	10937		10937		Pivot Bar	
23	10934		10934		Index Plate Assembly—R.H.	
	10935		10935		Index Plate Assembly—L.H.	
24	10941		10941		Height Adjuster Ass'y.—Comp. R.H.	
25	710-0117		710-0117		Hex Hd. Cap Scr. 5/16-24 x 1" Lg.—H.T.	
26	736-0105		736-0105		Belleville Washer 3/8" Scr.	
27	09392-513		09392-514		Wheel Ass'y.—Comp.	
28	738-0102		738-0102		Axle Bolt	
29	10769		10769		Blade Adapter Kit	
30	11679 —456		11679 —456		Chute Deflector Assembly	
31	732-0253		732-0253		Torsion Spring	
34	711-0555		711-0555		Pivot Pin	
35	710-0567		710-0567		Hex Hd. Cap Scr. ¼-28 x .62" Lg. Nylock	
36	11130 —456		11130 —456		Adapter Plate	
37	726-0106		726-0106		Push-on Flange Palnut	
38	714-0104		714-0104		Hair Pin cotter	
40	11193 —456		11197 —456		Rear Protective Shield Ass'y.—Comp.	
41	726-0178		726-0178		Cable Ties	
42	710-0606		710-0606		Hex Hd. Cap Scr. ¼-20 x 1.75" Lg.*	
43	09354		09354		Upper Handle	
44	746-0208		746-0208		Throttle Control Assembly—Complete	
45	710-0136		710-0136		Hex Hd. Cap Scr. ¼-20 x 1.50" Lg.*	
46	710-0227		710-0227		Hex Wash. Hd. AB-Tapp Scr. #8 x .38	
49	746-0229		746-0229		Conduit and Wire	
52	07006		07006		Fortiflex Bearing	
56	710-0289		710-0289		Hex Scr. ¼-20 x .50" Lg.*	

N

\*For faster service obtain standard nuts, bolts and washers locally. If these items cannot be obtained locally, order by part number and size as shown on parts list.

(456—Radiant Tangerine)

When ordering parts, if color or finish is important use the appropriate color code shown above (e.g. Radiant Tangerine Finish—11409 (456).)

NOTE: The engine is not under warranty by the mower manufacturer . . . If repairs or service is needed on the engine, please contact your nearest authorized engine service outlet. Check the "Yellow Pages" of your telephone book under "Engines—Gasoline."







# PARTS INFORMATION

## POWER EQUIPMENT PARTS AND SERVICE

Parts and service for all MTD manufactured power equipment are available through the authorized service firms listed below. All orders should specify the model number of your unit, parts number, description of parts and the quantity of each part required.

<b>ALABAMA</b>	<b>BIRMINGHAM</b>	
Auto Electric & Carburetor Co.	2625 4th Ave. S.	35233
<b>ARKANSAS</b>	<b>NORTH LITTLE ROCK</b>	
Sutton's Lawn Mower Shop	Rt. 4, Box 368	72117
	<b>FORT SMITH</b>	
Mity Mite Motors, Inc.	2515 Towson Ave.	72901
<b>CALIFORNIA</b>	<b>PORTERVILLE</b>	
Billious	75 North D Street	93257
	<b>SAN BERNARDINO</b>	
Lawn Mower Supply Co.	25608 E. Baseline	92410
	<b>SAN FRANCISCO</b>	
J.W. Jewett Co.	981 Folsom St.	94107
	<b>SACRAMENTO</b>	
Luttig & Severson	2030 28th St.	95818
<b>COLORADO</b>	<b>DENVER</b>	
South Denver Lawn Equip.	527 West Evans	80223
<b>CONNECTICUT</b>	<b>SUFFIELD</b>	
The Jones & Ramsey Co.	850 Thompsonville Rd.	06078
<b>FLORIDA</b>	<b>JACKSONVILLE</b>	
Radco Distributors	2403 Market St.	32206
	<b>CORAL GABLES</b>	
Moz-All of Florida, Inc.	365 Greco Ave.	33146
<b>GEORGIA</b>	<b>EAST POINT</b>	
East Point Cycle & Key	2834 Church St.	30344
<b>ILLINOIS</b>	<b>LYONS</b>	
Keen Edge Co.	8615 Ogden Ave.	60534
<b>INDIANA</b>	<b>ELKHART</b>	
Parts & Sales Inc.	2101 Industrial Pkwy.	46514
<b>IOWA</b>	<b>DUBUQUE</b>	
Power Lawn & Garden Equip.	2551 J.F. Kennedy	52001
<b>LOUISIANA</b>	<b>NEW ORLEANS</b>	
Suhren Engine Co.	8330 Earhart Blvd.	70118
<b>MARYLAND</b>	<b>TAKOMA PARK</b>	
Center Supply Co.	6867 New Hampshire Ave.	20012
<b>MASSACHUSETTS</b>	<b>SPRINGFIELD</b>	
Morton B. Collins Co.	300 Birnie Ave.	01107
<b>MICHIGAN</b>	<b>MOUNT CLEMENS</b>	
Power Equipment Dist.	36463 South Gratiot	48043
	<b>LANSING</b>	
Lorenz Service Co.	2500 S. Pennsylvania	48900
<b>MINNESOTA</b>	<b>MINNETONKA</b>	
Hance Distributing Inc.	11212 Wayzata Blvd.	55343
<b>MISSISSIPPI</b>	<b>BILOXI</b>	
Biloxi Sales & Service, Inc.	506 Caillavet St.	39533
<b>MISSOURI</b>	<b>KANSAS CITY</b>	
Automotive Equip. Service	3117 Holmes St.	64109
	<b>ST. LOUIS</b>	
Henzler, Inc.	2015 Lemay Ferry Rd.	63125
<b>NEW JERSEY</b>	<b>BELLMAWR</b>	
Lawnmower Parts Inc.	717 Creek Rd., P.O. Box 7	08030

## BRIGGS & STRATTON, TECUMSEH AND PEERLESS PARTS AND SERVICE

Briggs & Stratton, Tecumseh and Peerless parts and service should be handled by your nearest authorized engine service firm. Check the yellow pages of your telephone directory under the listing **Engines—Gasoline**, Briggs & Stratton or Tecumseh Lauson.

<b>NEW YORK</b>	<b>CARTHAGE</b>	
Gamble Dist., Inc.	West End Ave.	13619
<b>NORTH CAROLINA</b>	<b>GREENSBORO</b>	
Dixie Sales Company	327 Battleground Ave.	27402
	<b>GOLDSBORO</b>	
Smith Hardware Co.	515 N. George St.	27530
<b>OHIO</b>	<b>WADSWORTH</b>	
National Central	687 Seville Rd.	44281
	<b>CLEVELAND</b>	
Bleckrie, Inc.	7900 Lorain Ave.	44102
	<b>CARROLL</b>	
Stebe's Mid-State Mower Supply	Box 366	43112
	<b>WILLARD</b>	
Sunshine Wholesale Tire Outlet	Route 224	44890
<b>OKLAHOMA</b>	<b>MUSKOGEE</b>	
Victory Motors, Inc.	605 S. Cherokee	74401
	<b>ADA</b>	
Ada Auto Supply	301 E. 12th St.	74820
<b>OREGON</b>	<b>PORTLAND</b>	
Kenton Supply Co.	8216 N. Denver Ave.	97217
<b>PENNSYLVANIA</b>	<b>LANCASTER</b>	
Raub Supply Co.	James & Mulberry Sts.	17604
	<b>PITTSBURGH</b>	
Bluemont Co.	11125 Frankstown Rd.	15235
<b>TENNESSEE</b>	<b>KNOXVILLE</b>	
Master Repair Service	2423 Broadway, N.E.	37917
	<b>MEMPHIS</b>	
Memphis Cycle & Supply Co.	421 Monroe Ave.	38109
American Sales & Service, Inc.	1922 Lynnbrook	38109
<b>TEXAS</b>	<b>DALLAS</b>	
Marr Brothers, Inc.	423 E. Jefferson	75203
	<b>HOUSTON</b>	
Bullard Supply Co.	2409 Commerce St.	77003
	<b>SAN ANTONIO</b>	
Catto & Putty, Inc.	P.O. Box 2408	78206
	<b>FORT WORTH</b>	
Woodson Sales Corp.	1702 N. Sylvania	76111
<b>UTAH</b>	<b>SALT LAKE CITY</b>	
A-1 Engine & Mower Co.	437 E. 9th St.	84111
<b>VERMONT</b>	<b>BURLINGTON</b>	
Vermont Appliance Co.	44 Lakeside Ave.	05401
<b>VIRGINIA</b>	<b>RICHMOND</b>	
RBI Corp.	963 Myers St.	23260
<b>WASHINGTON</b>	<b>SEATTLE</b>	
Bailey's Rebuild, Inc.	1325 E. Madison St.	98102
<b>WEST VIRGINIA</b>	<b>CHARLESTON</b>	
Young's, Inc.	233 Virginia St., E.	25301
<b>WISCONSIN</b>	<b>APPLETON</b>	
Automotive Supply Co.	123 S. Linwood Ave.	54911

### WARRANTY PARTS AND SERVICE POLICY

The purpose of warranty is to protect the customer from defects in workmanship and materials, defects which are NOT detected at the time of manufacture. It does not provide for the unlimited and unrestricted replacement of parts. Use and maintenance are the responsibility of the customer. The manufacturer cannot assume responsibility for conditions which it has no control. Simply put, if it's the manufacturer's fault, it's the manufacturer's responsibility; if it's the customer's fault, it's the customer's responsibility.

#### CLAIMS AGAINST THE MANUFACTURER'S WARRANTY INCLUDES

1. Replacement of Missing Parts on new equipment.
2. Replacement of Defective Parts within the warranty period.
3. Repair of Defects within the warranty period.

All claims MUST be substantiated with the following information:

1. Model Number of unit involved.
2. Date unit was purchased or first put into service.
3. Date of failure.
4. Nature of failure.