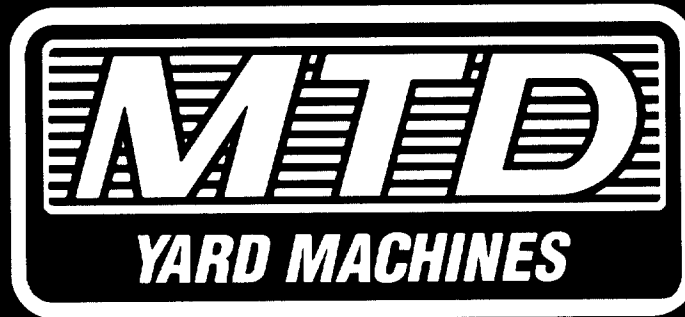


# ILLUSTRATED PARTS

AMERICAN  AMERICAN  
M A D E O W N E D  
OUTDOOR POWER EQUIPMENT

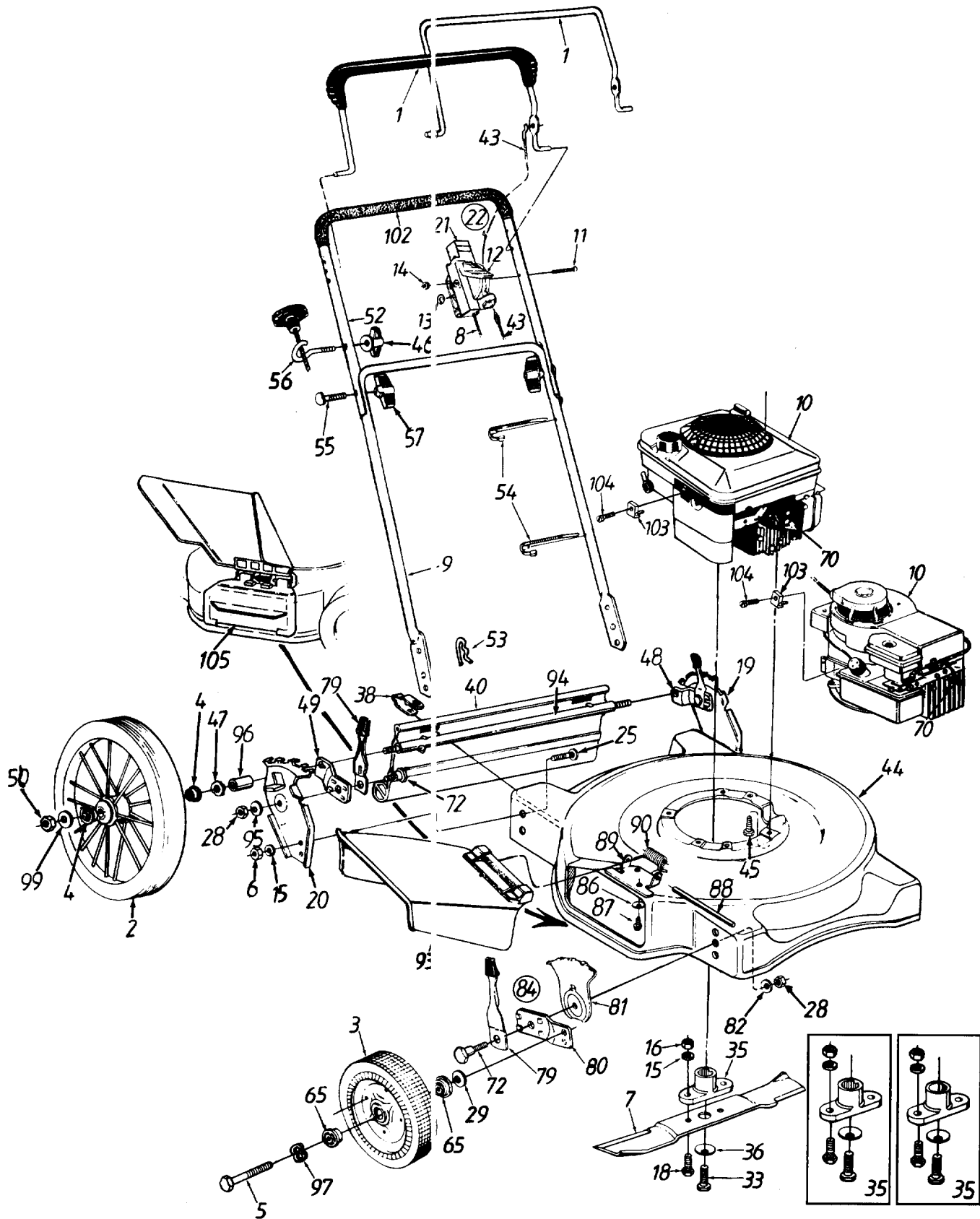


## 1996

## PUSH MOWERS

<b>Model Number</b>	<b>Pages</b>
116-504A000 thru 116-508T000 .....	2, 3
116-518A000 thru 116-518N000 .....	4, 5
116-733A000 thru 116-738N000 .....	6, 7
Engine Shrouds .....	8




# Models 504 thru 508



# Models 504 thru 508

## PARTS LIST FOR MODELS 504 THRU 508 ROTARY MOWERS

REF. NO.	PART NO.	CODE	DESCRIPTION	REF. NO.	PART NO.	CODE	DESCRIPTION
1	747-0824 647-0004 747-0615		Control Handle (Std.) Control Handle (Deluxe) Control Handle (116-508L022/722)	49 50 52	782-0520 712-3020 749-0538C 749-0920A		Small Pivot Bar—R.H. Hex Jam Nut 3/8-16 Thd. Upper Handle Upper Handle (116-508L022/722)
2	734-1661		16" Wheel Ass'y.	53	714-0104		Intern. Cot. Pin 5/16" Dia.
3	**		Front Wheel Ass'y.	54	726-0240		Cable Tie
4	741-0484		Bearing 1/2" I.D.	55	710-1174		Curved Hd. Bolt 5/16-18 x 2" Lg.
5	738-0102		Front Axle Bolt	56	710-1205		Rope Guide
6	712-0328		Hex Nut 3/8-24 Thd. (Gr. 8)	57	720-0276		Hand Knob
7	742-0622 742-0722		22" Blade 22" Mulching Blade (Optional)	65 70	** 735-0639		Bearing Spark Plug Boot (Optional)
8	746-0842		Throttle Control Wire—51"	72	738-0507B		Shoulder Bolt .50" Dia.
9	749-0928		Lower Handle	79	14832		Spring Lever Ass'y. w/Knob
10	—		Engine	80	15262B		Pivot Bar
11	710-0605		Oval C-Sunk Mach. Scr.	81	15261A		Height Adj. Plate
12	746-0876		Throttle Lever	82	736-0356		Bell-Wash. .39" I.D. x 1.38"
13	736-0501		Spr. Wash. .66" I.D.	84	14578		Front Height Adj. Ass'y. Comp.—R.H.
14	712-0324		Hex L-Nut 1/4-20 Thd.				Front Height Adj. Ass'y. Comp.—L.H. (Not Shown)
15	736-0169		L-Wash. 3/8" I.D.*		14579		Bell-Wash. .285" I.D. x .75"
16	712-0241		Hex Nut 3/8-24 Thd.	86	736-0270		Hex Wash. Hd. Tap Scr. 1/4-20 x .5" Lg.
17	712-0431		Flange L-Nut 3/8-18 Thd.	87	710-0599		Hinge Pin
18	710-1055		Hex Bolt 3/8-24 x 1.0" Lg.				Adapter Plate
19	682-0517		Handle Brkt. Ass'y.—L.H.	88	747-0710		Torsion Spring
20	682-0518		Handle Brkt. Ass'y.—R.H.	89	17032		Chute Deflector Ass'y. Comp.
21	646-0875		Throttle Body	90	732-0593		Rear Axle
22	811-00185		Throttle Box Comp. (Incl. Ref. 11, 12, 13, 14, 21)	93	731-1034		Bell-Wash. .39" I.D. x 1.13"
25	710-0793		Ribbed Neck Bolt 3/8-24 x .80"	94	738-0878		Spacer .55" I.D. x .75"
28	712-0798		Hex Nut 3/8-16 Thd.*	95	736-0331		Wave Washer .51" I.D. (Used w/Ball Brg. Wheels)
29	736-0105		Bell-Wash. .400" I.D. x .88"	96	750-0151		Fl-Wash. .406" I.D. x .81"
33	710-1044		Hex Bolt 3/8-24 x 1.5" Lg.	97	736-0504		Spr. Wash. .5" I.D. x 1.0"
35	753-0484		Blade Adapter Kit				Foam Grip (Optional)
36	736-0452		Bell-Wash. .39" I.D.	99	736-3050		Casing Clamp (504, 508)
38	17098		Hinge Clip	100	736-0182		Casing Clamp (507)
40	731-1026		Rear Flap Ass'y.	102	720-0226		Hex Wash. Hd. Tap Scr. #10-32 x .62" Lg. (504, 508)
43	746-0550 746-0737		Control Cable—39" (504, 508) Control Cable—51" (507)	103	751B213146 7510007755		Hex Sems Scr. #10-32 x .3" Lg. (507)
44	682-0221		22" Deck Ass'y.	104	710-1237		Mulching Baffle (Optional)
45	710-0654A		Hex Wash. Hd. TT-Tap Scr. 3/8-16 x 1.00" Lg.		710-0871		
46	720-0297		Handle Knob 1/4-20 Thd.				
47	736-0504		Wave Wash. .51" I.D.	105	731-1386A		
48	782-0519		Small Pivot Bar—L.H.				

**FRONT WHEEL CHART	Bar Tread 	"T" Tread 	"S" Wave Tread 
<b>Wheels w/o Bearings</b>	734-1781 (Gray— No Hub Cap) 634-0020 (Gray— Uses Hub Cap) 734-1782 (Beige)		734-1512A (Gray)
<b>Wheels w/Plastic Brgs. (Brg. Part No. 741-0262)</b>		734-1566	
<b>Wheels with Ball Brgs.† (Brg. Part No. 741-0484)</b>		734-1268	734-1513B (Gray)

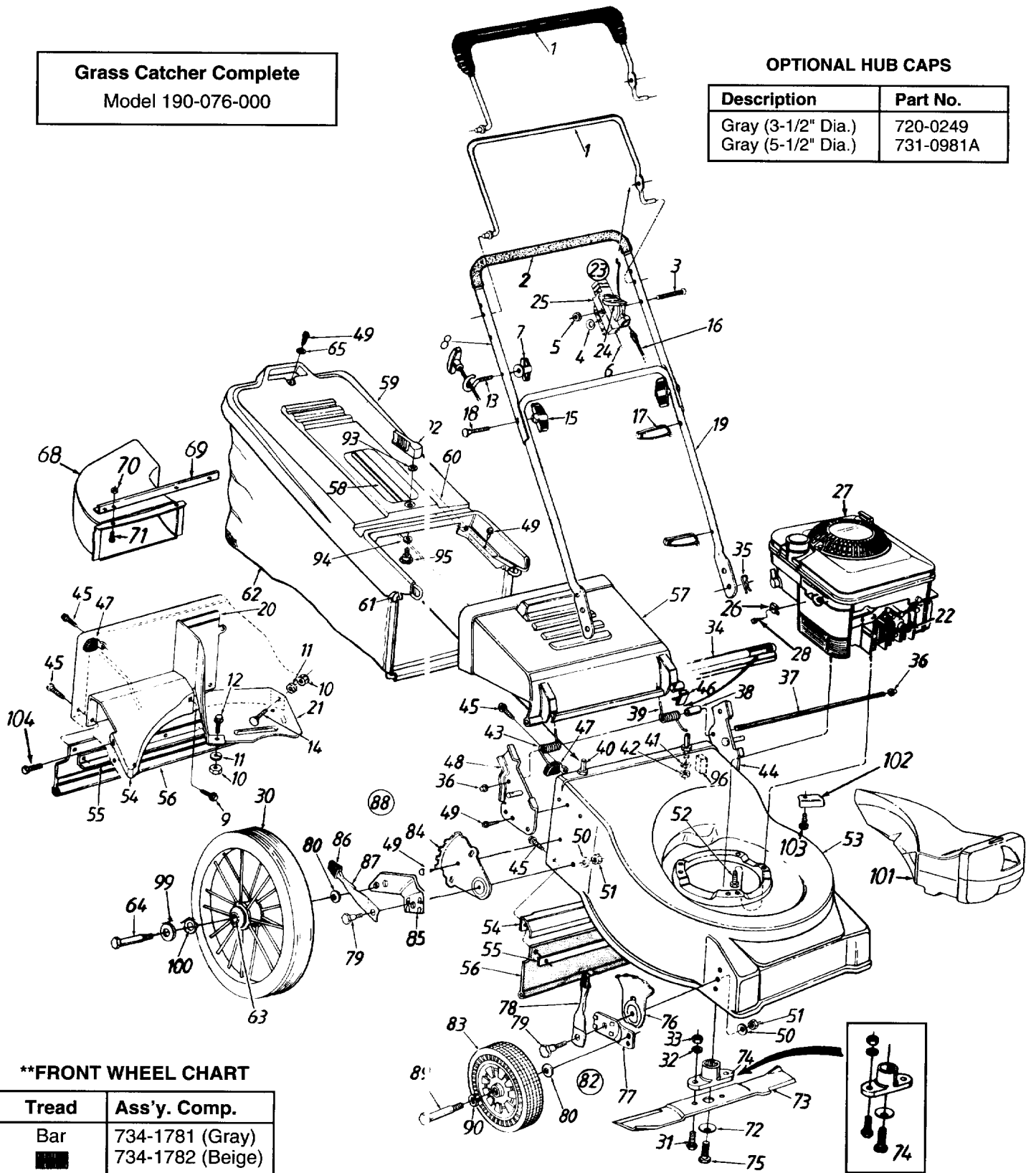
†Require Wave Washer 736-0504

# Model 518

**Grass Catcher Complete**  
Model 190-076-000

## OPTIONAL HUB CAPS

Description	Part No.
Gray (3-1/2" Dia.)	720-0249
Gray (5-1/2" Dia.)	731-0981A



### \*\*FRONT WHEEL CHART

Tread	Ass'y. Comp.
Bar ■	734-1781 (Gray) 734-1782 (Beige)
S-Wave 〰	734-1512A (Gray)

# Model 518

## PARTS LIST FOR MODEL 518 ROTARY MOWER

REF. NO.	PART NO.	CODE	DESCRIPTION	REF. NO.	PART NO.	CODE	DESCRIPTION
1	747-0824		Control Handle Ass'y. (Std.)	53	16998A		21" Deck Ass'y.
	647-0004		Control Handle Ass'y. (Deluxe)	54	17008		Chute Baffle
2	720-0226		Foam Grip (Optional)	55	14847		Retaining Strip 14.25" Lg.
3	710-0605		Oval C-Sunk Scr.	56	731-0669		Rear Flap 17.30" Lg.
4	736-0501		Spr. Wash. .66" I.D.	57	731-0859		Rear Chute Deflector
5	712-0324		Hex L-Nut 1/4-20 Thd.	58	731-0856A		Hardtop Handle
6	746-0843		Throttle Cable—55"	59	731-0857A		Hardtop Bag Cover
7	720-0297		Handle Knob 1/4-20 Thd.	60	749-0736A		Rear Catcher Frame
8	749-0538C		Upper Handle	61	764-0411		Front Catcher Frame
9	710-0352		Hex B-Tap Scr. 1/4 x .38" Lg.	62	764-0252		Grass Bag
10	712-0287		Hex Nut 1/4-20 Thd.*	63	741-0484		Bearing (2 Per Wheel)
11	736-0329		L-Wash. 1/4" I.D.*	64	738-0481		Shld. Bolt .5 Dia. x 2.62"
12	710-0252		Hex Bolt 1/4-20 x .85" Lg.	65	736-0463		Fl-Wash. .281" I.D.
13	710-1205		Rope Guide	68	731-1461		Chute Deflector (Optional)
14	710-0134		Carr. Bolt 1/4-20 x .5" Lg.	69	782-7011		Chute Mounting Brkt. (Optional)
15	720-0276		Hand Knob	70	712-0324		Hex L-Nut 1/4-20 Thd.
16	746-0554		Control Cable—40.5"	71	710-0286		Mach. Scr. 1/4-20 x .5" Lg.
17	726-0240		Cable Tie	72	736-0452		Bell-Wash. .39" I.D.
18	710-1174		Curved Hd. Bolt 5/16-18 x 2" Lg.	73	742-0621		21" Blade
19	749-0928		Lower Handle		742-0721		Mulching Blade (Optional)
20	17007		Rear Panel Baffle	74	753-0484		Blade Adapter Kit
21	17013		Baffle	75	710-1044		Hex Bolt 3/8-24 x 1.5"
22	735-0639		Spark Plug Boot (Optional)	76	15261A		Height Adj. Plate
23	811-00185		Throttle Box Comp. (Incl. Ref. 3, 4, 5, 24, 25)	77	15262B		Pivot Bar
			Throttle Lever	78	14832		Spring Lever Ass'y. w/Knob
24	746-0876		Throttle Body	79	738-0507B		Shld. Bolt .50" Dia. x .357"
25	646-0875		Cable Clamp	80	736-0105		Bell-Wash. .38" I.D. x .88" O.D.
26	751B213146		Engine	82	14578		Height Adj. Ass'y. Comp.—R.H.
27	—		Hex Self-Tap Scr. #10-32 x .62" Lg.		14579		Height Adj. Ass'y. Comp.—L.H. (Not Shown)
28	710-1237		Wheel Ass'y. Comp.—Steel Rim	83	**		Front Wheel Ass'y. Comp.
30	734-1661		Hex Bolt 3/8-24 x 1"	84	14764C		Index Plate
31	710-1055		L-Wash. 3/8" I.D.	85	17488		Pivot Bar—R.H.
32	736-0169		Hex Nut 3/8-24 Thd.		17489		Pivot Bar—L.H. (Not Shown)
33	712-0241		Seal—Extrusion	86	720-0190		Spring Lever Knob
34	731-0858		Int. Cotter Pin 5/16" Dia.	87	732-0417A		Spring Lever
35	714-0104		Cap Speed Nut	88	17490		Rear Height Adj. Ass'y. Comp.—R.H.
36	726-0106		Hinge Pin 17.75" Lg.		17491		Rear Height Adj. Ass'y. Comp.—L.H. (Not Shown)
37	747-0698B		Spacer .255" I.D.	89	738-0102		Front Axle Bolt
38	750-0566		Torsion Spring—L.H.	90	736-0504		Wave Wash. .51" I.D. x .78" O.D. (Used w/Ball Brg.)
39	732-0577A		Shld. Pin 3/8-24 x 1.43" Lg.				Grass Catcher Locking Knob
40	711-0805		L-Wash. 3/8" I.D.*	92	720-0224		Internal L-Wash. 1/4" I.D.
41	736-0169		Hex Jam Nut 3/8-24 Thd.	93	736-0498		Wave Washer 3/8" I.D.
42	712-0711		Torsion Spring—R.H.	94	736-0286		Shld. Bolt .342" Dia. x .268"
43	732-0578A		Handle Brkt. Ass'y.—L.H.	95	738-0137		Plug
44	12297B		Torx Mach. AB-Tap Scr. 1/4 x .62" Lg.	96	731-0564		Fl-Wash. .51" I.D. x 1.373"
45	710-1017		Deflector Plug	99	736-0456		Spr. Wash. .5" I.D. x 1" O.D.
46	731-0970B		Corner Plug	100	731-1446		Mulching Plug (Optional)
47	731-0931		Handle Brkt. Ass'y.—R.H.	101	782-7010		Stop Bracket (Optional)
48	12296B		Hex L-Wash. B-Tap Scr. 1/4 x .62" Lg.	102	710-1006		Hex Tap Scr. 3/8-16 x .75" Lg.
49	710-0896		Bell-Wash. .39" I.D.	103	710-0653		Hex B-Tap Scr. 1/4 x .38" Lg.
50	736-0356		Hex Nut 3/8-16 Thd.*	104			
51	712-0798		Hex L-Wash. Hd. Scr. 3/8-16 x 1" Lg.				
52	710-0654A						

\*For faster service obtain standard nuts, bolts and washers locally.  
If these items cannot be obtained locally, order by part number  
and size as shown on parts list.

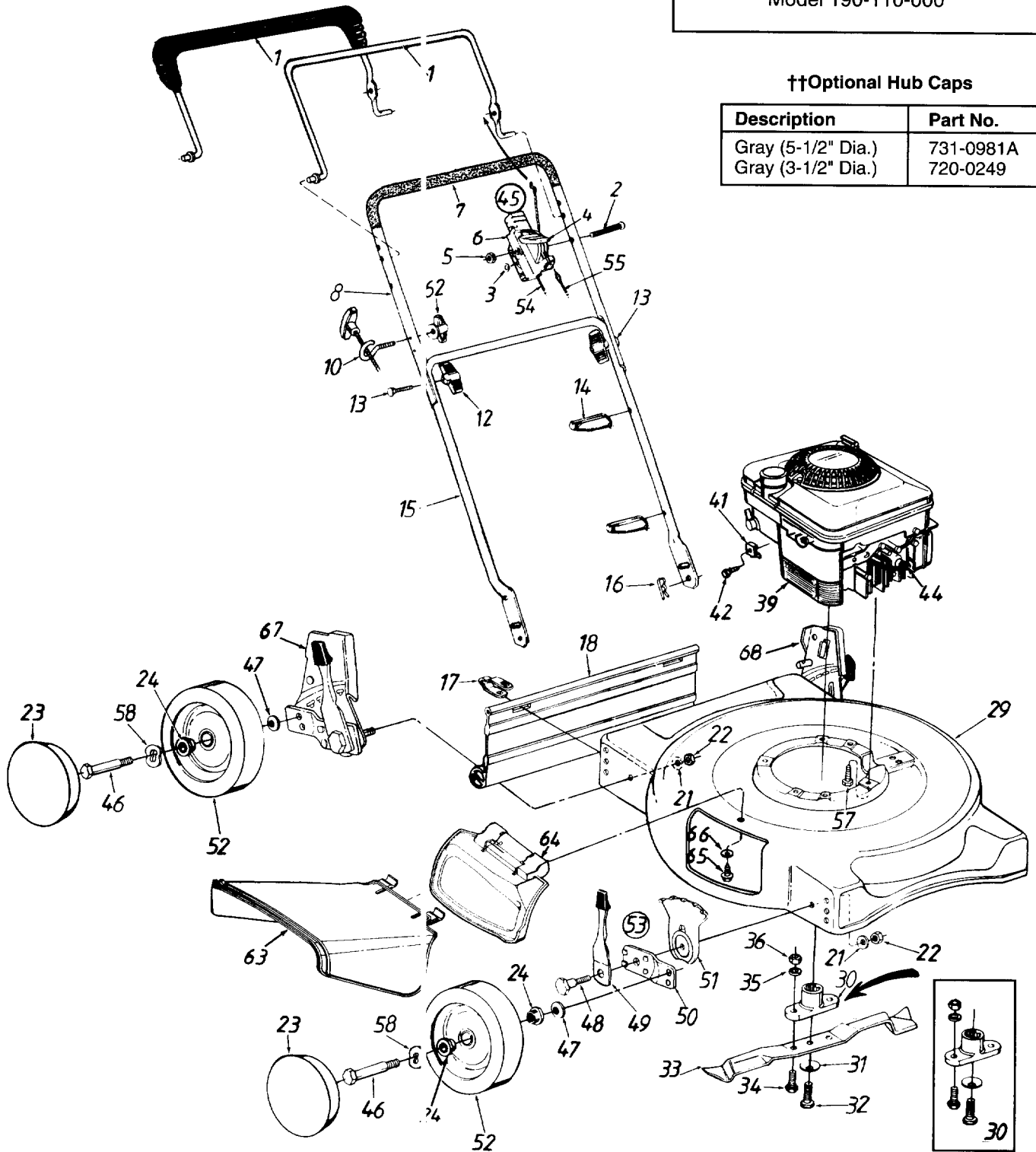
# Models 733 thru 738

## Grass Catcher Complete (Optional)

Model 190-110-000

### ††Optional Hub Caps

Description	Part No.
Gray (5-1/2" Dia.)	731-0981A
Gray (3-1/2" Dia.)	720-0249



# Models 733 thru 738

## PARTS LIST FOR MODELS 733 THRU 738 ROTARY MOWERS

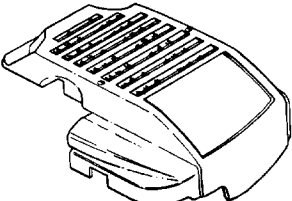
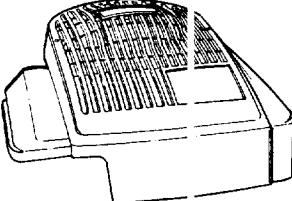
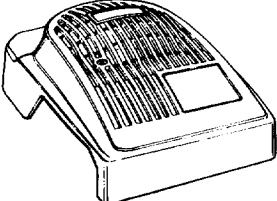
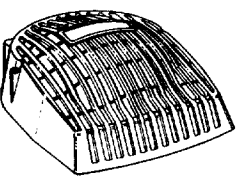
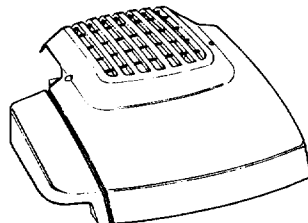
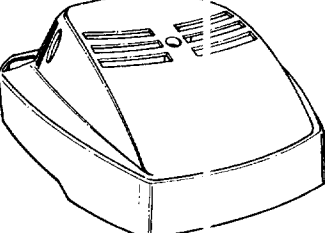
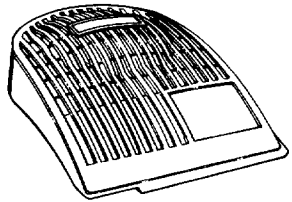
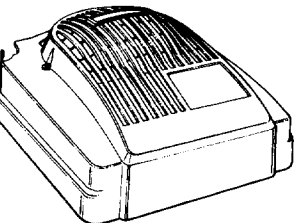
REF. NO.	PART NO.	CODE	DESCRIPTION	REF. NO.	PART NO.	CODE	DESCRIPTION
1	647-0004 747-0824 747-0615		Control Handle Ass'y. (Deluxe) Control Handle (Std.) Control Handle (116-738N022/722)	44 45 46	735-0639 811-00185 738-0102		Spark Plug Boot Throttle Box Comp. (Incl. Ref. 2, 3, 4, 5, 6) Axle Bolt
2	710-0605		Oval C-Sunk Scr.	47	736-0105		Bell-Wash. .400" I.D. x .88"
3	736-0501		Spr. Wash. .66" I.D.	48	738-0507B		Shld. Bolt .50" Dia. x .357"
4	746-0876		Throttle Lever	49	14832		Spring Lever Ass'y. w/Knob
5	712-0324		Hex L-Nut 1/4-20 Thd.	50	15262B		Pivot Bar
6	646-0875		Throttle Body	51	15261A		Height Adj. Plate
7	720-0226		Grip (Optional)	52	**		Wheel Ass'y. Comp.
8	749-0538C 749-0920A		Upper Handle Upper Handle (116-738N022/722)	53 53 54	14578 14579 746-0842		Height Adj. Ass'y. Comp.—R.F. Height Adj. Ass'y. Comp.—L.F. Throttle Cable—51" (734 and 738)
10	710-1205		Rope Guide				Throttle Cable—39" (733 and 735)
12	720-0276		Hand Knob		746-0844		Control Cable—39" (734)
13	710-1174		Curved Hd. Bolt 5/16-18 x 2" Lg.				Control Cable—49" (733 and 735)
14	726-0240		Cable Tie	55	746-0550		Control Cable—36" (738)
15	749-0928		Lower Handle		746-0552		Hex L-Wash. Hd. Scr. 3/8-16 x 1.0" Lg.
16	714-0104		Hairpin Cotter				Wave Washer .51" I.D. (Used w/Ball Bearings)
17	17098		Hinge Clip		746-0553		Handle Knob 1/4-20 Thd.
18	731-0872A		Rear Flap	57	710-0654A		Chute Deflector
21	736-0356		Bell-Wash. .39" I.D. x 1.38"				Mulching Plug
22	712-0798		Hex Nut 3/8-16 Thd.*	58	736-0504		Hex Wash. Hd. TT-Tap Scr. 1/4-20 x .5" Lg.
23	††		Hub Cap				Bell-Wash. 1/4" I.D.
24	**		Bearing (Optional)	62	720-0279		Height Adj. Ass'y. Comp.—R.R.
29	682-0025		20" Deck Ass'y.	63	731-1409		Height Adj. Ass'y. Comp.—L.R.
30	753-0484		Blade Adapter Kit	64	682-7002		
31	736-0452		Bell-Wash. .39" I.D.	65	710-0599		
32	710-1044		Hex Bolt 3/8-24 x 1.5" Lg.				
33	742-0720		20" Mulching Blade	66	736-0270		
34	710-1055		Hex Bolt 3/8-24 x 1" Lg.	67	682-3024		
35	736-0169		L-Wash. 3/8" I.D.*	68	682-3025		
36	712-0241		Hex Nut 3/8-24 Thd.				
39	—		Engine				
41	751B213146 7510007755		Cable Clamp (734 and 738) Cable Clamp (733 and 735)				
42	710-1237  710-0871		Hex Self-Tap Scr. #10-32 x .62" (734 and 738) Sems Scr. #10-32 x .38" Lg. (733 and 735)				

\*For faster service obtain standard nuts, bolts and washers locally.  
If these items cannot be obtained locally, order by part number  
and size as shown on parts list.

**FRONT WHEEL CHART	Bar Tread	"S" Wave Tread
<b>Wheels w/o Bearings</b>	734-1781 (Gray— No Hub Cap) 634-0020 (Gray— Uses Hub Cap)	
<b>Wheels with Ball Brgs.† (Brg. Part No. 741-0484)</b>		734-1513B (Gray)

†Require Wave Washer 736-0504

# OPTIONAL ENGINE SHROUDS

							
<b>Part No.</b> 751B281439 751B281440 751B281443	<b>Color</b> Dark Red Black Bright Red	<b>Part No.</b> 731-1395 731-1396 731-1397	<b>Color</b> Red Black Gray	<b>Part No.</b> 731-1587 731-1603 731-1610	<b>Color</b> Black Yellow Pewter	<b>Part No.</b> 731-1561 731-1612	<b>Color</b> Black Red
<b>Hardware:</b> 710-1256 (Screw)		<b>Hardware:</b> 710-1256 (Screw)		<b>Hardware:</b> 710-1184 (Screw)		<b>Hardware:</b> 7510042823 (Screw)	
							
<b>Part No.</b> 731-1402A 731-1694 731-1695	<b>Color</b> Yellow Black Silver	<b>Part No.</b> 7510014308	<b>Color</b> Black	<b>Part No.</b> 731-1585A	<b>Color</b> Black	<b>Part No.</b> 731-1586A	<b>Color</b> Black
<b>Hardware:</b> 710-1256 (Screw)		<b>Hardware:</b> 7510042823 (Screw)		<b>Hardware:</b> 710-1274 (Screw)		<b>Hardware:</b> 7510042823 (Screw)	