

Owner's Operating Service Instruction Manual

10¢

**Model No.
116-340A**

- ASSEMBLY
- OPERATION
- REPAIR PARTS

22" ROTARY MOWER

I M P O R T A N T

It is suggested that this manual be read in its entirety before attempting to assemble or operate. Keep this manual in a safe place for future reference and for ordering replacement parts.

This unit is shipped WITHOUT GASOLINE or OIL. After assembly, see operating section of this manual for proper fuel and amount.

SAFE OPERATION PRACTICES FOR WALK-BEHIND MOWERS

TRAINING

1. Read the Operating and Service Instruction Manual carefully. Be thoroughly familiar with the controls and the proper use of the equipment.
2. Never allow children to operate a power mower.
3. Keep the area of operation clear of all persons, particularly small children and pets.

PREPARATION

1. Thoroughly inspect the area where the equipment is to be used and remove all stones, sticks, wire, bones and other foreign objects.
2. Do not operate equipment when barefoot or wearing open sandals. Always wear substantial footwear.
3. Check the fuel before starting the engine. Do not fill the gasoline tank indoors, when the engine is running, or while the engine is still hot. Wipe off any spilled gasoline before starting the engine.
4. Disengage the self-propelled mechanism or drive clutch on units so equipped before starting the engine.
5. Never attempt to make a wheel adjustment while the engine is running.
6. Mow only in daylight or in good artificial light.
7. Never operate the equipment in wet grass. Always be sure of your footing; keep a firm hold on the handle and walk, never run.

OPERATION

1. Do not change the engine governor settings or overspeed the engine.
2. Do not put hands or feet near or under rotating parts. Keep clear of the discharge opening at all times.
3. Stop the blade(s) when crossing gravel drive, walks or roads.
4. After striking a foreign object, stop the engine, remove the wire from the spark plug, thoroughly inspect the mower for any damage, and repair the damage before restarting and operating the mower.

5. If the equipment should start to vibrate abnormally, stop the engine and check immediately for the cause. Vibration is generally a warning of trouble.
6. Stop the engine whenever you leave the equipment, before cleaning the mower housing, and when making any repairs or inspections.
7. When cleaning, repairing or inspecting, make certain the blade and all moving parts have stopped. Disconnect the spark plug wire, and keep the wire away from the plug to prevent accidental starting.
8. Do not run the engine indoors.
9. Shut the engine off and wait until the blade comes to a complete stop before removing the grass catcher or unclogging chute.
10. Mow across the face of slopes, never up-and-down. Exercise extreme caution when changing direction on slopes. Do not mow excessively steep slopes.
11. Always disconnect electric mowers (line operated) before cleaning, repairing or adjusting.
12. Never operate mower without proper guards, plates or other safety protective devices in place.
13. Keep washout ports and other mower-housing service openings closed when mowing.
14. **DO NOT OPERATE** this mower with the chute doors open, unless the complete grass catcher is properly mounted on the mower.

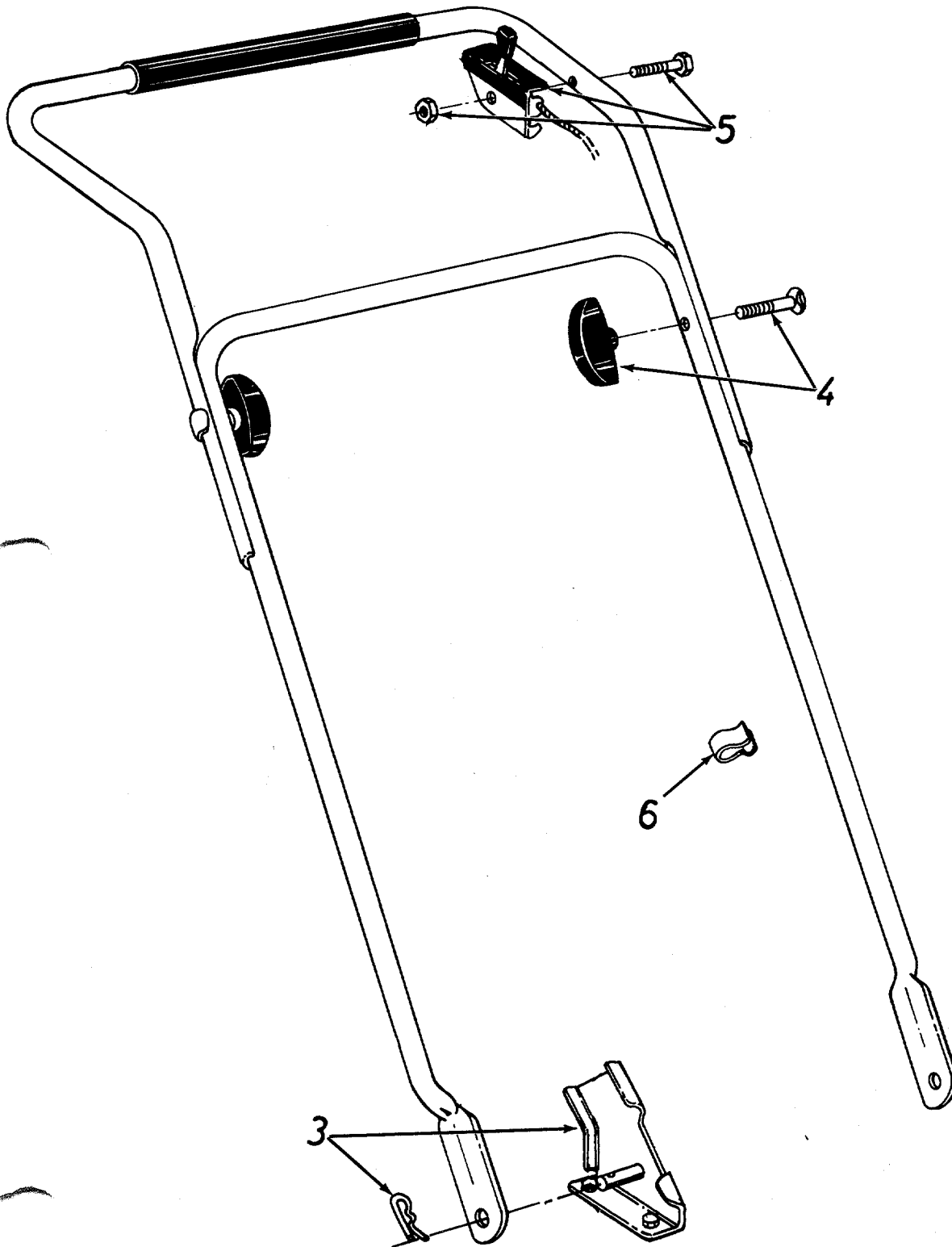
MAINTENANCE AND STORAGE

1. Check the blade and engine mounting bolts at frequent intervals for proper tightness.
2. Keep all nuts, bolts, and screws tight to be sure the equipment is in safe working condition.
3. Never store the equipment with gasoline in the tank inside of a building where fumes may reach an open flame or spark. Allow the engine to cool before storing in any enclosure.
4. To reduce fire hazard, keep the engine free of grass, leaves, or excessive grease.
5. Check the grass catcher bag frequently for wear or deterioration. Replace with new bag for safety protection.

HANDLE ASSEMBLY

Follow instructions starting with number 1 and continue through number 7.

Your new mower is shipped preassembled with the exception of the throttle control, handle and grass catcher (See page 4 for grass catcher assembly).



1. Remove lawnmower and all parts from carton. Make certain that all loose parts and literature have been removed before the carton is discarded.

2. Extend throttle control assembly which is attached to engine at the rear of the mower and place on the floor.

CAUTION: Do not bend or kink control wire.

3. Fasten lower handle in position in handle mount brackets on deck. Secure with cotter pins as shown.

NOTE

It may be necessary to bend the ends of the lower handle inward slightly to assure a snug fit against the bracket mounting area.

4. Assemble the upper and lower handle parts with curved head bolts and handle knobs provided in parts bag. Throttle control mounting hole should be to the operator's left as shown.

5. Fasten the throttle control to the upper handle. Mounting hole should be to the operator's left. Use one hex screw and locknut provided in parts bag.

6. Secure throttle control wire to lower left handle with cable clips.

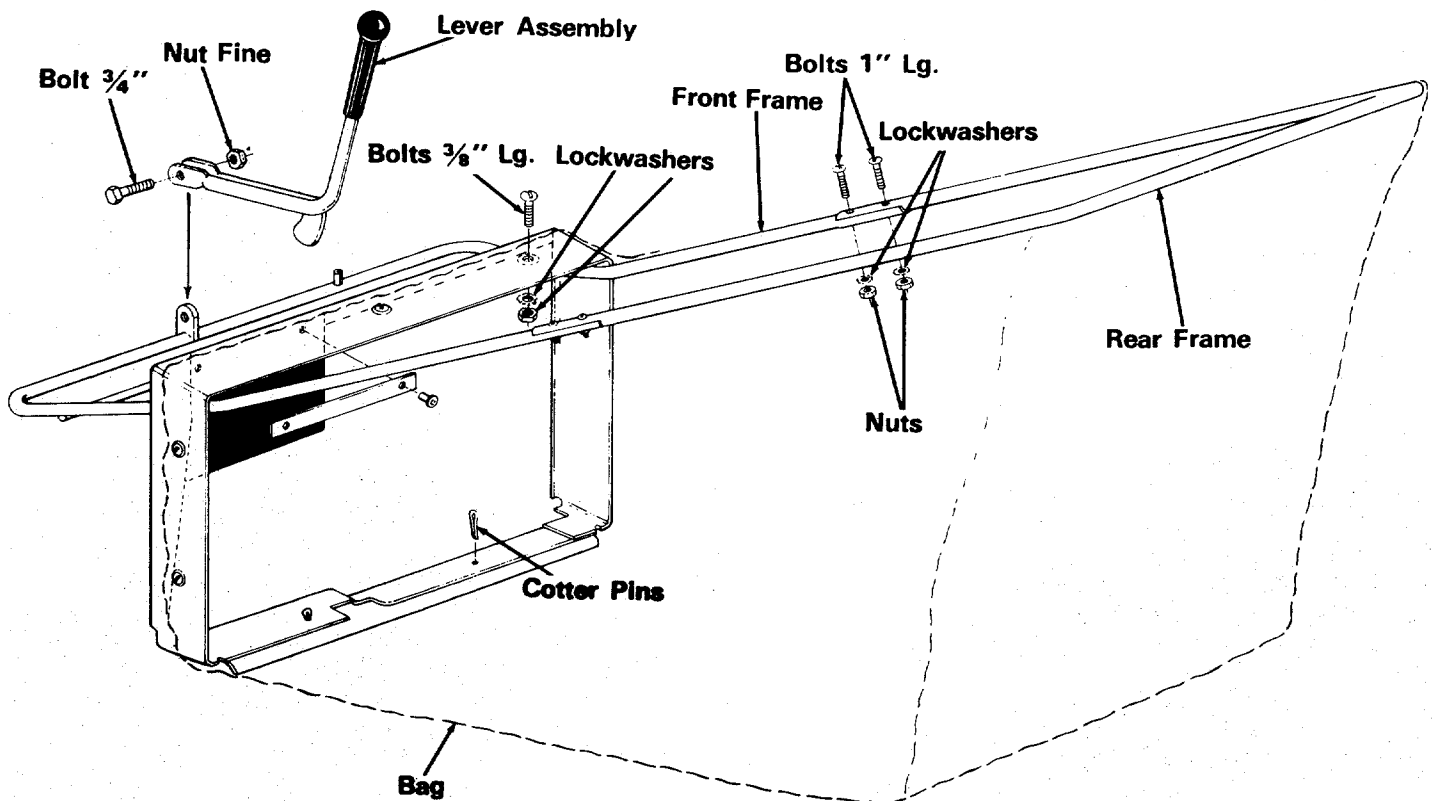
7. Check ALL nuts and bolts for correct tightness.

Assembly - Grass Catcher

The grass catcher is partially assembled. The hardware needed is in the assembly pack. It consists of

- 7 bolts $\frac{3}{8}$ " long
- 4 bolts 1" long
- 11 lockwashers
- 11 nuts
- 2 cotterpins
- 2 sheet metal screws
- 1 bolt $\frac{3}{4}$ " long
- 1 locknut $\frac{5}{16}$ " fine
- 1 lever assembly

- 1 Assemble the rear frame to the front frame with the four 1" bolts, lockwashers and nuts.
- 2 Slip the bag over the frame from the rear.
- 3 Fasten the bag to the frame with the 7 bolts $\frac{3}{8}$ " long, lockwashers and nuts. Start with the three holes on top of the bag, then do both sides.
- 4 Fit the lower edge of the bag into the slot in the bottom of the front frame and place the two cotter pins through the front frame and the eyelets in the bag.
- 5 Bend the ends of the cotter pins over.
- 6 Use the two sheet metal screws to attach the handle to the rear frame. (Note: Handle is assembled on the outside of bag.)
- 7 Assemble the lever assembly to the front frame with a $\frac{3}{4}$ " bolt and $\frac{5}{16}$ " fine thread nut.
- 8 Place the sleeve over the shoulder screw and assemble it to the lever assembly from the right side and secure it with the $\frac{5}{16}$ " course thread nut.



ASSEMBLE GRASS CATCHER TO MOWER

1. Slide grass catcher into position on mower, making sure the roll pin on grass catcher frame goes into slot provided. See figure 1.

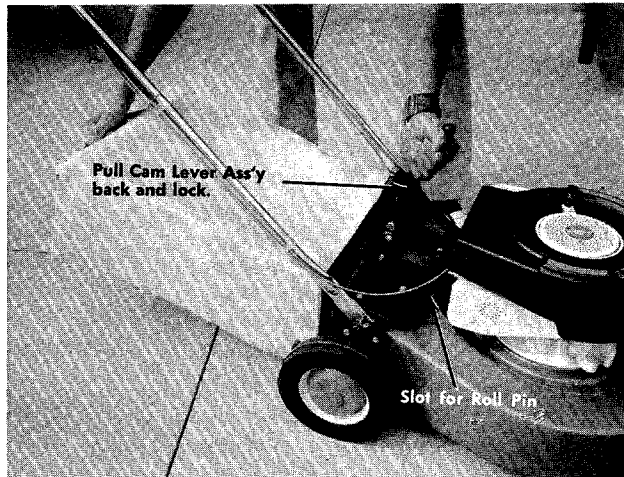
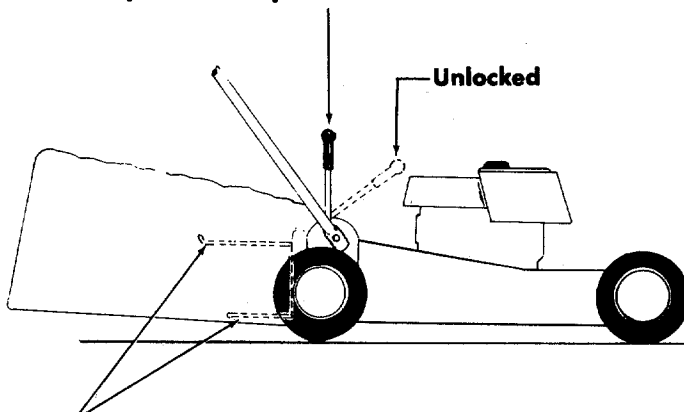


FIGURE 1. ASSEMBLY OF GRASS CATCHER TO MOWER

2. Pull the cam lever assembly back towards the rear of the mower and lock. See figure 1.

Grass Catcher is locked on mower when Cam Lever Ass'y. is in this position.



Discharge Chute Doors are open when Grass Catcher is in position and the Cam Lever is in locked position as shown above.

FIGURE 2. DETAIL OF CHUTE DOORS



WARNING

Unless the entire grass catcher is correctly positioned on the mower, do not open the discharge chute doors when the engine is running.



NOTE

Periodically check the cam lever on grass catcher for correct alignment on roller. The cam lever must hit on center of roller to lock the grass catcher in position and open the doors all the way open.

OPERATION



NOTE

For shipping purposes your mower is set with the wheels in a low cutting height position. For best results raise the cutting position until it is determined which height is best for your lawn. See adjustments.

1. Service engine with gas and oil. See engine manual packed with lawn mower for complete instructions for the care and maintenance of engine. READ DIRECTIONS CAREFULLY.
2. When ready to start engine, place throttle control lever in "START" position and start engine in accordance with instructions in engine manual. After engine starts, move throttle control lever to desired engine speed. The engine is stopped by placing control lever in the "STOP" position.
3. Be sure that lawn is clear of stones, sticks, wire or other objects which could damage lawn mower or engine. For best results and to insure more even grass distribution, do not mow when lawn is excessively wet.

ADJUSTMENTS



CAUTION

Do not at any time make any adjustment to lawn mower without first stopping engine and disconnecting spark plug wire.

CUTTING HEIGHT

An adjusting plate and thumb lever at each wheel position provides cutting height adjustment. Each adjusting plate has five holes. Height of cut will be changed when the thumb lever is moved from one hole to another. Simply depress thumb lever towards wheel and move wheel and lever assembly to desired position. Cutting height will be raised as lever is moved toward front and lowered as lever is moved toward rear. All wheels must be positioned in relative height of cut positions.

REMOTE THROTTLE

If adjustment becomes necessary, the throttle control wire assembly can be reset as follows:

1. Loosen, but do not remove, screw securing throttle control wire assembly at engine.
2. Move throttle control lever on handle to "FAST" position.
3. Move lever, to which control wire is fastened at engine, to full open position and retighten screw to secure throttle control wire assembly.

LUBRICATION



IMPORTANT

Always stop engine and disconnect spark plug wire before cleaning, lubricating or doing any kind of work on lawn mower.

Wheels—Unit is provided with ball bearing wheels, lubricate at least once a season with light oil.

Throttle—Periodically lubricate throttle control lever and throttle wire assembly with a few drops of light oil (SAE No. 10 or 20) for ease of operation.

Engine—Follow engine manual for lubrication instructions.

Discharge Chute Door Mechanism—The torsion spring and pivot point should be lubricated periodically with light oil to prevent any rust or binding. Doors must work freely.



NOTE: FILL AND DRAIN OIL FROM OIL FILL PLUG.

Always disconnect spark plug cable during repairs, refueling or changing oil. Engine oil may be drained through oil filler opening by tilting the mower on its side. Change oil after first 5 hours of operation while engine is warm. Thereafter, change oil every 25 hours of operation while engine is warm.

MAINTENANCE

Cutting Blade—The blade may easily be removed for grinding or replacement as follows:

1. Remove bolt and lockwasher holding blade and blade adapter to engine crankshaft.
2. Remove blade and blade adapter from engine crankshaft.
3. Remove two bolts, lockwashers and nuts holding blade to blade adapter (if necessary).

When sharpening blade, follow the original angle of grind as a guide. It is extremely important that each cutting edge receives an equal amount of grinding to prevent an unbalanced blade. An unbalanced blade will cause excessive vibration when rotating at high speeds and may cause personal injury or damage to the mower. Upon reassembly, make certain all parts are assembled properly and tightened securely.



NOTE

To insure safe operation of your unit, ALL nuts and bolts must be checked periodically for correct tightness.

Deck—The underside of the mower deck should be cleaned after each period of use as grass clippings, leaves, dirt and other matter will accumulate. This accumulation of grass clippings, etc., is undesirable as it will invite rust and corrosion and may cause an uneven discharge of grass clippings at the next cutting.

The deck may be cleaned by tilting the mower forward or on its side and scraping clean with a suitable tool or by washing with a stream of water from a garden hose.



CAUTION

Do not direct the stream of water at a hot engine, as damage to the engine may result.

Storage—The following steps should be taken to prepare lawn mower for storage:

1. Clean and lubricate mower thoroughly as described in the preceding instructions.
2. Refer to engine manual for correct engine storage instructions.
3. Coat mower's cutting blade with chassis grease to prevent rusting.
4. Place blocks under deck to raise tires clear of floor.
5. Store mower in a dry, clean area.

USING YOUR ROTARY MOWER

For best results, do not cut wet grass because it tends to stick to underside of the mower thus preventing proper discharge of grass clippings. If wet grass must be cut, reduce walking speed.

New grass should be treated as wet grass, otherwise a normal walking speed is about the right pace for efficient mowing.

Lawn should be cut in the fall as long as there is growth.

HANDLE STORAGE

This model is so equipped to provide easy fold away handle storage.

1. Loosen the two plastic knobs on each side, center of handle.
2. Pull outward on the bottom of each side of the lower handle and push forward.
3. Fold the upper handle back and down.

To Take the Handle out of Storage Position.

1. Lift the upper handle up and towards the rear.
2. Pull the handle back until it **Locks** into the operator's position.
3. Tighten the two plastic knobs securely.



NOTE

The manufacturer **DOES NOT** recommend the use of any accessory on this rotary mower other than those manufactured by MTD Products Inc.



WARNING

Do not operate the mower with the chute doors open unless the complete grass catcher is properly mounted on the mower.



NOTE:

Under normal usage bag material is subject to wear and should be checked periodically. Be sure any replacement bag complies with the mower manufacturer's recommendations.

For replacement bags, use only factory authorized replacement bag No. 764-0130

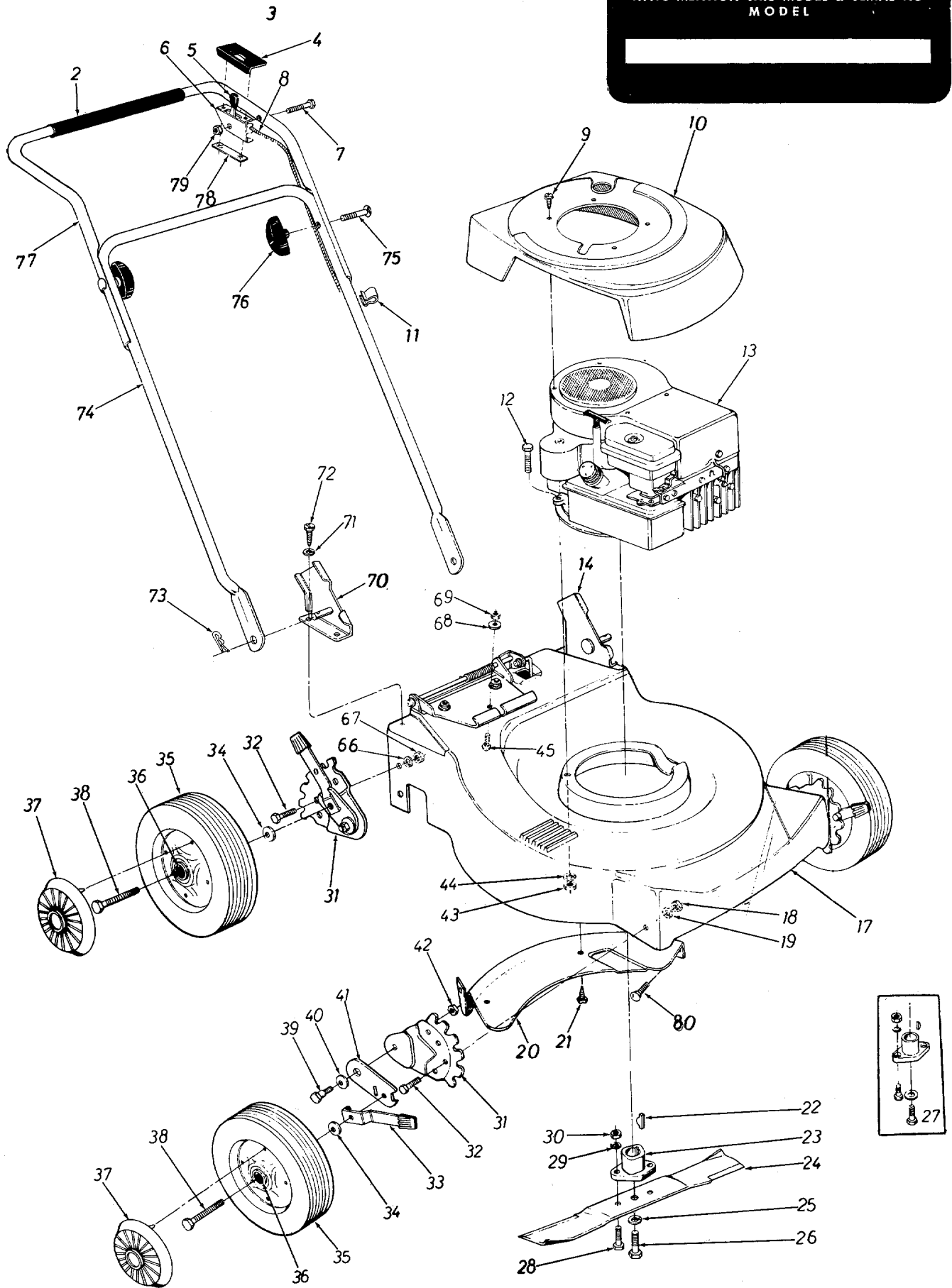


IMPORTANT

After striking a foreign object, stop the engine (motor), remove wire from spark plug. Thoroughly inspect the mower for any damage, and repair the damage before restarting and operating the mower.

116-340A

IF YOU WRITE TO US ABOUT THIS ARTICLE
OR IF YOU ORDER REPLACEMENT PARTS AL-
WAYS MENTION THIS MODEL & SERIAL NO
MODEL



PARTS LIST FOR MODEL 116-340A

Ref. No.	Part No.	COLOR CODE	Description	New Part	Ref. No.	Part No.	Color Code	Description	New Part
2	718-0143		Grip	N	32	710-0216		Hex Scr. 3/8-16 x .75" Lg.*	
3	746-0256		Throttle Cont. Ass'y. Comp.		33	10530		Spring Lever Ass'y. with Knob	
4	731-0344		Plastic Lable		34	736-0105		Belleville Wash. .400 I.D. x .88 O.D.	
5	731-0189		Control Knob		35	734-0643		Wheel Ass'y. Comp.	
6	746-0179		Throttle Control Ass'y.		36	741-0178		Ball Bearing (2 Req'd.)	
7	710-0606		Hex Scr. 1/4-20 x 1.50" Lg.*		37	731-0124		Hub Cap	
8	746-0255		Conduit and Wire		38	710-0427		Hex Scr. 3/8-16 x 2.00" Lg.*	
9	710-0227		Slot Hex Hd. Self Extr. Scr. #8 x .38" Lg.*		39	738-0269		Shoulder Scr.	
10	731-0303		Engine Shroud		40	736-0255		Belleville Wash. .500 I.D. x 1.14 O.D.	
11	746-0128		Cable Clip		41	10619		Pivot Bar	
12	710-0442		Hex Scr. 5/16-18 x 1.50" Lg.*		42	712-0375		Hex Cent. L-Nut 3/8-16 Thd.	
13	—		Engine		43	712-0267		Hex Nut 5/16-18 Thd.*	
14	12575		Handle Mount Brkt. Ass'y.—L.H.		44	736-0119		L-Wash. 5/16" Scr.*	
17	12610 —462		22" Deck Ass'y.		45	710-0134		Car. Bolt 1/4-20 x .62" Lg.	
18	712-0798		Hex Nut 3/8-16 Thd.*	66	736-0169		L-Wash. 3/8" Scr.*		
19	736-0169		L-Wash. 3/8" Scr.*	67	712-0798		Hex Nut 3/8-16 Thd.		
20	12607 —462		Cover Plate	68	736-0329		L-Wash. 1/4" Scr.		
21	710-0618		Fl.-Hd. Phil. Scr. 1/4-20 x .62" Lg.	69	712-0287		Hex Nut 1/4-20 Thd.		
22	714-0365		#6 Hi-Pro-Key 5/32 x 5/8" Dia.	70	12576		Handle Mount Brkt. Ass'y.—R.H.		
23	10769		Blade Adapter Kit	71	736-0329		L-Wash. 1/4" Scr.*		
24	742-0125		22" Blade	72	710-0588		Hex Hd. Self Tapp Scr. 1/4-20 1.00" Lg.		
25	736-0217		L-Wash. 3/8" Scr.—H.D.	73	714-0104		Intern. Cotter Pin 5/16" Dia.		
26	710-0459		Hex Scr. 3/8-24 x 1.50" Lg. H.T.	74	749-0179		Lower Handle		
27	10769		Blade Adapter Kit	75	710-0405		Curved Car. Bolt 5/16-18 x 1.75" Lg.		
28	710-0117		Hex Scr. 5/16-24 x 1.00" Lg. H.T.	76	09966		Hand Knob		
29	736-0119		L-Wash. 5/16" Scr.*	77	749-0180		Upper Handle		
30	712-0123		Hex Nut 5/16-24 Thd.*	78	726-0134		Speed Nut—Twin Type		
31	12321		Ht. Adj. Ass'y. Comp.—L.H.	79	712-0107		Hex Cent. L-Nut 1/4-20 Thd.		
	12322		Ht. Adj. Ass'y. Comp.—R.H.	80	710-0258		Hex Scr. 1/4-20 x .62" Lg.*		
	12323		Index Plate						

*For faster service obtain standard nuts, bolts and washers locally. If these items cannot be obtained locally, order by part number and size as shown on parts list.

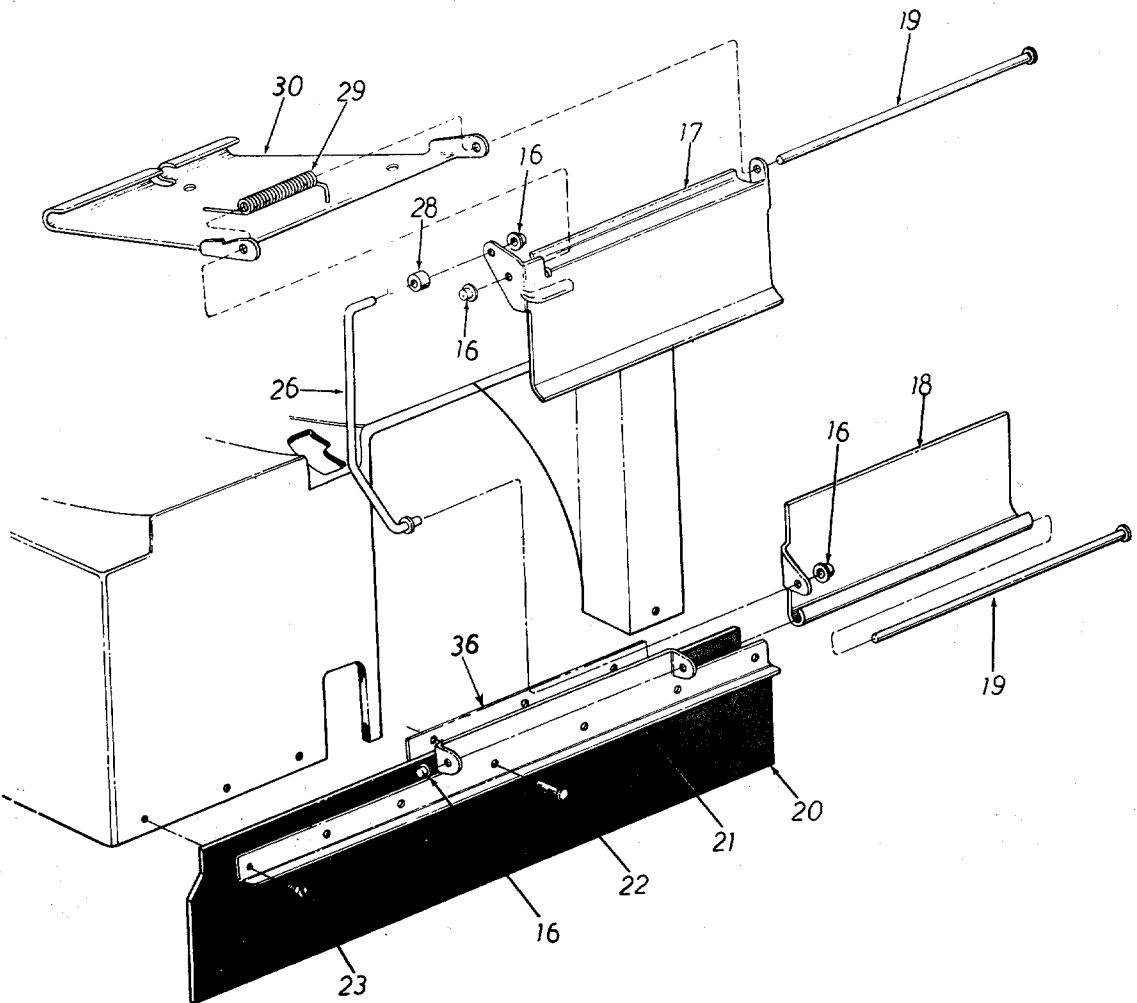
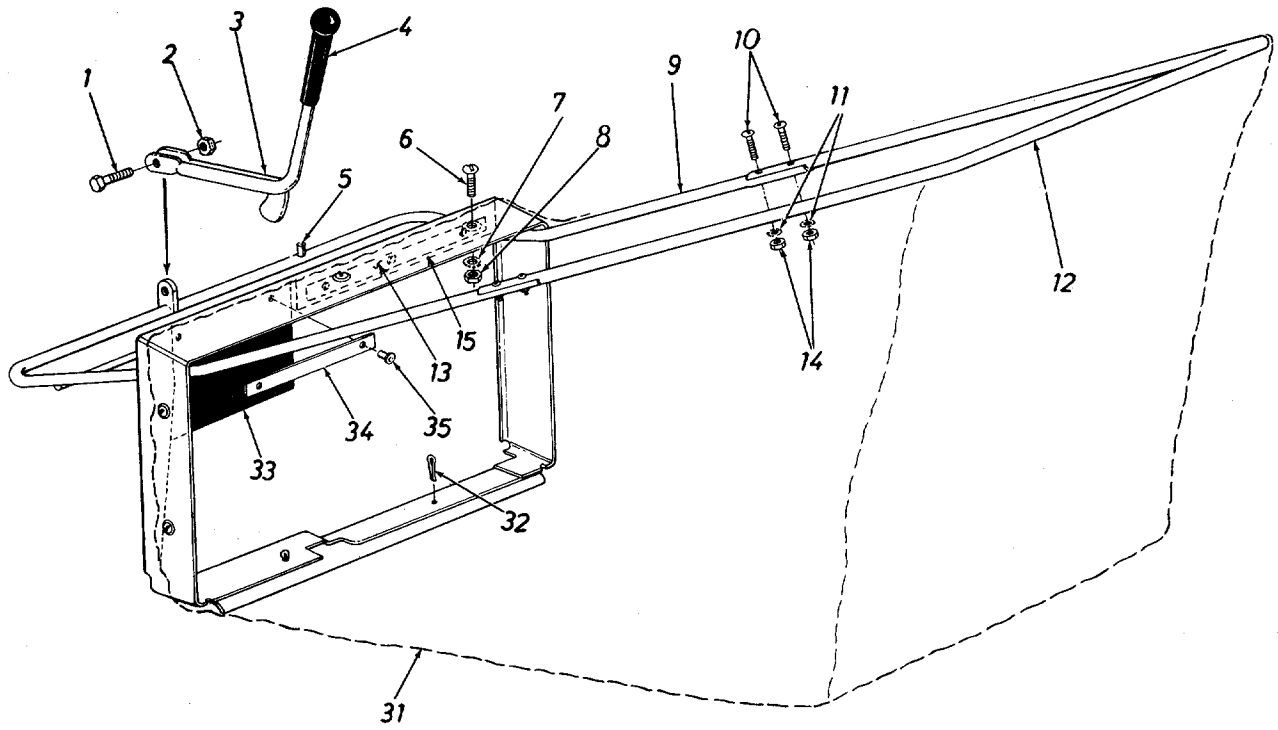
(462—Red Flake)

When ordering parts, if color or finish is important, use the appropriate color code shown at left. (e.g. Red Flake Finish 12610 (462))

The engine is not under warranty by the mower manufacturer. If repairs or service is needed on the engine, please contact your nearest authorized engine service outlet. Check the "Yellow Pages" of your telephone book under "Engines — Gasoline."



116-340A



PARTS LIST FOR MODEL 116-340A

Ref. No.	Part No.	Color Code	Description	New Part	Ref. No.	Part No.	Color Code	Description	New Part
1	710-0117		Hex Scr. 5/16-24 x 1.00 Lg.*		17	12395		Chute Door—Upper Half	
2	712-0237		Hex Cent. L-Nut 5/16-24 Thd.		18	12194		Chute Door—Lower Half	
3	12393		Cam Lever Ass'y.		19	738-0253		Hinge Rod	
4	720-0143		Grip		20	735-0169		Rear Protective Flap	
5	715-0247		Spring Pin Spiral		21	12305		Rear Safety Shield Plate	
6	710-0192		Truss Mach. Scr. #10-24 x .38" Lg.		22	728-0128		Rivet	
7	736-0147		Ext. L-Wash. #10 Scr.*		23	710-0436		Hex B-Tapp Scr. #10Z x .62" Lg.*	
8	712-0121		Hex Nut #10-24 Thd.*		26	747-0141		Connecting Rod	
9	12579		Catcher Frame Ass'y. Lower Half		28	748-0246		Roller Spacer	N
10	710-0467		Rd. Hd. Mach. Scr. #10-24 x 1.00" Lg.*		29	732-0295		Torsion Spring	
11	736-0147		Ext. L-Wash. #10 Scr.*		30	12192		Grass Catcher Adapter Bag	
12	749-0178		Frame—Rear Half		31	764-0130		Cotter Pin 1/8" Dia. x 1.00" Lg.*	
13	12316		Reinforcement Bar		32	714-0115		Grass Catcher Flap	
14	713-0121		Hex Nut #10-24 Thd.*		33	735-0184		Reinforcement Bar	
15	735-0183		Grass Catcher Flap		34	12185		Rivet	
16	726-0135		Push Nut 5/16" Rod		35	728-0128		Reinforcement Bar	
					36	12316			

*For faster service obtain standard nuts, bolts and washers locally. If these items cannot be obtained locally, order by part number and size as shown on parts list.

(462—Red Flake)

When ordering parts, if color or finish is important, use the appropriate color code shown at left (e.g. LRed Flake Finish 12610 (462))

The engine is not under warranty by the mower manufacturer. If repairs or service is needed on the engine, please contact your nearest authorized engine service outlet. Check the "Yellow Pages" of your telephone book under "Engines — Gasoline."



PARTS INFORMATION

POWER EQUIPMENT PARTS AND SERVICE

Parts and service for all MTD manufactured power equipment are available through the authorized service firms listed below. All orders should specify the model number of your unit, parts numbers, description of parts and the quantity of each part required.

ALABAMA	BIRMINGHAM	
	Auto Electric & Carburetor Co...	2625 4th Ave. S. 35233
ARKANSAS	NORTH LITTLE ROCK	
	Sutton's Lawn Mower Shop	Rt. 4, Box 368 72117
	FORT SMITH	
	Mity Mite Motors, Inc.	2515 Towson Ave. 72901
CALIFORNIA	SAN BERNARDINO	
	Lawn Mower Supply Co.	25608 E. Baseline 92410
	SAN FRANCISCO	
	J.W. Jewett Co.	981 Folsom St. 94107
	SACRAMENTO	
	Luttig & Severson	2030 28th St. 95818
COLORADO	DENVER	
	South Denver Lawn Equip.	527 West Evans 80223
CONNECTICUT	SUFFIELD	
	The Jones & Ramsey Co.	850 Thompsonville Rd. 06078
FLORIDA	JACKSONVILLE	
	Radco Distributors	2403 Market St. 32206
	CORAL GABLES	
	Moz-All of Florida, Inc.	365 Greco Ave. 33146
GEORGIA	EAST POINT	
	East Point Cycle & Key	2834 Church St. 30344
ILLINOIS	LYONS	
	Keen Edge Co.	8615 Ogden Ave. 60534
INDIANA	ELKHART	
	Parts & Sales Inc.	2101 Industrial Pkwy. ...46514
	CORYDON	
	Brown Equip. Dist., Inc.	110 Beech St. 47112
IOWA	DUBUQUE	
	Power Lawn & Garden Equip. .	2551 J.F. Kennedy 52001
KANSAS	WICHITA	
	Hixon, Inc.	3030 Mascot 67204
LOUISIANA	NEW ORLEANS	
	Suhren Engine Co.	8330 Earhart Blvd. 70118
MARYLAND	TAKOMA PARK	
	Center Supply Co.	6867 New Hampshire Ave. 20012
MASSACHUSETTS	SPRINGFIELD	
	Morton B. Collins Co.	300 Birnie Ave. 01107
MICHIGAN	MOUNT CLEMENS	
	Power Equipment Dist.	36463 South Gratiot... 48043
	LANSING	
	Lorenz Service Co.	2500 S. Pennsylvania.. 48900
MINNESOTA	MINNETONKA	
	Hance Distributing Inc.	11212 Wayzata Blvd. ...55343
MISSISSIPPI	BILOXI	
	Biloxi Sales & Service, Inc.	506 Caillavet St. 39533
MISSOURI	KANSAS CITY	
	Automotive Equip. Service	3117 Holmes St. 64109
	ST. LOUIS	
	Henzler, Inc.	2015 Lemay Ferry Rd. 63125
NEBRASKA	OMAHA	
	R.P.W., Inc.	7402 "L" St. 68127

BRIGGS & STRATTON, TECUMSEH AND PEERLESS PARTS AND SERVICE

Briggs & Stratton, Tecumseh and Peerless parts and service should be handled by your nearest authorized engine service firm. Check the yellow pages of your telephone directory under the listing *Engines Gasoline*, Briggs & Stratton or Tecumseh Lauson

NEW YORK	CARTHAGE	
	Gamble Dist., Inc.	West End Ave. 13619
	SYRACUSE	
	Kimber's, Inc.	115 N. Geddes St. 13204
	ROCHESTER	
	Henry W. O'Neil & Associates ...	410 N. Goodman St. ... 14609
NORTH CAROLINA	GREENSBORO	
	Dixie Sales Company	327 Battleground Ave.. 27402
	GOLDSBORO	
	Smith Hardware Co.	515 N. George St. 27530
OHIO	WADSWORTH	
	National Central	687 Seville Rd. 44281
	CLEVELAND	
	Bleckrie, Inc.	7900 Lorain Ave. 44102
	CARROL	
	Stebe's Mid-State Mower Supply Box 366	43112
	WILLARD	
	Sunshine Wholesale Tire Outlet Route 224	44890
	MANSFIELD	
	McClure Lawn & Garden Supply...1114 Lexington Ave. .	44903
OKLAHOMA	MUSKOGEE	
	Victory Motors, Inc.	605 S. Cherokee 74401
	ADA	
	Ada Auto Supply	301 E. 12th St. 74820
OREGON	PORTLAND	
	Kenton Supply Co.	8216 N. Denver Ave. . 97217
PENNSYLVANIA	LANCASTER	
	Raub Supply Co.	James & Mulberry Sts...17604
	PITTSBURGH	
	Bluemont Co.	11125 Frankstown Rd.. 15235
TENNESSEE	KNOXVILLE	
	Master Repair Service	2423 Broadway, N.E. ...37917
	MEMPHIS	
	Memphis Cycle & Supply Co.	421 Monroe Ave. 38103
	American Sales & Service, Inc. .	1922 Lynnbrook 38117
TEXAS	DALLAS	
	Marr Brothers, Inc.	423 E. Jefferson 75203
	HOUSTON	
	Bullard Supply Co.	2409 Commerce St. 77003
	SAN ANTONIO	
	Catto & Putty, Inc.	P.O. Box 2408 78206
	FORT WORTH	
	Woodson Sales Corp.	1702 N. Sylvania 76111
UTAH	SALT LAKE CITY	
	A-1 Engine & Mower Co.	437 E. 9th St. 84111
VERMONT	BURLINGTON	
	Vermont Appliance Co.	44 Lakeside Ave. 05401
VIRGINIA	RICHMOND	
	RBI Corp.	963 Myers St. 23260
WASHINGTON	SEATTLE	
	Bailey's Rebuild, Inc.	1325 E. Madison St. ... 98102
WEST VIRGINIA	CHARLESTON	
	Young's, Inc.	233 Virginia St., E. ... 25301
WISCONSIN	APPLETON	
	Automotive Supply Co.	123 S. Linwood Ave. ...54911

WARRANTY PARTS AND SERVICE POLICY

The purpose of warranty is to protect the customer from defects in workmanship and materials, defects which are NOT detected at the time of manufacture. It does not provide for the unlimited and unrestricted replacement of parts. Use and maintenance are the responsibility of the customer. The manufacturer cannot assume responsibility for conditions over which it has no control. Simply put, if it's the manufacturer's fault, it's the manufacturer's responsibility; if it's the customer's fault, it's the customer's responsibility.

CLAIMS AGAINST THE MANUFACTURER'S WARRANTY INCLUDES

1. Replacement of Missing Parts on new equipment.
2. Replacement of Defective Parts within the warranty period.
3. Repair of Defects within the warranty period.

All claims MUST be substantiated with the following information:

1. Model Number of unit involved.
2. Date unit was purchased or first put into service.
3. Date of failure.
4. Nature of failure.