

# Owner's Operating Service Instruction Manual

10¢

Model Nos.  
116-240A  
116-250A

- ASSEMBLY
- OPERATION
- REPAIR PARTS

**20" & 22" ROTARY MOWERS**

# IMPORTANT

It is suggested that this manual be read in its entirety before attempting to assemble or operate. Keep this manual in a safe place for future reference and for ordering replacement parts.

This unit is shipped WITHOUT GASOLINE or OIL. After assembly, see operating section of this manual for proper fuel and amount.

## SAFE OPERATION PRACTICES FOR WALK-BEHIND MOWERS

### TRAINING

1. Read the Operating and Service Instruction Manual carefully. Be thoroughly familiar with the controls and the proper use of the equipment.
2. Never allow children to operate a power mower.
3. Keep the area of operation clear of all persons, particularly small children and pets.

### PREPARATION

1. Thoroughly inspect the area where the equipment is to be used and remove all stones, sticks, wire, bones and other foreign objects.
2. Do not operate equipment when barefoot or wearing open sandals. Always wear substantial footwear.
3. Check the fuel before starting the engine. Do not fill the gasoline tank indoors, when the engine is running, or while the engine is still hot. Wipe off any spilled gasoline before starting the engine.
4. Disengage the self-propelled mechanism or drive clutch on units so equipped before starting the engine.
5. Never attempt to make a wheel adjustment while the engine is running.
6. Mow only in daylight or in good artificial light.
7. Never operate the equipment in wet grass. Always be sure of your footing; keep a firm hold on the handle and walk, never run.

### OPERATION

1. Do not change the engine governor settings or overspeed the engine.
2. Do not put hands or feet near or under rotating parts. Keep clear of the discharge opening at all times.
3. Stop the blade(s) when crossing gravel drive, walks or roads.
4. After striking a foreign object, stop the engine, remove the wire from the spark plug, thoroughly inspect the mower for any damage, and repair the damage before restarting and operating the mower.

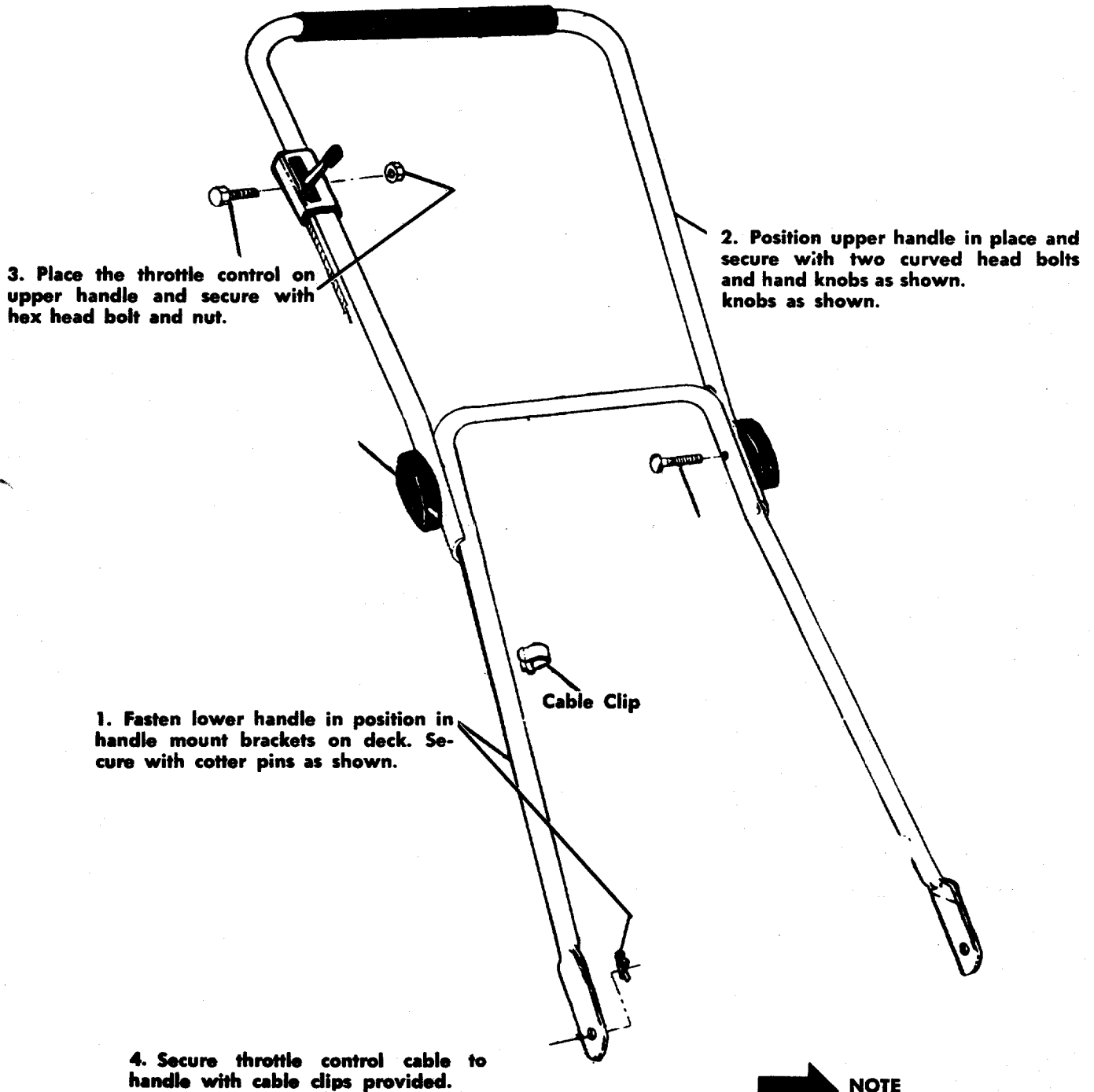
5. If the equipment should start to vibrate abnormally, stop the engine and check immediately for the cause. Vibration is generally a warning of trouble.
6. Stop the engine whenever you leave the equipment, before cleaning the mower housing, and when making any repairs or inspections.
7. When cleaning, repairing or inspecting, make certain the blade and all moving parts have stopped. Disconnect the spark plug wire, and keep the wire away from the plug to prevent accidental starting.
8. Do not run the engine indoors.
9. Shut the engine off and wait until the blade comes to a complete stop before removing the grass catcher or unclogging chute.
10. Mow across the face of slopes, never up-and-down. Exercise extreme caution when changing direction on slopes. Do not mow excessively steep slopes.
11. Always disconnect electric mowers (line operated) before cleaning, repairing or adjusting.
12. Never operate mower without proper guards, plates or other safety protective devices in place.
13. Keep washout ports and other mower-housing service openings closed when mowing.

### MAINTENANCE AND STORAGE

1. Check the blade and engine mounting bolts at frequent intervals for proper tightness.
2. Keep all nuts, bolts, and screws tight to be sure the equipment is in safe working condition.
3. Never store the equipment with gasoline in the tank inside of a building where fumes may reach an open flame or spark. Allow the engine to cool before storing in any enclosure.
4. To reduce fire hazard, keep the engine free of grass, leaves, or excessive grease.
5. Check the grass catcher bag frequently for wear or deterioration. Replace with new bag for safety protection.

**HANDLE ASSEMBLY**  
**MODELS 116-240A AND 116-250A**

**NOTE:** Follow instructions starting with Number 1 and continue through Number 5.



# ASSEMBLY INSTRUCTIONS FOR OPTIONAL HANDLE

10. Slip hand grips on the upper end of each handle. They will slip on more easily if you first soak them in warm soapy water.

7. Secure top of handle panel to throttle clamp.

3. Secure throttle control to handle panel as shown.

5. Place speed nut on throttle clamp.

4. Assemble throttle clamp to upper handle.

6. Assemble bottom of handle panel to handle.

**NOTE**

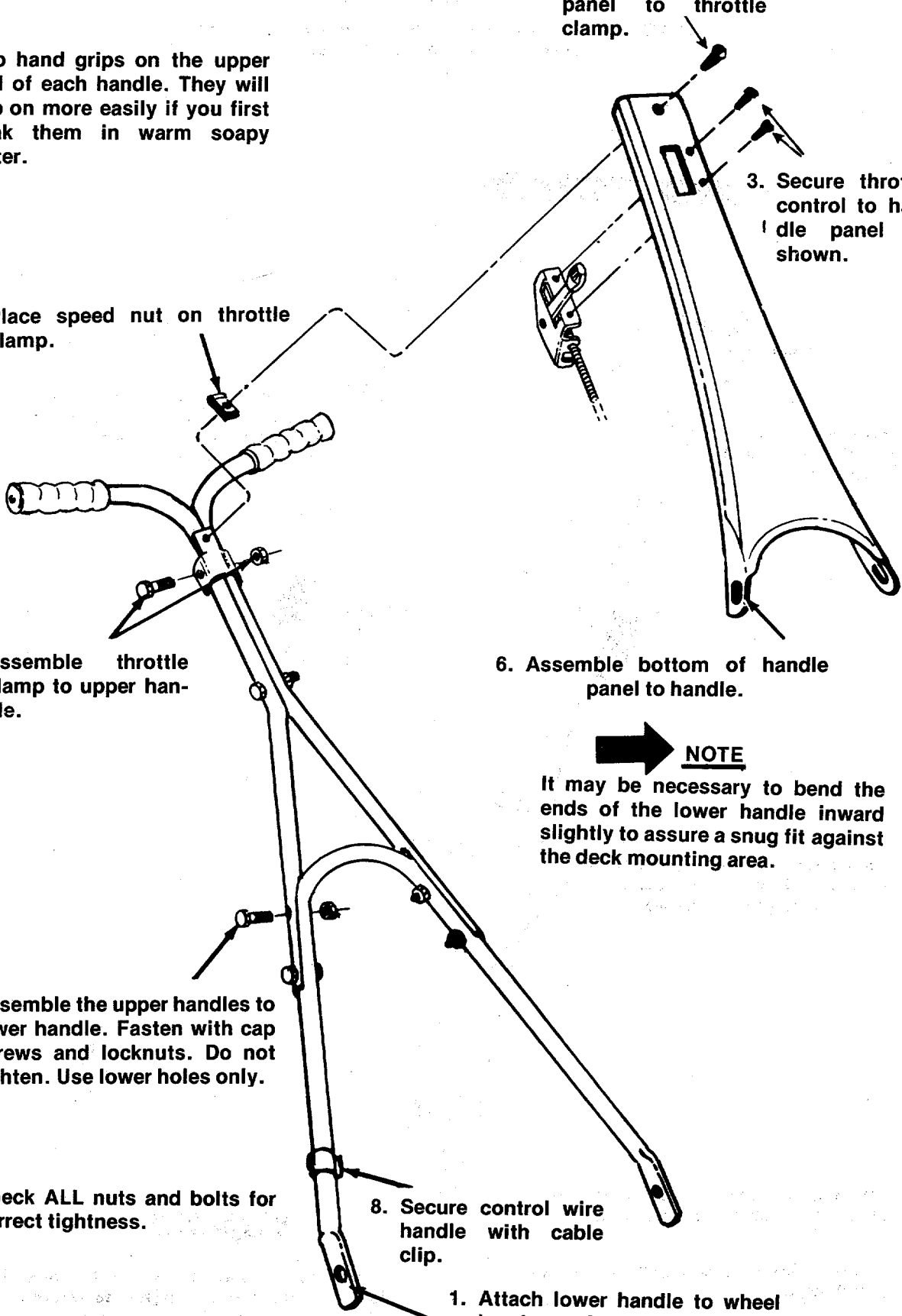
It may be necessary to bend the ends of the lower handle inward slightly to assure a snug fit against the deck mounting area.

2. Assemble the upper handles to lower handle. Fasten with cap screws and locknuts. Do not tighten. Use lower holes only.

9. Check ALL nuts and bolts for correct tightness.

8. Secure control wire handle with cable clip.

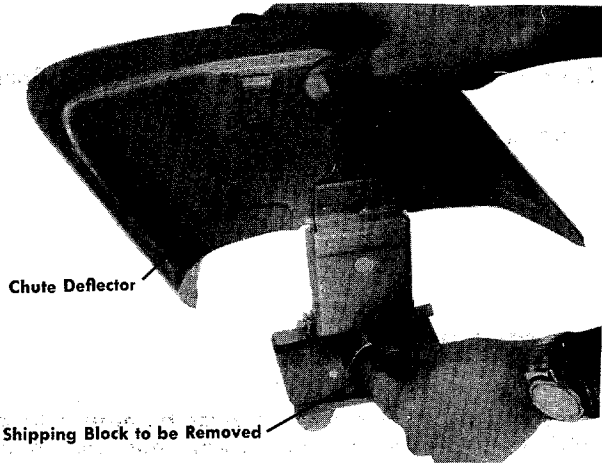
1. Attach lower handle to wheel brackets. Secure with cotter pin.





## **CAUTION**

Please note that the chute deflector on your mower is in an upright position. It is held in that position by a shipping block. This shipping block is used for shipping purposes only. It must be removed and discarded before your mower is put into operation.



## **OPERATION**



### **NOTE**

For shipping purposes your mower is set with the wheels in a low cutting height position. For best results raise the cutting position until it is determined which height is best for your lawn. See adjustments.

1. Service engine with gas and oil. See Engine Instructions for the care and maintenance of engine. **READ DIRECTIONS CAREFULLY.**
2. When ready to start engine, place throttle control lever on handle in START position and start engine in accordance with Engine Instructions. After engine starts, move throttle control on handle to desired engine speed. The engine is stopped by placing control lever on handle in the STOP position.
3. Be sure that lawn is clear of stones, sticks, wire or other objects which could damage lawn mower or engine. For best results and to insure more even grass distribution; do not mow when lawn is excessively wet.

## **CUTTING**

For best lawn results in most areas, grass should not be cut below 2 inches, as cutting the grass blades short tends to retard its growth.

It is important that when sharpening the cutting edges of the blade you grind equal amounts from each cutting surface to preserve the blade balance. An unbalanced blade will vibrate. Never operate mower with a bent or unbalanced blade as it will cause damage to the mower and engine. A sharp blade insures best

cutting results and minimum engine wear. Never install or remove blade with engine spark plug wire attached.

## **ADJUSTMENTS**



## **CAUTION**

Do not at any time make any adjustment to lawn mower without first stopping engine and disconnecting spark plug wire.

**Cutting Height**—An adjusting plate and thumb lever at each wheel position provides cutting height adjustment. Each adjusting plate has five lugs. Height of cut will be changed when the thumb lever is moved from one lug to another. Simply depress thumb lever toward wheel and move wheel and lever assembly to desired position. Cutting height will be raised as lever is moved toward front and lowered as lever is moved toward rear. All wheels must be positioned in relative height of cut positions.



## **IMPORTANT**

After striking a foreign object, stop the engine (motor), remove wire from spark plug, thoroughly inspect the mower for any damage and repair the damage before restarting and operating the mower.

**Throttle**—If adjustment becomes necessary, the throttle control wire assembly can be reset as follows:

1. Loosen, but do not remove, screw securing throttle control wire assembly at engine.
2. Move throttle control lever on handle to FAST position.
3. Move lever to which control wire is fastened at engine to fast position and retighten screw to secure throttle control wire assembly.

## **LUBRICATION**



## **IMPORTANT**

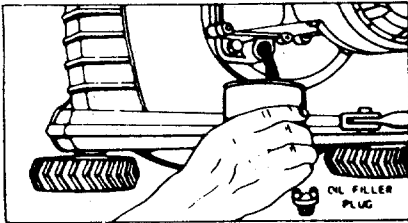
Always stop engine and disconnect spark plug wire before cleaning, lubricating or doing any kind of work on lawn mower.

**Wheels**—Wheel bearings are of self-lubricating Fortiflex. They require no lubrication. If your unit is provided with optional ball bearing wheels, lubricate at least once a season with light oil.

**Throttle**—Periodically lubricate throttle control lever and throttle wire assembly with a few drops of light oil (SAE No. 10 or 20) for ease of operation.

**Engine**—Follow Engine Lubrication Instructions.

Change oil after first 5 hours of operation while engine is warm. Thereafter, change oil every 25 hours of operation while engine is warm. Engine may be drained through oil filler opening. Be sure to replace drain plug and oil filler cap.



**Protective Shield**—The pivot points on the protective shield should be lubricated with light oil to prevent any rust or binding.

**Chute Deflector**—The torsion spring and pivot point should be lubricated periodically with light oil to prevent any rust or binding. Deflector must work freely.

## MAINTENANCE

**Cutting Blade**—The blade may easily be removed for grinding or replacement as follows:

1. Remove bolt and lockwasher holding blade and blade adapter to engine crankshaft.
2. Remove blade and blade adapter from engine crankshaft.
3. Remove two bolts, lockwashers and nuts holding blade to blade adapter (if necessary).

When sharpening blade, follow the original angle of grind as a guide. It is extremely important that each cutting edge receives an equal amount of grinding to prevent an unbalanced blade. An unbalanced blade will cause excessive vibration when rotating at high speeds and may cause damage to the mower.



To insure safe operation of your unit, ALL nuts and bolts must be checked periodically for correct tightness.

**Deck**—The underside of mower deck should be cleaned after each period of use as grass clippings, leaves, dirt and other matter will accumulate. This accumulation of grass clippings, etc. is undesirable as it will invite corrosion and may cause an uneven discharge of grass clippings at the next cutting.

The deck may be cleaned by tilting the mower forward or on its right side and scraped clean with a suitable tool or by washing with a stream of water from a garden hose.



## **CAUTION**

Do not direct the stream of water at a hot engine as damage to the engine may result.

**Storage**—The following steps should be taken to prepare lawn mower for storage.

1. Clean and lubricate mower thoroughly as described in the preceding instructions.
2. Refer to Engine Manual for correct engine storage instructions.
3. Coat mower's cutting blade with chassis grease to prevent rusting.
4. Place blocks under deck to raise tires clear of floor.
5. Store mower in a dry, clean area.

## USING YOUR MOWER

For best results do not cut wet grass because it tends to stick to underside of the mower thus preventing proper discharge of grass clippings. If wet grass must be cut, reduce walking speed to help distribute the clippings more effectively.

New grass should be treated as wet grass, otherwise a normal walking speed is about the right pace for efficient mowing. The best mowing pattern is one that allows the clippings to discharge towards the uncut part of the lawn. This permits recutting of the clippings to further pulverize them. When cutting high weeds, discharge towards cut portion, then recut at right angles to first direction.

Lawn should be cut in the fall as long as there is growth.

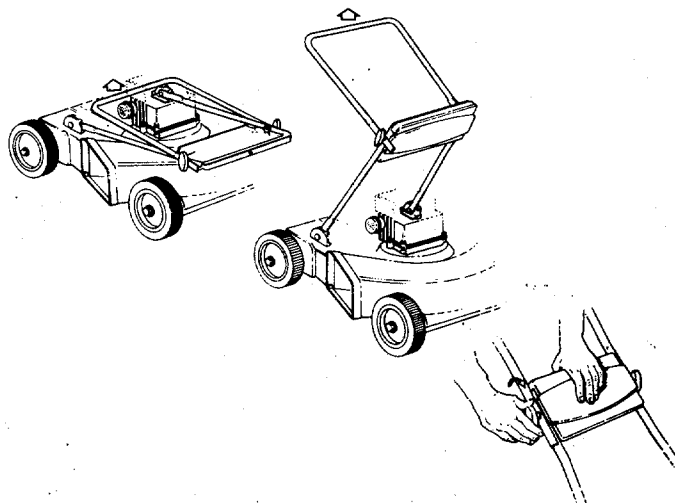
## HANDLE STORAGE

These models are so equipped to provide easy fold away handle storage.

1. Loosen the two plastic knobs on each side, center of handle.
2. Pull inward on the bottom of each side of the lower handle and push forward.
3. Fold the upper handle back and down as shown on page 7.

### To Take the Handle out of Storage Position.

1. Lift the upper handle up and towards the rear as shown.
2. Pull the handle back until it **Locks** into the operator's position.
3. Tighten the two plastic knobs securely.



### OPTIONAL HANDLE STORAGE

The optional handle may be put in a storage position by pressing inward on the lower handle and moving it forward. To put the handle back into the operating position simply pull the handle back. It will lock automatically.



The manufacturer **DOES NOT** recommend the use of any accessory on this rotary mower other than those manufactured by MTD Products Inc.

GRASS CATCHER Model No. 196-003A is available as optional equipment for the mowers shown in this manual.



#### **WARNING**

1. The mower should not be operated without the entire grass catcher or chute deflector in place.
2. The mower should not be operated without the protective shield on the rear of the deck in place.



Under normal usage bag material is subject to wear and should be checked periodically. Be sure any replacement bag complies with the mower manufacturer's recommendations.

For replacement bags, use only factory authorized replacement bag No. 764-0119.

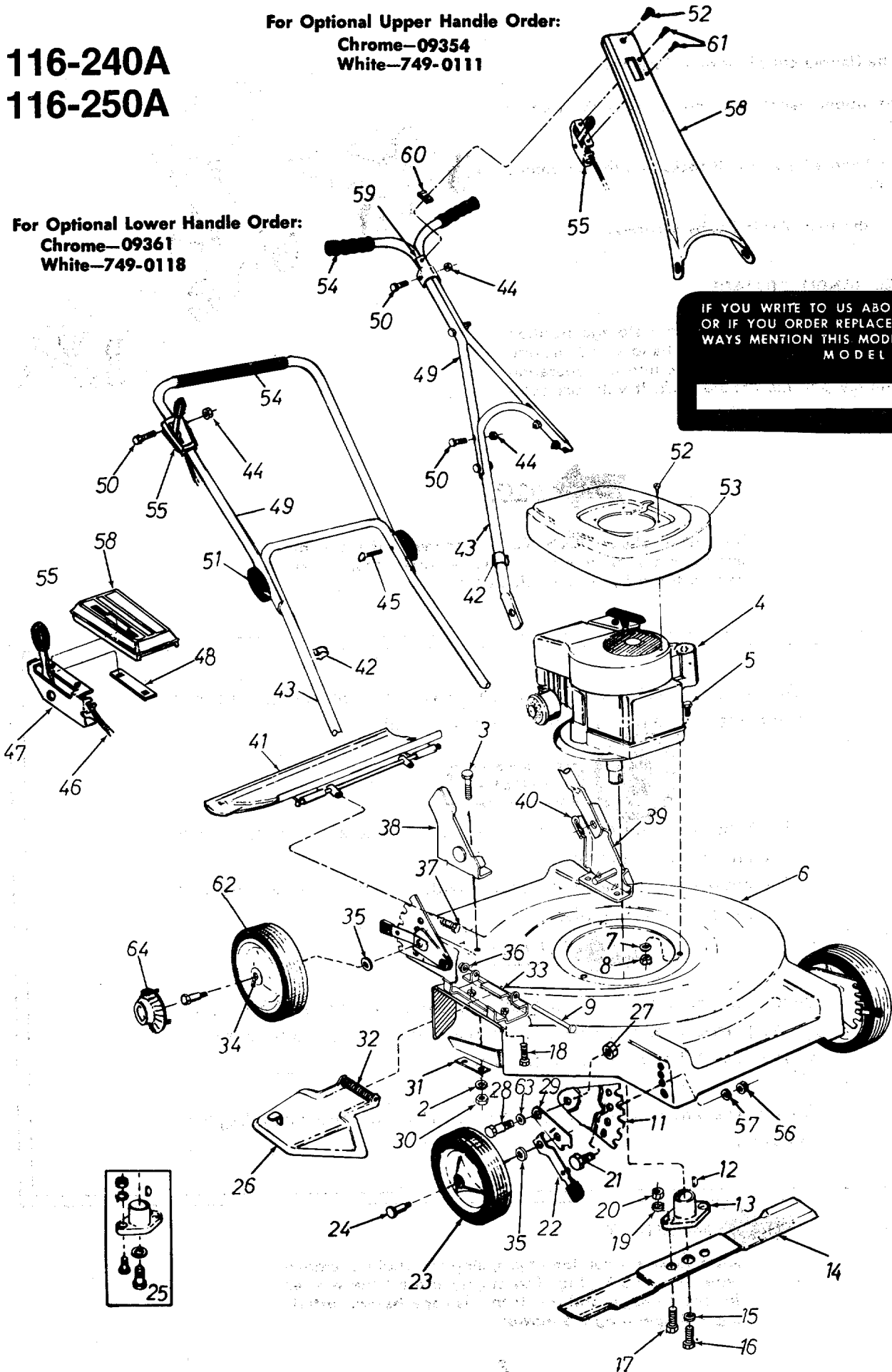


After striking a foreign object, stop the engine, remove wire from spark plug. Thoroughly inspect the mower for any damage, and repair the damage before restarting and operating the mower.

# 116-240A 116-250A

For Optional Upper Handle Order:  
Chrome—09354  
White—749-0111

For Optional Lower Handle Order:  
Chrome—09361  
White—749-0118





**PARTS LIST FOR MODELS 116-240A AND 116-250A**

Ref. No.	Part No.	Color Code	Description	New Part	Ref. No.	Part No.	Color Code	Description	New Part
2	736-0329		L-Wash. 1/4" Scr. *		35	736-0105		Belleville Washer	
3	710-0252		Hex Scr. 1/4-20 x .75" Lg. *		36	726-0106		Push-on Flange—Palnut	
4	—		Engine		37	710-0567		Sems Hex Hd. Cap Scr. 1/4-28 x .62" Lg.	
5	710-0158		Hex Hd. Cap Scr. 5/16-24 x 1 1/4" Lg. *		38	12576		Handle Mtg. Brkt. Ass'y.— R.H.	N
6	11346 —462		Deck Ass'y. Complete (116-240A)		39	12575		Handle Mtg. Brkt. Ass'y.— L.H.	N
	11820 —462		Deck Ass'y. Complete (116-250A)		40	714-0104		Hair Pin Cotter	
7	736-0119		Spring Lockwasher 5/16" Scr. *		41	11196 —462		Protective Shield Ass'y.— Comp. (116-240A)	
8	712-0123		Hex Nut 5/16-24 Thd. *			11197 —462		Protective Shield Ass'y.— Comp. (116-250A)	
9	711-0555		Pivot Pin		42	746-0128		Cable Clip	
11	12322		Height Adj. Ass'y.—R.H.		43	11615		Lower Handle	
	12321		Height Adj. Ass'y.—L.H.			09361		Lower Handle†	
	12323		Index Plate		44	710-0107		Hex Center Locknut 1/4-20 Thd.	
12	714-0365		#6 Hi-Pro Key 5/32 x 5/8" Dia.		45	710-0405		Curved Hd. Bolt 5/16-18 x 1 3/4" Lg.	
13	10769		Blade Adapter Kit		46	746-0174		Conduit and Wire	
14	742-0123		20 inch Blade (116-240A)		47	11598		Throttle Control Ass'y.	
	742-0125		22 inch Blade (116-250A)		48	726-0134		Speed Nut—Twin Type	
15	736-0217		Spring Lockwasher 3/8" Scr. Heavy Duty		49	11204		Upper Handle	
16	710-0459		Hex Hd. Cap Scr. 3/8-24 x 1.50" Lg. Heat Treated			09354		Upper Handle†	
17	710-0117		Hex Hd. Cap Scr. 5/16-24 x 1.00" Lg. Heat Treated		50	710-0136		Hex Hd. Cap Scr. 1/4-20 x 1.75 Lg. *	
18	710-0289		Hex Scr. 1/4-20 x .50" Lg. *		51	09966		Hand Knob	
19	736-0119		Spring Lockwasher 5/16" Scr. *		52	710-0227		Hex Hd. AB-Tapp Scr. #8 x .38" Lg.	
	712-0123		Hex Nut 5/16-24 Thd. *		53	10612 —462		Shroud	
21	710-0209		Hex Sem Scr. 3/8-16 x 5/8" Lg. *		54	718-0143		Grip	
22	10535		Spring Lever Ass'y. with Knob			718-0157		Grip†	
23	09392-502		Front Wheel Ass'y.—Comp. (116-240A)		55	746-0234		Throttle Control Assy. Comp. (116-240A)	
	09392-501		Front Wheel Ass'y.—Comp. (116-250A)			11597		Throttle Control Ass'y. Comp.†	
24	738-0133		Shoulder Scr. .498" Dia. x 1.450		56	712-0798		Hex Nut Lockwasher 3/8-16 Thd. *	
25	10769		Blade Adapter Kit		57	736-0169		Spring Lockwasher 3/8" Scr. *	
26	11679 —462		Chute Deflector Ass'y.— Comp.		58	731-0344		Plastic Label	N
						11604		Handle Panel†	
27	712-0375		Hex Cent. L-Nut 3/8-16 Thd.			11608		Plastic Mini Cover†	
28	738-0269		Shld. Scr.		59	07861		Control Clamp†	
29	10619		Pivot Bar		60	712-0526		Speed Nut†	
30	712-0287		Hex Nut 1/4-20 Thd. *		61	710-0192		Truss Hd. Mach. Scr. No. 10-24 x .38" Lg.†	
31	08405		Reinforcement Plate		62	09392-501		Rear Wheel Ass'y.—Comp.	
32	732-0253		Torsion Spring		63	736-0255		Belleville Wash.	
33	11130 —462		Adapter Plate		64	731-0124		Hub Cap	
34	07006		Fortiflex Bearing			746-0229		Conduit and Wire†	

\*For faster service obtain standard nuts, bolts and washers locally. If these items cannot be obtained locally, order by part number and size as shown on parts list.

(462—Red Flake)

When ordering parts if color or finish is important, use color code shown at left. (e.g. Red Flake Finish, 11346 (462)).

† Optional Handle

NOTE: This instruction manual covers various models and all accessories shown do not necessarily apply to your model mower.

The engine is not under warranty by the mower manufacturer. If repairs or service is needed on the engine, please contact your nearest authorized engine service outlet. Check the "Yellow Pages" of your telephone book under "Engines — Gasoline."



# PARTS INFORMATION

## POWER EQUIPMENT PARTS AND SERVICE

Parts and service for all MTD manufactured power equipment are available through the authorized service firms listed below. All orders should specify the model number of your unit, parts numbers, description of parts and the quantity of each part required.

<b>ALABAMA</b>	<b>BIRMINGHAM</b>	
	Auto Electric & Carburetor Co.	2625 4th Ave. S. .... 35233
<b>ARKANSAS</b>	<b>NORTH LITTLE ROCK</b>	
	Sutton's Lawn Mower Shop	Rt. 4, Box 368 ..... 72117
	<b>FORT SMITH</b>	
	Mity Mite Motors, Inc.	2515 Towson Ave. .... 72901
<b>CALIFORNIA</b>	<b>SAN BERNARDINO</b>	
	Lawn Mower Supply Co.	25608 E. Baseline .... 92410
	<b>SAN FRANCISCO</b>	
	J.W. Jewett Co.	981 Folsom St. .... 94107
	<b>SACRAMENTO</b>	
	Luttig & Severson	2030 28th St. .... 95818
<b>COLORADO</b>	<b>DENVER</b>	
	South Denver Lawn Equip.	527 West Evans ..... 80223
<b>CONNECTICUT</b>	<b>SUFFIELD</b>	
	The Jones & Ramsey Co.	850 Thompsonville Rd. 06078
<b>FLORIDA</b>	<b>JACKSONVILLE</b>	
	Radco Distributors	2403 Market St. .... 32206
	<b>CORAL GABLES</b>	
	Moz-All of Florida, Inc.	365 Greco Ave. .... 33146
<b>GEORGIA</b>	<b>EAST POINT</b>	
	East Point Cycle & Key	2834 Church St. .... 30344
<b>ILLINOIS</b>	<b>LYONS</b>	
	Keen Edge Co.	8615 Ogden Ave. .... 60534
<b>INDIANA</b>	<b>ELKHART</b>	
	Parts & Sales Inc.	2101 Industrial Pkwy. ..46514
	<b>CORYDON</b>	
	Brown Equip. Dist., Inc.	110 Beech St. ....47112
<b>IOWA</b>	<b>DUBUQUE</b>	
	Power Lawn & Garden Equip.	2551 J.F. Kennedy .... 52001
<b>KANSAS</b>	<b>WICHITA</b>	
	Hixon, Inc.	3030 Mascot ..... 67204
<b>LOUISIANA</b>	<b>NEW ORLEANS</b>	
	Suhren Engine Co.	8330 Earhart Blvd. .... 70118
<b>MARYLAND</b>	<b>TAKOMA PARK</b>	
	Center Supply Co.	6867 New Hampshire Ave. 20012
<b>MASSACHUSETTS</b>	<b>SPRINGFIELD</b>	
	Morton B. Collins Co.	300 Birnie Ave. .... 01107
<b>MICHIGAN</b>	<b>MOUNT CLEMENS</b>	
	Power Equipment Dist.	36463 South Gratiot... 48043
	<b>LANSING</b>	
	Lorenz Service Co.	2500 S. Pennsylvania.. 48900
<b>MINNESOTA</b>	<b>MINNETONKA</b>	
	Hance Distributing Inc.	11212 Wayzata Blvd. ..55343
<b>MISSISSIPPI</b>	<b>BILOXI</b>	
	Biloxi Sales & Service, Inc.	506 Caillavet St. .... 39533
<b>MISSOURI</b>	<b>KANSAS CITY</b>	
	Automotive Equip. Service	3117 Holmes St. .... 64109
	<b>ST. LOUIS</b>	
	Henzler, Inc.	2015 Lemay Ferry Rd. 63125
<b>NEBRASKA</b>	<b>OMAHA</b>	
	R.P.W., Inc.	7402 "L" St. .... 68127

## BRIGGS & STRATTON, TECUMSEH AND PEERLESS PARTS AND SERVICE

Briggs & Stratton, Tecumseh and Peerless parts and service should be handled by your nearest authorized engine service firm. Check the yellow pages of your telephone directory under the listing *Engines Gasoline*, Briggs & Stratton or Tecumseh Lauson

<b>NEW YORK</b>	<b>CARTHAGE</b>	
	Gamble Dist., Inc.	West End Ave. .... 13619
	<b>SYRACUSE</b>	
	Kimber's, Inc.	115 N. Geddes St. .... 13204
	<b>ROCHESTER</b>	
	Henry W. O'Neil & Associates	410 N. Goodman St. ... 14609
<b>NORTH CAROLINA</b>	<b>GREENSBORO</b>	
	Dixie Sales Company	327 Battleground Ave.. 27402
	<b>GOLDSBORO</b>	
	Smith Hardware Co.	515 N. George St. .... 27530
<b>OHIO</b>	<b>WADSWORTH</b>	
	National Central	687 Seville Rd. .... 44281
	<b>CLEVELAND</b>	
	Bleckrie, Inc.	7900 Lorain Ave. .... 44102
	<b>CARROL</b>	
	Stebe's Mid-State Mower Supply	Box 366 ..... 43112
	<b>WILLARD</b>	
	Sunshine Wholesale Tire Outlet	Route 224 ..... 44890
	<b>MANSFIELD</b>	
	McClure Lawn & Garden Supply	1114 Lexington Ave. . 44903
<b>OKLAHOMA</b>	<b>MUSKOGEE</b>	
	Victory Motors, Inc.	605 S. Cherokee ..... 74401
	<b>ADA</b>	
	Ada Auto Supply	301 E. 12th St. .... 74820
<b>OREGON</b>	<b>PORTLAND</b>	
	Kenton Supply Co.	8216 N. Denver Ave. . 97217
<b>PENNSYLVANIA</b>	<b>LANCASTER</b>	
	Raub Supply Co.	James & Mulberry Sts...17604
	<b>PITTSBURGH</b>	
	Bluemont Co.	11125 Frankstown Rd.. 15235
<b>TENNESSEE</b>	<b>KNOXVILLE</b>	
	Master Repair Service	2423 Broadway, N.E. ...37917
	<b>MEMPHIS</b>	
	Memphis Cycle & Supply Co.	421 Monroe Ave. .... 38103
	American Sales & Service, Inc.	1922 Lynnbrook ..... 38117
<b>TEXAS</b>	<b>DALLAS</b>	
	Marr Brothers, Inc.	423 E. Jefferson ..... 75203
	<b>HOUSTON</b>	
	Bullard Supply Co.	2409 Commerce St. .... 77003
	<b>SAN ANTONIO</b>	
	Catto & Putty, Inc.	P.O. Box 2408 .....78206
	<b>FORT WORTH</b>	
	Woodson Sales Corp.	1702 N. Sylvania ..... 76111
<b>UTAH</b>	<b>SALT LAKE CITY</b>	
	A-1 Engine & Mower Co.	437 E. 9th St. ....84111
<b>VERMONT</b>	<b>BURLINGTON</b>	
	Vermont Appliance Co.	44 Lakeside Ave. ....05401
<b>VIRGINIA</b>	<b>RICHMOND</b>	
	RBI Corp.	963 Myers St. .... 23260
<b>WASHINGTON</b>	<b>SEATTLE</b>	
	Bailey's Rebuild, Inc.	1325 E. Madison St. ...98102
<b>WEST VIRGINIA</b>	<b>CHARLESTON</b>	
	Young's, Inc.	233 Virginia St., E. ... 25301
<b>WISCONSIN</b>	<b>APPLETON</b>	
	Automotive Supply Co.	123 S. Linwood Ave. ..54911

## WARRANTY PARTS AND SERVICE POLICY

The purpose of warranty is to protect the customer from defects in workmanship and materials, defects which are NOT detected at the time of manufacture. It does not provide for the unlimited and unrestricted replacement of parts. Use and maintenance are the responsibility of the customer. The manufacturer cannot assume responsibility for conditions over which it has no control. Simply put, if it's the manufacturer's fault, it's the manufacturer's responsibility; if it's the customer's fault, it's the customer's responsibility.

### CLAIMS AGAINST THE MANUFACTURER'S WARRANTY INCLUDES

1. Replacement of Missing Parts on new equipment.
2. Replacement of Defective Parts within the warranty period.
3. Repair of Defects within the warranty period.

All claims MUST be substantiated with the following information:

1. Model Number of unit involved.
2. Date unit was purchased or first put into service.
3. Date of failure.
4. Nature of failure.