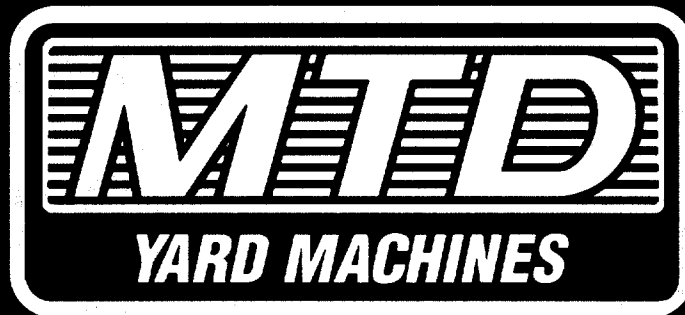


ILLUSTRATED PARTS

AMERICAN  AMERICAN
M A D E O W N E D
OUTDOOR POWER EQUIPMENT

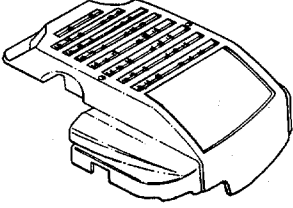
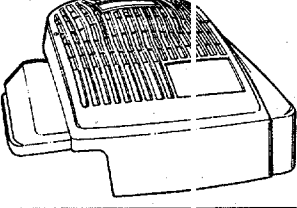
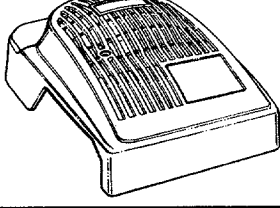
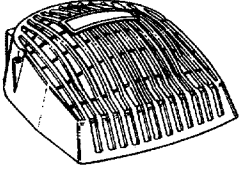
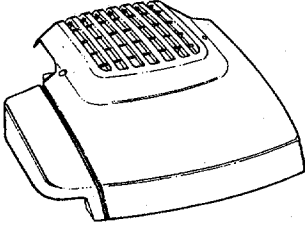
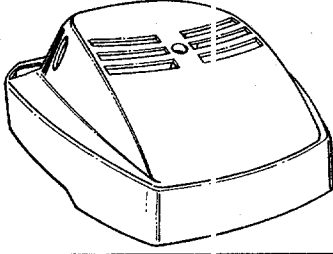
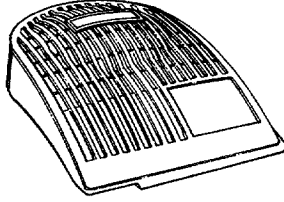
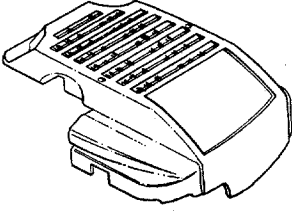


1995

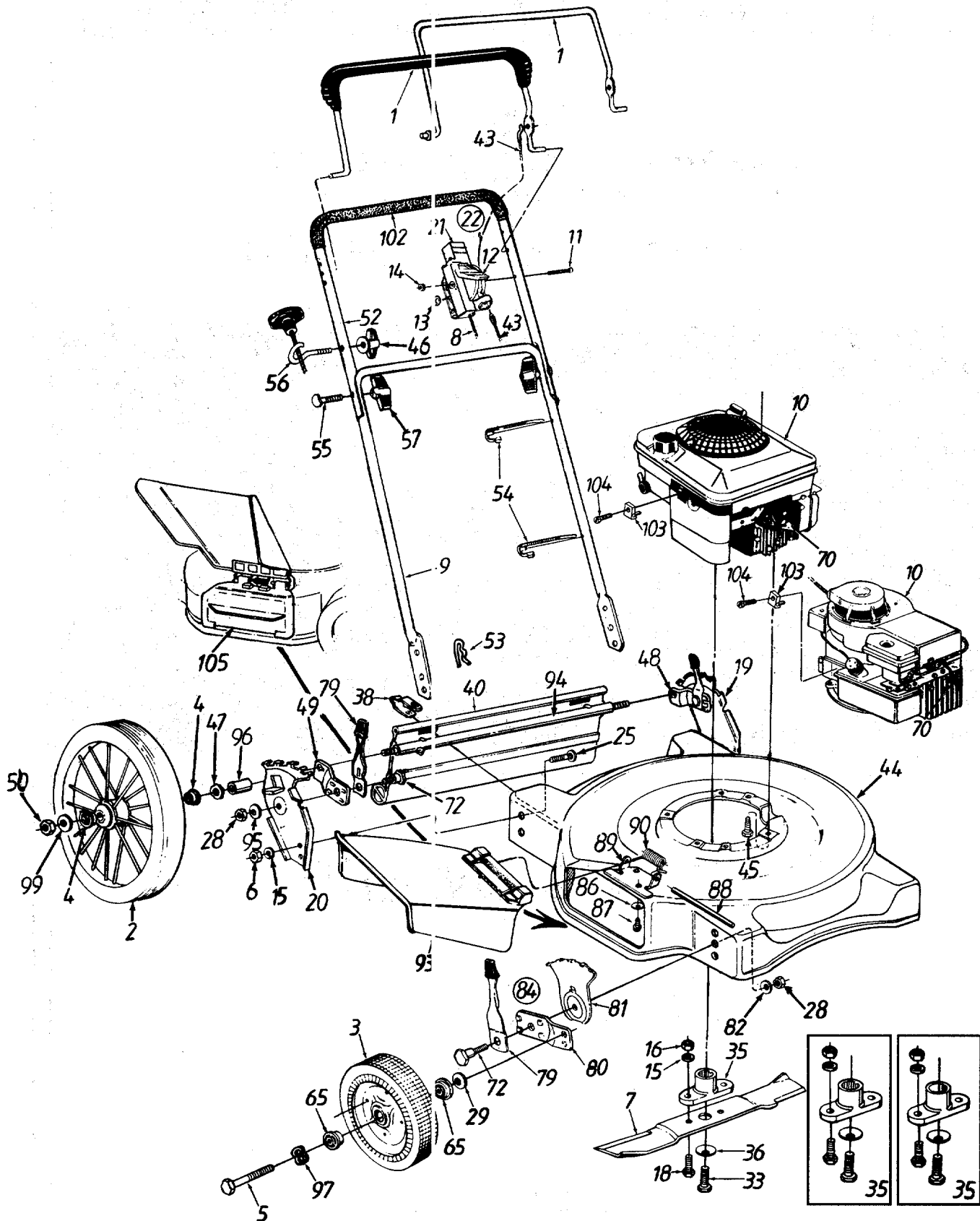
PUSH MOWERS

Model Number	Pages
115-504A000 thru 115-508R000	2, 3
115-515A000 thru 115-518G000	4, 5
115-733A000 thru 115-738R000	6, 7
Engine Shrouds	8

OPTIONAL ENGINE SHROUDS

							
Part No. 751B281439 751B281440 751B281443	Color Dark Red Black Bright Red	Part No. 731-1395 731-1396 731-1397	Color Red Black Gray	Part No. 731-1587 731-1603 731-1610	Color Black Yellow Pewter	Part No. 731-1561 731-1612	Color Black Red
Hardware: 710-1256 (Screw)		Hardware: 710-1256 (Screw)		Hardware: 710-1184 (Screw)		Hardware: 7510042823 (Screw)	
							
Part No. 731-1402	Color Yellow	Part No. 7510014308	Color Black	Part No. 731-1585	Color Black	Part No. 731-1586	Color Black
Hardware: 710-1256 (Screw)		Hardware: 7510042823 (Screw)		Hardware: 710-1274 (Screw)		Hardware: 7510042823 (Screw)	

Models 504 thru 508



Models 733 thru 738

PARTS LIST FOR MODELS 733 THRU 738 ROTARY MOWERS

REF. NO.	PART NO.	CODE	DESCRIPTION	REF. NO.	PART NO.	CODE	DESCRIPTION
1	647-0004		Control Handle Ass'y. (Deluxe)	44	735-0639		Spark Plug Boot
	747-0824		Control Handle Ass'y. (Std.)	45	811-00185		Throttle Box Comp. (Incl. Ref. 2, 3, 4, 5, 6)
2	710-0605		Oval C-Sunk Scr.				Axle Bolt
3	736-0501		Spr. Wash. .66" I.D.	46	738-0102		Bell-Wash. .400" I.D. x .88"
4	746-0876		Throttle Lever	47	736-0105		Shld. Bolt .50" Dia. x .357"
5	712-0324		Hex L-Nut 1/4-20 Thd.	48	738-0507B		Spring Lever Ass'y. w/Knob
6	646-0875		Throttle Body	49	14832		Pivot Bar
7	720-0226		Grip (Optional)	50	15262B		Height Adj. Plate
8	749-0538C		Upper Handle	51	15261A		Wheel Ass'y. Comp.
10	710-1205		Rope Guide	52	**		Height Adj. Ass'y. Comp.—R.F.
12	720-0276		Hand Knob	53	14578		Height Adj. Ass'y. Comp.—L.F.
13	710-1174		Curved Hd. Bolt 5/16-18 x 2" Lg.		14579		Throttle Cable—51" (734 and 738)
14	726-0240		Cable Tie	54	746-0842		Throttle Cable—39" (733 and 735)
15	749-0928		Lower Handle				Control Cable—39" (734)
16	714-0104		Hairpin Cotter		746-0844		Control Cable—49" (733 and 735)
17	17098		Hinge Clip				Control Cable—36" (738)
18	731-0872A		Rear Flap	55	746-0550		Hex L-Wash. Hd. Scr. 3/8-16 x 1.0" Lg.
21	736-0356		Bell-Wash. .39" I.D. x 1.38"		746-0552		Wave Washer .51" I.D. (Used w/Ball Bearings)
22	712-0798		Hex Nut 3/8-16 Thd.*				Handle Knob 1/4-20 Thd.
23	††		Hub Cap		746-0553		Chute Deflector
24	**		Bearing (Optional)	57	710-0654A		Mulching Plug
29	682-0025		20" Deck Ass'y.				Hex Wash. Hd. TT-Tap Scr. 1/4-20 x .5" Lg.
30	753-0484		Blade Adapter Kit	58	736-0504		Bell-Wash. 1/4" I.D.
31	736-0452		Bell-Wash. .39" I.D.				Height Adj. Ass'y. Comp.—R.R.
32	710-1044		Hex Bolt 3/8-24 x 1.5" Lg.	62	720-0279		Height Adj. Ass'y. Comp.—L.R.
33	742-0720		20" Mulching Blade	63	731-1409		
34	710-1055		Hex Bolt 3/8-24 x 1" Lg.	64	682-7002		
35	736-0169		L-Wash. 3/8" I.D.*	65	710-0599		
36	712-0241		Hex Nut 3/8-24 Thd.	66	736-0270		
39	—		Engine	67	682-3024		
41	751B213146		Cable Clamp (734 and 738)	68	682-3025		
	7510007755		Cable Clamp (733 and 735)				
42	710-1237		Hex Self-Tap Scr. #10-32 x .62" (734 and 738)				
	710-0871		Sems Scr. #10-32 x .38" Lg. (733 and 735)				

*For faster service obtain standard nuts, bolts and washers locally. If these items cannot be obtained locally, order by part number and size as shown on parts list.




**FRONT WHEEL CHART	Bar Tread	"S" Wave Tread
Wheels w/o Bearings	734-1781 (Gray—No Hub Cap) 634-0020 (Gray—Uses Hub Cap)	
Wheels with Ball Brgs.† (Brg. Part No. 741-0484)		734-1513B (Gray)

†Require Wave Washer 736-0504

Models 504 thru 508

PARTS LIST FOR MODELS 504 THRU 508 ROTARY MOWERS

REF. NO.	PART NO.	CODE	DESCRIPTION	REF. NO.	PART NO.	CODE	DESCRIPTION
1	747-0824		Control Handle (Std.)	49	782-0520		Small Pivot Bar—R.H.
	647-0004		Control Handle (Deluxe)	50	712-3020		Hex Jam Nut 3/8-16 Thd.
2	734-1661		16" Wheel Ass'y.	52	749-0538C		Upper Handle
3	**		Front Wheel Ass'y.	53	714-0104		Intern. Cot. Pin 5/16" Dia.
4	741-0484		Bearing 1/2" I.D.	54	726-0240		Cable Tie
5	738-0102		Front Axle Bolt	55	710-1174		Curved Hd. Bolt 5/16-18 x 2" Lg.
6	712-0328		Hex Nut 3/8-24 Thd. (Gr. 8)	56	710-1205		Rope Guide
7	742-0622		22" Blade	57	720-0276		Hand Knob
	742-0722		22" Mulching Blade (Optional)	65	**		Bearing
8	746-0842		Throttle Control Wire—51"	70	735-0639		Spark Plug Boot (Optional)
9	749-0928		Lower Handle	72	738-0507B		Shoulder Bolt .50" Dia.
10	—		Engine	79	14832		Spring Lever Ass'y. w/Knob
11	710-0605		Oval C-Sunk Mach. Scr.	80	15262B		Pivot Bar
12	746-0876		Throttle Lever	81	15261A		Height Adj. Plate
13	736-0501		Spr. Wash. .66" I.D.	82	736-0356		Bell-Wash. .39" I.D. x 1.38"
14	712-0324		Hex L-Nut 1/4-20 Thd.	84	14578		Front Height Adj. Ass'y.
15	736-0169		L-Wash. 3/8" I.D.*				Comp.—R.H.
16	712-0241		Hex Nut 3/8-24 Thd.		14579		Front Height Adj. Ass'y.
17	712-0431		Flange L-Nut 3/8-18 Thd.				Comp.—L.H. (Not Shown)
18	710-1055		Hex Bolt 3/8-24 x 1.0" Lg.	86	736-0270		Bell-Wash. .285" I.D. x .75"
19	682-0517		Handle Brkt. Ass'y.—L.H.	87	710-0599		Hex Wash. Hd. Tap Scr.
20	682-0518		Handle Brkt. Ass'y.—R.H.				1/4-20 x .5" Lg.
21	646-0875		Throttle Body	88	747-0710		Hinge Pin
22	811-00185		Throttle Box Comp. (Incl. Ref. 11, 12, 13, 14, 21)	89	17032		Adapter Plate
25	710-0793		Ribbed Neck Bolt 3/8-24 x .80"	90	732-0593		Torsion Spring
28	712-0798		Hex Nut 3/8-16 Thd.*	93	731-1034		Chute Deflector Ass'y. Comp.
29	736-0105		Bell-Wash. .400" I.D. x .88"	94	738-0878		Rear Axle
33	710-1044		Hex Bolt 3/8-24 x 1.5" Lg.	95	736-0331		Bell-Wash. .39" I.D. x 1.13"
35	753-0484		Blade Adapter Kit	96	750-0151		Spacer .55" I.D. x .75"
36	736-0452		Bell-Wash. .39" I.D.	97	736-0504		Wave Washer .51" I.D.
38	17098		Hinge Clip	99	736-3050		(Used w/Ball Brg. Wheels)
40	731-1026		Rear Flap Ass'y.	100	736-0182		FI-Wash. .406" I.D. x .81"
43	746-0550		Control Cable—39" (504, 508)	102	720-0226		Spr. Wash. .5" I.D. x 1.0"
	746-0737		Control Cable—51" (507)	103	751B213146		Foam Grip (Optional)
44	682-0221		22" Deck Ass'y.		7510007755		Casing Clamp (504, 508)
45	710-0654A		Hex Wash. Hd. TT-Tap Scr. 3/8-16 x 1.00" Lg.	104	710-1237		Casing Clamp (507)
46	720-0297	N	Handle Knob 1/4-20 Thd.		710-0871		Hex Wash. Hd. Tap Scr. #10-32 x .62" Lg. (504, 508)
47	736-0504		Wave Wash. .51" I.D.				Hex Sems Scr. #10-32 x .3" Lg. (507)
48	782-0519		Small Pivot Bar—L.H.	105	731-1386A		Mulching Baffle (Optional)

**FRONT WHEEL CHART	Bar Tread 	"T" Tread 	"S" Wave Tread 
Wheels w/o Bearings	734-1781 (Gray— No Hub Cap) 634-0020 (Gray— Uses Hub Cap) 734-1782 (Beige)		734-1512A (Gray)
Wheels w/Plastic Brgs. (Brg. Part No. 741-0262)		734-1566	
Wheels with Ball Brgs.† (Brg. Part No. 741-0484)		734-1268	734-1513B (Gray)

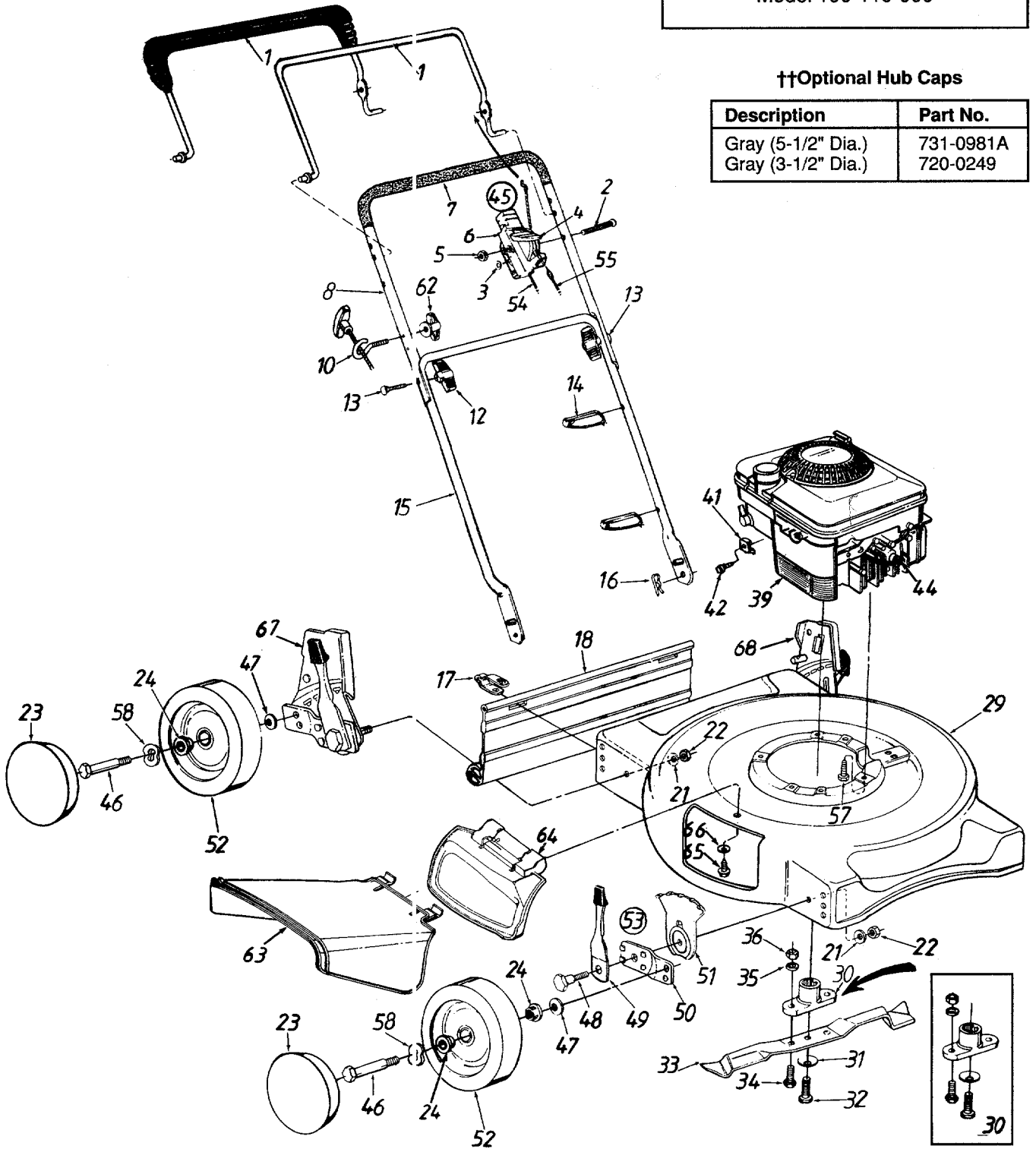
†Require Wave Washer 736-0504

Models 733 thru 738

Grass Catcher Complete (Optional)
Model 190-110-000

††Optional Hub Caps

Description	Part No.
Gray (5-1/2" Dia.)	731-0981A
Gray (3-1/2" Dia.)	720-0249

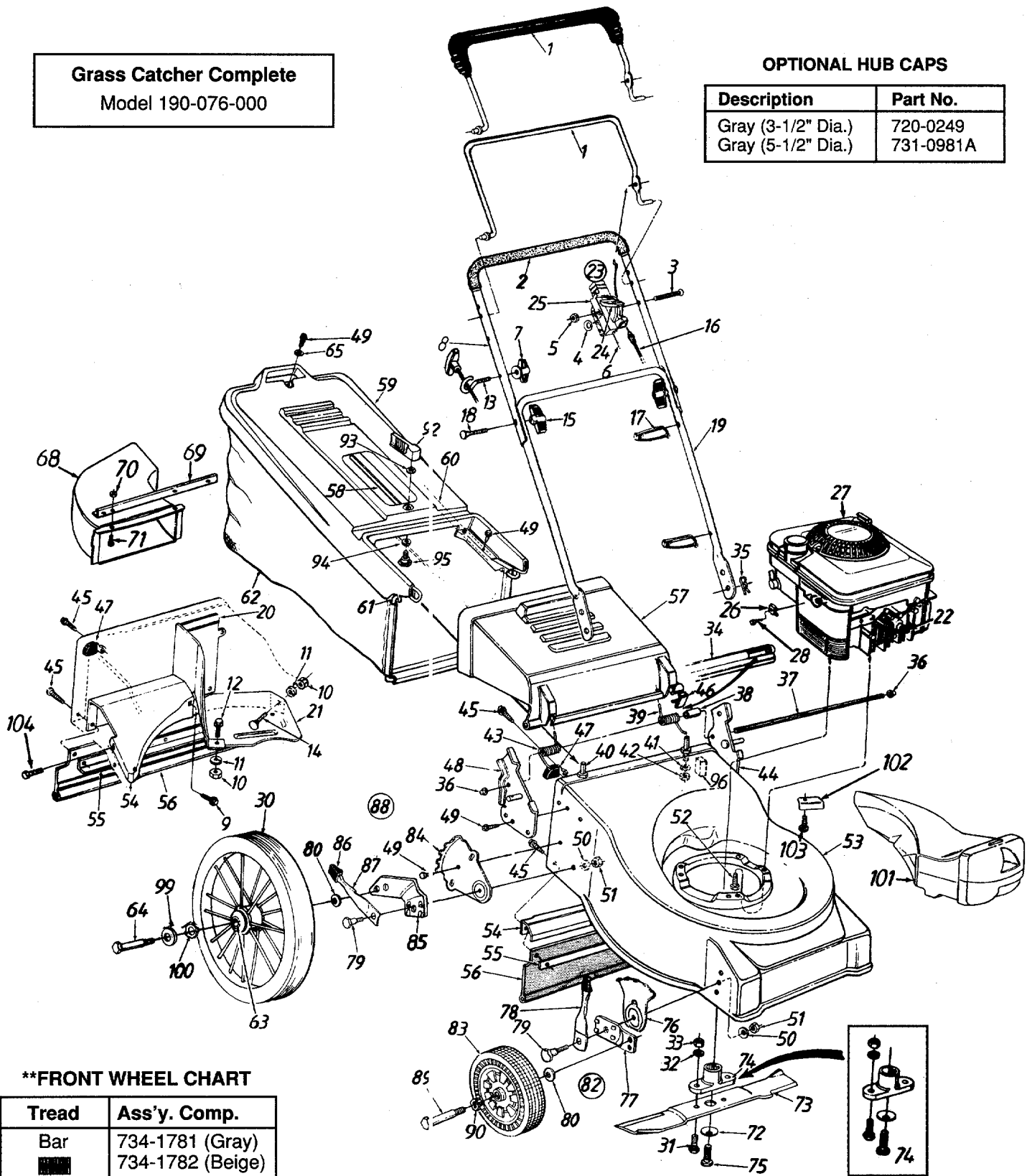


Models 515, 517 and 518



Grass Catcher Complete
Model 190-076-000

OPTIONAL HUB CAPS

Description	Part No.
Gray (3-1/2" Dia.)	720-0249
Gray (5-1/2" Dia.)	731-0981A



**FRONT WHEEL CHART

Tread	Ass'y. Comp.
Bar 	734-1781 (Gray) 734-1782 (Beige)
S-Wave 	734-1512A (Gray)

Models 515, 517 and 518

PARTS LIST FOR MODELS 515, 517 AND 518 ROTARY MOWERS

REF. NO.	PART NO.	CODE	DESCRIPTION	REF. NO.	PART NO.	CODE	DESCRIPTION
1	747-0824		Control Handle Ass'y. (Std.)	50	736-0356		Bell-Wash. .39" I.D.
	647-0004		Control Handle Ass'y. (Deluxe)	51	712-0798		Hex Nut 3/8-16 Thd.*
2	720-0226		Foam Grip (Optional)	52	710-0654A		Hex L-Wash. Hd. Scr. 3/8-16 x 1" Lg.
3	710-0605		Oval C-Sunk Scr.				21" Deck Ass'y.
4	736-0501		Spr. Wash. .66" I.D.	53	16998A		Chute Baffle
5	712-0324		Hex L-Nut 1/4-20 Thd.	54	17008		Retaining Strip 14.25" Lg.
6	746-0843		Throttle Cable—55" (518C)	55	14847		Rear Flap 17.30" Lg.
	746-0845		Throttle Cable—45" (515A)	56	731-0669		Rear Chute Deflector
	746-0842		Throttle Wire—51" (517G)	57	731-0859		Hardtop Handle
7	720-0297		Handle Knob 1/4-20 Thd.	58	731-0856A		Hardtop Bag Cover
8	749-0538C		Upper Handle	59	731-0857A		Rear Catcher Frame
9	710-0352		Hex B-Tap Scr. 1/4 x .38" Lg.	60	749-0736A		Front Catcher Frame
10	712-0287		Hex Nut 1/4-20 Thd.*	61	764-0411		Grass Bag
11	736-0329		L-Wash. 1/4" I.D.*	62	764-0252		Bearing (2 Per Wheel)
12	710-0252		Hex Bolt 1/4-20 x .85" Lg.	63	741-0484		Shld. Bolt .5 Dia. x 2.62"
13	710-1205		Rope Guide	64	738-0481		FI-Wash. .281" I.D.
14	710-0167		Carr. Bolt 1/4-20 x .5" Lg.	65	736-0463		Chute Deflector (Optional)
15	720-0276		Hand Knob	68	731-1461		Chute Mounting Brkt. (Optional)
16	746-0554		Control Cable—40.5" (518C)	69	782-7011		Hex L-Nut 1/4-20 Thd.
	746-0555		Control Cable—55" (515A and 517G)	70	712-0324		Mach. Scr. 1/4-20 x .5" Lg.
17	726-0240		Cable Tie	71	710-0286		Bell-Wash. .39" I.D.
18	710-1174		Curved Hd. Bolt 5/16-18 x 2" Lg.	72	736-0452		21" Blade
19	749-0928		Lower Handle	73	742-0621		Mulching Blade (Optional)
20	17007		Rear Panel Baffle	74	753-0484		Blade Adapter Kit
21	17013		Baffle	75	710-1044		Hex Bolt 3/8-24 x 1.5"
22	735-0639		Spark Plug Boot (Optional)	76	15261A		Height Adj. Plate
23	811-00185		Throttle Box Comp. (Incl. Ref. 3, 4, 5, 24, 25)	77	15262B		Pivot Bar
24	746-0876		Throttle Lever	78	14832		Spring Lever Ass'y. w/Knob
25	646-0875		Throttle Body	79	738-0507B		Shld. Bolt .50" Dia. x .357"
26	751B213146		Cable Clamp (518C)	80	736-0105		Bell-Wash. .38" I.D. x .88" O.D.
	7510007755		Cable Clamp (515A and 517G)	82	14578		Height Adj. Ass'y. Comp.—R.H.
27	—		Engine		14579		Height Adj. Ass'y. Comp.—L.H. (Not Shown)
28	710-1237		Hex Self-Tap Scr. #10-32 x .62" Lg. (518C)	83	**		Front Wheel Ass'y. Comp.
	710-0871		Hex Sems Scr. #10-32 x .38" Lg. (515A and 517G)	84	14764C		Index Plate
30	734-1661		Wheel Ass'y. Comp.—Steel Rim	85	17488		Pivot Bar—R.H.
31	710-1055		Hex Bolt 3/8-24 x 1"		17489		Pivot Bar—L.H. (Not Shown)
32	736-0169		L-Wash. 3/8" I.D.	86	720-0190		Spring Lever Knob
33	712-0241		Hex Nut 3/8-24 Thd.	87	732-0417A		Spring Lever
34	731-0858		Seal—Extrusion	88	17490		Rear Height Adj. Ass'y. Comp.—R.H.
35	714-0104		Int. Cotter Pin 5/16" Dia.		17491		Rear Height Adj. Ass'y. Comp.—L.H. (Not Shown)
36	726-0106		Cap Speed Nut	89	738-0102		Front Axle Bolt
37	747-0698B		Hinge Pin 17.75" Lg.	90	736-0504		Wave Wash. .51" I.D. x .78" O.D. (Used w/Ball Brg.)
38	750-0566		Spacer .255" I.D.				Grass Catcher Locking Knob
39	732-0577A		Torsion Spring—L.H.	92	720-0224		Internal L-Wash. 1/4" I.D.
40	711-0805		Shld. Pin 3/8-24 x 1.43" Lg.	93	736-0498		Wave Washer 3/8" I.D.
41	736-0169		L-Wash. 3/8" I.D.*	94	736-0286		Shld. Bolt .342" Dia. x .268"
42	712-0711		Hex Jam Nut 3/8-24 Thd.	95	738-0137		Plug
43	732-0578A		Torsion Spring—R.H.	96	731-0564		FI-Wash. .51" I.D. x 1.373"
44	12297B		Handle Brkt. Ass'y.—L.H.	99	736-0456		Spr. Wash. .5" I.D. x 1" O.D.
45	710-1017		Torx Mach. AB-Tap Scr. 1/4 x .62" Lg.	100	736-0182		Mulching Plug (Optional)
46	731-0970B		Deflector Plug	101	731-1446		Stop Bracket (Optional)
47	731-0931		Corner Plug	102	782-7010		Hex Tap Scr. 3/8-16 x .75" Lg.
48	12296B		Handle Brkt. Ass'y.—R.H.	103	710-1006		Hex B-Tap Scr. 1/4 x .38" Lg.
49	710-0896		Hex L-Wash. B-Tap Scr. 1/4 x .62" Lg.	104	710-0653		

*For faster service obtain standard nuts, bolts and washers locally.
If these items cannot be obtained locally, order by part number
and size as shown on parts list.