

Owner's Operating Service Instruction Manual

10¢

- ASSEMBLY
- OPERATION
- REPAIR PARTS

Model Nos.
115-112A
115-122A
115-132A
115-142A

20" & 22" ROTARY MOWERS

WARRANTY

For one year from date of purchase, MTD Products Inc will replace for the original purchaser, free of charge, F.O.B. factory or authorized service firm, any part or parts found to be defective in material or workmanship. All transportation charges on parts submitted for replacement under this warranty must be paid by the purchaser. This warranty does not include replacement of parts which become inoperative through misuse, excessive use, accident, neglect, improper maintenance or alterations by unauthorized persons. This warranty does not include the engine, motor, battery, battery charger or any component parts thereof. For service on these units, refer to the applicable manufacturer's warranty.

The above warranty will apply only to the original owner and will be effective only if the warranty card has been properly processed. It will not apply where the unit has been used commercially.

Warranty service is available through your local authorized service dealer or distributor. **UNDER NO CIRCUMSTANCES WILL THE RETURN OF A COMPLETE UNIT BE ACCEPTED BY THE FACTORY UNLESS PRIOR WRITTEN PERMISSION HAS BEEN EXTENDED.**

I M P O R T A N T

SAFE OPERATION PRACTICES FOR WALK-BEHIND MOWERS

TRAINING

1. Read the Operating and Service Instruction Manual carefully. Be thoroughly familiar with the controls and the proper use of the equipment.
2. Never allow children to operate a power mower.
3. Keep the area of operation clear of all persons, particularly small children and pets.

PREPARATION

1. Thoroughly inspect the area where the equipment is to be used and remove all stones, sticks, wire, bones and other foreign objects.
2. Do not operate equipment when barefoot or wearing open sandals. Always wear substantial footwear.
3. Check the fuel before starting the engine. Do not fill the gasoline tank indoors, when the engine is running, or while the engine is still hot. Wipe off any spilled gasoline before starting the engine.
4. Disengage the self-propelled mechanism or drive clutch on units so equipped before starting the engine.
5. Never attempt to make a wheel adjustment while the engine is running.
6. Mow only in daylight or in good artificial light.
7. Never operate the equipment in wet grass. Always be sure of your footing; keep a firm hold on the handle and walk, never run.

OPERATION

1. Do not change the engine governor settings or overspeed the engine.
2. Do not put hands or feet near or under rotating parts. Keep clear of the discharge opening at all times.
3. Stop the blade(s) when crossing gravel drive, walks or roads.
4. After striking a foreign object, stop the engine, remove the wire from the spark plug, thoroughly inspect the mower for any damage, and repair the damage before restarting and operating the mower.

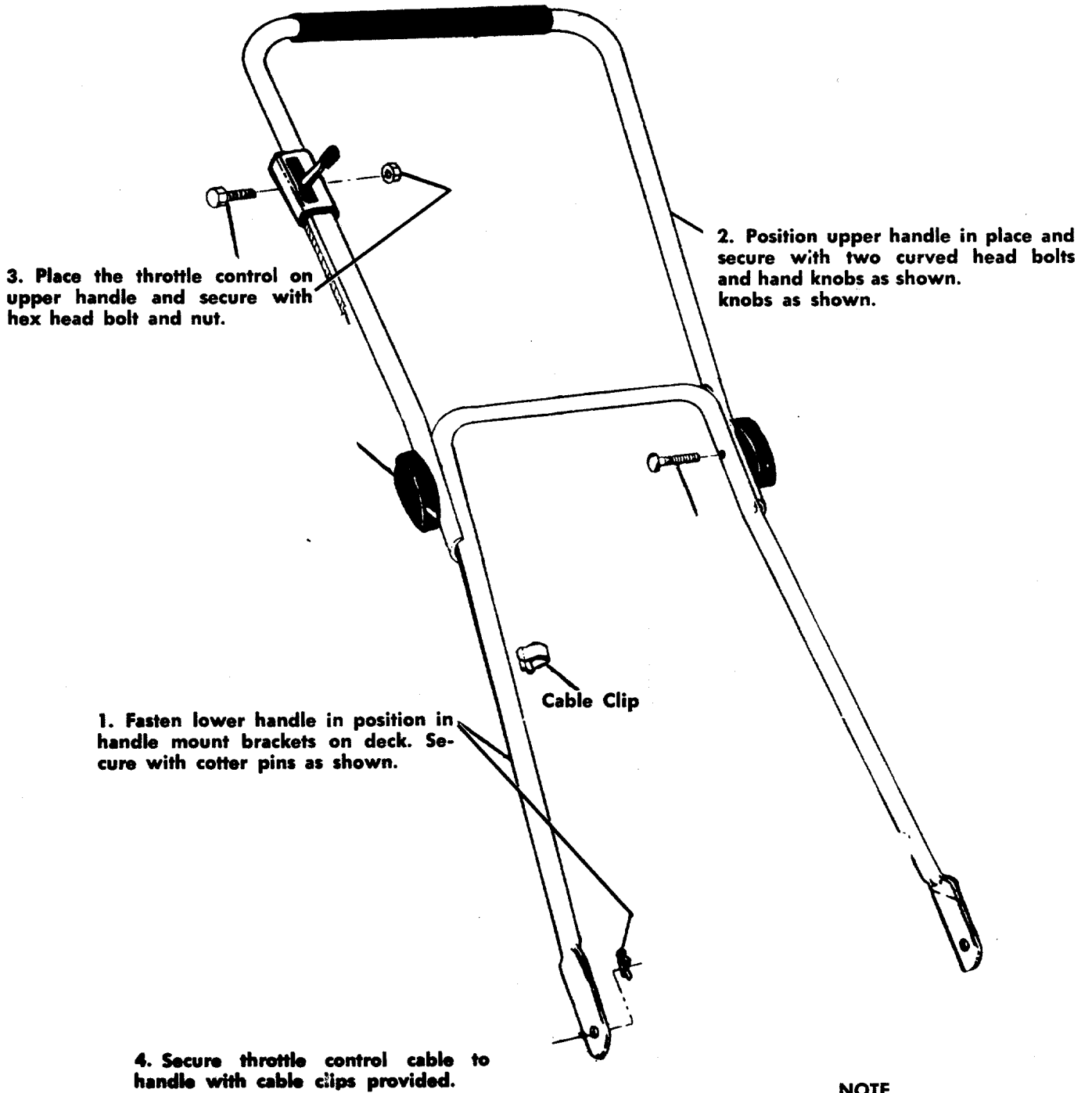
5. If the equipment should start to vibrate abnormally, stop the engine and check immediately for the cause. Vibration is generally a warning of trouble.
6. Stop the engine whenever you leave the equipment, before cleaning the mower housing, and when making any repairs or inspections.
7. When cleaning, repairing or inspecting, make certain the blade and all moving parts have stopped. Disconnect the spark plug wire, and keep the wire away from the plug to prevent accidental starting.
8. Do not run the engine indoors.
9. Shut the engine off and wait until the blade comes to a complete stop before removing the grass catcher or unclogging chute.
10. Mow across the face of slopes, never up-and-down. Exercise extreme caution when changing direction on slopes. Do not mow excessively steep slopes.
11. Always disconnect electric mowers (line operated) before cleaning, repairing or adjusting.
12. Never operate mower without proper guards, plates or other safety protective devices in place.
13. Keep washout ports and other mower-housing service openings closed when mowing.

MAINTENANCE AND STORAGE

1. Check the blade and engine mounting bolts at frequent intervals for proper tightness.
2. Keep all nuts, bolts, and screws tight to be sure the equipment is in safe working condition.
3. Never store the equipment with gasoline in the tank inside of a building where fumes may reach an open flame or spark. Allow the engine to cool before storing in any enclosure.
4. To reduce fire hazard, keep the engine free of grass, leaves, or excessive grease.
5. Check the grass catcher bag frequently for wear or deterioration. Replace with new bag for safety protection.

HANDLE ASSEMBLY FOR MODELS 115-112A AND 115-122A

NOTE: Follow instructions starting with Number 1 and continue through Number 5.



It may be necessary to spread the ends of the lower handle outward slightly to assure a snug fit against the bracket mounting area.

HANDLE ASSEMBLY FOR MODELS 115-132A AND 115-142A

1. Remove the loose hardware from the assembly pack. You will need a screwdriver and a 5/16" wrench, either a socket as shown in figure 1 or an open end wrench.
2. Assemble the lower handle to the handle brackets as shown in figure 2.
3. Secure the handle with cotter hairpins on both sides. See figure 2.
4. Place the handle panel over the lower handle and fasten with the handle panel screw using a 5/16" wrench. See figure 3.
5. Place the upper handle over the lower handle and line up the holes as shown in figure 4.
6. Insert the curved head bolt from the inside and tighten the knob by hand. See figure 4.
7. Place the throttle control in the handle panel and assemble it with the two throttle screws using a screwdriver. See figure 5.
8. Use the cable clip to fasten the throttle control wire to the lower handle.
9. Check ALL nuts and bolts for correct tightness.

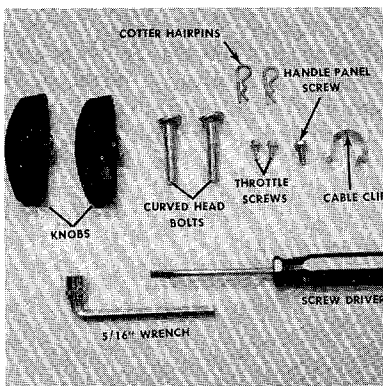


FIGURE 1.

LOOSE HARDWARE AND TOOLS

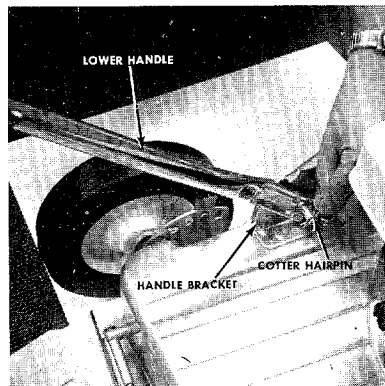


FIGURE 2.

LOWER HANDLE ASSEMBLY

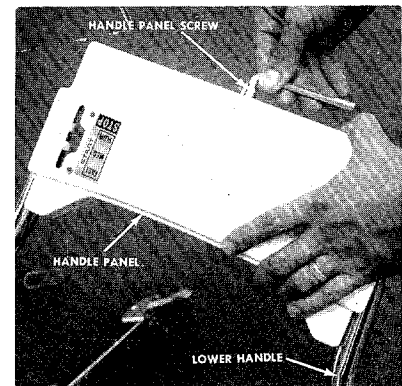


FIGURE 3.

HANDLE PANEL ASSEMBLY

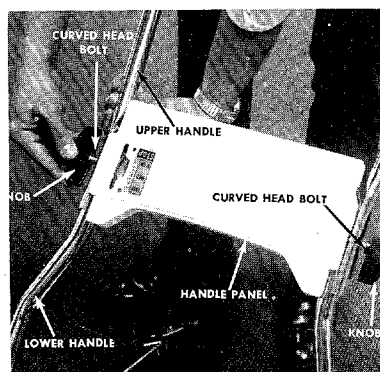


FIGURE 4.

UPPER HANDLE ASSEMBLY

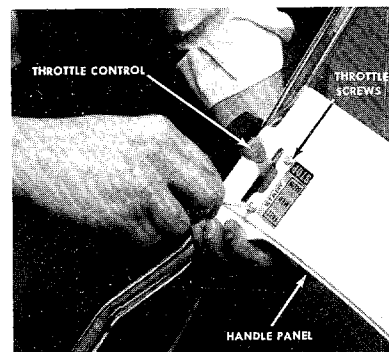


FIGURE 5.

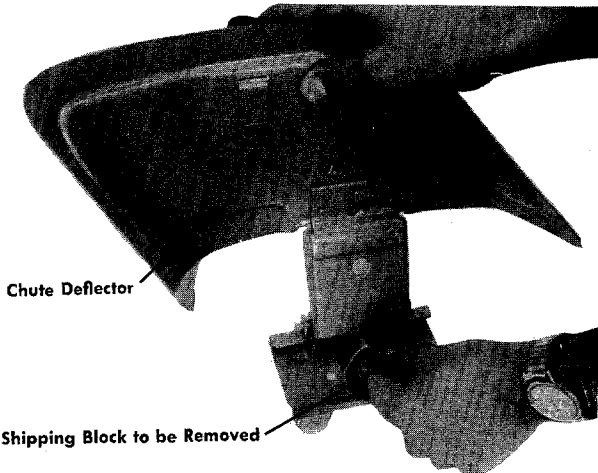
THROTTLE CONTROL ASSEMBLY

NOTE

It may be necessary to spread the ends of the lower handle outward slightly to assure a snug fit against the bracket mounting area.

CAUTION

Please note that the chute deflector on your mower is in an upright position. It is held in that position by a shipping block. This block is used for shipping purposes only. It must be removed and discarded before your mower is put into operation.



NOTE

For shipping purposes your mower is set with the wheels in a low cutting height position. For best results raise the cutting position until it is determined which height is best for your lawn. See adjustments.

1. Service engine with gas and oil. See engine manual packed with lawn mower for complete instructions for the care and maintenance of engine. READ DIRECTIONS CAREFULLY.
2. When ready to start engine, place throttle control lever on handle in "START" position and start engine in accordance with instructions in engine manual. After engine starts, move throttle control lever on handle to desired engine speed. The engine is stopped by placing control lever on handle in the "STOP" position.
3. Be sure that lawn is clear of stones, sticks, wire or other objects which could damage lawn mower or engine. For best results and to insure more even grass distribution, do not mow when lawn is excessively wet.

ADJUSTMENTS

CAUTION

Do not at any time make any adjustment to lawn mower without first stopping engine and disconnecting spark plug wire.

CUTTING HEIGHT

(For Models 115-112A and 115-122A)

Adjustment may be made by removing and moving wheel studs to desired position. Cutting heights will be raised as wheel studs are moved to a lower hole and lowered as wheel studs are moved to a higher hole in the deck. All wheel studs must be mounted in a relative position to the deck.

EASY CUTTING HEIGHT

(For Models 115-132A and 115-142A)

An adjusting plate and thumb lever at each wheel position provides cutting height adjustment. Each adjusting plate has five holes. Height of cut will be changed when the thumb lever is moved from one hole to another. Simply depress thumb lever towards wheel and move wheel and lever assembly to desired position. All wheels must be positioned in relative height of cut positions.

THROTTLE

If adjustment becomes necessary, the throttle control wire assembly can be reset as follows:

1. Loosen, but do not remove, screw securing throttle control wire assembly at engine.
2. Move throttle control lever on handle to "FAST" position.
3. Move lever, to which control wire is fastened at engine, to full open position and retighten screw to secure throttle control wire assembly.

LUBRICATION

IMPORTANT: Always stop engine and disconnect spark plug wire before cleaning, lubricating or doing any kind of work on lawn mower.

Wheels—Wheel bearings are of self-lubricating Fortiflex. They require no lubrication. If your unit is provided with optional ball bearing wheels, lubricate at least once a season with light oil.

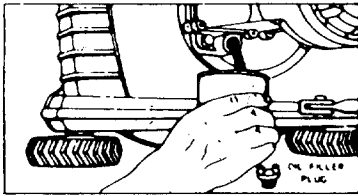
Protective Shield—The pivot points on the protective shield should be lubricated periodically with light oil to prevent any rust or binding.

Chute Deflector—The torsion spring and pivot point should be lubricated periodically with light oil to prevent any rust or binding. Deflector must work freely.

Throttle—Periodically lubricate throttle control lever and throttle wire assembly with a few drops of light oil (SAE No. 10 or 20) for ease of operation.

Engine—Follow engine manual for lubrication instructions.

NOTE: FILL AND DRAIN OIL FROM OIL FILL PLUG.



Always disconnect spark plug cable during repairs, refueling or changing oil. Engine oil may be drained through oil filler opening by tilting the mower on its side. Change oil after first 5 hours of operation while engine is warm. Thereafter, change oil every 25 hours of operation while engine is warm.

MAINTENANCE

CUTTING BLADE

The blade may easily be removed for grinding or replacement as follows:

1. Remove bolt and lock washer holding blade and blade adapter to engine crankshaft.
2. Remove blade and blade adapter from engine crankshaft.
3. Remove two bolts, lock washers and nuts holding blade to blade adapter (if necessary).

When sharpening blade, follow the original angle of grind as a guide. It is extremely important that each cutting edge receives an equal amount of grinding to prevent an unbalanced blade. An unbalanced blade will cause excessive vibration when rotating at high speeds and may cause damage to the mower.

NOTE

To insure safe operation of your unit, ALL nuts and bolts must be checked periodically for correct tightness.

Deck—The underside of mower deck should be cleaned after each period of use as grass clippings, leaves, dirt and other matter will accumulate. This accumulation of grass clippings, etc., is undesirable as it will invite rust and corrosion and may cause an uneven discharge of grass clippings at the next cutting.

The deck may be cleaned by tilting the mower forward or on its side and scraping clean with a suitable tool or by washing with a stream of water from a garden hose.

CAUTION: Do not direct the stream of water at a hot engine as damage to the engine may result.

STORAGE—The following steps should be taken to prepare lawn mower for storage.

1. Clean and lubricate mower thoroughly as described in the preceding instructions.
2. Refer to Engine Manual for correct engine storage instructions.
3. Coat mower's cutting blade with chassis grease to prevent rusting.
4. Place blocks under deck to raise tires clear of floor.
5. Store mower in a dry, clean area.

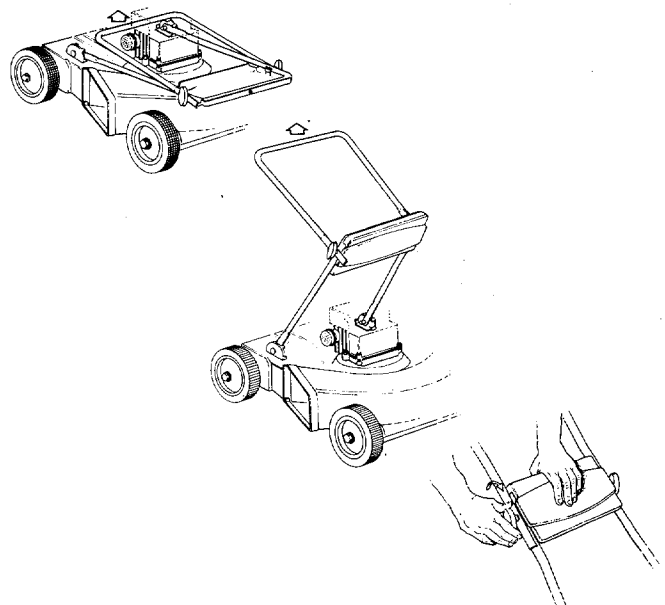
HANDLE STORAGE

This model is so equipped to provide easy fold away handle storage.

1. Loosen the two plastic knobs on each side, center of handle.
2. Pull inward on the bottom of each side of the lower handle and push forward.
3. Fold the upper handle back and down as shown.

To Take the Handle out of Storage Position.

1. Lift the upper handle up and towards the rear as shown.
2. Pull the handle back until it **Locks** into the operator's position.
3. Tighten the two plastic knobs securely.



USING YOUR ROTARY MOWER

For the best results do not cut wet grass because it tends to stick to the underside of the mower, thus preventing proper discharge of grass clippings. If wet grass must be cut, reduce walking speed to help distribute the clippings more effectively.

New grass should be treated as wet grass, otherwise a normal walking speed is about the right pace for efficient mowing.

The best mowing pattern is one that allows the clippings to discharge towards the uncut part of the lawn. This permits recutting of the clippings to further pulverize them. When cutting high weeds, discharge towards cut portion then recut at right angles to first direction.

Lawn should be cut in the fall as long as there is growth.

NOTE

The manufacturer **DOES NOT** recommend the use of any accessory on this Rotary Mower other than those manufactured by MTD Products Inc.

GRASS CATCHER Model No. 195-003A is available as optional equipment for the mowers shown in this manual.

WARNING

1. The mower should not be operated without the entire grass catcher or chute deflector in place.
2. The mower should not be operated without the protective shield on the rear of the deck in place.

NOTE:

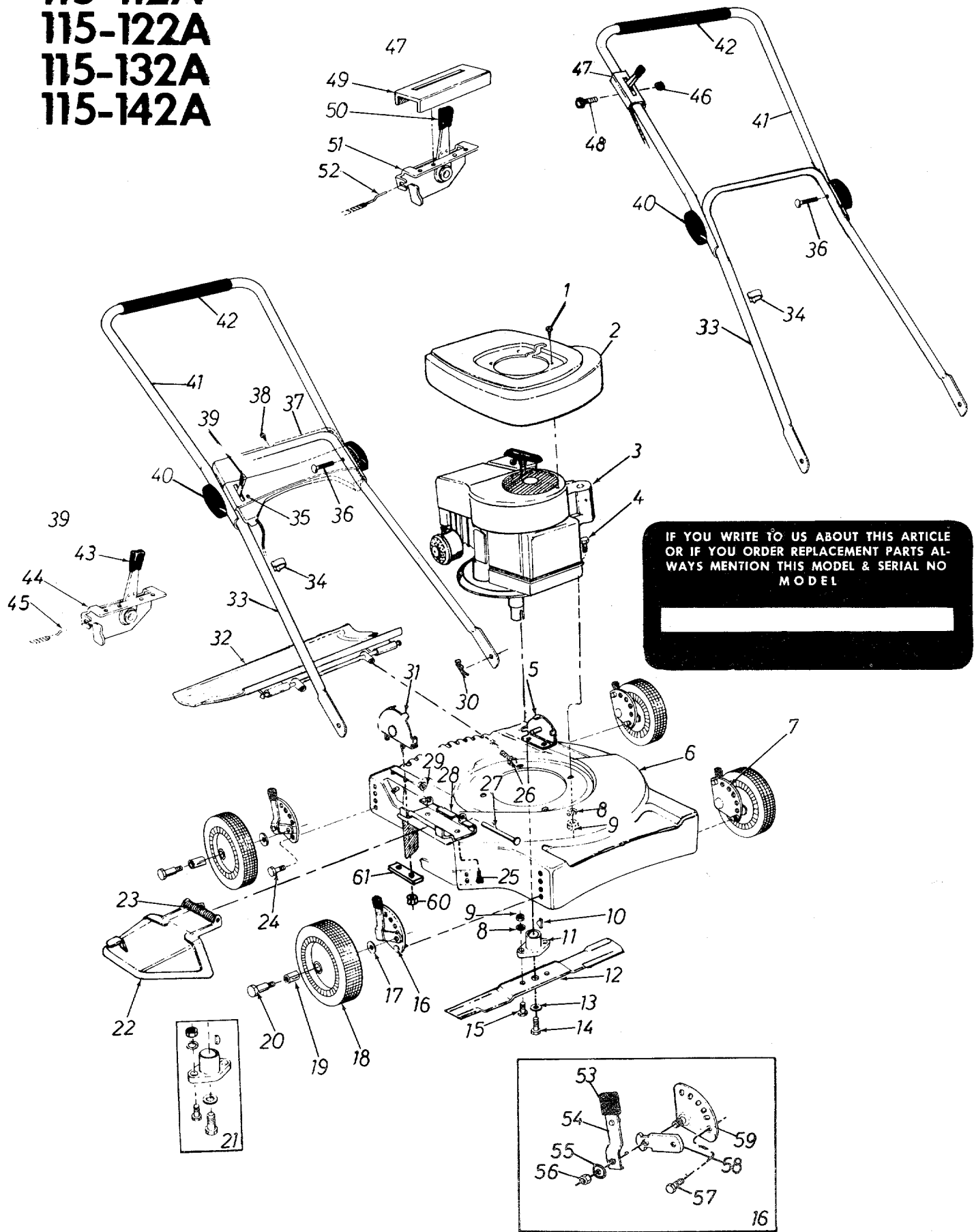
Under normal usage bag material is subject to wear and should be checked periodically. Be sure any replacement bag complies with the mower manufacturer's recommendations.

For replacement bags, use only factory authorized replacement bag No. 764-0119.

★ IMPORTANT

After striking a foreign object, stop the engine, remove wire from spark plug. Thoroughly inspect the mower for any damage, and repair the damage before restarting and operating the mower.

115-112A
115-122A
115-132A
115-142A



IF YOU WRITE TO US ABOUT THIS ARTICLE
 OR IF YOU ORDER REPLACEMENT PARTS AL-
 WAYS MENTION THIS MODEL & SERIAL NO
 MODEL

PARTS LIST FOR MODELS 115-112A, 115-122A, 115-132A AND 115-142A

Ref. No.	Part No. 115-112A	Color Code	Part No. 115-122A	Color Code	Part No. 115-132A	Color Code	Part No. 115-142A	Color Code	Description
1	710-0227		710-0227		710-0227		710-0227		Hex Wash. Hd. AB-Tapp Scr.: #8 x .38" Lg.
2	10611		10611		10612		10612		Shroud
3	—		—		—		—		Engine
4	710-0158		710-0158		710-0158		710-0158		Hex Scr. 5/16-24 x 1.25" Lg.*
5	08389		08389		08389		08389		Handle Mount Bracket Ass'y. L.H.
6	11410-458		11412-458		11410-458		11412-458		Deck Assembly Complete
7	None		None		10950		10950		Height Adjuster Ass'y. Comp.—L.H.
8	736-0119		736-0119		736-0119		736-0119		L-Wash. 5/16" Scr.*
9	712-0123		712-0123		712-0123		712-0123		Hex Nut 5/16-24 Thd.*
10	714-0365		714-0365		714-0365		714-0365		#6 Hi-Pro Key 5/32 x 5/8" Dia.
11	10769		10769		10769		10769		Blade Adapter Kit
12	742-0123		742-0125		742-0123		742-0125		Blade
13	736-0217		736-0217		736-0217		736-0217		L-Wash. 3/8" Scr. Heavy Duty
14	710-0459		710-0459		710-0459		710-0459		Hex Scr. 3/8-24 x 1.50" Lg. H.T.
15	710-0117		710-0117		710-0117		710-0117		Hex Scr. 5/16-24 x 1.00" Lg. H.T.
16	None		None		10951		10951		Height Adjuster Ass'y.—Comp.—R.H.
17	736-0105		736-0105		736-0105		736-0105		Belleville Wash. .400" I.D. x .88" O.D.
18	9392-502		9392-501		9392-502		9392-501		Wheel Ass'y. Complete
19	07006		07006		07006		07006		Fortiflex Bearing
20	738-0213		738-0213		738-0102		738-0102		Axle Bolt
21	10769		10769		10769		10769-458		Blade Adapter Kit
22	11679-458		11679-458		11679-458		11679-458		Chute Deflector Ass'y.
23	732-0253		732-0253		732-0253		732-0253		Torsion Spring
24	None		None		710-0209		710-0209		Hex Sems Scr. 3/8-16 x .62" Lg.*
25	710-0289		710-0289		710-0289		710-0289		Hex Scr. 1/4-20 x .50" Lg.*
26	710-0567		710-0567		710-0567		710-0567		Hex Scr. 1/4-28 x .62" Lg.*
27	711-0555		711-0555		711-0555		711-0555		Pivot Pin
28	11130-458		11130-458		11130-458		11130-458		Adapter Plate
29	726-0106		726-0106		726-0106		726-0106		Palnut 1/4" Rod
30	714-0104		714-0104		714-0104		714-0104		Inter. Cotter Pin 5/16"
31	08388		08388		08388		08388		Handle Mount Bracket Ass'y.—R.H.
32	11196-458		11197-458		11193-458		11197-458		Rear Protective Shield Ass'y. Comp.
33	11615		11615		10970		10970		Lower Handle
34	746-0128		746-0128		746-0128		746-0128		Cable Clip
35	None		None		710-0227		710-0227		Hex Wash. Hd. AB-Tapp Scr. #8 x .38" Lg.
36	710-0405		710-0405		710-0405		710-0405		Curved Carriage Bolt 5/16-18 x 1.75" Lg.
37	None		None		11606-458		11606-458		Handle Panel
38	None		None		710-0148		710-0148		Hex Wash. Hd. F-Tapp Scr. #8-32 x .38" Lg.
39	See Ref. 47		See Ref. 47		11610		11610		Throttle Control Ass'y. Comp.
40	09966		09966		09966		09966		Hand Knob
41	11204		11204		10011		10011		Upper Handle
42	718-0144		718-0144		718-0144		718-0144		Grip
43	See Ref. 50		See Ref. 50		07470		07470		Throttle Control—Knob
44	See Ref. 51		See Ref. 51		11598		11598		Throttle Control Ass'y.
45	See Ref. 52		See Ref. 52		746-0232		746-0232		Conduit and Wire
46	712-0107		712-0107		None		None		Hex Center L-Nut 1/4-20 Thd.
47	746-0234		746-0234		See Ref. 39		See Ref. 39		Throttle Control Ass'y. Comp.
48	710-0606		710-0606		None		None		Hex Scr. 1/4-20 x 1.50" Lg.*
49	731-0180		731-0180		None		None		Plastic Label
50	07470		07470		See Ref. 43		See Ref. 43		Throttle Control—Knob
51	11598		11598		See Ref. 44		See Ref. 44		Throttle Control Ass'y.
52	746-0174		746-0174		See Ref. 45		See Ref. 45		Conduit and Wire
53	None		None		07520		07520		Knob—Height Adj.
54	None		None		10949		10949		Spring Lever Ass'y. w/Knob
55	None		None		736-0219		736-0219		Belleville Wash.
56	None		None		712-0116		712-0116		Elastic Stopnut
57	None		None		710-0209		710-0209		Hex Sems Scr. 3/8-16 x .62" Lg.*
58	None		None		10937		10937		Pivot Bar
59	None		None		10934		10934		Index Plate Ass'y.—R.H.
	None		None		10935		10935		Index Plate Ass'y.—L.H.
60	712-0107		712-0107		712-0107		712-0107		Hex Center L-Nut 1/4-20 Thd.
61	08405		08405		08405		08405		Reinforcement Plate
					731-0124		731-0124		Hub Cap (Not Shown)

*For faster service obtain standard nuts and bolts locally. If these items cannot be obtained locally, order by part number and size as shown on the parts list.

(458—Arctic Blue)

When ordering parts, if color or finish is important use the appropriate 9 color code shown above (e.g. Arctic Blue Finish—11410 (458).)

PARTS INFORMATION

DEFECTIVE OR MISSING PARTS must be reported to the factory immediately. Such claims must include your model number and date of purchase.

POWER EQUIPMENT PARTS AND SERVICE

Parts and service for all MTD manufactured power equipment are available through the authorized service firms listed below. All orders should specify the model number of your unit, parts numbers, description of parts and the quantity of each part required.

A 1 Engine & Mower Co.
327 East 9th Street
Salt Lake City, Utah 84102

Auto Electric & Carburetor Co.
2525 4th Avenue, S.
P. O. Box 1948
Birmingham, Alabama 35233

Automotive Equipment Service Co.
3117 Holmes Street
Kansas City, Missouri 64109

Bailey's Rebuild Inc.
1325 E. Madison Street
Seattle Washington 98102

Bleckie, Inc.
7900 Lorain Avenue
Cleveland, Ohio 44102

Brown Equipment Distributor Inc.
110 Beech Street
Corydon, Indiana 47112

Bullard Supply
2409 Commerce Street
Houston, Texas 77003

Catto & Putty, Inc.
P. O. Box 2408
510 Soledad Street
San Antonio, Texas 78205

Center Supply Company
6867 New Hampshire Avenue
Takoma Park, Maryland 20012

Dixie Sales Company
P. O. Box 1408
327 Battleground Avenue
Greensboro, North Carolina 27402

East Point Cycle & Key Shop
1617 Whiteway
East Point, Georgia 30044

Gamble Distributors
West End Avenue
Carthage, New York 13619

Garden Equipment Co., Inc.
6600 Cherry Avenue
Long Beach, California 90805

Gardenville Supply, Inc.
Pipersville, Pennsylvania 18947

Henry W. O'Neil & Assoc., Inc.
410 North Goodman Street
Rochester, New York 14609

Henzler, Inc.
2015 Lemay Ferry Road
St. Louis, Missouri 63125

Kenton Supply
8216 North Denver Avenue
Portland, Oregon 97217

Kimber's Inc.
115 W. Geddes St.
Syracuse, New York 13204

Marr Brothers
423 E. Jefferson
Dallas, Texas 75203

McClure Lawn & Garden Supply
1114 Lexington Avenue
Mansfield, Ohio 44907

Memphis Cycle & Supply Co.
421 Monroe Avenue
Memphis Tennessee 38103

Morton B. Collins Co.
300 Birnie Avenue
Springfield, Massachusetts 01107

Moz-All of Florida, Inc.
365 Greco Avenue
Coral Gables, Florida 33146

National Central
687 Seville Rd.
Wadsworth, Ohio 44281

BRIGGS & STRATTON, TECUMSEH AND PEERLESS PARTS AND SERVICE

Briggs & Stratton, Tecumseh and Peerless parts and service should be handled by your nearest authorized engine service firm. Check the yellow pages of your telephone directory under the listing *Engines - Gasoline*, Briggs & Stratton or Tecumseh Lauson - Power Products.

Parts & Sales Inc.
2101 Industrial Pkwy.
Elkhart, Indiana 46514

Power Equipment Distributor
36463 So. Gratiot Avenue
Mt. Clemens, Michigan 48043

Power Lawn & Garden Equip. Co.
2551-2571 J. F. Kennedy Road
Dubuque, Iowa 52001

Radco Distributors
2403 Market Street
P. O. Box 3216
Jacksonville, Florida 32206

Raub Supply Company
James & Mulberry Sts.
Lancaster, Pennsylvania 17604

Richmond Battery & Ignition
P. O. Box 25369 - 957 Myers St.
Richmond, Virginia 23260

R. P. W., Inc.
623 S. 16th Street
Omaha, Nebraska 68102

Smith Hardware Company
515 N. George Street
Goldsboro, North Carolina 27530

South Denver Lawn Equip. Co.
527 West Evans
Denver, Colorado 80223

Suhren Engine
8330 Earhart Blvd.
New Orleans, Louisiana 70118

Sutton's Lawn Mower Shop
Route 4, Box 343
North Little Rock, Arkansas 72117

Warner Equipment
7520 Lyndale Avenue, So.
Minneapolis, Minnesota 55423

Woodson Sales & Service
1702 North Sylvania
Ft. Worth, Texas 76111

WARRANTY PARTS AND SERVICE POLICY

The purpose of warranty is to protect the customer from defects in workmanship and materials, defects which are NOT detected at the time of manufacture. It does not provide for the unlimited and unrestricted replacement of parts. Use and maintenance are the responsibility of the customer. The manufacturer cannot assume responsibility for conditions over which it has no control. Simply put, if it's the manufacturer's fault, it's the manufacturer's responsibility; if it's the customer's fault, it's the customer's responsibility.

CLAIMS AGAINST THE MANUFACTURER'S WARRANTY INCLUDES

1. Replacement of Missing Parts on new equipment.
2. Replacement of Defective Parts within the warranty period.
3. Repair of Defects within the warranty period.

All claims MUST be substantiated with the following information:

1. Model Number of unit involved.
2. Date unit was purchased or first put into service.
3. Date of failure.
4. Nature of failure.