

Owner's Operating Service Instruction Manual

10¢

Model Nos.
115-060A
115-070A

- ASSEMBLY
- OPERATION
- REPAIR PARTS

20" ROTARY MOWER

WARRANTY

For one year from date of purchase, MTD Products Inc will replace for the original purchaser, free of charge, F.O.B. factory or authorized service firm, any part or parts found to be defective in material or workmanship. All transportation charges on parts submitted for replacement under this warranty must be paid by the purchaser. This warranty does not include replacement of parts which become inoperative through misuse, excessive use, accident, neglect, improper maintenance or alterations by unauthorized persons. This warranty does not include the engine, motor, battery, battery charger or any component parts thereof. For service on these units, refer to the applicable manufacturer's warranty.

The above warranty will apply only to the original owner and will be effective only if the warranty card has been properly processed. It will not apply where the unit has been used commercially.

Warranty service is available through your local authorized service dealer or distributor. **UNDER NO CIRCUMSTANCES WILL THE RETURN OF A COMPLETE UNIT BE ACCEPTED BY THE FACTORY UNLESS PRIOR WRITTEN PERMISSION HAS BEEN EXTENDED.**

I M P O R T A N T

SAFE OPERATION PRACTICES FOR WALK-BEHIND MOWERS

TRAINING

1. Read the Operating and Service Instruction Manual carefully. Be thoroughly familiar with the controls and the proper use of the equipment.
2. Never allow children to operate a power mower.
3. Keep the area of operation clear of all persons, particularly small children and pets.

PREPARATION

1. Thoroughly inspect the area where the equipment is to be used and remove all stones, sticks, wire, bones and other foreign objects.
2. Do not operate equipment when barefoot or wearing open sandals. Always wear substantial footwear.
3. Check the fuel before starting the engine. Do not fill the gasoline tank indoors, when the engine is running, or while the engine is still hot. Wipe off any spilled gasoline before starting the engine.
4. Disengage the self-propelled mechanism or drive clutch on units so equipped before starting the engine.
5. Never attempt to make a wheel adjustment while the engine is running.
6. Mow only in daylight or in good artificial light.
7. Never operate the equipment in wet grass. Always be sure of your footing; keep a firm hold on the handle and walk, never run.

OPERATION

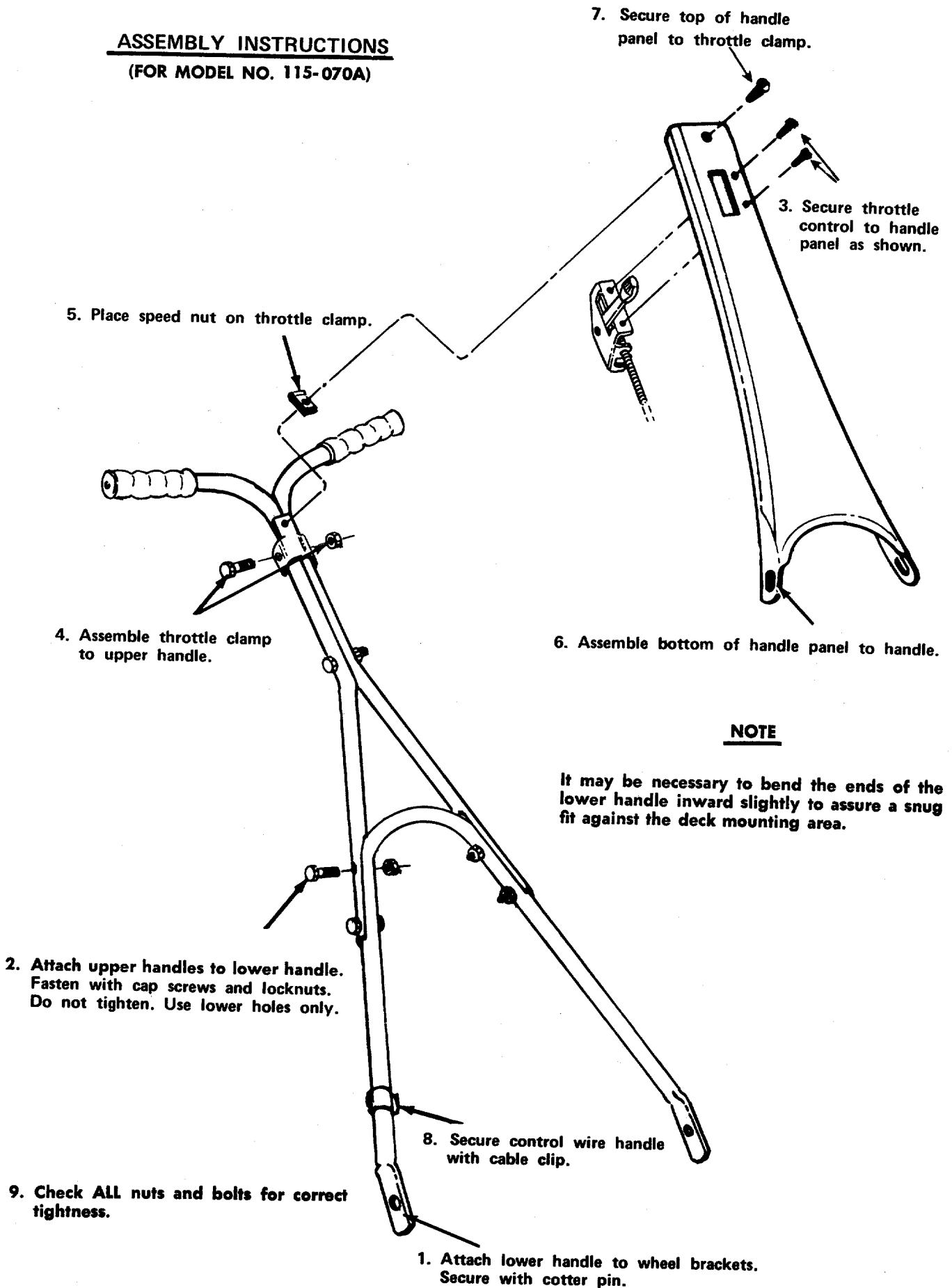
1. Do not change the engine governor settings or overspeed the engine.
2. Do not put hands or feet near or under rotating parts. Keep clear of the discharge opening at all times.
3. Stop the blade(s) when crossing gravel drive, walks or roads.
4. After striking a foreign object, stop the engine, remove the wire from the spark plug, thoroughly inspect the mower for any damage, and repair the damage before restarting and operating the mower.

5. If the equipment should start to vibrate abnormally, stop the engine and check immediately for the cause. Vibration is generally a warning of trouble.
6. Stop the engine whenever you leave the equipment, before cleaning the mower housing, and when making any repairs or inspections.
7. When cleaning, repairing or inspecting, make certain the blade and all moving parts have stopped. Disconnect the spark plug wire, and keep the wire away from the plug to prevent accidental starting.
8. Do not run the engine indoors.
9. Shut the engine off and wait until the blade comes to a complete stop before removing the grass catcher or unclogging chute.
10. Mow across the face of slopes, never up-and-down. Exercise extreme caution when changing direction on slopes. Do not mow excessively steep slopes.
11. Always disconnect electric mowers (line operated) before cleaning, repairing or adjusting.
12. Never operate mower without proper guards, plates or other safety protective devices in place.
13. Keep washout ports and other mower-housing service openings closed when mowing.

MAINTENANCE AND STORAGE

1. Check the blade and engine mounting bolts at frequent intervals for proper tightness.
2. Keep all nuts, bolts, and screws tight to be sure the equipment is in safe working condition.
3. Never store the equipment with gasoline in the tank inside of a building where fumes may reach an open flame or spark. Allow the engine to cool before storing in any enclosure.
4. To reduce fire hazard, keep the engine free of grass, leaves, or excessive grease.
5. Check the grass catcher bag frequently for wear or deterioration. Replace with new bag for safety protection.

ASSEMBLY INSTRUCTIONS
(FOR MODEL NO. 115-070A)



ASSEMBLY (FOR MODEL NO. 115-060A)

Your new mower is shipped preassembled with the exception of the handle.

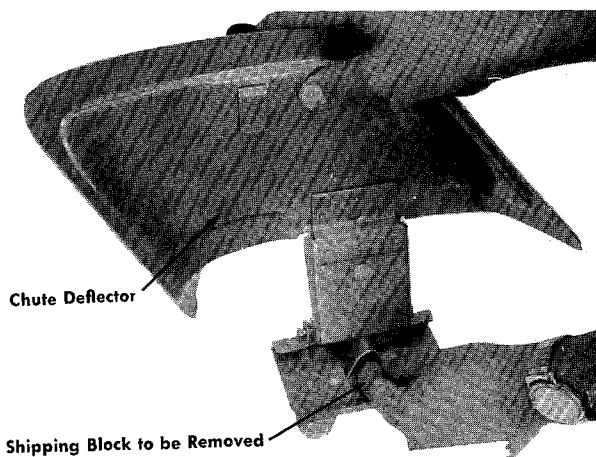
1. Remove lawn mower and all parts from the carton. Make certain that all loose parts and literature have been removed before the carton is discarded.
2. Extend throttle control assembly which is attached to engine at the rear of the mower and place on the floor. CAUTION: Do not bend or kink control wires.
3. Assemble the upper and lower handle parts with cap screws and locknuts provided in parts bag. Use the longer (yellow) screw to attach throttle control.
4. Holes at the bottom of the lower handle are to be fitted over studs located in front of each rear wheel mounting position.
5. Secure throttle control wire to lower right handle with cable clips.
6. Check ALL nuts and bolts for correct tightness.

NOTE

It may be necessary to bend the ends of the lower handle inward slightly to assure a snug fit against the deck mounting area.

CAUTION

Please note that the chute deflector on your mower is in an upright position. It is held in that position by a shipping block. This block is used for shipping purposes only. It must be removed and discarded before your mower is put into operation.



OPERATION

NOTE

For shipping purposes your mower is set with the wheels in a low cutting height position. For best results raise the cutting position until it is determined which height is best for your lawn. See adjustments.

1. Service engine with gas and oil. See Engine Manual packed with lawn mower for complete instructions for the care and maintenance of engine. **Read Directions carefully.**
2. When ready to start engine, place throttle control lever, on handle, in "START" position and start engine in accordance with instructions in Engine Manual. After engine starts, move throttle control lever, on handle, to desired engine speed. The engine is stopped by placing control lever on handle in the "STOP" position.
3. Be sure that lawn is clear of stones, sticks, wire, or other objects which could damage lawn mower or engine. For best results and to insure more even grass distribution, do not mow when lawn is excessively wet.

ADJUSTMENTS

CAUTION

Do not at any time make any adjustment to lawn mower without first stopping engine and disconnecting spark plug wire.

STANDARD CUTTING HEIGHT

Adjustment may be made by removing and moving wheel studs to desired position. Cutting heights will be raised as wheel studs are moved to a lower hole and lowered as wheel studs are moved to a higher hole in the deck. All wheel studs must be mounted in a relative position to the deck.

EASY CUTTING HEIGHT

An adjusting plate and thumb lever at each wheel position provides cutting height adjustment. Each adjusting plate has five holes. Height of cut will be changed when the thumb lever is moved from one hole to another. Simply depress thumb lever towards wheel and move wheel and lever assembly to desired position. All wheels must be positioned in relative height of cut positions.

THROTTLE

If adjustment becomes necessary, the throttle control wire assembly can be reset as follows:

1. Loosen, but do not remove, screw securing throttle control wire assembly at engine.
2. Move throttle control lever on handle to "FAST" position.
3. Move lever, to which control wire is fastened at engine, to full open position and retighten screw to secure throttle control wire assembly.

LUBRICATION

IMPORTANT: Always stop engine and disconnect spark plug wire before cleaning, lubricating or doing any kind of work on lawn mower.

Protective Shield — The pivot points on the protective shield should be lubricated periodically with light oil to prevent any rust or binding.

Chute Deflector — The torsion spring and pivot point should be lubricated periodically with light oil to prevent any rust or binding. Deflector must work freely.

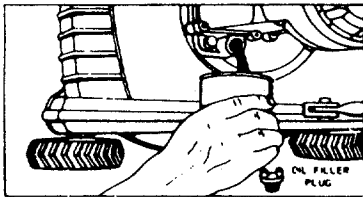
Wheels—Wheel bearings are of self-lubricating Fortiflex. They require no lubrication. If your unit is provided with optional ball bearing wheels, lubricate at least once a season with light oil.

Throttle — Periodically lubricate throttle control lever and throttle wire assembly with a few drops of light oil (SAE No. 10 or 20) for ease of operation.

Engine — Follow engine manual for lubrication instructions.

4-CYCLE ENGINE

Change oil after first 5 hours of operation, while engine is warm. Thereafter, change oil every 25 hours of operation while engine is warm. Engine may be drained through oil filler opening. Be sure to replace drain plug and oil filler cap.



MAINTENANCE

CUTTING BLADE

The blade may easily be removed for grinding or replacement as follows:

1. Remove bolt and lock washer holding blade and blade adapter to engine crankshaft.

2. Remove blade and blade adapter from engine crankshaft.
3. Remove two bolts, lock washers and nuts holding blade to blade adapter (if necessary).

When sharpening blade, follow the original angle of grind as a guide. It is extremely important that each cutting edge receives an equal amount of grinding to prevent an unbalanced blade. An unbalanced blade will cause excessive vibration when rotating at high speeds and may cause damage to the mower.

NOTE

To insure safe operation of your unit, ALL nuts and bolts must be checked periodically for correct tightness.

Deck — The underside of mower deck should be cleaned after each period of use as grass clippings, leaves, dirt and other matter will accumulate. This accumulation of grass clippings, etc., is undesirable as it will invite rust and corrosion and may cause an uneven discharge of grass clippings at the next cutting. The deck may be cleaned by tilting the mower forward or on its side and scraping clean with a suitable tool or by washing with a stream of water from a garden hose.

CAUTION: Do not direct the stream of water at a hot engine as damage to the engine may result.

STORAGE — The following steps should be taken to prepare lawn mower for storage.

1. Clean and lubricate mower thoroughly as described in the preceding instructions.
2. Refer to Engine Manual for correct engine storage instructions.
3. Coat mower's cutting blade with chassis grease to prevent rusting.
4. Place blocks under deck to raise tires clear of floor.
5. Store mower in a dry, clean area.

USING YOUR ROTARY MOWER

For the best results do not cut wet grass because it tends to stick to the underside of the mower, thus preventing proper discharge of grass clippings. If wet grass must be cut, reduce walking speed to help distribute the clippings more effectively.

New grass should be treated as wet grass, otherwise a normal walking speed is about the right pace for efficient mowing.

The best mowing pattern is one that allows the clippings to discharge towards the uncut part of the lawn. This permits recutting of the clippings to further pulverize them. When cutting high weeds, discharge towards cut portion then recut at right angles to first direction.

Lawn should be cut in the fall as long as there is growth.

NOTE

The manufacturer DOES NOT recommend the use of any accessory on this rotary mower other than those manufactured by MTD Products Inc.

GRASS CATCHER Model No. 195-003A is available as optional equipment for the mowers shown in this manual.

WARNING

1. The mower should not be operated without the entire grass catcher or chute deflector in place.
2. The mower should not be operated without the protective shield on the rear of the deck in place.

NOTE:

Under normal usage bag material is subject to wear and should be checked periodically. Be sure any replacement bag complies with the mower manufacturer's recommendations.

For replacement bags, use only factory authorized replacement bag No. 764-0119.

★ IMPORTANT

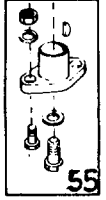
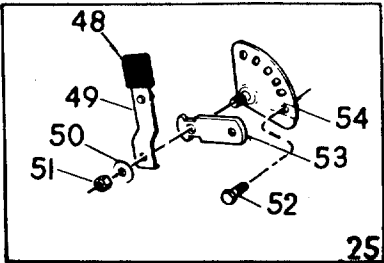
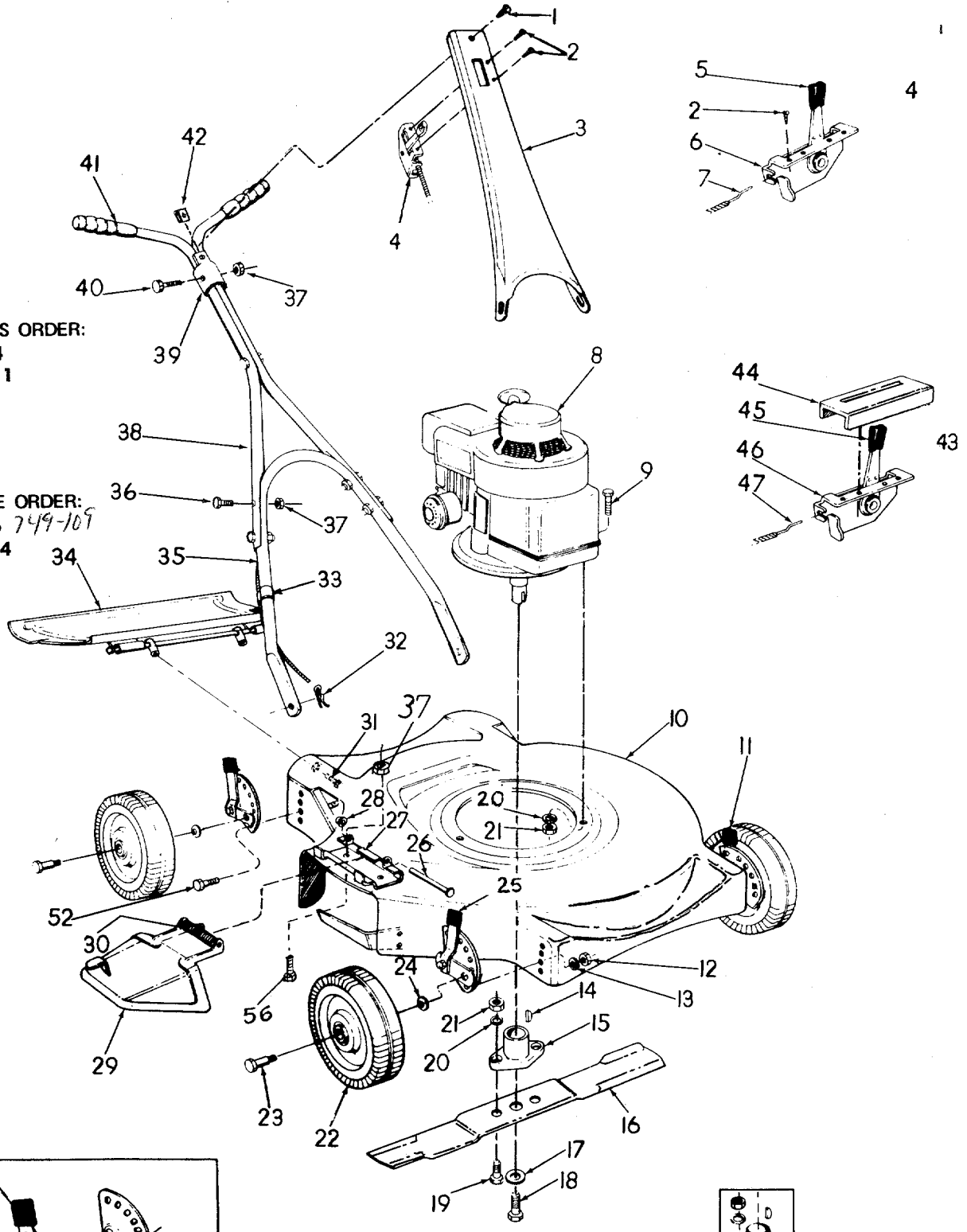
After striking a foreign object, stop the engine, remove wire from spark plug. Thoroughly inspect the mower for any damage, and repair the damage before restarting and operating the mower.

115-060A 115-070A

IF YOU WRITE TO US ABOUT THIS ARTICLE
OR IF YOU ORDER REPLACEMENT PARTS AL-
WAYS MENTION THIS MODEL & SERIAL NO
MODEL

FOR UPPER HANDLES ORDER:
CHROME - 09354
WHITE - 749-0111

FOR LOWER HANDLE ORDER:
CHROME - 09356 749-101
WHITE - 749-0114



NOTE: Easy Height Adjusters may or may not be used on your unit. They are standard only on Model No. 115-070A.

PARTS LIST FOR MOWER MODELS 115-060A AND 115-070A

Ref. No.	Part No. 115-060A	Color Code	Part No. 115-070A	Color Code	Description	New Part
1	None		710-0192		Truss Hd. Mach. Scr. No. 10-24 x .38" Lg.	
2	None		710-0227		Slotted Hex Hd. Self Extr. Scr. 8' x .50" Lg.*	
3	None		11604—463		Handle Panel	
4	None		11597		Throttle Control Assembly—Complete	
5	None		07470		Throttle Control—Knob	
6	None		11598		Throttle Control Assembly	
7	None		746-0229		Conduit and Wire	
8	—		—		Engine	
9	710-0158		710-0158		Hex Hd. Cap Scr. 5/16-24 x 1¼" Lg.*	
10	11904—474		11904—463		Deck Assembly—Complete	
11	None		10950		Height Adjuster Assembly—Complete L.H.	
12	712-0798		712-0798		Hex Nut ¾-16 Thd.*	
13	736-0169		736-0169		Spring Lockwasher ¾" Scr.*	
14	714-0365		714-0365		#6 Hi-Pro-Key 5/32 x ⅝" Dia.	
15	10769		10769		Blade Adapter Kit	
16	742-0123		742-0123		Blade 20 inch	
17	736-0217		736-0217		Spring Lockwasher ¾" Scr. Heavy Duty	
18	710-0459		710-0459		Hex Hd. Cap Scr. ¾-24 x 1½" Lg. Heat Treated	
19	710-0117		710-0117		Hex Hd. Cap Scr. 5/16-24x1" Lg. Heat Treated	
20	736-0119		736-0119		Spring Lockwasher 5/16" Scr.*	
21	712-0123		712-0123		Hex Nut 5/16-24 Thd.*	
22	734-0480		734-0480		Wheel Assembly—Complete	
23	738-0213		738-0102		Axle Bolt	
24	736-0105		736-0105		Belleville Washer .400" I.D. x .88" O.D. x .060	
25	None		10951		Height Adjuster Assembly—Complete R.H.	
26	711-0555		711-0555		Pivot Pin	
27	11130—474		11130—463		Adapter Plate	
28	726-0106		726-0106		Push-on Flange Palnut	
29	11681—474		11681—463		Chute Deflector Assembly	
30	732-0253		732-0253		Torsion Spring	
31	710-0567		710-0567		Hex Scr. ¼-28 x .62" Lg. x .62" Lg.	
32	714-0104		714-0104		Internal Cotter Pin 5/16" Dia.	
33	746-0128		746-0128		Cable Clip for ⅞" Tubing	
34	11190—474		11190—463		Rear Protective Shield Assembly	
35	09356 749-109		09356		Lower Handle	
36	710-0606		710-0606		Hex Scr. ¼-20 x 1.50" Lg.*	
37	712-0107		712-0107		Hex Center Lock Nut ¼-20 Thd.	
38	09354		09354		Upper Handle	
39	None		07861		Control Clamp	
40	710-0136		710-0136		Hex Scr. ¼-20 x 1.75" Lg.*	
41	720-0157		720-0157		Grip	
42	None		712-0526		Speed Nut	
43	11609		None		Throttle Control Assembly—Complete	
44	731-0180		None		Plastic Label—Black	
45	07470		None		Throttle Control—Knob	
46	11598		None		Throttle Control Assembly	
47	746-0229		None		Conduit and Wire	
48	None		07520		Height Adjuster—Knob—Red	
49	None		10949		Spring Lever Assembly w/Knob	
50	None		736-0219		Belleville Washer .400 I.D. x 1.13 O.D.	
51	None		712-0116		Hex Inserted Locknut ¾-24 Thd.	
52	None		710-0209		Hex Sems Scr. ¾-16 x .62" Lg.	
53	None		10937		Pivot Bar	
54	None		10934		Index Plate Assembly—R.H.	
	None		10935		Index Plate Assembly—L.H.	
55	10769		10769		Blade Adapter Kit	
56	710-0289		710-0289		Hex Scr. ¼-20 x .50" Lg.*	

(463 — Top Flite Red)

When ordering parts, if color or finish is important use the appropriate color code shown above (e.g. — Top Flite Red — 11904(463)).

*For faster service obtain standard nuts and bolts locally. If these items cannot be obtained locally, order by part number and size as shown on the parts list.

NOTE: This instruction manual covers various models and all accessories shown do not necessarily apply to your model mower.

The engine is not under warranty by the mower manufacturer. If repairs or service is needed on the engine, please contact your nearest authorized engine service outlet. Check the "Yellow Pages" of your telephone book under "Engines — Gasoline."



PARTS INFORMATION

DEFECTIVE OR MISSING PARTS must be reported to the factory immediately. Such claims must include your model number and date of purchase.

POWER EQUIPMENT PARTS AND SERVICE

Parts and service for all MTD manufactured power equipment are available through the authorized service firms listed below. All orders should specify the model number of your unit, parts numbers, description of parts and the quantity of each part required.

A 1 Engine & Mower Co.

327 East 9th Street
Salt Lake City, Utah 84102

Auto Electric & Carburetor Co.

2525 4th Avenue, S.
P. O. Box 1948
Birmingham, Alabama 35233

Automotive Equipment Service Co.

3117 Holmes Street
Kansas City, Missouri 64109

Bailey's Rebuild Inc.

1325 E. Madison Street
Seattle Washington 98102

Bleckrie, Inc.

7900 Lorain Avenue
Cleveland, Ohio 44102

Brown Equipment Distributor Inc.

110 Beech Street
Corydon, Indiana 47112

Bullard Supply

2409 Commerce Street
Houston, Texas 77003

Catto & Putty, Inc.

P. O. Box 2408
510 Soledad Street
San Antonio, Texas 78205

Center Supply Company

6867 New Hampshire Avenue
Takoma Park, Maryland 20012

Dixie Sales Company

P. O. Box 1408
327 Battleground Avenue
Greensboro, North Carolina 27402

East Point Cycle & Key Shop

1617 Whiteway
East Point, Georgia 30044

Gamble Distributors

West End Avenue
Carthage, New York 13619

Garden Equipment Co., Inc.

6600 Cherry Avenue
Long Beach, California 90805

Gardenville Supply, Inc.

Pipersville, Pennsylvania 18947

Henry W. O'Neil & Assoc., Inc.

410 North Goodman Street
Rochester, New York 14609

Henzler, Inc.

2015 Lemay Ferry Road
St. Louis, Missouri 63125

Kenton Supply

8216 North Denver Avenue
Portland, Oregon 97217

Kimber's Inc.

115 W. Geddes St.
Syracuse, New York 13204

Marr Brothers

423 E. Jefferson
Dallas, Texas 75203

McClure Lawn & Garden Supply

1114 Lexington Avenue
Mansfield, Ohio 44907

Memphis Cycle & Supply Co.

421 Monroe Avenue
Memphis Tennessee 38103

Morton B. Collins Co.

300 Birnie Avenue
Springfield, Massachusetts 01107

Mox-All of Florida, Inc.

365 Greco Avenue
Coral Gables, Florida 33146

National Central

687 Seville Rd.
Wadsworth, Ohio 44281

Parts & Sales Inc.

2101 Industrial Pkwy.
Elkhart, Indiana 46514

Power Equipment Distributor

36463 So. Gratiot Avenue
Mt. Clemens, Michigan 48043

Power Lawn & Garden Equip. Co.

2551-2571 J. F. Kennedy Road
Dubuque, Iowa 52001

Radco Distributors

2403 Market Street
P. O. Box 3216
Jacksonville, Florida 32204

Raub Supply Company

James & Mulberry Sts.
Lancaster, Pennsylvania 17604

Richmond Battery & Ignition

P. O. Box 25369 - 957 Myers St.
Richmond, Virginia 23260

R. P. W., Inc.

623 S. 16th Street
Omaha, Nebraska 68102

Smith Hardware Company

515 N. George Street
Goldsboro, North Carolina 27530

South Denver Lawn Equip. Co.

527 West Evans
Denver, Colorado 80223

Suhren Engine

8330 Earhart Blvd.
New Orleans, Louisiana 70118

Sutton's Lawn Mower Shop

Route 4, Box 343
North Little Rock, Arkansas 72117

Warner Equipment

7520 Lyndale Avenue, So.
Minneapolis, Minnesota 55423

Woodson Sales & Service

1702 North Sylvania
Ft. Worth, Texas 76111

WARRANTY PARTS AND SERVICE POLICY

The purpose of warranty is to protect the customer from defects in workmanship and materials, defects which are NOT detected at the time of manufacture. It does not provide for the unlimited and unrestricted replacement of parts. Use and maintenance are the responsibility of the customer. The manufacturer cannot assume responsibility for conditions over which it has no control. Simply put, if it's the manufacturer's fault, it's the manufacturer's responsibility; if it's the customer's fault, it's the customer's responsibility.

CLAIMS AGAINST THE MANUFACTURER'S WARRANTY INCLUDES

1. Replacement of Missing Parts on new equipment.
2. Replacement of Defective Parts within the warranty period.
3. Repair of Defects within the warranty period.

All claims MUST be substantiated with the following information:

1. Model Number of unit involved.
2. Date unit was purchased or first put into service.
3. Date of failure.
4. Nature of failure.