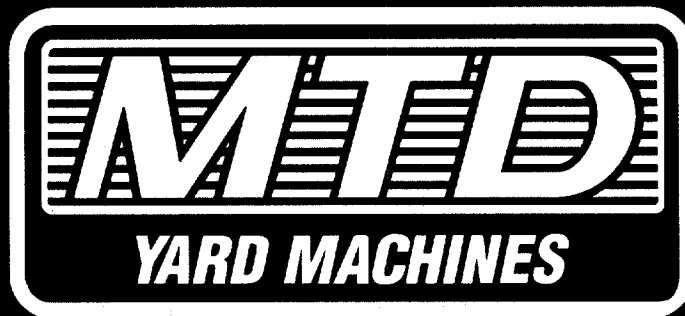


# ILLUSTRATED PARTS

AMERICAN  AMERICAN  
M A D E O W N E D  
OUTDOOR POWER EQUIPMENT

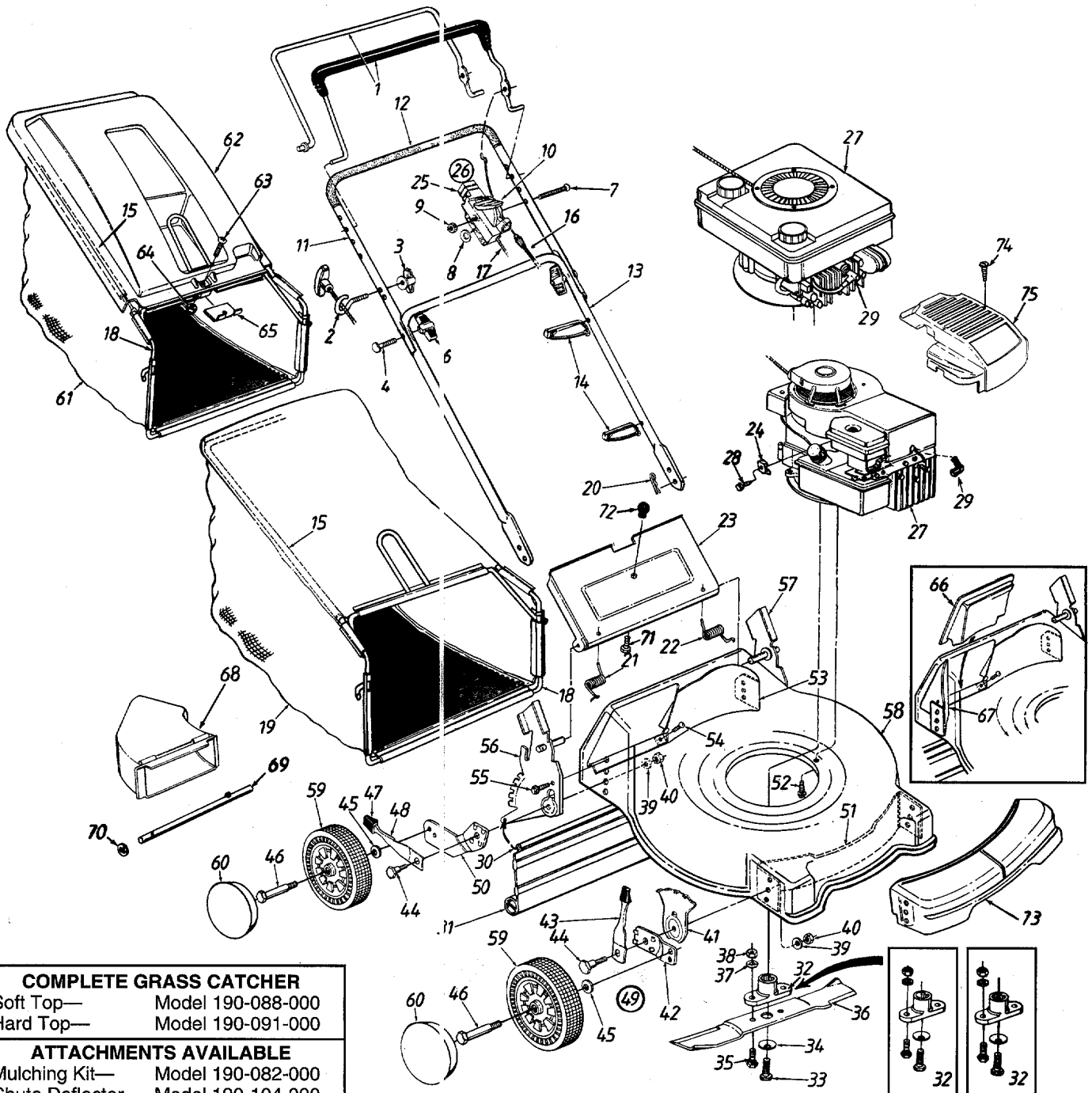


## 1994



## PUSH MOWERS

Model Number	Pages
114-410A000 thru 114-428G000.....	2, 3
114-502A000 thru 114-508H000.....	4, 5
114-515A000 thru 114-518D000.....	6, 7

# Models 410 thru 428



<b>COMPLETE GRASS CATCHER</b>	
Soft Top—	Model 190-088-000
Hard Top—	Model 190-091-000
<b>ATTACHMENTS AVAILABLE</b>	
Mulching Kit—	Model 190-082-000
Chute Deflector—	Model 190-104-000

**WHEEL CHART	Bar Tread 	"S" Wave Tread 
Wheel w/o Bearings	734-1781 (No Hub Cap) 634-0020 (Uses Hub Cap)	
Wheel with Ball Brgs.† (Brg. Part No. 741-0484)		734-1790

**\*\*Optional Hub Caps**

Description	Part No.
Gray (5-1/2" Dia.)	731-0981A
Yellow (5-1/2" Dia.)	731-1426
Gray (3-1/2" Dia.)	720-0249

†Require Wave Washer 736-0504

# Models 410 thru 428

## PARTS LIST FOR MODELS 410 THRU 428 ROTARY MOWERS

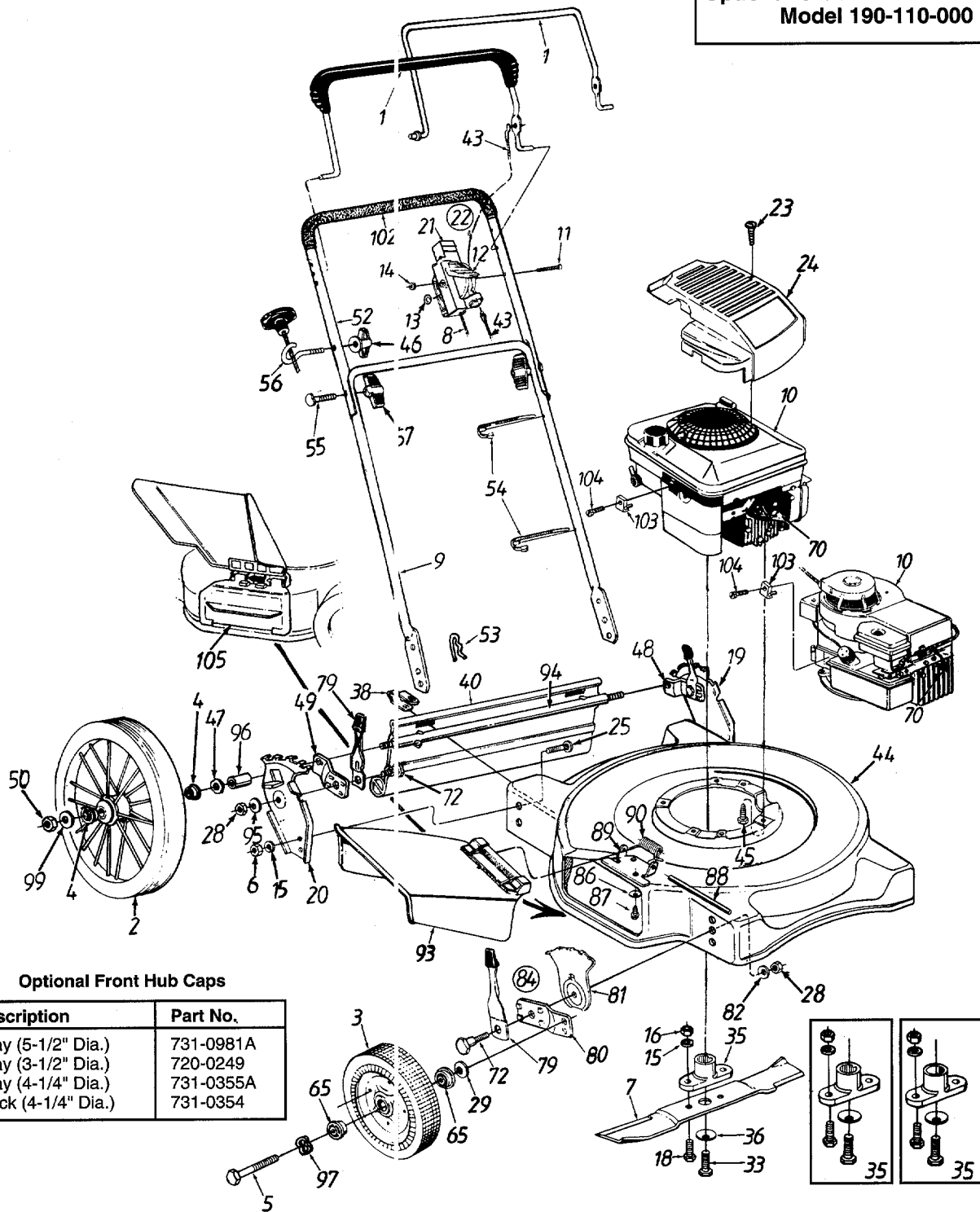
REF. NO.	PART NO.	CODE	DESCRIPTION	REF. NO.	PART NO.	CODE	DESCRIPTION
1	747-0824	N	Control Handle Ass'y. (Std.)	35	710-1055		Hex Bolt 3/8-24 x 1" Lg.
	647-0004		Control Handle Ass'y. (Deluxe)	36	742-0621		21" Blade
2	710-1205		Rope Guide		742-0721		21" Mulching Blade (Optional)
3	720-0279		Handle Knob 1/4-20 Thd.	37	736-0169		L-Wash. 3/8" I.D.*
4	710-1174		Curved Hd. Bolt 5/16-18 x 2" Lg.	38	712-0241		Hex Nut 3/8-24 Thd.
6	720-0276		Hand Knob	39	736-0356		Bell-Wash. .39" I.D. x 1.38"
7	710-0605		Oval C-Sunk Mach. Scr.	40	712-0798		Hex Nut 3/8-16 Thd.*
8	736-0501		Spr. Wash. .66" I.D.	41	15261A		Height Adj. Plate
9	712-0324		Hex L-Nut 1/4-20 Thd.	42	15262B		Pivot Bar
10	746-0876		Throttle Lever	43	14832		Spring Lever Ass'y. w/Knob
11	749-0538C		Upper Handle	44	738-0507B		Shld. Bolt .5" Dia. x .357"
12	720-0226		Foam Grip (Optional)	45	736-0105		Bell-Wash. .38" I.D. x .88" O.D.
13	749-0928		Lower Handle	46	738-0102		Axle Bolt
14	726-0240		Cable Tie	47	720-0190		Spring Lever Knob
15	764-0310		Rear Catcher Frame	48	732-0417A		Spring Lever
16	746-0550		Control Cable—39" (410, 412, 420, 422)	49	14578		Height Adj. Ass'y. Comp.—R.H.
	746-0737	Control Cable—51" (411, 413, 415, 423, 425, 427)	50	14765		Height Adj. Ass'y. Comp.—L.H. (Not Shown)	
	746-0553	Control Cable—36" (416, 418, 426, 428)	51	782-5002		Pivot Bar <i>RH 14765 - LH</i>	
17	746-0842	Throttle Control Wire—51" (410, 412, 420, 422)	52	710-0654		Front Baffle	
	746-0847	Throttle Control Wire—42" (411A, 413, 415, 423, 425, 427A)	53	782-5003		Hex L-Wash. Hd. Scr. 3/8-16 x 1" Lg.	
	746-0843	Throttle Control Wire—55" (416, 418, 426, 427D, 428)	54	710-1017		Rear Baffle	
18	764-0311	Front Catcher Frame	55	710-0892		Torx Mach. AB-Tap Scr. 1/4 x .62" Lg.	
19	764-0309	Grass Bag	56	682-0516		Hex L-Wash. Hd. AB-Tap Scr. 1/4 x .62" Lg.	
20	714-0104	Int. Cotter Pin 5/16" Dia.	57	682-0515		Handle Brkt. Ass'y.—R.H.	
21	732-0678	Door Spring—R.H.	58	782-0310		Handle Brkt. Ass'y.—L.H.	
22	732-0677	Door Spring—L.H.	59	**		21" R.D. Deck	
23	782-7000	Rear Discharge Door	60	**		Wheel Ass'y. Comp.	
24	751B213146	Cable Clamp (B&S)	61	764-0433		Hub Cap	
25	646-0875	Throttle Body	62	731-1322		Grass Bag††	
26	811-00185	Throttle Box Comp. (Incl. Ref. 7, 8, 9, 10, 25)	63	710-0286		Hard Top Cover††	
27	—	Engine	64	712-0324		Pan Hd. Mach. Scr. 1/4-20 x .5" Lg.††	
28	710-1237	Hex Wash. Hd. Scr. #10-32 x .62" Lg. (B&S)	65	782-9011		Hex Nylon L-Nut 1/4-20 Thd.††	
29	735-0639	Spark Plug Boot (Optional)	66	782-5007		Mounting Bracket††	
30	732-0700	Wire Rod	67	782-5004		Mulching Baffle Plug (Optional)	
31	731-1236	Rear Flap	68	731-1405		Mulching Baffle—R.R. (Optional)	
32	753-0484	Blade Adapter Kit (Keyed)	69	711-0996		Deflector (Optional)	
	753-0485	Blade Adapter Kit (Splined)	70	726-0201		Rod (Optional)	
33	710-1044	Hex Bolt 3/8-24 x 1.5" Lg. (Used w/Keyed Adapter)	71	710-0192		Push Speed Nut (Optional)	
	710-0757	Hex Bolt 7/16-20 x 1.5" Lg. (Used w/Splined Adapter)	72	720-0275		Truss Scr. #10-24 x .38" Lg.	
34	736-0452	Bell-Wash. .39" I.D. (Used w/Keyed Adapter)	73	731-1506	N	Knob	
	736-0453	Bell-Wash. .46" I.D. (Used w/Splined Adapter)	74	710-1256	N	Deck Shroud (Optional)†	
			75	751B281191	N	Hi-Lo Scr. #10 x 1.25" Lg.	
				751B281295	N	XTE Black Shroud (Optional)	
				731-1402	N	XTE Red Shroud (Optional)	
				731-1396	N	Yellow Shroud (Optional)	
					N	Black Shroud (Optional)	

†Models 410 thru 418 only.

††Models 420 thru 428 only.

# Models 502 thru 508

Optional Grass Catcher Available  
Model 190-110-000



### Optional Front Hub Caps




Description	Part No.
Gray (5-1/2" Dia.)	731-0981A
Gray (3-1/2" Dia.)	720-0249
Gray (4-1/4" Dia.)	731-0355A
Black (4-1/4" Dia.)	731-0354

# Models 502 thru 508

## PARTS LIST FOR MODELS 502 THRU 508 ROTARY MOWERS

REF. NO.	PART NO.	CODE	DESCRIPTION	REF. NO.	PART NO.	CODE	DESCRIPTION
1	747-0824		Control Handle (Std.)	44	682-0221		22" Deck Ass'y.
	647-0004		Control Handle (Deluxe)	45	710-0654A		Hex Wash. Hd. TT-Tap Scr.
2	734-1661		16" Wheel Ass'y.				3/8-16 x 1.00" Lg.
3	**		Front Wheel Ass'y.	46	720-0297	N	Handle Knob 1/4-20 Thd.
4	741-0484		Bearing 1/2" I.D.	47	736-0504		Wave Wash. .51" I.D.
5	738-0102		Front Axle Bolt	48	782-0519		Small Pivot Bar—L.H.
6	712-0328		Hex Nut 3/8-24 Thd. (Gr. 8)	49	782-0520		Small Pivot Bar—R.H.
7	742-0622		22" Blade	50	712-3020		Hex Jam Nut 3/8-16 Thd.
	742-0722		22" Mulching Blade (Optional)	52	749-0538C		Upper Handle
8	746-0842		Throttle Control Wire—51" (B&S)	53	714-0104		Intern. Cot. Pin 5/16" Dia.
	746-0847		Throttle Control Wire—42" (Tec.)	54	726-0240		Cable Tie
9	749-0928		Lower Handle	55	710-1174		Curved Hd. Bolt 5/16-18 x 2" Lg.
10	—		Engine	56	710-1205		Rope Guide
11	710-0605		Oval C-Sunk Mach. Scr.	57	720-0276		Hand Knob
12	746-0876		Throttle Lever	65	**		Bearing
13	736-0501		Spr. Wash. .66" I.D.	70	735-0639		Spark Plug Boot (Optional)
14	712-0324		Hex L-Nut 1/4-20 Thd.	72	738-0507B		Shoulder Bolt .50" Dia.
15	736-0169		L-Wash. 3/8" I.D.*	79	14832		Spring Lever Ass'y. w/Knob
16	712-0241		Hex Nut 3/8-24 Thd.	80	15262B		Pivot Bar
17	712-0431		Flange L-Nut 3/8-18 Thd.	81	15261A		Height Adj. Plate
18	710-1055		Hex Bolt 3/8-24 x 1.0" Lg.	82	736-0356		Bell-Wash. .39" I.D. x 1.38"
19	682-0517		Handle Brkt. Ass'y.—L.H.	84	14578		Front Height Adj. Ass'y.
20	682-0518		Handle Brkt. Ass'y.—R.H.				Comp.—R.H.
21	646-0875		Throttle Body		14579		Front Height Adj. Ass'y.
22	811-00185		Throttle Box Comp. (Incl. Ref.				Comp.—L.H. (Not Shown)
			11, 12, 13, 14, 21)	86	736-0270		Bell-Wash. .285" I.D. x .75"
23	710-1256		Hi-Lo Scr. #10 x 1.25" Lg.	87	710-0599		Hex Wash. Hd. Tap Scr.
24	751B281191	N	XTE Black Shroud (Optional)				1/4-20 x .5" Lg.
	751B281295	N	XTE Red Shroud (Optional)	88	747-0710		Hinge Pin
	731-1396	N	Black Shroud (Optional)	89	17032		Adapter Plate
25	710-0793		Ribbed Neck Bolt 3/8-24 x .80"	90	732-0593		Torsion Spring
28	712-0798		Hex Nut 3/8-16 Thd.*	93	731-1034		Chute Deflector Ass'y. Comp.
29	736-0105		Bell-Wash. .400" I.D. x .88"	94	738-0878		Rear Axle
33	710-1044		Hex Bolt 3/8-24 x 1.5" Lg.	95	736-0331		Bell-Wash. .39" I.D. x 1.13"
			(Used w/Keyed Adapter)	96	750-0151		Spacer .55" I.D. x .75"
	710-0757		Hex Bolt 7/16-20 x 1.5" Lg.	97	736-0504		Wave Washer .51" I.D.
			(Used w/Splined Adapter)				(Used w/Ball Brg. Wheels)
35	753-0484		Blade Adapter Kit (Keyed)	99	736-3050		Fl-Wash. .406" I.D. x .81"
	753-0485		Blade Adapter Kit (Splined)	100	736-0182		Spr. Wash. .5" I.D. x 1.0"
36	736-0452		Bell-Wash. .39" I.D. (Used	102	720-0226		Foam Grip (Optional)
			w/Keyed Adapter)	103	751B213146		Casing Clamp (B&S)
	736-0453		Bell-Wash. .46" I.D. (Used	104	710-1237		Hex Wash. Hd. Tap Scr. #10-32
			w/Splined Adapter)				x .62" Lg. (B&S)
38	17098		Hinge Clip	105	731-1386A		Mulching Baffle (Optional)
40	731-1026		Rear Flap Ass'y.				
43	746-0550		Control Cable—39" (B&S)				
	746-0737		Control Cable—51" (Tec.)				

### \*\*FRONT WHEEL CHART

	Bar Tread 	"T" Tread 	"S" Wave Tread 
<b>Wheels w/o Bearings</b>	734-1781 (Gray— No Hub Cap) 634-0020 (Gray— Uses Hub Cap) 734-1782 (Beige)		734-1512A (Gray)
<b>Wheels w/Plastic Brgs.</b> (Brg. Part No. 741-0262)		734-1566	
<b>Wheels with Ball Brgs.†</b> (Brg. Part No. 741-0484)		734-1268	734-1513B (Gray)

†Require Wave Washer 736-0504

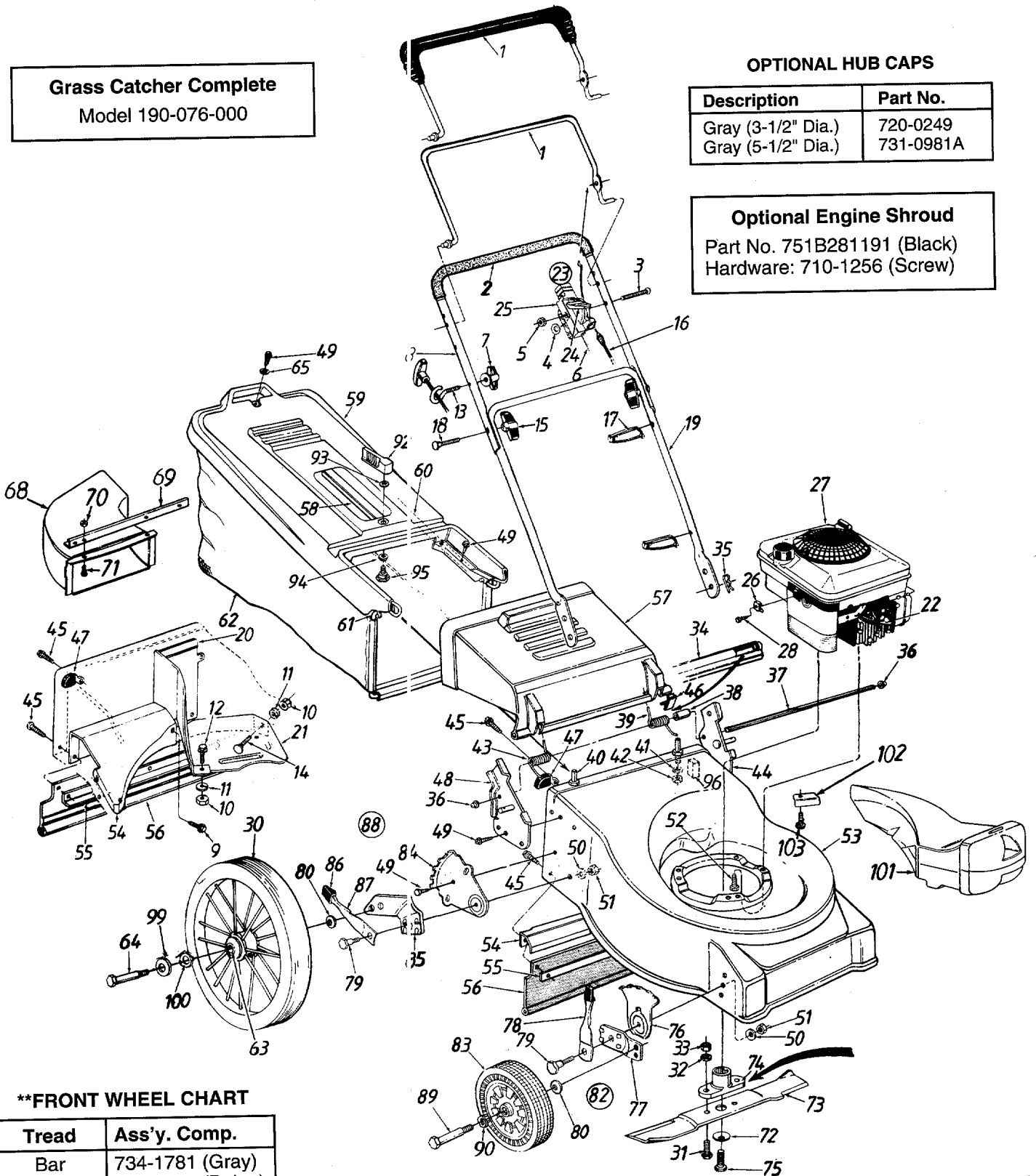
# Models 515 thru 518

**Grass Catcher Complete**  
Model 190-076-000



**OPTIONAL HUB CAPS**

Description	Part No.
Gray (3-1/2" Dia.)	720-0249
Gray (5-1/2" Dia.)	731-0981A

**Optional Engine Shroud**  
Part No. 751B281191 (Black)  
Hardware: 710-1256 (Screw)



**\*\*FRONT WHEEL CHART**

Tread	Ass'y. Comp.
Bar 	734-1781 (Gray) 734-1782 (Beige)
S-Wave 	734-1512A (Gray)

# Models 515 thru 518

## PARTS LIST FOR MODELS 515 THRU 518 ROTARY MOWERS

REF. NO.	PART NO.	CODE	DESCRIPTION	REF. NO.	PART NO.	CODE	DESCRIPTION
1	747-0824		Control Handle Ass'y. (Std.)	53	16998B	N	21" Deck Ass'y.
	647-0004		Control Handle Ass'y. (Deluxe)	54	17008		Chute Baffle
2	720-0226		Foam Grip (Optional)	55	14847		Retaining Strip 14.25" Lg.
3	710-0605		Oval C-Sunk Scr.	56	731-0669		Rear Flap 17.30" Lg.
4	736-0501		Spr. Wash. .66" I.D.	57	731-0859		Rear Chute Deflector
5	712-0324		Hex L-Nut 1/4-20 Thd.	58	731-0856A		Hardtop Handle
6	746-0843		Throttle Cable—55" (B&S)	59	731-0857A		Hardtop Bag Cover
	746-0845		Throttle Cable—45" (Tec.)	60	749-0736A		Rear Catcher Frame
7	720-0207	ca 79	Handle Knob 1/4-20 Thd.	61	764-0411		Front Catcher Frame
8	749-0538C		Upper Handle	62	764-0252		Grass Bag
9	710-0352		Hex B-Tap Scr. 1/4 x .38" Lg.	63	741-0484		Bearing (2 Per Wheel)
10	712-0287		Hex Nut 1/4-20 Thd.*	64	738-0481		Shld. Bolt .5 Dia. x 2.62"
11	736-0329		L-Wash. 1/4" I.D.*	65	736-0463		Fl-Wash. .281" I.D.
12	710-0252		Hex Bolt 1/4-20 x .85" Lg.	68	731-1461		Chute Deflector (Optional)
13	710-1205		Rope Guide	69	782-7011		Chute Mounting Brkt. (Optional)
14	710-0167		Carr. Bolt 1/4-20 x .5" Lg.	70	712-0324		Hex L-Nut 1/4-20 Thd.
15	720-0276		Hand Knob	71	710-0286		Mach. Scr. 1/4-20 x .5" Lg.
16	746-0554		Control Cable—40.5" (B&S)	72	736-0453		Bell-Wash. .46" I.D.†
	746-0555		Control Cable—55" (Tec.)		736-0452		Bell-Wash. .39" I.D.††
17	726-0240		Cable Tie	73	742-0621		21" Blade
18	710-1174		Curved Hd. Bolt 5/16-18 x 2" Lg.		742-0721		Mulching Blade (Optional)
19	749-0928		Lower Handle	74	753-0485		Blade Adapter Kit†
20	17007		Rear Panel Baffle		753-0484		Blade Adapter Kit††
21	17013		Baffle	75	710-0757		Hex Bolt 7/16-20 x 1.5" Lg.†
22	735-0639		Spark Plug Boot (Optional)		710-1044		Hex Bolt 3/8-24 x 1.5"††
23	811-00185		Throttle Box Comp. (Incl. Ref. 3, 4, 5, 24, 25)	76	15261A		Height Adj. Plate
				77	15262B		Pivot Bar
24	746-0876		Throttle Lever	78	14832		Spring Lever Ass'y. w/Knob
25	646-0875		Throttle Body	79	738-0507B		Shld. Bolt .50" Dia. x .357"
26	751B213146		Cable Clamp (B&S)	80	736-0105		Bell-Wash. .38" I.D. x .88" O.D.
27	—		Engine	82	14578		Height Adj. Ass'y. Comp.—R.H.
28	710-1237		Hex Self-Tap Scr. #10-32 x .62" Lg. (B&S)		14579		Height Adj. Ass'y. Comp.—L.H. (Not Shown)
30	734-1661		Wheel Ass'y. Comp.—Steel Rim	83	**		Front Wheel Ass'y. Comp.
31	710-1055		Hex Bolt 3/8-24 x 1"	84	14764C		Index Plate
32	736-0169		L-Wash. 3/8" I.D.	85	17488		Pivot Bar—R.H.
33	712-0241		Hex Nut 3/8-24 Thd.		17489		Pivot Bar—L.H. (Not Shown)
34	731-0858		Seal—Extrusion	86	720-0190		Spring Lever Knob
35	714-0104		Int. Cotter Pin 5/16" Dia.	87	732-0417A		Spring Lever
36	726-0106		Cap Speed Nut	88	17490		Rear Height Adj. Ass'y. Comp.—R.H.
37	747-0698B		Hinge Pin 17.75" Lg.		17491		Rear Height Adj. Ass'y. Comp.—L.H. (Not Shown)
38	750-0566		Spacer .255" I.D.				Front Axle Bolt
39	732-0577A		Torsion Spring—L.H.	89	738-0102		Wave Wash. .51" I.D. x .78" O.D. (Used w/Ball Brg.)
40	711-0805		Shld. Pin 3/8-24 x 1.43" Lg.	90	736-0504		Grass Catcher Locking Knob
41	736-0169		L-Wash. 3/8" I.D.*				Internal L-Wash. 1/4" I.D.
42	712-0711		Hex Jam Nut 3/8-24 Thd.	92	720-0224		Wave Washer 3/8" I.D.
43	732-0578A		Torsion Spring—R.H.	93	736-0498		Shld. Bolt .342" Dia. x .268" Plug
44	12297B		Handle Brkt. Ass'y.—L.H.	94	736-0286		FI-Wash. .51" I.D. x 1.373"
45	710-1017		Torx Mach. AB-Tap Scr. 1/4 x .62" Lg.	95	738-0137		Spr. Wash. .5" I.D. x 1" O.D.
46	731-0970B		Deflector Plug	96	731-0564		Mulching Plug (Optional)
47	731-0931		Corner Plug	99	736-0456		Stop Bracket (Optional)
48	12296B		Handle Brkt. Ass'y.—R.H.	100	736-0182		Hex Tap Scr. 3/8-16 x .75" Lg.
49	710-0892		Hex L-Wash. AB-Tap Scr. 1/4 x .62" Lg.	101	731-1446		
50	736-0356		Bell-Wash. .39" I.D.	102	782-7010		
51	712-0798		Hex Nut 3/8-16 Thd.*	103	710-1006		
52	710-0654A		Hex L-Wash. Hd. Scr. 3/8-16 x 1" Lg.				

† Used with Splined Adapter

†† Used with Keyed Adapter

\*For faster service obtain standard nuts, bolts and washers locally. If these items cannot be obtained locally, order by part number and size as shown on parts list.