

ROTARY MOWER

IMPORTANT

Model Nos.
112-300, 112-305,
112-310, and 112-315

SAFE OPERATION PRACTICES - WALK BEHIND MOWERS

TRAINING

1. Read the Operating and Service Instruction Manual carefully. Be thoroughly familiar with the controls and proper use of the equipment.
2. Never allow children to operate a power mower.
3. Keep the area of operation clear of all persons, particularly small children, and pets.

PREPARATION

1. Thoroughly inspect the area where the equipment is to be used and remove all stones, sticks, wire, bones and other foreign objects.
2. Do not operate equipment when barefoot or wearing open sandals. Always wear substantial footwear.
3. Check fuel before starting engine. Do not fill gasoline tank indoors, when engine is running, or while engine is still hot. Wipe off any spilled gasoline before starting engine.
4. Disengage self-propelled mechanism or drive clutch on units so equipped before starting engine (motor).
5. Never attempt to make a wheel height adjustment while engine (motor) is running.
6. Mow only in daylight or in good artificial light.
7. Never operate equipment in wet grass. Always be sure of your footing; keep a firm hold on the handle and walk; never run.

OPERATION

1. Do not change engine governor settings or overspeed engine.
2. Do not put hands or feet near or under rotating parts. Keep clear of discharge opening at all times.
3. Stop blade(s) when crossing gravel drive, walks or roads.
4. After striking a foreign object, stop the engine (motor), remove wire from spark plug, thoroughly inspect the mower for any damage, and repair the damage before restarting and operating the mower.

5. If the equipment should start to vibrate abnormally, stop the engine (motor) and check immediately for the cause. Vibration is generally a warning of trouble.
6. Stop engine (motor) whenever you leave the equipment, before cleaning mower housing, and when making any repairs or inspections.
7. When cleaning, repairing or inspecting, make certain blade and all moving parts have stopped. Disconnect spark plug wire and keep wire away from plug to prevent accidental starting.
8. Do not run engine (motor) indoors.
9. Shut engine (motor) off and wait until blade comes to a complete stop before removing grass catcher and/or unclogging chute.
10. Mow across the face of slopes, never up-and-down. Exercise extreme caution when changing direction on slopes. Do not mow excessively steep slopes.
11. Always disconnect electric mowers (line operated) before cleaning, repairing, or adjusting.
12. Never operate mower without proper guards, plates or other safety protective devices in place.
13. Keep washout ports and other mower housing service openings closed when mowing.

MAINTENANCE AND STORAGE

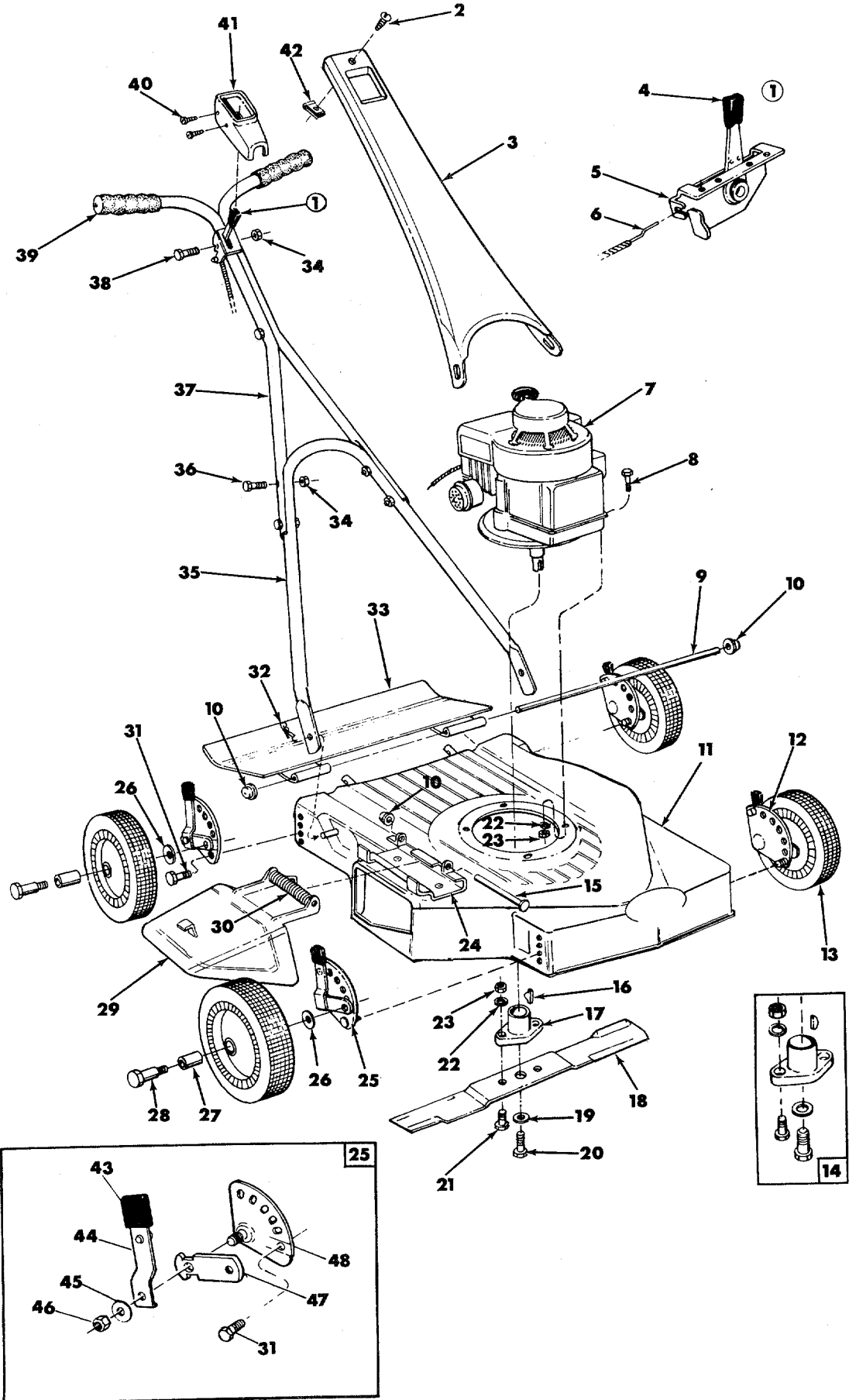
1. Check blade and engine mounting bolts at frequent intervals for proper tightness.
2. Keep all nuts, bolts, and screws tight to be sure equipment is in safe working condition.
3. Never store equipment with gasoline in the tank inside of a building where fumes may reach an open flame or spark. Allow engine to cool before storing in any enclosure.
4. To reduce fire hazard keep engine free of grass, leaves or excessive grease.
5. Check grass catcher bags frequently for wear or deterioration. Replace with new bags for safety protection.

112-300

112-305

112-310

112-315



PARTS LIST FOR MODEL NOS. 112-300, 112-305, 112-310 and 112-315

REF. NO.	112-300 PART NO.	112-305 PART NO.	112-310 PART NO.	112-315 PART NO.	DESCRIPTION
1	11597	11597	11597	11597	Throttle Control – complete
2	None	710-437	None	710-437	Round Hd. Mach. Scr. 10–24 x ½” lg. *
3	None	11604	None	11604	Handle Panel
4	305-7470	305-7470	305-7470	305-7470	Throttle Control – Knob
5	11600	11600	11600	11600	Throttle Control – Bracket Assembly
6	732-141	732-141	732-141	732-141	Conduit and Wire
7	----	----	----	----	Engine
8	710-158	710-158	710-158	710-158	Hex Hd. Cap Scr. 5/16–24 x 1¼” lg. *
9	11144	11144	11145	11145	Hinge Rod
10	726-106	726-106	726-106	736-106	Push-on Flange Palnut
11	11445	11445	11446	11446	Deck Assembly
12	None	10950	None	10950	Height Adjuster Assembly Complete – L.H.
13	504-9392	504-9392	505-9392	505-9392	Wheel Assembly – complete
14	10769	10769	10769	10769	Blade Adapter Kit
15	711-555	711-555	711-555	711-555	Pivot Pin
16	714-365	714-365	714-365	714-365	Key Hi Pro #505
17	748-189	748-189	748-189	748-189	Blade Adapter
18	742-123	742-123	742-125	748-125	Blade
19	736-217	736-217	736-217	736-217	Spring Lockwasher 3/8 Scr. – Heavy duty
20	710-459	710-459	710-459	710-459	Hex Hd. Cap Scr. 3/8–24 x 1½” Lg. H.T.
21	710-117	710-117	710-117	710-117	Hex Hd. Cap Scr. 5/16–24 x 1” Lg. H.T.
22	736-119	736-119	736-119	736-119	Spring Lockwasher 5/16” Screw *
23	712-123	712-123	712-123	712-123	Hex Nut 5/16–24 Thread *
24	11130	11130	11130	11130	Adapter Plate
25	None	10951	None	10951	Height Adjuster Assembly – complete – R.H.
26	736-105	736-105	736-105	736-105	Belleville Washer
27	305-7006	305-7006	305-7006	305-7006	Fortiflex Bearing
28	738-213	738-102	738-213	738-102	Axle Bolt
29	11141	11141	11141	11141	Chute Deflector
30	732-253	732-253	732-253	732-253	Torsion Spring
31	None	710-209	None	710-209	SEMS Hex. Hd. Cap Scr. 3/8–16 x 5/8” Lg.
32	714-507	714-507	714-507	714-507	Cotter Pin 3/32” dia. x 3/4” Lg. *
33	11161	11161	11167	11167	Protective Shield
34	712-107	712-107	712-107	712-107	Hex Center Locknut ¼–20 Thread
35	310-7016	310-7016	310-7036	310-7036	Lower Handle
36	710-106	710-106	710-106	710-106	Hex Hd. Cap Screw ¼–20 x 1¼” Lg. *
37	310-9364	310-9364	310-9364	310-9364	Upper Handle (2 Required)
38	710-606	710-606	710-606	710-606	Hex Hd. Cap Screw ¼–20 x 1½” Lg. *
39	305-7071	305-7071	305-7071	305-7071	Grip
40	710-148	None	710-148	None	Self Tap Screw #8–32 x 5/16” Lg. *
41	11608	None	11608	None	Plastic Cover
42	None	712-526	None	712-526	Speed Nut
43	None	305-7520	None	305-7520	Spring Lever – Knob
44	None	10949	None	10949	Spring Lever Assembly with Knob
45	None	736-219	None	736-219	Spring Washer
46	None	712-116	None	712-116	Elastic Locknut 3/8–24 Thread
47	None	10937	None	10937	Pivot Bar
48	None	10934	None	10934	Index Plate Assembly – R.H.
	None	10935	None	10935	Index Plate Assembly – L.H.
49	746-145	746-145	746-145	746-145	Cable Clip

*For faster service, obtain standard nuts, bolts and washers locally. If these items cannot be obtained locally, order by part number and size as shown on the parts list.

(349 Cypress Green) When ordering parts if color or finish is important, use the appropriate color code shown at left.
 (414 Tiara Gold) (e.g. Cypress Green finish – 11445 (349).

NOTE: This instruction manual covers various models and all accessories shown do not necessarily apply to your model mower.

The engine is not under warranty by the mower manufacturer. If repairs or service is needed on the engine, please contact your nearest authorized engine service outlet. Check the “Yellow Pages” of your telephone book under “Engines - Gasoline.”

Find us fast in the



ASSEMBLY

Your new mower is shipped completely assembled with the exception of the handle and throttle control assembly.

1. Remove lawn mower and all parts from carton. Make certain that all loose parts and literature are removed from carton before carton is discarded.
2. Extend throttle control assembly, which is attached to engine, to rear of mower and place on floor. CAUTION: Do not bend or kink control wire.
3. Assemble upper handle to lower handle using four each screws and lock nuts provided in parts bag.
4. Assemble complete handle assembly to mower so that throttle control mounting hole in upper handle will be on right side. Holes at bottom of lower handle are to be fitted over studs located in front of each rear wheel mounting position.
5. Position throttle control assembly on right hand side of upper handle so that holes in control assembly and handle are in line. Secure in place with screw and lock nut found in parts bag. Secure throttle wire to lower right handle tube with clips in parts bag.
6. Place the plastic control cover over the throttle control and secure with two self-tapping screws.

OPERATION

1. Service engine with gas and oil. See engine manual packed with lawn mower for complete instructions for the care and maintenance of engine. READ DIRECTIONS CAREFULLY.
2. When ready to start engine, place throttle control lever, on handle, in "START" position and start engine in accordance with instructions in engine manual. After engine starts, move throttle control lever, on handle, to desired engine speed. The engine is stopped by placing control lever on handle in "STOP" position.
3. Be sure that lawn is clear of stones, sticks, wire or other objects which could damage lawn mower or engine. For best results and to insure more even grass distribution, do not mow when lawn is excessively wet.

ADJUSTMENTS

CAUTION: Do not at any time make any adjustment to lawn mower without first stopping engine and disconnecting spark plug wire.

EASY CUTTING HEIGHT – An adjusting plate and thumb lever at each wheel position provides cutting height adjustment. Each adjusting plate has five holes. Height of cut will be changed when the thumb lever is moved from one hole to another. Simply depress thumb lever towards wheel and move wheel and lever assembly to desired position. Cutting height will be raised as lever is moved toward front and lowered as lever is moved toward rear. All wheels must be positioned in relative height of cut positions.

CUTTING HEIGHT – Adjustment may be made by removing and moving wheel studs to desired position. Cutting heights will be raised as wheel studs are moved to a lower hole and lowered as wheel studs are moved to a higher hole in the deck. All wheel studs must be mounted in a relative position to the deck.

THROTTLE – If adjustment becomes necessary, the throttle control wire assembly can be reset as follows:

1. Loosen, but do not remove, screw securing throttle control wire assembly at engine.
2. Move throttle control lever on handle to "FAST" position.
3. Move lever, to which control wire is fastened at engine, to full open position and retighten screw to secure throttle control wire assembly.

LUBRICATION

IMPORTANT: Always stop engine and disconnect spark plug wire

before cleaning, lubricating or doing any kind of work on lawn mower.

WHEELS – Wheel bearings are fortiflex. They require no lubrication.

THROTTLE – Periodically lubricate throttle control lever and throttle wire assembly with a few drops of light oil (S.A.E. No. 10 or 20) for ease of operation.

ENGINE – Follow Engine Manual for lubrication instructions.

PROTECTIVE SHIELD – The pivot points on the protective shield should be lubricated periodically with light oil to prevent any rust or binding.

CHUTE DEFLECTOR – The torsion spring and pivot point should be lubricated periodically with light oil to prevent any rust or binding. Deflector must work freely.

MAINTENANCE

CUTTING BLADE – The blade may easily be removed for grinding or replacement as follows:

1. Remove bolt and lockwasher holding blade and blade adapter to engine crankshaft.
2. Remove blade and blade adapter from engine crankshaft.
3. Remove two bolts, lockwashers and nuts holding blade to blade adapter. (If necessary.)

When sharpening blade, follow the original angle of grind as a guide. It is extremely important that each cutting edge receives an equal amount of grinding to prevent an unbalanced blade. An unbalanced blade will cause excessive vibration when rotating at high speeds and may cause damage to the mower.

Upon reassembly, make certain all parts are assembled properly and tightened securely.

DECK – The underside of mower deck should be cleaned after each period of use as grass clippings, leaves, dirt and other matter will accumulate. This accumulation of grass clippings, etc., is undesirable as it will invite rust and corrosion and may cause an uneven discharge of grass clippings at the next cutting.

The deck may be cleaned by tilting the mower forward or on its left side and scraping clean with a suitable tool or by washing with a stream of water from a garden hose.

CAUTION: Do not direct the stream of water at a hot engine as damage to the engine may result.

STORAGE – The following steps should be taken to prepare lawn mower for storage.

1. Clean and lubricate mower thoroughly as described in the preceding instructions.
2. Refer to Engine Manual for correct engine storage instructions.
3. Coat mower's cutting blade with chassis grease to prevent rusting.
4. Place blocks under deck to raise tires clear of floor.
5. Store mower in a dry, clean area.

USING YOUR ROTARY MOWER

For best results do not cut wet grass because it tends to stick to underside of the mower thus preventing proper discharge of grass clippings. If wet grass must be cut reduce engine speed and walking speed to help distribute the clippings more effectively.

New grass should be treated as wet grass, otherwise a normal walking speed is about the right pace for efficient mowing.

The best mowing pattern is one that allows the clippings to discharge towards the uncut part of the lawn. This permits recutting of the clippings to further pulverize them. When cutting high weeds, discharge towards cut portion then recut at right angles to first direction.

Lawn should be cut in the fall as long as there is growth.

GRASS CATCHER Model No. 192-003 is available as optional equipment for the mowers shown in this manual.

WARNING:

1. The mower should not be operated without the entire grass catcher or chute deflector in place.
2. The mower should not be operated without the protective shield on the rear of the deck in place.

NOTE:

Under normal usage bag material is subject to wear, and should be checked periodically. Be sure any replacement bag complies with the mower manufacturer's recommendations.

For replacement bags, use only factory authorized replacement bag No. 764-119.

★ IMPORTANT

After striking a foreign object, stop the engine (motor), remove wire from spark plug. Thoroughly inspect the mower for any damage, and repair the damage before restarting and operating the mower.

WARRANTY

For one year from date of purchase, MTD Products Inc will replace for the original purchaser, free of charge, F.O.B. factory or authorized service firm, any part or parts found to be defective in material or workmanship. All transportation charges on parts submitted for replacement under this warranty must be paid by the purchaser. This warranty does not include replacement of parts which become inoperative through misuse, excessive use, accident, neglect, improper maintenance or alterations by unauthorized persons. This warranty does not include the engine, motor, battery, battery charger or any component parts thereof. For service on these units, refer to the applicable manufacturer's warranty.

The above warranty will apply only to the original owner and will be effective only if the warranty card has been properly processed. It will not apply where the unit has been used commercially.

Warranty service is available through your local authorized service dealer or distributor. **UNDER NO CIRCUMSTANCES WILL THE RETURN OF A COMPLETE UNIT BE ACCEPTED BY THE FACTORY UNLESS PRIOR WRITTEN PERMISSION HAS BEEN EXTENDED**

PARTS INFORMATION

MOWER, TILLER, SNOW THROWER AND TRACTOR PARTS

Mower, tiller, snow thrower and tractor parts are available through the authorized service firms listed below. All orders should specify the model number of your unit, parts numbers, description of parts and the quantity of each part required.

ENGINE PARTS AND SERVICE

Engine parts and service should be handled by your nearest authorized engine service firm. Check the yellow pages of your telephone directory under the listing *Engines - Gasoline*, Briggs and Stratton or Tecumseh Lauson - Power Products.

A 1 Engine & Mower Co.

327 East 9th Street
Salt Lake City, Utah 84102

American Electric Ignition Co.

124 N. W. 8th Street
Oklahoma City, Oklahoma 73102

Auto Electric & Carburetor Co.

2625 4th Avenue, S.
P. O. Box 1948
Birmingham, Alabama 35233

Automotive Equipment Service Co.

3117 Holmes Street
Kansas City, Missouri 64109

Bailey's Rebuild Inc.

1325 E. Madison Street
Seattle, Washington 98102

Brown Equipment Distributor Inc.

110 Beech Street
Corydon, Indiana 47112

Bullard Supply

2409 Commerce Street
Houston, Texas 77003

Center Supply Company

6867 New Hampshire Avenue
Takoma Park, Maryland 20012

R. T. Clapp Co.

2016 Magnolia Ave., N. E.
Knoxville, Tennessee 37917

W. B. Clements

400 Salem Avenue
Roanoke, Virginia 24016

Morton B. Collins Co.

300 Birnie Avenue
Springfield, Massachusetts 01107

Dixie Sales Company

P. O. Box 1408
327 Battleground Avenue
Greensboro, North Carolina 27402

East Point Cycle & Key Shop

1617 Whiteway
East Point, Georgia 30044

Gamble Distributors

West End Avenue
Carthage, New York 13619

Garden Equipment Co., Inc.

6600 Cherry Avenue
Long Beach, California 90805

Henzler, Inc.

2015 Lemay Ferry Road
St. Louis, Missouri 63125

Frank E. Ives & Son

1101 Lincoln Avenue
Prospect Park, Pennsylvania 19076

J. W. Jewett Co.

981 Folsom Street
San Francisco, California 94107

Kenton Supply

8216 North Denver Avenue
Portland, Oregon 97217

Kimber's Inc.

615 W. Genesee Street
Syracuse, New York 13204

Marr Brothers

423 E. Jefferson
Dallas, Texas 75203

Mathews Auto Electric Co.

420 East 2nd Street
Tulsa, Oklahoma 74120

McClure Lawn & Garden Supply

1114 Lexington Avenue
Mansfield, Ohio 44907

Memphis Cycle & Supply Co.

421 Monroe Avenue
Memphis, Tennessee 38103

Moz-All of Florida, Inc.

365 Greco Avenue
Coral Gables, Florida 33146

National Central, Div. of Joe Sterling, Inc.

Drawer "D" 687 Seville Rd.
Wadsworth, Ohio 44281

Power Equipment Distributor

36463 So. Gratiot Avenue
Mt. Clemens, Michigan 48043

Parts & Sales Inc.

335 West St. Charles Road
Villa Park, Illinois 60181

Power Lawn & Garden Equip. Co.

2551-2571 J. F. Kennedy Road
Dubuque, Iowa 52001

Raub Supply Company

James & Mulberry Sts.
Lancaster, Pennsylvania 17604

Radco Distributors

2403 Market Street
P. O. Box 3216
Jacksonville, Florida 32206

Richmond Battery & Ignition

P. O. Box 25369 - 957 Myers St.
Richmond, Virginia 23260

Smith Hardware Company

515 N. George Street
Goldsboro, North Carolina 27530

South Denver Lawn Equip. Co.

527 West Evans
Denver, Colorado 80223

Suhren Engine

8330 Earhart Blvd.
New Orleans, Louisiana 70118

Sutton's Lawn Mower Shop

Route 4, Box 343
North Little Rock, Arkansas 72117

Warner Equipment

7520 Lyndale Avenue, So.
Minneapolis, Minnesota 55423