

ROTARY MOWER

IMPORTANT

Model Nos.

112-260

SAFE OPERATION PRACTICES - WALK BEHIND MOWERS

TRAINING

1. Read the Operating and Service Instruction Manual carefully. Be thoroughly familiar with the controls and proper use of the equipment.
2. Never allow children to operate a power mower.
3. Keep the area of operation clear of all persons, particularly small children, and pets.

PREPARATION

1. Thoroughly inspect the area where the equipment is to be used and remove all stones, sticks, wire, bones and other foreign objects.
2. Do not operate equipment when barefoot or wearing open sandals. Always wear substantial footwear.
3. Check fuel before starting engine. Do not fill gasoline tank indoors, when engine is running, or while engine is still hot. Wipe off any spilled gasoline before starting engine.
4. Disengage self-propelled mechanism or drive clutch on units so equipped before starting engine (motor).
5. Never attempt to make a wheel height adjustment while engine (motor) is running.
6. Mow only in daylight or in good artificial light.
7. Never operate equipment in wet grass. Always be sure of your footing; keep a firm hold on the handle and walk; never run.

OPERATION

1. Do not change engine governor settings or overspeed engine.
2. Do not put hands or feet near or under rotating parts. Keep clear of discharge opening at all times.
3. Stop blade(s) when crossing gravel drive, walks or roads.
4. After striking a foreign object, stop the engine (motor), remove wire from spark plug, thoroughly inspect the mower for any damage, and repair the damage before restarting and operating the mower.

5. If the equipment should start to vibrate abnormally, stop the engine (motor) and check immediately for the cause. Vibration is generally a warning of trouble.
6. Stop engine (motor) whenever you leave the equipment, before cleaning mower housing, and when making any repairs or inspections.
7. When cleaning, repairing or inspecting, make certain blade and all moving parts have stopped. Disconnect spark plug wire and keep wire away from plug to prevent accidental starting.
8. Do not run engine (motor) indoors.
9. Shut engine (motor) off and wait until blade comes to a complete stop before removing grass catcher and/or unclogging chute.
10. Mow across the face of slopes, never up-and-down. Exercise extreme caution when changing direction on slopes. Do not mow excessively steep slopes.
11. Always disconnect electric mowers (line operated) before cleaning, repairing, or adjusting.
12. Never operate mower without proper guards, plates or other safety protective devices in place.
13. Keep washout ports and other mower housing service openings closed when mowing.

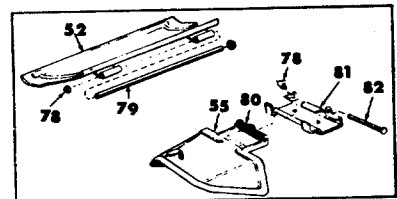
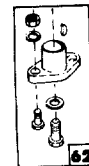
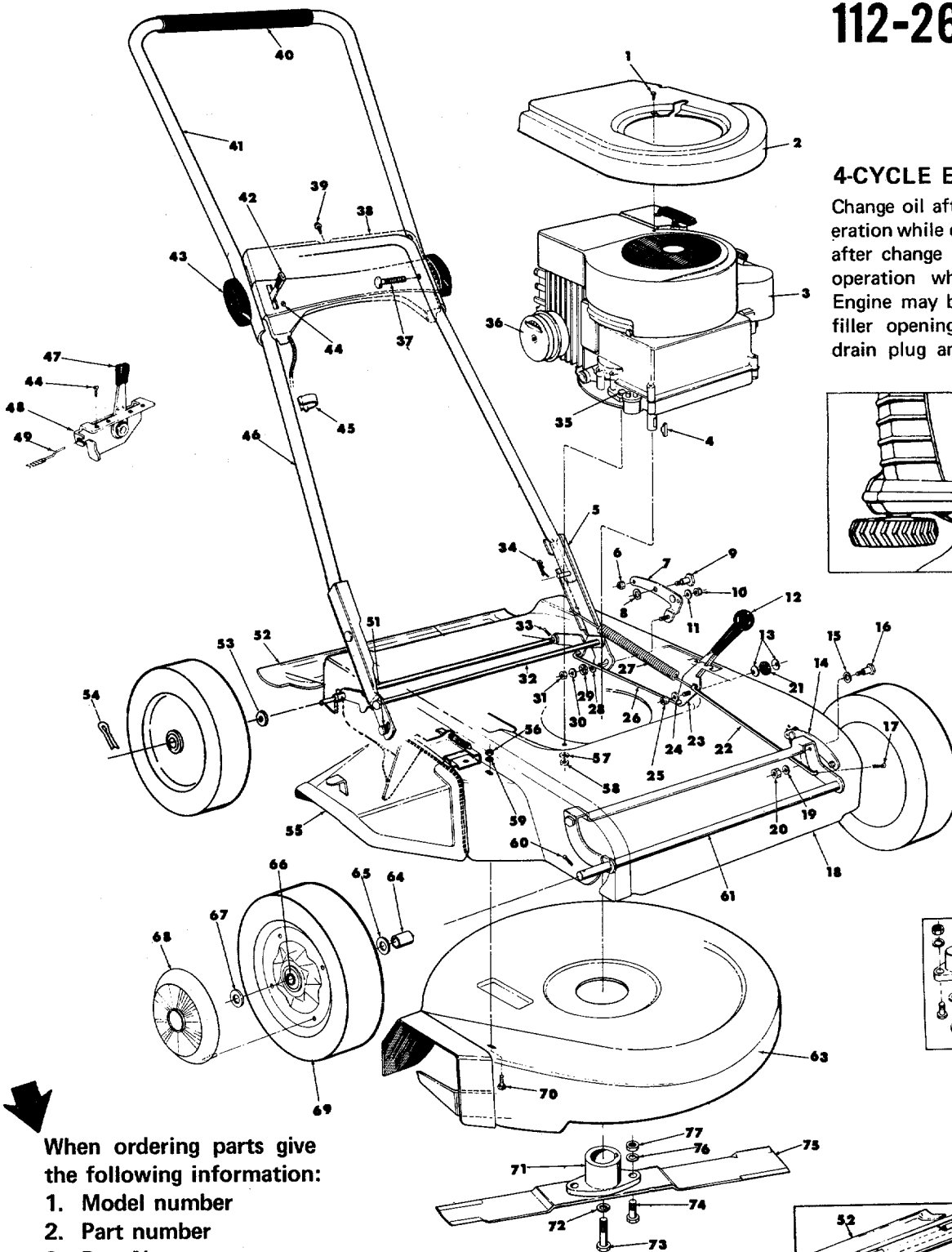
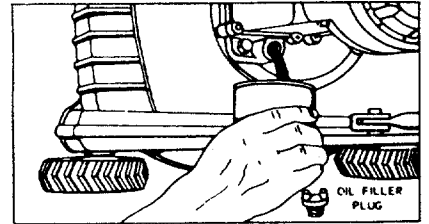
MAINTENANCE AND STORAGE

1. Check blade and engine mounting bolts at frequent intervals for proper tightness.
2. Keep all nuts, bolts, and screws tight to be sure equipment is in safe working condition.
3. Never store equipment with gasoline in the tank inside of a building where fumes may reach an open flame or spark. Allow engine to cool before storing in any enclosure.
4. To reduce fire hazard keep engine free of grass, leaves or excessive grease.
5. Check grass catcher bags frequently for wear or deterioration. Replace with new bags for safety protection.

112-260

4-CYCLE ENGINE

Change oil after first 5 hours of operation while engine is warm. Thereafter change oil every 25 hours of operation while engine is warm. Engine may be drained through oil filler opening. Be sure to replace drain plug and oil filler cap.



When ordering parts give the following information:

1. Model number
2. Part number
3. Part Name
4. Color of part

When ordering replacement parts, be sure to specify your mower model number, part number, description of part, and the number of parts required . . . Parts and service should be handled by your nearest authorized service firm as recommended by your dealer. Request for parts and service received at the factory will be forwarded to the appropriate Central Service Distributor in your area for handling.

PARTS LIST FOR MODEL No. 112-260

Ref. No.	Part No.	DESCRIPTION	Ref. No.	Part No.	DESCRIPTION
1	710-407	Slotted Hex Washer Hd. Ext. Screw 8-32 x 1/2" lg. *	44	710-407	Slotted Hex Washer Hd. Ext. Scw. 8-32 x 1/2" long
2	10611	Engine Shroud	45	746-128	Cable Clip
3	----	Engine	46	10008	Lower Handle
4	714-365	Key - HiPro 505	47	305-7470	Throttle Control - Knob
5	10623	Left Hand Pivot Arm Assembly	48	11600	Throttle Control - Bracket Assy.
6	712-429	Hex Elastic Stop Nut 5/16-18 Thd.	49	732-144	Conduit and Wire
7	10656	Rear Height Pivot Bracket Assy.	51	736-155	Rubber Washer
8	736-221	Internal Lockwasher	52	11165	Protective Shield
9	710-334	Shoulder Bolt - Special	53	736-160	Flat Washer
10	712-429	Hex Elastic Stop Nut 5/16-18 Thd.	54	714-115	Cotter Pin 1/8" dia. x 1" long *
11	736-119	Spring Lockwasher 5/16 Screw *	55	11141	Chute Deflector
12	720-143	Grip - Height Adjuster	56	712-267	Hex Nut 5/16-18 Thread *
13	736-105	Belleville Washer	57	736-119	Spring Lockwasher 5/16 Screw *
14	10658	Front Height Pivot Bracket Assy.	58	712-123	Hex Nut 5/16-24 Thread *
15	736-221	Internal Lockwasher	59	736-119	Spring Lockwasher 5/16 Screw *
16	710-334	Shoulder Bolt - special	60	714-115	Cotter Pin 1/8" dia. x 1" long *
17	714-507	Cotter Pin 3/32 x 3/4" long *	61	10662	Front Axle Assembly
18	11426	Frame	62	10769	Blade Adapter Kit
19	736-119	Spring Lockwasher 5/16 Screw *	63	11425	Lower Deck Assembly
20	712-429	Hex Elastic Stop Nut 5/16-18 Thd.	64	748-190	Front Wheel Spacer
21	736-155	Rubber Washer	65	736-160	Flat Washer
22	10080	Rod - Height Adjuster	66	741-114	Ball Bearing
23	10666	Height Grip Assembly	67	736-160	Flat Washer
24	736-159	Flat Washer	68	305-9871	Hub Cap
25	712-116	Hex Jam Nut 3/8-24 Thd. NY Lock	69	513-9383	Wheel Assembly - Complete
26	10080	Rod - Height Adjuster	70	710-260	Carriage Bolt 5/16-18 x 5/8" long *
27	732-153	Spring 8.65 long	71	748-189	Blade Adapter
28	736-159	Flat Washer	72	736-217	Spring Lockwasher 3/8 Screw Heavy Duty
29	736-161	Rubber Washer	73	710-459	Hex Hd. Cap Screw 3/8-24 x 1 1/2" lg. Heat Treated
30	736-159	Flat Washer	74	710-117	Hex Hd. Cap Screw 5/16-24 x 1" lg. Heat Treated
31	712-372	Hex Center Locknut 5/16-18 Thd *	75	742-124	Blade - 21 inch
32	10942	Rear Axle Assembly	76	736-119	Spring Lockwasher 5/16 Screw *
33	714-115	Cotter Pin 1/8" dia. x 1" long *	77	712-123	Hex Nut 5/16-24 Thread *
34	714-104	Hairpin Cotter	78	726-106	Push-on Flange Palnut
35	710-158	Hex Hd. Cap Scw. 5/15-24 x 1 1/4" lg.*	79	11173	Hinge Rod
36	310-9278	Exhaust Deflector	80	732-253	Torsion Spring
37	710-405	Curved Head Scw. 5/16-18 x 1-3/4" lg.	81	11130	Adapter Plate
38	11606	Handle Panel	82	711-555	Pivot Pin
39	710-407	Slotted Hex Washer Head Ext. Scw. 8-32 x 1/2" lg.			
40	718-144	Grip			
41	10011	Upper Handle			
42	11611	Throttle Control Assembly Complete			
43	305-9966	Knob - Handle Assembly			

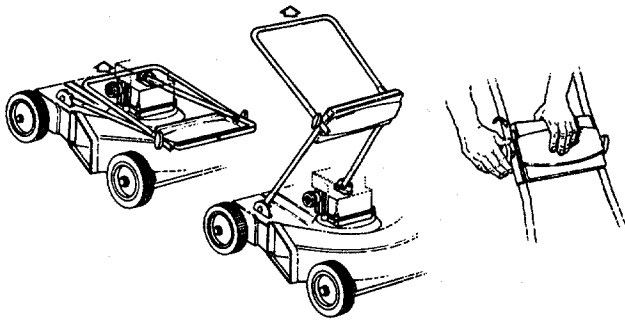
* For faster service, obtain standard nuts, bolts, and washers locally. If these items cannot be obtained locally, order by part number and size as shown on parts list.

437 - Flag Red) When ordering parts, if color or finish is important, use the appropriate
438 - Polar Blue) color code shown at left. (e.g. Polar Blue Finish - 11426 (438)).

The engine is not under warranty by the mower manufacturer. If repairs or service is needed on the engine, please contact your nearest authorized engine service outlet. Check the "Yellow Pages" of your telephone book under "Engines-Gasoline."

Find us fast in the





ASSEMBLY INSTRUCTIONS

NOTE: This instruction manual covers various models, and all accessories shown do not necessarily apply to your model mower.

OPERATION

1. Service engine with gas and oil. See engine manual packed with lawn mower for complete instructions for care and maintenance of engine. **READ DIRECTIONS CAREFULLY.**
2. To disconnect the power to the rear drive wheels so the mower can be pushed by hand, depress the handle. To engage the drive wheels, lift the handle.
3. When turning the mower depress the handle and raise the front wheels, and pivot on the rear wheels. The differential action of the rear axle allows the wheels to turn independently on turns and allows both wheels to drive when the handle is in the UP position.

START ENGINE

With the throttle control lever conveniently mounted on the handle, start, fast, slow and stopping of the engine is conveniently controlled with one lever.

After the engine has been properly fueled and oiled (Refer to engine operating and maintenance instructions), start engine in the following manner:

RECOIL STARTER

1. Move throttle control lever to **START** position.
2. Crank engine. Pull recoil until starter drive engages and then with a quick firm pull. Do not pull out so far that rope stops with a jerk as this will cause rope failure. Do not allow rope and handle to snap back into place.
3. After two or three full firm pulls on recoil, move speed control to run position or as soon as engine fires.
4. Operate a new engine at intermediate speeds and light load for the first few hours as you would a new automotive engine.
5. To stop engine, move speed control lever to stop position.
6. If carburetor needs adjustment to start or for operation, see "Carburetor Readjustment" section.

NOTE: A brief break-in period is essential to insure maximum engine life. This consists of running the engine at half speed for a period of time required to use one tank of gasoline. This is necessary on the initial run only. It is also recommended that the oil be changed after five (5) hours of operation. This allows for the removal of impurities which may have accumulated during the break-in period. Subsequent oil changes should be made as stated in the engine manual. Always check oil before using your mower. Be sure crankcase is full.

ADJUSTMENTS

CAUTION: Do not at any time make any adjustment to lawn mower without first stopping engine and disconnecting spark plug wire.

1. **CUTTING HEIGHT** - This mower can be adjusted for seven cutting heights from 1" to 3". To change the height, move the height adjustment lever away from the engine and forward to lower the cutting height and move to rear to raise the cutting height. The one lever adjusts all four wheels at the same time.



2. The position of the upper handle can be changed so the end of the handle turns down instead of up to place it in the most comfortable position for the operator.
3. **THROTTLE** - If adjustment becomes necessary, the throttle control wire assembly can be reset as follows:
 - a) Loosen, but do not remove, screw securing throttle control wire assembly at engine.
 - b) Move throttle control lever on handle to "FAST" position.
 - c) Move lever, to which control wire is fastened at engine, to full open position and retighten screw to secure throttle control wire assembly.

LUBRICATION

IMPORTANT: Always stop engine and disconnect spark plug wire before cleaning, lubricating or doing any kind of work on lawn mower.

1. **ENGINE**-Follow engine manual for lubrication instructions.
2. **CONTROLS**-Lubricate periodically the control assemblies and conduit and wire with light engine oil for ease of operation.
3. **WHEELS**-The front and rear wheels of your unit are ball bearings and require periodic lubrication with a light engine oil.
4. **PROTECTIVE SHIELD**-The pivot points on the protective shield should be lubricated periodically with light oil to prevent any rust or binding.
5. **CHUTE DEFLECTOR**-The torsion spring and pivot point should be lubricated periodically with light oil to prevent any rust or binding. Deflector must work freely.

CUTTING BLADE

The blade may easily be removed for grinding or replacement as follows:

1. Remove bolt and lockwasher holding blade and blade adapter to engine crankshaft.
2. Remove blade and blade adapter from engine crankshaft.
3. Remove two bolts, lockwashers and nuts holding blade to blade adapter (if necessary).

When sharpening blade, follow the original angle of grind as guide. It is extremely important that each cutting edge receives an equal amount of grinding to prevent an unbalanced blade. An unbalanced blade will cause excessive vibration when rotating at high speeds and may cause damage to the mower. . . Upon reassembly, make certain all parts are assembled properly and tightened securely.

GRASS CATCHER Model No. 192-003 is available as optional equipment for the mower shown in this manual.

WARNING:

1. The mower should not be operated without the entire grass catcher or chute deflector in place.
2. The mower should not be operated without the protective shield on the rear of the deck in place.

NOTE:

Under normal usage bag material is subject to wear, and should be checked periodically. Be sure any replacement bag complies with the mower manufacturer's recommendations.

For replacement bags, use only factory authorized replacement bag No. 764-119.

★ IMPORTANT

After striking a foreign object, stop the engine (motor), remove wire from spark plug. Thoroughly inspect the mower for any damage, and repair the damage before restarting and operating the mower.

WARRANTY

For one year from date of purchase, MTD Products Inc will replace for the original purchaser, free of charge, F.O.B. factory or authorized service firm, any part or parts found to be defective in material or workmanship. All transportation charges on parts submitted for replacement under this warranty must be paid by the purchaser. This warranty does not include replacement of parts which become inoperative through misuse, excessive use, accident, neglect, improper maintenance or alterations by unauthorized persons. This warranty does not include the engine, motor, battery, battery charger or any component parts thereof. For service on these units, refer to the applicable manufacturer's warranty.

The above warranty will apply only to the original owner and will be effective only if the warranty card has been properly processed. It will not apply where the unit has been used commercially.

Warranty service is available through your local authorized service dealer or distributor. **UNDER NO CIRCUMSTANCES WILL THE RETURN OF A COMPLETE UNIT BE ACCEPTED BY THE FACTORY UNLESS PRIOR WRITTEN PERMISSION HAS BEEN EXTENDED**

PARTS INFORMATION

MOWER, TILLER, SNOW THROWER AND TRACTOR PARTS

Mower, tiller, snow thrower and tractor parts are available through the authorized service firms listed below. All orders should specify the model number of your unit, parts numbers, description of parts and the quantity of each part required.

A 1 Engine & Mower Co.
327 East 9th Street
Salt Lake City, Utah 84102

American Electric Ignition Co.
124 N. W. 8th Street
Oklahoma City, Oklahoma 73102

Auto Electric & Carburetor Co.
2625 4th Avenue, S.
P. O. Box 1948
Birmingham, Alabama 35233

Automotive Equipment Service Co.
3117 Holmes Street
Kansas City, Missouri 64109

Bailey's Rebuild Inc.
1325 E. Madison Street
Seattle, Washington 98102

Brown Equipment Distributor Inc.
110 Beech Street
Corydon, Indiana 47112

Bullard Supply
2409 Commerce Street
Houston, Texas 77003

Center Supply Company
6867 New Hampshire Avenue
Takoma Park, Maryland 20012

R. T. Clapp Co.
2016 Magnolia Ave., N. E.
Knoxville, Tennessee 37917

W. B. Clements
400 Salem Avenue
Roanoke, Virginia 24016

Morton B. Collins Co.
300 Birnie Avenue
Springfield, Massachusetts 01107

Dixie Sales Company
P. O. Box 1408
327 Battleground Avenue
Greensboro, North Carolina 27402

East Point Cycle & Key Shop
1617 Whiteway
East Point, Georgia 30044

Gamble Distributors
West End Avenue
Carthage, New York 13619

Garden Equipment Co., Inc.
6600 Cherry Avenue
Long Beach, California 90805

Henzler, Inc.
2015 Lemay Ferry Road
St. Louis, Missouri 63125

Frank E. Ives & Son
1101 Lincoln Avenue
Prospect Park, Pennsylvania 19076

J. W. Jewett Co.
981 Folsom Street
San Francisco, California 94107

Kenton Supply
8216 North Denver Avenue
Portland, Oregon 97217

Kimber's Inc.
615 W. Genesee Street
Syracuse, New York 13204

Marr Brothers
423 E. Jefferson
Dallas, Texas 75203

Mathews Auto Electric Co.
420 East 2nd Street
Tulsa, Oklahoma 74120

McClure Lawn & Garden Supply
1114 Lexington Avenue
Mansfield, Ohio 44907

Memphis Cycle & Supply Co.
421 Monroe Avenue
Memphis, Tennessee 38103

ENGINE PARTS AND SERVICE

Engine parts and service should be handled by your nearest authorized engine service firm. Check the yellow pages of your telephone directory under the listing *Engines - Gasoline*, Briggs and Stratton or Tecumseh Lauson - Power Products.

Moz-All of Florida, Inc.
365 Greco Avenue
Coral Gables, Florida 33146

National Central, Div. of Joe Sterling, Inc.
Drawer "D" 687 Seville Rd.
Wadsworth, Ohio 44281

Power Equipment Distributor
36463 So. Gratiot Avenue
Mt. Clemens, Michigan 48043

Parts & Sales Inc.
335 West St. Charles Road
Villa Park, Illinois 60181

Power Lawn & Garden Equip. Co.
2551-2571 J. F. Kennedy Road
Dubuque, Iowa 52001

Raub Supply Company
James & Mulberry Sts.
Lancaster, Pennsylvania 17604

Radco Distributors
2403 Market Street
P. O. Box 3216
Jacksonville, Florida 32206

Richmond Battery & Ignition
P. O. Box 25369 - 957 Myers St.
Richmond, Virginia 23260

Smith Hardware Company
515 N. George Street
Goldsboro, North Carolina 27530

South Denver Lawn Equip. Co.
527 West Evans
Denver, Colorado 80223

Suhren Engine
8330 Earhart Blvd.
New Orleans, Louisiana 70118

Sutton's Lawn Mower Shop
Route 4, Box 343
North Little Rock, Arkansas 72117

Warner Equipment
7520 Lyndale Avenue, So.
Minneapolis, Minnesota 55423