

OWNER'S GUIDE

10 CENTS

**Model Nos. 111-800
111-810 111-870 111-880**

ROTARY MOWER

WARRANTY

For one year from date of purchase, MTD Products Inc., will replace for the original purchaser, free of charge, F.O.B. factory or authorized service firm, any part or parts found to be defective in material or workmanship. All transportation charges on parts submitted for replacement under this warranty must be paid by the purchaser. This warranty does not include replacement of parts which become inoperative through misuse, excessive use, accident, neglect, improper maintenance or alterations by unauthorized persons. This warranty does not include the engine, motor, battery, battery charger or any component parts thereof. For service on these units refer to the applicable manufacturer's warranty.

The above warranty will apply only to the original owner and will be effective only if the warranty card has been properly processed. It will not apply where the unit has been used commercially.

Warranty service is available through your local authorized service dealer or distributor. UNDER NO CIRCUMSTANCES WILL THE RETURN OF A COMPLETE UNIT BE ACCEPTED BY THE FACTORY UNLESS PRIOR WRITTEN PERMISSION HAS BEEN EXTENDED.

SAFETY RULES

Your rotary mower is a precision piece of power equipment, not a plaything. Therefore exercise extreme caution at all times.

1. Remove all sticks, stones, wire and other hazardous items from lawn before mowing. Such items are dangerous to both the mower and individuals in the vicinity of the mower.
2. Always disconnect spark plug cable during repairs or refueling operations.
3. Always start engine from side opposite discharge chute.
4. NEVER place hands or feet under mower or near discharge chute while engine is running.
5. Do not tilt mower at extreme angle while engine is running. Cut grass on hills and banks sideways, not up and down.
6. Always stop engine when not cutting grass.
7. Do not fill gas tank while engine is running. Do not spill gasoline on hot engine.
8. Keep children and pets away from area at all times during mowing operation. Never allow mower to discharge grass toward any person.
9. Do not attempt to start engine while mower is resting in high grass.
10. Check all nuts and bolts, particularly the blade bolts, for tightness. This is especially important during the initial operation period. Make this same check periodically thereafter.
11. While operating the mower, if any foreign object is struck, stop the mower and inspect for damage. Do not restart or operate the mower until all damage has been repaired.

WARNING: Should excessive vibration develop, check your blade and crankshaft immediately. Do not operate mower with an unbalanced blade, a damaged blade or a damaged crankshaft.

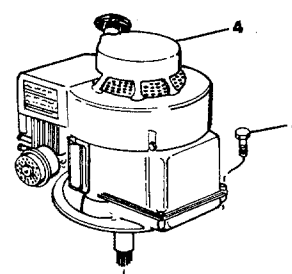
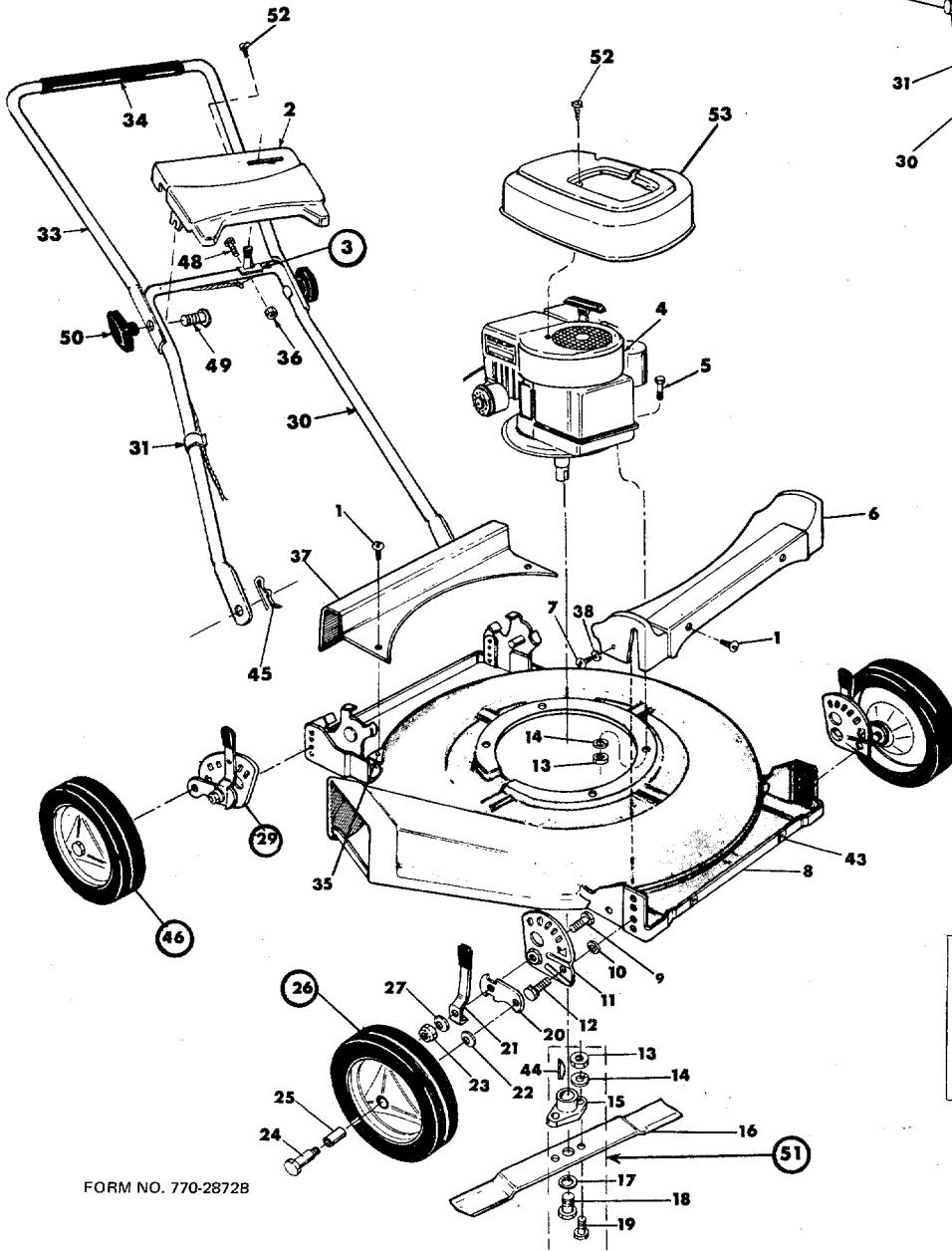
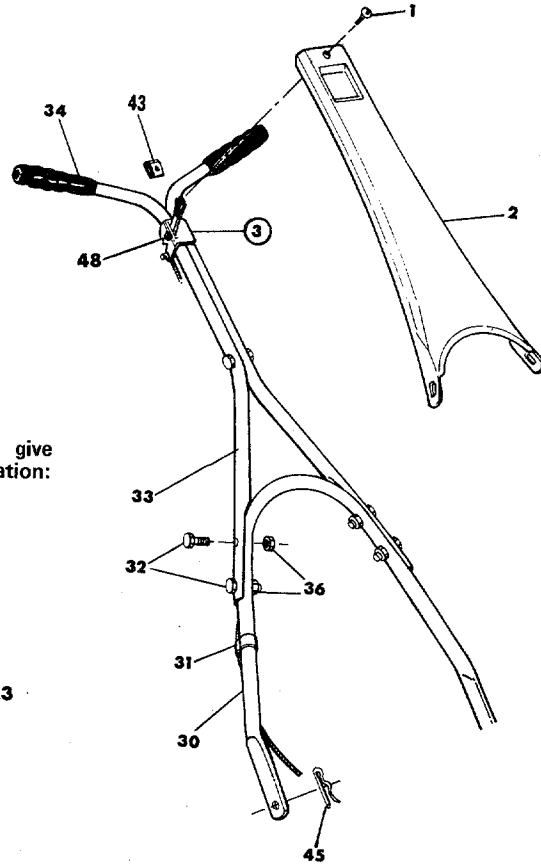
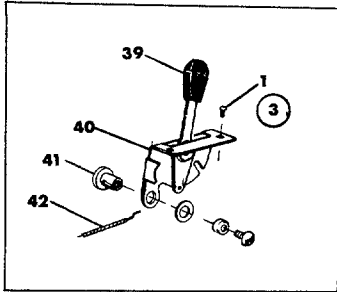
NOTE: This instruction manual covers various models, and all accessories shown do not necessarily apply to your model mower.

If repairs or service is needed on the engine, please contact your nearest authorized engine service outlet. Check the "Yellow Pages" of your telephone book under "Engines - Gasoline."



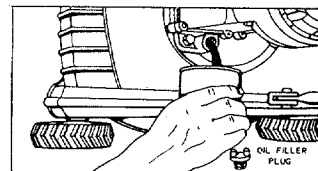
111-800
111-810
111-870
111-880

When ordering parts give the following information:
 1. Model number
 2. Part number
 3. Part name
 4. Color of part



CHANGE OIL (Oil Sump)

Change oil after 5 hours of operation while engine is warm. Thereafter change oil every 25 hours of operation while engine is warm.



PARTS LIST FOR MOWER MODELS 111-800, 810, 870 and 880

Ref. No.	Part No. 111-800	Part No. 111-810	Part No. 111-870	Part No. 111-880	Description
1	710-473	710-473	710-473	710-473	Truss Head Mach. Screw #10-24 x 1/2" Lg. *
2	437-7857	437-9998	437-7857	437-9998	Handle Panel
3	310-8511	310-10033	310-8511	310-10033	Throttle Control - Complete
4	-----	-----	-----	-----	Engine
5	710-158	710-158	710-158	710-158	Hex Hd. Cap Screw 5/16-24 x 1-1/4" Lg. *
6	305-10258	305-10548	305-10259	305-10878	Deck Cover - Front
7	710-386	710-386	710-386	710-386	Hex Hd. Slotted Self-tap Screw #10-32 x 1/4" Lg. *
8	438-10248	438-10248	438-10250	438-10250	Deck Assembly
9	710-362	710-362	710-362	710-362	Hex Bolt Special
10	736-300	736-300	710-300	736-300	Flat Washer *
11	310-10408	310-10408	310-10408	310-10408	Index Plate - R.H.
12	710-209	710-209	710-209	710-209	Sems Hex Hd. Cap Screw 3/8-16 x 5/8" Lg. *
13	712-123	712-123	712-123	712-123	Hex Nut 5/16-24 Thread **
14	736-119	736-119	736-119	736-119	Spring Lockwasher 5/16 Screw **
15	748-189	748-189	748-189	748-189	Blade Adapter **
16	312-7582	312-7582	312-7581	312-7581	Blade
17	736-217	736-217	736-217	736-217	Spring Lockwasher 3/8 Screw Heavy Duty **
18	710-489	710-489	710-489	710-489	Hex Hd. Cap Screw 3/8-24 x 1-1/2" Lg. **
19	710-117	710-117	710-117	710-117	Hex Hd. Cap Screw 5/16-24 x 1" Lg. **
20	310-7492	310-7492	310-7492	310-7492	Pivot Bar
21	310-10530	310-10530	310-10530	310-10530	Spring Lever Ass'y. w/Knob
22	736-105	736-105	736-105	736-105	Belleville Washer *
23	712-116	712-116	712-116	712-116	Elastic Lock Nut 3/8-24 Thread *
24	738-213	738-213	738-213	738-213	Axle Bolt
25	305-7006	NONE	305-7006	NONE	Fortiflex Bearing
	NONE	741-114	NONE	741-114	Ball Bearing
26	502-9392	512-9383	501-9392	513-9383	Wheel Assembly - Front
27	736-105	736-105	736-105	736-105	Belleville Washer *
29	901-10414	901-10414	901-10414	901-10414	Height Adjuster R.H. - Complete
	901-10415	901-10415	901-10415	901-10415	Height Adjuster L.H. - Complete
30	310-9306	310-10009	310-8398	310-10024	Lower Handle
31	746-145	746-128	746-145	746-128	Cable Clip
32	710-106	NONE	710-106	NONE	Hex Head Cap Screw 1/4-20 x 1-1/4" Lg. *
33	310-9364	310-10011	310-9364	310-10011	Upper Handle
34	305-7071	718-143	305-7071	718-143	Grip - Black
35	712-207	712-207	712-207	712-207	Speed Nut
36	712-107	712-107	712-107	712-107	Hex Center Lock Nut 1/4-20 Thread *
37	394-10256	438-10256	394-10255	438-10255	Deck Cover - Rear
38	736-147	736-147	736-147	736-147	Lockwasher 10-32 Screw *
39	305-7470	305-7470	305-7470	305-7470	Knob - Throttle †
40	310-8506	310-9848	310-8506	310-9848	Bracket - Throttle †
41	901-7627	901-7627	901-7627	901-7627	Ferrule Assembly †
42	732-141	732-139	732-141	732-139	Conduit and Wire †
43	712-526	712-526	712-526	712-526	Speed Nut
44	714-365	714-365	714-365	714-365	Hi Pro Key #505 **
45	714-507	714-507	714-507	714-507	Cotter Pin 3/32 Dia. x 3/4" Lg. *
46	501-9392	513-9383	501-9392	513-9383	Wheel Assembly - Rear
47	736-213	736-213	736-213	736-213	Belleville Washer (Height Adj.)
48	710-606	710-606	710-606	710-606	Hex Hd. Cap Screw 1/4-20 x 1-1/2" Lg. *
49	NONE	710-405	NONE	710-405	Curved Head Screw 5/16-18 x 1-3/4" Lg.
50	NONE	394-9966	NONE	394-9966	Hand Knob
51	901-10769	901-10769	901-10769	901-10769	Blade Adapter Kit - Less Blade
52	NONE	710-407	NONE	710-407	Slot Hex Hd. Ex. Screw #8-32 x 1/2" Lg. *
53	NONE	437-10877	NONE	437-10877	Engine Shroud

* For faster service obtain standard nuts, bolts, and washers locally. If these items cannot be obtained locally, order by part number and size as shown on the parts list.

† Part of Throttle Control - Complete (310-8511) and (310-10033)

** Part of Blade Adapter Kit - Complete - Less Blade (901-10769)

ASSEMBLY INSTRUCTIONS

ASSEMBLY - Optional handle

Your new mower is shipped completely assembled with the exception of the handle and throttle control assembly.

1. Remove lawn mower and all parts from carton. Make certain that all loose parts and literature are removed from carton before carton is discarded.
2. Extend throttle control assembly, which is attached to engine, to rear of mower and place on floor. **CAUTION:** Do not bend or kink control wire.
3. Assemble upper handle to lower handle using four each screws and lock nuts provided in parts bag.
4. Assemble complete handle assembly to mower so that throttle control mounting hole in upper handle will be on right side. Holes at bottom of lower handle are to be fitted over studs located in front of each rear wheel mounting position.
5. Position throttle control assembly on right hand side of upper handle so that holes in control assembly and handle are in line. Secure in place with screw and lock nut found in parts bag. Secure throttle wire to lower right handle tube with clips in parts bag.
6. Place the plastic control cover over the throttle control and secure with two self-tapping screws.

OPERATION

NOTE: For shipping purposes your mower is set with the wheels in a low cutting height position. For best results, raise the cutting position until it is determined which height is best for your lawn. See adjustments.

1. Service engine with gas and oil. See Engine Manual packed with lawn mower for complete instructions for the care and maintenance of engine. **READ DIRECTIONS CAREFULLY.**
2. When ready to start engine, place throttle control lever in "START" position and start engine in accordance with instructions in Engine Manual. After engine starts, move throttle control lever to desired engine speed. The engine is stopped by placing control lever in the "STOP" position.
3. Be sure that lawn is clear of stones, sticks, wire or other objects which could damage lawn mower or engine. For best results and to insure more even grass distribution, do not mow when lawn is excessively wet.
4. Check blade bolts for proper tightness.

ADJUSTMENTS

CAUTION: Do not at any time make any adjustment to lawn mower without first stopping engine and disconnecting spark plug wire.

CUTTING HEIGHT - An adjusting plate and thumb lever at each wheel position provides cutting height adjustment. Each adjusting plate has five holes. Height of cut will be changed when the thumb lever is moved from one hole to another. Simply depress thumb lever towards wheel and move wheel and lever assembly to desired position. Cutting height will be raised as lever is moved toward front and lowered as lever is moved toward rear. All wheels must be positioned in relative height of cut positions.

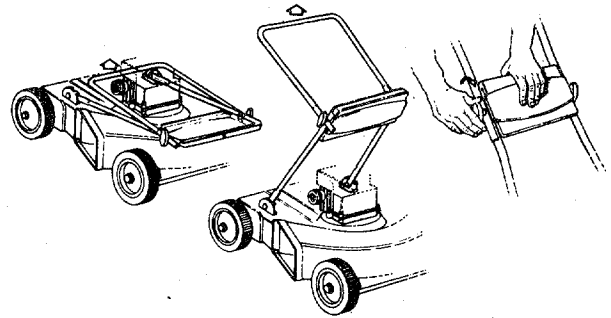
THROTTLE - If adjustment becomes necessary, the throttle control wire assembly can be reset as follows:

1. Loosen, but do not remove, screw securing throttle control wire assembly at engine.
2. Move throttle control lever on handle to "FAST" position.
3. Move lever, to which control wire is fastened at engine, to full open position and retighten screw to secure throttle control wire assembly.

LUBRICATION

IMPORTANT: Always stop engine and disconnect spark plug wire before cleaning, lubricating or doing any kind of work on lawn mower.

FORM NO. 770-2872D



WHEELS: Wheel bearings are of lifetime Fortiflex. They require no lubrication (800 and 870 models). Models 810, 880 lubricate periodically bearings on wheels.

THROTTLE: Periodically lubricate throttle control lever and throttle wire assembly with a few drops of light oil (S.A.E. No. 10 or 20) for ease of operation.

ENGINE: Follow Engine Manual for lubrication instructions.

MAINTENANCE

CUTTING BLADE - The blade may easily be removed for grinding or replacement as follows:

1. Remove bolt and lock washer holding blade and hub assembly to engine crankshaft.
2. Remove blade and hub assembly from engine crankshaft.
3. Remove two bolts, lock washers and nuts holding blade to blade hub.

When sharpening blade, follow the original angle of grind as a guide. It is extremely important that each cutting edge receives an equal amount of grinding to prevent an unbalanced blade. An unbalanced blade will cause excessive vibration when rotating at high speeds and may cause damage to the mower.

Upon reassembly, make certain all parts are assembled properly and tightened securely.

DECK - The underside of mower deck should be cleaned after each period of use as grass clippings, leaves, dirt and other matter will accumulate. This accumulation of grass clippings, etc. is undesirable as it will invite corrosion and may cause an uneven discharge of grass clippings at the next cutting.

The deck may be cleaned by tilting the mower forward or on its left side and scraping clean with a suitable tool or by washing with a stream of water from a garden hose. **CAUTION:** Do not direct the stream of water at a hot engine as damage to the engine may result.

STORAGE - The following steps should be taken to prepare lawn mower for storage.

1. Clean and lubricate mower thoroughly as described in the preceding instructions.
2. Refer to Engine Manual for correct engine storage instructions.
3. Coat mower's cutting blade with chassis grease to prevent rusting.
4. Place blocks under deck to raise tires clear of floor.
5. Store mower in a dry, clean area.

USING YOUR MOWER

For best results, do not cut wet grass because it tends to stick to underside of the mower thus preventing proper discharge of grass clippings. If wet grass must be cut, reduce engine speed and walking speed to help distribute the clippings more effectively.

New grass should be treated as wet grass, otherwise a normal walking speed is about the right pace for efficient mowing... The best mowing pattern is one that allows the clippings to discharge towards the uncut part of the lawn. This permits recutting of the clippings to further pulverize them. When cutting high weeds, discharge towards cut portion, then recut at right angles to first direction.

Lawn should be cut in the fall as long as there is growth.

PRINTED IN U.S.A.