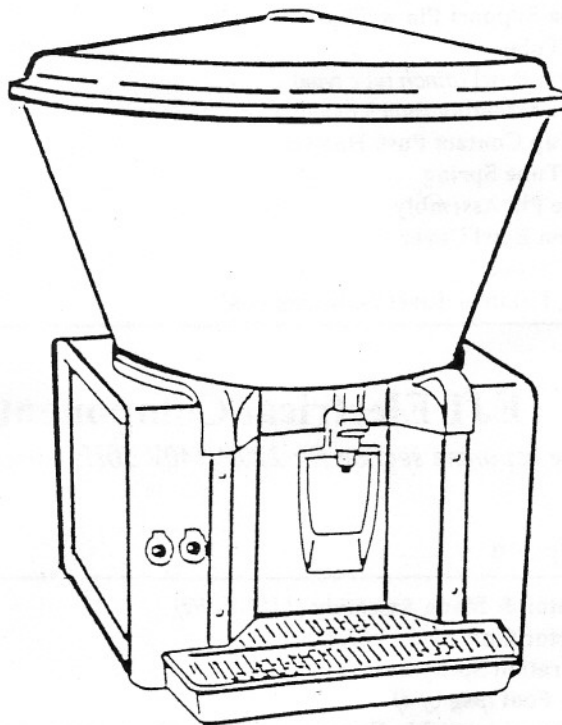


JET SPRAY

PARTS LIST
FOR
VISUAL DISPLAY DISPENSER



MODEL
EJ1

*This manual applies
to serial number
305571 and higher*

Refrigerant R134a

Manufactured by IMI Cornelius/Jet Spray
101 Regency Drive, Glendale Heights IL 60139
Phone: 1-800-238-3600 Fax: 800-258-0255

August 1995
Printed in the U.S.A.

Document No. 18489
Revision No. 02

EJ1

Replacement Parts List

Be sure to give dispenser serial and model number when you order replacement parts.

EJ1 Bowl Components

Item#	Part#	Description
1	S2722	Spray Tube
2	S2721	Impella Assembly (beige) ¹³ / ₃₂ " circulation hole
3	A3058	Impella & Support Pin
4	A2549	Impella Support Pin w/Clip
5	S4206	Pinch Tube
6	S4467	8 Gallon Bowl (pinch tube type)
7	S4381	Handle Assembly (pinch tube type)
	S6469	Non-Cup Contact Push Handle
8	S4363	Pinch Tube Spring
9	S3150	Handle Pin Assembly
10	S2498	8 Gallon Bowl Cover
11	S1717	Bowl Gasket
12	S4576	Spring Retainer Rivet Only (pkg of 6)

EJ1 Electrical Components

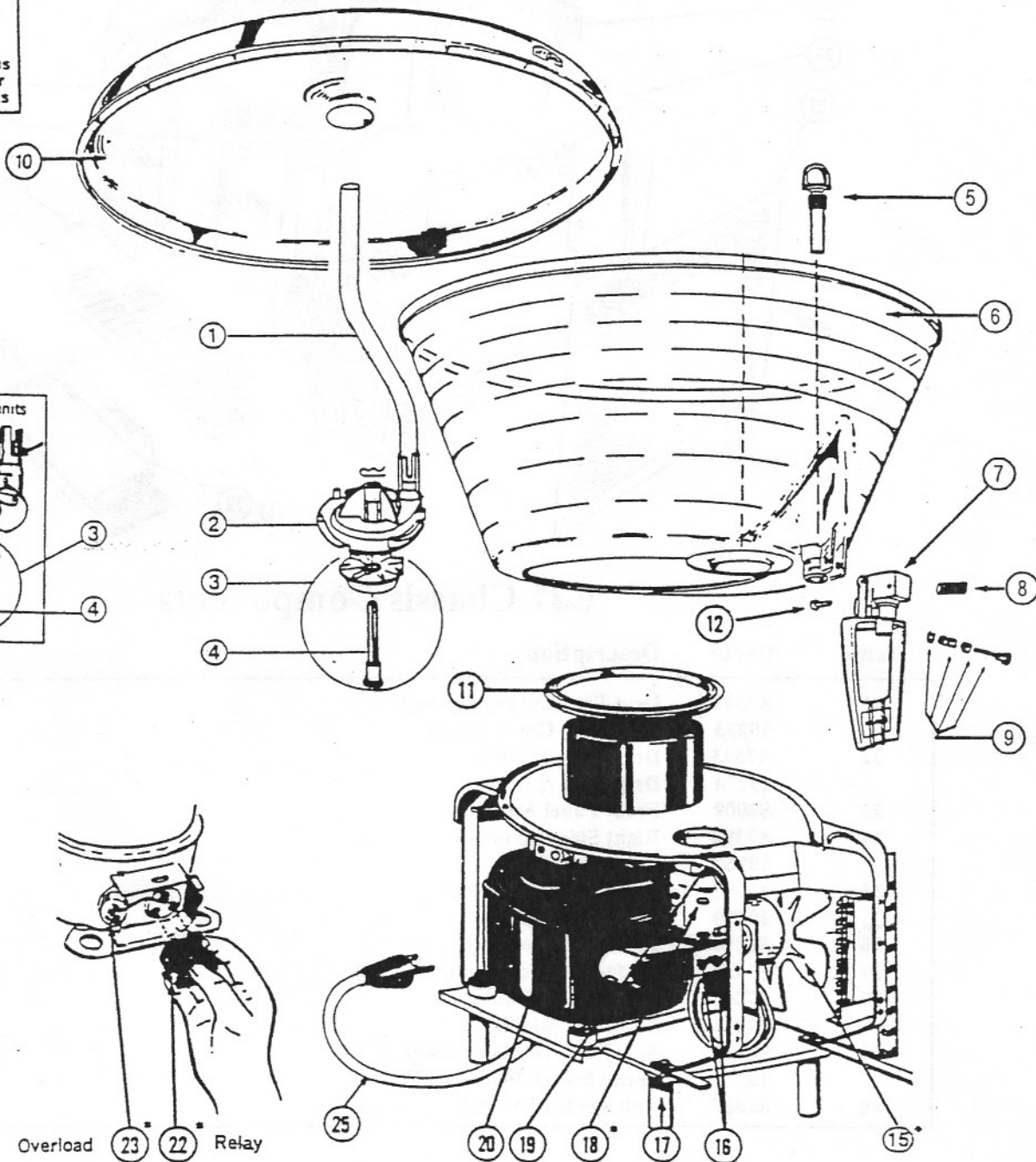
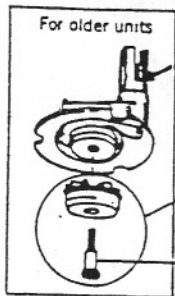
(see separate section for 220V/240V 50Hz components)

Item#	Part#	Description
15	S2883	Fan Motor & Blade Assembly (115V/60Hz)
	S1630	Fan Motor Only (115V/60Hz)
16	S3004	Refrigeration Spray Switch
17	A0081	Rubber Foot (pkg of 4)
18	S3357	Spray Drive Assembly Complete (includes fan assembly & mounting bracket) (115V/60Hz)
19	S6750	Magnet Assembly Only (for spray drive) (below s/n 318212)
		Magnet Assembly - Morrill Motor (for spray drive) (s/n 318212 & above)
20	S2747	Temperature Control
22	18368	Relay 9660-042-166 (115V 60Hz)
	3887	Relay (for Serial #339669 and above)
23	S2828	Overload MRP-26ALL 69 (115V 60Hz)
	18370	Overload (for Serial #339669 and above)
25	S1249	Power Cord (domestic & W16 only)

EJ1

Replacement Parts List

Be sure to give dispenser serial and model number when you order replacement parts.

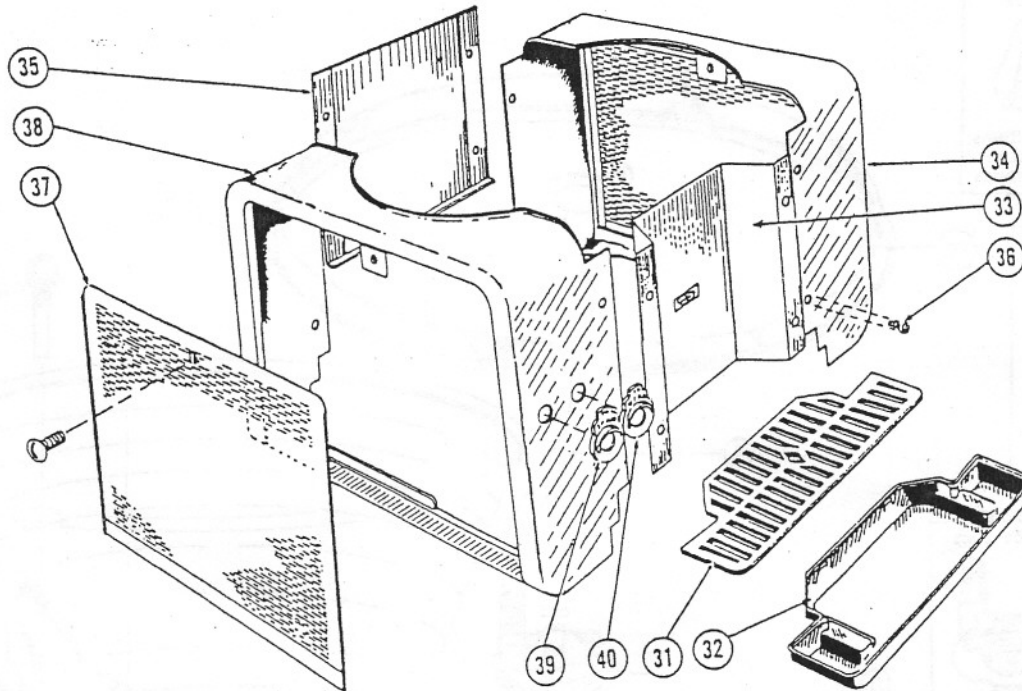


*See alternate 220V/240V 50Hz Parts Listing

EJ1

Replacement Parts List

Be sure to give dispenser serial and model number when you order replacement parts.



EJ1 Chassis Components

Item#	Part#	Description
31	A7342	Drip Tray Cover (std white)
	19273	Drip Tray Cover (black)
32	A7343	Drip Tray (std white)
	19274	Drip Tray (black)
33	S2009	Front Panel Assembly
34	A7304	Right Side (std white)
	19269	Right Side (black)
35	A7291	Rear Panel (std white)
	19270	Rear Panel (black)
36	S1150	Cabinet Screws (pkg of 12)
37	S3430	Perforated Side (screw fastened)
38	A7288	Left Side (std white)
	19268	Left Side (black)
39	S2836	Spray Switch Plate (white)
	19271	Spray Switch Plate (black)
40	S2837	Refrigeration Switch Plate (white)

All prices and specifications are subject to change without notice.

Jet Spray dispensers are manufactured under a number of U.S. and Foreign Patents. Any infringement or imitation of this equipment will be vigorously prosecuted.

Your Standard of Excellence for Beverage Merchandising on Six Continents

JET SPRAY