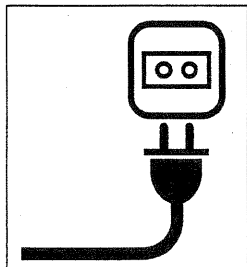
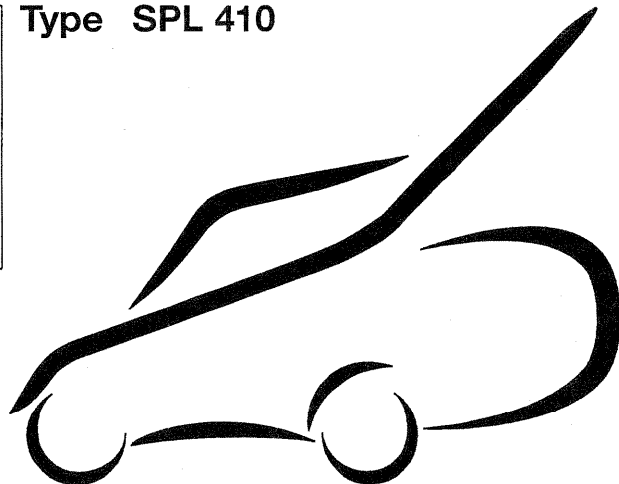


171505290/1



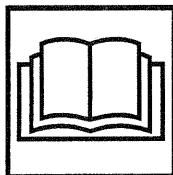
Type SPL 410



EN LAWN MOWER - OPERATOR'S MANUAL



BE01



GGP ITALY SPA

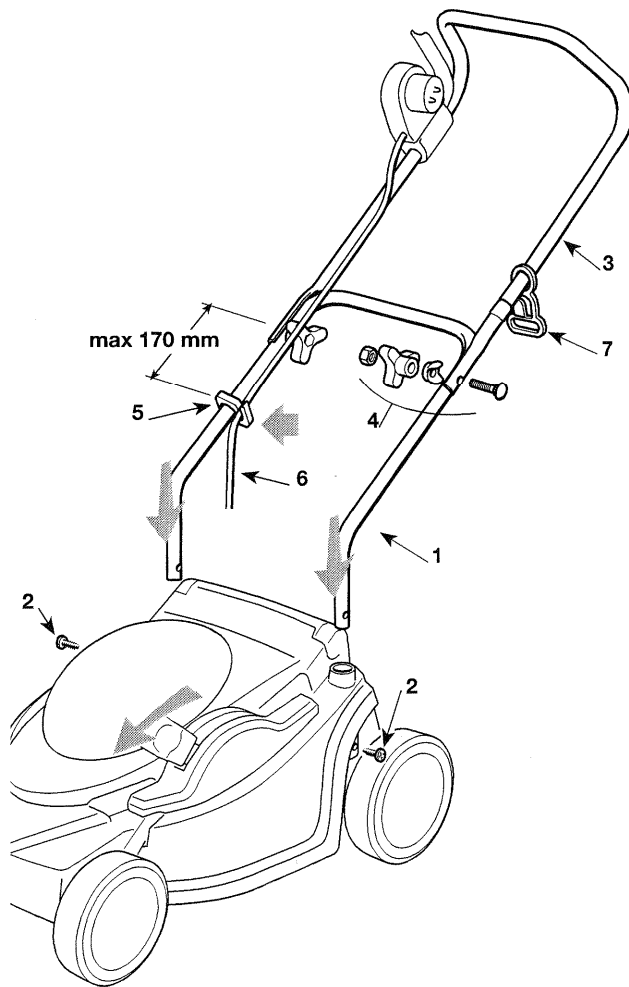
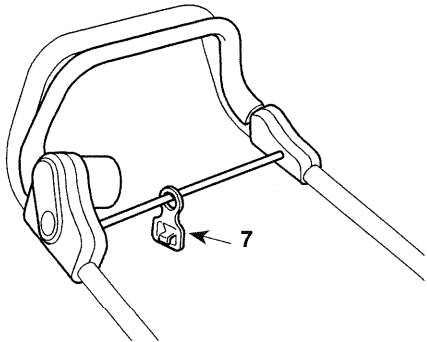
Via del Lavoro, 6

I-31033 Castelfranco Veneto (TV) ITALY

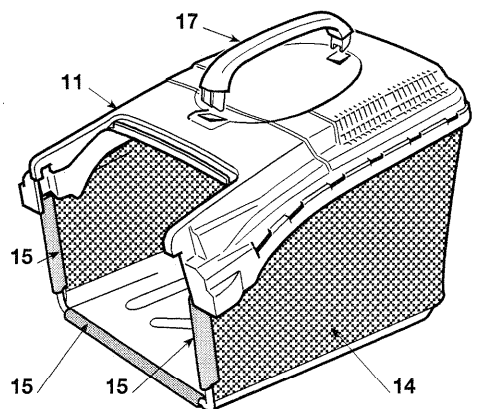
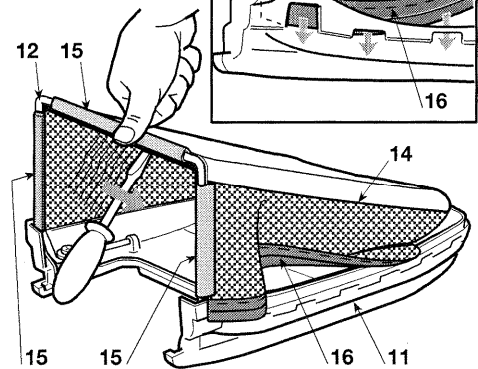
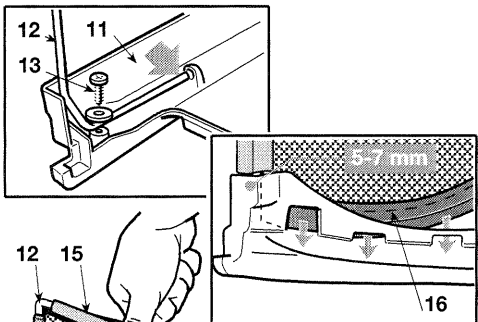


Mountfield EL410 ~ 2007 Electric Lawnmower

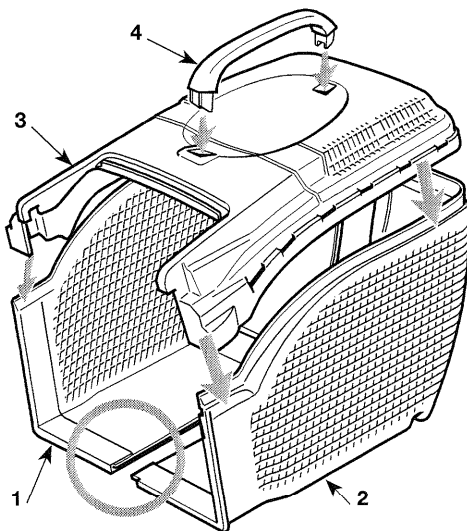
1.1

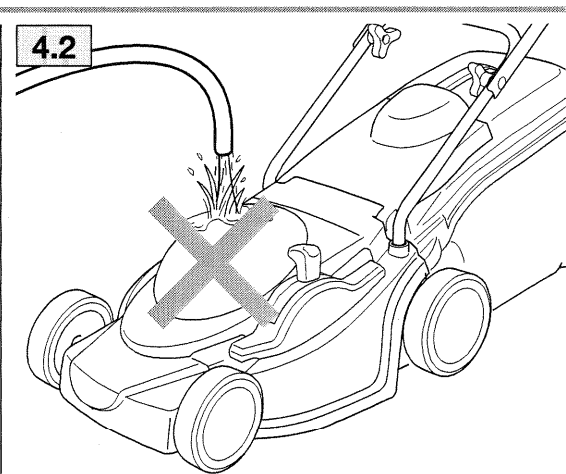
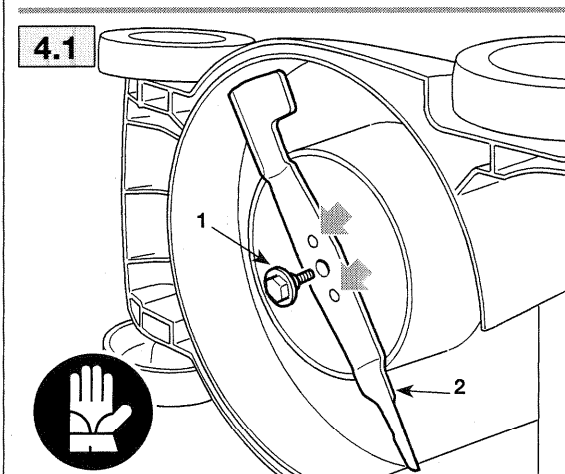
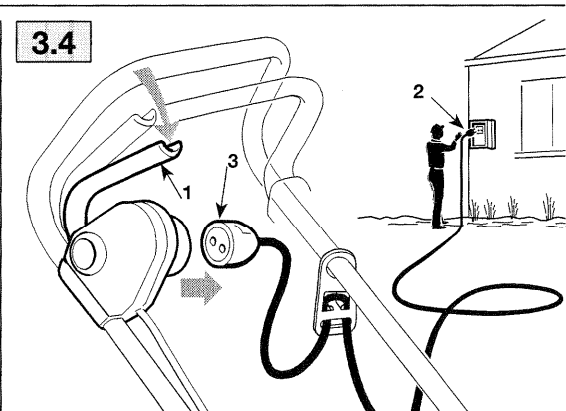
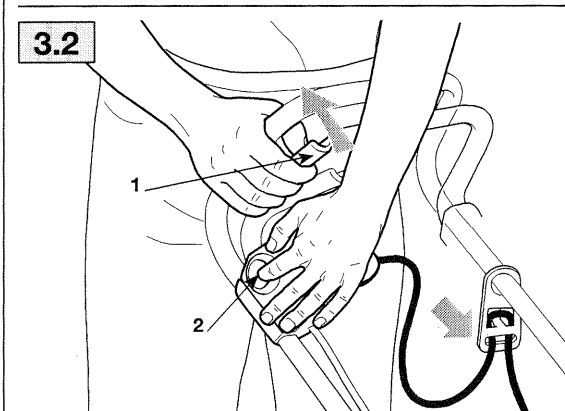
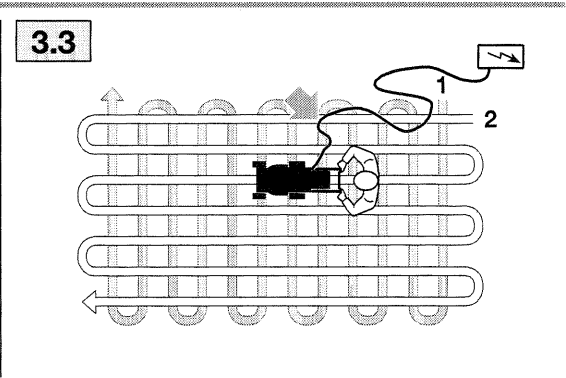
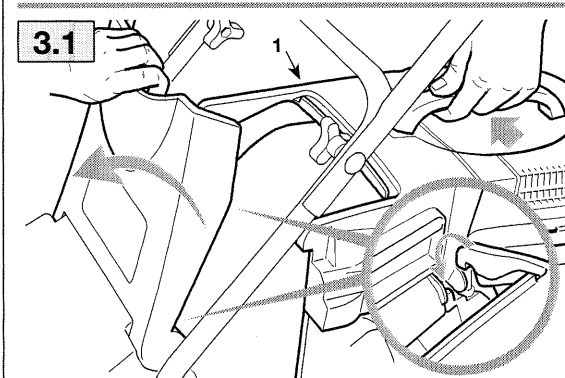
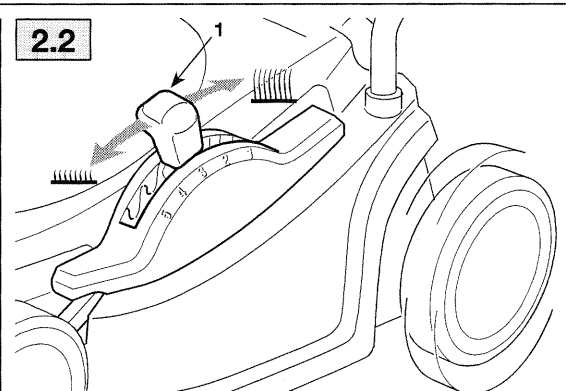
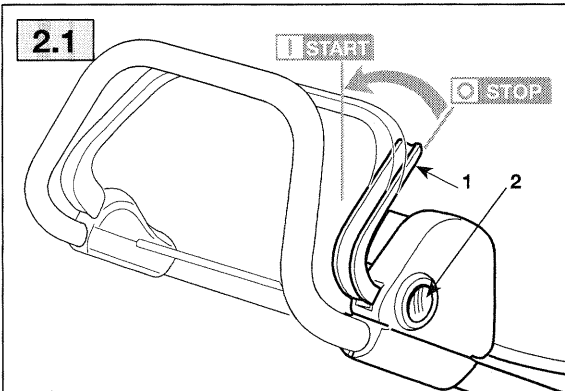


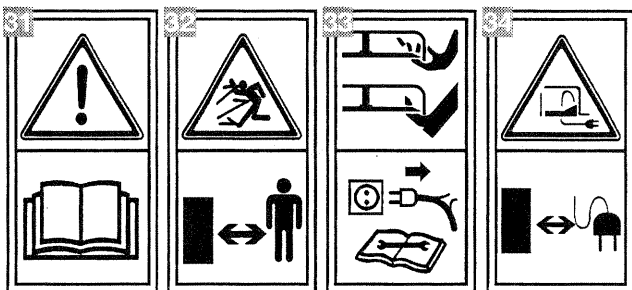
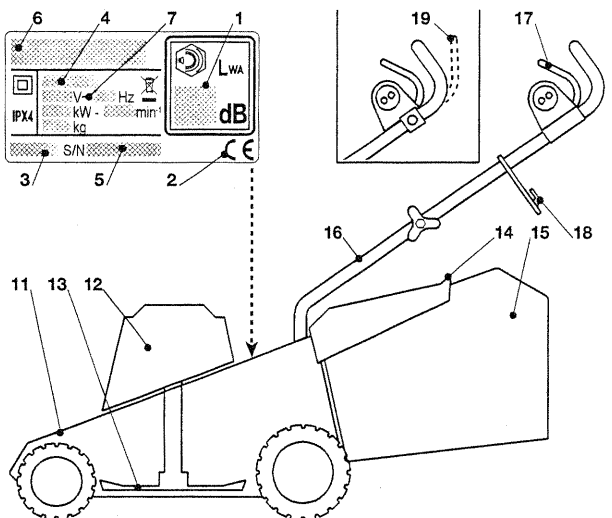
1.2b



1.2a








EN

IDENTIFICATION LABEL AND MACHINE COMPONENTS

1. Acoustic power level according to EEC directive 2000/14/CE
2. Mark of conformity according to EEC directive 98/37
3. Year of manufacture
4. Lawnmower type
5. Serial number
6. Name and address of Manufacturer
7. Supply voltage and frequency

As soon as you have purchased the machine, do not forget to write the identification numbers (3 - 5 - 6) in the spaces provided on the last page of the manual.

11. Chassis 12. Motor 13. Blade 14. Stone-guard 15. Grass-catcher 16. Handle 17. Motor switch 18. Electric cable hook 19. Drive engagement lever

 Do not dispose of electric equipment together with household waste material! In observance of European Directive 2002/96/EC on waste electrical and electronic equipment and its implementation in accordance with national law, electric equipment that have reached the end of their life must be collected separately and returned to an environmentally compatible recycling facility. If electrical appliances are disposed of in landfills or dumps, hazardous substances can leak into the groundwater and get into the foodchain, damaging your health and well-being. For further information on the disposal of this product, please contact your dealer or your nearest domestic waste collection service.

DESCRIPTION OF THE SYMBOLS SHOWN ON THE CONTROLS (where present)

21. Off 22. On 23. Transmission engaged

SAFETY REQUIREMENTS - Your lawnmower should be used with due care and attention. Symbols have therefore been placed on various parts of the machine to remind you of the main precautions to be taken. Their full meanings are explained later on. You are also asked to carefully read the safety regulations in the applicable chapter of this handbook.

31. **Important:** Read the instruction handbook before using the machine..
32. **Danger of thrown objects.** Keep other people at a safe distance whilst working..
33. **Beware of sharp blades:** Remove plug from mains before maintenance or if cord is damaged
34. **Important:** keep the power supply cable away from the blade.

EN SAFETY REGULATIONS TO BE FOLLOWED CAREFULLY

A) TRAINING

- 1) **Read the instructions carefully.** Get familiar with the controls and the proper use of the equipment. Learn how to stop the engine quickly.
- 2) **Only use the lawnmower for the purpose for which it was designed, i.e. for cutting and collecting grass.** Any other use can be hazardous, causing injury or damage to people and/or property.
- 3) Never allow children or people unfamiliar with these instructions to use the lawnmower. Local regulations may restrict the age of the operator.
- 4) **Never use the lawnmower:**
 - When people, especially children, or pets are nearby;
 - If the operator has taken medicine or substances that can affect his ability to react and concentrate.
- 5) Remember that the operator or user is responsible for accidents or hazards occurring to other people or their property.

B) PREPARATION

- 1) **While mowing, always wear sturdy footwear and long trousers. Do not operate the equipment when barefoot or wearing open sandals.**
- 2) Thoroughly inspect the area where the equipment is to be used and remove all objects which may be thrown by the machine or damage the cutter assembly and the engine (stones, sticks, metal wire, bones, etc.).
- 3) Before use, always inspect the machine, especially the condition of the blades, and check that the screws and cutting assembly are not worn or damaged. Replace worn or damaged blades and screws in sets to preserve balance.
- 4) **Before mowing, attach the discharge opening guards (grass-catcher or stone-guard).**
- 5) **WARNING: DANGER! Damp and electricity do not go together:**
 - cables must be handled and wired when dry
 - never allow contact between an electric socket or cable with a wet area (puddles or damp grass);
 - connections between cables and sockets must be of the waterproof type. Only use extension cables with moulded-on waterproof or approved sockets available commercially.
 - power the machine using a residual current device (RCD Residual Current Device) with max. 30 mA tripping current.
- 6) The power supply cables must not be of lower quality than the **H05RN-F** or **H05VV-F** type with minimum cross-section size of 1.5 mm² and max. 25 m long.
- 7) Attach the cable onto the cable clamp before starting the machine.
- 8) **The permanent wiring of any electrical device to the mains must be carried out by a qualified electrician, in accordance with electrical regulations in force. Incorrect wiring may cause severe injury or death.**

C) OPERATION

- 1) Mow only in daylight or good artificial light.
- 2) **Avoid operating the equipment on wet grass or in the rain.**
- 3) **Never go over the electric cable with the lawnmower.** While cutting, the cable should always be pulled behind the lawnmower and always from the area of grass already cut. Use the cable clamp as described in this manual to prevent the cable from disconnecting by accident. Ensure that it is properly inserted without forcing into the power socket.
- 4) **Never pull the lawnmower by its power cable or pull the cable to remove the plug.** Do not expose the cable to sources of heat or let it come in contact with oil, solvents or sharp objects.
- 5) Always be sure of your footing on slopes.
- 6) Walk, never run and do not allow yourself to be pulled along by the lawnmower.
- 7) Mow across the face of slopes, never up and down.
- 8) Exercise extreme caution when changing direction on slopes.

- 9) Do not mow on slopes that are too steep.
- 10) Exercise extreme caution when pulling the lawnmower towards you.
- 11) Stop the blade if the lawnmower has to be tilted for transportation when crossing surfaces other than grass, and when transporting the lawnmower to and from the area to be mowed.
- 12) Never operate the lawnmower with defective guards, or without safety devices, such as the stone-guard and/or grass-catchers, in place.
- 13) On power-driven models, disengage the drive clutch before starting the engine.
- 14) Start the engine carefully, following the instructions and keeping feet well away from the blade.
- 15) Do not tilt the lawnmower when switching on the engine unless it is strictly necessary for start-up. In this case, do not tilt it more than is strictly necessary and only lift the part furthest away from the operator. Check that both hands are positioned correctly before lowering the lawnmower.
- 16) **Do not put hands or feet near or under rotating parts.** Keep clear of the discharge opening at all times.
- 17) Never pick up or carry a lawnmower while the engine is running.
- 18) **Stop the engine and disconnect the power supply cable:**
 - before carrying out any work underneath the cutting deck or before unclogging the chute;
 - before checking, cleaning or working on lawnmower;
 - after striking a foreign object. Inspect the lawnmower for damage and make repairs before restarting and operating the lawnmower;
 - if the lawnmower starts to vibrate abnormally, find and remove the cause of the vibration immediately;
 - whenever you leave the lawnmower unattended.
- 19) **Stop the engine:**
 - every time you remove or replace the grass-catcher.
 - before adjusting the grass cutting height.
- 20) When mowing, always keep to a safe distance from the rotating blade. This distance is the length of the handle.

D) MAINTENANCE AND STORAGE

- 1) Keep all nuts, bolts and screws tight to be sure the equipment is in safe working condition. Regular maintenance is essential for safety and performance.
- 2) To reduce the fire hazard, keep the lawnmower, especially the engine, free of grass, leaves, or excessive grease. Do not leave containers with grass cuttings in rooms.
- 3) Check the stone-guard and grass-catcher frequently for wear and deterioration.
- 4) **Periodically check the electric cables and replace them if they are damaged or if the insulation has been damaged.** Never touch a badly insulated cable if it still connected to the power supply. Remove the cable from the socket before taking any action.
- 5) Wear strong work gloves when removing and reassembling the blade.
- 6) **Keep the blade balanced during sharpening.** All operations on the blade (dismantling, sharpening, balancing, remounting and/or replacing) require a certain familiarity and special tools. For safety reasons, these jobs are best carried out at a specialized centre.
- 7) **For reasons of safety, do not use the equipment with worn cables or damaged parts. Parts are to be replaced and not repaired. Use genuine spare parts (blades should always bear the symbol Δ). Parts that are not of the same quality can damage the equipment and be dangerous for your safety.**

E) TRANSPORTATION AND HANDLING

- 1) Whenever the machine is to be handled, raised, transported or tilted you must:
 - wear strong working gloves;
 - grasp the machine at the points that offer a safe grip, taking account of the weight and its distribution.
 - use an appropriate number of people for the weight of the machine and the characteristics of the vehicle or the place where it has to be placed or collected.

EN STANDARDS OF USE

1. FINISH ASSEMBLY

NOTE – The machine can be supplied with some of the components already fitted.

1.1 Put the cutting height adjustment lever into position "5".

Insert into the holes on the chassis the lower part of the handle (1) and lock into position with the screws (2) provided, paying attention to screw them in correctly and fully. Attach the upper part of the handle (3) to the lower part (1) using the knobs (4) and the screws provided, as indicated. Attach the cable clamp (5) in the indicated position to fasten the cable (6).

The correct position of the cable hook (7) is as shown.

1.2a For a rigid grass-catcher: Join the two lateral components (1) and (2) of the grass-catcher, then fit the upper part (3) by fixing all the outer bars correctly. Fit the handle (4) onto the top of the grass-catcher so that it clicks into place.

1.2b For a plastic and cloth grass-catcher: With the plastic part (11) upside-down, fasten the frame (12) to the plastic part using the screws (13). Insert the frame (12) into the sack (14) and attach the plastic profile (15) with the help of a screwdriver, as shown in the drawing.

Fit the edge of the cloth (16) right into the groove of the plastic part (11), starting 5-7 mm from the ends.

Fit the handle (17) onto the top of the grass-catcher so that it clicks into place.

2. DESCRIPTION OF CONTROLS

2.1 The engine is controlled by a dual action switch to prevent starting it accidentally. To start, press the button (2) and pull the lever (1). The engine automatically stops when the lever (1) is released.

2.2 The height is adjusted using the special lever (1). **MAKE THIS ADJUSTMENT ONLY WHEN THE BLADE IS STOPPED.**

3. GRASS CUTTING

WARNING – This machine must always be used with the grass-catcher fitted properly.

3.1 Lift the stone-guard and attach the grass-catcher (1) correctly as shown in the drawing.

3.2 Connect the extension cable correctly as indicated. Start the engine by pressing the safety push-button (2) and pulling the switchgear lever (1).

3.3 While cutting, ensure that the electric cable is always behind you and on the area of grass already cut. The lawn will look better if it is always cut to the same height and in alternate directions.

3.4 When you have finishing mowing, release the lever (1). **FIRST** disconnect the cable extension from the supply socket (2) and **THEN** from the side of the lawnmower's switchgear (3).

WAIT FOR THE BLADE TO STOP before carrying out any type of work on the machine.

IMPORTANT NOTE

Should the motor stop during use through overheating, wait about 5 minutes before re-starting.

4. ROUTINE MAINTENANCE

IMPORTANT – Regular, careful maintenance is essential for keeping the safety level and original performance of the machine unchanged in time.

Store the lawnmower in a dry place.

- 1) Wear strong working gloves during any cleaning, maintenance or adjustment operation on the machine.
- 2) Remove the grass debris after each cut and mud accumulated inside the chassis to avoid their drying and thus making the next start-up difficult.
- 3) Always ensure that ventilation openings are kept clear of debris.


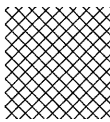
4.1 All operations on the blade should be carried out at a specialized centre.

Note for specialized centres: Reassemble the blade (2) as shown in the drawing and tighten the central screw (1) using a torque wrench set to 16-20 Nm.

4.2 Do not use forced water and avoid wetting the motor or the electrical components. Do not use harsh products for cleaning the chassis.

Should you have any doubts or problems, do not hesitate to contact your nearest Service Centre or your Dealer.



	LWA
	dB
CE	

Model:

Type:

(Year) S/N^o

Realizzazione: EDIPROM - Bergamo

© by GGP ITALY SPA

• Sujet à des modifications sans aucun préavis • Subject to modifications without notice • Kann ohne Vorankündigung geändert werden • Soggetto a modifiche senza preavviso • Kan zonder kennisgeving wijzigingen ondergaan • Sujeto a modificaciones sin previo aviso • Sujeito a alterações sem aviso prévio • Υπόκειται σε αλλαγές χωρίς προειδοποίηση • Önceden haber verilmeksizin değiştirilebilir • Подлежи на промени без претходно известување • Kan endres uten forvarsel • Kan utsättas för modifieringar utan att detta meddelas • Ret til ændringer forbeholdes • Voidaan tehdä muutoksia ilman ennakoilmoitusta • Možnost změn bez předešlého upozornění • Poddawany modyfikacjom bez awizowania • Előzetes értesítés nélkül módosítható • Может быть изменено без предварительного уведомления • Podložno promjenama bez prethodne obavijesti • Lahko pride do sprememb brez predhodnega obvestila • Moguće su promjene bez najave • Možnosť zmien bez predošlého upozornenia • Poate fi modificat, fără preaviz • Objekto pakeitimai be perspėjimo • Var tikt mainīts bez iepriekšēja brīdinājuma • Podložno izmenama bez upozorenja • Подлежи на промени без предупреждение • Võimalikud muudatused ilma ette teatamata