

Mountfield

4135H - 4155H - 4155 H 4WD

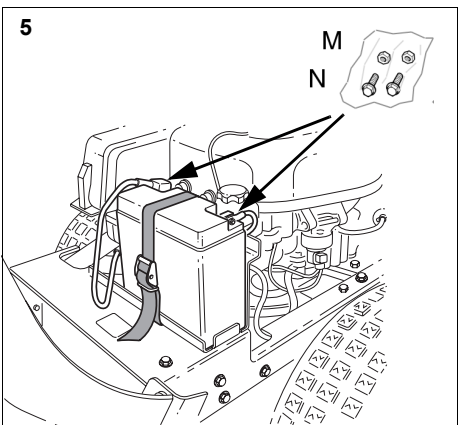
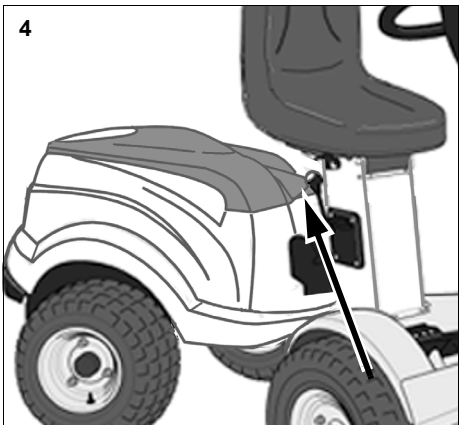
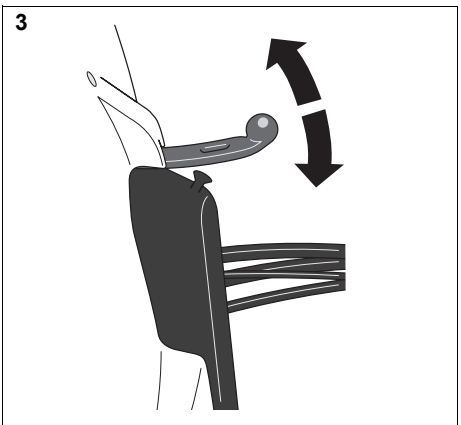
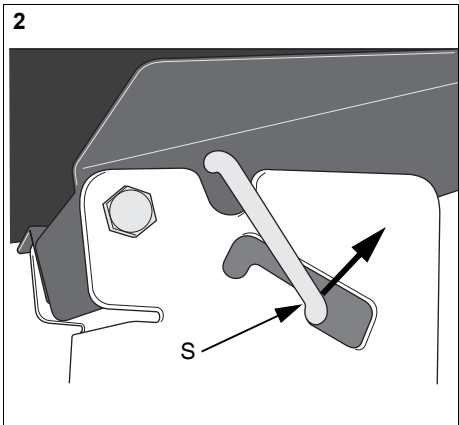
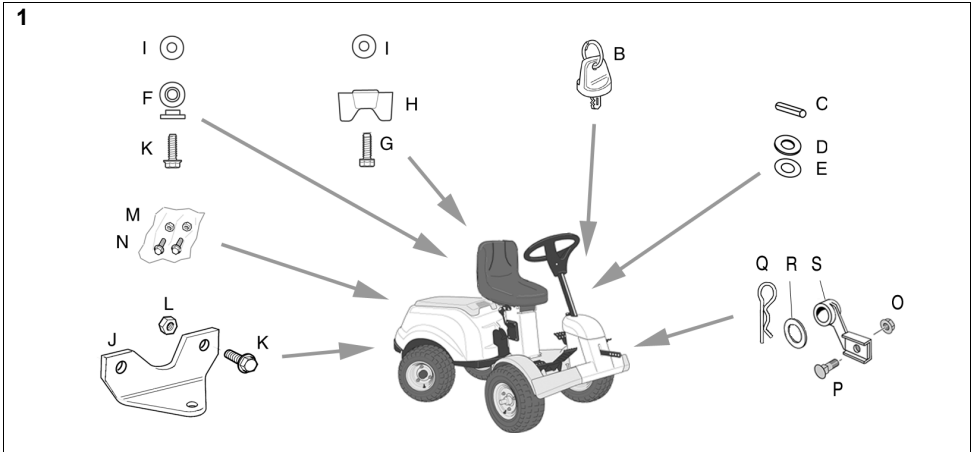


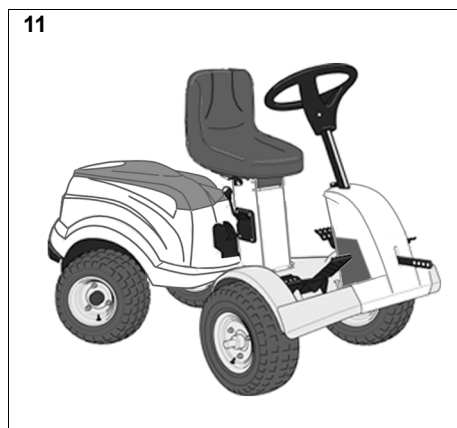
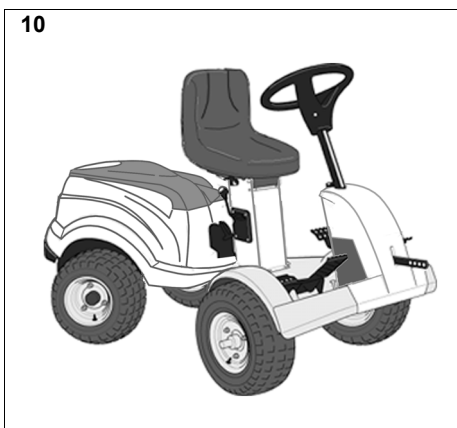
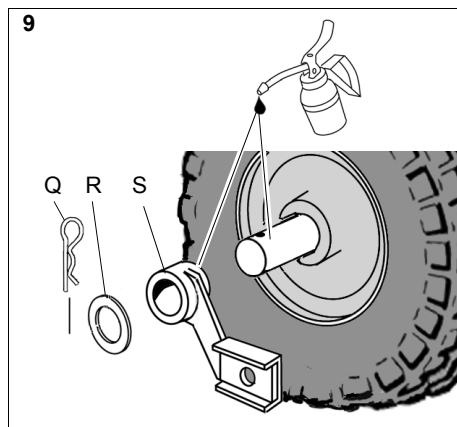
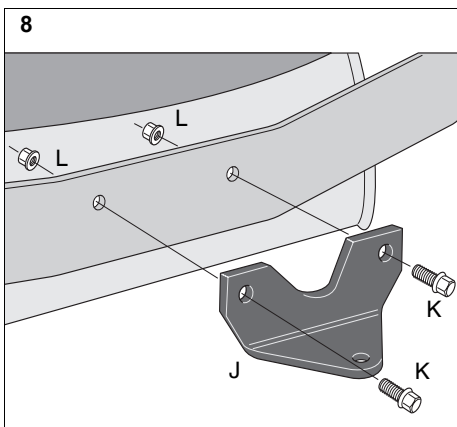
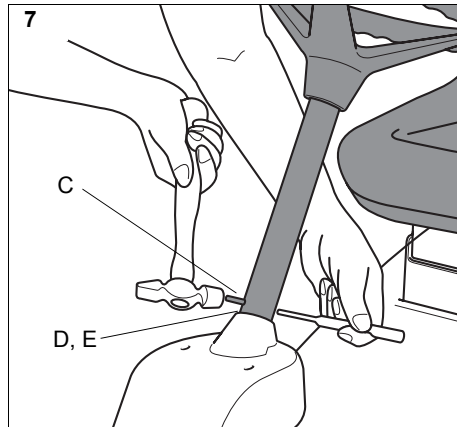
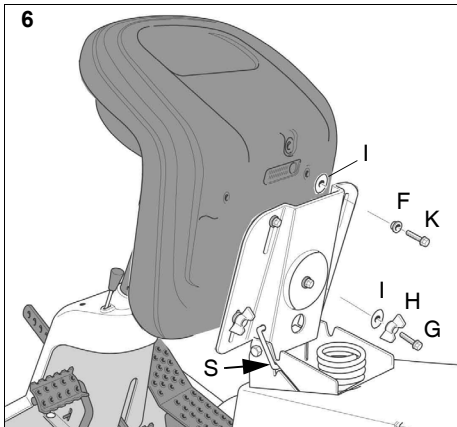
INSTRUCTIONS FOR USE EN.....7

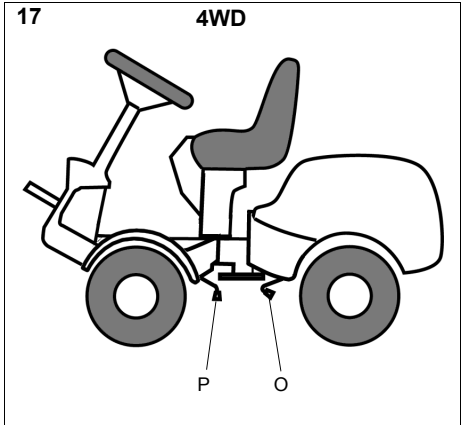
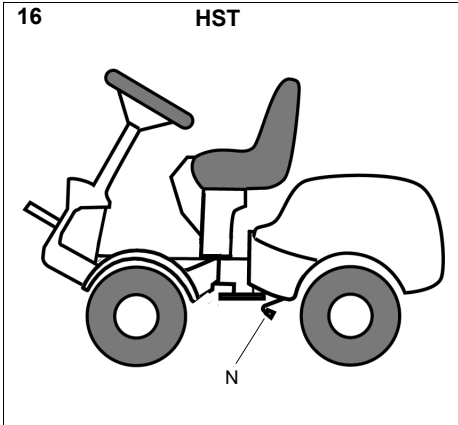
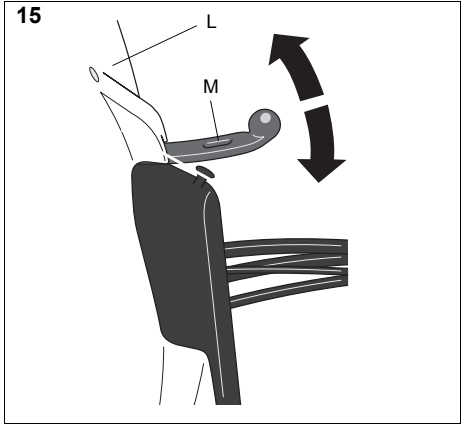
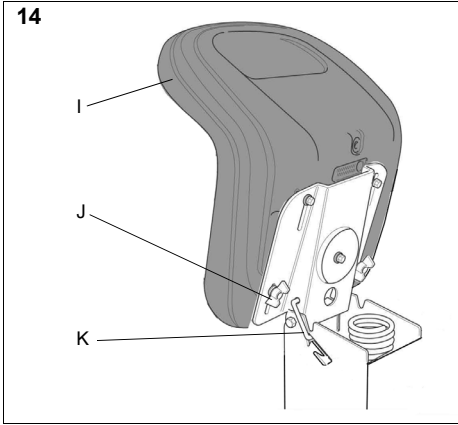
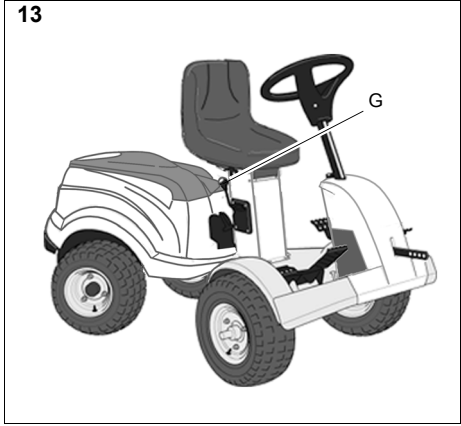
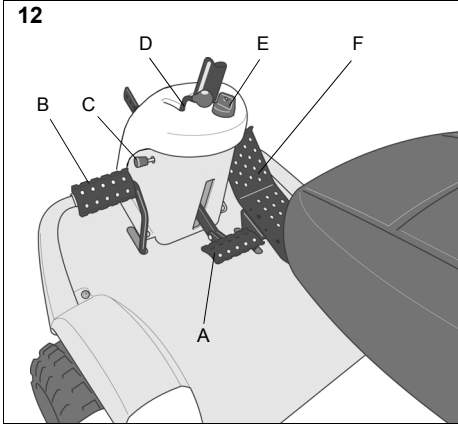
MODE D'EMPLOI FR... 20

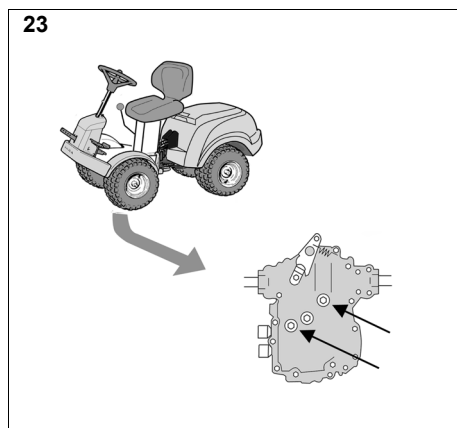
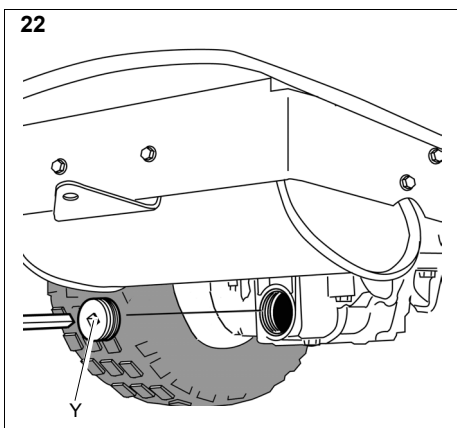
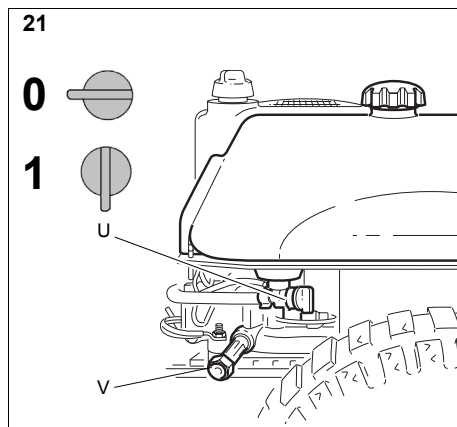
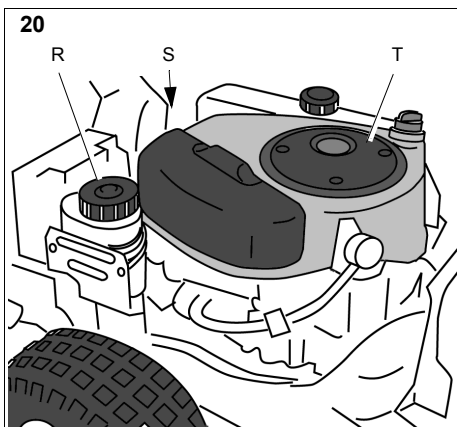
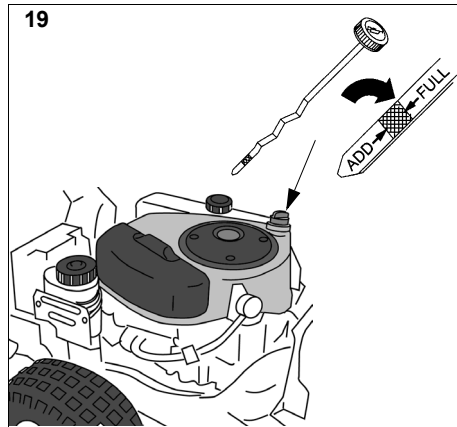
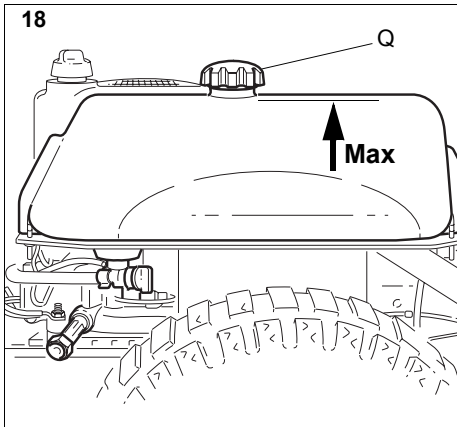
GEBRUIKSAANWIJZING NL.. 34

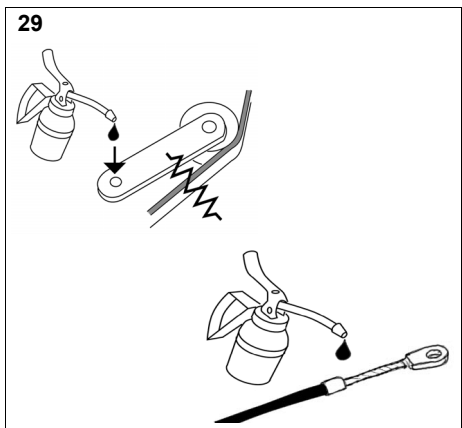
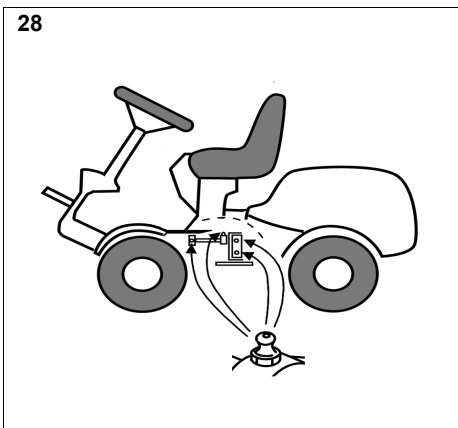
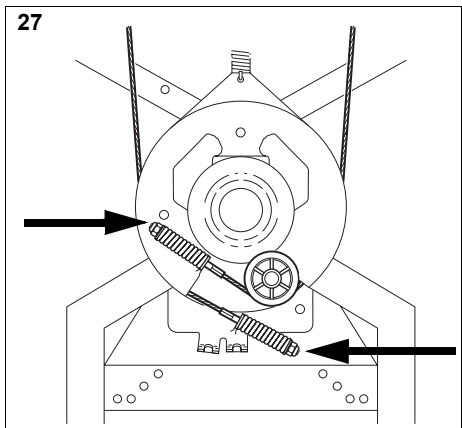
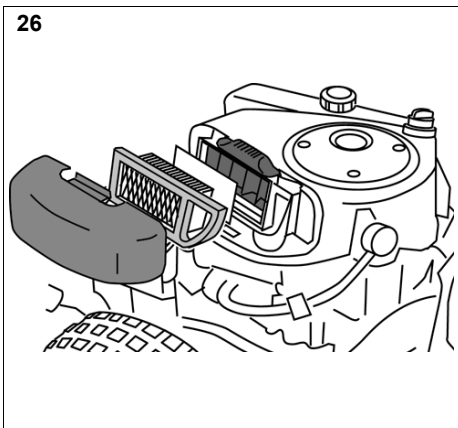
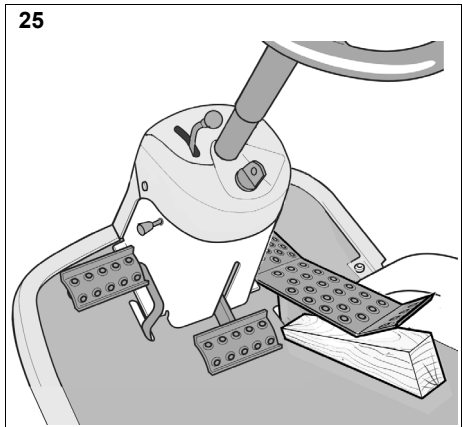
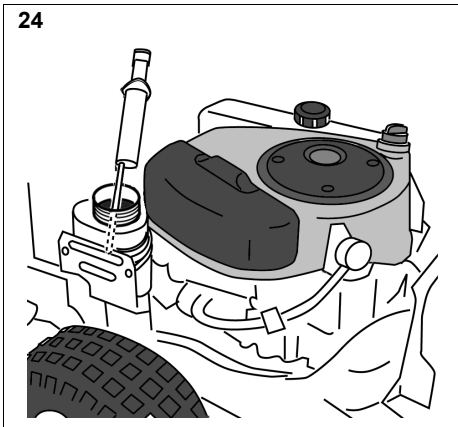
8211-0069-80











1 GENERAL



This symbol indicates **WARNING**. Serious personal injury and/or damage to property may result if the instructions are not followed carefully.



You must read these instructions for use and the accompanying pamphlet “SAFETY INSTRUCTIONS” carefully, before starting up the machine.

1.1 SYMBOLS

The following symbols appear on the machine. They are there to remind you of the care and attention required during use and maintenance.

This is what the symbols mean:



Warning!
Read the instruction manual and the safety manual before using the machine.



Warning!
Watch out for discarded objects. Keep on-lookers away.



Warning!
Always wear hearing protectors.



Warning!
This machine is not designed to be driven on public roads.



Warning!
The machine, equipped with original accessories, must not be driven in any direction on slopes with a gradient greater than 10°.



Warning!
Risk of crushing injuries. Keep hands and feet well away from the articulated steering joint.



Warning!
Risk of burn injuries. Do not touch the silencer/catalytic converter.

1.2 Designations

Three versions of Park Compact are available and are designated in the table below:

Machine	Designation
4135 H with hydrostatic transmission.	HST
4155 H with hydrostatic transmission.	HST
4155 H with hydrostatic transmission and four wheel drive.	4WD

1.3 References

1.3.1 Figures

The figures in these instructions for use are numbered 1, 2, 3, etc.

Components shown in the figures are marked A, B, C, etc.

A reference to component C in figure 2 is written “2:C”.

1.3.2 Headings

The headings in these instructions for use are numbered in accordance with the following example: “1.3.1 General safety check” is a subheading to “1.3 Safety checks” and is included under this heading.

When referring to headings, only the number of the heading is normally specified. E.g. “See 1.3.1”.

2 SAFETY INSTRUCTIONS

2.1 GENERAL

- Please read through these instructions carefully. Learn all the controls and the correct use of the machine.
- Before use, all drivers must apply for and receive practical training in the operation of the machine. Particular emphasis should be placed on the fact that:
 - a. The use of ride-on lawnmowers requires care and concentration.
 - b. On slopes, it is not possible to control a sliding ride-on lawnmower by braking. The main reasons for losing control are insufficient traction, excessively high speed, insufficient braking, the machine not being suited to the task, lack of attention to the surface or incorrect use as a towing vehicle.
- Never let children or anyone who is not familiar with these instructions to use the machine. Local regulations may impose restrictions as regards the age of the driver.
- Never use the machine if others, particularly children or animals, are in the vicinity.
- Remember that the driver is responsible for accidents that happen to other people or their property.
- Do not let children or other passengers to ride with you on the machine. They might fall off and be seriously injured, or they might prevent the machine being driven safely.
- Do not use the machine if you are under the influence of alcohol, drugs or medication. Neither should you use it when you are tired or feeling unwell.

2.2 PREPARATIONS

- Wear strong shoes and long trousers when using the machine. Do not operate it barefoot or wearing sandals.
- Wear appropriate clothing when using the machine. Do not wear loose, hanging clothes, jewellery, scarves, ties, etc., which can get caught in rotating parts. Tie up long hair.
- Carefully check the area that is to be cut/cleared of snow. Remove all loose stones, sticks, steel wire and other foreign objects which the machine could throw out.
- Warning – Petrol is highly inflammable.
 - a. Always store petrol in containers that are made especially for this purpose.
 - b. Only fill or top up with petrol outdoors, and never smoke when filling or topping up.
 - c. Fill with petrol before starting the motor. Never remove the filler cap or fill with petrol while the engine is running or still warm.
 - d. If petrol is spilt, do not try to start the engine but instead move the machine away from the place where the spillage occurred and avoid any possible causes of sparks until the petrol fumes have evaporated.
 - e. Do not forget to screw the cap on the petrol tank and the storage container after filling.
- Replace faulty silencers.
- Before use, always check that blades and mounting devices are not worn or damaged. Replace worn or damaged parts as a set so that the correct balance is maintained.
- The battery (on electrically started machines) gives off explosive gases. Keep sparks, flames and cigarettes away. Ensure there is sufficient ventilation during charging.
- The battery contains toxic material. Do not damage the battery casing. If the casing is damaged, avoid contact with the content of the battery.
- Do not throw out old, defective batteries with the rubbish. Contact the local authorities for correct waste Management.
- Do not short circuit the battery. Sparks occur which can result in fire.
- Always use hearing protectors.
- Take care when approaching obstacles which obscure your vision.
- Always keep children away from the machine's working area. Get another adult to keep the children under supervision.
- Take care when reversing. Look behind you both before and during reversing to check for any obstacles. Look out for small children.
- Disengage the blade(s) and the connection before starting the engine.
- Never have your hands or feet near or under rotating parts. Watch out for the blades. Do not stand right in front of the discharge opening.
- Avoid using the machine on wet lawns.
- Be careful when driving on slopes. No sudden starting or stopping when moving up or down a slope.
- Release the clutch pedal slowly. Always drive with the gear engaged, and do not disengage when driving down slopes.
- Never cut across a slope. Move from the top down, and from the bottom to the top.
- Use low acceleration when engaging the drive, especially in long grass. Reduce the speed on slopes and when making sharp turns to prevent the machine from tipping over or you losing control of the machine.
- Watch out for holes in the ground and other hidden dangers.
- Do not drive too near ditches or high edges. The machine can turn over if a wheel drives over the edge or the edge breaks.
- Take care when towing and when using heavy equipment.
 - a. Only use an approved towing device.
 - b. Limit the load so that it can be controlled safely.
 - c. Do not make any sudden turns. Take care when reversing.
 - d. Use wheel weights or front weight when recommended in the user instructions.
- Look out for traffic at crossings or when driving near roads.
- Stop the blade(s) when crossing a surface other than grass during mowing.
- When using any of the accessories, never direct the discharge at somebody standing beside it, and do not allow anyone to stand near the machine when it is running.
- Never operate the machine with insufficient protection or without the safety devices in place.

2.3 DRIVING

- Start the engine according to the instructions in the user guide. Keep your feet away from the blades.
- Do not run the engine in confined areas where hazardous carbon monoxide gases can collect.
- Only use the machine in daylight or where there is good lighting.

- Existing safety devices may not be disconnected or disengaged. Check that the safety devices work each time before using the machine.
- Do not alter the engine's regulator setting and do not race the engine. The danger of personal injury increases when the engine is run at high revs.
- Do not touch engine components which become warm during use. Risk of burn injuries.
- Do not leave the driving seat without:
 - a. Disengaging the power take-off and lowering the accessories.
 - b. Putting the gear in neutral and activating the parking brake.
 - c. Stopping the engine and removing the key.
- Only use accessories that are approved by the machine's Manufacturer.
- The machine may not be used without accessories/tools being installed in the machine's tool mounts. Driving without accessories can have a negative effect on the stability of the machine.
- Take care when using grass collectors and other accessories. These can alter the machine's stability. Particularly on slopes.
- Disengage the drive to the accessories, shut off the engine and disconnect the spark plug cable or remove the starter key:
 - a. To remove sticks and rubbish or when the discharge has become clogged.
 - b. To check, clean or service the machine.
 - c. To check whether damage has occurred and to carry out any repairs before starting and using the machine again after a collision with a foreign object.
 - d. To check the machine if it begins to vibrate excessively. (Check immediately).
- Disengage the drive to accessories during transport or when the machine is not in use.
- Shut off the engine and disconnect the drive to the accessories:
 - a. Before filling with petrol.
 - b. Before removing the grass collector.
 - c. Before adjusting the height setting, assuming this cannot be done from the driver's position.
- Reduce the acceleration when the engine is to be stopped, and if the engine is equipped with a fuel shut-off valve, this should be switched off when the work is finished.
- Take care with multiple blade decks as one rotating blade can cause other blades to rotate.
- The machine, equipped with original accessories, must not be driven in any direction on slopes with a gradient greater than 10°.
- The cutting deck's original blade(s) may not be replaced with non-original devices intended for e.g. moss scarification. If such devices are used, the guarantee will cease to be valid. There is also a risk of serious injury or damage to people or property.
- Take care when unloading and loading the machine onto a trailer or lorry.

2.4 MAINTENANCE AND STORAGE

- Tighten all nuts and screws so that the machine is in safe working condition.
- At regular intervals check that the cutting deck's blade screw(s) are properly tightened.
- Regularly check the operation of the brakes. It is important to maintain and repair the brakes if necessary.
- Never store the machine with petrol in the tank in buildings where the fumes can come into contact with open flames or sparks.
- Allow the engine to cool before placing the machine in a store.
- To reduce the risk of fire, keep the engine, silencer, battery and petrol tank free from grass, leaves and surplus oil.
- Check frequently whether there is any wear or damage to the grass collector.
- For the sake of safety, replace worn or damaged parts.
- Always use genuine spare parts. Non-genuine spare parts can entail a risk of injury, even if they fit the machine.
- Replace damaged warning and instruction stickers.
- If there is no mechanical lock for the transport position, the cutting deck must be lowered when parked, stored or when the machine is left unsupervised.
- If the petrol tank is to be emptied, this must take place outdoors.
- Store the machine so that children cannot get to it.

3 STORAGE

Empty the petrol tank. Start the engine and let it run until it stops.

Replace the oil while the engine is still warm.

Unscrew the spark plug and pour a tablespoonful of oil into the cylinder. Rotate the engine a few turns so that the oil is distributed in the cylinder.

Install the spark plug.

Clean the entire machine. It is particularly important to clean under the cutting deck. Touch up paint damage to prevent rust. Store the machine indoors in a dry place. Machines with an electric starter: Remove the battery. Store it well charged in a cool place (between 0°C and +15°C). At the correct storage temperature, the battery should be maintenance-charged every four months.



The battery acid is extremely corrosive and can cause injuries and damage to skin and clothing. Always use rubber gloves and glasses (goggles) to protect your eyes. Avoid inhaling any acid vapour.



Do not incline the battery too much so that the battery acid can run out onto hands or clothing. If this should happen, rinse with plenty of water.

4 ASSEMBLY



To avoid injury and damage to people and property, do not use the machine until all the measures in this instruction have been carried out..

4.1 Accessories bag

The machine is supplied with a plastic bag containing components which shall be used during the assembly. The bag contains (fig. 1):

Pos.	No.	Designation	Dimension
B		Spare key	
C	1	Tension pin	6 x 36
D	1	Shim washer	16 x 38 x 0.5
E	1	Shim washer	16 x 38 x 1.0
F	2	Shoulder washer	
G	2	Screw	8 x 20
H	2	Screw knob	
I	4	Washer	8.4 x 24 x 1.5
J	1	Drawing plate	
K	4	Screw	8 x 20
L	2	Nut	
M	2	Screw for battery	
N	2	Nut for battery	
O	2	Screw	M10 x 35
P	2	Nut	M10

Supplied installed on the front axles:

Pos.	No.	Designation
Q	2	Lock pin
R	2	Washer

Secure to the implement lifter:

Pos.	No.	Designation
S	2	Deck mount

4.2 Engine casing

To fill with fuel and to inspect and maintain the engine and battery, open the engine casing.



The engine must not be running when the casing is opened.

4.2.1 Opening

1. Raise the seat lock (fig. 2) and fold the seat forwards.
2. Pull up the rubber strap at the front edge of the casing (fig. 3).
3. Grasp the front edge of the engine casing and fold up the casing (fig. 4).

4.2.2 Closing

1. Grasp the front edge of the engine casing and fold down the casing (fig. 4).
2. Secure the front edge of the casing with the rubber strap (fig. 3).



The machine may not be operated unless the engine casing is closed and locked. Risk of burns and crushing injuries.

4.3 Battery

See "8.8 Battery".

4.4 Seat, fig. 6

Release the catch (S) and fold up the seat bracket. Install the mounting in the rear (upper) holes as follows:

1. Install the shoulder washers (F) on the screws (K).
2. Insert the screws through the slots in the bracket. Place a washer (I) between the seat and the bracket.
3. Tighten the screws in the seat. Tightening torque: 9 ± 1.7 Nm.



If the screws are tightened more than 9 ± 1.7 Nm, the seat will be damaged.

4. Check that the seat moves easily in the slots in the bracket.

Install the mounting in the front (lower) holes as follows:

1. Install the screw knobs (H) on the screws (G).
2. Install a washer (I) on each screw.
3. Insert the screws through the slots in the bracket and tighten by hand in the seat.
4. Fold the seat down and place it in the desired position.
5. Tighten the screw knobs (H) by hand.



The screw knobs (H) and the seat will be damaged if tools are used.

The seat can be folded. If the machine is parked outside when it is raining, fold the seat forward to protect the seat cushion from getting wet.

The seat is locked. To fold the seat up or down, release the catch (S).

4.5 Steering wheel

See fig. 7. In order to minimise the axial play in the steering column, the shim washers (D) and/or (E) must be installed on the steering column between the steering column jacket and the bracket as follows.

1. Install the steering column jacket on the steering column and secure by knocking in the tension pin (C) approximately 1/3 of its length.
2. Pull the steering column jacket and the steering column up.
3. From the outside, check whether no washers, the 0.5 mm washer, the 1.0 mm washer or both washers can be inserted into the gap. The washer/washers must not be forced in, as there must be a little axial play.
4. Pull out the cotter pin and dismantle the steering wheel jacket.
5. Install the washer/washers in accordance with point 3 above.
6. Install the steering column jacket on the steering column and secure by knocking in the tension pin fully. Use a counterhold.

4.6 Towing hitch

See fig. 8. Screw the towing hitch (J) into the two holes on the underside of the rear axle using screws (L+K). Tighten the screws properly.

Tightening torque: 22 Nm.

4.7 Deck mounts

This only describes installation on the right-hand axle. Same procedure must be carried out on the left-hand axle.

1. Lubricate the axle ends and the deck mount's bearing surface with oil before installation.
2. Install the deck mounts to the machine according to fig. 9.
3. Install the locking pin (9:Q) in the hole in the axle.

4.8 Tyre pressure

Check the air pressure in the tyres. Correct air pressure:

Front: 0.6 bar (9 psi)

Rear: 0.4 bar (6 psi)

4.9 Accessories

For the installation of accessories, see separate installation guide supplied with each accessory.

Note: The cutting deck is regarded as an accessory here.

5 DESCRIPTION

5.1 Transmission

5.1.1 HST

The machine is rear wheel drive.

The rear axle is equipped with a hydrostatic transmission with infinitely variable forward and reverse gear ratios.

The rear axle is also equipped with a differential to facilitate turning.

Front mounted tools are driven by drive belts.

5.1.2 4WD

The machine has 4-wheel drive. The power from the engine to the drive wheels is transferred hydraulically. The engine drives an oil pump, which pumps oil through the rear and front axle drives.

The front axle and rear axle are connected in series, which means that the front wheels and rear wheels are forced to rotate at the same speed.

To make turning easier, both axles are equipped with differential.

Front-mounted implements are powered via drive belts.

5.2 Steering

The machine is articulated. This means that the chassis is divided into a front and a rear section, which can be turned in relation to each other.

The articulated steering means that the machine can turn around trees and other obstacles with an extremely small turning radius.

5.3 Safety system

The machine is equipped with an electrical safety system. The safety system interrupts certain activities that can entail a danger of incorrect manoeuvres. For example, the engine cannot be started if the clutch-parking brake pedal is depressed.



The operation of the safety system must always be checked every time before use.

5.4 Controls

5.4.1 Implement lifter, mechanical (12:A)

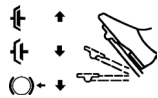
To switch between working position and transport position:

1. Depress the pedal fully.
2. Release the pedal slowly.

5.4.2 Clutch-parking brake (12:B)



Never press the pedal while driving. There is a risk of overheating in the power transmission.



The pedal has the following three positions:

- **Released.** The clutch is not activated. The parking brake is not activated.
- **Depressed halfway.** Forward drive disengaged. The parking brake is not activated.
- **Fully depressed.** Forward drive disengaged. The parking brake is fully activated but not locked. This position is also used as emergency brake.

5.4.3 Inhibitor, parking brake (12:C)



The inhibitor locks the “clutch-brake” pedal in the depressed position. This function is used to lock the machine on slopes, during transport, etc., when the engine is not running.

Locking:

1. Depress the pedal (14:B) fully.
2. Move the inhibitor (14:C) to the right.
3. Release the pedal (14:B).
4. Release the inhibitor (14:C).

Unlocking:

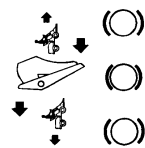
Press and release the pedal (14:B).

5.4.4 Driving-service brake (12:F)



If the machine does not brake as expected when the pedal is released, the left pedal (12:B) should be used as an emergency brake.

The pedal determines the gearing ratio between the engine and the drive wheels (= the speed). When the pedal is released, the service brake is activated.



1. Press the pedal forward – the machine moves forward.
2. No load on the pedal – the machine is stationary.
3. Press the pedal backward – the machine reverses.
4. Reduce the pressure on the pedal – the machine brakes.

5.4.5 Throttle and choke control (12:D)

A control for setting the engine speed and to choke the engine when starting from cold.



If the engine runs unevenly there is a risk that the control is too far forward so that the choke is activated. This damages the engine, increases fuel consumption and is harmful to the environment.



1. Choke – for starting a cold engine. The choke position is located at the front of the groove.

Do not operate in this position when the engine is warm.



2. Full throttle – when the machine is in operation, full throttle should always be used.

The full throttle position is approximately 2 cm behind the choke position.



3. Idling.

5.4.6 Ignition lock (12:E)



Do not leave the machine with the key in position 2 or 3. There is a fire risk, fuel can run into the engine through the carburettor, and there is a risk of the battery being discharged and damaged.

Ignition lock used for starting/stopping the engine. Four positions:



1. Stop position – the engine is short-circuited. The key can be removed.



- 2/3. Operating position.



4. Start position – the electric start motor is activated when the key is turned to the spring-loaded start position. Once the engine has started, let the key return to operating position 2/3.

5.4.7 Power take-off (13:G)



The power take-off must never be engaged when the front-mounted implement is in transport position. This will destroy the belt transmission.

A lever for engaging and disengaging the power take-off for operating front-mounted accessories. Two positions:



1. Lever in forward position – power take-off disengaged.



2. Lever in backward position - power take-off engaged.

5.4.8 Clutch release lever

A lever for disengaging the variable transmission. HST is equipped with a lever, connected to the rear axle. See (16:N).

4WD is equipped with two levers, connected to the rear axle (17:O) and the front axle (17:P).



The disengagement lever must never be between the outer and inner positions. This overheats and damages the transmission.

The levers enable the machine to be moved by hand without the help of the engine. Two positions:



1. Lever in the inner position – transmission engaged for normal operation.

2. Lever in the outer position – transmission disengaged. The machine can be moved by hand.

The machine may not be towed over long distances or at high speeds. The transmission could be damaged.



The machine must not be operated with the forward most lever in the outer position. Risk of damage and oil leakage in the front axle.

5.4.9 Seat (14:I)



The seat can be folded and is adjustable front-rear. The seat is locked in the folded up position using the catch (14:K) and adjusted front-rear using the knobs (14:J).

The seat is equipped with a safety switch that is connected to the machine's safety system. This means that certain dangerous activities are not possible when there is nobody in the seat.

5.4.10 Engine casing (15:L)



To access the fuel cock, battery and engine the engine is equipped with engine casing that can be opened. The engine casing is locked by a rubber strap.

The engine casing is opened as follows:

1. Detach the rubber strap (15:M) at the front edge of the engine casing.
2. Carefully lift the engine casing back.

Close in reverse order.



The machine may not be operated unless the engine casing is folded down and locked. Risk of burns and crushing injuries.

6 AREAS OF USE

The machine may only be used for the following tasks using the genuine GGP accessories stated.

Operation	Accessories, GGP original
Mowing	With cutting deck 95 C (all). With cutting deck 105 C (only 4155 H).
Snow clearance	With snow blade. Snow chains and frame weights recommended.
Grass clipping and leaf collection	With towed collector 30" or 42".
Grass and leaf transport	With dump cart Pro or Combi.

The maximum vertical load on the towing hitch must not exceed 100 N.

The maximum over-run load on the towing hitch from towed accessories must not exceed 500 N.

NOTE! Before using a trailer – contact your insurance company.

NOTE! This machine is not intended to be driven on public roads.

7 STARTING AND OPERATION



The machine may not be operated unless the engine casing is closed and locked. Risk of burns and crushing injuries.

7.1 Filling with petrol (18:Q)

Always use lead-free petrol. You must never use 2-stroke petrol mixed with oil.

The tank holds 6 litres. The level can easily be read through the transparent tank.

NOTE! Ordinary lead-free petrol is a perishable and must not be stored for more than 30 days.

Environmental petrol can be used, i.e. alkylate petrol. This type of petrol has a composition that is less harmful for people and nature.



Petrol is highly inflammable. Always store fuel in containers that are made especially for this purpose.




Only fill or top up with petrol outdoors, and never smoke when filling or topping up. Fill up with fuel before starting the engine. Never remove the filler cap or fill with petrol while the engine is running or still warm.

Never completely fill the petrol tank. Leave an empty space (= at least the entire filler tube plus 1 - 2 cm at the top of the tank) to allow the petrol to expand when it warms up without overflowing. See fig. 18.

7.2 Checking the engine oil level

On delivery, the crankcase is filled with SAE 10W-30 oil.

Check the oil level every time before using to ensure it is correct. The machine should be standing on level ground.

 Wipe clean around the oil dipstick. Unscrew and pull it up. Wipe off the dipstick. Slide it down completely and tighten it.

Then unscrew it and pull it up again. Read off the oil level. Top up with oil to the "FULL" mark, if the level comes below it. See fig. 19.

The oil level must never exceed the "FULL" mark. This results in the engine overheating. If the oil level exceeds the "FULL" mark, the oil must be drained until the correct level is achieved.

7.3 Checking transmission oil level

Check the oil level every time before using to ensure it is correct. The machine should be standing on level ground.

Read off the oil level in the reservoir (20:R). It should be between the MAX and MIN marks. If necessary, top up with more oil.

Type of oil:

	Oil type
4WD	Synthetic oil 5W-50
HST	SAE 10W-30 (20W-50)

7.4 Safety checks

Check that the results of the safety checks below are achieved when testing the machine in question.



The safety checks must always be carried out every time before use.



If any of the results below is not achieved, the machine must not be used! Take the machine to a service workshop for repair.

7.4.1 General safety check

Object	Result
Fuel lines and connections.	No leaks.
Electrical cables.	All insulation intact. No mechanical damage.
Exhaust system.	No leaks at connections. All screws tightened.
Oil lines	No leaks. No damage.
Drive the machine forwards/backwards and release the driving-service brake pedal.	The machine will stop.
Test driving	No abnormal vibrations. No abnormal sound.

7.4.2 Electrical safety check



The operation of the safety system should always be checked every time before use.

Status	Action	Result
The clutch-brake pedal not depressed. Power take-off not activated.	Attempt to start.	The engine must not start.
Engine running. Power take-off activated.	The operator leaves the seat.	The power take-off must disengage.
Engine running.	Remove the fuse. See 20:S.	The engine must stop.

7.5 Start

1. Open the fuel cock. See (21:U).
2. Check that the spark plug cable(s) is/are installed on the spark plug(s).
3. Check to make sure that the power take-off is disengaged.
4. Do not keep your foot on the drive pedal.
5. Starting cold engine – put the throttle control in the choke position.
Starting warm engine – put the throttle control at full throttle (approx. 2 cm behind the choke position).
6. Depress the clutch-brake pedal fully.
7. Turn the ignition key and start the engine.
8. Once the engine has started, move the throttle control gradually to full throttle (approx. 2 cm behind the choke position) if the choke has been used.

9. When starting from cold, do not make the machine work under load immediately, but let the engine run for a few minutes first. This will allow the oil to warm up.

When the machine is in operation, full throttle should always be used.

7.6 Operating tips

Always check that there is the correct volume of oil in the engine. This is particularly important when operating on slopes. See 7.2 Checking the engine oil level.



Be careful when driving on slopes. No sudden starting or stopping when driving up or down a slope. Never drive across a slope. Move from the top down or from the bottom to the top.



The machine may not be driven on slopes greater than 10° in any direction.



Reduce the speed on slopes and when making sharp turns in order to retain control and reduce the risk of tipping over.



Do not turn the steering wheel to full lock when driving in top gear and at full throttle. The machine can easily topple over.



Keep hands and fingers well away from articulated steering joint and seat bracket. Risk of crushing injuries. Never drive with the engine casing open.

7.7 Stop

Disengage the power take-off. Apply the parking brake.

Allow the engine to idle 1-2 mins. Stop the engine by turning off the ignition key.

Shut off the petrol cock. This is particularly important if the machine is to be transported on a trailer for example.



If the machine is left unattended, remove the spark plug cable(s) and remove the ignition key.



The engine may be very warm immediately after it is shut off. Do not touch the silencer, cylinder or cooling fins. This can cause burn injuries.

7.8 Cleaning



To reduce the risk of fire, keep the engine, silencer, battery and fuel tank free from grass, leaves and oil.



To reduce the risk of fire, regularly check the machine for oil and/or fuel leakage.

Clean the machine after each use. The following instructions apply for cleaning:

- When washing the machine with water under high pressure, do not point the jet directly at axle seals, electrical components or hydraulic valves.
- Do not spray water directly at the engine.
- Clean the engine with a brush and/or compressed air.
- Clean the engine's cooling air intake (20:T).

8 MAINTENANCE

8.1 Service programme

In order to keep the machine in good condition as regards reliability and operational safety as well as from an environmental perspective, GGP's Service programme should be followed.

Servicing carried out at an authorised workshop guarantees professional work using genuine spare parts.

8.2 Preparation

All service and all maintenance must be carried out on a stationary machine with the engine switched off.



Prevent the machine from rolling by always applying the parking brake.



Stop the engine.



Prevent unintentional starting of the engine by disconnecting the spark plug cable(s) from the spark plug(s) and removing the ignition key.

8.3 Tyre pressure

Adjust the air pressure in the tyres as follows:

Front: 0.6 bar (9 psi).

Rear: 0.4 bar (6 psi).

8.4 Changing engine oil

Change engine oil for the first time after 5 hours of operation, and subsequently after every 50 hours of operation or once a season.

Change the oil more often (after 25 hours of operation or at least once a season) if the engine has to operate under demanding conditions or if the ambient temperature is high.

Use oil according to the table below.

Oil	SAE 10W-30
Service class	SJ or higher

Use oil without any additives.

Do not fill with too much oil. This can cause the engine to overheat.

Change oil when the engine is warm.



The engine oil may be very hot if it is drained off directly after the engine is shut off. Therefore allow the engine to cool a few minutes before draining the oil.

1. Attach the clamp on the oil drainage hose. Use a polygrip or similar. See fig. (21:V).
2. Move the clamp up 3-4 cm on the oil drainage hose and pull out the plug.
3. Collect the oil in a collection vessel.
NOTE! Do not spill any oil on the drive belts.
4. Hand in the oil for disposal in accordance with local provisions.
5. Install the oil drainage plug and move the clamp back so that it clamps above the plug.
6. Remove the dipstick and fill up with new oil.
Oil volume: 1.4 litres
7. After filling up the oil, start the engine and idle for 30 seconds.
8. Check to see if there is any oil leakage.
9. Stop the engine. Wait for 30 seconds and then check the oil level in accordance with 7.2 Checking the engine oil level.

8.5 Transmission, oil (4WD)

The oil in the hydraulic power transmission must be checked/adjusted and changed at the intervals given in the table below.

Action	1st time	Then at intervals of
	Hours of operation	
Checking – adjusting level.	-	50
Changing the oil.	50	200

Type of oil: Synthetic oil 5W-50

Oil quantity when changing: approximately 3.5 litres.

8.5.1 Checking - adjusting

See “7.2 Checking the engine oil level”.

8.5.2 Draining

1. Run the machine at variable speeds for 10-20 minutes to heat up the transmission oil.
2. Position the machine completely horizontally.
3. Pull out both disengagement levers according to fig. 17.
4. Place one container under the rear axle and one under the front axle.
5. Open the oil reservoir by removing the cover. See (20:R).



Only a 3/8” square drive may be used for the oil plug. Other tools will damage the plug.

6. Remove the oil plug from the rear axle. Clean the hole and use a 3/8” square drive. See figure 22.
7. Remove 2 drain plugs from the front axle. Use a 12 mm socket. Allow the oil in the front axle and pipes to run out. See fig. 23.
8. Check that the gaskets on the drain plugs of the front axle are intact. See fig. 23. Reinstall the plugs. Tightening torque: 15-17 Nm.



The oil plug will be damaged if it is tightened more than 5 Nm.

9. Check that the gasket on the oil plug of the rear axle is intact. See fig. (22:Y). Reinstall in the rear axle. Tighten the oil plug to 5 Nm.
10. Draw out the oil from the deeper section of the reservoir using an oil extractor. See fig. 24.
11. Dispose of the oil according to local regulations.

8.5.3 Filling



The engine must never be run when the rear clutch release lever is pushed in and the front clutch release lever is pulled out.

This will damage the front axle seals.

1. Fill the oil reservoir with the new oil.



If the engine is run indoors, exhaust extraction equipment must be connected to the engine’s exhaust pipe.

2. Check that the rear axle’s clutch release lever is pulled out.
3. Start the engine. When the engine is started, the front axle’s clutch release lever slides inwards automatically.
4. Pull out the front axle’s clutch release lever.
NOTE! The oil is drawn into the system very quickly. The reservoir must always be topped up. Air must never be drawn in.
5. Set the accelerator pedal to the forward position by blocking it using a wooden wedge. See fig. 25. Fill the oil reservoir by hand using new oil.
6. Run in the forward position for one minute.
7. Move the wooden wedge and set the accelerator pedal to the reverse position. Continue filling with oil.
8. Run in reverse mode for one minute.
9. Change driving direction once every minute as above and continue filling with oil until the bubbling in the reservoir stops.
10. Switch off the engine, install the oil reservoir cover and close the engine cover.
11. Test drive for several minutes and adjust the oil level in the reservoir.

8.6 Belt transmissions

After 5 hours of operation, check that all the belts are intact and undamaged.

8.7 Steering

The steering must be checked/adjusted after 5 hours of operation and thereafter after 100 hours of operation.

8.7.1 Checks

Briefly turn the steering wheel back and forth. There must be no mechanical clearance in the steering chains.

8.7.2 Adjustment

Adjust the steering chains if required as follows:

1. Put the machine in the straight-ahead position.
2. Adjust the steering chains with the two nuts, located under the central point. See fig. 27.
3. Adjust both nuts by the same amount until there is no clearance.
4. Test drive the machine straight forwards and check that the steering wheel is not off centre.
5. If the steering wheel is off centre, undo one nut and tighten the other.

Do not over-tighten the steering chains. This will cause the steering to become heavy and will increase wear on the steering chains.

8.8 Battery



If acid comes into contact with the eyes or skin, this can cause serious injuries. If any part of the body has come into contact with acid, rinse immediately with copious amounts of water and seek medical assistance as soon as possible.

The battery is a valve-regulated battery with 12 V nominal voltage. The battery fluid does not need to and cannot be checked or topped up. The only maintenance that is required is charging, for example after extended storage.



The battery must be fully charged before being used for the first time. The battery must always be stored fully charged. If the battery is stored while discharged, serious damage will occur.

8.8.1 Charging with the engine

The battery can be charged using the engine's generator as follows:

1. Install the battery in the machine as shown below.
2. Place the machine outdoors or install an extraction device for the exhaust fumes.
3. Start the engine according to the instructions in the user guide.

4. Allow the engine to run continuously for 45 minutes.
5. Stop the engine. The battery will now be fully charged.

8.8.2 Charging using battery charger

When charging using a battery charger, a battery charger with constant voltage must be used.

Contact your dealer to purchase a battery charger with constant voltage.

The battery can be damaged if a standard type battery charger is used.

8.8.3 Removal/Installation

The battery is placed under the engine casing. During removal/installation, the following applies regarding connection of the cables:

- During removal. First disconnect the black cable from the battery's negative terminal (-). Then disconnect the red cable from the battery's positive terminal (+).
- During installation. First connect the red cable to the battery's positive terminal (+). Then connect the black cable to the battery's negative terminal (-).



If the cables are disconnected/connected in the wrong order, there is a risk of a short-circuit and damage to the battery.



If the cables are interchanged, the generator and the battery will be damaged.



Tighten the cables securely. Loose cables can cause a fire.



The engine must never be driven with the battery disconnected. There is a risk of serious damage to the generator and the electrical system.

8.8.4 Cleaning

If the battery terminals are coated with oxide, they should be cleaned. Clean the battery terminals with a wire brush and lubricate them with terminal grease.

8.9 Air filter, engine

The pre-filter (foam filter) must be cleaned/replaced after 25 hours of operation.

The air filter (paper filter) must be cleaned/replaced after 100 hours of operation.

NOTE! The filters should be cleaned/replaced more often if the machine operates on dusty ground.

Remove/install the air filters as follows.

1. Clean carefully around the air filter cover.
2. Dismantle the air filter cover (26:A) by removing the two clamps.

3. Dismantle the filter assembly (26:B). The pre-filter is placed over the air filter. Make sure that no dirt gets into the carburettor. Clean the air filter housing.
4. Clean the paper filter by tapping it gently against a flat surface. If the filter is very dirty, replace it.
5. Clean the pre-filter. If the filter is very dirty, replace it.
6. Assemble in the reverse order.

Compressed air or petroleum-based solvents such as kerosene may not be used for cleaning the paper filter insert. This will damage the filter.

8.10 Spark plug

The spark plug(s) must be replaced every 200 hours of operation (=at every other basic service). Before disconnecting the spark plug, clean around its mounting.

Spark plug: Champion RC12YC or equivalent.

Electrode distance: 0.75 mm.

8.11 Air intake

See 19:T. The engine is air-cooled. A blocked cooling system can damage the engine. Clean the engine's air intake after 50 hours of operation. More meticulous cleaning of the cooling system is carried out during each basic service.

8.12 Lubrication

All lubrication points in accordance with the table below must be lubricated every 50 hours of operation as well as after every wash.

Object	Action	Figure
Centre point	4 grease nipples. Use a grease gun filled with universal grease. Pump until the grease emerges.	28
Steering chains	Brush the chains clean with a wire brush. Lubricate with universal chain spray.	-
Tensioning arms	Lubricate the bearing points with an oil can when each control is activated. Ideally carried out by two people.	29
Control cables	Lubricate the cable ends with an oil can when each control is activated. Must be carried out by two people.	29

8.13 Fuse

In the event of electrical faults, check/replace the fuse, 20 A. See 20:S.

9 PATENT - DESIGN REGISTRATION

This machine or parts thereof is covered by the following patent and design registration:

SE9901091-0, SE9901730-3, SE9401745-6,
US595 7497, FR772384, DE69520215.4,
GB772384, SE0301072-5, SE04/000239 (PCT),
SE0401554-1, SE0501599-5.

10 SERVICE

Authorised service workshops carry out repairs and guarantee service. They use original spare parts.

Original spare parts are supplied by service workshops and by Many dealers.

We recommend that the machine be handed in to an authorised service workshop for service, maintenance and checking of the safety devices once a year.

11 PURCHASE TERMS

A full guarantee is issued against Manufacturing and material defects. The user must carefully follow the instructions given in the enclosed documentation.

Guarantee period

For consumer use: two years from purchase date.

For batteries: six months from the purchase date.

Exceptions

The guarantee does not cover damage due to:

- neglect of the user to acquaint himself with accompanying documentation
- carelessness
- incorrect and non-permitted use or assembly
- the use of non-genuine spare parts
- the use of accessories not supplied or approved by GGP

Neither does the guarantee cover:

- wearing components such as blades, belts, wheels and cables
- normal wear
- engine and transmission. These are covered by the appropriate Manufacturer's guarantees with separate terms and conditions.

The purchaser is covered by each country's national laws. The rights to which the purchaser is entitled with the support of these laws are not restricted by this guarantee.

12 ENVIRONMENT

For environmental reasons, we recommend that particular attention is given to the following points:

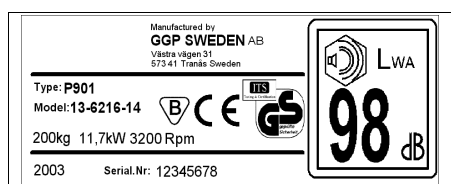
- Always use Alkylate petrol (“Environmental petrol”).
- Always use a funnel and/or a petrol can with overflow protection to avoid spillage when filling with petrol.
- Do not fill the petrol tank right to the top.
- Do not fill too much engine and/or transmission oil (see user instructions for the correct amount).
- Collect up all oil during oil changes. Do not spill any. Hand in the oil to a recycling station.
- Do not discard replaced oil filters with normal rubbish. Hand them in to a recycling station.
- Do not discard replaced lead batteries with normal rubbish. Hand in to a battery collection point for recycling.
- Replace the silencer if it is broken. Always use original spare parts when carrying out repairs.
- If the machine was originally equipped with a catalytic converter and this is broken, a new catalytic converter must be installed after removing the old one.
- Always get a specialist to adjust the carburettor if necessary.

Clean the air filter according to the instructions given (see user instructions).

13 PRODUCT IDENTITY

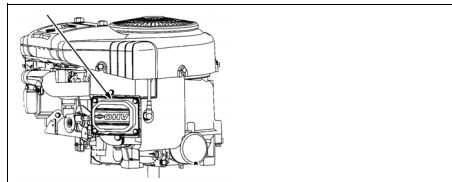
The identity of the product is determined by two parts:

1. The machine's item and serial numbers:



2. The engine's model, type and serial numbers:

Found on the machine's fan housing as illustrated:



Use these identification terms during all contact with service workshops and when purchasing spare parts.

As soon as possible after acquiring the machine, the above number should be written in on the last page of this publication.

GGP reserves the right to make alterations to the product without prior notification.

1 GÉNÉRALITÉS



Ce symbole est un **AVERTISSEMENT**.
Risque de blessure ou de dégât matériel
en cas de non-respect des instructions.



Avant de démarrer la machine, lire attentivement les instructions ainsi que les consignes contenues dans le fascicule « RÈGLES DE SÉCURITÉ » ci-joint.

1.1 Symboles

Les symboles suivants figurent sur la machine. Ils attirent votre attention sur les dangers et les mesures à respecter lors de l'utilisation et de la maintenance.

Explication des symboles :



Attention!
Lire le mode d'emploi et le manuel de sécurité avant d'utiliser la machine.



Attention!
Attention aux projections. Travailler à une distance suffisante de toute présence.



Attention !
Porter des protections auditives.



Attention !
Cet engin n'est pas conçu pour circuler sur la voie publique.



Attention !
La machine, équipée d'accessoires d'origine, ne peut en aucun cas être utilisée sur des pentes dont l'inclinaison est supérieure à 10°.



Attention !
Risque de blessure par écrasement. Garder les mains et les pieds à distance du joint de direction articulé.



Attention !
Ne pas les toucher sous peine de se brûler.
Ne pas toucher le silencieux ou le convertisseur catalytique.

1.2 Désignation

Park Compact existe en 3 versions :

Machine	Désignation
4135 H à transmission hydrostatique.	HST
4155 H à transmission hydrostatique.	HST
4155 H à transmission hydrostatique et quatre roues motrices.	4WD

1.3 Références

1.3.1 Numérotation

Dans les instructions qui suivent, les figures sont numérotées 1, 2, 3, etc.
Les composants illustrés sont indiqués par A, B, C, etc.

Une référence renvoyant à l'élément C de la figure 2 sera indiqué « 2:C ».

1.3.2 Titres

Les titres sont numérotés selon l'exemple suivant :
« 1.3.1 Contrôle de sécurité générale » est un sous-titre intégré au chapitre « 1.3 Contrôles de sécurité ». En principe, lorsqu'on renvoie à un titre, seul son numéro est indiqué, par ex. « Voir 1.3.1 ».

2 RÈGLES DE SÉCURITÉ

2.1 GÉNÉRALITÉS

- Veuillez lire attentivement les instructions qui suivent et apprendre les commandes et le maniement correct de la machine avant de l'utiliser.
- Les utilisateurs de la tondeuse doivent suivre une formation pratique préalable. Soyez particulièrement attentif au fait que :
 - a. L'utilisation de tondeuses autoportées requiert de l'attention et de la concentration.
 - b. Si on perd le contrôle d'une tondeuse autoportée sur un terrain en pente, il est impossible de le récupérer en freinant. Principales causes des pertes de contrôle : traction insuffisante, vitesse excessive, freinage insuffisant, machine inadaptée à la tâche à exécuter, manque d'attention sur les irrégularités du terrain et présence d'une remorque.
- Ne jamais confier l'utilisation de la tondeuse à des enfants ou à des personnes inexpérimentées. L'âge minimum du conducteur est déterminé par les réglementations locales.
- Ne pas tondre à proximité de personnes, en particulier des enfants, ou d'animaux.
- Le conducteur de l'engin assume seul la responsabilité des accidents impliquant des personnes ou des biens.
- Ne pas embarquer de passagers à bord de la tondeuse. Ils pourraient se blesser en cas de chute ou gêner les manœuvres du conducteur.
- Ne pas conduire la machine sous l'influence de l'alcool, de drogues, de substances médicamenteuses, ni en cas de fatigue ou de malaise.

2.2 PRÉCAUTIONS

- Pour utiliser la machine, le port de chaussures renforcées et d'un pantalon est recommandé. Ne pas tondre à pieds nus ou en sandales.
 - Porter des vêtements appropriés. Ne pas porter de vêtements amples ou flottants, de bijoux, écharpes, cravates, etc. susceptibles de se prendre dans les pièces en rotation. Attacher les cheveux longs.
 - Contrôler attentivement la zone à tondre ou à déneiger. Retirer toutes les pierres, bouts de bois, fils de fer et autres objets étrangers qui pourraient être éjectés par la machine.
 - Attention – l'essence est très inflammable.
 - a. Toujours conserver l'essence dans des récipients spécialement conçus à cet effet.
 - b. Faire le plein d'essence uniquement à l'extérieur, et ne pas fumer pendant l'opération.
 - c. Faire le plein d'essence avant de démarrer le moteur. Ne jamais retirer le bouchon du réservoir et ne pas ajouter d'essence lorsque le moteur tourne ou tant qu'il est chaud.
 - d. Si de l'essence se répand, ne pas démarrer le moteur. Déplacer la tondeuse en la poussant pour l'éloigner de la flaque d'essence et veiller à ce qu'aucune étincelle ne se produise tant que l'essence ne s'est pas évaporée.
 - e. Ne pas oublier de revisser le bouchon du réservoir et du jerrycan après avoir fait le plein.
 - Remplacer les pots d'échappement défectueux.
 - Avant l'emploi, vérifier l'état des lames et de leur support. Si ces éléments sont usés ou endommagés, les remplacer complètement pour conserver l'équilibre du dispositif.
 - La batterie (sur les machines à démarreur électrique) dégage des gaz explosifs. La conserver à l'écart des étincelles, flammes et cigarettes. Veiller à une bonne aération pendant que la batterie est en charge.
 - La batterie contient des matériaux toxiques. Veiller à ne pas l'endommager. Si l'extérieur de la batterie est endommagé, éviter tout contact avec son contenu.
 - Ne pas jeter les batteries usées ou défectueuses dans les poubelles. Renseignez-vous auprès de votre administration pour savoir comment vous en débarrasser en respectant l'environnement.
 - Ne pas provoquer de court-circuit dans la batterie. Cela provoquerait des étincelles susceptibles de mettre le feu.
- confinés où il existe un risque d'intoxication au monoxyde de carbone.
- Utiliser la machine uniquement à la lumière du jour ou dans des zones bien éclairées.
 - Porter des protections auditives.
 - Redoubler de vigilance à proximité d'obstacles qui masquent la vue.
 - Tenir les enfants à l'écart, sous la surveillance d'un adulte.
 - Faire attention en changeant de direction. Regarder derrière soi avant et pendant la marche arrière pour vérifier l'absence d'obstacles. Faire particulièrement attention aux enfants en bas âge.
 - Débrayer les lames et se mettre au point mort avant de démarrer le moteur.
 - Ne pas approcher les mains et les pieds des pièces en rotation. Attention aux lames. Ne pas se tenir devant l'orifice d'évacuation.
 - Éviter de tondre les pelouses humides.
 - Être particulièrement vigilant sur les terrains en pente. Ne pas démarrer ou s'arrêter brutalement sur un terrain en pente.
 - Débrayer progressivement. Rester en vitesse pendant toute la conduite et ne pas débrayer en descente.
 - Ne jamais tondre en suivant une trajectoire transversale à la pente. Se déplacer de haut en bas, et de bas en haut.
 - Accélérer lentement pour engager une vitesse, surtout si la pelouse est haute. Ralentir dans les pentes et dans les virages pour éviter de basculer ou de perdre le contrôle de la machine.
 - Éviter les trous dans le sol et les autres dangers potentiels.
 - Rester à distance des fossés et des bordures hautes. La machine risque de se renverser si la roue passe sur la bordure ou si la bordure s'effondre.
 - Prudence en cas de remorquage et d'utilisation de matériel lourd.
 - a. N'utiliser que des dispositifs de remorquage agréés.
 - b. Limiter la charge pour en garder le contrôle en toute sécurité.
 - c. Ne pas effectuer de virage brusque. Faire attention en changeant de direction.
 - d. Placer des poids sur les roues ou à l'avant de la tondeuse. Voir manuel.
 - Faire preuve de prudence à l'approche d'un carrefour ou d'une route.
 - Arrêter les lames sur les surfaces autres que de la pelouse.
 - Lorsque des accessoires sont montés sur la

tondeuse, ne jamais diriger l'évacuation vers des personnes se trouvant dans les parages. Écarter toute présence à proximité d'une tondeuse en marche.

- Ne jamais utiliser la machine si les protections et dispositifs de sécurité sont insuffisants.
- Il est interdit de déconnecter les dispositifs de sécurité ou d'en empêcher le fonctionnement. Vérifier l'état des dispositifs de sécurité avant chaque utilisation de la machine.
- Ne pas modifier le réglage du moteur. Ne pas pousser le moteur à plein régime. Le risque de blessure augmente lorsque le moteur tourne à plein régime.
- Certains éléments du moteur chauffent pendant l'utilisation. Ne pas les toucher sous peine de se brûler.
- Avant de quitter le siège du conducteur :
 - a. Neutraliser la prise de force et abaisser les accessoires.
 - b. Engager le point mort et serrer le frein à main.
 - c. Arrêter le moteur et retirer la clé.
- Utiliser exclusivement des accessoires approuvés par le fabricant.
- Ne pas utiliser la machine si les accessoires/outils ne sont pas fixés sur le châssis prévu à cet effet. L'utilisation de la tondeuse sans accessoires peut réduire sa stabilité.
- Attention : les bacs de ramassage et autres accessoires peuvent réduire la stabilité de la machine, surtout sur les terrains en pente.
- Immobiliser les accessoires, couper le moteur et débrancher la bougie ou enlever la clé du démarreur pour :
 - a. Retirer les branchages et autres éléments qui bouchent l'évacuation.
 - b. Inspecteur, nettoyer ou entretenir la machine.
 - c. Vérifier les éventuels dégâts et procéder aux réparations qui s'imposent avant de pouvoir réutiliser la machine à la suite d'un impact avec un corps étranger.
 - d. Inspecter la machine si elle se met à vibrer excessivement. (Vérifier immédiatement.)
- Immobiliser les accessoires pendant le transport ou lorsque la machine est arrêtée.
- Couper le moteur et immobiliser les accessoires avant de :
 - a. faire le plein de carburant.
 - b. retirer le bac de ramassage.
 - c. régler la hauteur, pour autant que cette opération ne puisse s'effectuer sans quitter le siège du conducteur.
- Ralentir avant de couper le moteur. Si l'arrivée

d'essence est équipée d'un robinet d'arrêt, fermer celui-ci à la fin du travail.

- Attention : sur les plateaux à lames multiples, une lame peut entraîner une autre dans sa rotation.
- La machine, équipée d'accessoires d'origine, ne peut en aucun cas être utilisée sur des pentes dont l'inclinaison est supérieure à 10°.
- Les lames originales ne peuvent être remplacées par des systèmes d'autres marques conçus, par ex. pour la scarification de la mousse. En cas d'utilisation de ces systèmes, la garantie cesse d'être valable. En outre, l'utilisation de matériel non conforme représente un danger pour les personnes et les biens.
- Le chargement et déchargement de la machine sur un tracteur ou un camion doit s'effectuer avec prudence.

2.4 MAINTENANCE ET REMISAGE

- Serrer tous les boulons et vis pour assurer la sécurité de la machine.
- Contrôler régulièrement le serrage des vis des lames.
- Contrôler régulièrement le fonctionnement des freins. L'entretien et l'éventuelle réparation des freins est un point vital.
- Ne pas stationner la machine à l'intérieur si son réservoir contient du carburant dont les émanations sont susceptibles d'entrer en contact avec des flammes nues ou des étincelles.
- Laisser refroidir le moteur avant de ranger la machine dans un local.
- Pour réduire le risque d'incendie, dégager l'herbe, les feuilles et l'excédent d'huile se trouvant sur le moteur, le pot d'échappement, la batterie et le réservoir.
- Vérifier régulièrement l'état du bac de ramassage.
- Pour garantir la sécurité, remplacer les pièces usées ou endommagées.
- N'utiliser que des pièces d'origine. L'utilisation d'autres types de pièces de rechange, même si elles s'adaptent à la machine, peut se révéler dangereuse.
- Remplacer les autocollants d'avertissement et d'instructions devenus illisibles.
- Si la machine n'est pas pourvue d'un dispositif de blocage pour le transport, le plateau de coupe doit être abaissé lorsque la machine est stationnée, rangée ou laissée sans surveillance.
- La vidange éventuelle du réservoir de carburant doit s'effectuer à l'extérieur.

- La machine doit être entreposée hors de portée des enfants.
- La batterie contient de l'acide. En cas de surcharge ou de dégâts, il peut y avoir une fuite d'acide.
- Ne jamais surcharger la batterie pour éviter qu'elle explose en projetant de l'acide dans tous les sens.
- Les projections d'acide dans les yeux ou sur la peau peuvent provoquer des blessures graves. En cas de contact avec de l'acide, rincer abondamment à l'eau claire et consulter le plus rapidement possible un médecin.
- L'inhalation de vapeurs d'acide peuvent provoquer des lésions des muqueuses et des organes internes. Consulter un médecin en cas d'inhalation.
- L'acide peut endommager sérieusement les outils, vêtements et autres éléments. Rincer immédiatement tout acide renversé.
- Ne pas provoquer de court-circuit aux bornes de la batterie. Cela provoquerait des étincelles susceptibles de mettre le feu. Éviter également tout contact entre les bijoux en métal et les bornes de la batterie.
- Si l'extérieur, le couvercle ou les bornes de la batterie sont endommagés ou qu'il y a des interférences au niveau des barrettes de connexion, remplacer immédiatement la batterie.

2.5 REMISAGE

Vidanger le réservoir d'essence. Démarrer le moteur et le laisser tourner jusqu'à ce qu'il s'arrête.

Faire le vidange d'huile lorsque le moteur est encore chaud.

Dévisser la bougie et verser une cuiller d'huile dans le cylindre. Donner quelques tours au moteur pour que l'huile se répartisse dans le cylindre. Remettre la bougie.

Nettoyer entièrement la machine. Une attention particulière doit être apportée à la propreté du plateau de coupe. Mettre une peinture antirouille sur les éclats.

Entreposer la machine dans un local sec.

Machines à allumage électrique :

Retirer la batterie. La conserver bien chargée dans un endroit frais (entre 0 °C et +15 °C).

Si la température de stockage est correcte, entretenir la batterie en la rechargeant tous les quatre mois.



La batterie contient des acides très corrosifs, agressifs pour la peau et les vêtements. Porter des gants en caoutchouc et des lunettes de protection. Ne pas inhaler les vapeurs d'acides.



Ne pas trop incliner la batterie pour éviter que de l'acide ne s'en échappe et coule sur les mains ou les vêtements. En cas de contact avec l'acide, rincer abondamment à l'eau.

3 ASSEMBLAGE



Pour éviter les risques de blessures ou de dégâts matériels, ne pas utiliser la machine avant d'avoir exécuté toutes les instructions.

3.1 Accessoires

La machine est livrée avec un sac en plastique qui contient des éléments à installer avant la première utilisation. Le sac contient (fig. 1) :

Pos.	N°	Désignation	Dimensions
B		Clé supplémentaire	
C	1	Goupille de tension	6 x 36
D	1	Rondelle de réglage	16 x 38 x 0,5
E	1	Rondelle de réglage	16 x 38 x 1,0
F	2	Rondelle de butée	
G	2	Vis	8 x 20
H	2	Papillon	
I	4	Rondelle	8,4 x 24 x 1,5
J	1	Plaque d'accouplement	
K	4	Vis	8 x 20
L	2	Écrou.	
M	2	Rondelle de butée	
N	2	Écrou pour batterie	
O	2	Vis	M10 x 35
P	2	Écrou	M10

Installé sur l'essieu avant à la livraison:

Pos	n°	Désignation
Q	2	Goupille
R	2	Rondelle

Attaché au dispositif de levage :

Pos	n°	Désignation
S	2	Montant du plateau

3.2 Carter de moteur

Pour faire le plein de carburant et procéder à l'inspection et à l'entretien du moteur et de la batterie, ouvrir le carter de moteur.



Le moteur doit être coupé pour ouvrir le carter.

3.2.1 Ouverture

1. Rabattre le siège vers l'avant en levant le dispositif de verrouillage (fig. 2).
2. Tirer vers le haut la sangle en caoutchouc située à l'avant du carter (fig. 3).
3. Saisir l'avant du carter moteur et le soulever (fig. 4).

3.2.2 Fermeture

1. Saisir l'avant du carter moteur et le refermer (fig. 4).
2. Attacher l'avant du carter au moyen de la sangle (fig. 3).



Ne pas utiliser la machine si le capot du moteur n'est pas fermé et verrouillé. Risque de brûlure et de blessure par écrasement.

3.3 Batterie

Voir "Batterie" 7.8".

3.4 Siège fig. 6

Relâcher la sécurité (S) et replier le support du siège.

Visser le support par les orifices arrière (supérieurs), comme suit :

1. Mettre les rondelles (F) sur les vis (K).
2. Guider les vis par les encoches du support. Placer une rondelle (I) entre le siège et le support.
3. Serrer les vis dans le siège. Couple de serrage : $9 \pm 1,7$ Nm.



Serrer davantage les vis endommagera le siège.

4. Vérifier que le siège coulisse facilement dans les encoches du support.

Visser le support par les orifices arrière (inférieurs), comme suit :

1. Placer les papillons (H) sur les vis (G).
2. Placer une rondelle (I) sur chaque vis.
3. Guider les vis par les encoches du support et les engager à la main.
4. Rabattre le siège et le placer dans la position souhaitée.
5. Serrer les papillons (H) à la main.



Ne pas utiliser d'outils sous peine d'endommager les papillons (H) et le siège.

Le siège est rabattable. Si la machine reste à l'extérieur sous la pluie, rabattre le siège pour éviter de mouiller les coussins.

Le siège possède un dispositif de verrouillage. Pour le replier, tirer la sécurité (S) vers le haut.

3.5 Volant

Voir fig. 7. Placer les rondelles de réglage (D) et/ou (E) entre la partie inférieure de la colonne de direction et le support comme suit pour minimiser le jeu latéral.

1. Assembler la jupe sur la colonne de direction et fixer l'ensemble en enfonçant la goupille de tension (C) à environ 1/3 de sa longueur.
2. Lever l'ensemble support/colonne.
3. De l'extérieur, vérifier si vous pouvez placer, entre les pièces, les deux rondelles, celle de 1 mm, celle de 0,5 mm ou aucune. Ne pas forcer ; un jeu axial limité est nécessaire.
4. Retirer la goupille et démonter la partie inférieure de la colonne.
5. Monter la ou les rondelles comme décrit au point 3 ci-dessus.
6. Installer la jupe sur la colonne de direction et fixer l'ensemble en enfonçant à fond la goupille de tension. Utiliser une clé de retenue.

3.6 Barre d'attelage

Voir fig. 8. Visser la barre d'attelage (J) au moyen des vis (L+K) dans les deux trous situés sous l'essieu arrière. Serrer fermement les vis.

Couple de serrage : 22 Nm.

3.7 Montants du plateau

La procédure qui suit décrit l'installation sur le côté droit de l'essieu. Les mêmes opérations doivent être répétées du côté gauche.

1. Avant l'installation, lubrifier à l'huile les extrémités de l'essieu et la surface des paliers des montants du plateau.
2. Installer les montants sur la machine conformément à la fig. 9.
3. Introduire la goupille (9:Q) dans le trou de l'essieu.

3.8 Pression des pneus

Vérifier la pression des pneus.

Pressions correctes :

À l'avant : 0,6 bar (9 psi).

À l'arrière : 0,4 bar (6 psi)

3.9 Accessoires

Pour le montage des accessoires, voir le manuel d'installation fourni séparément avec chaque élément.

Remarque : le plateau de coupe est considéré ici comme un accessoire.

4 DESCRIPTION

4.1 Transmission

4.1.1 HST

La machine est équipée de roues arrière motrices. L'essieu arrière est équipé d'une transmission hydrostatique à 5 rapports en marche avant et 1 en marche arrière, variables en continu.

L'essieu arrière est également équipé d'un différentiel pour faciliter le braquage.

Les outils montés à l'avant sont actionnés par courroies.

4.1.2 4WD

La machine possède 4 roues motrices. La puissance dégagée par le moteur est transmise aux roues par un système hydraulique. Le moteur actionne une pompe qui fait circuler de l'huile dans le dispositif d'entraînement des trains avant et arrière.

Les trains avant et arrière sont connectés en série, ce qui signifie que les roues avant et arrière tournent obligatoirement à la même vitesse.

Pour faciliter les manœuvres, les deux essieux sont équipés d'un différentiel.

Les accessoires montés à l'avant sont mus par les courroies d'entraînement.

4.2 Direction

La machine est articulée. Cela signifie que le châssis est divisé en deux sections, avant et arrière, qui pivotent l'une par rapport à l'autre.

Grâce au châssis articulé, la machine possède un rayon de braquage très faible qui lui permet de contourner arbres et obstacles.

4.3 Dispositifs de sécurité

La machine est équipée d'une sécurité électrique qui interrompt certaines activités susceptibles de provoquer des manœuvres dangereuses. Par exemple, le moteur ne démarre pas lorsque la pédale d'embrayage et de frein de stationnement est enfoncée.



Contrôler le fonctionnement du dispositif de sécurité avant chaque utilisation.

4.4 Commandes

4.4.1 Dispositif mécanique de levage des accessoires, (12:A)

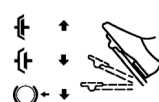
Pour passer de la position de travail à la position de transport :

1. Enfoncer à fond la pédale.
2. Relâcher la pédale progressivement.

4.4.2 Embrayage - frein de stationnement (12:B)



Ne jamais enfoncer cette pédale pendant les déplacements pour éviter toute surchauffe des organes de transmission.



La pédale se règle sur trois positions :

- **Relâchée.** L'embrayage n'est pas activé. Le frein de stationnement n'est pas activé.
- **Enfoncée à moitié.** La marche avant est désactivée. Le frein de stationnement n'est pas activé.
- **Totalement enfoncée.** La marche avant est désactivée. Le frein de stationnement est tout à fait activé mais n'est pas verrouillé. Cette position est également utilisée comme frein d'arrêt d'urgence.

4.4.3 Inhibiteur, frein de stationnement (12:C)



L'inhibiteur bloque la pédale « embrayage-frein » en position enfoncée. Cette fonction permet de circuler sur des terrains en pente, de transporter la machine, etc. lorsque le moteur est à l'arrêt.

Verrouillage :

1. Enfoncer à fond la pédale (12:B).
2. Déplacer l'inhibiteur (12:C) vers la droite.
3. Relâcher la pédale (12:B).
4. Relâcher l'inhibiteur (12:C).

Déverrouillage :

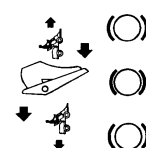
Enfoncer et relâcher la pédale (12:B).

4.4.4 Conduite - frein de service (12:F)



Si la machine ne freine pas comme prévu en relâchant la pédale, utiliser la pédale de gauche (12:B) comme frein d'arrêt d'urgence.

La pédale détermine le rapport de transmission entre le moteur et les roues motrices (= vitesse). Le frein de service est activé lorsque la pédale est relâchée.



1. Pédale enfoncée vers l'avant – la machine avance.
2. Pas de pression sur la pédale – la machine reste immobile.
3. Pédale enfoncée vers l'arrière – la machine recule.
4. Pression réduite sur la pédale – la machine freine.

4.4.5 Accélérateur et choke (12:D)

Réglage du régime moteur, permettant d'enrichir le mélange pour le démarrage à froid.



En cas d'irrégularité du moteur, il y a un risque que la commande ait été poussée trop loin en avant et que le choke soit activé. Outre les risques de dégâts au moteur, cela augmente la consommation de carburant et la pollution.



1. Choke – pour les démarrages à froid. Le choke est situé à l'avant de la rainure.

Ne pas utiliser dans cette position le moteur est chaud.



2. Plein régime – le mode plein régime doit toujours être enclenché lorsque la machine fonctionne.

Pour le plein régime, enfoncez la manette d'environ 2 cm par rapport à la position du choke.



3. Ralenti.

4.4.6 Démarreur (12:E)



Ne pas quitter la machine lorsque la clé est sur la position 2 ou 3 pour éviter tout risque d'incendie, de passage de carburant dans le moteur via le carburateur, de déchargement de la batterie et tout dégât en général.

Le contact permet de démarrer et d'arrêter le moteur. Quatre positions :



1. Arrêt – le moteur est court-circuité. La clé peut être retirée.



2/3. Position de conduite.



4. Démarrage – le démarreur électrique est activé lorsque la clé est tournée à fond dans la position de démarrage. Lorsque le moteur tourne, laisser revenir clé en position de marche 2/3.

4.4.7 Prise de force (13:G)



La prise de force ne peut jamais être engagée lorsque l'accessoire monté à l'avant est en position de transport. Cela aurait pour effet d'endommager la transmission par courroie.

Levier permettant d'enclencher et de débloquer la prise de force actionnant les accessoires montés à l'avant. Deux positions sont possibles :



1. Levier vers l'avant – prise de force désengagée.



2. Levier vers l'arrière – prise de force enclenchée.

4.4.8 Levier de débrayage

Levier permettant de débrayer la transmission variable.

Le modèle HST est équipé d'un levier connecté à l'essieu arrière. Voir (16:N).

Le modèle 4WD est équipé de deux leviers connectés à l'essieu arrière (17:O) et l'essieu avant (17:P).



Le levier d'embrayage ne doit jamais se trouver entre les positions extérieure et intérieure pour éviter de surchauffer le moteur et d'endommager la transmission.

Pour permettre de bouger la machine à la main, moteur éteint. Deux positions sont possibles :



1. Levier orienté vers l'intérieur – la transmission est activée pour un fonctionnement normal.
2. Levier orienté vers l'extérieur – transmission débrayée. La machine peut être déplacée manuellement.

Ne pas remorquer la machine sur de longues distances ou à des vitesses élevées pour éviter d'endommager la transmission.



Ne pas utiliser la machine lorsque le levier situé à l'avant est orienté vers l'extérieur pour éviter tout risque de dégâts et les fuites d'huile au niveau de l'essieu avant.

4.4.9 Siège (14:I)



Le siège est rabattable et se règle vers l'avant et l'arrière. Bloquer le siège en position relevée à l'aide du loquet (14:K) et le régler en longueur à l'aide des boutons (14:J).

Le siège est équipé d'un contacteur raccordé au dispositif de sécurité de l'engin. Cela signifie que certaines activités dangereuses seront impossibles lorsque personne n'est assis sur le siège.

4.4.10 Capot du moteur (15:L)



La tondeuse est équipée d'un capot qui s'ouvre pour donner accès à l'arrivée de carburant, à la batterie et au moteur. Le capot se bloque à l'aide d'une attache en caoutchouc.

Pour ouvrir le capot :

1. Détacher la sangle en caoutchouc (15:M) à l'extrémité avant du capot.
2. Relever prudemment le capot.

Refermer en procédant dans l'ordre inverse.



Ne pas utiliser la machine si le carter de moteur n'est pas fermé et verrouillé. Risque de brûlure et de blessure par écrasement.

5 UTILISATION

L'usage de la machine est réservé aux travaux suivants, avec les accessoires GGP d'origine recommandés.

Fonctionnement	Accessoires GGP d'origine
Tonte	Plateau de coupe 95 C (tous les modèles). Plateau de coupe 105 C (uniquement sur 4155 H).
Déneigement	Lame à neige. Chaînes à neige et poids de lestage recommandés.
Tonte du gazon et ramassage des feuilles	Collecteur tracté de 30" ou 42".
Transport du gazon de tonte et des feuilles	Remorque de transport Pro ou Combi.

La charge verticale maximum exercée sur la boule de remorquage doit être inférieure à 100 N.

La charge d'inertie maximum exercée sur la boule de remorquage par les accessoires tractés doit être inférieure à 500 N.

REMARQUE ! Avant d'utiliser un tracteur, contactez votre compagnie d'assurance.

REMARQUE ! Cette machine n'est pas conçue pour circuler sur la voie publique.

6 DÉMARRAGE ET CONDUITE



Ne pas utiliser la machine si le capot du moteur n'est pas fermé et verrouillé. Risque de brûlure et de blessure par écrasement.

6.1 Ajouter du carburant (18:Q)

Utiliser uniquement du carburant sans plomb. Ne jamais utiliser de mélange carburant-huile 2 temps.

Le réservoir a une contenance de 6 litres. Le niveau de carburant est visible au travers du réservoir transparent.

REMARQUE ! L'essence sans plomb ne se conserve pas indéfiniment et ne doit pas être stockée plus de 30 jours.

Des carburants respectueux de l'environnement, par ex. l'essence alkylate, peuvent également être utilisés. Par leur composition, ils ont un impact réduit sur la nature et la santé.



L'essence est très inflammable et doit être conservée dans des récipients spécialement conçus à cet effet.



Faire le plein d'essence uniquement à l'extérieur, et ne pas fumer pendant l'opération. Faire le plein de carburant avant de démarrer le moteur. Ne jamais enlever le bouchon du réservoir ou procéder au remplissage quand le moteur tourne ou est encore chaud.

Ne pas remplir le réservoir à ras bord. Laisser un espace (= au moins la longueur du pistolet + 1 ou 2 cm par rapport au-dessus du réservoir) pour que le carburant puisse se dilater sans déborder lorsqu'il se réchauffe (voir fig. 18).

6.2 Contrôle du niveau d'huile

À la livraison, le carter est rempli d'huile SAE 10W-30.

Vérifier le niveau d'huile avant chaque utilisation. Placer la machine sur un sol plat.



Nettoyer la zone autour de la jauge d'huile. La dévisser et la sortir du carter. Essuyer la jauge au moyen d'un chiffon. Réintroduire la jauge dans le carter et la visser à fond.

Dévisser la jauge et la ressortir. Lire le niveau d'huile sur la jauge. Si le niveau d'huile descend en dessous du repère « FULL », faire l'appoint (voir fig. 19).

Le niveau d'huile ne doit jamais dépasser la marque « FULL » pour éviter la surchauffe du moteur. Si le niveau dépasse la marque « FULL », il faut vidanger pour revenir à un niveau d'huile correct.

6.3 Contrôle du niveau d'huile de transmission

Vérifier le niveau d'huile avant chaque utilisation. Placer la machine sur un sol plat.

Vérifier le niveau d'huile dans le réservoir (20:R). Il doit se situer entre les repères MAX et MIN. Si nécessaire, faire l'appoint.

Type d'huile :

	Type d'huile
4WD	Huile de synthèse 5W-50.
HST	SAE 10W-30 (20W-50)

6.4 Contrôles de sécurité

Vérifier que les résultats des contrôles de sécurité sont atteints lors du test de la machine.



Procéder aux contrôles de sécurité avant chaque utilisation.



Si l'un des résultats ci-dessous n'est pas atteint, ne pas utiliser la machine et la faire contrôler par un atelier agréé !

6.4.1 Contrôle de sécurité générale

Objet	Résultat
Conduites de carburant et raccords.	Absence de fuites.
Câbles électriques.	Isolation intacte. Absence de dégâts mécaniques.
Échappement.	Absence de fuites aux raccords. Vis serrées.
Conduites d'huile	Absence de fuites. Absence de dégâts.
Faire avancer et reculer l'engin et relâcher la pédale de conduite-frein de service.	La machine s'arrête.
Test de pilotage	Pas de vibrations anormales. Pas de bruits anormaux.

6.4.2 Contrôle de sécurité générale



Contrôler le fonctionnement du dispositif de sécurité avant chaque utilisation.

Statut	Action	Résultat
Pédale embrayage-frein non enfoncée. Prise de force non enclenchée.	Essai de démarrage.	Le moteur ne peut pas démarrer.
Le moteur tourne. Prise de force enclenchée.	Le conducteur quitte son siège.	La prise de force doit se désactiver.
Le moteur tourne.	Retirer le fusible. Voir 20:S.	Le moteur doit s'arrêter.

6.5 Démarrage

- Ouvrir le robinet d'essence. Voir (21:U).
- Vérifier que les câbles sont raccordés aux bougies.
- Vérifier que la prise de force n'est pas activée.
- Ne pas laisser le pied sur l'accélérateur.
- Démarrage à froid du moteur – mettre la manette en position choke.
Démarrage à chaud – mettre la manette sur plein régime (environ 2 cm plus loin que la position choke).
- Enfoncer à fond la pédale embrayage-frein.
- Démarrer le moteur en tournant la clé de contact.
- Lorsque le moteur a été démarré en utilisant le choke, ramener progressivement la manette en position de plein régime (enfoncer d'environ 2 cm par rapport à la position choke).
- Ne pas utiliser la machine pour des travaux sous charge immédiatement après un démarrage à froid. Laisser d'abord tourner le moteur pendant quelques minutes pour permettre à l'huile de chauffer.

Le mode plein régime doit toujours être enclenché lorsque la machine fonctionne.

6.6 Conseils d'utilisation

Vérifier le niveau d'huile avant chaque utilisation. C'est particulièrement important pour travailler sur des terrains en pente. Voir "Contrôle du niveau d'huile" 6.2.



Être particulièrement vigilant sur les terrains en pente. Ne pas démarrer ou s'arrêter brutalement sur un terrain en pente. Ne jamais circuler perpendiculairement à une pente. Se déplacer de haut en bas, et de bas en haut.



La machine ne peut en aucun cas être utilisée sur des pentes dont l'inclinaison est supérieure à 10°.



Ralentir dans les pentes et dans les virages serrés pour éviter de basculer ou de perdre le contrôle de la machine.



Ne pas braquer à fond lorsque la machine est en vitesse supérieure et à plein régime. Dans cette situation, elle pourrait facilement basculer.



Garder les mains et les doigts à distance des éléments articulés et du support du siège. Risque de blessure par écrasement. Ne jamais utiliser la machine lorsque le carter moteur est ouvert.

6.7 Arrêt

Désactiver la prise de force. Serrer le frein de stationnement.

Laisser tourner le moteur au ralenti pendant 1 à 2 minutes. Stopper le moteur en tournant la clé. Fermer le robinet de carburant. Ce point est particulièrement important si la machine doit être transportée par camion, par exemple.



Si la machine est abandonnée sans surveillance, détacher le câble de la bougie d'allumage et la clé de contact.



Le moteur peut être très chaud immédiatement après l'arrêt. Ne pas toucher le pot d'échappement, le cylindre ni les ailettes de refroidissement. Risque de brûlure.

6.8 Nettoyage



Pour réduire le risque d'incendie, dégager l'herbe, les feuilles et l'excédent d'huile se trouvant sur le moteur, le pot d'échappement, la batterie et le réservoir de carburant.



Pour réduire le risque d'incendie, contrôler régulièrement que la machine ne présente aucune fuite d'huile et/ou de carburant.

Nettoyer la machine après chaque utilisation. Instructions de nettoyage :

- En cas de nettoyage de la machine avec de l'eau sous haute pression, ne pas diriger le jet directement vers les joints des essieux, les composants électriques ou les soupapes hydrauliques.
- Ne pas projeter d'eau directement sur le moteur.
- Nettoyer le moteur à l'aide d'une brosse et/ou à l'air comprimé.
- Nettoyer l'admission d'air de refroidissement du moteur (20:T).

7 ENTRETIEN

7.1 Programme d'entretien

Respecter le programme d'entretien GGP pour conserver la machine en bon état de marche, qui respecte l'environnement et reste sûre et fiable.

Les centres de service agréés garantissent un travail professionnel et l'utilisation de pièces d'origine.

7.2 Préparation

Les interventions d'entretien et de maintenance doivent être effectuées sur une machine à l'arrêt dont le moteur est coupé.



Bloquer la machine en serrant le frein à main.



Arrêter le moteur.



Déconnecter les câbles de bougies et retirer la clé de contact pour éviter tout démarrage intempestif.

7.3 Pression des pneus

Régler la pression des pneus comme suit :

À l'avant : 0,6 bar (9 psi).

À l'arrière : 0,4 bar (6 psi).

7.4 Remplacement de l'huile moteur

Remplacer l'huile une première fois après 5 heures d'utilisation, puis toutes les 50 heures d'utilisation ou une fois par saison.

Augmenter la fréquence des vidanges (toutes les 25 heures ou une fois par saison) si le moteur est soumis à rude épreuve ou si la température ambiante est élevée.

Utiliser de l'huile de comme indiqué dans le tableau ci-dessous.

Huile	SAE 10W-30
Classe de service	SJ ou supérieur

Choisir une huile sans additifs.

Ne pas trop remplir le réservoir d'huile pour éviter la surchauffe du moteur.

Vidanger l'huile quand le moteur est chaud.



L'huile moteur peut être très chaude si on l'évacue aussitôt après l'arrêt. Il est donc recommandé de laisser refroidir le moteur pendant quelques minutes avant d'effectuer la vidange.

1. Fixer la pince sur le tuyau de vidange. Utiliser un modèle polygrip ou similaire (voir fig. (21:V)).
2. Remonter la pince de 3 à 4 cm sur le tuyau de vidange et sortir le bouchon.
3. Récupérer l'huile dans un récipient.
REMARQUE ! Ne pas renverser d'huile sur les courroies d'entraînement.
4. Recycler l'huile conformément aux normes en vigueur.
5. Remettre le bouchon et attacher la pince en amont de celui-ci.
6. Retirer la jauge et ajouter de l'huile neuve dans le réservoir.
Volume d'huile : 1,4 litre.
7. Après avoir ajouté l'huile, démarrer le moteur et le laisser tourner au ralenti pendant 30 secondes.
8. Vérifier l'absence de fuites d'huile.
9. Arrêter le moteur. Attendre 30 secondes, puis contrôler le niveau d'huile conformément à "Contrôle du niveau d'huile" 6.2.

7.5 Transmission, huile (4WD)

L'huile de la transmission hydraulique doivent être vérifiés, réglés et remplacés à la fréquence indiquée dans le tableau ci-dessous.

Action	1re fois	Puis à intervalles de
	Heures de service	
Vérification – mise à niveau	-	50
Vidange d'huile.	50	200

Type d'huile : Huile de synthèse 5W-50.

Quantité d'huile lors d'une vidange : environ 3,5 litres.

7.5.1 Vérification - mise à niveau

Voir "Contrôle du niveau d'huile de transmission" 6.3".

7.5.2 Vidange

1. Faire fonctionner la machine en variant la vitesse pendant 10 à 20 minutes pour faire chauffer l'huile de transmission.
2. Mettre la machine complètement à l'horizontale.
3. Tirer sur les deux leviers d'embrayage comme indiqué sur la fig. 17.
4. Placer un récipient sous l'essieu arrière et sous l'essieu avant.

- 5 Retirer le carter de la courroie pour ouvrir le réservoir d'huile. Voir (20:R).



Seule une clé carrée 3/8" peut être utilisée pour le bouchon. D'autres outils pourraient endommager le bouchon.

6. Retirer le bouchon de l'essieu arrière. Nettoyer l'orifice et utiliser une clé carrée 3/8". Voir figure 22.
- 7 Retirer les 2 bouchons de vidange de l'essieu avant à l'aide d'une clé de 12 mm. Attendre que l'huile de l'essieu avant et des tuyaux se soit complètement écoulée. Voir fig. 23.
- 8 Vérifier l'état des joints des bouchons de vidange de l'essieu avant. Voir fig. 23. Remettre les bouchons. Couple de serrage : 15-17 Nm.



Le bouchon sera endommagé s'il est serré à plus de 5 Nm.

9. Vérifier l'état du joint du bouchon de l'essieu arrière. Voir (22:Y). Remettre de l'essieu arrière. Serrer fermement le bouchon à 5 Nm.
10. Vider l'huile de la partie plus profonde du réservoir en utilisant un extracteur d'huile. voir Fig. 24.
11. Se débarrasser de l'huile selon les réglementations en vigueur.

7.5.3 Remplissage du réservoir



Ne jamais laisser tourner le moteur lorsque le levier de débrayage arrière est enfoncé et que celui de devant est tiré.

Cela endommagerait les joints de l'essieu avant.

- 1 Verser de l'huile neuve dans le réservoir.



Prévoir un système d'extraction connecté au pot d'échappement de la machine lorsque celle-ci fonctionne à l'intérieur.

2. Vérifier que le levier de débrayage de l'essieu arrière est tiré.
- 3 Démarrer le moteur. Lorsque le moteur démarre, le levier de débrayage de l'essieu avant se positionne directement vers l'intérieur.
4. Tirer sur le levier de débrayage de l'essieu avant.

REMARQUE ! L'huile est aspirée très rapidement dans le système. Veiller à faire en permanence l'appoint du réservoir. Il est impératif que le système n'aspire pas d'air.

5. Mettre l'accélérateur en position avant et le bloquer en utilisant un morceau de bois. Voir fig. 25. Verser de l'huile neuve dans le réservoir.
6. Maintenir la position avant pendant une minute.
7. Retirer le morceau de bois et mettre l'accélérateur en position contraire. Continuer de verser de l'huile.

8. Maintenir la position contraire pendant une minute.
9. Changer le sens de la tonte toutes les minutes comme précédemment et continuer de verser de l'huile jusqu'à ce que le « bouillonnement » dans le réservoir s'arrête.
10. Éteindre le moteur, installer le carter du réservoir d'huile et fermer le carter du moteur.
11. Effectuer un test de roulage pendant plusieurs minutes et faire l'appoint d'huile dans le réservoir.

7.6 Courroies de transmission

Après 5 heures de service, vérifier l'état des courroies.

7.7 Direction

Vérifier et régler la direction après 5 heures de service, puis toutes les 100 heures.

7.7.1 Vérifications

Tourner légèrement le volant de gauche à droite pour vérifier que le mécanisme des chaînes ne présente pas de jeu.

7.7.2 Réglage

le cas échéant, régler les chaînes de direction comme suit :

1. Mettre les roues de la machine en position droite.
2. Régler les chaînes à l'aide des deux écrous situés au centre (voir fig. 27).
3. Serrer les deux écrous au même couple pour supprimer le jeu.
4. Effectuer un test de roulage et vérifier que le volant n'est pas décentré.
5. S'il est décentré, desserrer un écrou et resserrer l'autre.

Ne pas appliquer de tension trop forte sur les chaînes pour éviter de durcir la direction et d'augmenter l'usure des chaînes.

7.8 Batterie



Les projections d'acide dans les yeux ou sur la peau peuvent provoquer des blessures graves. En cas de contact avec de l'acide, rincer abondamment à l'eau claire et consulter le plus rapidement possible un médecin.

La batterie est du type à soupape avec une tension nominale de 12 V. La batterie est un modèle sans entretien. La seule maintenance requise consiste à la recharger, par exemple après une période d'inutilisation prolongée.



Charger complètement la batterie avant la première utilisation. La batterie doit être chargée au maximum lorsqu'on l'entrepose. Une batterie déchargée s'endommage lorsqu'elle est inutilisée.

7.8.1 Charge à l'aide du moteur

Pour recharger la batterie à l'aide du générateur de la machine :

1. Placer la batterie dans la machine comme illustré ci-dessous.
2. Installer la machine à l'extérieur ou raccorder un système d'extraction d'air au pot d'échappement.
3. Suivre les instructions du manuel pour démarrer le moteur.
4. Laisser tourner le moteur de manière ininterrompue pendant 45 minutes.
5. Arrêter le moteur. La batterie est à présent complètement rechargée.

7.8.2 Pour recharger la batterie à l'aide d'un chargeur

En cas d'utilisation d'un chargeur de batterie, utiliser un modèle à tension constante (disponible chez votre fournisseur).

L'utilisation d'un chargeur de type standard risque d'endommager la batterie.

7.8.3 Dépose/pose

La batterie est placée sous le carter moteur. Durant la dépose/installation, brancher les câbles comme suit :

- Pendant la dépose : déconnecter le câble noir de la borne négative (-) de la batterie. Déconnecter ensuite le câble rouge de la borne positive (+) de la batterie.
- À l'installation : Reconnecter en premier lieu le câble rouge à la borne positive (+) de la batterie. Reconnecter ensuite le câble noir à la borne négative (-) de la batterie.



Déconnecter ou reconnecter les câbles dans le mauvais ordre risque de provoquer un court-circuit et d'endommager la batterie.



L'inversion des câbles endommage le générateur et la batterie.



Ne jamais laisser tourner le moteur lorsque la batterie est déconnectée pour ne pas endommager le générateur et le système électrique.

7.8.4 Nettoyage

Nettoyer les traces d'oxydation qui peuvent apparaître sur les bornes. Nettoyer les bornes au moyen d'une brosse en métal, puis les graisser.

7.9 Filtre à air, moteur

Nettoyer ou remplacer le préfiltre (en mousse) après 25 heures de service.

Nettoyer ou remplacer le filtre à air (en papier) après 100 heures de service.

REMARQUE ! Augmenter la fréquence de nettoyage ou de remplacement des filtres lorsque la machine est utilisée sur des terrains poussiéreux.

Retirer et installer les filtres à air comme suit :

1. Nettoyer soigneusement autour du couvercle du filtre à air.
2. Démonter le couvercle du filtre à air (26:A) en retirant les deux clips.
3. Démonter l'ensemble filtre (26:B). Le préfiltre est placé sur le filtre à air. Veiller à ce qu'aucune saleté ne tombe dans le carburateur. Nettoyer le support du filtre à air.
4. Nettoyer le filtre en papier en le tapotant sur une surface plane. En cas d'encrassement intense, remplacer le filtre.
5. Remplacer le préfiltre. En cas d'encrassement intense, remplacer le filtre.
6. Pour remonter le filtre, répéter les opérations dans l'ordre inverse.

Ne pas utiliser de solvants à base de pétrole (par ex. du kérosène) ni d'air comprimé pour nettoyer le filtre en papier afin ne pas l'endommager.

7.10 Bougie d'allumage

Remplacer les bougies d'allumage toutes les 200 heures de service (c'est-à-dire lors d'une entretien sur deux).

Nettoyer autour de la bougie avant de la débrancher.

Bougie d'allumage : Champion RC12YC ou équivalent.

Écart entre les électrodes : 0,75 mm.

7.11 Admission d'air

Voir 9:T. Le moteur est refroidi à l'air. Il peut être endommagé en cas de défaillance du système de refroidissement. Nettoyer l'admission d'air du moteur toutes les 50 heures de service. Le système de refroidissement est nettoyé de manière plus approfondie lors de chaque entretien de base.

7.12 Lubrification

Lubrifier les points de graissage toutes les 50 heures de service, conformément au tableau ci-dessous, ainsi qu'après chaque lavage.

Objet	Action	Figure
Point central	4 nipples de graissage. Appliquer de la graisse universelle à l'aide d'un pistolet. Pomper jusqu'à ce que la graisse sorte de l'embout.	28
Chaîne de direction	Nettoyer les chaînes à l'aide d'une brosse métallique. Lubrifier à l'aide d'un vaporisateur de graisse universelle pour chaînes.	-
Tendeurs	Lubrifier les paliers de graissage à l'aide d'une burette en activant toutes les commandes. Pour plus de facilité, travailler à deux.	29
Câbles de commande	Lubrifier les extrémités des câbles à l'aide d'une burette en activant toutes les commandes. Travailler à deux.	29

7.13 Fusible

En cas de panne électrique, vérifier/remplacer le fusible, 20A. Voir 20:S.

8 BREVET - ENREGISTREMENT

Cette machine et les pièces qui la composent sont enregistrées sous le n° de brevet :
SE9901091-0, SE9901730-3, SE9401745-6,
US595 7497, FR772384, DE69520215.4,
GB772384, SE0301072-5, SE04/000239 (PCT),
SE0401554-1, SE0501599-5.

9 CONDITIONS GÉNÉRALES D'ACHAT

Une garantie totale couvre les défauts matériels et les vices de fabrication. L'utilisateur est tenu de suivre scrupuleusement les instructions contenues dans la documentation fournie.

Période de garantie

Usage privé : deux ans à partir de la date d'achat.

Batteries : six mois à partir de la date d'achat.

Exceptions

Sont exclus de la garantie les dégâts consécutifs à :

- la méconnaissance du contenu de la documentation fournie
- la négligence
- un usage ou un assemblage incorrects ou non autorisés
- l'utilisation d'autres éléments que les pièces d'origine
- l'utilisation d'accessoires non fournis ou non agréés par GGP

Sont également exclus de la garantie :

- l'usure des éléments tels que les lames, courroies, roues et câbles
- l'usure normale
- le moteur et la transmission, qui sont couverts par la garantie fournie par leur fabricant et font l'objet de conditions générales séparées.

L'acquéreur est protégé par les lois nationales de chaque pays. La présente garantie ne limite en aucun cas les droits dont il dispose dans le cadre de ces législations.

10 ENTRETIEN

Pour la réparation et l'entretien des machines, s'adresser à un service agréé qui n'utilisera que des pièces d'origine.

Les pièces de rechange et accessoires d'origine GGP sont spécifiquement conçus pour les machines GGP. Les pièces de rechange et accessoires d'autres marques n'ont été ni testés ni approuvés par GGP.



L'utilisation de pièces et accessoires d'autres marques peut affecter le fonctionnement de la machine et en compromettre la sécurité. GGP décline toute responsabilité pour les dégâts ou blessures occasionnés par ces produits.

Les pièces d'origine sont fournies par des services spécialisés et par de nombreux revendeurs.

Leurs adresses sont renseignées sur le site GGP : www.GGP.com.

Il est recommandé de confier l'entretien, la maintenance et l'inspection des dispositifs de sécurité une fois par an à un service spécialisé.

11 CONDITIONS GÉNÉRALES D'ACHAT

Une garantie totale couvre les défauts matériels et les vices de fabrication. L'utilisateur est tenu de suivre scrupuleusement les instructions contenues dans la documentation fournie.

Période de garantie

Usage privé : deux ans à partir de la date d'achat.

Batteries : six mois à partir de la date d'achat.

Exceptions

Sont exclus de la garantie les dégâts consécutifs à :

- la méconnaissance du contenu de la documentation fournie
- la négligence
- un usage ou un assemblage incorrects ou non autorisés
- l'utilisation d'autres éléments que les pièces d'origine
- l'utilisation d'accessoires non fournis ou non agréés par GGP

Sont également exclus de la garantie :

- l'usure des éléments tels que les lames, courroies, roues et câbles
- l'usure normale
- le moteur et la transmission, qui sont couverts par la garantie fournie par leur fabricant et font l'objet de conditions générales séparées.

L'acquéreur est protégé par les lois nationales de chaque pays. La présente garantie ne limite en aucun cas les droits dont il dispose dans le cadre de ces législations.

12 ENVIRONNEMENT

Par respect de l'environnement, merci d'accorder une attention particulière aux points suivants :

- Utiliser des carburants qui respectent le plus possible l'environnement.
- Utiliser un entonnoir et/ou un jerrycan avec protection contre le trop-plein pour éviter le gaspillage de carburant.
- Ne pas remplir le réservoir à ras bord.
- Ne pas trop remplir le réservoir d'huile moteur et/ou de transmission (voir le manuel de l'utilisateur pour les quantités exactes).
- Récupérer l'huile de vidange sans en renverser. Déposer l'huile usagée dans une station de recyclage.
- Ne pas jeter les anciens filtres à huile à la poubelle. Les confier à une station de recyclage.
- Ne pas jeter les batteries au plomb à la poubelle. Les déposer dans une station de recyclage.
- Remplacer le pot d'échappement lorsqu'il est

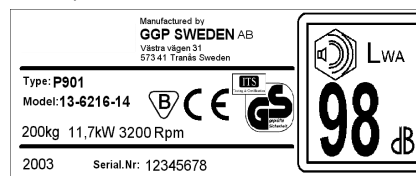
endommagé. Utiliser exclusivement des pièces d'origine pour effectuer les réparations.

- Le cas échéant, remplacer le convertisseur catalytique lorsqu'il est endommagé.
- Le réglage du carburateur doit être confié à un technicien spécialisé.
- Nettoyer le filtre à air suivant les instructions (voir manuel).

13 IDENTIFICATION

Le produit est identifié par deux éléments :

1. La référence et le numéro de série de la machine,



2. Le modèle, le type et le numéro de série du moteur.

Ces numéros d'identification devront être communiqués pour les entretiens, réparations et achats de pièces.

Pour la facilité, inscrire ces numéros sur la dernière page de ce carnet.

GGP se réserve le droit de modifier le produit sans avis préalable.

1 ALGEMEEN



Dit symbool geeft een **WAARSCHUWING** weer. Als de instructies niet nauwkeurig worden opgevolgd, kan dit leiden tot ernstige persoonlijke verwondingen en/of schade.



Voordat u deze machine in gebruik neemt, moet u de gebruiksaanwijzing en de meegeleverde "VEILIGHEIDSVORSCHRIFTEN" zorgvuldig doornemen.

1.1 Symbolen

Op de machine ziet u de volgende symbolen om u eraan te herinneren dat voorzichtigheid en oplettendheid bij gebruik en tijdens onderhoud geboden is.

Betekenis van de symbolen:



Waarschuwing!

Lees vóór gebruik van de machine de gebruikershandleiding en de veiligheidsvoorschriften.



Waarschuwing!

Kijk uit voor weggegooide voorwerpen. Houd omstanders op afstand.



Waarschuwing!

Draag altijd gehoorbescherming.



Waarschuwing!

Deze machine is niet bedoeld voor rijden op de openbare weg.



Waarschuwing!

U mag met de machine, uitgerust met de originele accessoires, niet rijden op een helling met een grotere hellingshoek dan 10°.



Waarschuwing!

Knelgevaar. Blijf met uw handen uit de buurt van de middensturing.



Waarschuwing!

Kans op brandwonden. Raak de geluidsdemper/katalysator niet aan.

1.2 Accessoires

Er zijn drie versies van de Park Compact beschikbaar. In de tabel hieronder worden ze aangeduid:

Machine	Typeaanduiding
4135 H met hydrostatische transmissie.	HST
4155 H met hydrostatische transmissie.	HST
4155 H met hydrostatische transmissie en vierwielaandrijving.	4WD

1.3 Verwijzingen

1.3.1 Afbeeldingen

De afbeeldingen in deze gebruikershandleiding zijn genummerd met 1, 2, 3 etc.

Onderdelen in afbeeldingen worden aangegeven met A, B, C etc.

Een verwijzing naar onderdeel C in afbeelding 2 wordt als volgt weergegeven: "2:C".

1.3.2 Titels

De titels in deze gebruikershandleiding zijn op de volgende manier genummerd:

"1.3.1 Algemene veiligheidscontrole" is een subtitel van "1.3 Veiligheidscontrole" en wordt onder deze titel vermeld.

Wanneer naar een titel wordt verwezen, wordt alleen het nummer van deze titel aangegeven. Bijvoorbeeld "Zie 1.3.3".

2 VEILIGHEIDSVORSCHRIFTEN

2.1 ALGEMEEN

- Lees deze voorschriften zorgvuldig door. Zorg dat u bekend bent met alle bedieningsmechanismen en het juiste gebruik van de machine.
- Alle bestuurders moeten zich voor gebruik aanmelden voor praktische training in de bediening van de machine, en deze ook volgen. Hierbij moet met name worden gelet op het feit dat:
 - a. u wanneer u een zitmaaier bedient zorgvuldig en geconcentreerd te werk moet gaan.
 - b. het op hellingen niet mogelijk is een schuivende zitmaaier onder controle te houden door te remmen. De belangrijkste redenen voor het verliezen van de controle zijn: te weinig tractie, een uitzonderlijk hoge snelheid, te weinig remmen, het feit dat de machine niet geschikt is voor de taak, te weinig aandacht aan het grondoppervlak of onjuist gebruik als een sleepvoertuig.
- Laat de machine nooit door kinderen gebruiken of door iemand die niet op de hoogte is van deze instructies. In gemeentelijke verordeningen kunnen beperkingen worden aangegeven voor de leeftijd van de bestuurder.
- Gebruik de machine nooit wanneer anderen, met name kinderen of dieren, in de buurt zijn.
- De bestuurder is aansprakelijk voor ongelukken bij anderen of schade aan het eigendom van anderen.
- Laat nooit kinderen of andere passagiers op de machine met u meerijsen. Ze kunnen er van af vallen en ernstig gewond raken, of u kunt de machine hierdoor niet meer veilig besturen.

- Gebruik de machine niet wanneer u onder invloed bent van alcohol, drugs of geneesmiddelen. Gebruik de machine ook niet wanneer u moe bent of zich niet lekker voelt.

2.2 VOORBEREIDING

- Draag stevige schoenen en een lange broek wanneer u de machine gebruikt. Gebruik de machine niet op blote voeten of met sandalen.
- Draag geschikte kleding wanneer u de machine gebruikt. Draag geen loshangende kleding, sieraden, een sjaal, een das enzovoort. Deze kunnen in de draaiende onderdelen vast komen te zitten. Steek lang haar op.
- Controleer zorgvuldig het gebied dat u wilt maaien/sneeuwvrij wilt maken. Verwijder alle losse stenen, takjes, stukken ijzerdraad of andere vreemde voorwerpen die door de machine kunnen worden uitgeworpen.
- Waarschuwing - benzine is uiterst brandbaar.
 - a. Bewaar benzine altijd in een verpakking die daarvoor speciaal is bedoeld.
 - b. U mag de machine alleen buiten met benzine (bij)vullen. Rook nooit wanneer u de machine met benzine (bij)vult.
 - c. Vul de machine met benzine voordat u de motor start. Verwijder nooit de vuldop en vul de machine nooit met benzine wanneer de motor loopt of nog warm is.
 - d. Start nooit de motor wanneer u benzine hebt gemorst, maar verwijder de machine van de plaats waar u benzine hebt gemorst en probeer te voorkomen dat er vonken ontstaan totdat de benzine is verdampt.
 - e. Vergeet niet na het vullen de dop op de benzinetank en het vat te schroeven.
- Vervang defecte dempers.
- Controleer voor gebruik altijd of de messen en de bevestigingsonderdelen niet zijn versleten of beschadigd. Vervang versleten of beschadigde onderdelen als een set, zodat de juiste balans behouden blijft.
- De accu (op elektrisch gestarte machines) geeft explosieve gassen af. Houd de machine uit de buurt van vonken, vuur en sigaretten. Zorg dat er bij het opladen voldoende ventilatie is.
- De accu bevat giftige stoffen. Beschadig de accubehuizing niet. Zorg wanneer de behuizing is beschadigd dat u niet in aanraking komt met de inhoud van de accu.
- Gooi oude, defecte accu's niet bij het afval. Vraag bij uw gemeente na hoe u de accu op de juiste manier moet weggooien.
- Zorg dat de accu geen kortsluiting maakt. Hierbij kunnen vonken ontstaan, waardoor brand kan worden veroorzaakt.

2.3 RIJDEN

- Start de motor volgens de instructies in de handleiding. Houd uw voeten uit de buurt van de messen.
- Laat de motor niet lopen in besloten ruimten waar gevaarlijke koolmonoxidegassen zich kunnen verzamelen.
- Gebruik de machine alleen overdag of bij goede verlichting.
- Gebruik altijd gehoorbescherming.
- Rijd voorzichtig wanneer u obstakels nadert die uw zicht beperken.
- Houd kinderen altijd uit de buurt van het werkgebied van de machine. Zorg dat een andere volwassene op de kinderen let.
- Rijd voorzichtig achteruit. Kijk voordat en terwijl u achteruit rijdt, achter u om te controleren of er geen obstakels aanwezig zijn. Kijk uit met kleine kinderen.
- Zet de messen en de verbinding los voordat u de motor start.
- Houd uw handen of voeten nooit bij of onder draaiende onderdelen. Kijk uit voor de messen. Ga nooit recht voor de uitvoeropening staan.
- Gebruik de machine niet op een nat gazon.
- Rijd voorzichtig op hellingen. Start of stop niet plotseling wanneer u een helling op- of afrijdt.
- Laat het koppelingspedaal langzaam los. Rijd altijd met het koppelingspedaal omlaag en laat het pedaal niet los wanneer u een helling af rijdt.
- Rijd nooit dwars op de helling. Rijd van boven naar beneden, en van beneden naar boven.
- Gebruik een lage versnelling wanneer u de aandrijving inschakelt, met name in lang gras. Neem gas terug op hellingen en wanneer u scherpe bochten maakt, om te voorkomen dat de machine kantelt of u de controle over de machine verliest.
- Let goed op gaten in de grond en andere verborgen gevaren.
- Rijd niet te dicht bij greppels of hoge randen. De machine kan omvallen wanneer een wiel over de rand komt of wanneer de rand afbreekt.
- Ga zorgvuldig te werk wanneer u iets sleept of zware apparatuur gebruikt.
 - a. Gebruik alleen een goedgekeurde sleepinrichting.
 - b. Houd de lading beperkt, zodat u deze goed onder controle kunt houden.
 - c. Maak geen plotselinge bochten. Rijd voorzichtig achteruit.
 - d. Gebruik wielgewichten of een gewicht op de voorzijde wanneer dit in de handleiding wordt aanbevolen.

- Let goed op het verkeer bij kruispunten of in de buurt van wegen.
- Stop de messen wanneer u tijdens het maaien over een ander oppervlak dan gras rijdt.
- Richt wanneer u accessoires gebruikt de uitvoer nooit op iemand die ernaast staat, en laat niemand bij de machine staan wanneer deze is ingeschakeld.
- Gebruik de machine nooit met te weinig bescherming of zonder dat de veiligheidsmechanismen zijn geplaatst.
- U mag bestaande veiligheidsmechanismen niet losmaken of uitschakelen. Controleer elke keer voordat u de machine gebruikt of de veiligheidsmechanismen werken.
- Verander de instelling van de regelaar van de motor niet en laat de motor niet op een te hoog toerental lopen. Bij hoge toerentallen van de motor neemt de kans op persoonlijk letsel toe.
- Raak machineonderdelen die tijdens gebruik warm worden, niet aan. U loopt dan de kans op brandwonden.
- Verlaat de zitplaats van de bestuurder alleen wanneer u:
 - a. het krachtafneempunt hebt uitgeschakeld en de accessoires omlaag hebt gezet.
 - b. de versnelling in de neutrale stand hebt gezet en de parkeerrem hebt geactiveerd.
 - c. de motor hebt uitgeschakeld en de sleutel hebt verwijderd.
- Gebruik alleen accessoires die zijn goedgekeurd door de fabrikant van de machine.
- U mag de machine niet gebruiken zonder dat u in de gereedschapsbevestigingspunten van de machine accessoires/gereedschappen hebt geplaatst. Rijden zonder accessoires kan een negatief effect hebben op de stabiliteit van de machine.
- Ga voorzichtig te werk wanneer u een grasopvangbak of andere accessoires gebruikt. Hierdoor kan de stabiliteit van de machine veranderen. Dit geldt met name op hellingen.
- Schakel de aandrijving van de accessoires uit, schakel de motor uit en maak de bougiekabel los of verwijder het contactsleuteltje:
 - a. wanneer u takjes en vuil moet verwijderen als de uitvoer verstopt is geraakt.
 - b. wanneer u de machine wilt controleren, reinigen of onderhoud aan de machine wilt verrichten.
 - c. wanneer u wilt controleren of er schade is ontstaan en reparaties wilt uitvoeren voordat u de machine na een botsing met een vreemd voorwerp weer start en in gebruik neemt.
 - d. Wanneer u de machine wilt controleren wanneer deze sterk begint te trillen. (Controleer de machine direct.)
- Maak de aandrijving naar de accessoires los tijdens transport of wanneer u de machine niet gebruikt.
- Schakel de motor uit en maak de aandrijving naar de accessoires los:
 - a. voordat u de machine met benzine vult.
 - b. voordat u de grasopvangbak verwijdert.
 - c. voordat u de hoogte aanpast, wanneer dit niet mogelijk is vanaf de positie van de bestuurder.
- Zet de machine in een lagere versnelling wanneer u de motor wilt uitschakelen. Wanneer de motor is uitgerust met een brandstofafsluiter, moet u deze uitschakelen wanneer het werk klaar is.
- Wees voorzichtig wanneer u een machine hebt met meerdere maaidekken, want als er één mes draait, kunnen de andere messen ook gaan draaien.
- U mag met de machine, uitgerust met de oorspronkelijke accessoires, niet rijden op een helling met een steilere hellingshoek dan 10°.
- De oorspronkelijke messen van het maaidek mogen niet worden vervangen door niet-oorspronkelijke messen die bijvoorbeeld zijn bedoeld voor verwijdering van mos. Wanneer u dergelijke messen gebruikt, vervalt de garantie. Ook bestaat de kans op ernstig letsel of schade aan personen of eigendom.
- Ga voorzichtig te werk bij het laden en ontladen van de machine op een vrachtwagen of aanhangwagen.

2.4 ONDERHOUD EN OPBERGEN

- Zet alle schroeven en moeren zo vast dat de machine veilig kan worden gebruikt.
- Controleer regelmatig of de schroeven van de messen van het maaidek stevig vast zitten.
- Controleer regelmatig de werking van de remmen. Onderhoud de remmen goed en repareer ze indien nodig.
- Berg de machine nooit op met benzine in de tank in gebouwen waar de dampen in aanraking kunnen komen met open vuur of vonken.
- Laat de motor afkoelen voordat u de machine opbergt.
- Zorg ter voorkoming van brandgevaar dat er geen gras, bladeren of overtollige olie in de motor, demper, accu en benzinetank komen.
- Controleer regelmatig of de grasopvangbak is versleten of beschadigd.
- Vervang versleten of beschadigde onderdelen voor de veiligheid.

- Gebruik altijd originele reserveonderdelen. Niet-originele reserveonderdelen kunnen verwondingen veroorzaken, ook al passen ze in de machine.
- Vervang beschadigde waarschuwings- en instructiestickers.
- Wanneer er geen mechanische vergrendeling aanwezig is voor de transportpositie, moet u het maaidek omlaag zetten wanneer u de machine parkeert, opbergt of onbewaakt achterlaat.
- Wanneer u de benzinetank moet leegmaken, moet u dit buiten doen.
- Berg de machine zo op dat kinderen deze niet kunnen bereiken.
- De accu bevat zuur. Bij mechanische schade of overlading kan het zuur uit de accu lekken.
- Overlaad de accu nooit. Door overlading van de accu kan deze ontploffen, waarbij het zuur alle kanten opspat.
- Als u het zuur in uw ogen of op uw huid krijgt, kan dit ernstig letsel veroorzaken. Als er zuur op uw lichaam terecht komt, moet u het betreffende lichaamsdeel onmiddellijk afspoelen met een ruime hoeveelheid water en zo snel mogelijk medische hulp zoeken.
- Zuurdampen kunnen bij inademing letsel veroorzaken aan slijmvliezen en andere inwendige organen. Zoek onmiddellijk medische hulp als u zuurdampen hebt ingeademd.
- Zuur kan ernstige schade veroorzaken aan gereedschappen, kleding en ander materiaal. Spoel gemorst zuur onmiddellijk weg met water.
- Zorg dat de accu geen kortsluiting maakt, want dan kunnen er vonken en brand ontstaan. Zorg dat metalen sieraden niet in contact kunnen komen met de accupolen.
- Als er schade is ontstaan aan de behuizing, het deksel of de contactpunten van de accu of als er interferentie optreedt bij de strip die over de kleppen ligt, moet de accu vervangen worden.

2.5 OPBERGEN

Maak de benzinetank leeg. Start de motor en laat deze lopen totdat ze stopt.

Vervang de olie terwijl de motor nog warm is.

Schroef de bougie los en giet een eetlepel olie in de cilinder. Laat de motor enkele slagen draaien zodat de olie in de cilinder wordt verspreid. Plaats de bougie.

Reinig de volledige machine. Het is met name belangrijk om onder het maaidek te reinigen. Werk beschadigde verf bij om roest te voorkomen.

Berg de machine binnen op een droge plaats op.

Machines met een elektrische starter:

Verwijder de accu. Bewaar deze goed opgeladen op een koele plaats (tussen de 0°C en de 15°C)

Op de juiste bewaartemperatuur zou de accu elke vier maanden moeten worden opgeladen.



Het accuzuur is extreem bijtend en kan verwondingen en beschadigingen aan de huid en aan kleding veroorzaken. Draag altijd rubberen handschoenen en een bril (veiligheidsbril) om uw ogen te beschermen. Adem geen zuurdampen in.



Laat de accu niet te veel hellen, want dan kan het accuzuur eruit lopen op de handen of de kleding. Spoel wanneer dit gebeurt, het zuur met veel water af.

3 MONTAGE



Om verwondingen en schade te voorkomen, dient u de machine niet te gebruiken voordat alle aangegeven maatregelen in deze gebruiksaanwijzing zijn opgevolgd.

3.1 Accessoires

Bij de machine wordt een plastic tas geleverd met daarin alle onderdelen die vóór gebruik gemonteerd moeten worden. De tas bevat de volgende onderdelen (afb. 1):

Aand.	Aantal	Omschrijving	Afmeting
B		Reservesleutel	
C	1	Spanpin	6 x 36
D	1	Afstandsring	16 x 38 x 0,5
E	1	Afstandsring	16 x 38 x 1,0
F	2	Borstring	
G	2	Schroef	8 x 20
H	2	Vleugelmoer	
I	4	Ring	8,4 x 24 x 1,5
J	1	Trekplaat	
K	4	Schroef	8 x 20
L	2	Moer	
M	2	Schroef voor accu	
N	2	Moer voor accu	
O	2	Schroef	M10 x 35
P	2	Moer	M10

Gemonteerd geleverd op de voorassen:

Aand.	Aantal	Omschrijving
Q	2	Borgpin
E	2	Ring

Bevestigd op gereedschapslift:

Aand.	Aantal	Omschrijving
S	2	Maaidekophanging

3.2 Motorkap

Om bij te tanken en de motor en de accu te inspecteren en onderhouden, opent u de motorkap.



De motor mag niet draaien als u de kap opent.

3.2.1 Openen

1. Trek de stoelvergrendeling (afb. 2) omhoog en kantel de stoel voorover.
2. Trek de rubberband aan de voorzijde van de kap omhoog (afb. 3).
3. Pak de motorkap aan de voorrand vast en draai de kap omhoog (afb. 4).

3.2.2 Sluiten

1. Pak de motorkap aan de voorrand vast en draai de kap omlaag (afb. 4).
2. Maak de rubberband aan de voorzijde van de kap vast (afb. 3).



De machine alleen gebruiken met gesloten en vergrendelde kap. Anders bestaat er een kans op brandwonden en kunt u bekneld raken.

3.3 Accu

Zie "Accu 7.8".

3.4 Zitting, afb. 6

Maak de vergrendeling (S) los en klap de zittinghouder naar voren.

Plaats de bevestiging als volgt in de achterste (bovenste) gaten:

1. Draai de borstringen (F) op de schroeven (K).
2. Duw de schroeven in de gaten van de zittinghouder. Plaats een sluitring (I) tussen de zitting en de houder.
3. Draai de schroeven vast in de zitting. Aanhaalmoment: $9 \pm 1,7$ Nm.



Als het aanhaalmoment groter dan $9 \pm 1,7$ Nm is, raakt de zitting beschadigd.

4. Zorg dat de zitting eenvoudig in de gaten van de houder valt.

Plaats de bevestiging als volgt in de voorste (onderste) gaten:

1. Draai de vleugelmoeren (H) op de schroeven (G).
2. Plaats een sluitring (I) op elke schroef.
3. Duw de schroeven door de gaten in de houder en draai ze met de hand vast in de zitting.
4. Klap de zitting terug in de gewenste positie.
5. Draai de vleugelmoeren (H) met de hand vast.



De vleugelmoeren (H) en de zitting raken beschadigd als u gereedschap gebruikt.

De zitting kan worden opgeklapt. Als de machine buiten in de regen staat, klapt u de zitting naar voren zodat het kussen niet nat wordt.

De stoel is vergrendeld. Om de stoel op of terug te klappen, trekt u eerst de vergrendeling (S) naar boven.

3.5 Stuurwiel

Zie afb. 7. Voor een minimale speling van de stuurkolom moeten de afstandsringen (D) en/of (E) als volgt tussen de stuurkolombus en de -houder worden geplaatst.

1. Plaats de stuurkolombus op de stuurkolom en zet de bus vast door de spanstift (C) er voor ongeveer 1/3 in te steken.
2. Trek de bus en de stuurkolom omhoog.
3. Controleer aan de buitenkant of er geen sluitringen, de sluitring van 0,5 mm, de sluitring van 1,0 mm of beide sluitringen in het gat kunnen worden geplaatst. Forceer de ring(en) niet, er moet een klein beetje speling zijn.
4. Trek de splitpen eruit en maak de stuurkolombus open.
5. Plaats de ring(en) volgens punt 3 hierboven.
6. Plaats de stuurkolombus op de stuurkolom en vergrendel deze door de spanstift er volledig in te steken. Zorg dat deze pen geborgd is.

3.6 Trekhaak

Zie afb. 8. Monteer trekhaak (J) in de twee gaten aan de onderzijde van de achteras met de schroeven (L+K). Draai de schroeven stevig vast.

Aanhaalmoment: 22 Nm.

3.7 Maaidekophangingen

Hier wordt alleen de installatie op de rechteras beschreven. Voor de linker as geldt dezelfde procedure.

1. Smeer de asuiteinden van de machine en de lagers van de snelsluitingen voor de installatie met olie.
2. Monteer de maaidekophangingen volgens afb. 9 op de machine.
3. Plaats de borgpin (9:Q) in de opening op de as.

3.8 Bandenspanning

Controleer de bandenspanning. De juiste waarden zijn:

Voor: 0,6 bar (9 psi).

Achter: 0,4 bar (6 psi)

3.9 Accessoires

Voor de montage van accessoires kijkt u in de aparte montagehandleiding die bij iedere accessoire wordt geleverd.

Opmerking: Het maaidek is als accessoire leverbaar.

4 BESCHRIJVING

4.1 Aandrijving

4.1.1 HST

De machine heeft achterwielaandrijving. De achteras is voorzien van een hydrostatische transmissie met traploze transmissie voor- en achteruit.

De achteras is eveneens voorzien van een differentieel om het draaien te vergemakkelijken.

Het gereedschap dat aan de voorzijde is gemonteerd wordt aangedreven door aandrijfriemen.

4.1.2 4WD

De machine heeft vierwielaandrijving. Het vermogen van de motor wordt hydraulisch op de wielen overgebracht. De motor stuurt een oliepomp aan die olie naar de achter- en voorassen pompt. De voor- en achterassen zijn seriegeschakeld, wat betekent dat de voor- en achterwielen op dezelfde snelheid draaien.

Om het draaien te vergemakkelijken zijn beide assen voorzien van een differentieel.

Gereedschap dat aan de voorzijde is gemonteerd wordt aangestuurd door aandrijfriemen.

4.2 Besturing

De machine is aangedreven. Dit betekent dat het chassis is verdeeld in een voor- en een achtergedeelte die ten opzichte van elkaar kunnen draaien. Knikbesturing houdt in dat de machine langs bomen en andere obstakels kan rijden met een extreem kleine draaicirkel.

4.3 Beveiligingssysteem

De machine is uitgerust met een elektrisch beveiligingssysteem. Dit systeem onderbreekt bepaalde activiteiten die door onjuiste handelingen gevaarlijke situaties kunnen veroorzaken. De motor kan bijvoorbeeld niet gestart worden als de koppeling van de parkeerrem is ingetrapt.



Controleer voor elk gebruik of het beveiligingssysteem werkt.

4.4 Bediening

4.4.1 Gereedschapslift, mechanisch (12:A)

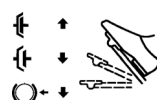
U kunt als volgt schakelen tussen de werkpositie en de transportpositie:

1. Trap het pedaal volledig in.
2. Laat het pedaal langzaam los.

4.4.2 Koppeling - parkeerrem (12:B)



Druk nooit op het pedaal tijdens het rijden. De krachtoverbrenging kan dan oververhit raken.



Het pedaal (14:B) heeft de volgende drie standen:

- **Omhoog.** De koppeling is niet geactiveerd. De parkeerrem is niet geactiveerd.
- **Voor de helft ingetrapt.** Voorwaarts rijden uitgeschakeld. De parkeerrem is niet geactiveerd.
- **Volledig ingetrapt.** Voorwaarts rijden uitgeschakeld. De parkeerrem is geactiveerd maar niet vergrendeld. Deze stand wordt ook gebruikt als noodrem.

4.4.3 Vergrendeling, parkeerrem (12:C)



De vergrendeling vergrendelt het koppelings-/rempedaal in de ingetrapte stand. Deze functie wordt gebruikt om de machine te vergrendelen op hellingen, tijdens transport enz., als de motor niet draait.

Vergrendelen:

1. Trap het pedaal (12:B) volledig in.
2. Verplaats de vergrendeling (12:C) naar rechts.
3. Laat het pedaal (12:B) los.
4. Laat de vergrendeling (12:C) los.

Ontgrendelen:

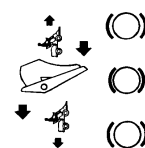
Trap het pedaal (12:B) volledig in en laat het weer los.

4.4.4 Rijden - bedrijfsrem (12:F)



Als de machine niet remt zoals verwacht als het pedaal wordt losgelaten, moet het linkerpedaal (12:B) worden gebruikt als noodrem.

Het pedaal regelt de versnelling tussen de motor en de wielen (= de snelheid). Wanneer het pedaal omhoog staat, wordt de bedrijfsrem geactiveerd.



1. Pedaal voorwaarts – de machine gaat vooruit.
2. Pedaal onbelast – de machine staat stil.
3. Pedaal achterwaarts – de machine rijdt achteruit.
4. Minder druk op het pedaal – de machine remt.

4.4.5 Gas- en chokehendel (12:D)

Hendel om de snelheid te regelen en om te choken bij een koude start.



Als de motor onregelmatig loopt, bestaat er een kans dat de hendel te ver naar voren staat zodat de choke geactiveerd wordt. Dit beschadigt de motor, verhoogt het brandstofgebruik en is schadelijk voor het milieu.



1. Choke - voor het starten van een koude motor. De choke staat in de bovenste stand in de groef.

Gebruik deze functie niet als de motor warm is.



2. Vol gas - bij gebruik van de machine altijd vol gas geven.

Om de gashendel op vol gas te zetten, zet u de hendel ongeveer 2 cm achter de chokestand.



3. Stationairloop.

4.4.6 Contactslot (12:E)



Laat de sleutel niet in stand 2 of 3 op de machine zitten. Er is dan brandgevaar omdat brandstof in de motor kan lopen via de carburateur en de accu kan ontladen en worden beschadigd.

Contactslot dat gebruikt wordt om de motor te starten en uit te schakelen. Vier standen:



1. Stopstand - de motor is kortgesloten. De sleutel kan verwijderd worden.



2/3. Rijstand.



4. Startstand - de elektrische startmotor wordt geactiveerd op het moment dat de sleutel in de veerbelaste startstand wordt gedraaid. Laat de sleutel teruggaan naar rijstand 2/3 wanneer de motor gestart is.

4.4.7 Krachtafner (13:G)



De krachtafner mag nooit ingeschakeld zijn wanneer het aan de voorzijde gemonteerde gereedschap in de transportstand staat. Dit beschadigt de riemtransmissie.

Hendel voor in- en uitschakelen van de krachtafner voor aandrijving van aan de voorzijde gemonteerde accessoires. Twee standen:



1. Voorste stand - krachtafner uitgeschakeld.



2. Achterste stand - krachtafner ingeschakeld.

4.4.8 Ontkoppelingshefboom

Hendel om de traploze transmissie uit te schakelen.

HST is voorzien van een hendel die op de achteras is aangesloten. Zie (16:N).

4WD is voorzien van twee hendels die op de achteras (17:O) en vooras (17:P) zijn aangesloten.



De ontkoppelingshendel mag nooit tussen de binnenste en buitenste stand staan. Dit leidt tot oververhitting en beschadiging van de transmissie.

Hiermee kunt u de machine handmatig verplaatsen zonder de motor te gebruiken. Twee standen:



1. Hendel ingedrukt - transmissie ingeschakeld voor normaal gebruik.

2. Hendel in de buitenste stand - transmissie uitgeschakeld. De machine kan handmatig worden verplaatst.

De machine mag niet over lange afstanden of met hoge snelheid worden gesleept. Hierdoor kan de versnellingsbak worden beschadigd.



De machine mag niet worden bediend als de voorste hendel in de buitenste stand staat, anders wordt de machine beschadigd en bestaat de kans op lekkage in de vooras.

4.4.9 Zitting (14:I)



De zitting kan worden opgeklapt en naar voor of achter worden verschoven. De zitting wordt met de greep (14:K) vergrendeld in de opgeklapte positie en naar voor of achter verschoven met de knoppen (14:J).

De zitting is voorzien van een beveiligingsschakelaar die is aangesloten op het beveiligingssysteem van de machine. Dit houdt in dat bepaalde gevaarlijke functies niet werken als er niemand op de zitting zit.

4.4.10 Motorkap (15:L)



De machine heeft een motorkap die geopend kan worden, zodat de benzinekraan, accu en motor makkelijk bereikbaar zijn. De motorkap is vergrendeld met een rubberen band.

De motorkap gaat als volgt open:

1. Maak aan de voorzijde van de kap de rubberen band (15:M) los.

2. Til de motorkap omhoog.

Bevestig alles weer in omgekeerde volgorde.



De machine alleen gebruiken met gesloten kap, anders bestaat er een kans op brandwonden en kunt u bekneld raken.

5 TOEPASSINGEN

De machine mag uitsluitend gebruikt worden bij de volgende werkzaamheden met de aangegeven originele GGP-accessoires:

Gebruik	Accessoires, origineel van GGP
Gras maaien	Met maaidek 95 C (alle modellen). Met maaidek 105 C (alleen 4155 H).
Sneeuwruimen	Met sneeuwschuiver. Gebruik van sneeuwkettingen en frame-gewichten wordt aanbevolen.
Gras en bladeren vegen	Uitgerust met getrokken opvangbak 30" of 42".
Gras- en bladtransport	Uitgerust met transportkar (Pro of Combi).

Het trekmechanisme mag worden belast met een verticale kracht van maximaal 100 N.

De duwkracht van getrokken accessoires op het trekmechanisme mag niet groter zijn dan 500 N. LET OP! Neem vóór het gebruik van een aanhang-er altijd contact op met uw verzekeringsmaat-schappij.

LET OP! Deze machine is niet bedoeld voor rijden op de openbare weg.

6 STARTEN EN RIJDEN



De machine alleen gebruiken met geslo-ten en vergrendelde kap. Anders be-staat er een kans op brandwonden en kunt u bekneld raken.

6.1 Bijvullen met benzine (18:Q)

Gebruik altijd loodvrije benzine. Gebruik nooit brandstof voor tweektactmotoren.

De tank heeft een inhoud van 6 liter. Door de trans-parante tank is het brandstofniveau makkelijk af te lezen.

LET OP! Gewone loodvrije benzine is beperkt houdbaar en mag niet langer dan 30 dagen worden bewaard.

U kunt ook milieuvriendelijke benzine gebruiken, d.w.z. gealkyleerde benzine. Dit type benzine heeft een samenstelling die minder schadelijk is voor mens en milieu.



Benzine is uiterst brandbaar. Bewaar brandstof altijd in een speciaal daar-voor bestemde tank.



Vul alleen buitenshuis benzine bij en rook niet tijdens het bijvullen. Vul de tank voordat u de motor start. Verwijder nooit de vuldop en vul de machine nooit met benzine wanneer de motor loopt of nog warm is.

Vul de benzinetank nooit helemaal tot de rand. Laat een zekere ruimte (ten minste de gehele vul-buis plus 1-2 cm bovenin de tank) leeg, zodat de benzine, wanneer deze warm wordt, kan uitzetten zonder over te stromen. Zie afb. 18.

6.2 Controleer het oliepeil

Het carter is bij aflevering altijd gevuld met olie SAE 10W-30.

Controleer voor elk gebruik of het oliepeil correct is. De machine moet op een vlakke ondergrond staan.



Zorg dat de omgeving rond de oliepeilstok schoon is. Draai de oliepeilstok los en trek hem omhoog. Veeg de oliepeilstok af.

Breng de stok weer aan en draai hem vast.

Draai hem daarna weer los en trek hem omhoog. Lees het oliepeil af. Vul olie bij tot de "FULL"-streep als het oliepeil onder deze markering ligt. Zie afb. 19.

Het oliepeil mag nooit boven de "FULL"-streep komen. Een te hoog oliepeil kan de motor oververhitten. Als het oliepeil boven de "FULL"-streep komt, moet de olie worden afgetapt tot het juiste niveau is bereikt.

6.3 Olipeil van de versnellingsbak controleren

Controleer voor elk gebruik of het oliepeil correct is. De machine moet op een vlakke ondergrond staan.

Lees het oliepeil af op het reservoir (20:R). Het peil moet tussen MAX en MIN liggen. Vul indien nodig olie bij 10W-30.

Type olie:

	Type olie
4WD	Synthetische olie 5W-50
HST	SAE 10W-30 (20W-50)

6.4 Veiligheidscontrole

Controleer of de machine voldoet aan de onderstaande veiligheidscontrole.



De veiligheidscontrole moet voor ieder gebruik worden uitgevoerd.



Als een van de onderdelen niet door de test komt, moet u de machine niet gebruiken! Breng de machine voor reparatie naar een servicewerkplaats!

6.4.1 Algemene veiligheidscontrole

Onderdeel	Resultaat
Brandstofslangen en aansluitingen.	Geen lekkages.
Elektrische kabels.	Isolatie is intact. Geen mechanische schade.
Uitlaatsysteem.	Geen lekkages bij aansluitingen. Alle schroeven zijn vastgedraaid.
Olieleidingen	Geen lekkages. Geen schade.
Rijd de machine voor- en achteruit en laat het pedaal van de bedrijfsrem omhoog komen.	De machine stopt dan.
Testrit	Geen abnormale trillingen. Geen abnormale geluiden.

6.4.2 Elektrische veiligheidscontrole



Controleer voor elk gebruik of het beveiligingssysteem werkt..

Status	Actie	Resultaat
Het koppelings-/rempedaal is niet ingetrapt. Krachtafnehmer niet ingeschakeld.	Probeer te starten.	De motor mag niet starten.
Lopende motor. Krachtafnehmer ingeschakeld.	De bestuurder staat op van de zitting.	De krachtafnehmer moet uitschakelen.
Lopende motor.	Verwijder de zekering. Zie 20:S.	De motor moet dan stoppen.

6.5 Starten

1. Open de benzinekraan. Zie (21:U).
2. Controleer of de bougiekabel(s) op de bougie(s) is/zijn geplaatst.
3. Controleer of de krachtafnehmer uitgeschakeld is.
4. Houd uw voet niet op het aandrijfpedaal.
5. Starten van een koude motor – zet de gashendel helemaal in de chokestand.
Starten van een warme motor – zet de gashendel op vol gas (ongeveer 2 cm achter de chokestand).
6. Trap het koppelings-/rempedaal volledig in.
7. Draai de contactsleutel om en start de motor.
8. Wanneer de motor is gestart, duwt u de gashendel geleidelijk naar vol gas (ongeveer 2 cm achter de chokestand) als u de choke gebruikt hebt.

9. Laat de machine na een koude start niet onmiddellijk belast werken, maar laat de motor eerst een paar minuten warmdraaien. Op die manier kan de olie eerst opwarmen.

Bij gebruik van de machine altijd vol gas geven.

6.6 Bedieningstips

Controleer altijd of de juiste hoeveelheid olie in de motor zit. Dit is met name belangrijk bij het werken op hellingen. Zie “Controleer het oliepeil 6.2.



Wees voorzichtig bij het rijden op hellingen. Start of stop niet plotseling wanneer u een helling op- of afrijdt. Rijd nooit dwars over een helling. Rijd van boven naar beneden en van beneden naar boven.



Deze machine mag op een helling van maximaal 10° rijden.



Verminder de snelheid op hellingen en bij scherpe bochten om controle over de machine te houden en het risico op kantelen te beperken.



Draai bij rijden in de hoogste versnelling en bij vol gas het stuur niet volledig naar één kant. De machine kan dan kantelen.



Blijf met uw handen uit de buurt van de middensturing en de zittinghouder. Anders kunt u bekneld raken! Rijd nooit met de machine als de motorkap open is.

6.7 Stoppen

Schakel de krachtafnehmer uit. Trek de parkeerrem aan.

Laat de motor 1-2 minuten stationair draaien. Zet de motor af door de contactsleutel om te draaien. Sluit de benzinekraan. Dit is vooral belangrijk als de machine op bijv. een aanhanger vervoerd moet worden.



Als u de machine zonder toezicht achterlaat, moet u de bougiekabel(s) losmaken en de contactsleutel verwijderen.



Direct na gebruik kan de motor bijzonder heet zijn. Raak de demper, de cilinder of de koelribben niet aan. Dit kan ernstige brandwonden veroorzaken.

6.8 Reiniging



Om het gevaar op brand te verkleinen de motor, de demper, de accu en de brandstoftank vrijhouden van gras, bladeren en olie.



Om het gevaar op brand te verkleinen regelmatig controleren of er sprake is van olie- en/of brandstoflekkage.

Reinig de machine na gebruik. Voor het reinigen gelden de volgende richtlijnen.

- Als u de machine met een hogedrukreiniger reinigt, richt de straal dan niet rechtstreeks op de asborging, elektrische onderdelen of hydraulische kleppen.
- Sproei nooit rechtstreeks water op de motor.
- Reinig de motor met een borstel en/of perslucht.
- Reinig de luchtinlaat van de motor (20:T).

7 ONDERHOUD

7.1 Onderhoudsprogramma

Om de machine voortdurend in goede staat te houden en zo de betrouwbaarheid te bevorderen, ook in verband met het milieu, moet het onderhoudsprogramma van GGP worden gevolgd.

Onderhoud dat door een erkende servicewerkplaats wordt uitgevoerd geeft u de garantie dat uw machine professioneel wordt onderhouden met originele reserveonderdelen.

7.2 Voorbereiding

Alle service en onderhoud moet worden uitgevoerd op een stilstandende machine waarvan de motor is uitgeschakeld.



Zorg dat de machine niet kan weggrollen. Gebruik daarom altijd de parkeerrem.



Zet de motor af.



Voorkom dat de motor onbedoeld start door de bougiekabel(s) los te maken van de bougie(s) en de contactsleutel te verwijderen.

7.3 Bandenspanning

Pas de bandenspanning op de volgende manier aan:

Voorzijde: 0,6 bar (9 psi).

Achter: 0,4 bar (6 psi).

7.4 Motorolie vervangen

Vervang de motorolie de eerste keer na 5 werkuren, daarna na elke 50 werkuren of één keer per seizoen.

Ververs de olie vaker, om de 25 draaiuren of minstens één keer per seizoen, als de motor extra hard of bij hoge omgevingstemperaturen moet werken. Gebruik olie volgens de onderstaande tabel.

Olie	SAE 10W-30
Serviceklasse	SJ of hoger

Gebruik olie zonder toevoegingen.

Vul niet te veel olie bij. Dit kan tot oververhitting van de motor leiden.

Ververs de olie wanneer de motor warm is.



Direct na het stoppen van de machine kan de motorolie erg heet zijn. Laat de motor daarom een paar minuten afkoelen voordat u de olie aftapt.

1. Zet de klem op de afvoerslang. Gebruik een slangenklem of iets vergelijkbaars. Zie afb. (21:V).
2. Verplaats de klem 3 tot 4 cm op de afvoerslang en trek de bougie los.
3. Vang de olie op in een vat.
LET OP! Knoei geen olie op de aandrijfriemen.
4. Volg de lokale voorschriften voor het afvoeren van afgewerkte olie op.
5. Breng de olieaftapplug weer aan en verplaats de klem zodat deze zich boven de plug bevindt.
6. Verwijder de oliepeilstok en vul de machine met nieuwe olie.
Olievolume: 1,4 liter
7. Na het bijvullen van olie start u de motor en laat u deze 30 seconden stationair draaien.
8. Controleer of er een olielek is.
9. Zet de motor af. Wacht 30 seconden en controleer dan of het oliepeil overeenkomt met "Controleer het oliepeil 6.2".

7.5 Transmissie (4WD)

De olie in de hydraulische krachtoverbrenging moeten regelmatig worden gecontroleerd/aangepast of vervangen zoals aangegeven in onderstaande tabel.

Actie	1e keer	Vervolgens met tussenpozen van
	Werkuren	
Niveau controleren - aanpassen.	-	50
Olie verversen.	50	200

Type olie: Synthetische olie 5W-50.

Hoeveelheid olie bij verversen: ongeveer 3,5 liter.

7.5.1 Controleren - aanpassen

Zie "Oliepeil van de versnellingsbak controleren 6.3".

7.5.2 Aftappen

1. Laat de machine gedurende 10-20 minuten op verschillende snelheden lopen om de transmissieolie op te warmen.
2. Plaats de machine volledig horizontaal.

3. Demonteer beide ontkoppelingshefbomen zoals aangegeven in afb. 17.
4. Plaats één opvangbak onder de achteras en één onder de vooras.
5. Open het oliereservoir door de kap te verwijderen. Zie (20:R).



Gebruik uitsluitend een 3/8" dopsleutel voor de olieaftapplug. Het gebruik van ander gereedschap beschadigt de plug.

6. Verwijder de olieaftapplug van de achteras. Reinig de opening en gebruik een 3/8" dopsleutel. Zie afbeelding 22.
7. Verwijder 2 aftappluggen uit de vooras. Gebruik hiervoor een 12 mm sleutel. Laat de olie uit de vooras en de leidingen lopen. Zie afb. 23.
8. Controleer of de pakkingen op de 4 aftappluggen van de vooras intact zijn. Zie afb. 23. Plaats de pluggen terug. Aanhaalmoment: 15-17 Nm.



De olieaftapplug wordt beschadigd als hij vaster dan 5 Nm wordt aangedraaid.

9. Controleer of de pakking op de olieaftapplug van de achteras intact is. Zie afb. (22:Y). Plaats het in de achteras. Draai de olieaftapplug aan tot 5 Nm.
10. Trek de olie uit het onderste deel van het reservoir met behulp van een olieafscheider. Zie afb. 24.
11. Voer de olie volgens lokale voorschriften af.

7.5.3 Vullen



De motor mag nooit draaien als de achterste koppelingshendel naar binnen is gedruwd en de voorste koppelingshendel uitgetrokken is. Dit beschadigt de asborging.

1. Vul het oliereservoir met de nieuwe olie.
-
- Als de motor binnen moet draaien, dient u ervoor te zorgen dat uitlaatgassen kunnen worden afgevoerd.**
2. Controleer of de koppelingshendel van de achteras uitgetrokken is.
 3. Start de motor. Als de motor is gestart, schuift de koppelingshendel van de vooras automatisch naar binnen.
 4. Trek de koppelingshendel van de vooras naar buiten.
LET OP! De olie wordt zeer snel het systeem ingezogen. Zorg dat het reservoir altijd vol is. Zorg dat er geen lucht wordt ingezogen.
 5. Zet het gaspedaal in de voorste stand door het te blokkeren met een houten wig. Zie afb. 25. Vul het oliereservoir handmatig met nieuwe olie.
 6. Laat de motor een minuut in de stand vooruit draaien.

7. Verwijder de houten wig en zet het gaspedaal in de stand achteruit. Ga door met het bijvullen van de olie.
8. Laat de motor een minuut in de stand achteruit draaien.
9. Verander de rijrichting elke minuut, zoals hierboven is aangegeven, en ga door met het bijvullen van de olie tot het borrelen in het reservoir stopt.
10. Zet de motor uit, plaats het kapje van het oliereservoir en sluit de motorkap.
11. Maak een proefritje van enkele minuten en pas zonodig het olieniveau aan.

7.6 Riemtransmissies

Controleer na 5 werkuren of alle riemen intact en onbeschadigd zijn.

7.7 Besturing

De besturing moet na 5 werkuren worden gecontroleerd/afgesteld en vervolgens na elke 100 werkuren.

7.7.1 Controles

Draai het stuur kort heen en weer. Er mag geen speling in de stuurkettingen zitten.

7.7.2 Afstelling

Stel indien nodig de stuurkettingen als volgt af:

1. Zet de machine in de 'recht vooruit'-stand.
2. Stel de stuurkettingen af met de twee moeren onder het middelpunt. Zie afb. 27.
3. Draai beide moeren evenveel tot er geen speling meer is.
4. Rijd de machine recht vooruit en controleer of het stuur recht staat.
5. Als het stuur verdraaid staat, maakt u de ene moer lossen en de andere vaster.

Span de stuurkettingen niet te strak aan. Daardoor wordt het sturen zwaarder en neemt de slijtage van de kabels toe.

7.8 Accu



Als u het zuur in uw ogen of op uw huid krijgt, kan dit ernstig letsel veroorzaken. Als er zuur op uw lichaam terechtkomt, moet u het betreffende lichaamsdeel onmiddellijk afspoelen met een ruime hoeveelheid water en zo snel mogelijk medische hulp zoeken.

De accu wordt gereguleerd door kleppen en geeft een uitgangsspanning van 12 V. De accuvloeistof kan en mag niet worden gecontroleerd of aangevuld. U hoeft de accu alleen maar op te laden, bijvoorbeeld als u deze lang niet hebt gebruikt.



De accu moet volledig zijn opgeladen voordat u deze voor de eerste keer gaat gebruiken. De accu moet altijd volledig opgeladen worden bewaard, anders kan deze beschadigd raken.

7.8.1 Accu opladen met motor

De accu kan als volgt worden opgeladen met de dynamo van de motor.

1. Plaats de accu in de machine zoals hieronder afgebeeld.
2. Zet de machine buiten of zorg dat de uitlaatgasen kunnen worden afgevoerd.
3. Start de motor volgens de instructies in de handleiding.
4. Laat de motor 45 minuten lopen.
5. Zet de motor af. De accu is nu volledig opgeladen.

7.8.2 Accu opladen met oplader

Als de accu wordt opgeladen met een oplader, dient deze een constante spanning te hebben.

Neem contact op met uw leverancier voor een dergelijke oplader.

De accu kan beschadigd raken als er een standaard oplader wordt gebruikt.

7.8.3 Verwijderen/Plaatsen

De accu zit onder de motorkap. Bij het verwijderen of plaatsen van de accu, dient u rekening te houden met het volgende:

- Bij het verwijderen. Maak eerst de zwarte kabel los van de negatieve accuklem (-). Maak daarna de rode kabel los van de positieve accuklem (+).
- Bij het plaatsen. Sluit eerst de rode kabel aan op de positieve accuklem (+). Sluit dan de zwarte kabel aan op de negatieve accuklem (-).



Als u de kabels niet in de goede volgorde aansluit of losmaakt, kan er kortsluiting ontstaan en kan de accu beschadigd raken.



Als u de kabels verwisselt, raken de dynamo en de accu beschadigd.



Zet de kabels stevig vast. Losse kabels kunnen brand veroorzaken.



De accu moet altijd aangesloten zijn als u de motor wilt laten lopen. Anders kunnen de dynamo en het elektrische systeem beschadigd raken.

7.8.4 Reiniging

Indien de accupolen geoxideerd zijn, moeten deze schoongemaakt worden. Reinig de accupolen met een staalborstel en smeer ze in met vet.

7.9 Luchtfilter, motor

Het voorfilter (schuimplastic filter) moet na 25 werkuren worden gereinigd/vervangen.

Het luchtfilter (papierfilter) moet na 100 werkuren worden gereinigd/vervangen.

LET OP! Reinig/vervang beide filters vaker indien de machine in stoffige omstandigheden moet werken.

Verwijder/installeer de luchtfilters als volgt:

1. Maak voorzichtig schoon rond de luchtfilterkap.
2. Demonteer de luchtfilterkap (26:A) door de twee klemmen te verwijderen.
3. Demonteer het filter (26:B). Het voorfilter wordt over het luchtfilter geplaatst. Zorg ervoor dat de carburateur niet vuil wordt. Maak de behuizing van het luchtfilter schoon.
4. Maak het papierfilter schoon door er zachtjes mee tegen een plat oppervlak te tikken. Indien het filter erg vuil is, moet het worden vervangen.
5. Reinig het voorfilter. Indien het filter erg vuil is, moet het worden vervangen.
6. Monteer alles weer in omgekeerde volgorde. Bij het schoonmaken van de behuizing van het papierfilter mogen geen perslucht of oplosmiddelen op basis van petroleum worden gebruikt. Hierdoor raakt het filter beschadigd.

7.10 Bougie

De bougie(s) moet(en) na elke 2000 werkuren worden vervangen (=bij elke tweede basic service).

Maak schoon rond de bevestiging van de bougie voordat u deze losmaakt.

Bougie: Champion RC12YC of gelijkwaardig.

Afstand elektroden: 0,75 mm.

7.11 Luchtinlaat

Zie 9:T. De motor is luchtgekoeld. Door een verstopt koelsysteem kan de motor beschadigd raken.

Reinig de luchtinlaat van de motor na elke 50 werkuren. Het koelsysteem wordt bij elke basic service nauwkeurig gereinigd.

7.12 Smeren

Alle smeerpunten in onderstaande tabel moeten na elke 50 werkuren en na elke wasbeurt worden gesmeerd.

Onderdeel	Actie	Afb.
Middelpunt	4 smeernippels. Gebruik een smeerpistool met universeel vet. Pomp tot het vet eruit komt.	28
Stuurkettin- gen	Reinig de kettingen met een staalborstel. Smeer de kettingen met universele kettingspray.	-
Spannings- armen	Smeer de lagerpunten met een oliehouder terwijl alle regelaars zijn geactiveerd. Dit werkt het beste met twee personen.	29
Bedienings- kabels	Smeer de uiteinden van de kabels met een oliehouder terwijl alle regelaars zijn geactiveerd. Dit moet worden gedaan door twee personen.	29

7.13 Zekering

Controleer of vervang de zekering van 20 A bij elektrische problemen. Zie 20:S.

8 OCTROOI - ONTWERPREGISTRATIE

Deze machine of onderdelen van deze machine valt/vallen onder de volgende octrooi- en ontwerpregistratie:

SE9901091-0, SE9901730-3, SE9401745-6,
US595 7497, FR772384, DE69520215.4,
GB772384, SE0301072-5, SE04/000239 (PCT),
SE0401554-1, SE0501599-5.

9 REPARATIES

Bevoegde servicewerkplaatsen voeren reparaties en garantiwerkzaamheden uit. Ze gebruiken originele reserveonderdelen.

Originele reserveonderdelen worden geleverd door servicewerkplaatsen en een groot aantal dealers.

Een lijst van deze dealers en werkplaatsen is te vinden op de website van GGP op:
www.GGP.com.

Wij raden u aan de machine eens per jaar naar een bevoegde servicewerkplaats te brengen voor service, onderhoud en controle van de veiligheidsmechanismen.

10 AANKOOPVOORWAARDEN

Fabricagefouten en materiaaldefecten vallen volledig onder de garantie. De gebruiker dient de instructies in de bijgeleverde documentatie zorgvuldig op te volgen.

Garantieperiode

Gebruik consument: twee jaar na aankoopdatum.
Accus: 6 maanden.

Uitzonderingen

De garantie geldt niet in de volgende gevallen:

- nalatigheid van de gebruiker zich op de hoogte te stellen van de bijgeleverde documentatie
- onachtzaamheid
- onjuist en ongeoorloofd gebruik of onjuiste en ongeoorloofde montage
- het gebruik van niet-originele reserveonderdelen
- het gebruik van accessoires die niet door GGP zijn geleverd of goedgekeurd

De garantie geldt ook niet voor:

- aan slijtage onderhevige onderdelen zoals bladen, riemen, wielen en kabels
- normale slijtage
- motor en versnellingsbak. Dergelijke zaken vallen onder de garantie van de bijbehorende fabrikant met aparte voorwaarden.

Op alle aankopen is de nationale wetgeving in het land van de koper van toepassing. De rechten die de koper aan de nationale wetgeving in zijn land kan ontlenen worden niet beperkt door deze garantie.

11 MILIEU

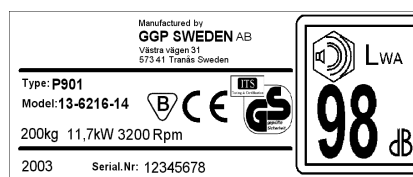
Om milieutechnische redenen bevelen wij u aan specifieke aandacht te besteden aan de volgende punten:

- Gebruik altijd alcylaatbenzine ("milieuvriendelijke benzine").
- Gebruik altijd een trechter en/of een benzinekan met overloopbeveiliging om te voorkomen dat u morst wanneer u de machine met benzine vult.
- Vul de benzinetank niet helemaal tot aan de rand.
- Voeg niet te veel motor- en/of transmissieolie toe (zie de gebruikersinstructies voor de juiste hoeveelheid).
- Vang alle olie op tijdens het olie verversen. Zorg dat u geen olie morst. Lever de olie in bij een recyclingstation.
- Gooi vervangen oliefilters niet bij het normale afval. Lever ze in bij een recyclingstation.
- Gooi vervangen loodaccu's niet bij het normale afval. Lever de accu in bij een accu-inzamelingspunt voor recycling.
- Vervang de demper wanneer deze defect is. Gebruik altijd oorspronkelijke reserveonderdelen wanneer u reparaties uitvoert.
- Wanneer de machine oorspronkelijk was voorzien van een katalysator en deze defect is geraakt, moet u de oude katalysator verwijderen en een nieuwe installeren.
- Laat de carburator indien nodig altijd door een specialist afstellen.
- Reinig het luchtfilter volgens de instructies (zie gebruikersinstructies).

12 PRODUCTIDENTITEIT

De identiteit van het product wordt bepaald door twee onderdelen:

1. De artikel- en serienummers op de machine:



2. Het model-, type- en serienummer van de motor.

Gebruik deze identificatietermen tijdens al het contact met de servicewerkplaatsen en bij de aankoop van reserveonderdelen.

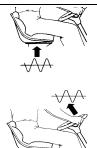



Schrijf zo snel mogelijk na aanschaf van de machine het bovenstaande nummer op de laatste pagina van deze uitgave.

GGP behoudt zich het recht voor zonder voorafgaande aankondiging wijzigingen in het product aan te brengen.

EC conformity declaration

Déclaration de conformité CE

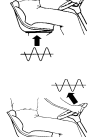



EU-gelijkvormigheidsverklaring

1. Category / Catégorie Categorie	Lawnmower with petrol engine Tondeuses à moteur à explosion Grasmaaiers met benzinemotor	8. Make Marque Fabricage	Mountfield
2. Type	P901	9. Cutting width Largeur de coupe Snijwijdte	95 cm
3. Item no N° d'article Itemnr.	1. 13-6102 + 13-2964	10. Serial number Numéro de série Serienummer	See label on chassis Voir la plaque sur le châssis Zie label op chassis
4. Manufacturer Manufactureur Fabricant	GGP Sweden AB P.O. Box 1006 SE-573 28 Tranås Sweden	11. Engine Moteur	Briggs & Stratton
5. Vibration	 < 0,9 m/s ² < 2.5 m/s ²	Make Marque Fabricage	21A alt. 21B
6A. Guaranteed sound power level Niveau de puissance acoustique garanti Gegarandeerd geluidsniveau (L _{WA})	100 dB(A)	Model Modèle Model	
6B. Measured sound power level Niveau de puissance acoustique mesuré Gemeten geluidsniveau	97,7 dB(A)	12. Rotation speed Vitesse de rotation Rotatiesnelheid	3200 rpm
7. Notified body Organisme notifié Keuringsinstantie	ITS Testing & Certification Ltd Notified Body representative 0359		
<p>This product conforms to</p> <ul style="list-style-type: none"> - Electromagnetic Compatibility Directive 2004/108/EEC - Machinery Directive 98/37/EEC with special reference to appendix 1 of the directive regarding essential health and safety requirements in conjunction with manufacturing - Noise Emission Directive 2000/14/EC <p>This product has been developed and manufactured in conformance with the following standards:</p> <ul style="list-style-type: none"> - EN 836:1997 +A1, A2, A3, EN 292, EN ISO 14982, EN ISO 3767. <p>Ce produit est conforme à</p> <ul style="list-style-type: none"> - La Directive compatibilité électromagnétique 2004/108/EEC - La Directive machines 98/37/EEC, avec une référence particulière à l'annexe 1 de la directive concernant les exigences essentielles en matière de santé et de sécurité dans le cadre de la fabrication - La Directive émissions de bruit 2000/14/EC <p>Le produit en question a été mis au point et fabriqué conformément aux normes suivantes:</p> <ul style="list-style-type: none"> - EN 836:1997 +A1, A2, A3, EN 292, EN ISO 14982, EN ISO 3767. <p>Dit product voldoet aan</p> <ul style="list-style-type: none"> - Richtlijn voor elektromagnetische compatibiliteit 2004/108/EEC - Richtlijn voor machines 98/37/EEC met speciale verwijzing naar aanhangsel 1 van de richtlijn voor essentiële gezondheids- en veiligheidsvereisten i.v.m. fabricage - Richtlijn voor geluidsproductie 2000/14/EC <p>Het product is in overeenstemming met volgende normen ontwikkeld en vervaardigd:</p> <ul style="list-style-type: none"> - EN 836:1997 +A1, A2, A3, EN 292, EN ISO 14982, EN ISO 3767. 			
		 Troels Nielsen Managing Director Certification Manager Directeur de Certification Issued in Tranås Fait à Tranås Gepubliceerd in Tranås 2007-10-11	
 Manufactured by GGP Sweden AB			
			

EC conformity declaration

Déclaration de conformité CE

EU-gelijkvormigheidsverklaring

1. Category / Catégorie Categorie	Lawnmower with petrol engine Tondeuses à moteur à explosion Grasmaaiers met benzinemotor	8. Make / Marque / Fabricage	Mountfield
2. Type	P901	9. Cutting width Largeur de coupe Snijwijdte	1, 3: 95 cm 2, 4: 105 cm
3. Item no N° d'article Itemnr.	1. 13-6104 + 13-2964 3. 13-6103 + 13-2964 2. 13-6104 + 13-2972 4. 13-6103 + 13-2972	10. Serial number Numéro de série Serienummer	See label on chassis Voir la plaque sur le châssis Zie label op chassis
4. Manufacturer Manufactureur Fabricant	GGP Sweden AB P.O. Box 1006 SE-573 28 Tranås Sweden	11. Engine Moteur	Briggs & Stratton
5. Vibration	 < 0,9 m/s ² < 2.5 m/s ²	Make / Marque / Fabricage	Briggs & Stratton
6A. Guaranteed sound power level Niveau de puissance acoustique garanti Gegarandeerd geluidsniveau (L _{WA})	100 dB(A)	Model / Modèle / Model	282H07
6B. Measured sound power level Niveau de puissance acoustique mesuré Gemeten geluidsniveau	97,5 dB(A)	12. Rotation speed Vitesse de rotation Rotatiesnelheid	3200 rpm
7. Notified body Organisme notifié Keuringsinstantie	ITS Testing & Certification Ltd Notified Body representative 0359		
<p>This product conforms to</p> <ul style="list-style-type: none"> - Electromagnetic Compatibility Directive 2004/108/EEC - Machinery Directive 98/37/EEC with special reference to appendix 1 of the directive regarding essential health and safety requirements in conjunction with manufacturing - Noise Emission Directive 2000/14/EC <p>This product has been developed and manufactured in conformance with the following standards:</p> <ul style="list-style-type: none"> - EN 836:1997 +A1, A2, A3, EN 292, EN ISO 14982, EN ISO 3767. <p>Ce produit est conforme à</p> <ul style="list-style-type: none"> - La Directive compatibilité électromagnétique 2004/108/EEC - La Directive machines 98/37/EEC, avec une référence particulière à l'annexe 1 de la directive concernant les exigences essentielles en matière de santé et de sécurité dans le cadre de la fabrication - La Directive émissions de bruit 2000/14/EC <p>Le produit en question a été mis au point et fabriqué conformément aux normes suivantes:</p> <ul style="list-style-type: none"> - EN 836:1997 +A1, A2, A3, EN 292, EN ISO 14982, EN ISO 3767. <p>Dit product voldoet aan</p> <ul style="list-style-type: none"> - Richtlijn voor elektromagnetische compatibiliteit 2004/108/EEC - Richtlijn voor machines 98/37/EEC met speciale verwijzing naar aanhangsel 1 van de richtlijn voor essentiële gezondheids- en veiligheidsvereisten i.v.m. fabricage - Richtlijn voor geluidsproductie 2000/14/EC <p>Het product is in overeenstemming met volgende normen ontwikkeld en vervaardigd:</p> <ul style="list-style-type: none"> - EN 836:1997 +A1, A2, A3, EN 292, EN ISO 14982, EN ISO 3767. 			
		 Troels Nielsen Managing Director Certification Manager Directeur de Certification Issued in Tranås Fait à Tranås Gepubliceerd in Tranås 2007-10-11	
 Manufactured by GGP Sweden AB			

Mountfield

Manufactured by GGP Sweden AB