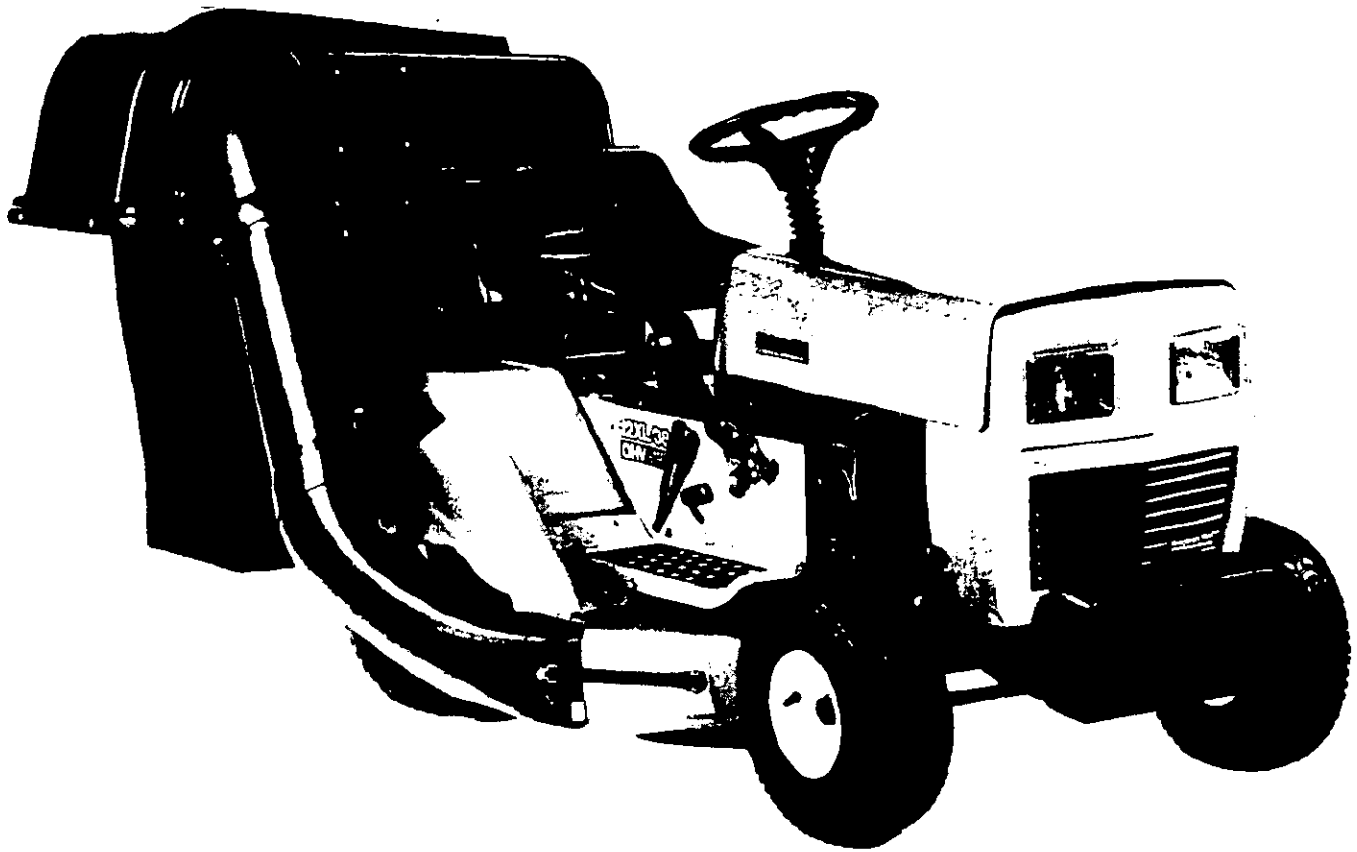


12 H.P. 38" Lawn Tractors

Operating Manual

Model Nos. TMO-33920B
TMO-33921B



(Shown With Optional Bagging Kit)

Montgomery Ward

INDEX

Slope Gauge	3
Contents of Hardware Pack	4
Rules for Safe Operation	5
Assembly Instructions	6
Controls	12
Operation	14
Adjustments	16
Lubrication	19
Maintenance	19
Off-Season Storage	23
Trouble Shooting Chart	24, 25
Illustrated Parts for Rider	26-38
Illustrated Parts for Transaxle	36, 37
Electrical System	39
Parts Information	Back Cover

Dear Customer,

So often throughout the year we are all in a rush to meet our daily obligations

However, we at Montgomery Ward are taking a quick moment out to say

"Thank you for your business."

Sincerely,

MONTGOMERY WARD



INSTRUCTIONS GIVEN WITH THIS SYMBOL ARE FOR PERSONAL SAFETY. BE SURE TO FOLLOW THEM.

NOTICE: A data plate with the model number and serial numbers of your unit is located on the frame, under the seat. Record these numbers in the spaces provided on the back cover of this guide.

BEFORE YOU CALL SERVICE

Check Spark Plug Wire

- Firmly attached?
- Wire terminal clean?

Check Crankcase Oil Level

- Overfilled/underfilled?

Check Fuel Tank

- Fuel in tank?
- Fuel dirty or stale?
- If tank has been empty for a long period, fill tank completely.

Check Air Cleaner

- Clean?
- Choke plate stuck?
- Governor spring free to move?

Check Under Blade Housing (**Disconnect Spark Plug First**)

- Blade obstructed or bent?

Check Starting Instructions

- Read instruction manuals and labels for specific instructions.

WARNING: This unit is equipped with an internal combustion engine and should not be used on or near any unimproved forest-covered, brush-covered or grass-covered land unless the engine's exhaust system is equipped with a spark arrester meeting applicable local or state laws (if any). If a spark arrester is used, it should be maintained in effective working order by the operator.

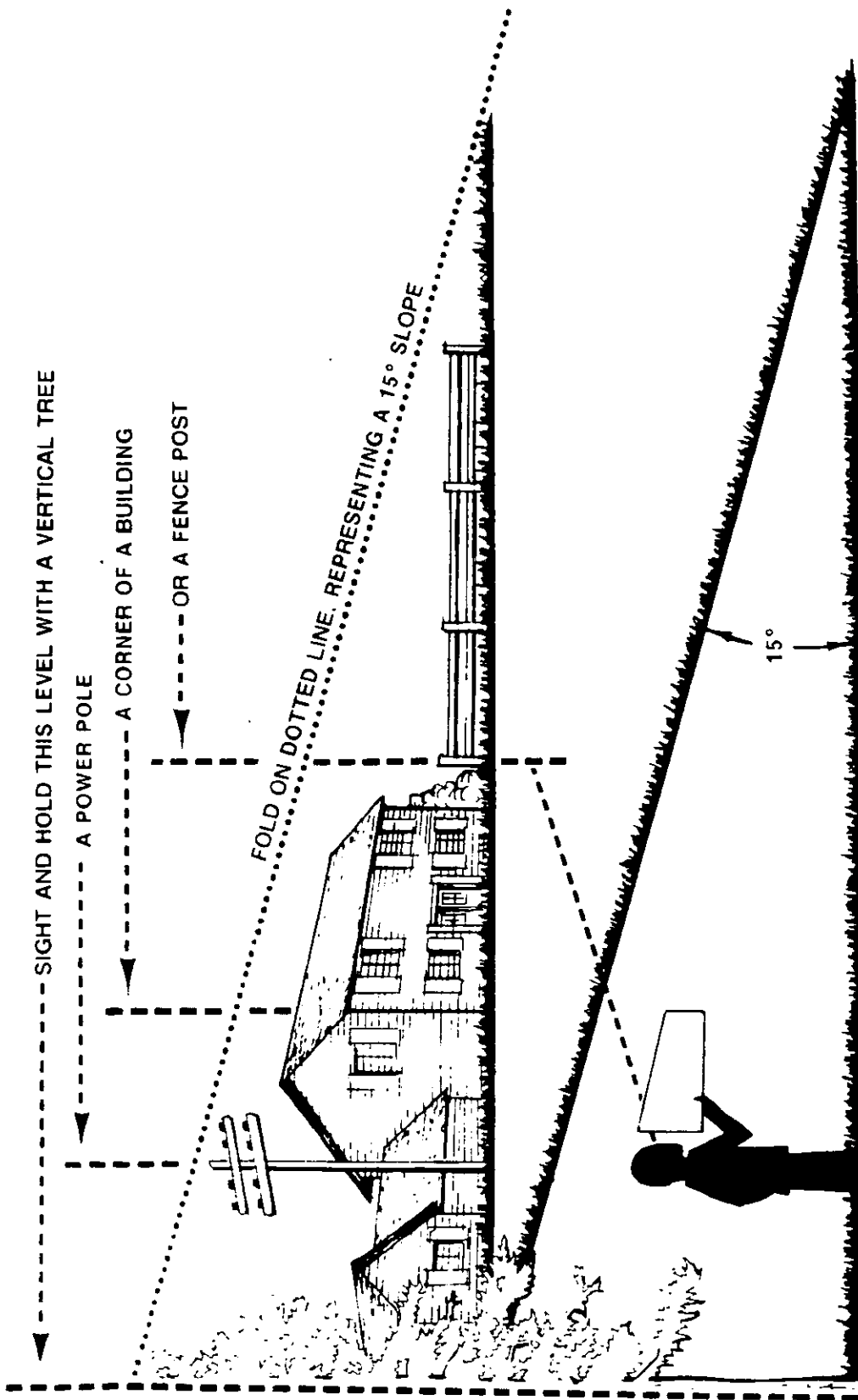
In the State of California, the above is required by law (Section 4442 of the California Public Resources Code). Other states may have similar laws. Federal laws apply on federal lands. A spark arrester/muffler is available at your nearest engine authorized service center.

SLOPE GAUGE

(Keep this sheet in a safe place for future reference.)

Cut Along This Line

USE THIS SHEET AS A GUIDE TO DETERMINE SLOPES WHERE YOU MAY NOT OPERATE SAFELY.



Do not mow on inclines with a slope in excess of 15 degrees (a rise of approximately 2½ feet every 10 feet). A riding mower could overturn and cause serious injury. If operating a walk-behind mower on such a slope, it is extremely difficult to maintain your footing and you could slip, resulting in serious injury.

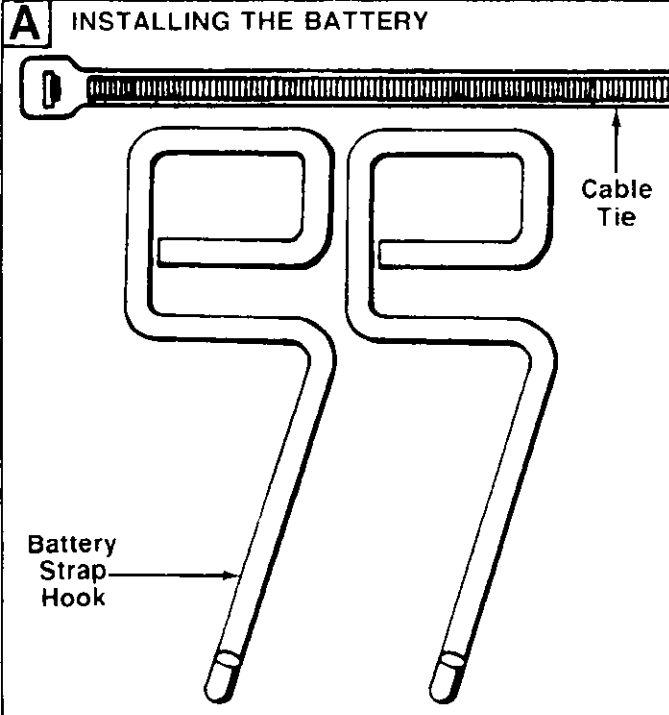
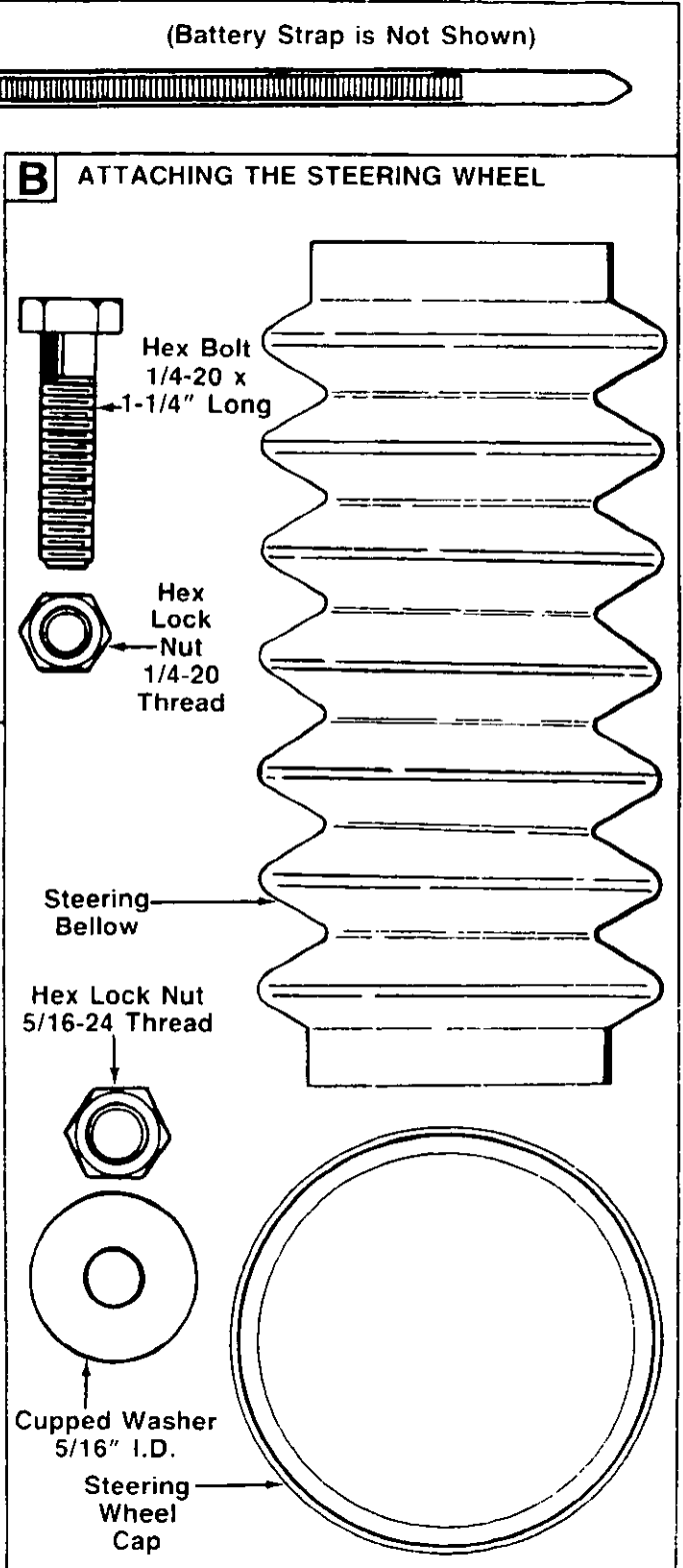
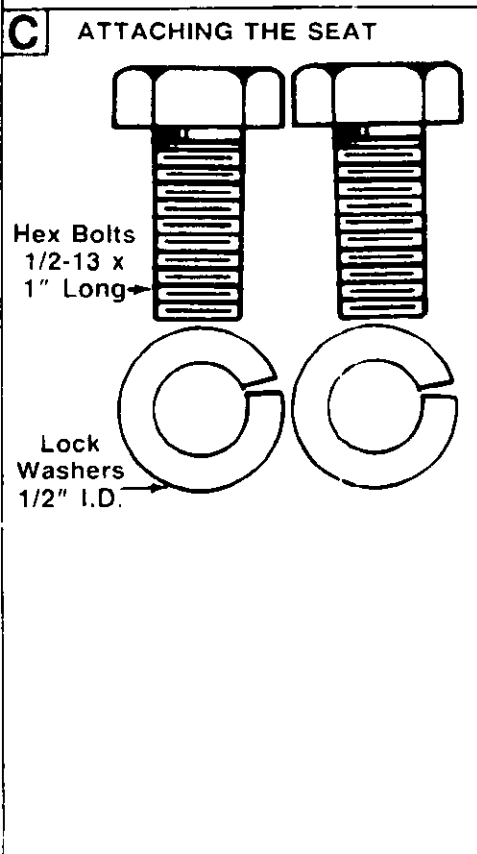
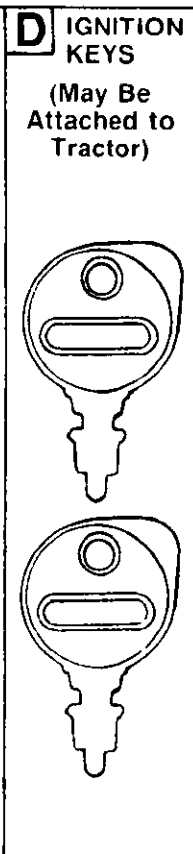
Operate RIDING mowers up and down slopes, never across the face of slopes.

Operate WALK-BEHIND mowers across the face of slopes, never up and down slopes.

CONTENTS OF HARDWARE PACK

Remove this sheet from your owner's manual and lay the hardware on the illustration for identification purposes. After assembly, keep the Slope Gauge which is on the reverse side of this sheet for future use.

(Hardware pack may contain extra items which are not used on your unit)



<p>A INSTALLING THE BATTERY</p> <p>(Battery Strap is Not Shown)</p>  <p>Cable Tie</p> <p>Battery Strap Hook</p>	<p>B ATTACHING THE STEERING WHEEL</p>  <p>Hex Bolt 1/4-20 x 1-1/4\" Long</p> <p>Hex Lock Nut 1/4-20 Thread</p> <p>Steering Bellow</p> <p>Hex Lock Nut 5/16-24 Thread</p> <p>Cupped Washer 5/16\" I.D.</p> <p>Steering Wheel Cap</p>
<p>C ATTACHING THE SEAT</p>  <p>Hex Bolts 1/2-13 x 1\" Long</p> <p>Lock Washers 1/2\" I.D.</p>	<p>D IGNITION KEYS (May Be Attached to Tractor)</p> 

Cut Along This Line

IMPORTANT

RULES FOR SAFE OPERATION



THIS SYMBOL POINTS OUT IMPORTANT SAFETY INSTRUCTIONS WHICH, IF NOT FOLLOWED, COULD ENDANGER THE PERSONAL SAFETY AND/OR PROPERTY OF YOURSELF AND OTHERS. READ AND FOLLOW ALL INSTRUCTIONS IN THIS MANUAL BEFORE ATTEMPTING TO OPERATE YOUR UNIT. FAILURE TO COMPLY WITH THESE INSTRUCTIONS MAY RESULT IN PERSONAL INJURY. WHEN YOU SEE THIS SYMBOL—  **HEED ITS WARNING.** 



DANGER

Your unit was built to be operated according to the rules for safe operation in this manual. As with any type of power equipment, carelessness or error on the part of the operator can result in serious injury. If you violate any of these rules, you may cause serious injury to yourself or others.

1. READ THIS OWNER'S MANUAL carefully in its entirety before attempting to assemble or operate this unit. Keep this manual in a safe place for future and regular reference and for ordering replacement parts.
2. This unit is a precision piece of power equipment, not a plaything. Therefore exercise extreme caution at all times.
3. Know the controls and how to stop the machine quickly.
4. Do not allow children to operate vehicle. Do not allow adults to operate it without proper instruction. Only persons well acquainted with these rules of safe operation should be allowed to use your mower.
5. Wear sturdy, rough-soled work shoes and close-fitting slacks and shirts to avoid entanglement in the moving parts. Never operate a unit in bare feet, sandals, or sneakers.
6. To prevent injury, do not carry passengers or give rides. Keep children, pets and bystanders out of the area while mowing. Only the operator should ride on the unit and only ride in the seat.
7. Check overhead clearance carefully before driving under power lines, guy wires, bridges or low hanging tree branches before entering or leaving buildings or in any other situation where the operator may be struck or pulled from the unit, which could result in serious injury.
8. To maintain control of the unit and reduce the possibility of upset or collision, operate the tractor smoothly. Avoid erratic operation and excessive speed.
9. Keep the area of operation clear of all persons, particularly small children and pets. Stop engine when they are in the vicinity of your mower. Although the area of operation should be completely cleared of foreign objects, a small object may have been overlooked and could be accidentally thrown by the mower in any direction and cause injury to you or a bystander.
10. Stop the blade(s) when crossing gravel drives, walks or roads.
11. Disengage all attachment clutches and shift into neutral before attempting to start engine.
12. Disengage power to attachment(s) and stop engine before leaving operating position.
13. Do not put hands or feet near or under rotating parts. Keep clear of the discharge opening at all times as the rotating blades can cause injury.
14. Disengage power to attachment(s) and stop engine before making any repairs or adjustments. Disconnect the spark plug wire and keep the wire away from the plug to prevent accidental starting.
15. Before attempting to unclog the mower or discharge chute, stop the engine. The mower blade(s) may continue to rotate for a few seconds after the engine is shut off. Therefore, be sure the blade(s) have stopped completely. Disconnect the spark plug wire and keep the wire away from the plug to prevent accidental starting.
16. Disengage power to attachment(s) when transporting or not in use.
17. Take all possible precautions when leaving vehicle unattended such as disengaging power take-off, lowering attachments, shifting into neutral, setting parking brake, stopping engine and removing key.
18. For your safety, use the slope gauge included as part of this manual to measure slopes before operating this unit on a sloped or hilly area. If the slope is greater than 15° as shown on the slope gauge, do not operate this unit on that area or serious injury could result.
19. Do not stop or start suddenly when going uphill or downhill. Mow up and down face of steep slopes, never across the face. Use extreme caution if it is necessary to drive the tractor up an incline or back the tractor down an incline because the front of the tractor could lift and rapidly flip over backward which could cause serious injury.
20. Reduce speed on slopes and in sharp turns to prevent tipping or loss of control. Always keep the tractor in gear when going down steep hills to take advantage of engine braking action.
21. Stay alert for holes in terrain and other hidden hazards which may cause the unit to tip over.
22. Use care when pulling loads or using heavy equipment.
 - A. Use only approved drawbar hitch points.
 - B. Limit loads to those you can safely control.
 - C. Do not turn sharply. Use care when backing.
 - D. Use counterweight(s) or wheel weights when suggested in owner's manual.
23. Watch out for traffic when crossing or near roadways.
24. When using any attachments, never direct discharge of material toward bystanders nor allow anyone near vehicle while in operation.
25. Handle gasoline with care. It is highly flammable.
 - A. Use approved gasoline container.
 - B. Never remove cap or add gasoline to a running or hot engine or fill fuel tank indoors. Wipe up spilled gasoline.
 - C. Open doors if engine is run in garage. Exhaust fumes are dangerous. Do not run engine indoors.

Rules for Safe Operation (continued)

26. Keep the vehicle and attachments in good operating condition, and keep safety devices in place. Use guards as instructed in operator's manual.
27. Keep all nuts, bolts, and screws tight to be sure the equipment is in safe working condition.
28. Never store the machine with fuel in the fuel tank inside a building where ignition sources are present, such as hot water and space heaters, clothes dryers, and the like. Allow the engine to cool before storing in any enclosure.
29. To reduce fire hazard, keep engine free of grass, leaves or excessive grease.
30. The vehicle and attachments should be stopped and inspected for damage after striking a foreign object. The damage should be repaired before restarting and operating the equipment.
31. Do not change the engine governor settings or overspeed the engine.
32. When using the vehicle with power, proceed as follows:
 - (1) Mow only in daylight or in good artificial light.
 - (2) Never make a cutting height adjustment while engine is running if operator must dismount to do so.
 - (3) Shut the engine off and wait until the blade comes to a complete stop before removing the grass catcher.
 - (4) Check blade mounting bolts for proper tightness at frequent intervals.
33. Check grass catcher bags frequently for wear or deterioration. For safety protection, replace only with new bag meeting original equipment specifications.
34. Look behind to make sure the area is clear before placing the transmission in reverse and continue looking behind while backing up. Disengage blades before shifting into reverse and backing up.
35. This unit should not be driven up a ramp onto a trailer or truck under power because the unit could tip over causing serious personal injury. The unit must be pushed manually to load properly.

IMPORTANT: This unit is shipped **WITHOUT GASOLINE or OIL**; however, a small amount of oil may be present from the factory. Do not overfill. After assembly, service engine with gasoline and oil as instructed in the separate engine manual packed with your unit.

NOTE: Reference to right or left hand side of the unit is observed from the driver's seat, facing forward.

ASSEMBLY

UNPACKING

1. Remove the lawn tractor from the carton as follows. Open the top flaps. Remove all loose parts and carton inserts. Cut the front corners of the carton. Make certain brake is released, and push the unit out of the carton.
2. Remove page four from this manual and lay the contents of the hardware pack on the illustration for identification.

BATTERY INFORMATION



- A. Battery acid must be handled with great care as contact with it can burn and blister the skin. It is also advisable to wear protective clothing (goggles, rubber gloves and apron) when working with it.
- B. Should there be an accidental splatter into the eyes, wash the eyes with the affected area immediately with clean cold water. If there is any further discomfort, seek prompt medical attention.

- C. If acid spills on clothing, first dilute it with clean water, then neutralize with a solution of ammonia/water or baking soda/water.
- D. Since battery acid is corrosive, do not pour it into any sink or drain. Before discarding empty electrolyte containers, rinse them with a neutralizing solution.
- E. NEVER connect or disconnect charger clips to battery while charger is turned on as it can cause sparks.
- F. Keep all lighted materials (cigarettes, matches, lighters) away from the battery as the hydrogen gas generated during charging can be combustible.
- G. As a further precaution, only charge the battery in a well-ventilated area.
***Always shield eyes, protect skin and clothing when working near batteries.**

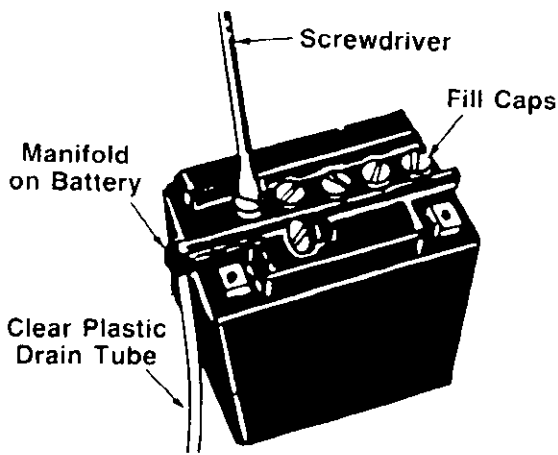


FIGURE 1.

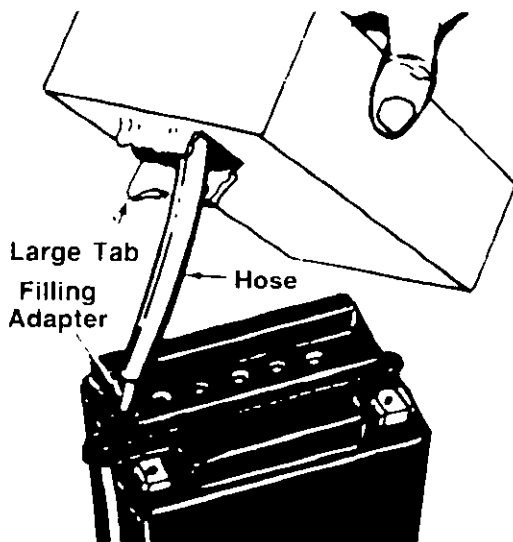


FIGURE 2.



Battery contains sulfuric acid. Refer to warning on page 6. Antidote EXTERNAL - Flush with water INTERNAL - Drink large quantities of water or milk. Follow with milk of magnesia beaten egg or vegetable oil. Seek prompt medical attention. EYES: Flush with cool water for at least 15 minutes, then seek immediate medical attention.

Since batteries produce explosive gases, keep all lighted materials (cigarettes, lighters, matches, etc.) away. Be sure to charge battery only in well-ventilated areas.

KEEP BATTERIES
OUT OF THE REACH OF CHILDREN

ACTIVATING AND INSTALLING THE BATTERY

1. Upon opening the battery pack, you should receive acid pack, battery, drain tube, filling adapter and hardware.



BATTERIES CONTAIN SULFURIC ACID AND MAY CONTAIN EXPLOSIVE GASES (when electrolyte has been added).

2. Place the battery on table or workbench to be filled.
3. Place one end of clear plastic drain tube on manifold of battery. See figure 1.

NOTE

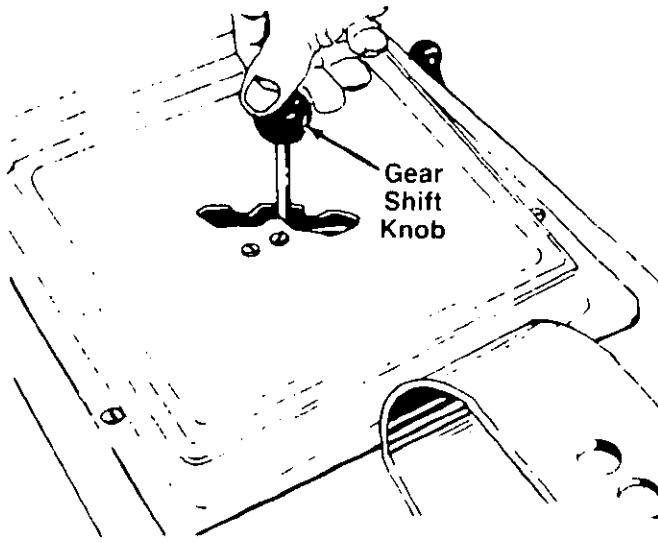
Some batteries may already have the drain tube installed, in which case it may be necessary to snip off the sealed end.

4. Remove the six fill caps from the top of the battery with a screwdriver. Care should be taken not to damage the fill caps. See figure 1.
5. Lay acid package down, with "push in" facing up. Using thumb, push in small perforated tab at dot on front of package. Tear down large tab to solid line exposing hose. **Do not** use any sharp object to open acid package.
6. Pull out hose from package and hold upright. Squeeze hose forcing all acid back into package. Cut off tip of hose and insert filling adapter. See figure 2.
7. Fill each cell to upper level marked on front of battery. Replace fill caps on battery. See figure 2.
8. Allow battery to sit for 20 to 30 minutes. Add additional acid, if necessary, to bring it up to the proper level.
9. The battery can be charged after the 20 minutes sitting period. **SLOW CHARGE THE BATTERY (DO NOT FAST CHARGE)** at a maximum bench rate of 1.4 amperes until the specific gravity reading is 1.260-1.280. Charge for a minimum of 2 hours and a maximum of 8 hours.

NOTE

Charging rate after battery has been put into operation: The battery is to be charged for a period of 14-16 hours. **NO LONGER THAN 30 HOURS**

After battery has been in service, add only distilled water. Do not add acid.



NOTE

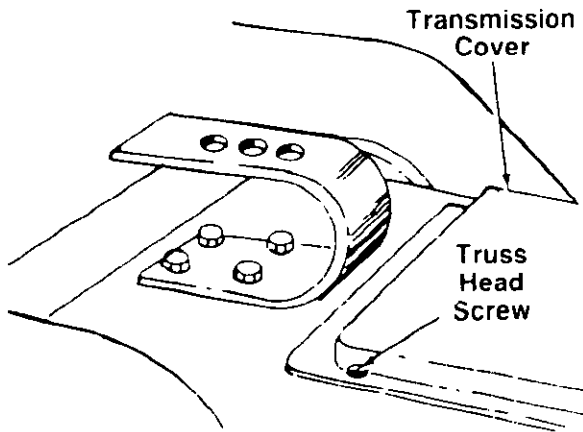
This engine is equipped with an alternator. The current for the battery charger alternator is unregulated. During normal operation, it is only necessary to charge the battery:

1. When it is activated for the first time.
2. Before winter storage.
3. Before using the lawn tractor after winter storage.

INSTALLING THE BATTERY (Hardware A)

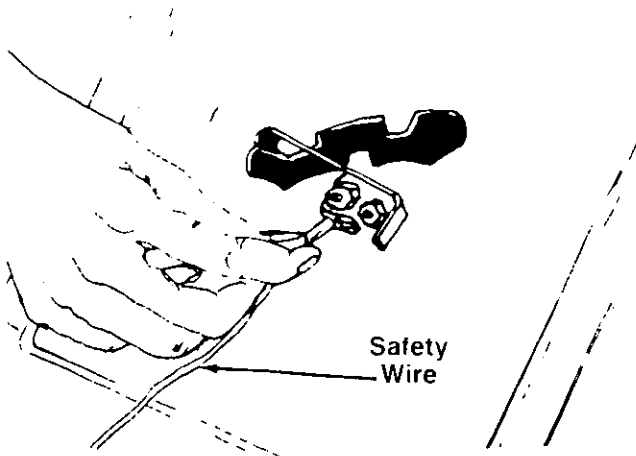
1. Place gear shift lever in the "neutral" position
 Unscrew the gear shift knob. See figure 3.

FIGURE 3.



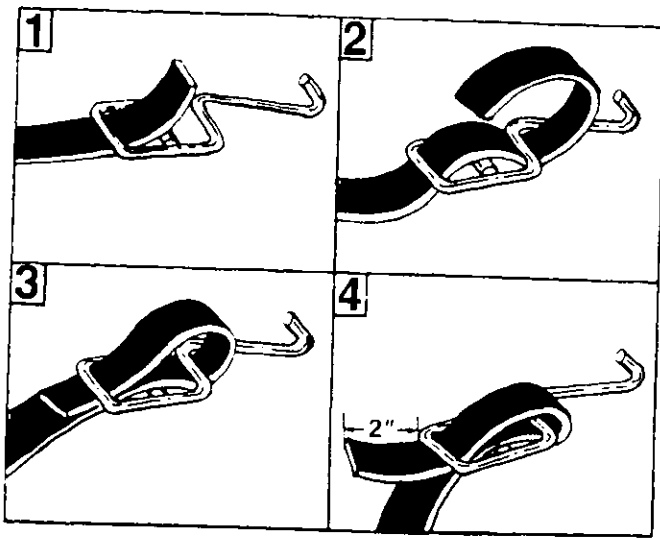
2. Remove the two truss head screws which secure the transmission cover. See figure 4.

FIGURE 4.



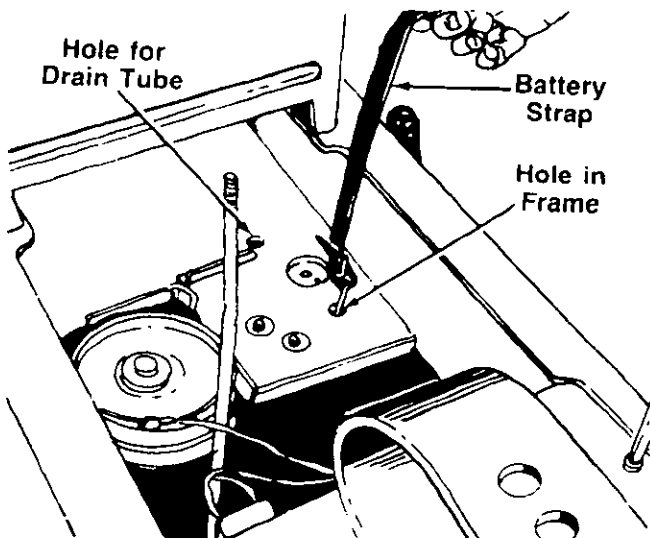
3. Lift the transmission cover. Unplug the safety wire from beneath the transmission cover. See figure 5.
5. Remove transmission cover.

FIGURE 5.



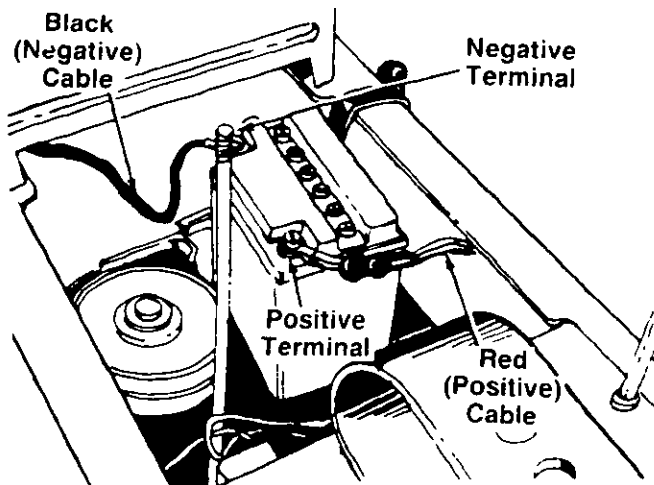
4. Assemble one battery strap hook to each end of the battery strap as shown in figure 6. Adjust the strap so there is about 2" of strap beyond the hooks.

FIGURE 6.



5. Hook one end of the battery strap into the hole provided in the frame. See figure 7. Lay the strap over the side of the frame.

FIGURE 7.



6. Set the battery in the lawn tractor so that the negative terminal is toward the front of the unit. See figure 8. Place the end of the drain tube into the hole in the frame shown in figure 7.

7. Slide the square nut (provided with battery hardware) into the positive (+) terminal. Place the positive (heavy red wire) cable on the positive terminal. Secure with screw provided. See figure 8.

8. Slide the square nut (provided with battery hardware) into the negative (-) terminal. Place the negative (heavy black wire) cable on the negative terminal. Secure with screw provided.

FIGURE 8.

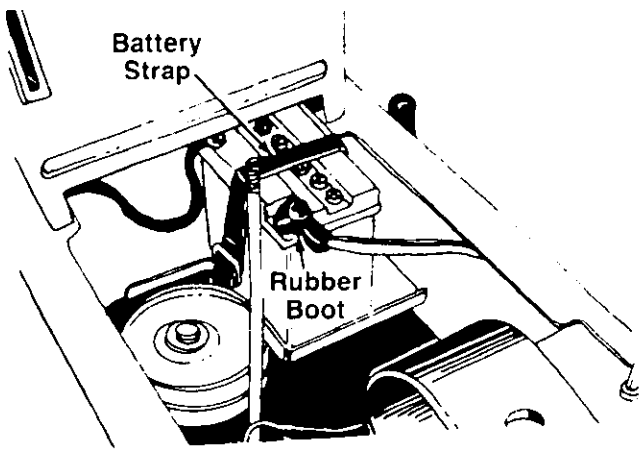


FIGURE 9.

9. Slide the battery forward into position as shown in figure 9. Secure in place with the battery strap, stretching strap over the battery and hooking into hole in the frame.

10. Slide rubber boot over the positive terminal. See figure 9.

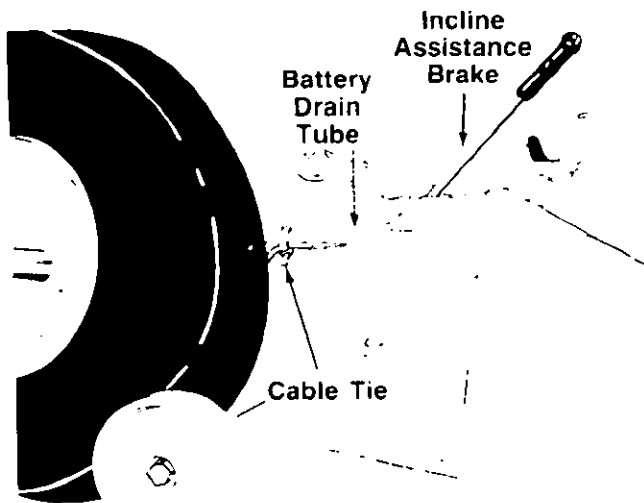


FIGURE 10.

11. Route the battery drain tube toward the back of the unit, over the shaft on the incline assistance brake and inside the deck links. See figure 10.

12. Secure drain tube to hole in the side of frame with cable tie as shown in figure 10. Trim excess end of cable tie. Be certain tube is routed away from wheel rim.

13. Plug the safety wire into the switch beneath the transmission cover. Refer to figure 5. Replace the transmission cover and gear shift knob.

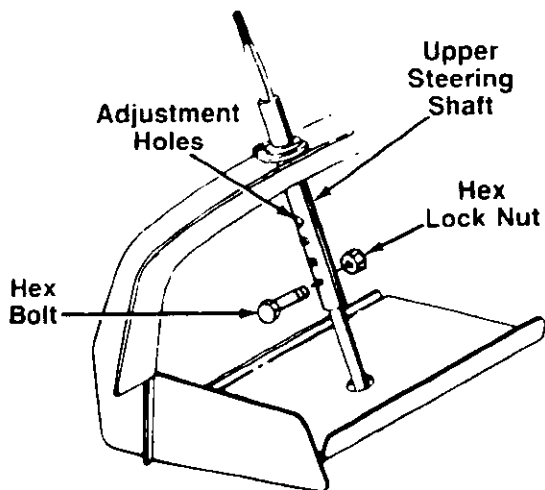


FIGURE 11.

ATTACHING THE STEERING WHEEL (Hardware B)

1. For shipping purposes, the upper steering shaft is pushed all the way down over the lower steering shaft. Pull the upper steering shaft up. The four holes in the upper steering shaft provide four steering wheel heights. Select desired hole, and secure with hex bolt and hex lock nut. See figure 11.

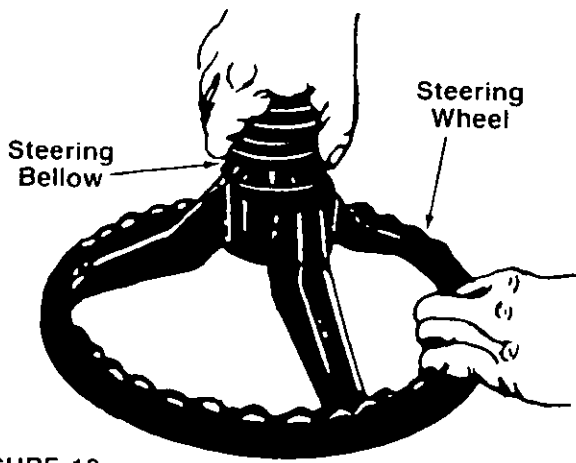


FIGURE 12.

2. Attach one end of steering bellow to the steering wheel as shown in figure 12.

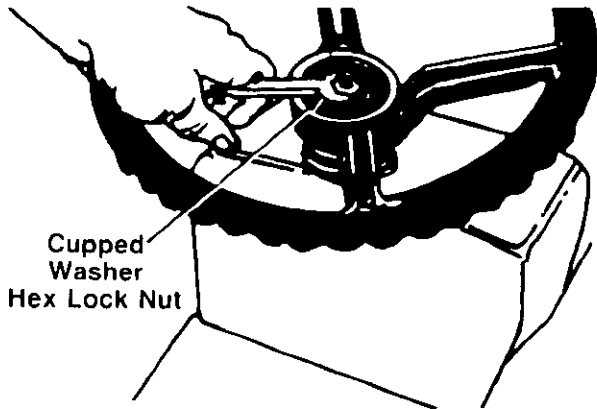


FIGURE 13.

3. Position the front wheels of the tractor so they are pointing straight forward.
4. Place the steering wheel and steering bellow over the steering shaft, positioning steering wheel as desired.
5. Place the washer with the cupped side down over the steering shaft. Secure with 5/16" hex lock nut. See figure 13.
6. Place the steering wheel cap over the center of the steering wheel and seat it with your hand.



ATTACHING THE SEAT (Hardware C)

1. The seat may be adjusted to two different positions. Select desired position and secure to seat spring with two hex bolts and lock washers. See figure 14.

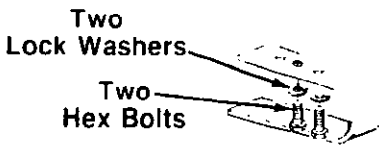


FIGURE 14.

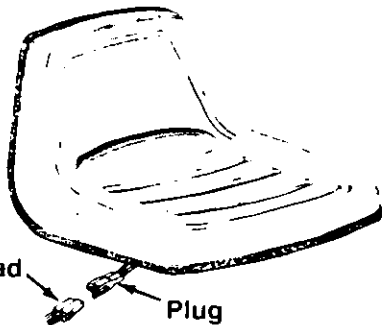


FIGURE 15.

2. Plug the wire lead which is in the wire harness beneath the seat into the plug on the wire lead extending from the right hand side of the seat. See figure 15.



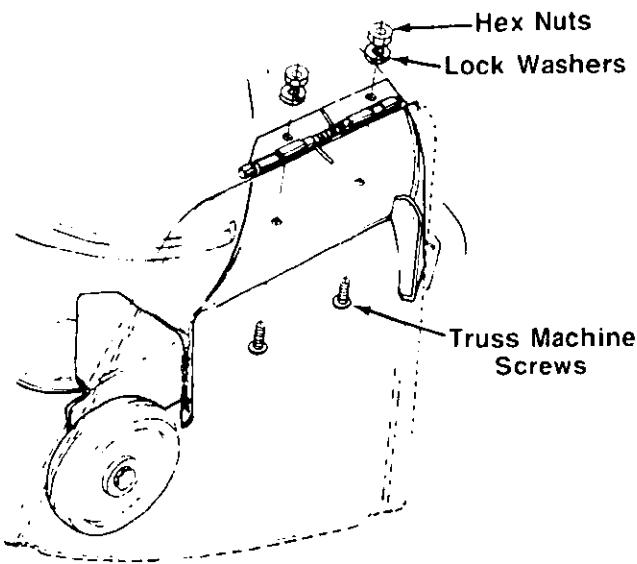


FIGURE 16.

ATTACHING THE CHUTE DEFLECTOR (If Unassembled)

If the chute deflector has not been assembled on your unit, remove the truss machine screws, lock washers and hex jam nuts which are attached to the deck next to the chute opening.

Place the chute deflector in position as shown in figure 16. Secure with hardware just removed.



WARNING

Do not operate your unit unless the chute deflector has been properly installed.

CONTROLS

THROTTLE CONTROL

The throttle control is used to regulate the engine speed. To get maximum efficiency from cutting, the throttle should be in the FAST position when operating the mower. See figure 17.

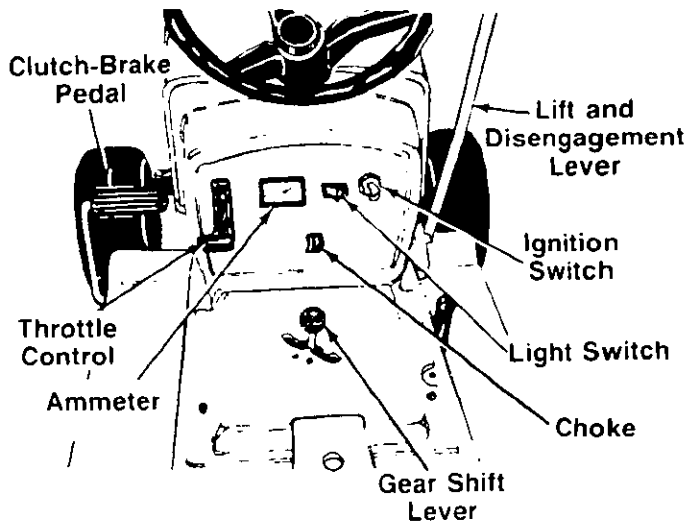


FIGURE 17A.—Model TMO-33920B

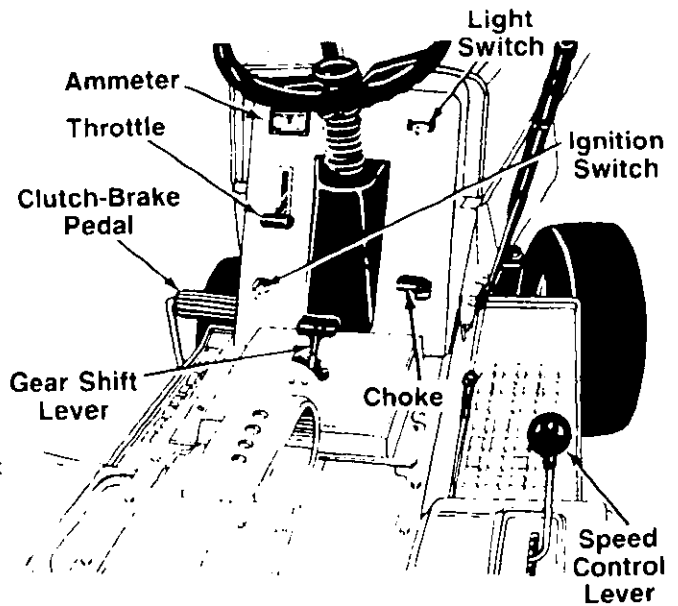


FIGURE 17B.—Model TMO-33921B

CHOKE CONTROL

The choke control is located on the dashboard and is operated manually. Details for the choke operation are covered in the separate engine manual packed with your unit. See figure 17.

GEAR SHIFT LEVER

The shift lever is located in the center of the console and has three positions, FORWARD, NEUTRAL and REVERSE. See figure 17. The clutch-brake pedal must be depressed and the lawn tractor must not be moving when shifting gears. Do not force the shift lever. Release the clutch-brake pedal slightly to line up the shifting collar in the transmission. Then try to shift gears.

SPEED CONTROL LEVER

The speed control lever allows you to regulate the ground speed of the lawn tractor. See figure 17. To select the ground speed, depress clutch pedal. Push speed control lever outward and move backward to slow lawn tractor. move forward to increase speed. When desired speed has been obtained, release lever in that position. Whenever clutch is engaged, unit will automatically go to the pre-set speed.

IGNITION SWITCH

Turn the key to the START position to start the engine. When the engine is running, let the key return to the ON position. To stop the engine, turn the key to the left to the OFF position and remove it to prevent accidental starting. See figure 17.

LIGHT SWITCH

Push the light switch to turn on the lights. The lights will only operate when the engine is running. See figure 17.

AMMETER

The ammeter registers the rate of battery charge or discharge. The ammeter will register on the discharging side when starting the engine. It should register on the opposite side (charging) when the engine is running in the fast position until the battery is completely charged. With a fully charged battery or with the engine idling, the ammeter will not show a charge. See figure 17.

CLUTCH-BRAKE PEDAL

The clutch-brake pedal is located on the left side of the lawn tractor. Depressing the clutch-brake pedal part way disengages the clutch. Pressing the pedal all the way down disengages the clutch and engages the disc brake. See figure 17.

➔ NOTE

The clutch-brake pedal must be depressed to start the engine.

PARKING BRAKE

The speed control lever is used to set the parking brake. To set the parking brake, depress the clutch-brake pedal. Press the speed control lever outward and all the way to the rear of the unit. Release the speed con-

trol lever and the clutch-brake pedal.

To release the parking brake, depress the clutch-brake pedal, press the speed control lever outward and move to desired position. Release the speed control lever and the clutch-brake pedal.

INCLINE ASSISTANCE BRAKE

When stopping on a hill, hold the incline assistance brake lever back while you release the clutch-brake pedal until the lawn tractor begins to move, then release the lever. This lever permits smoother starts and clutch engagement by holding the tractor during the brake release/clutch engagement operation. See figure 18.

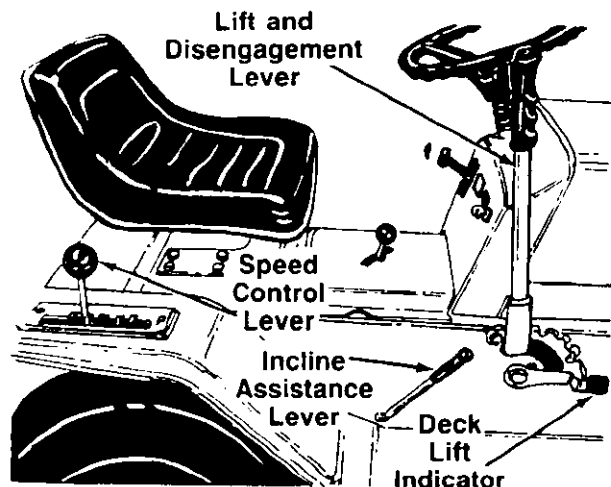


FIGURE 18A.—Model TMO-33920B

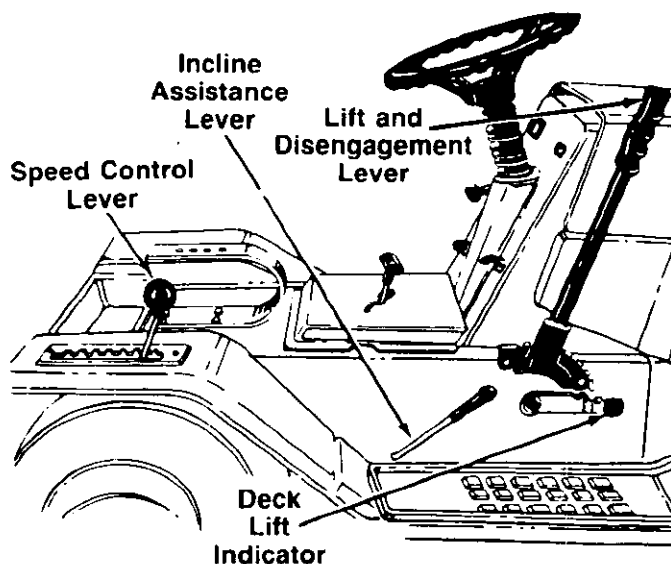


FIGURE 18B.—TMO-33921B

INTERLOCKS (Not Shown)

Interlock safety switches are located on the clutch-brake pedal, the lift and disengagement lever, the gear shift lever and under the seat.

Before the engine will start, the clutch-brake pedal must be depressed all the way and the lift and disengagement lever must be in the disengaged position.

Before the unit can be shifted into reverse or if the operator leaves the seat, the lift and disengagement lever must be in the disengaged position.

CUTTING CONTROLS

A. LIFT AND DISENGAGEMENT LEVER

The lift and disengagement lever is used to raise and lower the cutting deck. Pulling it all the way back and locking it disengages the blades. The lift and disengagement lever **must** be in the disengaged position when starting the engine, when shifting into reverse or if the operator leaves the seat. See figure 18.

B. DECK LIFT INDICATOR

The deck lift indicator marks the position being used for the lift lever. Select the lift lever position desired, press the indicator lever outward, move it to the position immediately below the lift lever and release the indicator lever. See figure 18.

C. DECK WHEEL HEIGHT ADJUSTMENT

Move the deck wheel to the desired hole location in the deck.

D. SETTING THE CUTTING HEIGHT

Move the deck wheel to the desired hole location in the deck.

1. Select the position for the lift lever which gives the desired cutting height. Move the deck lift indicator so that the lift lever can be returned to the same position after it is raised
2. Set the deck wheels so that the wheels are $\frac{1}{4}$ to $\frac{1}{2}$ inch above the ground.

OPERATION

CAUTION

- READ OPERATOR'S MANUAL(S) • NEVER CARRY CHILDREN
- KNOW LOCATION AND FUNCTION OF ALL CONTROLS
- KEEP SAFETY DEVICES (GUARDS SHIELDS AND SWITCHES) IN PLACE AND WORKING
- REMOVE OBJECTS THAT COULD BE THROWN BY BLADE(S)
- DO NOT OPERATE THE UNIT WHEN CHILDREN AND OTHERS ARE AROUND
- ALWAYS LOOK BEHIND THE UNIT BEFORE BACKING UP
- DO NOT OPERATE THE UNIT WHERE IT COULD SLIP OR TIP
- IF THE UNIT STOPS GOING UPHILL STOP BLADE(S) AND BACK SLOWLY DOWNHILL
- BE SURE BLADE(S) AND ENGINE ARE STOPPED BEFORE PLACING HANDS OR FEET NEAR BLADE(S)
- BEFORE LEAVING OPERATOR'S POSITION, SHUT ENGINE OFF AND REMOVE KEY

TIRE PRESSURE

For shipping purposes, the tires on your unit may be over-inflated. Tire pressure should be reduced before unit is put into operation. Recommended operating tire pressure should be 10 p.s.i.

Check sidewall of tire for manufacturer's maximum tire pressure. If this information does not appear on your tire, maximum tire pressure under any circumstances is 30 p.s.i. Equal tire pressure should be maintained on all tires.

STARTING THE ENGINE

NOTE

To open the hood, simply lift up on both sides of the hood.

1. Service the engine with oil and gasoline as described in the engine manual.
2. Depress the clutch-brake pedal and set the parking brake.
3. Place the lift and disengagement lever in the DISENGAGED position. See figure 18.

NOTE

This unit is equipped with a **safety interlock system** for your protection. The purpose of the safety interlock system is to prevent the engine from cranking or starting unless the clutch-brake pedal is depressed and the lift and disengagement lever is in the disengaged position. In addition, the lift and disengagement lever must be in the disengaged position when the unit is put into reverse or the engine will shut off. If the operator leaves the seat with the lift and disengagement lever engaged, the engine will shut off.



Do not operate the lawn tractor if the interlock system is malfunctioning because it is a safety device, designed for protection.

4. Set the throttle control in the FAST position. See figure 17.
5. Pull out choke knob to choke engine.

NOTE

A warm engine may not require choking.

6. Turn the ignition key to the START position. When the engine is running, let the key return to the ON position. See figure 17.
7. Push choke knob in gradually. Move the throttle control to desired engine speed.

STOPPING THE ENGINE

Turn the ignition key to the left to the OFF position. Remove the key to prevent accidental starting.

NOTE

A brief break-in period is essential to ensure maximum engine and mower life. The break-in consists of running the engine at half speed for a period of time required to use one tank of gasoline. It is also recommended to change crankcase oil after the first 5 hours of operation.

Be sure that the lawn is clear of stones, sticks, wire, or other objects which could damage lawn tractor or engine. For best results and to insure more even grass distribution, do not mow when lawn is excessively wet.

IMPORTANT

If you strike a foreign object, stop the engine. Remove wire from spark plug, thoroughly inspect the unit for any damage, and repair the damage before restarting and operating the mower.

NOTE

If any problems are encountered, refer to the Trouble Shooting Chart on page 24.

OPERATING THE LAWN TRACTOR

1. Set the desired cutting height.
2. Start the engine as instructed in previous column.
3. Move throttle control to $\frac{3}{4}$ or full throttle to prevent strain on the engine and to operate the cutting blades.
4. Place the shift lever in either the FORWARD or REVERSE position.



CAUTION

Look to the rear before backing up.

5. Release the parking brake by depressing the clutch-brake pedal, pressing outward on the speed control lever and moving to desired position.

NOTE

Use first speed position when operating the lawn tractor for the first time.

6. Release clutch-brake pedal slowly to put unit into motion.
7. The lawn tractor is brought to a stop by depressing the clutch-brake pedal.



CAUTION

If the unit is not to be used for a long period, place the gear shift lever in NEUTRAL, stop the engine, set the parking brake and remove the key. DO NOT leave the machine on an incline.

If unit stalls with speed control in high speed, or if unit will not operate with speed control lever in a low speed position, proceed as follows.

1. Place shift lever in NEUTRAL.
2. Restart engine.
3. Place speed control lever in high speed position.
4. Release clutch-brake pedal fully.
5. Depress clutch-brake pedal.
6. Place speed control lever in desired position.
7. Place shift lever in either FORWARD or REVERSE, and follow normal operating procedures.

OPERATING THE CUTTING BLADES

NOTE

This unit is equipped with high lift vacuum-action blades. The deep sound created by these blades is normal.

The cutting blades may be engaged while the lawn tractor is moving or standing still. DO NOT engage the cutting blades abruptly as the sudden belt tension on the pulley may cause the engine to stall.



WARNING

When the blade drive is engaged, keep feet and hands away from the discharge opening, the blades or any part of the deck.

Move the lift and disengagement lever into the DISENGAGED position to raise the deck and disengage the blades.

NOTE

When the machine is used for other than mowing operations, the blade drive should be disengaged.

GRASS CATCHER Model 190-064 is available as optional equipment for the lawn tractors shown in this manual.



WARNING

The mower should not be operated without the entire grass catcher or chute deflector in place.

NOTE

Under normal usage bag material is subject to wear, and should be checked periodically. Be sure any replacement bag complies with the mower manufacturer's recommendations.

For replacement bags, use only factory authorized replacement bag.

ADJUSTMENTS

SEAT ADJUSTMENT

The seat may be adjusted to one of two positions. Refer to seat installation section of assembly instructions.

STEERING WHEEL ADJUSTMENT

There are four height positions for the steering wheel. To adjust the height of the steering wheel, remove the hex bolt and hex lock nut on the steering shaft. Place the steering wheel in the position desired and secure with hex bolt and hex lock nut. Refer to figure 11.

NOTE

When raising the height of the steering wheel, stretch the steering bellow to cover the steering shaft.

DECK LEVELING ADJUSTMENT

If an uneven cut is obtained, the deck may be leveled as follows.

1. Remove the transmission cover:
 - a. Place the gear shift lever in the neutral position. Unscrew the gear shift knob.
 - b. Remove the two truss head screws which secure the transmission cover.

- c. Lift the transmission cover. Unplug the safety wire from beneath the transmission cover, and remove cover.
2. Using a 1/2" wrench, loosen the jam nut. See figure 19.
 3. With the unit on a hard, level surface, measure the distance from the bottom edge of the center of the left side of deck to the ground. Measure the same distance on the right side of the deck, just behind the chute area. Or, place the blades in a straight line, and measure the distance from the outside edge of the blade tips to the ground.
 4. Adjust the deck as follows: To raise the left side of the deck, tighten the adjusting screw. To lower the left side of the deck, back the adjusting screw off several turns. Remeasure the deck as described in step 3, and readjust if necessary. Tighten the jam nut to secure the adjusting screw when the deck is level.
 5. Replace the transmission cover, following the instructions in step 1 in reverse order. Be certain to reconnect the safety wire.

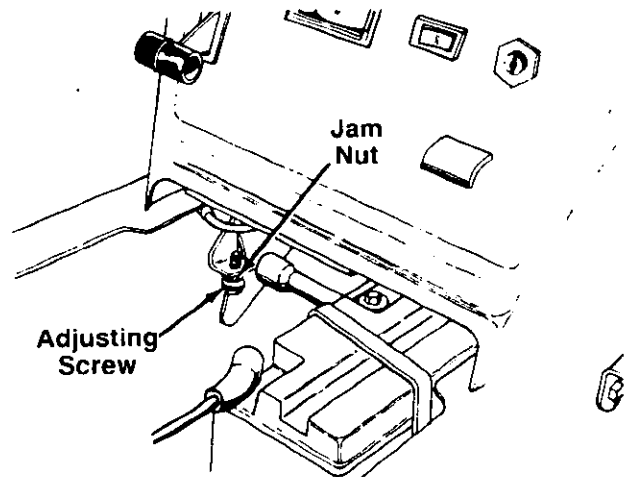


FIGURE 19.

SPEED CONTROL ADJUSTMENT (See figure 20)

First, adjust the speed control lever by pushing the clutch-brake pedal forward until the stop on the speed control rod is against the running board rod. See figure 20. Have another person hold the pedal in this position as you make the following adjustment. Place the speed control lever in parking brake position. Remove the hairpin cotter and flat washer, and adjust the ferule on the rod so it is against the back end of the slot. See figure 20. Replace the flat washer and hairpin cotter.

Next, adjust the speed control link as follows to obtain the correct neutral adjustment.

1. Start the engine.

2. Place the shift lever in Neutral position.
3. Place the speed control lever in high speed position.
4. Release the clutch-brake pedal completely, then slowly depress the pedal all the way (to park position). Hold the pedal in this position.
5. Turn the engine off
6. After engine stops completely, release the clutch-brake pedal.
7. Place speed control lever in second position.
8. Remove the cotter pin and flat washer which secures the speed control link to the variable speed torque bracket assembly.
9. Push the clutch-brake pedal backward by hand as far as it will go using light pressure. Hold it in this position as you thread the speed control link in or out of the ferrule until it lines up with the pin on the variable speed torque bracket assembly.
10. Secure speed control link to variable speed torque bracket assembly with flat washer and cotter pin.

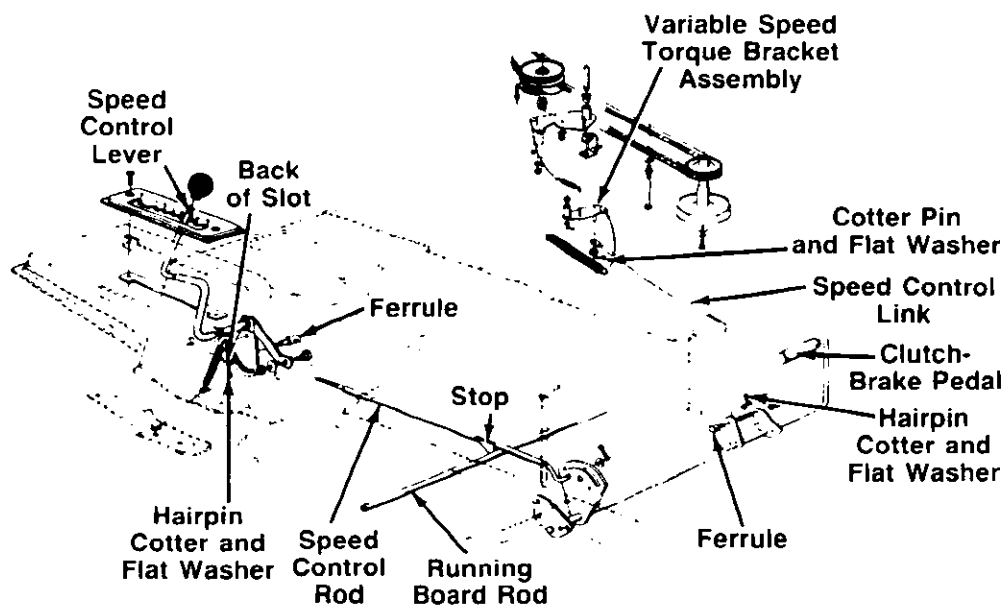


FIGURE 20.

NEUTRAL ADJUSTMENT

1. Place the transmission in neutral. (The unit will move freely when pushed forward and backward with the parking brake released.)
2. Loosen the bolt which secures the shift lever assembly to the shift lever link. See figure 21.
3. Place the shift lever in the neutral slot. See figure 21.
4. Tighten the bolt to 13 foot pounds.

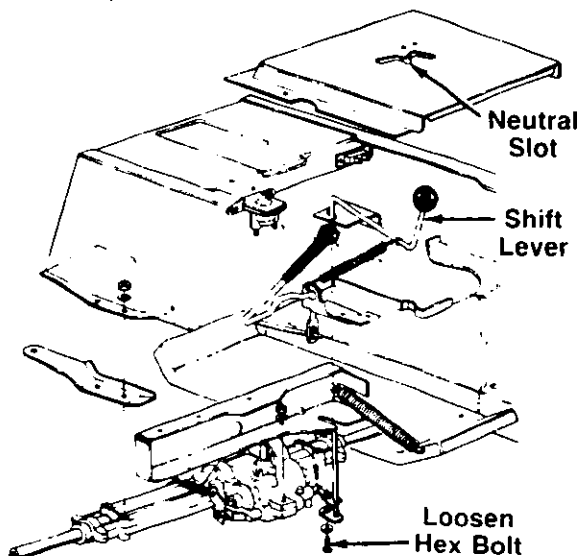


FIGURE 21.

WHEEL ADJUSTMENT

The caster (forward slant of the king pin) and the camber (tilt of the wheels out at the top) require no adjustment. Automotive steering principles have been used to determine the caster and camber on the tractor. The front wheels should toe-in 1/8 inch

To adjust the toe-in follow these steps.

- 1 Remove the hex nut and lock washer, and drop the tie rod end from the wheel bracket. See figure 22.
- 2 Loosen the hex jam nut on tie rod.
- 3 Adjust the tie rod assembly for correct toe-in.

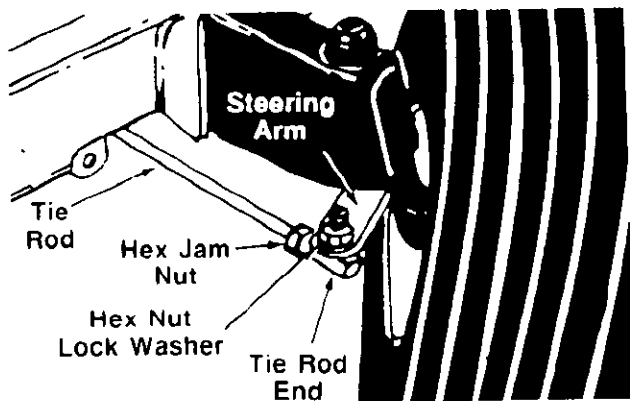


FIGURE 22.

Dimension "B" should be approximately 1/8" less than Dimension "A." See figure 23.

- A.) To increase Dimension "B," screw tie rod into tie rod end.
- B.) To decrease Dimension "B," unscrew tie rod from tie rod end.
- C.) Reassemble tie rod. Check dimensions. Readjust if necessary.

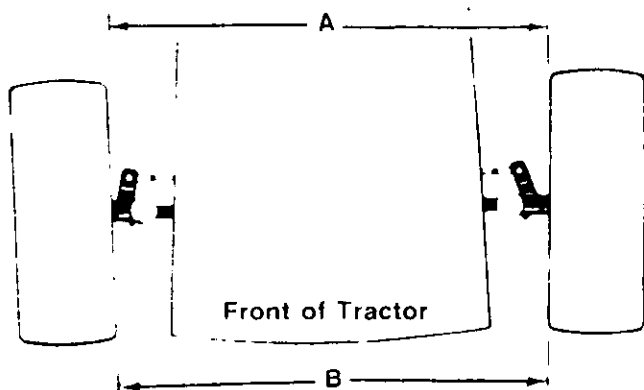


FIGURE 23. TOE-IN DIAGRAM

CARBURETOR ADJUSTMENT



WARNING

If any adjustments are made to the engine while the engine is running (e.g. carburetor), disengage all clutches and blades. Keep clear of all moving parts. Be careful of heated surfaces and muffler.

Minor carburetor adjustment may be required to compensate for differences in fuel, temperature, altitude and load. To adjust the carburetor, refer to the separate engine manual packed with your unit.

NOTE

A dirty air cleaner will cause an engine to run rough. Be certain air cleaner is clean and attached to the carburetor before adjusting carburetor. Refer to the separate engine manual.

BRAKE ADJUSTMENT (See figure 24)

The brake is located by the right rear wheel inside the frame. During normal operation of this machine, the brake is subject to wear and will require periodic examination and adjustment.



WARNING

Do not have the engine running when you adjust the brake.

To adjust the brake, remove the cotter pin. Adjust the castle nut so the brake starts to engage when the brake lever is 1/4" to 5/16" away from the axle housing.

NOTE

Figure 24 is shown with the unit tipped up on rear wheels for clarity only.

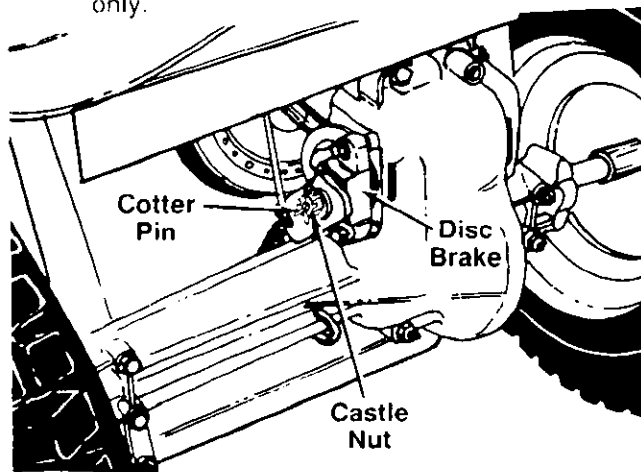


FIGURE 24.

LUBRICATION



WARNING

Always stop engine and disconnect spark plug wire before cleaning, lubricating or doing any kind of work on lawn tractor

STEERING GEARS

Lubricate teeth of steering gears with automotive multi-purpose grease after every 25 hours of operation or once a season. See figure 25.

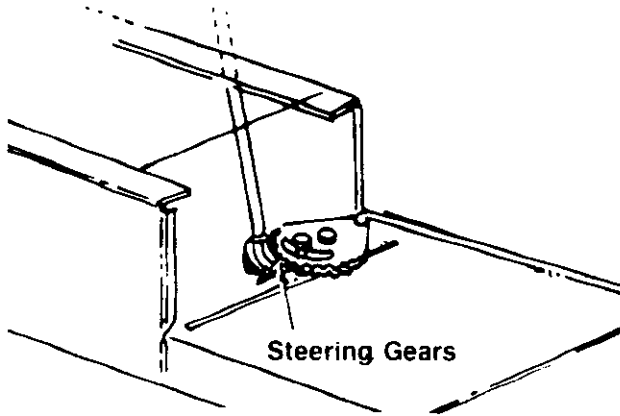


FIGURE 25.

STEERING SHAFT

Lubricate steering shaft at least once a season with light oil.

TRANSAXLE

The transaxle is lubricated and sealed at the factory and does not require checking. If disassembled for any reason, lubricate with 10 oz. of grease, part number 737-0148

FRONT WHEELS

The front wheels are provided with grease fittings. Lubricate at least once a season with automotive multi-purpose grease

PIVOT POINTS

Lubricate all pivot points with light oil at least once a season.

MAINTENANCE



WARNING

Disconnect the spark plug wire and ground against the engine before performing any repairs or maintenance

TROUBLE SHOOTING

Refer to page 24 of this manual for trouble shooting information.

CRANKCASE OIL

Check the oil level in the crankcase before each use of the machine and after every five hours of operation. Oil level should be maintained as instructed in the separate engine manual.

After the first five hours of operating a new engine, drain the oil from the crankcase while engine is still hot and refill crankcase with new oil; thereafter change the oil every 25 hours of operation. Refer to the engine manual.

AIR CLEANER

Under normal operating conditions, the air cleaner, located on top of the carburetor, must be serviced after every ten hours of use. Under extremely dusty operating conditions, the air cleaner must be serviced after every hour of operation. To service the air cleaner, refer to the separate engine manual packed with your unit.

CLEANING ENGINE AND BLADE HOUSING

Any fuel or oil spilled on the machine should be wiped off promptly. Grass, leaves, and other dirt must not be left to accumulate around the cooling fins of the engine or on any part of the machine.

Clean the underside of the blade housing after each mowing.

SPARK PLUG

The spark plug should be cleaned and the gap reset once a season. Spark plug replacement is recommended at the start of each mowing season; check engine manual for correct plug type and gap specification.

CUTTING BLADE

A. Removal for Sharpening or Replacement



WARNING

Be sure to disconnect and ground the spark plug wire and remove ignition key before working on the cutting blade to prevent accidental engine starting. Protect hands by using heavy gloves or a rag to grasp the cutting blades.

1. Remove the large bolt and lock washer which holds the blade and adapter to the blade spindle.
2. Remove the blade and adapter from the spindle.
3. If the blade or blade adapter needs replacing, remove the two small bolts, lock washers and nuts which hold the blade to the adapter.

B. Sharpening

Remove the cutting blade by following the directions of the preceding section.

When sharpening the blade, follow the original angle of grind as a guide. It is **extremely important** that each cutting edge receives an equal amount of grinding to prevent an unbalanced blade. An unbalanced blade will cause excessive vibration when rotating at high speeds, may cause damage to the mower and could break, causing personal injury.

The blade can be tested for balance by balancing it on a round shaft screwdriver. Remove metal from the heavy side until it balances evenly.

NOTE

It is recommended that the blade always be removed from the adapter for the best test of balance.

C. Reassembly

Before reassembling the blade and the blade adapter to the unit, lubricate the spindle and the inner surface of the blade adapter with light oil. Lubricating the bolt holes, bolts and inner surface of the nuts with light oil is also recommended. A 4 oz. plastic bottle of light oil lubricant is available. Order part number 737-0170. Engine oil may also be used.

When replacing the blade, be sure to install the blade with the side of the blade marked "Bottom" (or with part number) facing the ground when the mower is in the operating position.

Blade Mounting Torque

3/8" Dia Bolt 375 in. lb. min., 450 in. lb. max.
5/16" Dia Bolt 150 in. lb. min., 250 in. lb. max.

To insure safe operation of your unit, ALL nuts and bolts must be checked periodically for correct tightness.

FUEL FILTER

Your unit is equipped with a replaceable in-line fuel filter. Replace filter whenever contamination or discoloration is noticed. Order replacement filter through your engine authorized service dealer.

DRIVE BELT REMOVAL AND REPLACEMENT



WARNING

Disconnect the spark plug wire and ground it against the engine. Block the wheels of the unit.

NOTE

Figures 26 and 29 through 31 are shown with the unit tipped up for clarity. It is not necessary to tip the unit to remove the belts.

However, if tipping the unit is desired, remove the battery from the unit. To prevent gasoline leakage, drain the gasoline, or remove the fuel tank cap, place a thin piece of plastic over the neck of the fuel tank and screw on the cap. Be certain to remove the plastic when finished changing the belts. Block unit securely.

Removing the Deck Belt

1. Place the lift lever in the disengaged position.
2. Remove the three hex bolts (belt keepers) from the engine pulley belt guard. See figure 26.

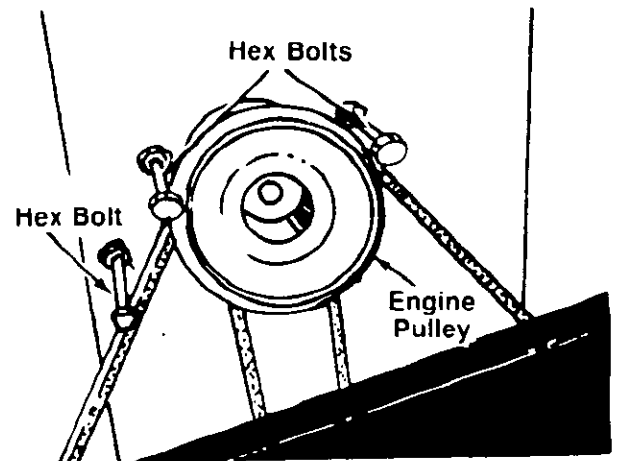


FIGURE 26.

NOTE

Make certain hex bolts are reassembled as shown in figure 26.

3. Unhook the deck belt from the engine pulley.
4. Place the lift lever in the engaged (all the way forward) position.
5. Disconnect the six deck links by removing the hair-pin cotters and flat washers.
6. Place the lift lever in the disengaged position.
7. Slide the deck from beneath the lawn tractor.
8. Remove the belt guards at each deck pulley by removing the hex bolts, lock washers and hex nuts. See figure 27.
9. Remove and replace the belt, following the instructions in reverse order.

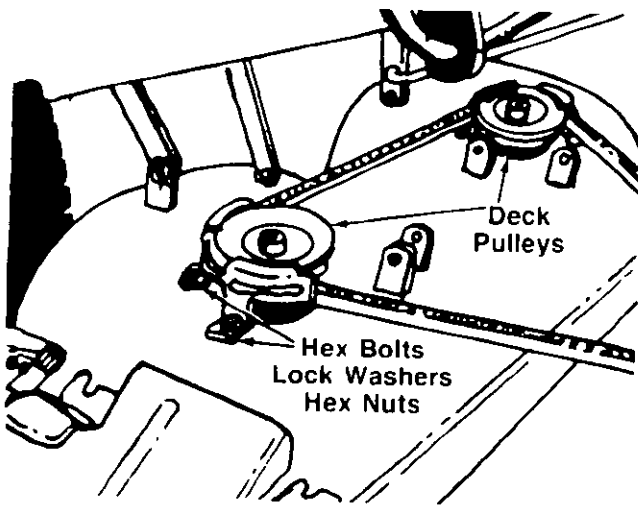


FIGURE 27.

Removing the Rear Drive Belt

1. Remove the two truss head screws which secure the transmission cover. See figure 4.
2. Lift the transmission cover. Unplug the safety wire from beneath the transmission cover. Refer to figure 5. Remove transmission cover.
3. Push the idler pulley toward the right side of the unit. Lift the belt over the idler pulley. See figure 28.
4. Remove the belt from the variable speed pulley.
5. Remove the two bolts which hold the shift lever bracket to the frame on the left side of the unit. Swing the bracket toward the right so the belt can be removed from the transmission pulley. See figure 28.
6. Replace belt, and reassemble in reverse order.

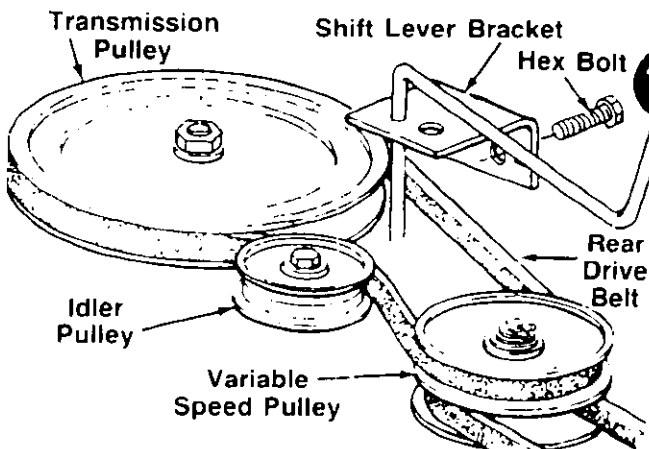


FIGURE 28.

Removing the Front Drive Belt

1. To remove the front drive belt, first remove the rear drive belt from the idler pulley and variable speed pulley.
2. Place the lift lever in the disengaged position.
3. Remove the three hex bolts (belt keepers) from the engine pulley belt guard. See figure 26.

NOTE

Make certain hex bolts are reassembled as shown in figure 26.

4. Unhook the deck belt from the engine pulley.
5. Remove the two bolts, lock washers and nuts on each side of the frame which hold the engine pulley belt guard to the frame. See figure 29.

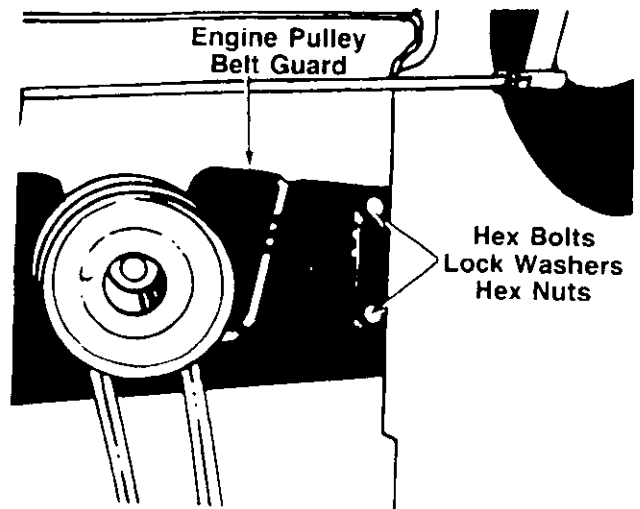


FIGURE 29.

6. Remove the engine pulley belt guard by slipping it back and to the right. See figure 30.

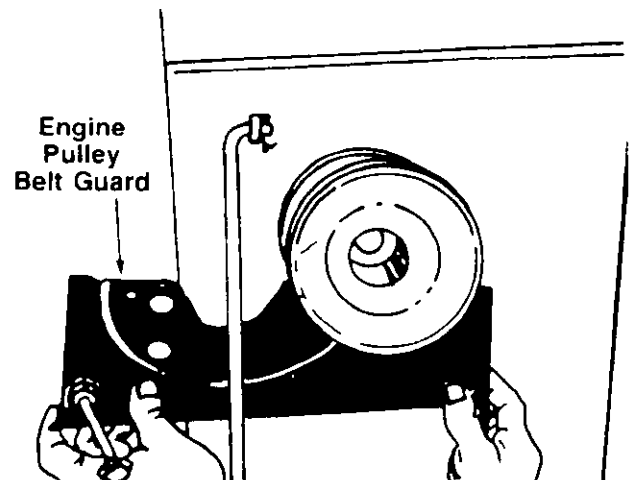


FIGURE 30.

7. Place the clutch-brake pedal in park position.
8. Push forward on the variable speed pulley and lift the belt off the engine and remove the belt from the engine pulley.
9. Release the clutch-brake pedal. Using the pedal to move the variable speed pulley as necessary, lift the belt up and off the variable speed pulley.

NOTE

It may be helpful to remove the pins which act as belt keepers, shown in figure 31. When reassembling, make certain belt is inside the pins.

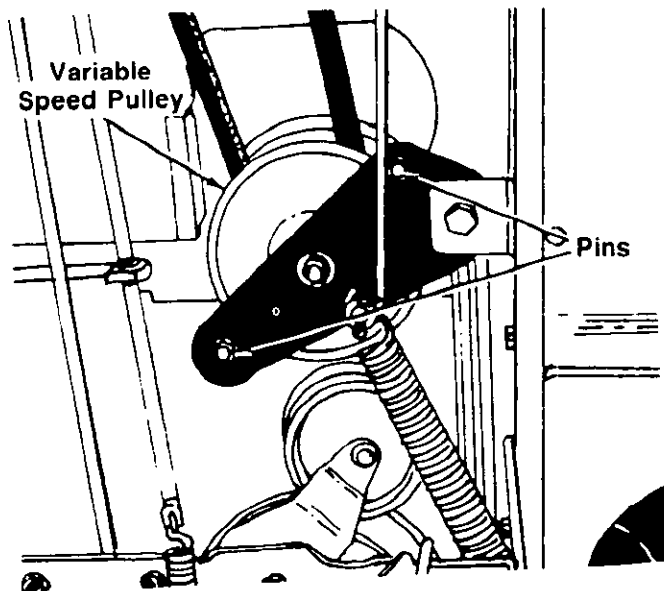


FIGURE 31.

10. Reassemble with a new belt, following instructions in reverse order.

BATTERY REMOVAL OR INSTALLATION



When removing the battery, follow this order of disassembly to prevent the screwdriver from shorting against the frame.

1. Remove the Negative cable.
2. Remove the Positive cable.

To install a battery:

1. Attach the Positive cable.
2. Attach the Negative cable.

JUMP STARTING

1. Attach the first jumper cable from the Positive terminal of the good battery to the Positive terminal of the dead battery.
2. Attach the second jumper cable from the Negative terminal of the good battery to the FRAME OF THE UNIT WITH THE DEAD BATTERY.



Failure to use this starting procedure could cause sparking, and the gas in either battery could explode.

BATTERY MAINTENANCE

1. Check periodically (every two weeks or before and after charging) to be sure electrolyte level is above the lowest line on battery. Add only distilled water or a good quality drinking water. NEVER add additional acid or other chemicals to battery after initial activation.
2. The battery should be checked with a hydrometer after every 25 hours of operation. If the specific gravity is less than 1.225, remove battery and recharge.
3. Coat the terminals and exposed wiring with a thin coat of grease or petroleum jelly for longer service and protection against electrolyte corrosion.
4. The battery should be kept clean. Any deposits of acid should be neutralized with soda and water. Be careful not to get this solution in the cells.

BATTERY STORAGE

1. Charge battery using normal methods. NEVER store discharged battery as it will not recover.
2. When storing battery for extended periods, disconnect battery cables. Removing battery from unit is recommended.
3. Store in cold, dry place.
4. Recharge battery whenever the specific gravity is less than 1.225, before returning to service, or every two months, whichever occurs first.

COMMON CAUSES FOR BATTERY FAILURE ARE:

1. Overcharging
2. Undercharging
3. Lack of water
4. Loose holds downs and/or corroded connections
5. Excessive loads
6. Battery electrolyte substitutes
7. Freezing of electrolyte

NOTE

THESE FAILURES DO NOT CONSTITUTE WARRANTY.

INSTALLATION OF TIRE TO RIM



The following procedure must be followed when removing or installing a tire to the rim

1. Be sure rim is clean and rust free.
2. Lubricate both the tire and rim generously.
3. Never inflate to over 30 p.s.i. to seat beads. Excessive inflation pressure when seating beads may cause tire/rim assembly to burst with force sufficient to cause serious injury.

OFF-SEASON STORAGE

If the machine is to be inoperative for a period longer than 30 days, prepare for storage as follows

1. Clean the engine and the entire unit thoroughly

2. Lubricate all lubrication points. Wipe the entire machine with an oiled rag to protect the surfaces.
3. Refer to the engine manual for correct engine storage instructions. The engine must be completely drained of fuel to prevent gum deposits from forming on essential carburetor parts, fuel lines and fuel tanks.
4. Refer to battery storage instructions on page 21.
5. Store unit in a clean, dry area.

NOTE

When storing any type of power equipment in an unventilated or metal storage shed, care should be taken to rustproof the equipment. Using a light oil or silicone, coat the equipment, especially any chains, springs, bearings and cables.

TROUBLE SHOOTING CHART FOR ELECTRIC START MODELS

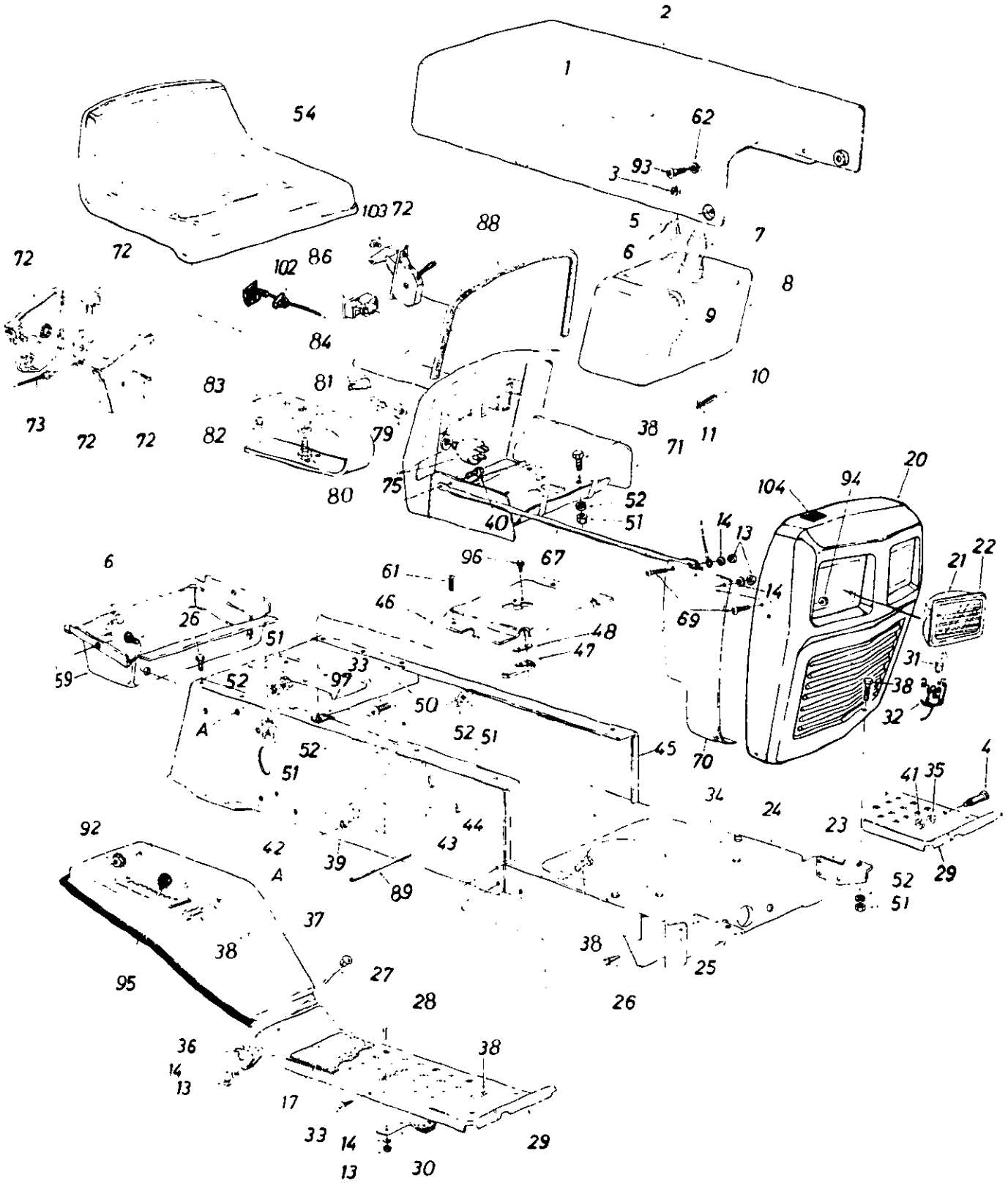
TROUBLE	LOOK FOR	REMEDY
Engine will not crank	Battery installed incorrectly	The battery must be installed with the negative terminal, identified at the terminal post by (Neg, N or -), grounded. The positive terminal (Pos, P or +) attaches to the large cable from the solenoid. The small red wire from the fuse holder or circuit breaker is also attached to the positive terminal.
	Blown fuse or circuit breaker	Replace fuse with 7½ amp fuse ¼ x 1¼" lg. Circuit breaker will reset itself when it cools off. Fuses or circuit breakers seldom open or fail without a reason. The problem must be corrected. Check for loose connections in the fuse holder. Replace fuse holder if necessary. A dead short may be in the cranking or charging circuit where the insulation may have rubbed through and exposed the bare wire. Replace the wire or repair with electrician's tape if the wire strands have not been damaged. Note: Look for a wire pinched between body panels, burned by the exhaust pipe or muffler or rubbed against a moving part.
	Battery is dead or weak	<p>Use a hydrometer to check the condition of the battery. The Specific Gravity (s.g.) should be 1.265 at 80°F (1.215 s.g. minimum needed for cranking engine). The reason for the battery failing must be determined. (1) Defective battery. Battery will not accept or hold a full charge. (2) Short circuit. Check for grounded wire. (3) Charging system not working.</p> <p>The charging system is an alternator located under the flywheel. It is unregulated and rated 3 amp. at 3600 r.p.m. A diode (rectifier) is located in the output lead just before the wire harness plug on the engine side.</p> <div style="text-align: center;"> </div> <p>The diode changes A.C. to D.C. to charge the battery. A bad diode can either fail to charge the battery or discharge the battery if the alternator is shorted as well as the diode. To test: (1) Disconnect charger lead from the battery (small red wire). (2) Connect 12 V small test lamp between the 3 amp. D.C. charge lead and the positive terminal of the battery. (3) With the engine off, the lamp should not light. If it does, the diode and possibly the alternator should be replaced. (4) Start the engine. The lamp should light. If it does not, the alternator (stator) or lead wire is bad and should be replaced.</p>
Mechanical failure (Wires and switches)	The interlock system includes two mechanical activated switches which are wired in series in the circuit used to energize the starter solenoid. While testing the interlock system, you will make the mower temporarily unsafe by permitting the engine to be started with the blade and clutch engaged. WARNING While testing, disengage the clutch, shut off the blade control, set the parking brake and place the gear shift lever in neutral. Attach a wire (minimum 18 gauge) to the positive terminal of the battery and touch the other end to the small terminal on the solenoid. If the engine does not crank: (1) There is a loose connection or poor ground. (2) The solenoid may be bad. The solenoid can be checked by using a heavy wire (#8 gauge minimum) and jumping between the two large terminals. If the engine cranks, the solenoid is bad. (3) If the engine does not crank when you jump the solenoid, have the starter motor tested by an authorized engine dealer. If the engine does crank, the problem is with one of the safety switches, ignition switch or the wire between the fuse holder (or circuit breaker) and the small terminal on the solenoid. Note: Look for a poor connection at the switches or a defective switch. Replace if necessary.	
Engine cranks but will not start	Throttle or choke not in starting position	Check owner's guide for correct position for throttle control and choke for starting.
	No spark to spark plug	<p>Spark plug lead disconnected. Connect lead. Hold spark plug lead away from engine block about 1/8". Crank engine. There should be a spark. If not, have engine repaired at authorized engine service dealer.</p> <p>Faulty spark plug. To test, remove spark plug. Attach spark plug lead to spark plug. Ground the spark plug body against the engine block. Crank the engine. The spark plug should fire at the electrode. Replace if it does not.</p>

TROUBLE SHOOTING CHART FOR ELECTRIC START MODELS

TROUBLE	LOOK FOR	REMEDY
	No fuel to the carburetor	Gasoline tank empty. Fill. Fuel line or in-line fuel filter plugged. Remove and clean fuel line. Replace filter if necessary.
	Air filter dirty	If the air cleaner is dirty, the engine may not start. Clean or replace as recommended by the engine manufacturer
Engine smokes	Engine loses crankcase vacuum	Dipstick not seated or broken. Replace defective part. Engine breather defective. Replace.
Excessive vibration	Bent or damaged blade spindle	Stop engine immediately. Check all pulleys, blade adapters, keys and bolts for tightness and damage. Tighten or replace any damaged parts.
	Bent blade	Stop engine immediately. Replace damaged blade. Only use original equipment blades.
Mower will not discharge grass or leaves uncut strips	Engine speed low Transmission selection Blades short or dull	Throttle must be set between 3/4 and full throttle. Use lower transmission speed. The slower your ground speed, the better the quality of cut. Sharpen or replace blades (uncut strip problem only)

TMO-33920B

Parts shown are for Model TMO-33920B Only—
For Model TMO-33921B, see page 28.



TMO-33920B

12 H.P. 38" LAWN TRACTOR PARTS LIST FOR MODEL TMO-33920B

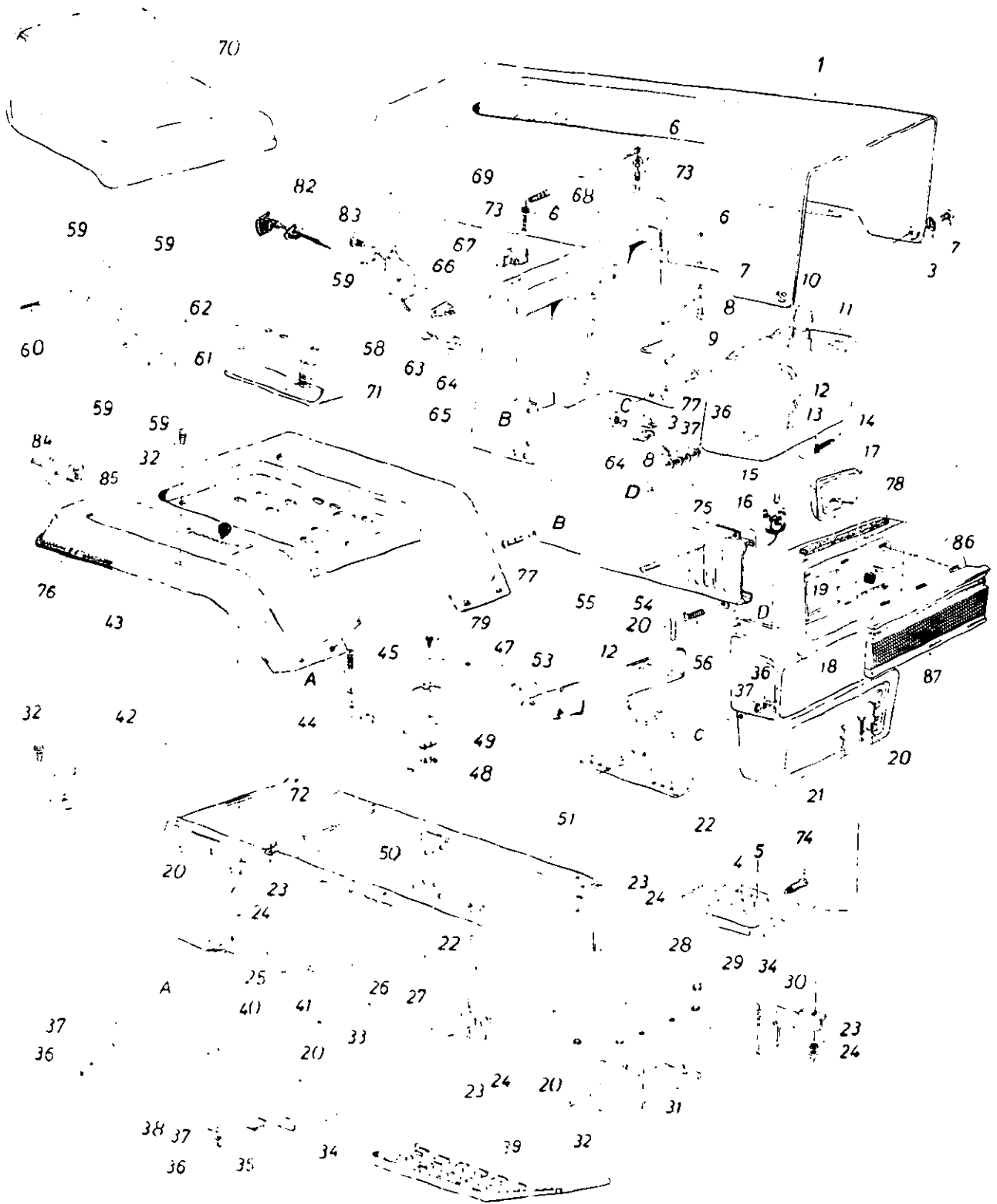
REF. NO.	PART NO.	DESCRIPTION	NEW PART	REF. NO.	PART NO.	DESCRIPTION	NEW PART
1	732-0414	Hood Spring		45	14603CC621	L.H. Side Frame	
2	14665CC621	Hood		46	16433	Shift Cover	
3	712-0272	Hex Sems Nut #10-24 Thd.*		47	725-0759	Reverse Safety Switch	
4	738-0145	Shld. Bolt .50 Dia. x .84		48	726-0222	Insulator Nut Plate	
5	723-0302	Hood Stop 7" Lg.		50	14607	Hitch Plate	
6	710-0473	Truss Hd. Scr. #10-24 x 1/2"		51	712-0267	Hex Nut 5/16-18 Thd.*	
7	723-0333	Fuel Cap Gauge		52	736-0119	L-Wash. 5/16" I.D.*	
8	751-0172	Fuel Tank		54	757-0340	Seat Ass'y.	N
9	726-0209	Tie Strap		59	731-0561	Tool Tray	
10	751-0173	Fuel Line		61	710-0351	Truss Mach. Tap Scr. #10 x .50" Lg.	
11	726-0207	Hose Clamp		62	736-0413	Washer .39" I.D. x .62"	
13	712-0287	Hex Nut 1/4-20 Thd.*		67	749-0517	Grille Support Rod (R.H. & L.H.)	
14	736-0329	L-Wash. 1/4" I.D.*		69	710-0255	Truss Hd. Scr. 1/4-20 x .75"	
17	723-0360	Foot Pad	N	70	16619	R.H.—Grille Side Panel	
20	17025	Grille Ass'y.			16621	L.H.—Grille Side Panel	
21	731-0705	Headlight Housing		71	16184	Dash Panel Ass'y.	
22	731-0706	Headlight Lens		72	831-0823	Throttle Control Box Ass'y.	
23	13863	Grille Mount Brkt.—L.H.		73	746-0638	Throttle Control Wire	
24	14619	Front Pivot Brkt.		75	725-0267	Ignition Switch	
25	13862	Grille Mount Brkt.—R.H.		79	725-0201	Ignition Key	
26	710-0726	Hex Wash Hd. AB-Tap Scr. 5/16 x .75" Lg.		80	710-0865	Hex Bolt 1/2-13 x 1.00" Lg. (2-Req'd.)	
27	710-0495	Carriage Bolt 1/4-20 x 2.0"		81	736-0921	L-Wash. 1/2" I.D.*	
28	710-0134	Carriage Bolt 1/4-20 x .62"		82	710-0376	Hex Bolt 5/16-18 x 1.0"	
29	14604	Running Board (R.H. & L.H.)		83	732-0458	Seat Spring 5.5" High	
30	761-0168	Blade Brake Ass'y.		84	725-0634	Light Switch	
31	725-0963	Head Lamp		86	725-0925	Ammeter	
32	725-1058	Twist Lock Lamp Socket		88	731-0511	Molding Strip 27" Lg.	
33	710-0323	Truss Mach. Scr. 5/16-18 x .75" Lg.*		89	738-0526	Running Board Rod	
34	15950	Lower Frame		92	712-0272	Hex Sems Nut #10-24 Thd.	
35	736-0169	L-Wash. 3/8" I.D.*		93	738-0724	Shld. Bolt .375 Dia. x .125	
36	14671	Fender Clamp		94	712-0380	L-Nut 1/4-28 Thd.	
37	16197CC621	Fender (R.H.)		95	731-0511	Trim Strip—57" Lg.	
	14666CC621	Fender (L.H.)		96	710-0227	Hex Wash. Hd. AB-Tap Scr. #8 x .50" Lg.	
38	710-0118	Hex Bolt 5/16-18 x .75" Lg.*		97	726-0139	Speed Nut #10Z	
39	14602CC621	R.H. Side Frame		102	746-0615	Choke Control 29" Lg.	
40	710-0258	Hex Bolt 1/4-20 x .62" Lg.*		103	710-0779	Truss Mach. AB-Tap Scr. #10 x .50" Lg.	
41	712-0798	Hex Nut 3/8-16 Thd.*		104	722-0157	Foam Strip 3/8 x 1-1/8 x 1 1/2	
42	747-0475	Battery Strap Hook					
43	731-0718	Battery Hold Down Strap					
44	725-0514	12-V Battery					

*Common Hardware—May be purchased locally.
Important: Do not order by reference number (Ref. No.).

NOTE: Specifications subject to change without notice or obligation.

TMO-33921B

Parts shown are for Model TMO-33921B Only—
For Model TMO-33920B, see page 26.



TMO-33921B

12 H.P. 38" LAWN TRACTOR PARTS LIST FOR MODEL TMO-33921B

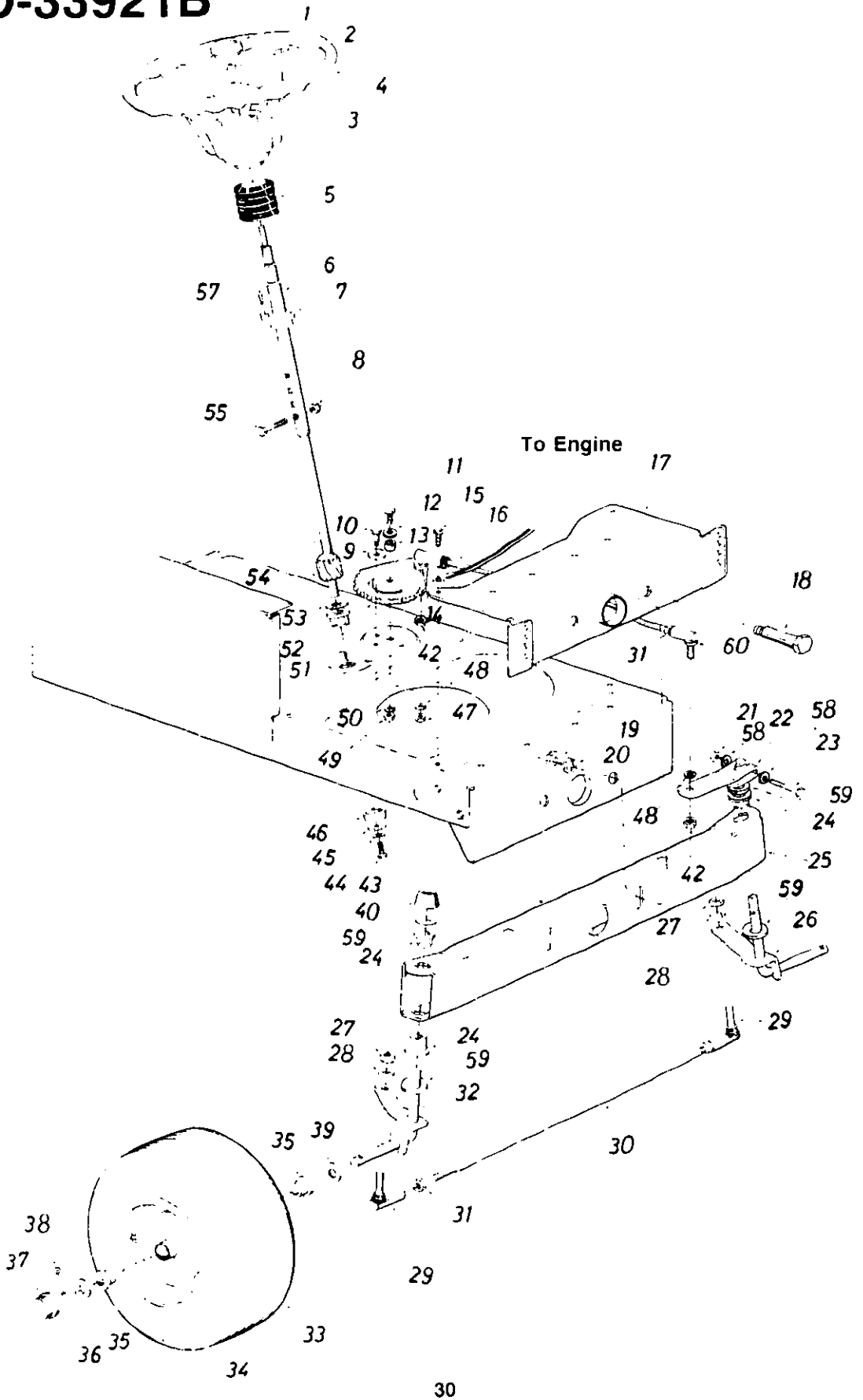
REF. NO.	PART NO.	DESCRIPTION	NEW PART	REF. NO.	PART NO.	DESCRIPTION	NEW PART
1	15808CC621	Hood		45	710-0167	Carriage Bolt 1/4-20 x .50"	
2	738-0724	Shld. Bolt 3/8 Dia. x .125 Lg.	N	47	16433	Transmission Panel	
3	736-0413	Washer .34" I.D. x .62" O.D.		48	725-0759	Reverse Safety Switch	
4	712-0798	Hex Nut 3/8-16 Thd.*		49	726-0222	Insulator Nut Plate	
5	736-0169	L-Wash. 3/8" I.D.*		50	14607	Hitch Plate	
6	712-0272	Hex Sems Nut #10-24 Thd.*		51	14603CC621	L.H. Side Frame	
7	736-0931	Fl-Wash 203" I.D. x .41" O.D. x .040		53	14605	Fuel Tank Support	
8	727-0290	Hood Stop		54	710-0255	Truss Hd. Scr. 1/4-20 x .75" Lg.*	
9	710-0473	Truss Hd Scr. #10-24 x 1/2"		55	15814	Side Cover—R.H.	
10	723-0333	Fuel Cap Gauge			15815	Side Cover—L.H. (Not Shown)	
11	751-0172	Fuel Tank		56	710-0286	Truss Mach. Scr. 1/4-20 x .50" Lg.*	
12	726-0209	Tie Strap		58	736-0921	L-Wash. 1/2" I.D.*	
13	726-0207	Hose Clamp		59	831-0823	Throttle Control Box Ass'y.	
14	751-0173	Fuel Line		60	746-0501	Throttle Control Wire	
15	725-0963	Lamp		61	710-0376	Hex Bolt 5/16-18 x 1.0"	
16	725-1058	Twist Lock—Lamp Socket		62	732-0458	Seat Spring 5.5" High	
17	731-0705	Headlight Housing		63	725-0201	Ignition Key	
18	731-0787	Headlight Bezel		64	725-0267	Ignition Switch	
19	712-0380	L-Nut 1/4-28 Thd.		65	16489	Dash Panel	
20	710-0118	Hex Bolt 5/16-18 x .75" Lg.*		66	725-0634	Light Switch	
21	16457CC621	Grille		67	725-0925	Ammeter	
22	15818	Dash Support Bracket		68	731-0511	Trim Strip—27"	
23	736-0119	L-Wash. 5/16" I.D.*		69	732-0462	Hood Spring	
24	712-0267	Hex Nut 5/16-18 Thd.*		70	757-0333	Seat Ass'y.	
25	747-0475	Battery Strap Hook		71	710-0865	Hex Bolt 1/2-13 x 1.0" Lg. (2 Req'd.)	N
26	731-0718	Battery Hold Down Strap		72	726-0139	Speed Nut #10Z	
27	725-0514	12V Battery		73	710-0749	Hex Scr. #10-24 x 1.0" Lg.	
28	15930	Lower Frame		74	738-0145	Shld. Bolt .50 Dia. x .84	
29	14619	Front Pivot Brk't.		75	15931	Tie Strap—Grille/Side Panel	
30	15821	Grille Mount Brk't.—L.H.		76	731-0511	Trim Strip—81"	
31	15822	Grille Mount Brk't.—R.H.		77	710-0642	Hex Wash. Hd. Tap Scr. 1/4 x .75" Lg.	
32	710-0726	Hex Wash. Hd. AB-Tap Scr. 5/16 x .75" Lg.		78	722-0157	Foam Strip 3/8 x 1-1/8" x 1/2" Lg. (2 Req'd.)	
33	738-0526	Running Board Rod		79	710-0227	Hex Wash. Hd. AB-Tap #8 x .50" Lg.	
34	14604	Running Board (R.H. & L.H.)		82	746-0615	Choke Control 29" Lg.	
35	761-0168	Blade Brake Ass'y.		83	710-0779	Truss Mach. AB-Tap Scr. #10 x .5" Lg.	
36	712-0287	Hex Nut 1/4-20 Thd.*		84	710-0936	Truss Hd. AB-Tap Scr. #6 x .62" Lg.	
37	736-0329	L-Wash. 1/4" I.D.*		85	725-1128	Taillight	
38	710-0323	Truss Mach. Scr. 5/16-18 x .75" Lg.*		86	731-0788	Upper Frame For Bezel	
39	731-0753	Foot Pad		87	731-0789	Lower Frame For Bezel	
40	710-0134	Carriage Bolt 1/4-20 x .62"					
41	14602CC621	R.H. Side Frame					
42	15848	Fender Mount Brace					
43	16472CC621	Rear Fender					
44	710-0351	Truss Mach Tap Scr. #10 x 50" Lg.					

*Common Hardware—May be purchased locally.
Important: **Do Not** order by reference number (Ref. No.).

NOTE: Specifications subject to change without notice or obligation.

TMO-33920B

TMO-33921B



TMO-33920B

TMO-33921B

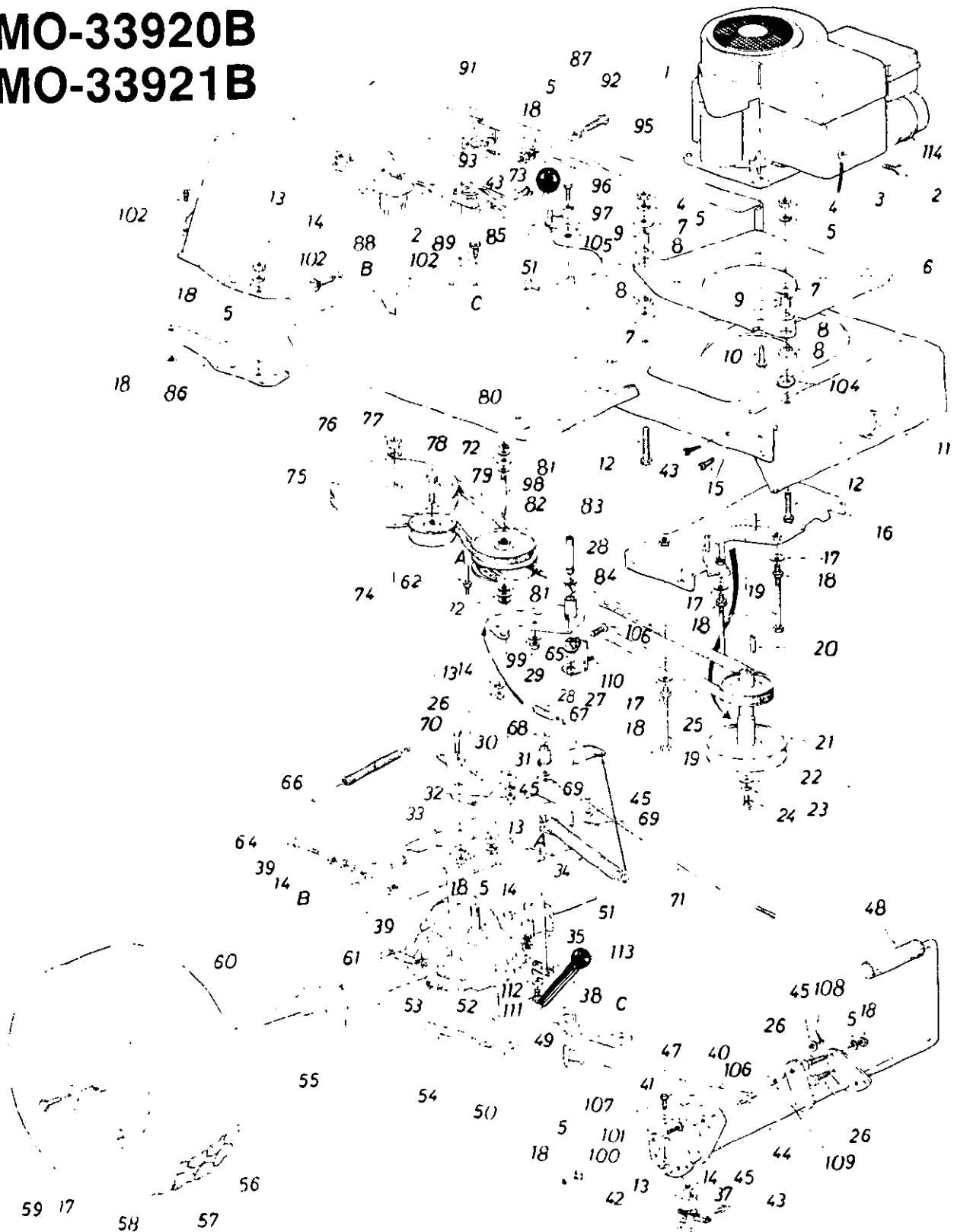
12 H.P. 38" LAWN TRACTORS PARTS LIST FOR MODELS TMO-33920B AND TMO-33921B

REF. NO.	PART NO.	DESCRIPTION	NEW PART	REF. NO.	PART NO.	DESCRIPTION	NEW PART
1	731-0220	Steering Wheel Cap		30	711-0613	Tie Rod	
2	712-0123	Hex Nut 5/16-24 Thd.		31	712-0711	Hex Jam Nut 3/8-24 Thd.*	
3	736-0242	Belleville Wash. .345" I.D.		32	14650	Front Axle Ass'y.—R.H.	
4	731-0806	Steering Wheel		33	734-0863	Wheel Ass'y. Comp.	
5	731-0559	Steering Bellow			734-0864	Tire Only	
6	16512	Steering Column Ass'y.		34	734-0997	Front Wheel Rim Only	
7	741-0356	Flange Bearing .890 I.D. x 1.36 O.D.			734-0255	Air Valve	
8	712-0324	Hex L-Nut 1/4-20 Thd.		35	737-0146	Grease Fitting	
9	736-0319	Fl-Wash. .438" I.D. x 1.37" O.D.		36	741-0487	Bearing	
10	738-0141	Shoulder Bolt .437" Dia. x .35 Lg. 5/16-18 Thd.		37	736-0285	Fl-Wash. .635 I.D. x 1.59" O.D.	
11	710-0152	Hex Bolt 3/8-24 x 1.0" Lg. (Grade 5)		38	731-0484	Front Wheel Hub Cap	
12	736-0258	Fl-Wash. .38" I.D. x 1.0" O.D.		39	714-0470	Cotter Pin 1/8" Dia. x 1.25"*	
13	750-0535	Spacer .380" I.D. x .625" O.D. x .227		40	736-0187	Fl-Wash. .640" I.D. x 1.24" O.D.	
14	736-0169	L-Wash. .38" I.D.*		42	726-0214	Push Cap 5/8" Dia. Rod	
15	710-0726	Hex Wash. Hd. Self-Tap Scr.		43	712-0241	Hex Nut 3/8-24 Thd.*	
16	711-0788	Steering Drag Link		44	710-0538	Hex L-Bolt 5/16-18 x .62"*	
17	14619	Front Pivot Brkt.		45	736-0119	L-Wash. 5/16" I.D.*	
18	738-0527	Shoulder Bolt .498" Dia. x 2.04 Lg. 3/8-16 Thd.		46	736-0231	Fl-Wash. .344" I.D. x 1.25" O.D.	
19	712-0798	Hex Nut 3/8-16 Thd.*		47	750-0532	Spacer (Plastic)	
20	736-0169	L-Wash. 3/8" I.D.*		48	712-0241	Hex Nut 3/8-24 Thd.*	
21	712-0237	Hex Cent. L-Nut 5/16-24 Thd.		49	736-0169	L-Wash. 3/8" I.D.*	
22	16481	Steering Arm Front Axle		50	712-0267	Hex Nut 5/16-18 Thd.*	
23	710-0772	Hex Bolt 5/16-24 x 2.00" Lg. (Grade 5)		51	736-0119	L-Wash. 5/16" I.D.*	
24	741-0225	Hex Flg. Brg. .634 I.D.		52	717-0622	Steering Gear Segment	
25	14608	Pivot Bar Ass'y.		53	741-0225	Hex Flg. Brg. .634 I.D.	
26	16479	Front Axle Ass'y.—L.H.		54	736-0187	Fl-Wash. (Hardened)	
27	712-0241	Hex Nut 3/8-24 Thd.*		55	738-0522	Steering Shaft Lower	
28	736-0169	L-Wash. 3/8" I.D.*		57	710-0985	Hex Bolt 1/4-20 x 1.31" Lg.	
29	723-3018	Ball Joint 3/8-24 Thd.*		58	710-0837	Oval Hd. Cr.—Sunk Scr. #10 x 5/8" Lg.	
				59	736-0271	Wave-Wash. .32" I.D. x .62" O.D.	
				60	736-0187	Fl-Wash. (Hardened)	
					723-3018	Drag Link Ball Joint 3/8-24 Thd.	

*Common Hardware—May be purchased locally.
Important: **Do not** order by reference number (Ref. No.).

Part No.	Description	Part No.	Description
788-0621	Brilliant Fire Mist Spray Paint	777-6932	Labels—Frame Side
788-0452	Black Spray Paint		(TMO-33921B)
777-5268	Steering Cap Label	777-7093	Labels—Hood Stripe
777-6534	F-N-R Shift Label		(TMO-33920B)
777-6827	Montgomery Ward Logo—Grille	777-7094	Labels—Hood Stripe
777-6891	Label—7 Speed		(TMO-33921B)
777-7002	Montgomery Ward Logo—Side of Hood	777-7100	Plastic Hood Side Stripe
777-7105	Transmatic Label		(TMO-33921B)
777-1068	Labels—Frame Side (TMO-33920B)	777-6691	Label—Dash Panel (TMO-33920B)
		777-5904	Label—Dash Panel (TMO-33921B)
		770-5940B	Operating Manual

TMO-33920B TMO-33921B



**REAR WHEEL CHART

Description	18 x 9.50 TMO-33921B	18 x 8.50 TMO-33920B
Wheel Assembly Comp	734-0817	734-0601
Tire Only	734-0448	734-0516
Rim Only	734-0603	734-0603

TMO-33920B

TMO-33921B

12 H.P. 38" LAWN TRACTORS

PARTS LIST FOR MODELS TMO-33920B AND TMO-33921B

REF. NO.	PART NO.	DESCRIPTION	NEW PART	REF. NO.	PART NO.	DESCRIPTION	NEW PART
1	12 H P	Engine—Tec. OVXL120 (TMO-33920B)		48	735-0196	Foot Pad	
	12 H.P.	Engine—B&S 281707-0137-01 (TMO-33921B)		49	15889	Brake Lever Bracket	
2	710-0258	Hex Bolt 1/4-20 x .62" Lg.		50	15888	Hill Holder Brake Handle	
3	725-0122	Electric Ground Wire		51	16430	Shift Lever Ass'y.	
4	712-0123	Hex Nut 5/16-24 Thd.*		52	710-0559	Hex Bolt 1/4-28 x 1.75" Lg.*	
5	736-0119	L-Wash. 5/16" I.D.*		53	732-0264	Ext. Spring .38" O.D. x 2.5"	
6	14791	Engine Mounting Plate		54	732-0413	Ext. Spring .59" O.D. x 7.08"	
7	736-0343	Fl-Wash. 3/20" I.D. x 1.25"		55	710-0176	Hex Bolt 5/16-18 x 2.75" *	
8	722-0153	Engine Mounting Grommet		56	..	Wheel Ass'y. Comp.	
9	750-0539	Spacer		57	..	Wheel Rim Only	
10	710-0650	Hex Wash Hd TT-Tap Scr 5/16-18 x 7/8" Lg. (TMO-33920B)		58	734-0255	Air Valve (Service Only)	
	710-0502	Hex Bolt 3/8-16 x 1.25" Lg. (TMO-33921B)		59	710-0627	Hex Bolt 5/16-24 x .75" Lg.*	
11	15930	Lower Frame Ass'y.		60	717-1050	Transaxle Complete	
12	710-0158	Hex Bolt 5/16-24 x 1.25" *		61	732-0454	Brake Return Spring Anchor	
13	712-0287	Hex Nut 1/4-20 Thd.*		62	711-0768	Belt Guard Pin 1/4-20 Thd.	
14	736-0329	L-Wash. 1/2" I.D.*		64	710-0428	Hex Bolt 1/4-28 x 1.25" Lg.*	
15	710-0781	Hex Wash Hd. AB-Tap Scr 5/16" x 75" Lg.		65	732-0568	Ext. Spring	
16	15898	Belt Guard Brkt. Ass'y		66	732-0384	Ext. Spring .62" O.D. x 6.12"	
17	736-0242	Bell-Wash. 345" I.D. x 88"		67	16554	Variable Speed Torque Brkt. Ass'y.	
18	712-0267	Hex Nut 5/16-18 Thd.*		68	741-0419	Flanged Bearing	
19	710-0830	Hex Bolt 5/16-18 x 5.25" Lg.		69	714-0507	Cotter Pin 3/32" Dia.*	
20	714-0113	Sq. Key 1/2" x 1/4" x 2.00"		70	748-0234	Shoulder Spacer .27" Lg.	
21	736-0488	Engine Pulley		71	747-0530	Speed Control Link	
22	736-0322	Fl-Wash. 7/16" I.D. x 1.25"		72	741-0405	Truss Bearing .56 Dia. x 1.25"	
23	736-0171	L-Wash. 7/16" I.D.*		73	720-0165	Knob (TMO-33920B)	
24	710-0757	Hex Bolt 7/16-20 x 1.50" Lg.			720-0210	Knob (TMO-33921B)	
25	754-0280	Variable-Speed Belt		74	756-0437	Fl-Idler Pulley 3.25" x 1.0"	
27	16553	Bearing Shaft Bracket Ass'y.		75	756-0374	1/2" "V"-Pulley 8.0" O.D. x .501" I.D.	
28	741-0295	Flanged Nyloner Bearing		76	736-0921	L-Wash. 1/2" I.D.*	
29	712-0241	Hex Nut 3/8-24 Thd.*		77	712-0922	Hex Jam Nut 1/2-20 Thd.*	
30	15891	Idler Bracket		78	710-0539	Hex Bolt 3/8-24 x .75" Lg.*	
31	736-0169	L-Wash. 3/8" I.D.*		79	754-0281	Variable Speed Belt	
32	712-0241	Hex Nut 3/8-24 Thd.*		80	716-0114	Snap Ring .56" Dia.	
33	15945	Transaxle Support Brkt.		81	736-0355	Fl-Wash	
34	732-0453	Ext. Spring 94" O.D. x 6.7		82	717-0800	Variable Speed Pulley Ass'y. 5" O.D.	
35	714-0149	Inter Cott-Pin		83	711-0766	Bearing Shaft	
37	714-0507	Cotter Pin 3/32" Dia. x .75" *		84	16354	Variable Speed Brkt. Ass'y.	
36	720-0143	Grip—Black		85	732-0525	Comp. Spring—Clip	
39	712-0138	Hex Nut 1/2-28 Thd.		86	14773	Transaxle Support Brkt.— R.H.	
40	710-0597	Hex Bolt 1/2-20 x 1.00" Lg.*			14769	Transaxle Support Brkt.— L.H. (Not Shown)	
41	732-0435	Switch Actuator		87	736-0231	Fl-Wash. .34 I.D. x 1.12 O.D.	
42	725-0577	Safety Switch		88	725-0771	Solenoid	
43	710-0599	Hex Wash Hd S-Tap Scr 1/4-20 x .50" Lg.		89	16429	Shift Lever Bracket	
44	16235	Clutch & Brake Pedal Ass'y		91	725-0459	Circuit Breaker	
45	736-0117	Fl-Wash		92	710-0959	Hex Bolt 5/16-18 x 1.50" Lg.	
47	747-0519	Brake Rod 20.9" Lg.		93	710-0351	Truss Hd. Phil. Scr. #10 x 1/2" Lg.	
				95	732-0307	Ext. Spring .99" O.D. x 11"	
				96	710-C180	Hex Bolt 3/8-24 x .75" Lg.*	

TMO-33920B

TMO-33921B

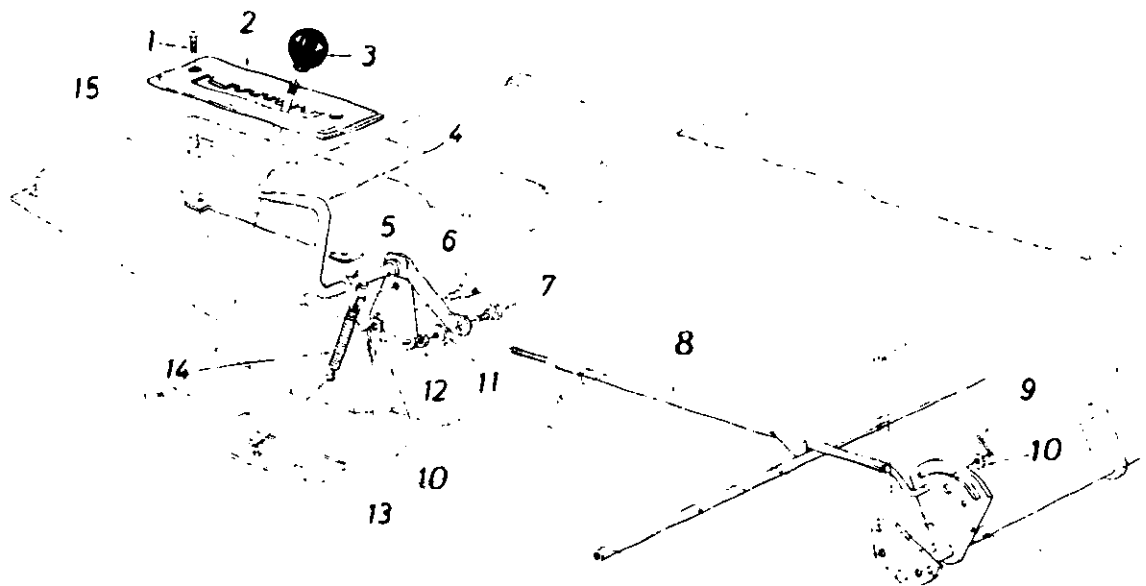
12 H.P. 38" LAWN TRACTORS

PARTS LIST FOR MODELS TMO-33920B AND TMO-33921B (CONTINUED)

REF. NO.	PART NO.	DESCRIPTION	NEW PART	REF. NO.	PART NO.	DESCRIPTION	NEW PART
97	736-0105	Bell-Wash 38" I.D. x 88"		107	15835	Pedal Bracket	
98	738-0569	Shaft .56" Dia x 3.875" Lg.		108	714-0507	Cotter Pin 3/32" Dia. x .75"	
99	736-0331	Bell-Wash .39" I.D. x 1.12"		109	711-0198	Ferrule	
100	736-0256	Fl-Wash		110	710-0971	Truss Phillips Hd. Scr 5/16-18 x 1.0" Lg.	
101	714-0111	Cotter Pin 3/32" Dia. x 1.0"		111	710-0195	Hex Bolt 1/4-28 x .50" Lg	
102	710-0604	Hex Wash. Hd. Scr 5/16-18 x .62" Lg.		112	736-0270	Bell-Wash. .265" I.D. x .75"	
104	736-0362	Fl-Wash 32" I.D. x 1.25"		113	16437	Shift Lever Link Ass'y	
105	16067	Belt Guard		114	751-0302	Muffler (TMO-33921B Only)	
106	710-0323	Truss Mach. Scr 5/16-18 x .75" Lg.		—	712-0250	Conduit L-Nut 1" (TMO-33921B Only)	

TMO-33920B

TMO-33921B



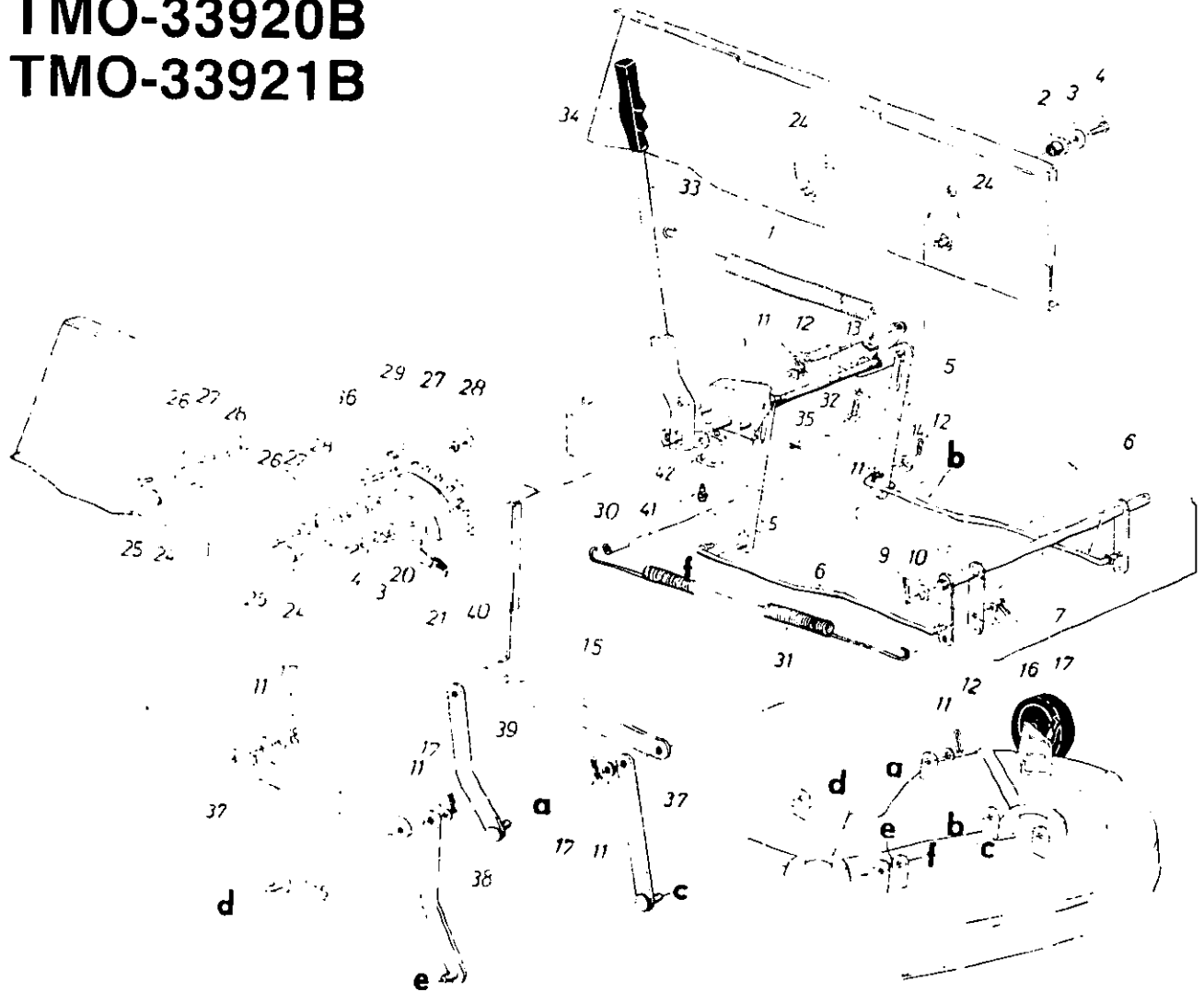
12 H.P. 38" LAWN TRACTORS

PARTS LIST FOR MODELS TMO-33920B AND TMO-33921B

REF. NO.	PART NO.	DESCRIPTION	NEW PART	REF. NO.	PART NO.	DESCRIPTION	NEW PART
1	710-0924	Truss Mach. Scr. 1/4-20 x .75" Lg.		8	16355	Speed Control Rod Ass'y	
2	16194	Speed Selector Plate		9	714-0507	Cotter Pin 3/32" Dia. x .75" Lg.	
3	720-0175	Gear Shift Knob		10	736-0226	Fl-Wash. .469" I.D. x .88" O.D.	
4	16192	Speed Selector Cam Ass'y.		11	736-0119	L-Wash. 5/16" I.D.	
5	736-0192	Flat Washer .53" I.D. x .93" O.D.		12	712-0267	Hex Nut 5/16-18 Thd.	
6	711-0198	Ferrule 3/8-24 x .37" Dia		13	714-0507	Cotter Pin 3/32" Dia. x .75" Lg.	
7	738-0155	Shoulder Bolt .435" Dia x 1.60		14	732-0303	Spring .38" O.D. x 3.18" Lg.	
				15	16194	Clamping Plate	

TMO-33920B

TMO-33921B



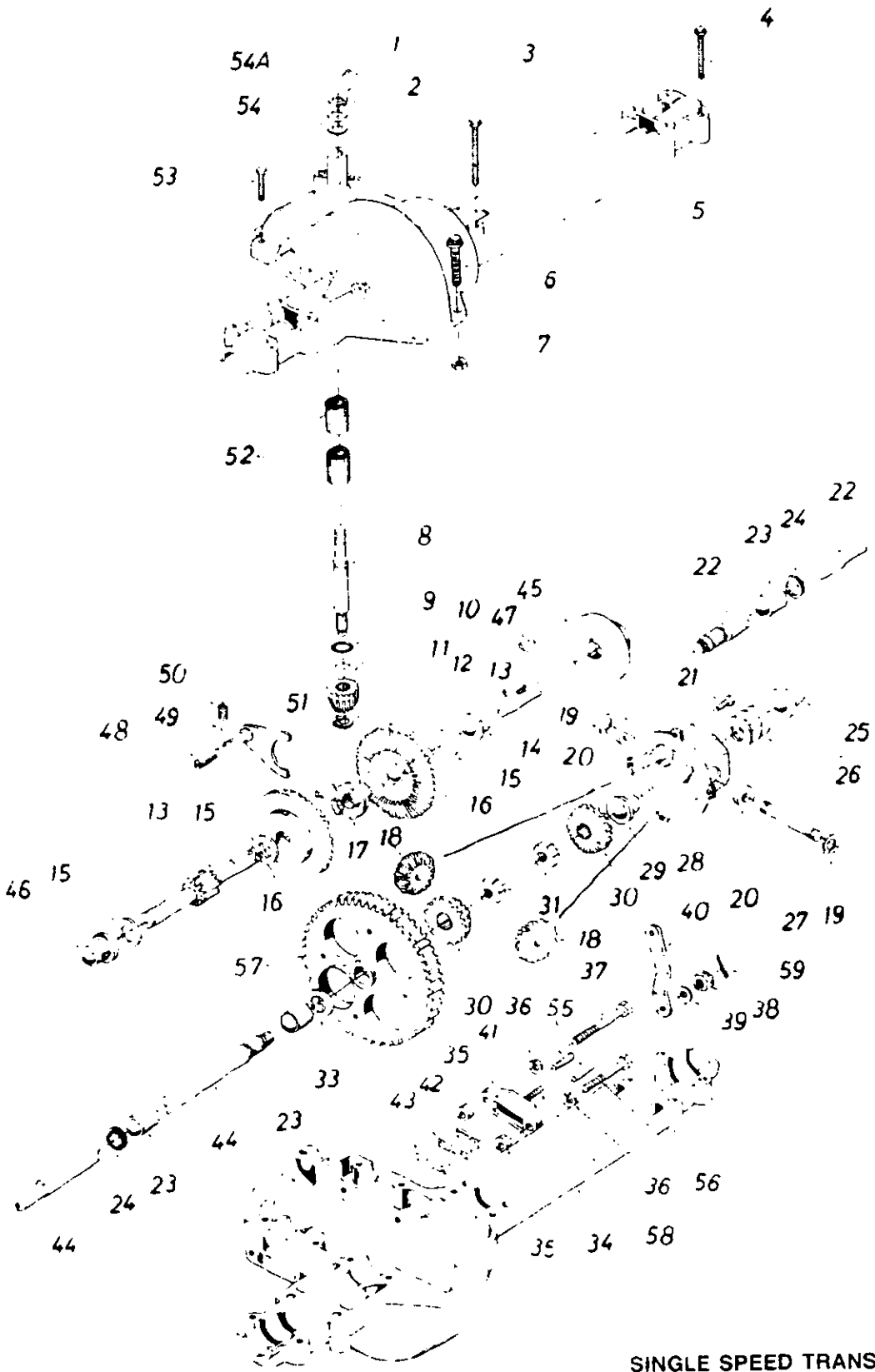
12 H.P. 38" LAWN TRACTORS

PARTS LIST FOR MODELS TMO-33920B AND TMO-33921B

REF NO	PART NO	DESCRIPTION	NEW REF. PART NO.	PART NO.	DESCRIPTION	NEW PART
1	732-0307	Extensior Spring 11" Lg	25	738-0140	Shld. Bolt .437" Dia.	
2	741-0213	Flange Bearing .634" I.D.	26	736-0264	Fl-Wash. .344" I.D. x .62"	
3	736-0237	Fl-Wash. .344" I.D. x 1.125"	27	736-0119	L-Wash. 5/16" I.D.	
4	710-0604	Hex Wash Hd 5/16-18 x .62" Lg	28	712-0267	Hex Nut 5/16-18 Thd	
5	14802	Deck Lift Assy	29	16462	Index Brkt.	
6	711-0740	Stabilizer Rod	30	711-0425	Spacer .523" I.D. x .640" O.D. x 1.95" Lg.	
7	16234	Stabilize Shaft Assy	31	732-0530	Ext. Spring 13.25" Lg	
8	710-0602	Hex Tap Scr #10 x 50	32	732-0498	Ext. Spring 32 Coils	
9	714-0177	Cotter Pin #8 Dia x 1.125"	33	16465	Lift Handle Assy	
10	736-0139	Fl-Wash. .635" I.D. x 1.12"	34	720-C157	Grip (Lift Handle)	
11	706-0111	Fl-Wash. .635" I.D. x .640"	35	714-C145	Intern Cotter Pin 1/2" Dia	
12	714-0111	Hex Cotter Pin	36	710-C118	Hex Bolt 5/16-18 x .75"	
13	715-1	Hex Char Assy	37	14804	Deck Deck Hanger Assy	
14	710-0901	Hex Bolt 5/16-18 x .75"	38	14803	Deck Deck Hanger Assy (Dog Leg)	
15	09738	Hex Bolt 5/16-18 x .75"	39	16925	Deck Deck Hanger Assy - LH	
16	706-0500	Fl-Wash. .635" I.D. x .62"	40	08540	Knob	
17	714-0104	Intern Cotter Pin #8 Dia	41	710-C351	Hex AB-Tap Scr #10 x 50	
18	748-C176	Flange Brg .630" I.D.	42	725-C803	Safety Switch	
19	713-0411	Deck Lift Down Stop				
20	09721	Deck Lift Assy				

TMO-33920B

TMO-33921B



SINGLE SPEED TRANSAXLE—R.H.
MODEL 717-1050

TMO-33920B

TMO-33921B

PARTS LIST FOR SINGLE SPEED TRANSAXLE RIGHT HAND 717-1050

REF. NO.	PART NO.	DESCRIPTION	NEW PART	REF. NO.	PART NO.	DESCRIPTION	NEW PART
1	714-0129	#4 Hi-Pro Key 3/32 x 5/8" Dia.		33	736-0351	Fl-Wash. .75" I.D. x 1.5" O.D.	
2	716-0115	Snap Ring 625" Shaft		34	717-0761	Lower Housing	
3	710-0854	Hex Bolt 1/4-20 x 1.75" Lg.		35	750-0555	Spacer 53" O.D. x 3/8" Lg.	
4	710-0809	Hex Bolt 1/4-20 x 1.25" Lg.		36	736-0329	L-Wash. 1/4" I.D.	
5	717-0764	Upper Housing		37	710-0886	Hex Bolt 1/4-20 x 1.50" Lg. (Grade 5)	
6	710-0642	Hex Fl-Bolt 1/4-20 x .75" Lg.		38	712-0335	Castle Nut 5/16-24 Thd.	
7	712-0287	Hex Nut 1/4-20 Thd.		39	736-0371	Fl-Wash. .34" I.D. x .875" O.D.	
8	717-0634	Input Shaft				Actuating Arm—R.H.	
9	721-0176	Square Seal 5/8" I.D.		40	717-0700	Brake Yoke	
10	736-0335	Thrust Washer 5/8" I.D. x 1.25" O.D.		41	717-0679	Puck Plate	
11	717-0633	Pinion Input 14T		42	717-0682	Brake Puck	
12	716-0108	Retaining Ring 7/16" Ext		43	717-0678	Axle L.H.	
13	717-0758	Drive Shaft—R.H.		44	717-011	Brake Disc	
14	741-0336	Flange Brg 5/8" I.D. x 3/4" Lg.		45	717-0677	Flange Bearing 5/8" I.D. x 15/16" Lg.	
15	..	Fl Wash (See Below)		46	741-0337	Woodruff Key 3/16 x 5/8 HT	
16	717-0757	Bevel Gear 42T		47	714-0161	Shift Fork Ass'y.	
17	717-0667	Clutch Collar		48	717-0754	Ball Detent .250" Dia.	
18	717-1020	Miter Gear 15T		49	741-0862	Spring Detent	
19	716-0142	Snap Ring		50	732-0863	#9 Hi-Pro Key 3/16" x 3/4" Dia. HT	
20	717-0690	Thrust Bearing 1/2" I.D. x 1.0" O.D.		51	714-0169	Needle Brg. 5/8" I.D. x 1/2" Lg.	
21	710-0862	Par Head Scr. 1/4-20 x .50" Lg w/Patch		52	741-0335	Hex Bolt 1/4-20 x 1.00" Lg.	
22	717-1012	Axle R.H.		53	710-0855	Fl-Wash. 5/8" I.D. x .030	
23	741-0340	Sleeve Bearing 3/4" I.D. x 1.0" Lg.		54	736-0336	Fl-Wash. 5/8" I.D. x .040	
24	721-0179	Oil Seal 1/2" I.D.		54A	736-0337	Fl-Wash. 5/8" I.D. x .020	
25	741-0339	Flange Bearing 3/4" I.D. x 15/16" Lg.		54B	736-0349	Actuating Pin 5/16" Dia.	
26	736-0138	Fl-Wash 750" I.D. x 1.49" O.D.		55	741-0343	Hex Bolt 1/4-20 x 1.50" Lg. (Grade 5)	
27	717-0673	Cross Shaft		56	710-0886	Differential Gear 72T Ass'y. w/Bearing	
28	717-0777	Differential Housing Ass'y.		57	717-1059	Sq. Hd. Bolt 5/16-24 Thd.	
29	---	Comes with Ref. 28		58	717-0796	Cotter Pin 3/32" Dia. x .50" Lg.	
30	717-1019	Miter Gear		59	1544-013	Grease—Shell (10 oz.)	
31	712-0200	Hex Ins. L-Nut 1/4-20 Thd.		---	737-0148		

Ref. No. 736-0349 Fl-Wash 5/8" I.D. x 1.0" O.D x .020 Thk.
 736-0336 Fl-Wash. 5/8" I.D. x 1.0" O.D x .030 Thk.
 736-0337 Fl-Wash. 5/8" I.D. x 1.0" O.D x .040 Thk.

At the time of manufacture of lawn tractor, the optional accessories listed below are available.

Description	Stock No.
36" Snow Thrower	89-33848R
42" Snow Blade	89-33879R
Grass Catcher	89-35106R
38" Lawn Sweeper	89-37952R
30 Lb Wheel Weights	89-33862R
Gang Reel	89-27R

TMO-33920B

TMO-33921B

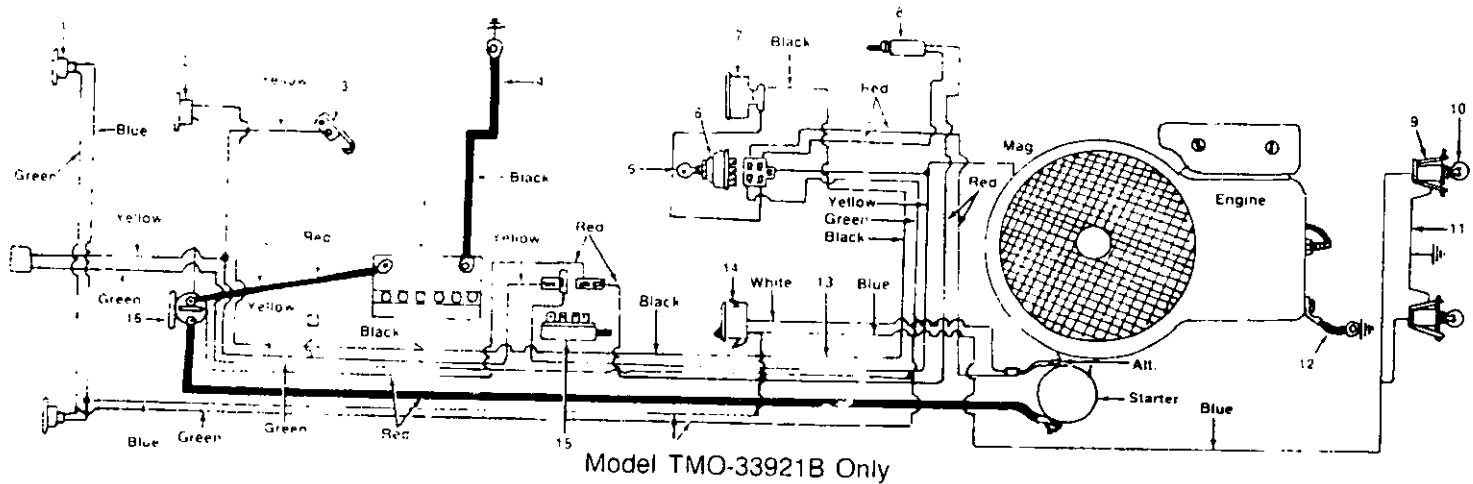


12 H.P. 38" LAWN TRACTORS

PARTS LIST FOR MODELS TMO-33920B AND TMO-33921B

REF. NO.	PART NO.	DESCRIPTION	NEW PART NO.	REF. NO.	PART NO.	DESCRIPTION	NEW PART NO.
1	16521	Chute Bracket	21	736-0329	L-Wash. 1/4" I.D.		
2	16566	Chute Deflector	22	738-0373	Shld. Bolt .498" Dia. x 1.53"		
3	16575	38" Deep Deck Ass'y	23	742-0472	High-Lift Blade (L.H.)		
	801-6576	38" Deep Deck Ass'y Comp. (For Service Only)	25	748-0300	Blade Adapter		
4	16607	Belt Guard Deck—L.H.	26	754-0329	5L V-Belt		
5	16608	Belt Guard Deck—R.H.	27	08253	Bearing Housing 1.85" I.D.		
6	710-0152	Hex Bolt 3/8-24 x 1.00"	28	09322	Brake Disc		
7	710-0195	Hex Bolt 1/4-28 x .62"	29	13703	Bearing Shield		
8	710-0255	Truss Mach. Scr. 1/4-20 x .75"	30	15296	Open Brg. Housing 1.85" I.D.		
9	710-0888	Hex Scr. Special 5/16-24 x 1.0"	31	16603	Spindle Meeting Plate		
10	711-0790	Hinge Pin	32	710-0137	Hex Bolt 5/16-24 x .75"		
11	712-0123	Hex Nut 5/8-18 Thd	33	710-0888	Hex Bolt Special 5/16-24 x 1.0"		
12	712-0138	Hex Nut 1/2-28 Thd	34	742-0473	High-Lift Blade (R.H.)		
13	712-0181	Hex Top L Nut 3/8-16 Thd.	35	712-0318	Hex Jam Nut 5/8-18 Thd		
14	712-0296	Hex Jam Nut 1/4-20 Thd	37	736-0158	L-Wash. 5/8" I.D.		
16	732-0542	Torsion Spring	38	736-0242	Belt-Wash. 3/45" I.D. x .88" O.D.		
17	734-0970	Deck Wheel 1.5"	39	738-0707	Blade Spindle		
18	736-0101	Belt-Wash. 10" I.D. x .88" O.D.	40	741-0919	Belt Brg. 1.78" I.D. x 1.35" O.D.		
19	736-0111	Assy 5/8" I.D.	41	750-0456	Spacer 1.0" O.D. x .790" I.D. x .350"		
20	736-0211	L-Wash. 3/4" I.D. x .88" O.D.	42	756-0436	5" Dia. Pulley		

TMO-33920B TMO-33921B



PARTS LIST FOR ELECTRICAL SYSTEM

REF. NO.	PART NO.	DESCRIPTION	NEW PART	REF. NO.	PART NO.	DESCRIPTION	NEW PART
1	725-1128	Taillight (TMO-33921B Only)		11	725-0916	Grounding Wire	
2	725-0459	Circuit Breaker		12	725-0976	Ground Wire 7.25" Lg.	
3	725-0759	Spring Switch		13	725-1188	Wire Harness (TMO-33921B)	
4	725-0975	Ground Wire 9.0" Lg.			725-1187	Wire Harness (TMO-33920B)	
5	725-0201	Ignition Key		14	725-0634	Light Switch	
6	725-0267	Ignition Switch		15	725-0803	Safety Switch	
7	725-0925	Ammeter		16	725-0771	Solenoid	
8	725-0577	Safety Switch		17	725-0926	Elec. Wire w/Bolt	
9	725-1058	Socket—Headlight		18	725-0514	12-V Battery	
10	725-0963	Lamp—Headlight					

SERVICE NATIONWIDE

Montgomery Ward

**HOW TO OBTAIN
REPLACEMENT PARTS AND SERVICE**

The merchandise you have purchased from us has been carefully engineered and manufactured under Montgomery Ward's rigid quality standards and should give you satisfactory and dependable operation. However, like all mechanical merchandise, it may occasionally require adjustment, replacement parts or maintenance.

Toll Free Parts Sales Center

When you need a replacement part or accessory for a major appliance, home electronic item or lawn and garden product that is not under warranty or covered by a service contract or if you need the location of the nearest service facility, call our Parts Sales Center toll free 1-800-323-1965.

Provide the following:

1. Model, serial number and all of the other data shown on the model plate.
2. Also give the part number or numbers as shown in the parts list that came with the product.

Replacement Parts will be made available at current prices. If requested, prices will be quoted in advance when not listed.

If you order parts by mail, you will pay the transportation charges from the shipping point.

JNIT MODEL NO. _____

JNIT SERIAL NO. _____

ENGINE MODEL NO. _____

TYPE NO. _____

CODE NO. _____