

# ZXT Roll Over Protective Structure Assembly Instructions



ZXT54 Pro & ZXT72 Pro Zero Turn Mowers

Manual No. 357-274M

## Before You Start



When you see this symbol, the subsequent instructions and warnings are serious - follow without exception. Your life and the lives of others depend on it!

**IMPORTANT:** Before you begin, read these instructions and check to be sure all parts and tools are accounted for. Please retain these installation instructions for future reference and parts ordering information.

Your Roll Over Protective Structure is exclusively designed for your Land Pride ZXT mower. Please read these installation instructions and your ZXT mower Operator's Manual thoroughly before beginning. Especially read information relating to safety concerns. Also included in the Operator's Manual is important information on operation, adjustment, troubleshooting, and maintenance for this attachment (some manual sections do not apply to all accessories).

A separate Parts Manual for the Zero Turn Mower is available free of charge at [www.landpride.com](http://www.landpride.com) or can be purchased from your nearest Land Pride dealer. Have the model and serial number of your Zero Turn Mower handy when placing an order.

### Manual Part Numbers:

- Operator's Manual . . . . . 357-271M
- Parts Manual . . . . . 357-271P

## General Information

These assembly instructions apply to the following Accessory kits listed below:

**357-273A Folding ROPS W/Seat Belt, ZXT Series**

### Tools required:

- Safety Glasses
- Work Gloves
- Two 11/16" box end or open end wrenches
- Two 3/4" box end or open end wrenches

## Assembly Instructions



### WARNING

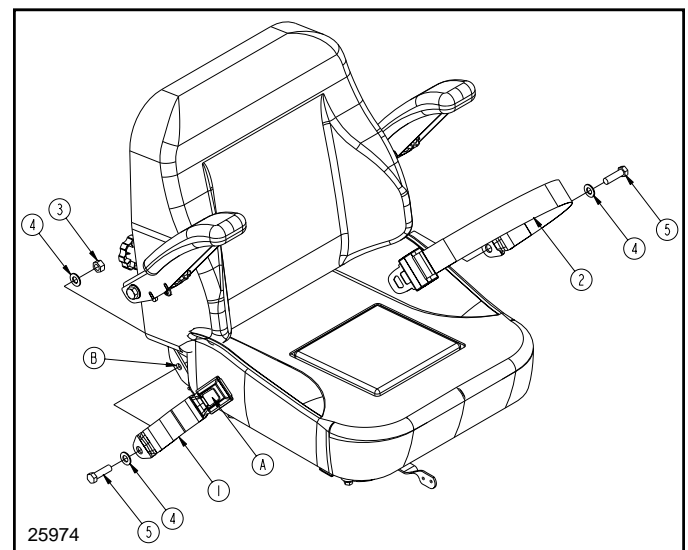
Do not modify the Roll Over Protective Structure in any way. This Roll Over Protective Structure has been designed specifically for this machine and any modifications can affect its performance in the event of a roll over.

**IMPORTANT:** Your ZXT mower seat must have seat belt mounting holes in the back rest side plates. See Figure 1, balloon (B). If it does not, you will need to replace your seat with one that does.

A detailed listing of parts for this accessory kit is provided on page 2. Use the list as a checklist to inventory parts received. Please contact your local Land Pride dealer for any missing hardware.

### Initial Preparations

1. Park unit on a flat level surface. Make sure blade engagement switch is **(OFF)**, both control levers are fully **(OUT)**, park brake is **(ON)** and switch key is turned **(OFF)** and removed.



**Seat Belt Assembly (Deluxe Seat Shown)  
Suspension Seat Also Includes Seat Belt Mounts (B)**

**Figure 1**

### Seat Belt Assembly

Refer to Figure 1

1. Position seat belt (#1) with push button (A) on the right hand side so that the button is facing up when folded over onto the seat.
2. Insert 7/16"-20 x 1 1/2" bolt (#5) through 7/16" flat washer (#4), seat belt (#1) and hole in mounting bracket (B).
3. Secure seat belt with 7/16" flat washer (#4) and 7/16" hex nylock nut (#3). Do not tighten nut.
4. Rotate seat belt to the approximate angle shown and tighten nylock nut to 36 ft-lbs. of torque.
5. Repeat steps 1 through 4 on the left hand side for the buckle end of the seat belt (#2).

**Further Assistance**

**Folding ROPS Bar Assembly**

Refer to Figure 2:

1. Insert Roll Over Protective bar (#5) into mounting brackets (A & B). Mounting brackets (A & B) are located on either side of the mower frame directly behind the hydraulic oil expansion tanks.
1. Insert 1/2"-13 x 3 1/4" GR5 hex head cap screws (#3) through mounting brackets and ROPS (#5) mounting holes as shown.
2. Secure ROPS bar with 1/2" lock nuts (#4). Tighten lock nuts to 76 ft-lbs.
3. Rotate ROPS loop end (#6) up and insert locking pins (#2). Secure locking pins with hair pin clips attached to locking pins.
4. Hand tighten locking knobs (#1).

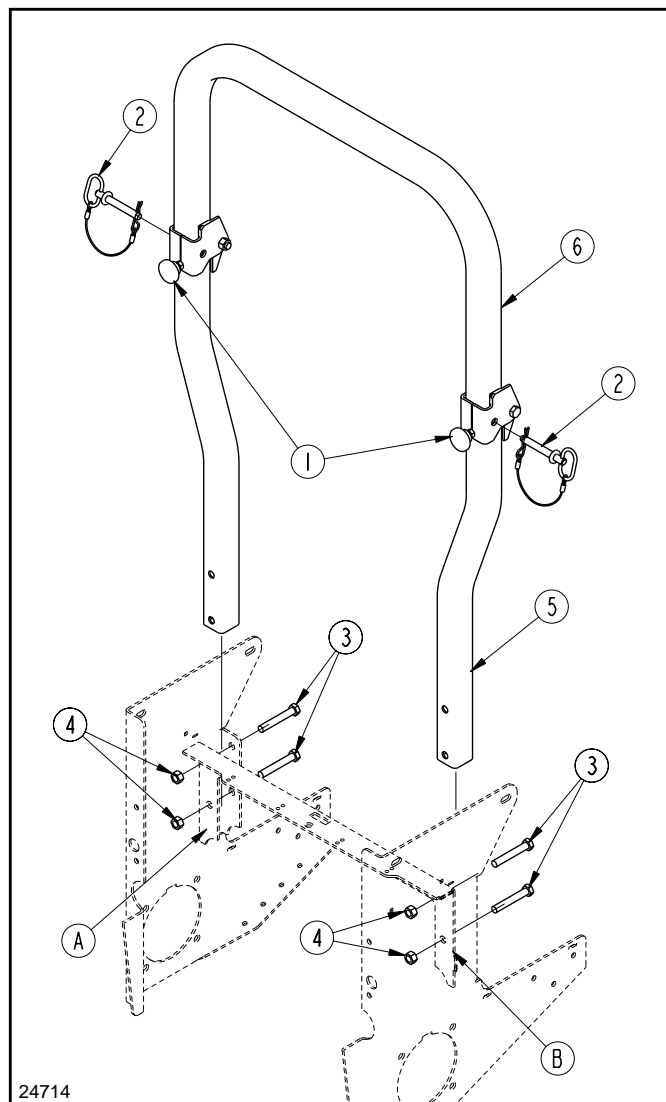
**Further Assistance**

Your dealer wants you to be satisfied with your new Roll Over Protective Structure. If for any reason you do not understand any part of this manual or are not satisfied with the service received, the following actions are suggested:

1. Discuss the matter with your dealership service manager. Make sure he is aware of your problems and has had the opportunity to assist you.
2. If you are still not satisfied, seek out the owner or general manager of the dealership, explain the problem and request assistance.
3. For further assistance write to:

**Land Pride Service Department**  
**1525 East North Street**  
 P.O. Box 5060  
 Salina, Ks. 67402-5060

E-mail address  
 lpservicedept@landpride.com



**Folding ROPS Bar Assembly**  
**Figure 2**

**Kit No. 357-273A**

**Folding ROPS W/Seat Belt, ZXT Pro Series**

Qty.	Part No.	Part Description
4	802-099C	HHCS 1/2-13 X 3 1/4 GR5 ..... Item 3 in Figure 2
4	803-019C	NUT LOCK 1/2-13 PLT ..... Item 4 in Figure 2
1	823-287C	ZXT FOLDING ROPS ..... Items 1, 2, 5 & 6 in Figure 2
1	840-073C	SEAT BELT ..... Items 1 to 5 in Figure 1
1	357-274M	INSTRUCTION, ZXT ROPS INSTALLATION



Corporate Office: P.O. Box 5060  
 Salina, Kansas 67402-5060 USA  
 www.landpride.com