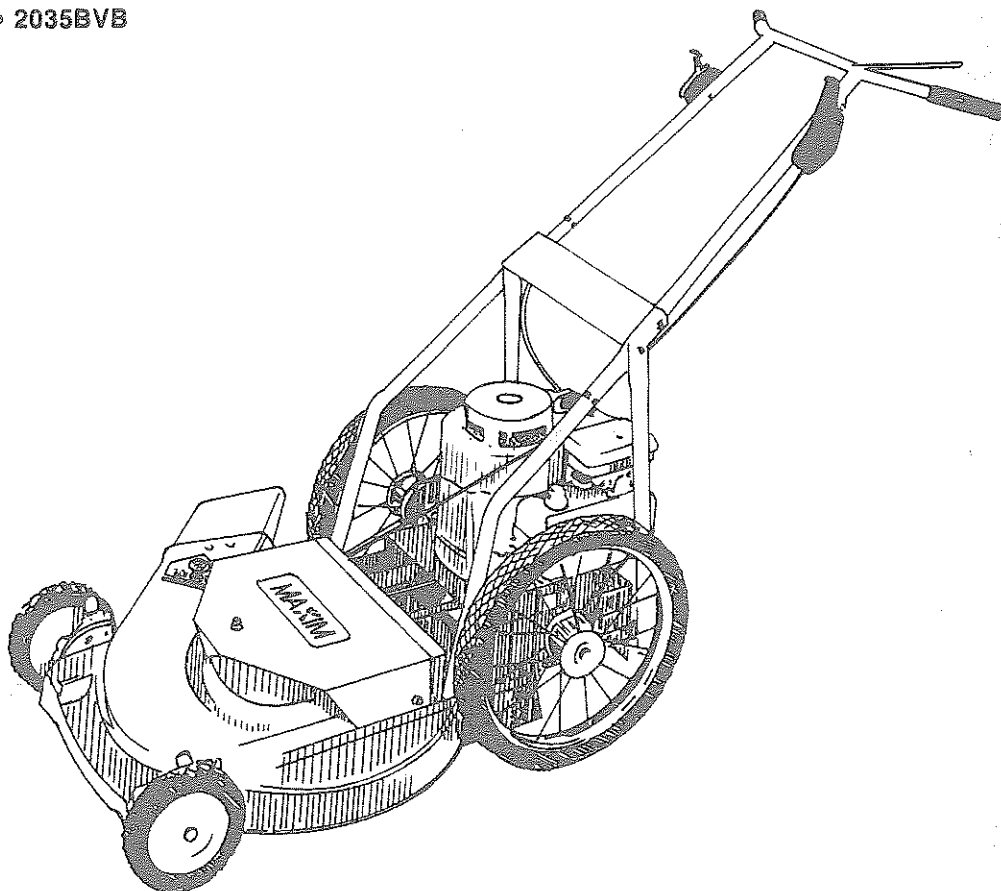


**SAFETY INSTRUCTIONS..OPERATOR'S MANUAL..**

**PARTS LIST..**

# **MAXIM HEAVY DUTY BELT DRIVE LAWNMOWER**

Models 2250BVB • 2035BVB



**WARNING**

IF INCORRECTLY USED THIS MACHINE CAN CAUSE SEVERE INJURY. THOSE WHO USE AND MAINTAIN THE MACHINE SHOULD BE TRAINED IN ITS PROPER USE, WARNED OF ITS DANGERS, AND SHOULD READ THE ENTIRE MANUAL BEFORE ATTEMPTING TO SET UP, OPERATE, ADJUST OR SERVICE THE MACHINE.

**MAXIM**

**MAXIM MANUFACTURING CORPORATION**

Sebastopol, MS 39359 Phone 601-625-7471

## SAFE PRACTICES FOR PUSH MOWERS

1. READ THE OPERATOR'S MANUAL THOROUGHLY BEFORE ATTEMPTING TO USE MOWER.
2. Know the controls and how to stop quickly.
3. NEVER allow children to operate push mower or adults to operate it without without proper instruction.
4. Do not carry passengers. Keep children and pets a safe distance away.
5. Disengage all clutches and shift into neutral before attempting to start the engine.
6. Always stop the engine before leaving operator's position.
7. Stop the engine before making any repairs or adjustments.
8. WEAR GLOVES FOR CLEANING OR ANY MAINTENANCE ON BLADES.
9. WRAP THE BLADE WITH NEWSPAPER OR OTHER MATERIALS FOR MAINTENANCE.
10. Stop the blade when transporting.
11. Stay alert for holes in the terrain and other hidden hazards that could cause upsets.
12. Watch out for traffic when crossing or near roadways.
13. NEVER direct discharge of material towards bystanders or allow anyone near the mower while in operation.
15. HANDLE GASOLINE WITH CARE- it is highly flammable. USE APPROVED GASOLINE CONTAINER. NEVER REMOVE THE CAP OF THE FUEL TANK OR ADD GASOLINE TO A RUNNING OR HOT ENGINE, OR FILL THE FUEL TANK INDOORS. WIPE UP SPILLED GASOLINE.
16. Open doors if the engine is run in the garage. Exhaust fumes are dangerous. DO NOT RUN THE ENGINE INDOORS.
17. Keep the mower and attachments in good operating condition and keep safety devices in place.
18. Keep all nuts, bolts and screws tight to be sure the equipment is in safe working condition.
19. NEVER STORE MOWER WITH GASOLINE IN THE TANK INSIDE A BUILDING WHERE FUMES MAY REACH AN OPEN FLAME OR SPARK. ALLOW THE ENGINE TO COOL BEFORE STORING IT IN ANY ENCLOSURE.
20. Keep engine free of grass, leaves or excessive grease.
21. After striking a foreign object, STOP THE MOWER AND INSPECT FOR DAMAGE. Damage should be repaired before restarting and operating the equipment.
22. Do not change the engine governor settings or overspeed the engine.
23. Mow only in daylight or in good artificial light.
24. Shut off motor while removing grasscatcher or unclogging chute.
25. Check the blade mounting bolts for proper tightness at frequent intervals.
26. KNOW WHAT IS BEHIND YOU BEFORE BACKING UP.
27. Do not use the machine on public roads unless it is equipped with per ASAE S279 and SAE J127 lighting and marking standard.
28. It is recommended that your machine be thoroughly inspected once a year by a competent serviceman.
29. If it is necessary to adjust the carburator with the engine running, take extra care not to allow rings, wristwatches, clothing, etc. to become entangled with moving parts.
30. Always store gasoline in locked storage safely away from children.
31. If machine is to be stored for a long time, drain the gasoline tank.

## HOW TO ORDER REPAIR PARTS

### TO ELIMINATE ERROR AND SPEED DELIVERY

1. Write your name and address on your order plainly or type.
2. Specify WHERE to ship and HOW shipment is to be made.
3. Give product NUMBER, NAME, and SERIAL NUMBER.
4. Order by QUANTITY DESIRED, the PART NUMBER, and DESCRIPTION OF PART.
5. Address order to MAXIM MFG. CORP., DRAWER A, SEBASTOPOL, MS 39359.
6. INSPECT ALL SHIPMENTS ON RECEIPT. If any parts are damaged or missing, file a claim with the carrier before accepting.
7. ALWAYS INCLUDE A LETTER OF EXPLANATION WITH ANY RETURNED MATERIALS.  
List all returned parts. Include your name and address with the shipment.  
TRANSPORTATION CHARGES MUST BE PREPAID.

**Minimum parts order \$5.00**

A current parts price quotation is available upon  
request from Maxim Mfg. Corp.

### SET UP INSTRUCTIONS

The 225BVB and 2035BVB are shipped fully assembled except HANDLE BAR ASSEMBLY.

IMPORTANT: READ MANUAL BEFORE ATTEMPTING TO SET UP OR OPERATE MOWER!

### TO ASSEMBLE HANDLE BAR ASSEMBLY

To assemble HANDLE BAR ASSEMBLY See Figure 1 to see how it fits together. Install LOWER HANDLES (REF.38) onto front of REAR WHEEL FRAME (REF.2) using (2) bolts (REF. 41) and (2) nuts (REF. 27) and tighten. Insert HANDLE ASSEMBLY (REF. 22) and CROSS BRACE (REF. 23) and the R.H. HANDLE BRACE (REF. 9) using (3) bolts (2) bolts (REF. 42) and (1) (REF. 26) and tighten with (3) nuts (REF. 27). Last insert the L.H. HANDLE BRACE (REF. 9) and fasten onto REAR WHEEL FRAME (REF. 2) with (2) bolts (REF. 41) and nuts (REF.27).

### INSTALLATION OF THROTTLE CONTROL

1. Place the THROTTLE CONTROL (REF. 7) at the upper R.H. side of HANDLE ASSEMBLY (REF.22) at hole provided using (1) bolt (REF.63) and (1)nut (REF. 12), tighten.
2. Secure THROTTLE CONTROL wire with CLIP (REF.10) provided at lower R.H. side of HANDLE ASSEMBLY (REF. 22).

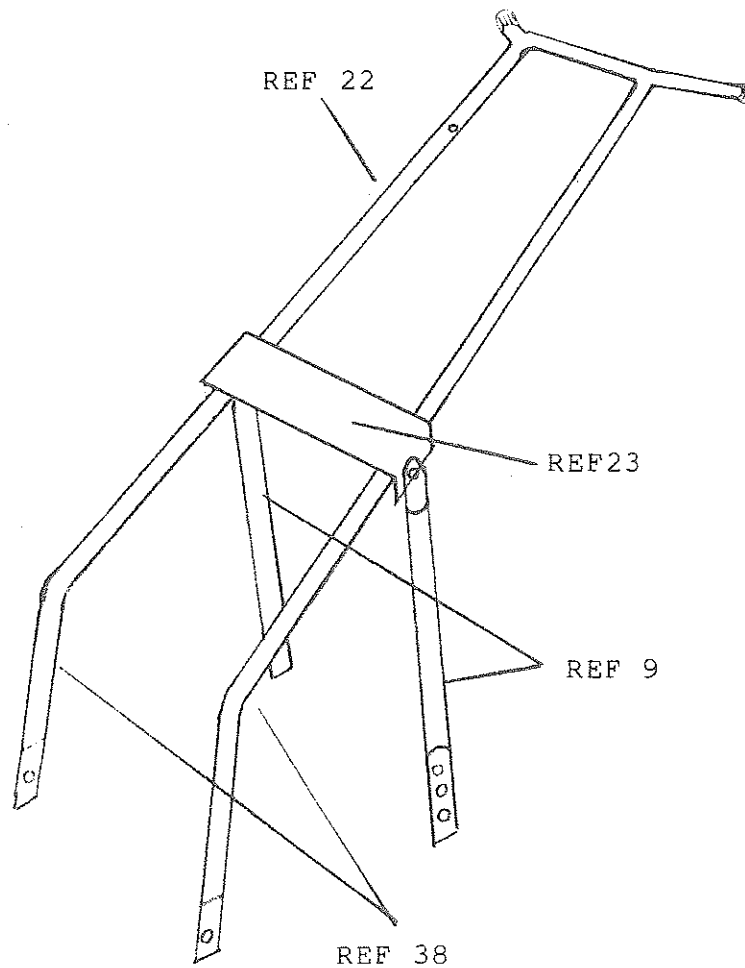


FIGURE. 1

INSTALLATION OF RESET CONTROL (CAPRO)

1. Place RESET CONTROL (REF. 56) on L.H. side of HANDLE ASSEMBLY (REF. 22) lined up with the (2) holes opposite of THROTTLE CONTROL using (2) screws (REF. 59), (2) lockwashers (REF. 61) and (2) nuts (REF.60) and tighten.
2. Secure RESET CONTROL wire with CLIP (REF. 10) provided at LOWER HANDLE (REF. 38).

INSTALLATION OF CHUTE DEFLECTOR

Installation is the same for both 22" and 20" DEFLECTOR.

Get DEFLECTOR (REF. 25) out of wrapping. Get out of plastic bag (2) bolts (REF.11); (2) lockwashers (REF.29); (2) hex. nuts. (REF. 12). Line DEFLECTOR with the (2) holes at the R.H. side of the BLADE CUTTER HOUSING (REF.3) and run bolts through holes and fasten on with the lockwashers and hex. nuts.

## OPERATION OF MOWER

### BEFORE STARTING THE ENGINE

Remove the oil-fill cap and fill the crankcase with oil. Use a high-quality detergent oil classified " For service SC,SD,SE OR MS. In temperatures above 40 degrees F. (4.4 degrees C) use SAE 30. If not available, use SAE 10 W-40.

Fill the fuel tank. Use clean, fresh, lead-free or regular grade automotive gasoline. Fill the tank completely. DO NOT MIX OIL WITH GASOLINE.

### TO START THE ENGINE

1. Check the fuel supply and oil level.
2. Move throttle to start.
3. Grasp starter cord handle and pull slowly but firmly. When engine starts, move throttle lever to slow position. Partial choking may be necessary until engine warms up.

### TO STOP ENGINE

Move throttle control lever to stop.

## MAINTENANCE

### BLADE

NOTE: WEAR GLOVES FOR CLEANING OR ANY MAINTENANCE ON BLADES  
WRAP THE BLADE WITH NEWSPAPER OR OTHER MATERIALS FOR MAINTENANCE.

BEFORE ATTEMPTING TO REMOVE BLADE, ALWAYS DISCONNECT SPARK PLUG WIRE TO PREVENT ACCIDENTAL STARTING.

Blade should be replaced if it becomes bent or chipped. If blade becomes dull, it should be sharpened or replaced.

Blade retaining bolt should be tight. Bolt must be tightened to 70-80 foot pounds torque.

Check blade clearance from BLADE CUTTER HOUSING. Blade clearance between bottom edge of blade tips and lower edge of BLADE CUTTER HOUSING must be 1/8" to 1/4".

### BELT

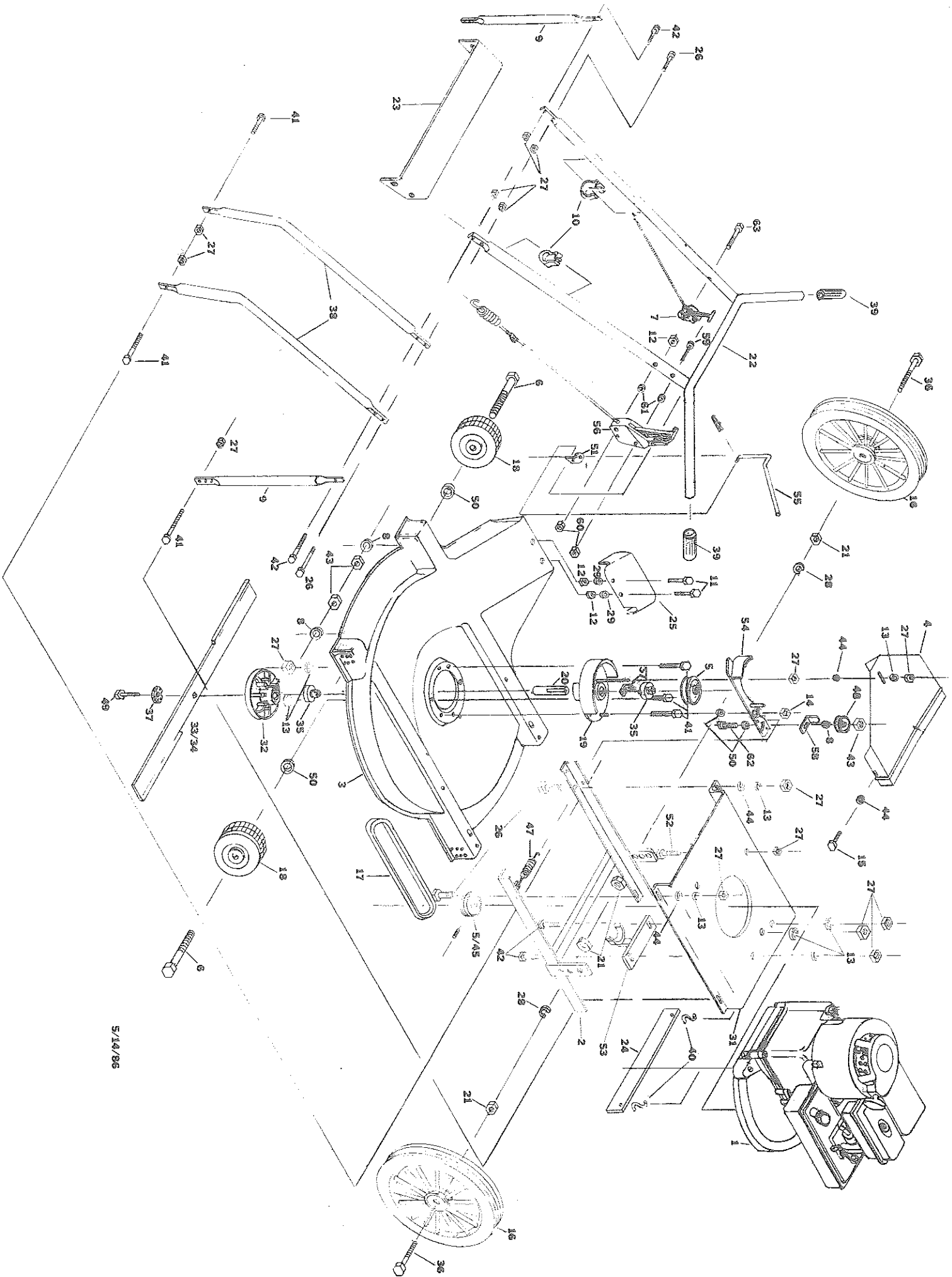
#### NEVER ATTEMPT TO CHECK BELT WHILE ENGINE IS RUNNING

BEFORE ATTEMPTING TO CHECK BELT ALWAYS DISCONNECT SPARK PLUG WIRE AND GROUND AGAINST ENGINE TO PREVENT ACCIDENTAL STARTING.

To remove belt remove (2) SOCKET HEAD screws on BELT COVER (REF.4) and remove the nut (REF.27) and the lockwasher (REF.13) and remove BELT COVER Loosen engine bolts to loosen belt. Remove SPRING (REF.47) to loosen BRAKE ASSEMBLY to remove belt.

PARTS LIST

REF	PART NO.	QUANTITY	DESCRIPTION
1	132102 /132105	1	3.5/5 H.P. ENGINE
2	130729	1	REAR WHEEL FRAME
3	145115/145116	1	20"/22" BLADE CUTTER HOUSING
4	162042	1	BELT COVER
5	336668	3 (1-20"; 2-22")	BLADE HUB AND ENGINE PULLEY
6	359330	2	1/2" SHOULDER BOLT
7	162020	1	THROTTLE CONTROL
8	446142	5	3/8" LOCKWASHER
9	130606	2	L.H. AND R.H. HANDLE BRACE
10	359322	2	CLIP, RESET & THROTTLE CONTROL
11	400111	2	1/4"x1/2" BOLT
12	443101	4	1/4" HEX. NUT.
13	446136	24	5/16" LOCKWASHER
14	443109	1	3/8" LOCKNUT
15	400178	2	SOCKET HEAD SCREWS
16	130713	2	16" WHEEL W/TIRE
17	272205/272206	1	40"-BELT 20"; <del>41"-BELT-22" MOWER</del>
18	130709	2	7" WHEEL ASSEMBLY
19	145118	1	HUB HOUSING
20	131105	1	HUB SHAFT
21	443116	4	1/2"N.C. HEAVY DUTY NUT
22	130610	1	HANDLE ASSEMBLY
23	130607	1	CROSS BRACE
24	146124	1	DRAG SHIELD
25	146121/146122	1	CHUTE DEFLECTOR 20"/22"
26	400187	6	5/16" x 1" BOLT
27	443106	23	5/16" HEX. NUT
28	446145	2	1/2" LOCKWASHER
29	446130	2	1/4" LOCKWASHER
30	463016	2	#6 WOODRUFF KEY (NOT SHOWN)
31	162010	1	ENGINE MOUNT
32	130802	1	BLADE ADAPTER
33/34	145104/145102	1	BLADE 20"/22"
35	140105	2	BLADE BEARING
36	400250	2	1/2" x 4-1/2" BOLT
37	447101	1	SERRATED WASHER 3/8"
38	130613	2	LOWER HANDLE
39	313785	2	GRIP; HANDLE
40	359360	2	S-HOOK (DRAG SHIELD)
41	400185	10	5/16" x 3/4" BOLT
42	400190	6	5/16" x 1-1/4" BOLT
43	443110	4	3/8" HEX. NUT
44	455041	2	5/16" FLATWASHER
45	336673	1	3" x 7/8" PULLEY (20" MOWER)
46	463019	2	3/16" x 3/4" KEY (NOT SHOWN)
47	359358	1	SPRING
48	359321	1	IDLER PULLEY
49	400262	1	3/8" x 1-1/4" BOLT
50	455042	4	3/8" FLATWASHER
51	162054-B	1	CLIP, CLUTCH LEVER
52	400191	1	5/16" x 1-1/2" BOLT
53	359342	1	GUIDE, BELT
54	130805	1	BRAKE ASSEMBLY
55	162054	1	CLUTCH LEVER
56	162057	1	RESET (CAPRO) CONTROL
57	336807	1	CONDUIT BRACKET
58	359356	1	BELT GUIDE, IDLER
59	402007	2	3/16" x 2-1/2" SCREW
60	444305	2	3/16" NUTS
61	446107	2	3/16" LOCKWASHERS
62	400267	1	5/16" x 2" BOLT
63	400109	1	1/4" x 1-3/4"



5/14/86