

OPERATOR'S SAFETY AND SERVICE MANUAL



GP3000 GP3000-15

This manual covers the following serial numbers
and higher for each model listed:

GP3000 1278189
GP3000-15 1353841



SINGLE DIRECTION PLATES

MBW, Inc.
250 Hartford Rd • PO Box 440
Slinger, WI 53086-0440
Phone: (262) 644-5234
Fax: (262) 644-5169
Email: mbw@mbw.com
Website: www.mbw.com

MBW (UK) Ltd.
Unit 2 & 3 Cochrane Street
Bolton
BL3 6BN
Phone: 01204 387784
Fax: 01204 387797

L1313 / 08.04.C
©MBW, Inc. 2003
Printed in the USA

TABLE OF CONTENTS

Safety Information	1	Engine Speed	6
Introduction	1	Cleaning Plate	6
Safety Precautions	1	Belt Adjustment	6
Safety Decals	1	Checking Exciter Oil	7
Specifications	4	Changing Exciter Oil	7
Operation	5	Service	8
Introduction	5	Torque Chart	8
Before Starting & Operating	5	Exciter Disassembly	8
Starting Engine	5	Exciter Assembly	8
Operating	5	Parts Replacement Cycles and Tolerances	9
Stopping Engine	5	Replacement Parts	11
Maintenance	6	GP3000 Main Assembly	12
Maintenance Schedule	6	GP3000-15 Main Assembly	14
Fluid Levels	6	Exciter Assembly	16
Engine Maintenance	6	Engine Assembly	18
		Warranty	20

This page intentionally left blank.

SAFETY INFORMATION

Introduction



This Safety Alert Symbol is used to call attention to items or operations which may be dangerous to those operating or working with this equipment. The symbol can be found throughout this manual and on the unit. Please read these warnings and cautions, along with all decals, carefully before attempting to operate the unit. Make sure every individual who operates or works with this equipment is familiar with all safety precautions.

WARNING

GENERAL WARNING. Indicates information important to the proper operation of the equipment. Failure to observe may result in damage to the equipment and/or severe bodily injury or death.

CAUTION

GENERAL CAUTION. Indicates information important to the proper operation of the equipment. Failure to observe may result in damage to the equipment.

Safety Precautions



LETHAL EXHAUST GAS: An internal combustion engine discharges carbon monoxide, a poisonous, odorless, invisible gas. Death or serious illness may result if inhaled. Operate only in an area with proper ventilation. **NEVER OPERATE IN A CONFINED AREA!**



DANGEROUS FUELS: Use extreme caution when storing, handling and using fuels, as they are highly volatile and explosive in vapor state. Do not add fuel while engine is running. Stop and cool the engine before adding fuel. **DO NOT SMOKE!**



SAFETY GUARDS: It is the owner's responsibility to ensure that all guards and shields are in place and in working order.



IGNITION SYSTEMS: Breakerless, magneto, and battery ignition systems can cause severe electrical shocks. Avoid contacting these units or their wiring.



SAFE DRESS: Do not wear loose clothing, rings, wristwatches, etc. near machinery.



NOISE PROTECTION: Wear OSHA specified hearing protection devices.



EYE PROTECTION: Wear OSHA specified eye shields, safety glasses, and sweat bands.



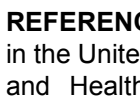
FOOT PROTECTION: Wear OSHA specified steel-tipped safety shoes.



HEAD PROTECTION: Wear OSHA specified safety helmets.



DUST PROTECTION: Wear OSHA specified dust mask or respirator.



OPERATOR: Keep children and bystanders off and away from the equipment.

REFERENCES: For details on safety rules and regulations in the United States, contact your local Occupational Safety and Health Administration (OSHA) office. Equipment operated in other countries must be operated and serviced in accordance and compliance with any and all safety requirements of that country. The publication of these safety precautions is done for your information. MBW does not by the publication of these precautions, imply or in any way represent that these are the sum of all dangers present near MBW equipment. If you are operating MBW equipment, it is your responsibility to insure that such operation is in full accordance with all applicable safety requirements and codes. All requirements of the United States Federal Occupational Safety and Health Administration Act must be met when operated in areas that are under the jurisdiction of that United States Department.

Safety Decals

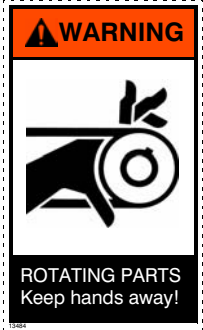
Carefully read and follow all safety decals. Keep them in good condition. If decals become damaged, replace as required. If repainting the unit, replace all decals. Decals are available from authorized MBW distributors. Order the decal set listed on the following page(s).

M-B-W GROUND POUNDER[®] COMPACTOR

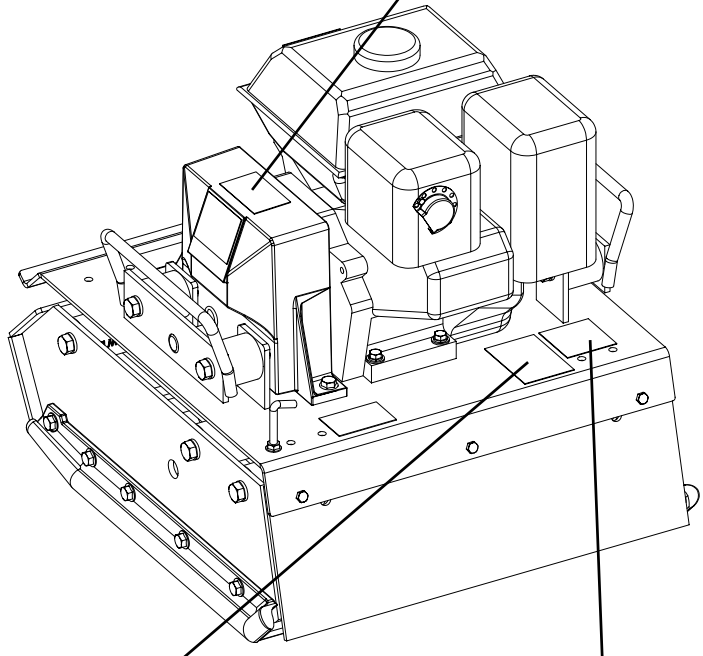
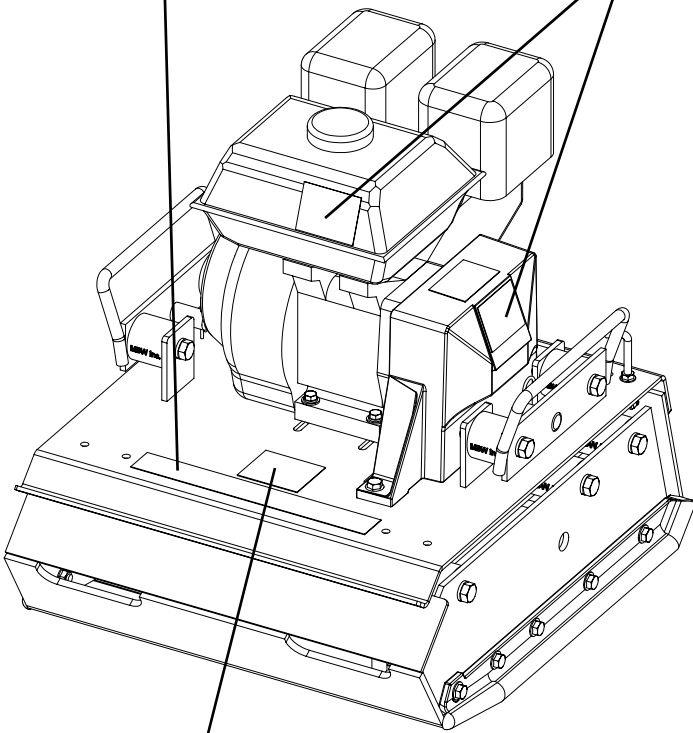
01062



01064



13484



CAUTION

Machine may fall and cause damage or injury if lifted incorrectly. Lift using handles at base of plate.

GP3000-15= #215 (98kg)
 GP3000= #250 (114kg)
 GP5500= #300 (137kg)

13478

13478

CAUTION

Read the Operating Instructions before operating this piece of equipment.

Keep unauthorized and untrained people away from this equipment.

ROTATING & MOVING PARTS! Make sure all guards and safety devices are in place.

Wear approved hearing protection, foot protection, eye protection and head protection.

STOP! SHUT OFF the motor before servicing or cleaning.

DO NOT RUN in an enclosed area. The engine produces carbon monoxide, a **POISONOUS GAS**.

Failure to comply could result in serious bodily injury.

13483

13483

PLATES OPERATING INSTRUCTIONS

1. Check engine oil.
2. Open fuel valve.
3. Choke engine. A warm engine may not need to be choked.
4. Open throttle part way.
5. Pull starter rope.
6. After starting: open choke, return throttle to idle position.
7. During operation, when excessive kickback is noticed, maximum compaction has been reached.
8. To stop: Return throttle to idle position, use engine stop switch, close fuel valve.

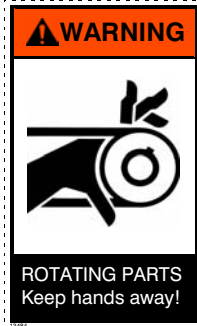
13482

13482

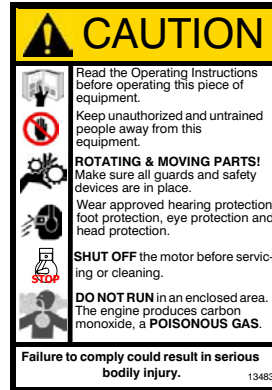
GP3000 Safety Decals (Decal Set #12100)



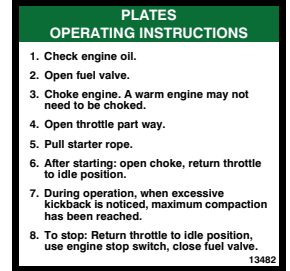
01064



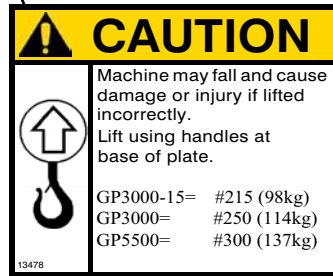
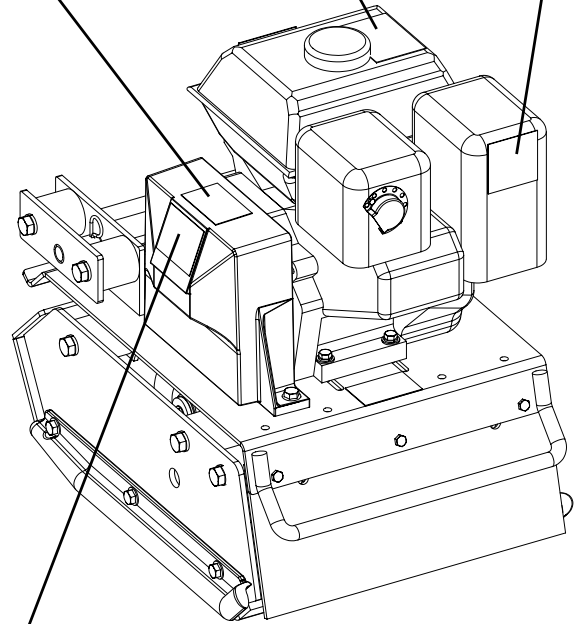
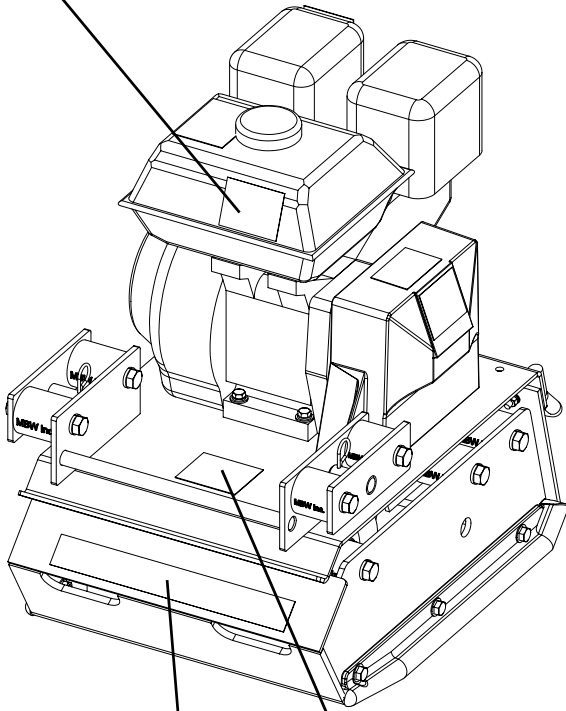
13484



13483



13482



13478



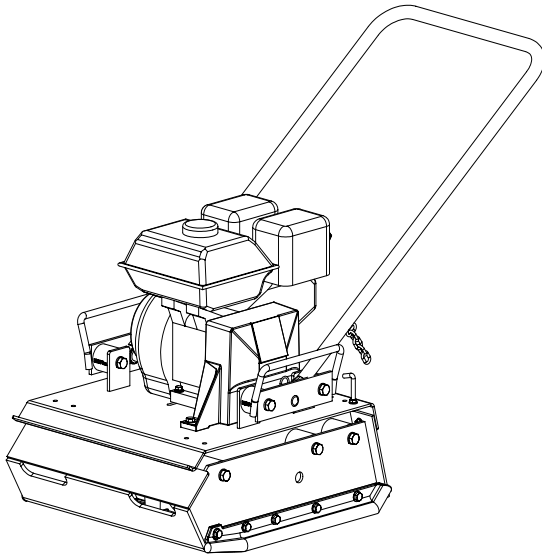
01064



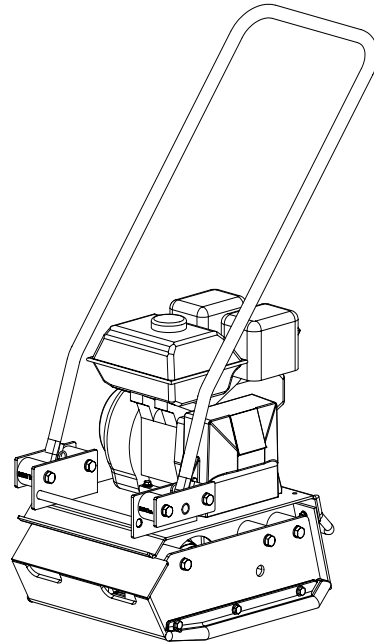
01062

GP3000-15 Safety Decals (Decal Set #12100)

SPECIFICATIONS



3000H



3000-15H

	GP3000	GP3000-15
Centrifugal Force	3550 lbs (1611 kg)	3550 lbs (1611 kg)
Exciter VPM	4400	4400
Travel Speed	90 ft/min (28 m/min)	120 ft/min (36 m/min)
Compaction Depth	18 in (47 cm)	16 in (41 cm)
Width & Length	21 x 22 in (53 x 56 cm)	16 x 20 in (40 x 51 cm)
Operating Weight (Honda)	234 lbs (106 kg)	202 lbs (91 kg)
Engine Speed	3400 rpm	3400 rpm
Engine	Honda 5.5 hp Robin 4.5 hp	Honda 5.5 hp Robin 4.5 hp

Specifications subject to change without notice

OPERATION

Introduction

MBW equipment is intended for use in very severe applications. They are powered by four cycle engines and are available in different sizes and a selection of engines.

This parts manual contains only standard parts. Variations of these parts as well as other special parts are not included. Contact your local MBW distributor for assistance in identifying parts not included in this manual.

Before Starting & Operating

- **REMEMBER!** It is the owner's responsibility to communicate information on the safe use and proper operation of this unit to the operators.
- Review ALL of the Safety Precautions listed on page 1 of this manual.
- Familiarize yourself with the operation of the machine and confirm that all controls function properly.
- Know how to STOP the machine in case of an emergency.
- Make sure hands, feet, and clothing are at a safe distance from any moving parts.
- **OIL LEVEL** - Check the oil level in the engine. For more information see "Lubrication" under the respective engine's "Owners Manual" or the Maintenance section of this manual.
- **AIR CLEANER** - Check to ensure element is in good condition and properly installed.
- **FUEL SUPPLY** - The engines on MBW equipment require an automotive grade of clean, fresh, unleaded gasoline.
- **FUEL FILTER** - If clogged or damaged, replace.

Starting Engine

1. Open fuel valve.

2. Turn engine switch to "ON".
3. Set throttle to idle.
4. Choke engine if necessary (you may not need to choke a warm engine).
5. Pull starter rope repeatedly until engine starts.
6. Move choke lever to open position.
7. Allow engine to warm up for one or two minutes.

Operating

1. Open throttle fully.
2. Compactor will begin vibrating and moving in a forward direction.
3. Maximum compaction of soil has been reached when excessive kickback is noticed in the compactor. The number of passes needed to reach compaction level desired will depend on soil type and moisture.
4. When using the compactor on asphalt use the water sprinkling system to keep the plate bottom from adhering to the hot asphalt.

Stopping Engine

1. Move throttle to idle position.
2. Let engine idle for one or two minutes.
3. Turn switch on engine to "STOP" position.
4. Turn off fuel valve.



Always stop the engine before:

Adding fuel.

Leaving the equipment unattended for any amount of time.

Before making any repairs or adjustments to the machine.

MAINTENANCE



WARNING



Always exercise the stopping procedure before servicing or lubricating the unit.

After servicing the unit, replace and fasten all guards, shields, and covers to their original positions before resuming operation.



CAUTION



Always verify fluid levels and check for leaks after changing fluids.

Do not drain oil onto ground, into open streams, or down sewage drains.

Maintenance Schedule

SYSTEM	MAINTENANCE	EACH USE	EVERY 50 HOURS	EVERY 250 HOURS	YEARLY
Engine	Refer to engine operator/owner manual	X			
Exciter	Check oil level		X		
	Check for oil leaks	X			
	Change oil			X	X
	Tighten Bolts ¹		X		X
Hardware	Check and tighten as needed ¹		X		X
Shockmounts	Check for cracks or tears		X		X

1. Check all hardware after the first 5 hours of use, then follow the maintenance schedule.

Fluid Levels

SYSTEM	FLUID VOLUME	RECOMMENDED OIL
Exciter	8 oz	MBW Ground Pounder [®] Exciter Oil ¹
Engine	Refer to engine operator/owner manual	

1. MBW #01058---- 6-Pack (8 oz bottles)
MBW #17320---- 1 quart (32 oz)
MBW #01469---- 1 gallon (U.S.)

Engine Maintenance

Refer to the engine owner's manual for maintenance intervals and procedures.

Engine Speed

1. Engine speed is factory set according to the speeds listed in the Specifications section of this manual. Refer to the engine owner's manual for procedure on setting operating speed if necessary.
2. The idle speed of the engine must not exceed 1800 rpm. If the idle speed is greater the clutch may not disengage. Check engine owner's manual for procedure on setting idle speed.

Cleaning Plate

Remove any excess debris which may get into the housing of the unit.

Belt Adjustment

If any belt stretch develops follow these steps:

Reference the figure on page 18.

1. Remove belt guard.
2. Loosen (do not remove) the four engine bolts (#9).
3. Pull engine back to remove any slack in v-belt (#3).
4. Retighten engine bolts.
5. Install belt guard.

Checking Exciter Oil



WARNING

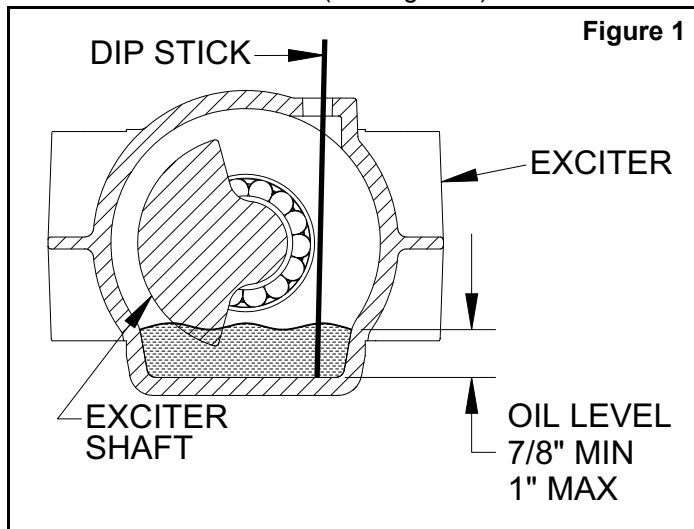


Exciter and oil in exciter is hot after machine has been running.

These instructions are written for a GP3000. The procedure for a GP3000-15 is very similar.

Reference the figure on page 12.

1. Let exciter cool before changing exciter oil.
2. Remove the belt guard (#5) and v-belt (page 18, #3).
3. Remove the bolts (#29) that hold the deck (#2) to the housing (#1).
4. Lift entire deck with engine from housing.
5. Remove pipe plug (page 16, #23) on top of exciter.
6. Rotate exciter shaft so a metal dip stick kind can be inserted into exciter (see Figure 1).



7. The oil level should be between 7/8" to 1" deep on bottom of exciter (see Figure 1).

8. If oil needs to be added refer to Fluid Levels, page 6 for the type of oil to be used.
9. Reinstall pipe plug.
10. Reinstall deck, v-belt and belt guard.

Changing Exciter Oil



WARNING



Exciter and oil in exciter is hot after machine has been running.

These instructions are written for a GP3000. The procedure for a GP3000-15 is very similar.

Reference the figure on page 12.

1. Let exciter cool before changing exciter oil.
2. Remove the belt guard (#5) and v-belt (page 18, #3).
3. Remove the bolts (#29) that hold the deck (#2) to the housing (#1).
4. Lift entire deck with engine from housing.
5. Remove drain screw (page 16, #19) and brass washer (page 16, #22) from the rear cover (page 16, #9).
6. Tilt housing upside down so oil drains from exciter (#3). (Examine oil for metal chips as a precaution to future problems.)
7. Tip housing upright and replace drain screw and brass washer.
8. Remove pipe plug (page 16, #23) on top of exciter.
9. Fill exciter according to Fluid Levels, page 6.
10. Reinstall pipe plug.
11. Reinstall deck, v-belt and belt guard.

SERVICE

Assembly and disassembly should be performed by a service technician who has been factory trained on MBW equipment. The unit should be clean and free of debris. Pressure washing before disassembly is recommended.

- Prior to assembly, wash all parts in a suitable cleaner or solvent.
- Check moving parts for wear and failure. Refer to the Replacement section in this manual for tolerance and replacement cycles.
- All shafts and housings should be oiled prior to pressing bearings. Also, ensure that the bearings are pressed square and are seated properly.
- All bearings should be replaced when rebuilding any exciter or gearbox.
- All gaskets and seals should be replaced after any disassembly.

Torque Chart

SIZE	GRADE 2	GRADE 5	GRADE 8
1/4-20	49 in·lbs	76 in·lbs	9 ft·lbs
1/4-28	56 in·lbs	87 in·lbs	10 ft·lbs
5/16-18	8 ft·lbs	13 ft·lbs	18 ft·lbs
5/16-24	9 ft·lbs	14 ft·lbs	20 ft·lbs
3/8-16	15 ft·lbs	23 ft·lbs	33 ft·lbs
3/8-24	17 ft·lbs	26 ft·lbs	37 ft·lbs
7/16-14	24 ft·lbs	37 ft·lbs	52 ft·lbs
7/16-20	27 ft·lbs	41 ft·lbs	58 ft·lbs
1/2-13	37 ft·lbs	57 ft·lbs	80 ft·lbs
1/2-20	41 ft·lbs	64 ft·lbs	90 ft·lbs
9/16-12	53 ft·lbs	82 ft·lbs	115 ft·lbs
5/8-11	73 ft·lbs	112 ft·lbs	159 ft·lbs
5/8-18	83 ft·lbs	112 ft·lbs	180 ft·lbs
3/4-16	144 ft·lbs	200 ft·lbs	315 ft·lbs
1-8	188 ft·lbs	483 ft·lbs	682 ft·lbs
1-14	210 ft·lbs	541 ft·lbs	764 ft·lbs
1-1/2-6	652 ft·lbs	1462 ft·lbs	2371 ft·lbs
M 6	3 ft·lbs	4 ft·lbs	7 ft·lbs
M 8	6 ft·lbs	10 ft·lbs	18 ft·lbs
M 10	10 ft·lbs	20 ft·lbs	30 ft·lbs

CONVERSIONS

in·lbs x 0.083 = ft·lbs

ft·lbs x 12 = in·lbs

ft·lbs x 0.1383 = kg·m

ft·lbs x 1.3558 = N·m

Exciter Disassembly

Steps 1 thru 6 reference the figure on page 12.

1. Remove the belt guard (#5) and v-belt (page 18, #3).
2. Remove the bolts (#29) that hold the deck (#2) to the housing (#1).
3. Lift entire deck with engine from housing.
4. Remove the four exciter hold down bolts (#18).
5. Lift the exciter (#3) from the housing (#1).
6. Clean the exciter before proceeding with the disassembly.

Steps 7 thru 17 reference the figure on page 16.

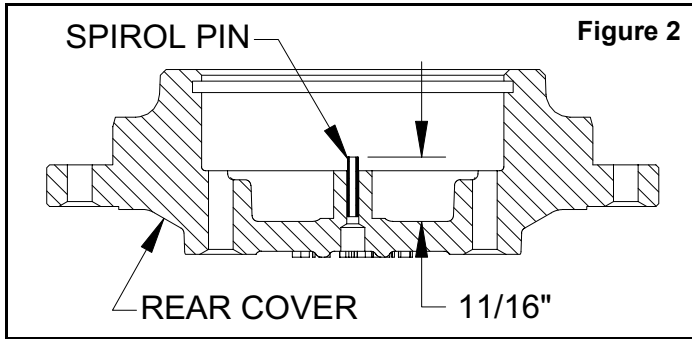
7. Remove the flange screw (#21) and washer (#14) securing the pulley (#3) to the exciter shaft (#2).
8. Slide the pulley off the exciter shaft. Be careful not to lose the key (#15).
9. Remove rear cover (#5) by unscrewing the six flange screws (#21).
10. Block exciter housing (#1) on large O.D. side (rear cover side), then press exciter shaft through exciter housing.
11. Remove front cover (#4) by unscrewing the six flange screws (#20).
12. Remove bearing (#12) from exciter housing by pressing it out from the inside.
13. Remove retainer (#7) by unscrewing the two cap screws (#19).
14. Remove snap ring (#8).
15. Remove bearing (#11) from rear cover (#5) by using a 1/4" punch. Tap the bearing out thru the holes from the cap screws in step 13. Be sure to alternate between holes to avoid cocking the bearing.
16. Remove snap ring (#9).
17. Remove inner race of bearing (#11) from the exciter shaft by supporting the O.D. of the race and pressing the exciter shaft thru.

Exciter Assembly

Steps 1 thru 19 reference the figure on page 16.

1. Press bearing (#12) into exciter housing (#1). Use care to press on the O.D. of the bearing only.
2. Press the inner race of bearing (#11) onto exciter shaft (#2).
3. Install snap ring (#9) onto exciter shaft.

4. Properly support I.D. and O.D. of bearing (#12) and press exciter shaft into bearing.
5. Check felt filter (#13) to make sure it is ok. If it is blocked or deteriorating replace it.
6. Check to make sure spirol pin (#18) is 11/16" (see Figure 2) up from inside of rear cover (#5).



7. Press bearing (#11) into rear cover and install snap ring (#8) and gasket (#17).
8. To aid in the assembly of the rear cover you will need three 5/16-18 x 2-1/2" minimum length bolts that will help in the alignment of the rear cover.
9. Apply some oil to the I.D. of the exciter housing and the O.D. of the rear cover.
10. Set the rear cover on top of the exciter housing and install the three alignment bolts thru the rear cover and thread them three turns into the exciter housing.

11. Carefully press or tap the rear cover down to seat on the exciter housing. Be sure to use care in order to keep the cover even.
12. Remove the alignment bolts and install six flange screws (#21). Torque to 13 ft-lbs.
13. Using medium strength thread lock install the retainer (#7), three cap screws (#19) and brass washer (#22).
14. Press oil seal (#10) into front cover (#4).
15. Install seal washer (#6) onto exciter shaft.
16. Install gasket (#16) onto front cover.
17. Intall front cover onto exciter housing with six flange screws (#20). Torque to 13 ft-lbs.
18. Grease oil seal lip and exciter shaft. Install pulley (#3) onto exciter shaft with key (#15), washer (#14) and flange screw (#21). Torque to 13 ft-lbs.
19. Add exciter oil (see page 6 for quantity and recommended oil) and install pipe plug (#23).

Steps 20 thru 23 reference the figure on page 12.

20. Clean mounting bars on housing (#1). Set exciter (#3) on mounting bars.
21. Check to make sure exciter sits flat on all four mount points, if not use shims (#11) as needed.
22. Install four exciter bolts (#18) and lock washers (#31). Torque to 150 ft-lbs.
23. Reassemble deck (#2), engine (page 18, #4), v-belt (page 18, #3), beltguard (#5) and handle (#6).

Parts Replacement Cycles and Tolerances

Bearings	Replace anytime a bearing is rough, binding, discolored or removed from housing or shaft.
Clutch	Replace clutch if it does not disengage below 1800 rpm.
Engine Components	Refer to your engine manufacturer's Owner's Manual.
Hardware	Replace any worn or damaged hardware as needed. Replacement hardware should be grade 5 and zinc plated unless otherwise specified.
Safety Decals	Replace if they become damaged or illegible.
Seals & Gaskets	Replace if a leak is detected and at every overhaul or teardown.
V-Belts	Replace if cracked, torn, or stretched to the point the belt won't tension properly.

This page intentionally left blank.

REPLACEMENT PARTS

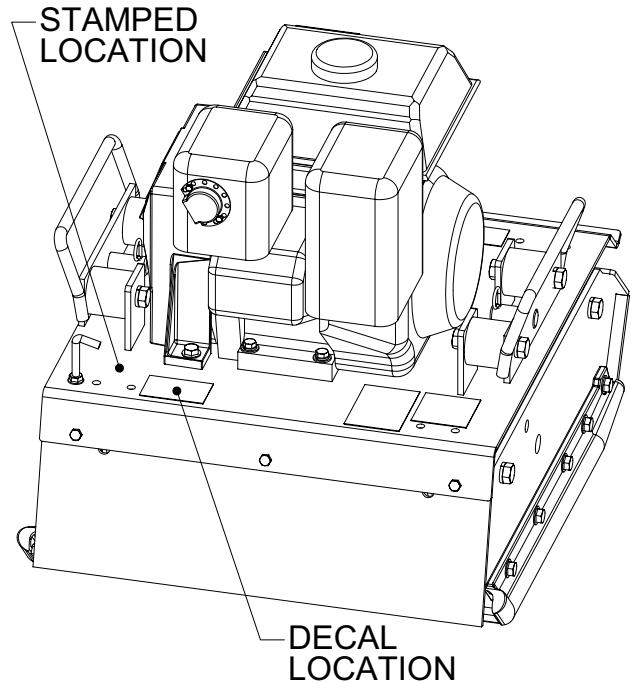
The warranty is stated in this book on page 20. Failure to return the Warranty Registration Card renders the warranty null and void.

MBW has established a network of reputable distributors/dealers with trained mechanics and full facilities for maintenance and rebuilding, and to carry an adequate parts stock in all areas of the country. Their sales engineers are available for professional consultation. If you cannot locate an MBW distributor in your area, contact MBW or one of our Sales Branches listed below.

When ordering replacement parts, be sure to have the following information available:

- Model and Serial Number of machine when ordering MBW parts
- Model and Serial Number of engine when ordering engine parts
- Part Number, Description, and Quantity
- Company Name, Address, Zip Code, and Purchase Order Number
- Preferred method of shipping

REMEMBER - You own the best! If repairs are needed, use only MBW parts purchased from authorized MBW distributors.



The unit's serial number can be found in the following locations:

- The model/serial number decal is located on the deck behind the engine.
- The serial number is stamped on the deck in the back left corner by the roll bar mounting holes.
- The serial number is also stamped on the exciter next to the fill hole.
- The serial number is also stamped on the exciter mounting bars on the base plate.

Write Model Number here

Write Serial Number here

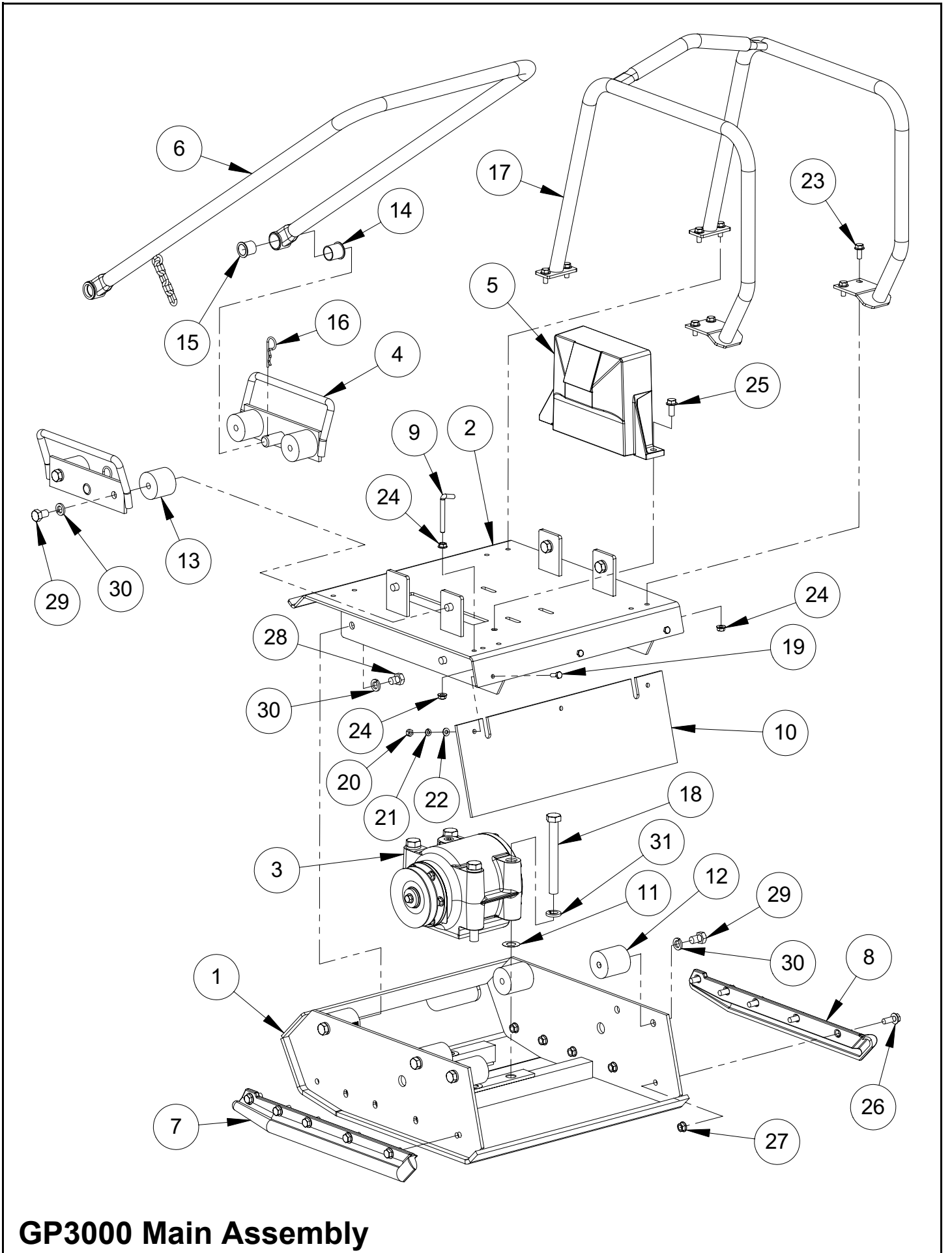
Contact Information

MBW, Inc.

250 Hartford Rd • PO Box 440
Slinger, WI 53086-0440
Phone: (262) 644-5234
Fax: (262) 644-5169
Email: mbw@mbw.com
Website: www.mbw.com

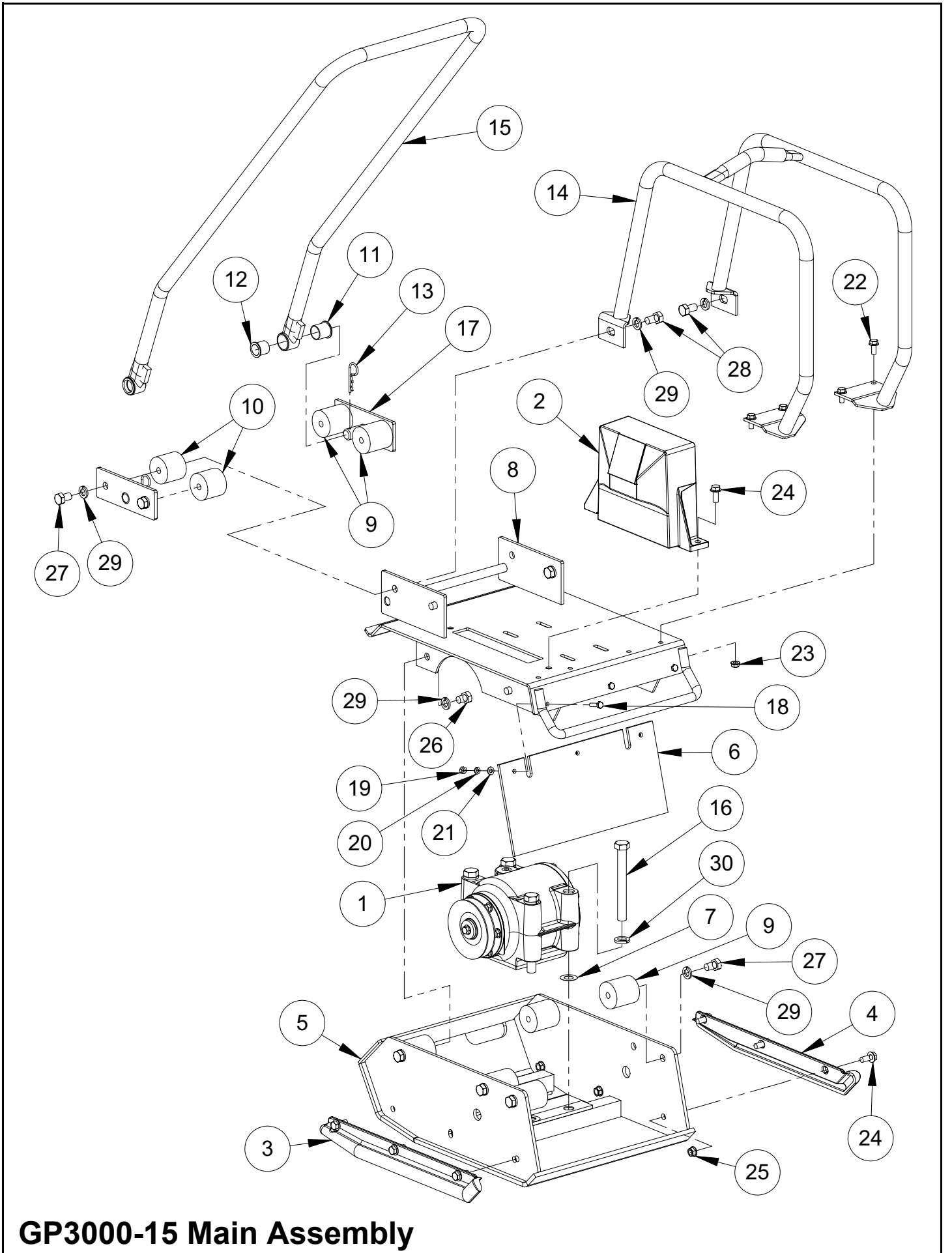
MBW (UK) Ltd.

Units 2& 3 Cochrane Street
Bolton
BL3 6BN, England
Phone: 01204 387784
Fax: 01204 387797



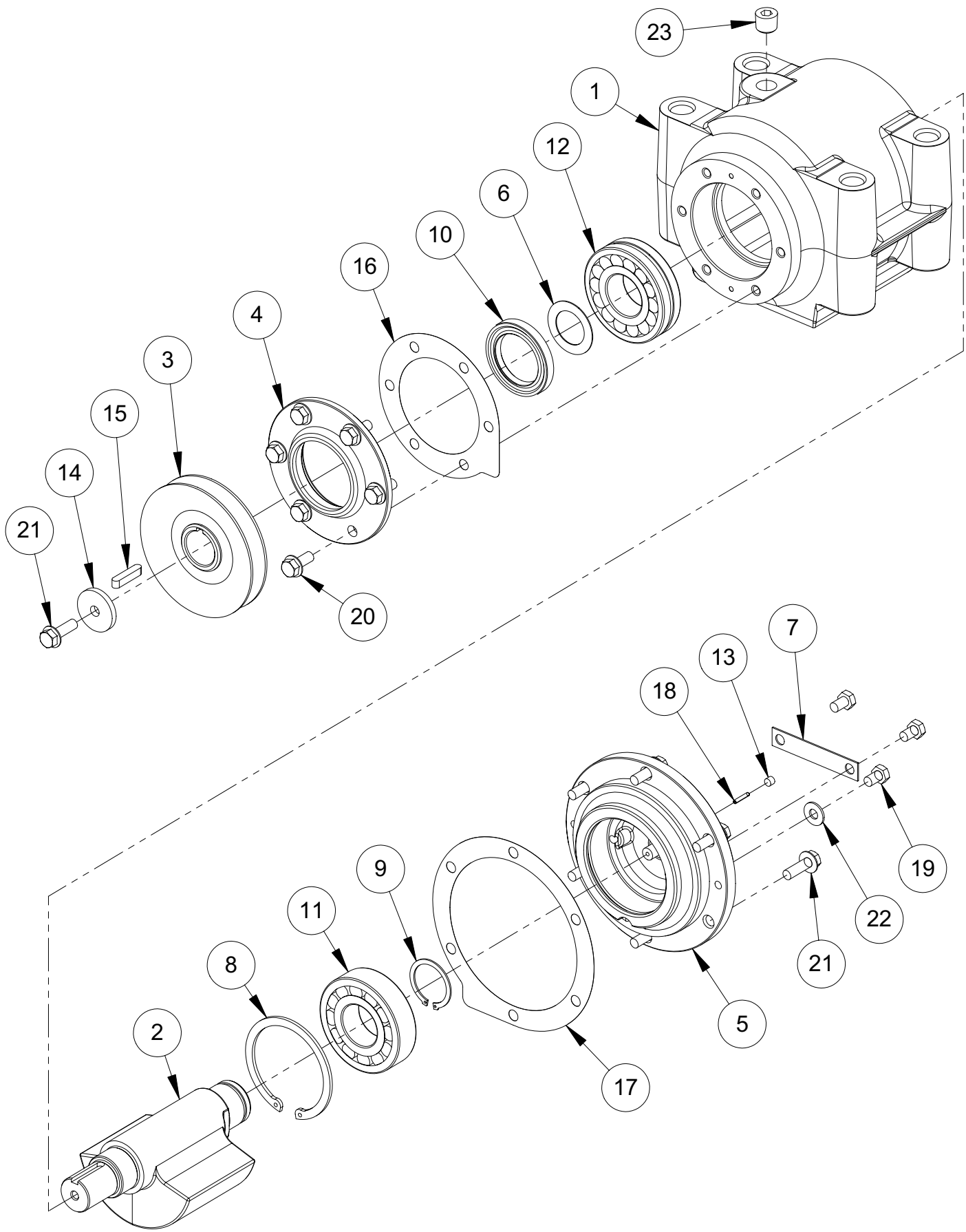
GP3000 Main Assembly

ITEM	PART NO.	DESCRIPTION	QTY
1.	00008	HOUSING, GP3000 (Includes items 7, 8, 26 & 27)	1
2.	00014	DECK, GP3000	1
3.	00019	EXCITER, GP3000	1
4.	00025	BRACKET, HANDLE	2
5.	00028	BELTGUARD	1
6.	00034	HANDLE, GP3000 (Includes items 14 & 15)	1
7.	0042L	BAR, MOLD LEFT GP3000	1
8.	0042R	BAR, MOLD RIGHT GP3000	1
9.	00048	HOOK BOLT	1
10.	00050	APRON, RUBBER GP3000	1
11.	00259	SHIM (as needed)	
12.	01011	SHOCKMOUNT	5
13.	01012	SHOCKMOUNT	4
14.	01018	BUSHING, NYLON OUTER	2
15.	01019	BUSHING, NYLON INNER	2
16.	01056	HAIRPIN	2
17.	02462	BAR, ROLL GP3000 (Optional)	1
18.	06054	HEX HEAD CAP SCREW, 5/8-18 x 5-1/2" GR8	4
19.	F042006HCS	HEX HEAD CAP SCREW, 1/4-20 x 3/4"	3
20.	F0420HN	HEX NUT, 1/4-20	3
21.	F04LW	LOCK WASHER, 1/4"	3
22.	F04SW	WASHER, 1/4"	3
23.	F051806FWS	FLANGE LOCKING SCREW, 5/16-18 x 3/4" (with Roll Bar only)	8
24.	F0518FN	FLANGE LOCKING NUT, 5/16-18 (8 with Roll Bar only)	10
25.	F061607FWS	FLANGE LOCKING SCREW, 3/8-16 x 7/8"	2
26.	F061608FWS	FLANGE LOCKING SCREW, 3/8-16 x 1"	10
27.	F0616FN	FLANGE LOCKING NUT, 3/8-16	10
28.	F081305HCS	HEX HEAD CAP SCREW, 1/2-13 x 5/8"	5
29.	F081306HCS	HEX HEAD CAP SCREW, 1/2-13 x 3/4"	13
30.	F08LW	LOCK WASHER, 1/2"	18
31.	F10LW	LOCK WASHER, 5/8"	4
		OPTIONAL ACCESSORIES	
	01022	SPRINKLING SYSTEM KIT, GP3000	
	01023	JOB CART, GP3000	
	01629	TEST MAT	
	02408	HEAVY DUTY HOUSING, GP3000	
	02464	ROLL BAR KIT, GP3000 (Includes items 17, 23 & 24)	



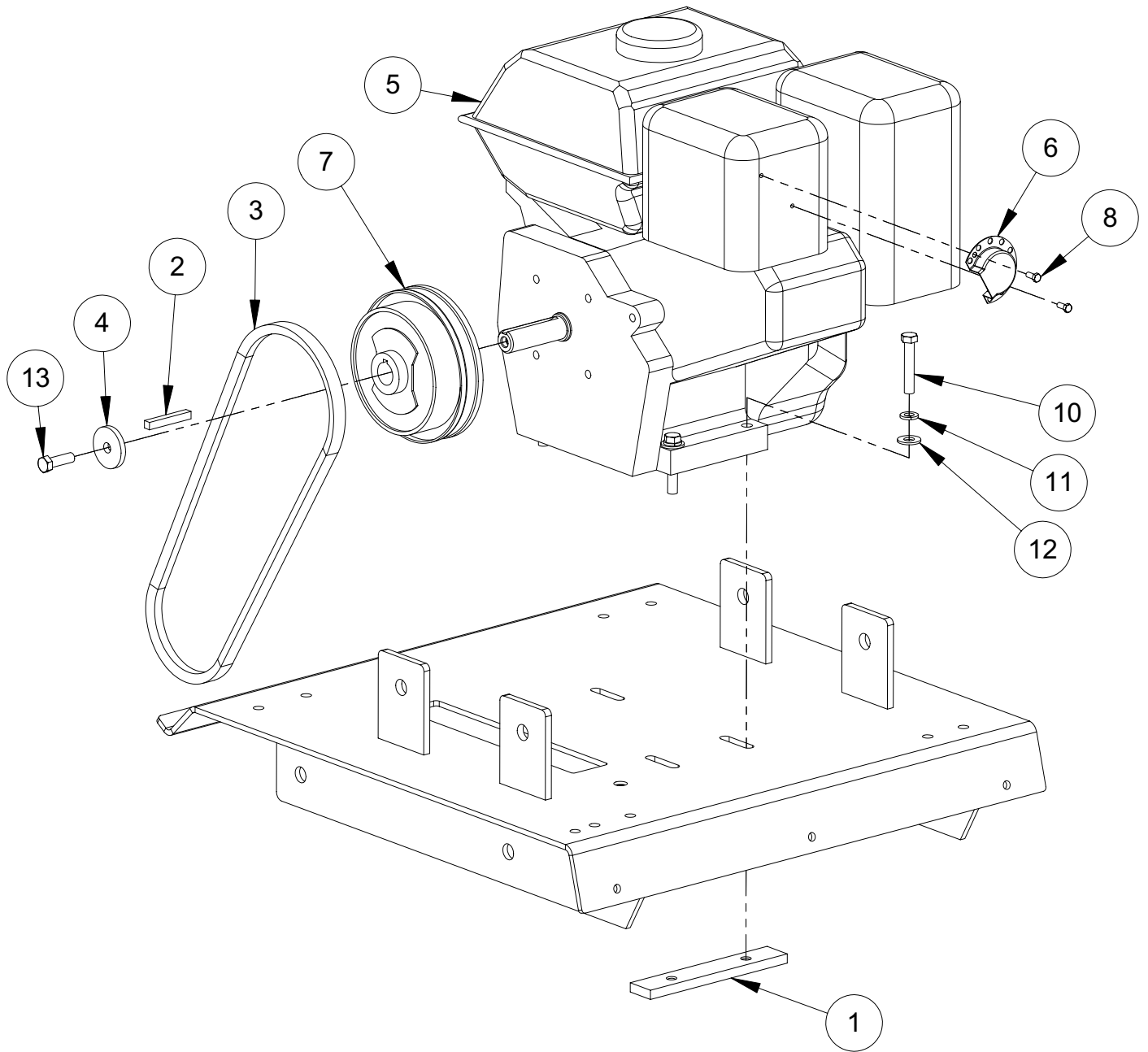
GP3000-15 Main Assembly

ITEM	PART NO.	DESCRIPTION	QTY
1.	00019	EXCITER, GP3000	1
2.	00028	BELTGUARD	1
3.	0049L	BAR, MOLD LEFT GP3000-15	1
4.	0049R	BAR, MOLD RIGHT GP3000-15	1
5.	00160	HOUSING, GP3000-15 (Includes items 3, 4, 24 & 25)	1
6.	00174	APRON, RUBBER GP3000	1
7.	00259	SHIM (as needed)	
8.	00308	DECK, GP3000-15	1
9.	01011	SHOCKMOUNT	7
10.	01012	SHOCKMOUNT	2
11.	01018	BUSHING, NYLON OUTER	2
12.	01019	BUSHING, NYLON INNER	2
13.	01056	HAIRPIN	2
14.	02473	BAR, ROLL GP3000-15 (Optional)	1
15.	02710	HANDLE, GP3000-15 (Includes items 11 & 12)	1
16.	06054	HEX HEAD CAP SCREW, 5/8-18 x 5-1/2" GR8	4
17.	06921	BRACKET, HANDLE	2
18.	F042006HCS	HEX HEAD CAP SCREW, 1/4-20 x 3/4"	3
19.	F0420HN	HEX NUT, 1/4-20	3
20.	F04LW	LOCK WASHER, 1/4"	3
21.	F04SW	WASHER, 1/4"	3
22.	F051806FWS	FLANGE LOCKING SCREW, 5/16-18 x 3/4" (with Roll Bar only)	4
23.	F0518FN	FLANGE LOCKING NUT, 5/16-18" (with Roll Bar only)	4
24.	F061607FWS	FLANGE LOCKING SCREW, 3/8-16 x 7/8"	8
25.	F0616FN	FLANGE LOCKING NUT, 3/8-16	6
26.	F081305HCS	HEX HEAD CAP SCREW, 1/2-13 x 5/8"	5
27.	F081306HCS	HEX HEAD CAP SCREW, 1/2-13 x 3/4"	13
28.	F081307HCS	HEX HEAD CAP SCREW, 1/2-13 x 7/8" (with Roll Bar only)	2
29.	F08LW	LOCK WASHER, 1/2"	18
30.	F10LW	LOCK WASHER, 5/8"	4
		OPTIONAL ACCESSORIES	
	01038	JOB CART, GP3000-15	
	01629	TEST MAT	
	02472	ROLL BAR KIT, GP3000-15 (Includes items 14, 22, 23 & 28)	
	07213	SPRINKLING SYSTEM KIT, GP3000-15	



Exciter Assembly

ITEM	PART NO.	DESCRIPTION	QTY
1.	00001	HOUSING, EXCITER	1
2.	00002	SHAFT, EXCITER	1
3.	00003	PULLEY, EXCITER	1
4.	00005	COVER, FRONT	1
5.	00006	COVER, REAR	1
6.	00062	WASHER, SEAL	1
7.	00066	RETAINER	1
8.	01000	RETAINING RING, INTERNAL	1
9.	01001	RETAINING RING, EXTERNAL	1
10.	01002	SEAL, OIL	1
11.	01004	BEARING, CYLINDRICAL ROLLER	1
12.	01005	BEARING, SPHERICAL ROLLER	1
13.	01072	FILTER, FELT	1
14.	01099	WASHER	1
15.	01283	KEY, 1/4 SQ x 1-1/4 RD ENDS	1
16.	06096	GASKET	1
17.	06098	GASKET	1
18.	F0205SP	SPIROL PIN, 1/8 x 5/8 RD	1
19.	F051804HCS	HEX HEAD CAP SCREW, 5/16-18 x 1/2"	3
20.	F051806FWS	FLANGE LOCKING SCREW, 5/16-18 x 3/4"	6
21.	F051808FWS	FLANGE LOCKING SCREW, 5/16-18 x 1"	7
22.	F05BFW	BRASS WASHER, 5/16"	1
23.	F0618SPP	SOCKET PIPE PLUG, 3/8-18	1
		REPLACEMENT KIT	
	00019	EXCITER ASM, GP3000 (Contains all above items)	



Engine Assembly

ITEM	PART NO.	DESCRIPTION	QTY
1.	00031	BAR, MOUNTING	2
2.	00808	KEY, 1/4 SQ x 1-3/4	1
3.	01013	V-BELT	1
4.	01099	WASHER	1
5.	01444	ENGINE, HONDA 5.5hp	1
	17210	ENGINE, ROBIN 4.5hp	1
6.	07636	DEFLECTOR, EXHAUST (Honda only)	1
7.	16105	CLUTCH, CENTRIFUGAL	1
8.	F0203HTB	HEX HEAD TAP BOLT, #8 x 3/8" (Honda only)	2
9.	F052408HCS	HEX HEAD CAP SCREW, 5/16-24 X 1	1
10.	F051814HCS	HEX HEAD CAP SCREW, 5/16-18 x 1-3/4"	4
11.	F05LW	LOCK WASHER, 5/16"	4
12.	F05SW	WASHER, 5/16"	4

WARRANTY

1. **MBW** warrants each new machine against defects in material and workmanship under normal use and service for a period of six (6) months. This warranty commences the first day the machine is sold, assigned to a rental fleet, or otherwise put to first use.
2. The obligation under this warranty is limited to the replacement or repair of parts and/or machine at **MBW** factory branches or at authorized **MBW** distributors.
3. Machines altered or modified without **MBW** written consent voids this warranty. Misuse, negligence, accidents or the operation of machines in any way other than recommended by **MBW** will void this warranty. This warranty shall not apply to machines repaired by other than **MBW** factory branches or authorized **MBW** distributors.
4. This warranty includes labor on all **MBW** products. Labor must be performed at an authorized **MBW** distributor.
5. The cost of transportation and other expenses connected therewith are not covered by this warranty.
6. Written authorization for the return of merchandise under warranty must be obtained from **MBW** or **MBW (UK) Limited**.
7. **MBW** reserves the right to inspect and render final decision on each warranty case.
8. **MBW** reserves the right to improve or make product changes without incurring any obligation to update, refit, or install the same on machines previously sold.
9. **MBW** is not responsible for any liability or damage or injury directly or indirectly from design, material or operation of its products.
10. Warranty card must be returned to **MBW** or **MBW (UK) Limited** within 10 days after purchase, assignment to a rental fleet, or first use. Failure to return warranty card as specified renders the warranty null and void.
11. Requests for warranty must be submitted within 30 days after machine failure to **MBW** or **MBW (UK) Limited**.
12. The foregoing warranty is expressly in lieu of all other warranties, expressed or implied, including the warranties of merchantability and fitness for use, and of all other obligation or liabilities on our part, and we neither assume nor authorize any other person to assume for us any other liability or warranty in connection with the sale or service of any of our products. Likewise, this warranty shall not apply with respect to engines, motors and other component parts produced by other manufactures and used on **MBW** products, but such items shall have such warranties as may be provided by the manufacturer thereof.



MBW, Inc.
250 Hartford Rd • PO Box 440
Slinger, WI 53086-0440
Phone: (262) 644-5234
Fax: (262) 644-5169
Email: mbw@mbw.com
Website: www.mbw.com

MBW (UK) Ltd.
Units 2 & 3 Cochrane Street
Bolton BL3 6BN, England
Phone: 01204 387784
Fax: 01204 387797

NOTES

NOTES