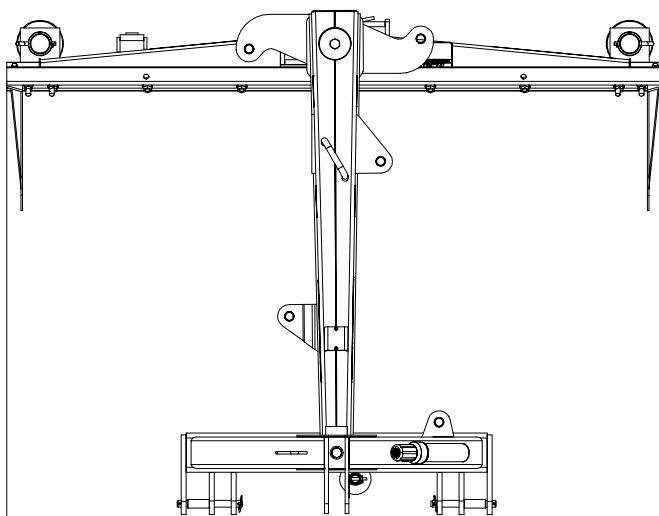
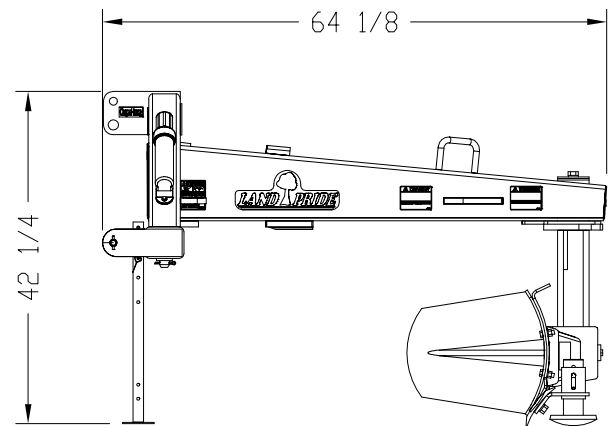


Rear Blades

RBT40 Series			
	RBT4084	RBT4096	RBT40108
Blade Width	84"	96"	108"
Approximate Weight (lbs.) w/manual links	689#	739#	789#
Maximum Engine Horsepower	100 HP - 2 Wheel drive		
Maximum G.V.W. (lbs.)	9500		
Hitch Type	Cat. 1 & 2 Fits Land Pride Quick Hitch		
Moldboard Height	17"		
Moldboard Thickness	5/16" reinforced, 1/4" tapered reinforcement channel		
MoldBoard Kingpin	3"		
Blade Angle	Manual: Hydraulic:	7 positions in 15 deg. increments (1 center, 3 clockwise & 3 counterclockwise) Up to 45 degrees in either direction.	
Angle Cylinder	3 1/2" X 16" X 1 1/4"		
Tilt Angle (Manual or Hydraulic)	Up to 15 degrees		
Tilt Cylinder	3" X 6" X 1 1/4"		
Frame Offset (Manual or Hydraulic)	Up to 30 inches left and right		
Offset Cylinder	3 1/2" X 16" X 1 1/4"		
Cutting Edge	1/2" x 6" Heat treated reversible blade		
Main Frame	Fully enclosed welded, formed box		
Parking Stand	Retractable		
Options	Skid Shoes End Plates Double Selector Valve and Cushion Valve		



← RBT4084 = 83 1/2 RBT4096 = 95 1/2 →
 RBT40108 = 107 1/2



26810

Top View

Side View

Designs, specifications, features and information are subject to change without notice.