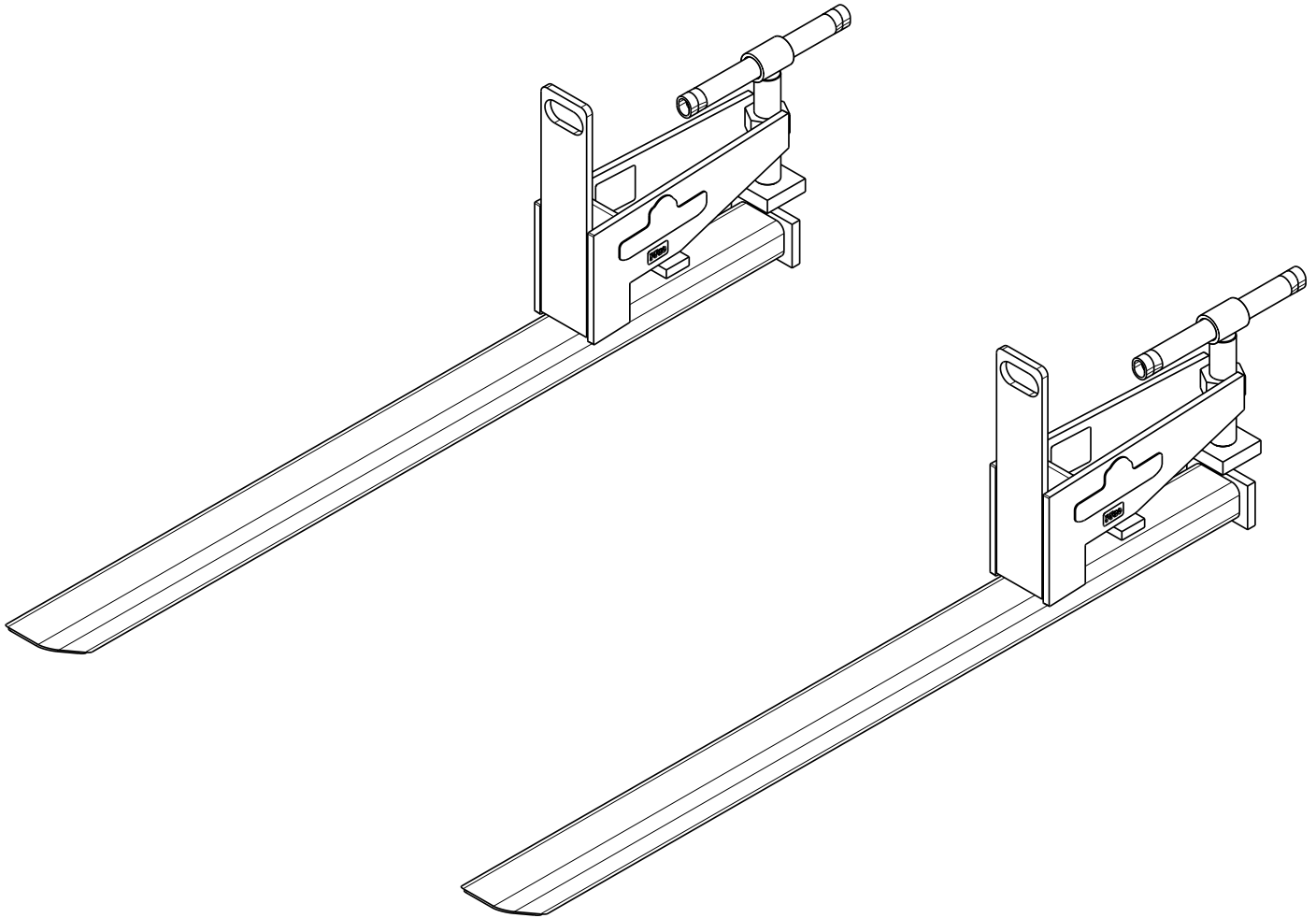


Pallet Forks

PF10 & PF20



25760

319-033M Operator's Manual



Read the Operator's manual entirely. When you see this symbol, the subsequent instructions and warnings are serious - follow without exception. Your life and the lives of others depend on it!

© Copyright 2008 Printed 1/28/08

Cover photo may show optional equipment not supplied with standard unit.



| | | | |
|--|----------|---|-----------|
| Important Safety Information | 1 | Section 3: Maintenance & Lubrication . . . | 9 |
| Safety at All Times | 1 | Maintenance | 9 |
| Look For The Safety Alert Symbol | 1 | Lubrication | 9 |
| Safety Labels | 4 | Thrusts & Bearing Surface | 9 |
| Introduction | 5 | Section 4: Specifications & Capacities .10 | |
| Application | 5 | Section 5: Features and Benefits | 11 |
| Using This Manual | 5 | Section 6: Appendix | 12 |
| Terminology | 5 | Torque Values Chart For Common Bolt Size | 12 |
| Definitions | 5 | Warranty | 13 |
| Owner Assistance | 5 | | |
| Serial Number Plate | 5 | | |
| Further Assistance | 5 | | |
| Section 1: Installation | 6 | | |
| Installation | 6 | | |
| Two Pallet Fork Installation | 6 | | |
| Three Pallet Fork Installation | 6 | | |
| Section 2: Operating Procedures | 7 | | |
| Operating Check List | 7 | | |
| Instructions | 7 | | |
| Pallet Fork Operation | 8 | | |
| Picking up a load | 8 | | |
| Traveling with a load | 8 | | |
| Placing a load | 8 | | |
| General Operating Instructions | 8 | | |

© Copyright 2008 All rights Reserved

Land Pride provides this publication "as is" without warranty of any kind, either expressed or implied. While every precaution has been taken in the preparation of this manual, Land Pride assumes no responsibility for errors or omissions. Neither is any liability assumed for damages resulting from the use of the information contained herein. Land Pride reserves the right to revise and improve its products as it sees fit. This publication describes the state of this product at the time of its publication, and may not reflect the product in the future.

Land Pride is a registered trademark.

All other brands and product names are trademarks or registered trademarks of their respective holders.

Printed in the United States of America.

Important Safety Information

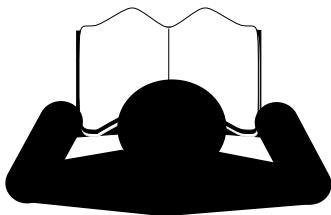
These are common practices that may or may not be applicable to the products described in this manual.

Safety at All Times

Thoroughly read and understand the instructions given in this manual before operation. Refer to the "Safety Label" section, read all instructions noted on them.

Do not allow anyone to operate this equipment who has not fully read and comprehended this manual and who has not been properly trained in the safe operation of the equipment.

- ▲ Operator should be familiar with all functions of the unit.
- ▲ Make sure all guards and shields are in place and secured before operating the implement.
- ▲ Never operate tractor/Skid Steer controls from the ground. Always sit in the operator's seat when activating the controls.
- ▲ Keep bystanders away from tractor/Skid Steer and work area. Do not raise the lift arms and attachment over another worker.
- ▲ Never carry riders or use tractor/Skid Steer to lift people.
- ▲ Do not leave tractor/Skid Steer or implement unattended with engine running.
- ▲ Travel up and down slopes, not across them.
- ▲ Do not dismounting from a moving tractor/Skid Steer. This can cause serious injury or death.
- ▲ Do not stand between the tractor/Skid Steer and implement during hitching.
- ▲ Keep hands and feet on controls or footrests. Never lean out the front of the cab with the engine running.
- ▲ Keep hands, feet, and clothing away from power-driven parts.
- ▲ Wear snug fitting clothing to avoid entanglement with moving parts.
- ▲ Watch out for wires, trees, etc., when raising implement. Make sure all persons are clear of working area.



Look For The Safety Alert Symbol

The SAFETY ALERT SYMBOL indicates there is a potential hazard to personal safety involved and extra safety precaution must be taken. When you see this symbol, be alert and carefully read the message that follows it. In addition to design and configuration of equipment, hazard control and accident prevention are dependent upon the awareness, concern, prudence and proper training of personnel involved in the operation, transport, maintenance and storage of equipment.

Be Aware of Signal Words

A Signal word designates a degree or level of hazard seriousness. The signal words are:

DANGER

Indicates an imminently hazardous situation which, if not avoided, will result in death or serious injury. This signal word is limited to the most extreme situations, typically for machine components that, for functional purposes, cannot be guarded.

WARNING

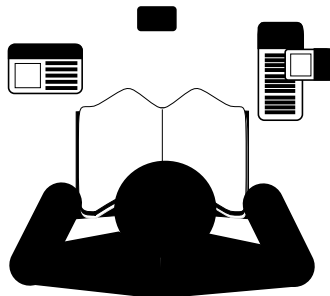
Indicates a potentially hazardous situation which, if not avoided, could result in death or serious injury, and includes hazards that are exposed when guards are removed. It may also be used to alert against unsafe practices.

CAUTION

Indicates a potentially hazardous situation which, if not avoided, may result in minor or moderate injury. It may also be used to alert against unsafe practices.

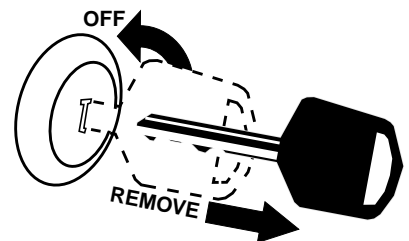
For Your Protection

- ▲ Thoroughly read and understand the "Safety Label" section, read all instructions noted on them.



Shutdown and Storage

- ▲ Lower machine to ground, put tractor in park, turn off engine, and remove the key.
- ▲ Detach and store implements in a area where children normally do not play. Secure implement by using blocks and supports.

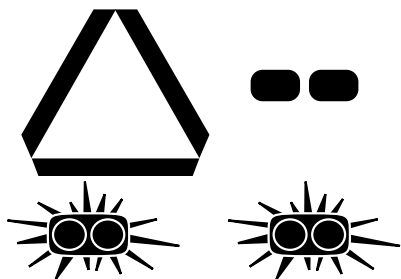


Important Safety Information

These are common practices that may or may not be applicable to the products described in this manual.

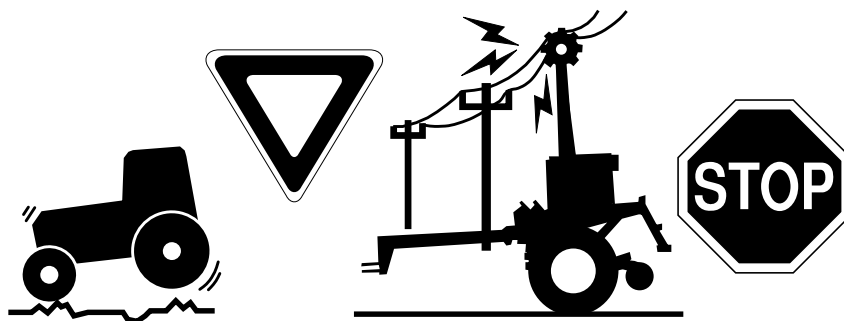
Use Safety Lights and Devices

- ▲ Slow moving tractors, self-propelled equipment, and towed implements can create a hazard when driven on public roads. They are difficult to see, especially at night.
- ▲ Flashing warning lights and turn signals are recommended whenever driving on public roads. Use lights and devices provided with implement.



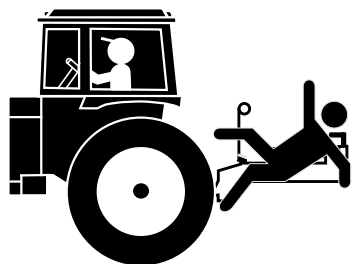
Transport Machinery Safely

- ▲ Comply with state and local laws.
- ▲ Never travel at a speed which does not allow adequate control of steering and stopping. Some rough terrain require a slower speed.
- ▲ Always drive up/down the ramp with heavy end uphill. Engage parking brake when stopped on an incline.
- ▲ Secure tractor/Skid Steer and attachments using tie downs and chains. Use towing vehicle and trailer of adequate capacity.
- ▲ Sudden braking can cause a towed load to swerve and upset. Reduce speed if towed load is not equipped with brakes.
- ▲ **IMPORTANT:** Do not tow a load that is more than double the weight of tractor/Skid Steer.



Keep Riders Off Machinery

- ▲ Riders obstruct the operator's view, they could be struck by foreign objects or thrown from the machine.
- ▲ Never allow children to operate equipment.



Practice Safe Maintenance

- ▲ Understand procedure before doing work. Use proper tools and equipment, refer to Operator's Manual for additional information.
- ▲ Work in a clean dry area.
- ▲ Lower the implement to the ground, put tractor in park, turn off engine, and remove key before performing maintenance.
- ▲ Allow implement to cool completely.
- ▲ Disconnect battery ground cable (-) before servicing or adjusting electrical systems or before welding on implement.
- ▲ Do not grease or oil implement while it is in operation.
- ▲ Inspect all parts. Make sure parts are in good condition & installed properly.
- ▲ Remove buildup of grease, oil or debris.
- ▲ Remove all tools and unused parts from implement before operation.

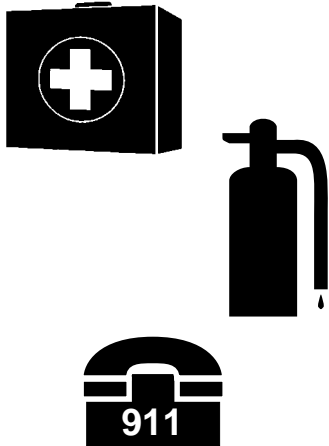


Important Safety Information

These are common practices that may or may not be applicable to the products described in this manual.

Prepare for Emergencies

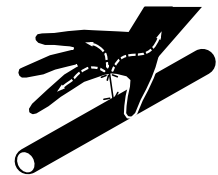
- ▲ Be prepared if a fire starts.
- ▲ Keep a first aid kit and fire extinguisher handy.
- ▲ Keep emergency numbers for doctor, ambulance, hospital and fire department near phone.

**Wear Protective Equipment**

- ▲ Protective clothing and equipment should be worn.
- ▲ Wear clothing and equipment appropriate for the job. Avoid loose fitting clothing.
- ▲ Prolonged exposure to loud noise can cause hearing impairment or hearing loss. Wear suitable hearing protection such as earmuffs or earplugs.
- ▲ Operating equipment safely requires the full attention of the operator. Avoid wearing radio headphones while operating machinery.

**Avoid High Pressure Fluids Hazard**

- ▲ Escaping fluid under pressure can penetrate the skin causing serious injury.
- ▲ Avoid the hazard by relieving pressure before disconnecting hydraulic lines.
- ▲ Use a piece of paper or cardboard, NOT BODY PARTS, to check for suspected leaks.
- ▲ Wear protective gloves and safety glasses or goggles when working with hydraulic systems.
- ▲ If an accident occurs, see a doctor immediately. Any fluid injected into the skin must be treated within a few hours or gangrene may result.

**Tire Safety**

- ▲ Tire changing can be dangerous and should be performed by trained personnel using the correct tools and equipment.
- ▲ When inflating tires, use a clip-on chuck and extension hose long enough to allow you to stand to one side and NOT in front of or over the tire assembly. Use a safety cage if available.
- ▲ When removing and installing wheels, use wheel handling equipment adequate for the weight involved.

**Handle Chemicals Properly**

- ▲ Protective clothing should be worn.
- ▲ Handle all chemicals with care.
- ▲ Follow instructions on container label.
- ▲ Agricultural chemicals can be dangerous. Improper use can seriously injure persons, animals, plants, soil, and property.
- ▲ Inhaling smoke from any type of chemical fire is a serious health hazard.
- ▲ Store or dispose of unused chemicals as specified by the chemical manufacturer.

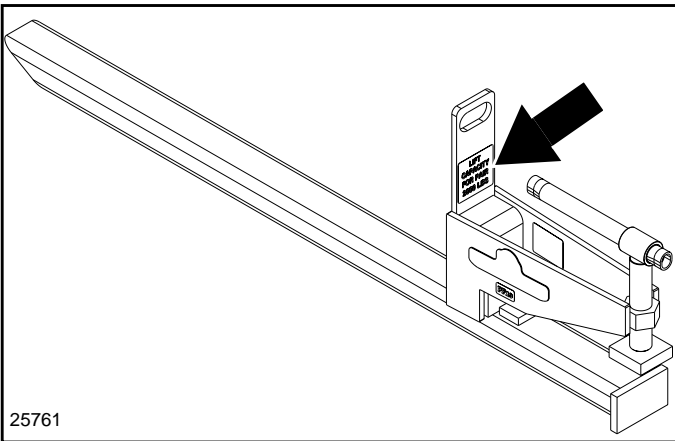


Important Safety Information

Safety Labels

Your Pallet Forks come equipped with all safety labels in place. They were designed to help you safely operate your implement. Read and follow their directions.

1. *Keep all safety labels clean and legible.*
2. *Replace all damaged or missing labels. To order new labels go to your nearest Land Pride dealer or visit our dealer locator at landpride.com.*
3. *Some new equipment installed during repair requires safety labels to be affixed to the replaced component as specified by Land Pride. When ordering new components make sure the correct safety labels are included in the request.*
4. *Refer to this section for proper label placement. To install new labels:*
 - a. *Clean the area the label is to be placed.*
 - b. *Spray soapy water on the surface where the label is to be placed.*
 - c. *Peel backing from label. Press firmly onto the surface.*
 - d. *Squeeze out air bubbles with the edge of a credit card.*



LIFT
CAPACITY
FOR PAIR
1000 LBS

LIFT
CAPACITY
FOR PAIR
2000 LBS

848-144C

Lift capacity for 1000 lbs rating - PF10 Model

848-143C

Lift capacity for 2000 lbs rating - PF20 Model

Introduction

Land Pride welcomes you to the growing family of new product owners.

This Pallet Fork has been designed with care and built by skilled workers using quality materials. Proper assembly, maintenance and safe operating practices will help you get years of satisfactory use from the product.

Application

The Land Pride PF10 and PF20 Bucket Mounted Pallet Forks have uses and applications in farming, ranching, construction sites, nurseries, campuses, theme parks, salvage operations, warehouses, lumber yards, and large or small retail outlets. They have the capability of turning your tractor or skid steer bucket loader into a forklift for expanded material handling capability. Whether you choose the 1000 lb. capacity PF10 series or 2000 lb. capacity PF20 Series Pallet Forks you'll find that the Land Pride product will save you time and money and make getting the material handling job done a great deal easier.

See "**Section 4: Specifications & Capacities**" on page 10 and "**Section 5: Features and Benefits**" on page 11 for additional information and performance enhancing options.

Using This Manual

- This Operator's Manual is designed to help familiarize you with safety, assembly, operation, adjustments, troubleshooting, and maintenance. Read this manual and follow the recommendations to help ensure safe and efficient operation.
- The information contained within this manual was current at the time of printing. Some parts may change slightly to assure you of the best performance.
- To order a new Operator's or Parts Manual contact your authorized dealer. Manuals can also be downloaded, free-of-charge from our website at www.landpride.com or printed from the Land Pride Service & Support Center by your dealer.

Terminology

"Right" or "Left" as used in this manual is determined by facing the direction the machine will operate while in use unless otherwise stated.

Definitions

NOTE: A special point of information that the operator must be aware of before continuing.

IMPORTANT: A special point of information related to its preceding topic. Land Pride's intention is that this information should be read and noted before continuing.

Owner Assistance

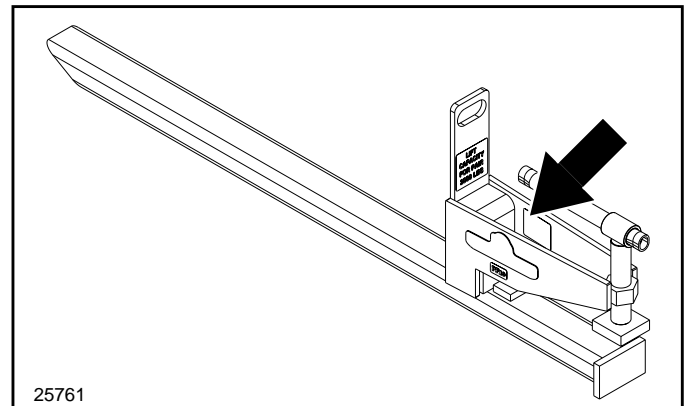
The Warranty Registration card should be filled out by the dealer at the time of purchase. This information is necessary to provide you with quality customer service.

If customer service or repair parts are required contact a Land Pride dealer. A dealer has trained personnel, repair parts and equipment needed to service the Pallet Fork.

The parts on your Pallet Forks have been specially designed and should only be replaced with genuine Land Pride parts. Therefore, should your Pallet Fork require replacement parts go to your Land Pride Dealer.

Serial Number Plate

For prompt service always use the serial number and model number when ordering parts from your Land Pride dealer. Be sure to include your serial and model numbers in correspondence also. Refer to Figure 1 for the location of your serial number plate.



Serial Number Plate Location
Figure 1

Further Assistance

Your dealer wants you to be satisfied with your new Pallet Forks. If for any reason you do not understand any part of this manual or are not satisfied with the service received, the following actions are suggested:

1. Discuss the matter with your dealership service manager making sure he is aware of any problems you may have and that he has had the opportunity to assist you.
2. If you are still not satisfied, seek out the owner or general manager of the dealership, explain the problem and request assistance.
3. For further assistance write to:

Land Pride Service Department
1525 East North Street
P.O. Box 5060
Salina, Ks. 67402-5060

E-mail address
lp servicedept@landpride.com

Section 1: Installation

Installation

The PF10 and PF20 Pallet Forks are designed for Skid Steer and Tractor Loader buckets.

WARNING

Light weight tractors and some skid steer loaders will require rear ballast for heavy loads to maintain steering control. Be sure to consult your Tractor/Skid Steer Operator's Manual to determine whether or not to add ballast.

IMPORTANT: The throat opening is designed to accommodate a variety of bucket sizes and does not fit tight. Therefore, it is normal for the Pallet Forks to have some movement around the throat opening when not under load.

Two Pallet Fork Installation

Refer to Figure 1-1:

1. Open throat of Pallet Forks by unscrewing swivel pad (#2) with sliding clamp handle (#1).
2. When possible, attach the Pallet Fork to a reinforced section of the bucket 8 1/2" or more right of center of the bucket. If bucket is equipped with teeth, make sure the Pallet Fork is positioned between the teeth.
3. Slide throat of Pallet Fork onto the bucket floor until front of bucket makes contact with back of throat.
4. Position the other Pallet Fork an equal distance left of center of the front loader bucket and slide throat of

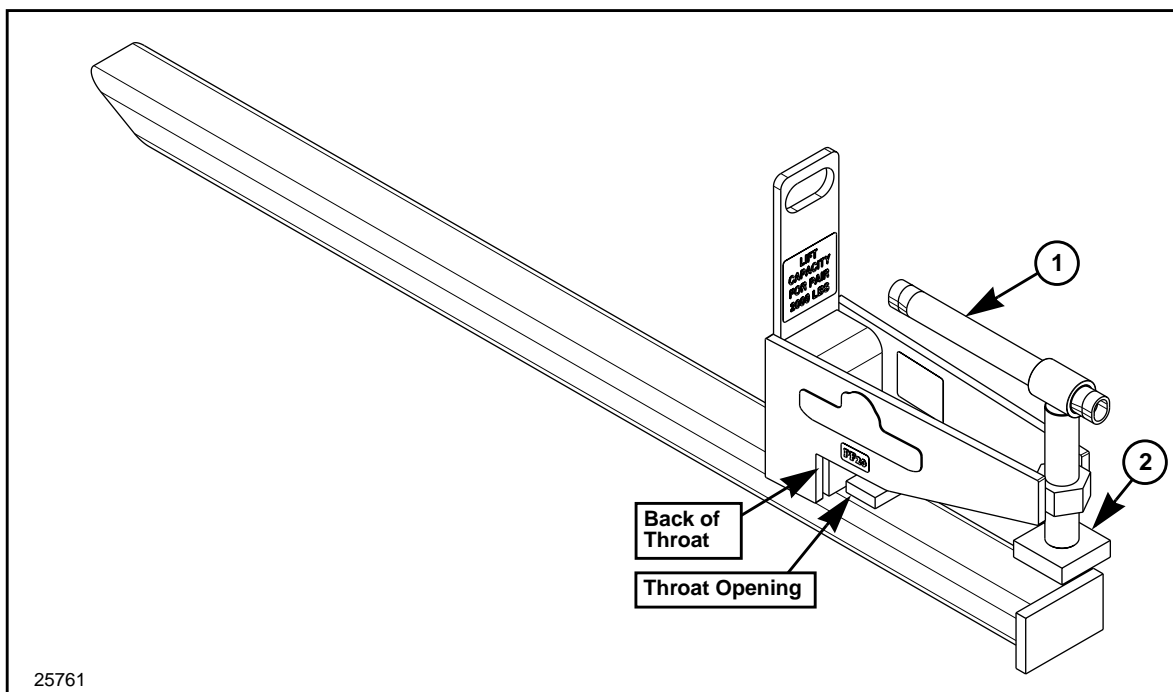
Pallet Fork onto the bucket floor until the bucket front makes contact with back of throat. If bucket is equipped with teeth, make sure the unit is positioned between the teeth when sliding it on.

5. Secure Pallet Forks to the bucket by tightening handles (#1) until swivel pad (#2) is tight against the bucket floor. Do not overtighten.

Three Pallet Fork Installation

Refer to Figure 1-1:

1. Open throat of Pallet Forks by unscrewing swivel pad (#2) with sliding clamp handle (#1).
2. Center one of the Pallet Forks in the middle of the bucket and slide throat of Pallet Fork onto the bucket floor until the bucket front makes contact with back of throat. If bucket is equipped with teeth, make sure the unit is positioned between the teeth when sliding it on.
3. Position the other two Pallet Forks an equal distance (8 1/2" or more) left and right of center fork and slide throat of Pallet Forks onto the bucket floor until the bucket front makes contact with back of throat. If bucket is equipped with teeth, make sure the units are positioned between the teeth when sliding them on.
4. Secure Pallet Forks to the bucket by tightening sliding clamp handles (#1) until swivel pad (#2) is tight against the bucket floor. Do not overtighten.



**Pallet Fork Installation
Figure 1-1**

Section 2: Operating Procedures

Operating Check List

Hazard control and accident prevention are dependent upon the awareness, concern, prudence and proper training involved in the operation, transport, maintenance and storage of the Pallet Forks. Therefore, it is absolutely essential that no one operates the Pallet Forks without first having read, fully understood and become totally familiar with the Operator's Manual. Make sure the operator has paid particular attention to:

- **Important Safety Information**, pages 1 to 3
- **Section 1: Installation**, page 6
- **Section 2: Operating Procedures**, page 7
- **Section 3: Maintenance & Lubrication**, page 9

Instructions



CAUTION

Do not use Pallet Forks for digging, pushing or pulling objects and do not use them for lifting objects except on pallets. Misuse of the Pallet Forks can damage the forks and bucket.



WARNING

Lift objects only with pallets. Make sure objects on the pallets are secure. Not using pallets can result in the load falling, damaging the machine and load, and injury to yourself and others.



WARNING

Do not lift loads that exceed the back height of the bucket or if available, bucket load guard.



WARNING

Using Pallet Forks will reduced stability of a machine. Always transport a load on the Pallet Forks low to the ground to help maintain stability of the load and machine. Follow recommendations provided by the manufacturer of the machine when adding counter weights and other ballast.



DANGER

Always keep load centered on the Pallet Forks and machine at all times, even when stopped. Otherwise, the machine could tip or the load could shift and fall causing damage to the machine, load and injury to yourself and others.



DANGER

Keep load slightly tilted back when using Pallet Forks. Rotating the front of the Pallet Forks too high can cause the load to shift and fall on the operator and others. Rotating the front of the Pallet Forks level or lower than the back can cause the load to fall forward.



DANGER

Do not drive up to anyone standing in front of a fixed object such as a wall or bench. Never assume that the brakes will stop the machine in time.



DANGER

Keep pedestrians, pets and livestock away from your work area. Objects can shift and fall from the pallets causing injury.



CAUTION

Do not allow riders on the machine, Pallet Forks, pallets and palletized loads.



DANGER

Transporting loads over ramps, grades, bumpy, soft and/or slippery surfaces will reduce machine stability and lift capacity. Transporting and lifting loads under these conditions is extremely dangerous.



DANGER

Always transport over ramps and inclines in excess of 10 percent with the load on the "uphill" side of the machine. This will require one to drive-up and back down steep inclines. Always travel straight up and down inclines and never make turns while on the incline.



DANGER

Sound a horn before traveling in reverse. Drive at a slower speed to compensate for increased blind spots.



DANGER

Use a "spotter" when it is hard to see in the direction you are traveling and when placing a load that obstructs your vision. A person could be standing or bent over in a blind spot.



DANGER

Keep equipment and pallet load away from electrical power lines. Place an orange warning sign under overhead electrical power lines indicating type of danger above.



WARNING

Always secure bucket and Skid Steers with solid supports before working under them. Never work under equipment supported by hydraulics. Hydraulics can drop equipment if controls are actuated or if hydraulic line burst. Either situation can drop machinery instantly even when power to the hydraulics is off.

Section 2: Operating Procedures

1. Make sure Pallet Forks are fully on, swivel pads are in good working condition and clamped tight to the bucket.
2. Always know the weight of the load being lifted. Never lift a load exceeding the maximum lift capacity of the Pallet Forks and machine, whichever is less. Maximum lift capacity of the machine should be approximately 17% less than the rated lift capacity due to the increased load stresses caused by the added extension of the Pallet Forks.
3. Always lower Pallet Forks to ground level before dismounting from the machine. Follow manufacturer's recommendations when dismounting and parking the machine.
4. Always store Pallet Forks in a secure position so that they will not fall over.
5. Always stack pallets in such a manner that they will not tip or fall.

Pallet Fork Operation

Picking up a load

1. Make sure the load does not exceed forklift capacity.
2. Center forks under the pallet to evenly distribute the weight.
3. Make sure the load is balanced and secure.
4. Check for overhead obstructions.
5. Stop completely before positioning the forks at the correct height.
6. Drive into the load as far as possible.
7. Lift the load slightly and tilt it back.
8. Back out slowly to clear racks or other obstacles.
9. Lower load to safe traveling height (two to four inches above the floor) before moving.

Traveling with a load

1. Pedestrians always have the right of way.
2. Keep the load tilted back slightly.
3. Keep the forks low, two to four inches above the floor, if possible.
4. Continually scan all sides for pedestrians or other traffic.
5. If the load is large and blocks your view, travel in reverse.
6. Always drive at a safe speed and slow down when going around corners. Avoid sudden braking.
7. Leave enough clearance when turning so the Pallet Forks and load do not contact obstacles such as buildings, trees or fences.
8. When traveling over a ramp or incline, keep the load on the "uphill" side of the forklift.
9. If possible, travel straight up and down on grades, ramps, or inclines and avoid turning.
10. Lift or lower the load only when stopped, never when traveling.

Placing a load

1. Stop in front of desired location.
2. Slowly raise load to required height.
3. Move forward slowly with load raised.
4. Position load for placement, tilting it forward to level.
5. Place load square and straight.
6. Before backing, check all sides for pedestrians or other traffic.
7. Once the load has settled, back up slowly.
8. Make sure the forks clear the pallet before turning or changing fork height.
9. Lower forks before moving again.

General Operating Instructions

By now you should have familiarized yourself with the operator's manual for your PF10 or PF20 Bucket Mounted Pallet Forks. If you haven't, please do so now. Then proceed by getting onto the seat of your tractor or loader and starting it up. It isn't going to take you long to learn how to use your new Land Pride Pallet Forks, but we do recommend that you take a little time to practice lifting, lowering, maneuvering, and placing an empty pallet on a level site just until you gain enough confidence and skill to develop a good feel for what you are doing. We can not begin to overstress the importance of following the safety operating procedures that are spelled out in the operator's manual.

As you quickly become more skilled and adept in using your PF10 or PF20 Pallet forks, you will soon learn that "it is always more important to focus on the don'ts than it is to focus on the dos". For example don't exceed the lift capacity of your forks, tractor or loader. Don't lift your load too high creating an unstable load and unsafe situation. Don't tilt your load too far backwards, setting up a situation that could cause your load to roll or spill backwards onto you, the tractor and the operator's platform. Don't drive too fast for your ground and load conditions. Don't work on or around slippery or sloped areas that could cause you to lose control of the tractor or the load. Don't allow pedestrians, pets or livestock to approach the danger zone of your working area. Don't leave you tractor or loader with the forks or a load raised off of the ground.

If you follow these few safety reminders you will find that you will quickly become very adept, handy and skillful at using your PF10 and PF20 Land Pride Pallet Forks. See the Features and Benefits section of this Operator's Manual for additional information.

Section 3: Maintenance & Lubrication

Maintenance

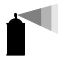



Proper servicing and adjustment is the key to the long life of any implement. With careful and systematic inspection, you can avoid costly maintenance, time and repair.

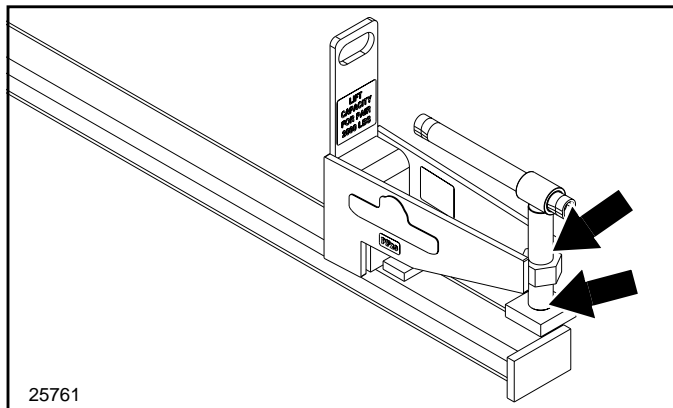
After using your Pallet Forks for a few lifts, check clamps to be sure they are tight.

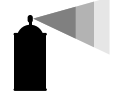

Replace any worn, damaged or illegible safety labels by obtaining new labels from your Land Pride Dealer.

Lubrication

Lubrication Legend

| | | | |
|--|---|---|--|
|  Multi-purpose spray lube |  Multi-purpose grease lube |  Multi-purpose oil lube |  Intervals at which lubrication is required |
|--|---|---|--|



| | |
|---|--|
|  |  As Required |
|---|--|

Thrusts & Bearing Surface

Multi-purpose Spray Lube
Quantity = As needed

PF10 & PF20 Pallet Forks

| Description | Model PF10 | Model PF20 |
|--|---|------------|
| Lift Capacity Per Set of 2 Pallet Forks | 1,000 lbs. | 2,000 lbs. |
| Tine Length | 31 5/8" | 35 5/8" |
| Weight Each | 45 lbs. | 55 lbs. |
| Tine Width | 3" | |
| Tine Height | 2" | |
| Threaded Clamp Rod | 1 1/4" - 7" | |
| Throat Opening | 1 1/2" | |
| Throat Depth | 10 3/4" | |
| Sliding Clamp Handles | 9" Arm Length (Center of screw to end of arm) | |

Section 5: Features and Benefits

PF10 & PF20 Skid Steer Pallet Forks

| Features | Benefits |
|--|--|
| Large clamp spacing | Stabilizes forks and spreads load across a wider area. |
| Large sliding clamp handles | Makes clamping easier and insures tight secure fit. |
| Tall rear uprights | Keep loads from slipping backwards. |
| Swiveling top and hinged bottom | Insures easy fit and function. |
| Compact design | Makes for low cost shipping with UPS delivery capability. |
| Two capacities and two sizes | Meets most needs for low cost fork lift handling on customers own front loader or skid steer loader. |



Torque Values Chart For Common Bolt Size

| Bolt Size (Inches) in-tpi ¹ | Bolt Head Identification | | | | | | Bolt Size (Metric) mm x pitch | Bolt Head Identification | | | | | |
|--|--------------------------|--------------------|---------|-------|---------|-------|--|--------------------------|-------|-----------|-------|------------|-------|
| | Grade 2 | | Grade 5 | | Grade 8 | | | Class 5.8 | | Class 8.8 | | Class 10.9 | |
| | N · m | ft-lb ³ | N · m | ft-lb | N · m | ft-lb | | N · m | ft-lb | N · m | ft-lb | N · m | ft-lb |
| 1/4" - 20 | 7.4 | 5.6 | 11 | 8 | 16 | 12 | M 5 X 0.8 | 4 | 3 | 6 | 5 | 9 | 7 |
| 1/4" - 28 | 8.5 | 6 | 13 | 10 | 18 | 14 | M 6 X 1 | 7 | 5 | 11 | 8 | 15 | 11 |
| 5/16" - 18 | 15 | 11 | 24 | 17 | 33 | 25 | M 8 X 1.25 | 17 | 12 | 26 | 19 | 36 | 27 |
| 5/16" - 24 | 17 | 13 | 26 | 19 | 37 | 27 | M 8 X 1 | 18 | 13 | 28 | 21 | 39 | 29 |
| 3/8" - 16 | 27 | 20 | 42 | 31 | 59 | 44 | M10 X 1.5 | 33 | 24 | 52 | 39 | 72 | 53 |
| 3/8" - 24 | 31 | 22 | 47 | 35 | 67 | 49 | M10 X 0.75 | 39 | 29 | 61 | 45 | 85 | 62 |
| 7/16" - 14 | 43 | 32 | 67 | 49 | 95 | 70 | M12 X 1.75 | 58 | 42 | 91 | 67 | 125 | 93 |
| 7/16" - 20 | 49 | 36 | 75 | 55 | 105 | 78 | M12 X 1.5 | 60 | 44 | 95 | 70 | 130 | 97 |
| 1/2" - 13 | 66 | 49 | 105 | 76 | 145 | 105 | M12 X 1 | 90 | 66 | 105 | 77 | 145 | 105 |
| 1/2" - 20 | 75 | 55 | 115 | 85 | 165 | 120 | M14 X 2 | 92 | 68 | 145 | 105 | 200 | 150 |
| 9/16" - 12 | 95 | 70 | 150 | 110 | 210 | 155 | M14 X 1.5 | 99 | 73 | 155 | 115 | 215 | 160 |
| 9/16" - 18 | 105 | 79 | 165 | 120 | 235 | 170 | M16 X 2 | 145 | 105 | 225 | 165 | 315 | 230 |
| 5/8" - 11 | 130 | 97 | 205 | 150 | 285 | 210 | M16 X 1.5 | 155 | 115 | 240 | 180 | 335 | 245 |
| 5/8" - 18 | 150 | 110 | 230 | 170 | 325 | 240 | M18 X 2.5 | 195 | 145 | 310 | 230 | 405 | 300 |
| 3/4" - 10 | 235 | 170 | 360 | 265 | 510 | 375 | M18 X 1.5 | 220 | 165 | 350 | 260 | 485 | 355 |
| 3/4" - 16 | 260 | 190 | 405 | 295 | 570 | 420 | M20 X 2.5 | 280 | 205 | 440 | 325 | 610 | 450 |
| 7/8" - 9 | 225 | 165 | 585 | 430 | 820 | 605 | M20 X 1.5 | 310 | 230 | 650 | 480 | 900 | 665 |
| 7/8" - 14 | 250 | 185 | 640 | 475 | 905 | 670 | M24 X 3 | 480 | 355 | 760 | 560 | 1050 | 780 |
| 1" - 8 | 340 | 250 | 875 | 645 | 1230 | 910 | M24 X 2 | 525 | 390 | 830 | 610 | 1150 | 845 |
| 1" - 12 | 370 | 275 | 955 | 705 | 1350 | 995 | M30 X 3.5 | 960 | 705 | 1510 | 1120 | 2100 | 1550 |
| 1-1/8" - 7 | 480 | 355 | 1080 | 795 | 1750 | 1290 | M30 X 2 | 1060 | 785 | 1680 | 1240 | 2320 | 1710 |
| 1 1/8" - 12 | 540 | 395 | 1210 | 890 | 1960 | 1440 | M36 X 3.5 | 1730 | 1270 | 2650 | 1950 | 3660 | 2700 |
| 1 1/4" - 7 | 680 | 500 | 1520 | 1120 | 2460 | 1820 | M36 X 2 | 1880 | 1380 | 2960 | 2190 | 4100 | 3220 |
| 1 1/4" - 12 | 750 | 555 | 1680 | 1240 | 2730 | 2010 | ¹ in-tpi = nominal thread diameter in inches-threads per inch ² N · m = newton-meters ³ ft-lb= foot pounds ⁴ mm x pitch = nominal thread diameter in millimeters x thread pitch | | | | | | |
| 1 3/8" - 6 | 890 | 655 | 1990 | 1470 | 3230 | 2380 | | | | | | | |
| 1 3/8" - 12 | 1010 | 745 | 2270 | 1670 | 3680 | 2710 | | | | | | | |
| 1 1/2" - 6 | 1180 | 870 | 2640 | 1950 | 4290 | 3160 | | | | | | | |
| 1 1/2" - 12 | 1330 | 980 | 2970 | 2190 | 4820 | 3560 | | | | | | | |

Torque tolerance + 0%, -15% of torquing values. Unless otherwise specified use torque values listed above.



Warranty

Land Pride warrants to the original purchaser that this Land Pride product will be free from defects in material and workmanship beginning on the date of purchase by the end user according to the following schedule when used as intended and under normal service and conditions for personal use.

Overall Unit: One year Parts and Labor

This Warranty is limited to the replacement of any defective part by Land Pride and the installation by the dealer of any such replacement part, and does not cover common wear items. Land Pride reserves the right to inspect any equipment or parts which are claimed to have been defective in material or workmanship.

This Warranty does not apply to any part or product which in Land Pride's judgment shall have been misused or damaged by accident or lack of normal maintenance or care, or which has been repaired or altered in a way which adversely affects its performance or reliability, or which has been used for a purpose for which the product is not designed. Misuse also specifically includes failure to properly maintain oil levels, grease points, and driveline shafts.

Claims under this Warranty should be made to the dealer which originally sold the product and all warranty adjustments must be made through an authorized Land Pride dealer. Land Pride reserves the right to make changes in materials or design of the product at any time without notice.

This Warranty shall not be interpreted to render Land Pride liable for damages of any kind, direct, consequential, or contingent to property. Furthermore, Land Pride shall not be liable for damages resulting from any cause beyond its reasonable control. This Warranty does not extend to loss of crops, any expense or loss for labor, supplies, rental machinery or for any other reason.

No other warranty of any kind whatsoever, express or implied, is made with respect to this sale; and all implied warranties of merchantability and fitness for a particular purpose which exceed the obligations set forth in this written warranty are hereby disclaimed and excluded from this sale.

This Warranty is not valid unless registered with Land Pride within 30 days from the date of purchase by the end user.



Corporate Office: P.O. Box 5060
Salina, Kansas 67402-5060 USA
www.landpride.com
