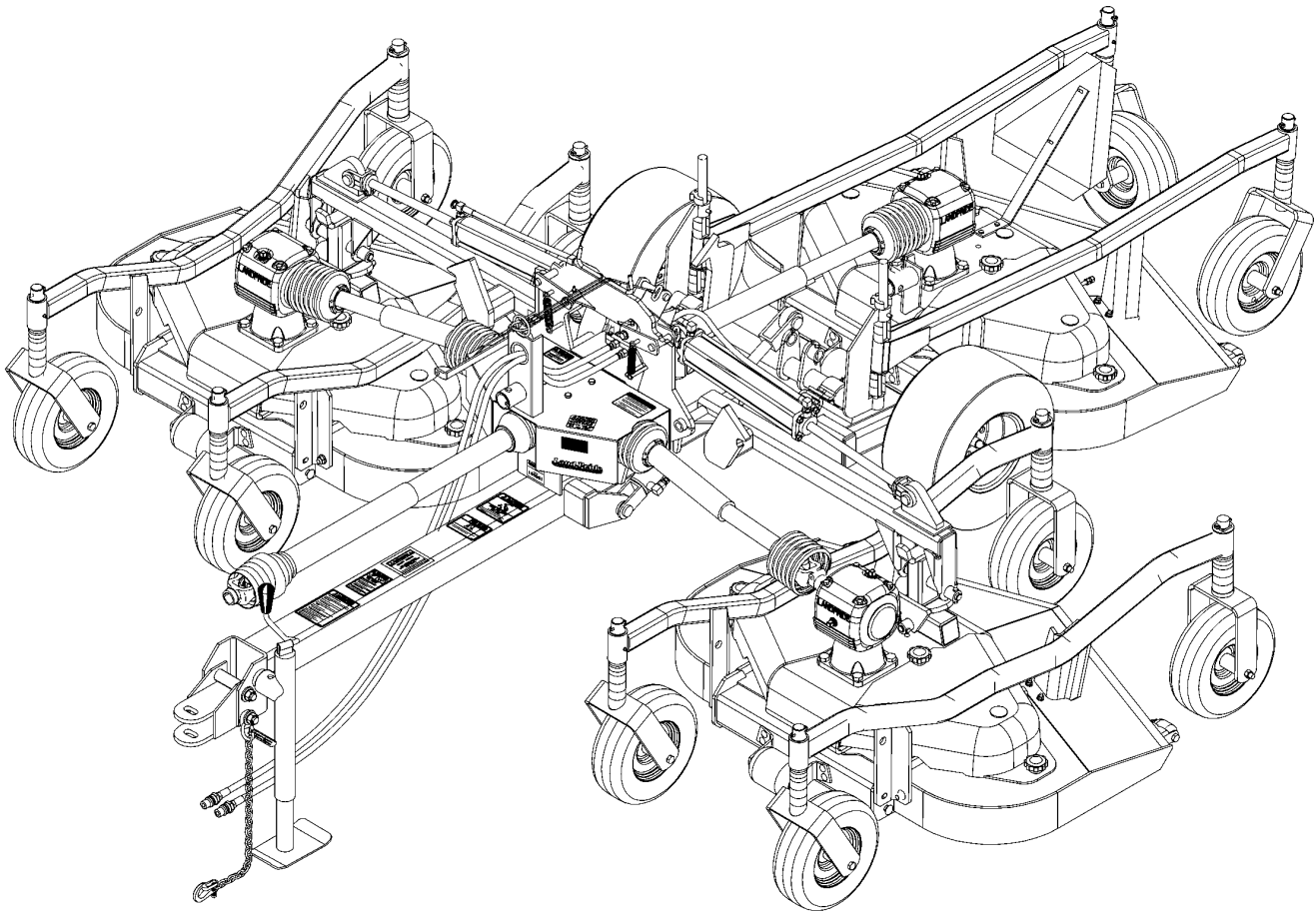


# All-Flex Mower

---

**AFM4211**



19628

## **315-507P** **Parts Manual**



Read the Operator's manual entirely. When you see this symbol, the subsequent instructions and warnings are serious - follow without exception. Your life and the lives of others depend on it!

© Copyright 2007 Printed 11/06/07

Cover photo may show optional equipment not supplied with standard unit.





# Table of Contents

<b>Section 1: Introduction.....</b>	<b>4</b>	Hydraulic Cylinder (810-150C) Midway.....	70
Using This Manual.....	4	Hydraulic Cylinder (810-150C) Red Lion.....	72
Manual Replacement Information.....	4	<b>Section 8: Labels.....</b>	<b>74</b>
Manual Revisions.....	4	Label Placement Page 1 of 2.....	74
Touch-up Paint.....	4	Label Placement Page 2 of 2.....	76
Hardware Legend.....	5	 	
Replacement Hardware.....	5	<b>Part Number Index.....</b>	<b>78</b>
Serial Numbers.....	5		
Part Number Service Coding.....	5		
<b>Section 2: Frame.....</b>	<b>6</b>		
Center Deck Pivot.....	6		
Frame.....	8		
Pull Latch Cord Lock-Up.....	10		
Right Hand and Left Hand Deck Pivot.....	12		
Transport Frame Tire and Hub.....	14		
<b>Section 3: Decks.....</b>	<b>16</b>		
Belt Drive Center Deck.....	16		
Belt Drive Left Hand Deck.....	18		
Belt Drive Right Hand Deck.....	20		
Center Deck.....	22		
Left Hand Deck.....	26		
Right Hand Deck.....	28		
<b>Section 4: Gauge Wheels.....</b>	<b>30</b>		
Gauge Wheel Center Deck.....	30		
Gauge Wheel Right Hand Deck.....	32		
Gauge Wheel Tire (814-172C).....	34		
Gauge Wheels Left Hand Deck.....	36		
<b>Section 5: Drivelines.....</b>	<b>38</b>		
Driveline Arrangement.....	38		
Driveline Center Deck (826-127C) Walterscheid.....	40		
Driveline Center Deck (826-373C) Eurocardan.....	42		
Driveline CV (826-125C) Walterscheid.....	44		
Driveline CV (826-369C) Eurocardan.....	46		
Driveline Left & Right Hand Deck (826-126C) Walterscheid.....	48		
Driveline Left & Right Hand Deck (826-372C) Eurocardan.....	50		
Driveline Slip Clutch (053313).....	52		
Driveline Slip Clutch (1465305) Eurocardan.....	54		
Driveline Slip Clutch (1465605) Eurocardan.....	56		
<b>Section 6: Gearboxes.....</b>	<b>58</b>		
Gearbox 4-Way Splitter (826-274C) OMNI (S/N 361755+).....	58		
Gearbox 4-Way Splitter Box (826-124C) Comer.....	60		
Gearbox Center & Right Deck (826-327C) Comer.....	62		
Gearbox Left Deck (826-326C) Comer.....	64		
<b>Section 7: Hydraulics.....</b>	<b>66</b>		
Hydraulic Arrangement.....	66		
Hydraulic Cylinder (810-005C) Energy.....	68		

© Copyright 2007. All rights reserved.

Land Pride provides this publication "as is" without warranty of any kind, either expressed or implied. While every precaution has been taken in the preparation of this manual, Land Pride assumes no responsibility for errors or omissions. Neither is any liability assumed for damages resulting from the use of the information contained herein. Land Pride reserves the right to revise and improve its products as it sees fit. This publication describes the state of this product at the time of its publication, and may not reflect the product in the future. The illustrations in this manual are not intended for safe and proper assembly or disassembly of equipment. The illustrations are intended for ordering parts only.

Land Pride is registered trademark.

All other brands and product names are trademarks or registered trademarks of their respective holders.

Printed in the United States of America.



# Alphabetized Table of Contents

---

<b>B</b>	
	Belt Drive Center Deck.....16
	Belt Drive Left Hand Deck.....18
	Belt Drive Right Hand Deck.....20
<b>C</b>	
	Center Deck.....22
	Center Deck Pivot.....6
<b>D</b>	
	Driveline Arrangement.....38
	Driveline Center Deck (826-127C) Walterscheid.....40
	Driveline Center Deck (826-373C) Eurocardan.....42
	Driveline CV (826-125C) Walterscheid.....44
	Driveline CV (826-369C) Eurocardan.....46
	Driveline Left & Right Hand Deck (826-126C) Walterscheid.....48
	Driveline Left & Right Hand Deck (826-372C) Eurocardan.....50
	Driveline Slip Clutch (053313).....52
	Driveline Slip Clutch (1465305) Eurocardan.....54
	Driveline Slip Clutch (1465605) Eurocardan.....56
<b>F</b>	
	Frame.....8
<b>G</b>	
	Gauge Wheel Center Deck.....30
	Gauge Wheel Right Hand Deck.....32
	Gauge Wheel Tire (814-172C).....34
	Gauge Wheels Left Hand Deck.....36
	Gearbox 4-Way Splitter (826-274C) OMNI (S/N 361755+).....58
	Gearbox 4-Way Splitter Box (826-124C) Comer.....60
	Gearbox Center & Right Deck (826-327C) Comer.....62
	Gearbox Left Deck (826-326C) Comer.....64
<b>H</b>	
	Hydraulic Arrangement.....66
	Hydraulic Cylinder (810-005C) Energy.....68
	Hydraulic Cylinder (810-150C) Midway.....70
	Hydraulic Cylinder (810-150C) Red Lion.....72
<b>L</b>	
	Label Placement Page 1 of 2.....74
	Label Placement Page 2 of 2.....76
	Left Hand Deck.....26
<b>P</b>	
	Pull Latch Cord Lock-Up.....10
<b>R</b>	
	Right Hand and Left Hand Deck Pivot.....12
	Right Hand Deck.....28
<b>T</b>	
	Transport Frame Tire and Hub.....14

# General Information

## Using This Manual

This manual is divided into sections. The first section contains General Information. The remaining sections divide the machine into segments (i.e. Frames, Drives, Hydraulics, etc.) which illustrate and list all parts. A Parts Number Index is located at the back of the book.

The Land Pride parts in this manual are specially designed for this machine and should be replaced with Land Pride parts only.

The information in this manual is current at time of printing. Some parts may change to assure top performance.

Right-hand and left-hand as used in this manual are determined by facing the direction the machine will travel while in use.

Below is an example of two facing pages from a parts manual. Familiarize yourself with the type of information contained on these pages.

## Manual Replacement Information

Replacement manuals are available. Refer to our website at [www.landpride.com](http://www.landpride.com), the Land Pride Support Center CD or e-mail us at [lit@landpride.com](mailto:lit@landpride.com) for additional information. Our website continues to provide the most up-to-date manuals available.

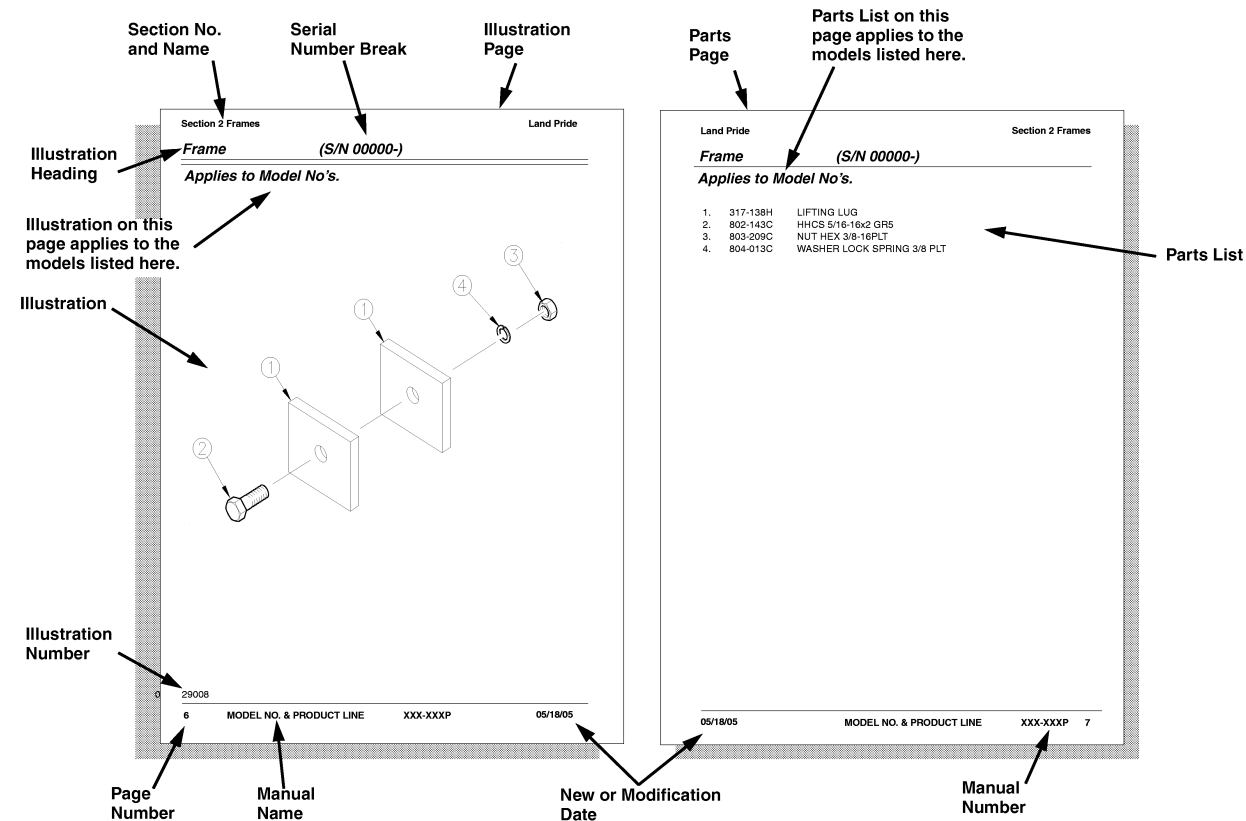
## Touch-up Paint

Repaint parts where paint is worn or scratched to prevent rust. Aerosol cans and touch-up bottles with brush applicator are available through your local dealer. Land Pride color descriptions and part numbers are listed below. Also available are quart and gallon size paints. Add QT or GL to end of the Aerosol P/N.

Color	Product <sup>1</sup>	Aerosol	Touch-Up
Gloss Black	LP	821-032C	821-032CTU
Medium Gloss Black	UV	821-053C	821-053CTU
Beige	LP	821-011C	821-011CTU
Green	SLP	821-058C	821-058CTU
Orange	SLP	821-066C	821-066CTU
Red	SLP/UV	821-054C	821-054CTU
Blue	SLP/UV	821-067C	821-067CTU
Dark Green Sparkle	UV	821-055C	821-055CTU
Gondo Forest Green	UV	821-057C	821-057CTU
Brite Yellow <sup>2</sup>	UV	821-056C	821-056CTU
Gondo Yellow <sup>3</sup>	UV	821-059C	821-059CTU

Notes:

- 1 LP = All Land Pride Products except Utility Vehicles  
SLP = Select Land Pride Products that are available in optional Green, Orange, Red, & Blue colors.  
UV = Utility Vehicles
- 2 Used on Trekers and (Runabouts with S/N 407628-)
- 3 Used on Gondos and (Runabouts with S/N 407629+)



## General Information

### Hardware Legend

<b>AR</b>	As Required
<b>BLADE</b>	Blade Bolt
<b>C</b>	Cap Screw
<b>CP</b>	Cotter Pin
<b>CPHSSS</b>	Cup Point Hex Socket Set Screw
<b>CPSHSS</b>	Cup Point Square Head Set Screw
<b>CPSQHSS</b>	Cup Point Square Head Set Screw
<b>CRFCHMS3</b>	Cross Recess Flat Countersunk Head Machine Screw
<b>CRPHMS</b>	Cross Recess Pan Head Machine Screw
<b>CRPHTF</b>	Cross Recess Pan Head Thread Forming
<b>CRRHMS</b>	Cross Recess Round Head Machine Screw
<b>CRTHMS</b>	Cross Recess Truss Head Machine Screw
<b>CSNB</b>	Countersunk Square Neck Bolt
<b>FHMS</b>	Flat Head Machine Screw
<b>FTC</b>	Full Thread Cap Screw
<b>H</b>	Hex Nut
<b>HCLN</b>	Hex Center Lock Nut
<b>HFLCS</b>	Hex Flange Lock Cap Screw
<b>HFS</b>	Hex Flange Screw
<b>HFSLN</b>	Hex Flange Serrated Lock Nut
<b>HFSS</b>	Hex Flange Serrated Screw
<b>HHCS</b>	Hex Head Cap Screw or Metric Bolt
<b>HSBHCS</b>	Hex Socket Button Head Cap Screw
<b>HSFCHCS</b>	Hex Socket Flat Countersunk Head Cap Screw
<b>HSHCS</b>	Hex Socket Head Cap Screw
<b>HSSS</b>	Hex Socket Head Screw
<b>HTLN</b>	Hex Top Lock Nut
<b>HWHCS</b>	Hex Washer Head Cap Screw

<b>HWHMS</b>	Hex Washer Head Machine Screw
<b>HXBHCS</b>	Hex Socket Button Head Cap Screw
<b>J</b>	Hex Jam Nut
<b>JIC</b>	37 Degree Tapered Thread
<b>L</b>	Helical Spring Lock Washer
<b>LUG</b>	Lug Bolt
<b>NFC</b>	National Fine Cap Screw
<b>NPSM</b>	National Pipe Straight Mechanical
<b>NPTF</b>	National Pipe Taper Fuel
<b>P</b>	Wide Plain Washer
<b>PHMS</b>	Pan Head Machine Screw
<b>PLOW</b>	Plow Bolt
<b>RHMS</b>	Round Head Machine Screw
<b>RHSNB</b>	Round Head Square Neck Bolt
<b>SCREW LEVELING</b>	Leveling Screw
<b>SCREW THUMB</b>	Thumb Screw
<b>SCREW WELD</b>	Weld Screw
<b>SFCHMS</b>	Slotted Flat Countersunk Head Machine Screw
<b>SFHMS</b>	Slotted Fillister Head Machine Screw
<b>SP</b>	Special
<b>SP SCREW</b>	Special Screw
<b>SQHSS</b>	Square Head Set Screw
<b>SRHMS</b>	Slotted Round Head Machine Screw
<b>SSS</b>	Socket Set Screw
<b>STCS</b>	Self Tapping Cap Screw
<b>STHMS</b>	Slotted Truss Head Machine Screw
<b>WHEEL</b>	Wheel Studs and Hub Long Bolts
<b>WING</b>	Wing Bolt

### Replacement Hardware

The **Hardware Legend** above lists hardware abbreviations used in the parts list. All bolts and nuts are Grade 5 unless otherwise noted. The use of improper grades of hardware can result in personal injury, damage to equipment, or loss of property.

### Colored Replacement Parts

Land Pride offers replacement parts in factory standard colors and also on select models in Green, Orange, Red and Blue. Because of the variety of colors available, special attention must be given to the part number to prevent ordering the wrong replacement part.

A suffix number corresponding to one of the colors below must be added at the end of Land Pride's part number when ordering a replacement part with that color.

**81 . . . . . Green      83 . . . . . Red**  
**82 . . . . . Orange    84 . . . . . Blue**

For example, if you are ordering a replacement part with part number 555-555C and the part you need is red, then add the suffix 83 to the end of the number to make the part number read 555-555C83. Parts ordered without a suffix number will be supplied in factory standard colors.

### Black Replacement Parts

Some parts are factory standard black and some must be special ordered black. If your part is special ordered black, a second part number with the additional suffix number 85 on the end will be available. In this situation you must order that part with the suffix number for it to be black. Parts that are factory standard black will not have the suffix number.

### Part Number Service Coding

Within the parts list some part numbers are coded for revisions and interchangeability. See notations in revision column.

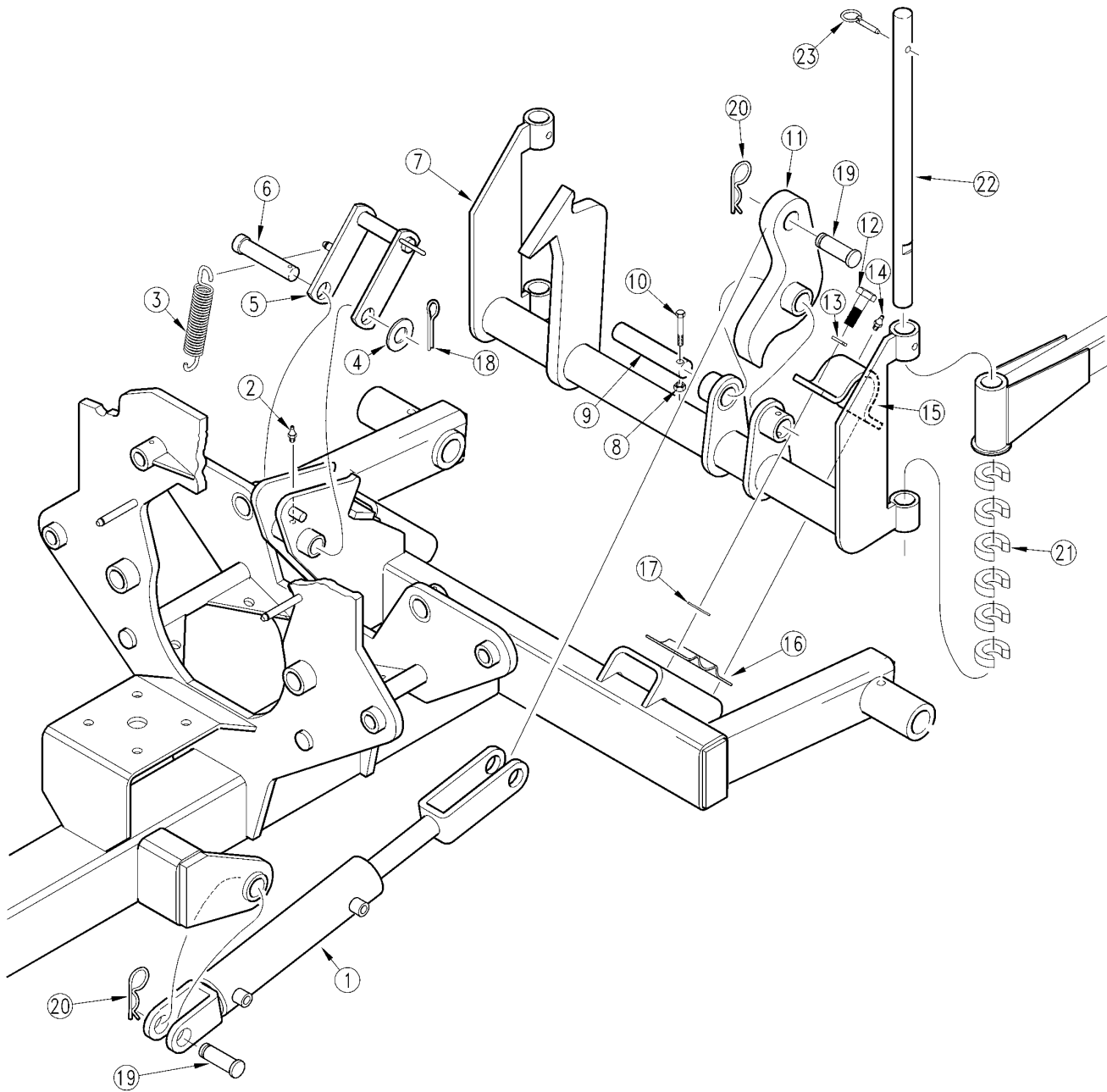
### Serial Numbers

Always use the serial and model number when ordering parts. Refer to the Operator's Manual for serial number plate location.

- |                      |  |
|----------------------|--|
| (S/N 20001+)         | Includes serial numbers 20001 and above (to the latest number)   |
| (S/N 10001 to 20000) | Includes serial numbers between and including 10001 and 20000    |
| (S/N 10000-)         | Includes serial numbers 10000 and below (to the earliest number) |

# Center Deck Pivot

Applies to AFM4211



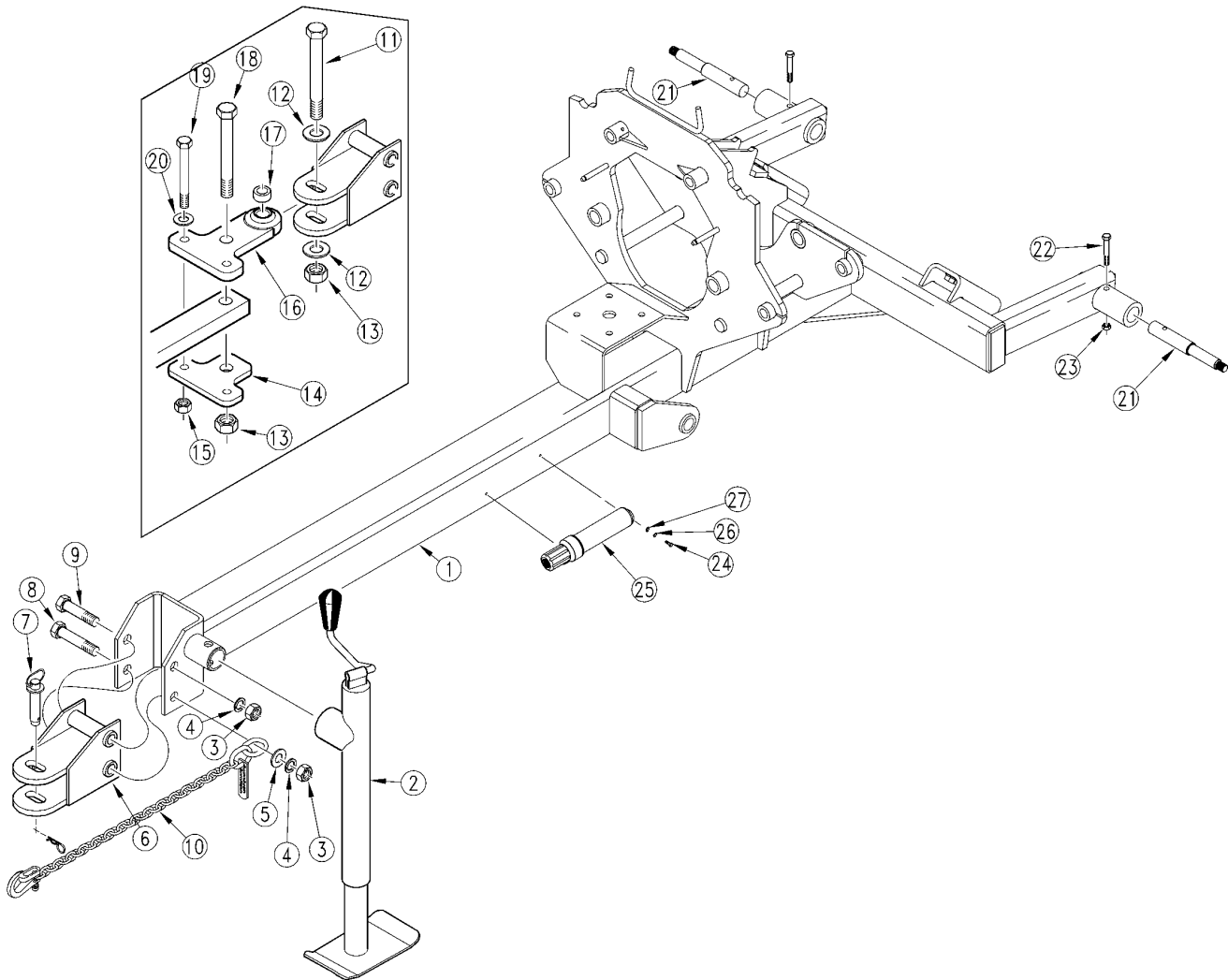
19902

**Center Deck Pivot****Applies to AFM4211**

<b>Ref</b>	<b>Part No.</b>	<b>Part Description</b>	<b>Comments</b>	<b>Revision</b>
	dwg19902	Drawing Image Number		
1.	810-005C	CYL 2X8X1.12 ROD SINGLE ACTING		
2.	800-080C	GREASE ZERK 1/4-28 THD FORMING		
3.	807-026C	PIVOT STOP SPRING		
4.	804-025C	WASHER FLAT 3/4 SAE PLT		
5.	315-175H	DECK LOCK-UP LATCH		
6.	805-228C	PIN CLEVIS 3/4 X 3 3/4 USEABLE		
7.	315-136H	REAR DECK PIVOT TUBE AFM133		
8.	803-007C	NUT LOCK 1/4-20 PLT		
9.	315-487D	REAR DECK CYL LUG PIN		
10.	802-152C	HHCS 1/4-20X2 GR5		
11.	315-183H	REAR DECK CYL LUG WELD		
12.	802-091C	HHCS 1/2-13X1 1/2 GR5		
13.	804-015C	WASHER LOCK SPRING 1/2 PLT		
14.	800-001C	GREASE ZERK STRAIGHT 1/4-28		
15.	175-061D	PUSH, PIVOT TUBE HALF CLAMP		
16.	175-060D	PIVOT TUBE WEAR PAD		
17.	804-016C	WASHER FLAT 1/2 SAE PLT		
18.	805-045C	PIN COTTER 5/32 X 1 1/4 LG		
19.	805-004C	PIN CLEVIS 1 X 2 3/4 USABLE LG		
20.	805-088C	PIN, HAIR COTTER 3/16 WIRE DIA		
21.	315-544D	C SPACER COLLAR 1/2 THK X 1 ID		
22.	315-543D	11' CEN DCK CARRIER ROD W/GRV		
23.	805-126C	PIN LYNCH 1/4 X 1 3/4 PLT		

# Frame

Applies to AFM4211



19789

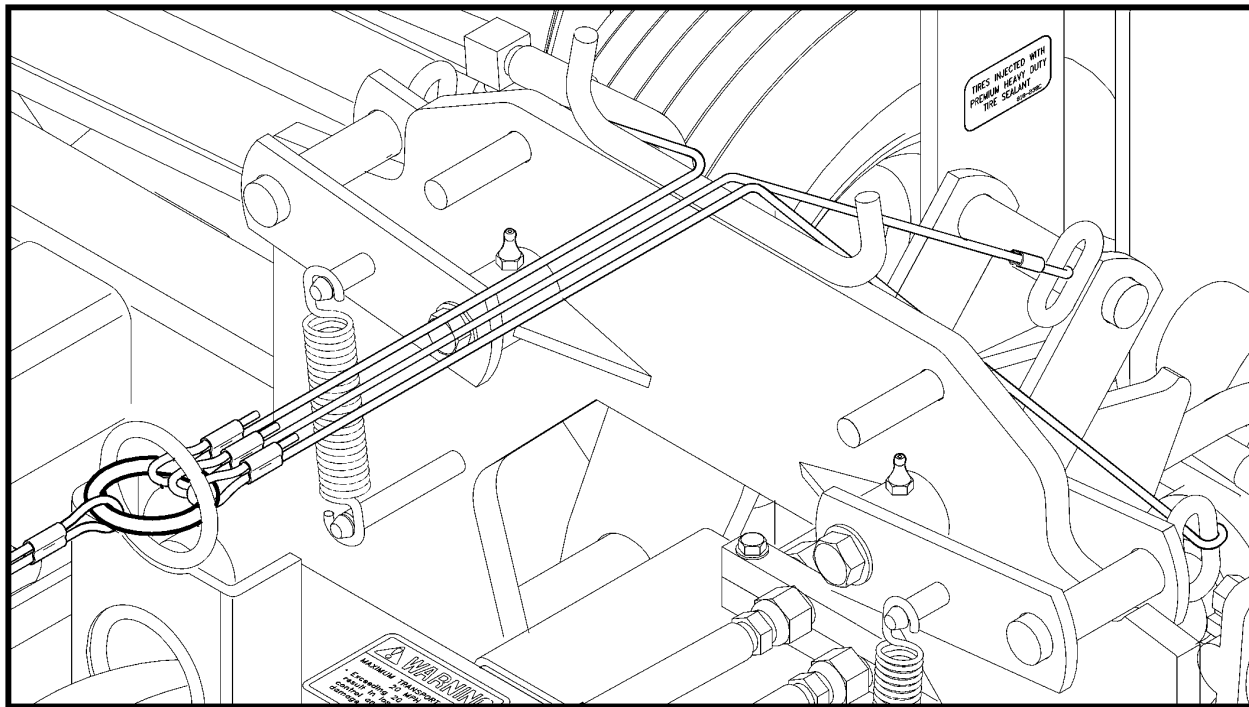
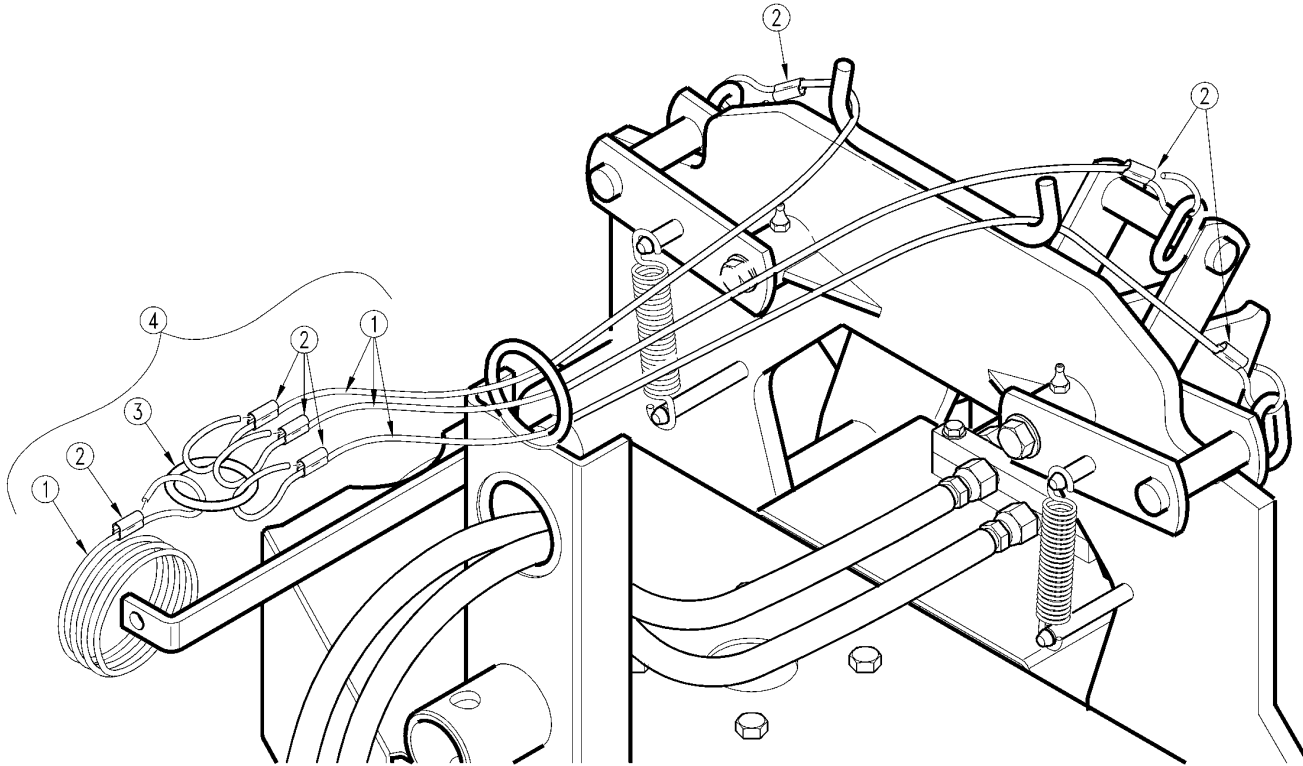


**Frame****Applies to AFM4211**

Ref	Part No.	Part Description	Comments	Revision
	dwg19789	Drawing Image Number		
1.	315-449H	AFM4011 TRANSPORT FRAME		
2.	890-118C	SCREW JACK 2000#		
3.	803-027C	NUT HEX 3/4-10 PLT		
4.	804-023C	WASHER LOCK SPRING 3/4 PLT		
5.	401-372D	WASHER, SAFETY CHAIN	(S/N 503871+)	
5.	804-024C	WASHER FLAT 3/4 USS PLT	(S/N 503870-)	
6.	315-274H	FRONT HITCH LUG WELDMENT		
7.	805-081C	PIN HITCH 3/4 X 4 3/8		
8.	802-095C	HHCS 3/4-10X7 GR5		
9.	802-360C	HHCS 3/4-10X6 1/2		
10.	890-182C	SAFETY CHAIN 10000 LB	When Ordering New Chain Also Order 401-372D	
11.	802-205C	HHCS 1-8X5 1/2 GR5	Option	
12.	804-016C	WASHER FLAT 1/2 SAE PLT	Option	
13.	803-038C	NUT HEX 1-8 NYLON INSERT PLT	Option	
14.	315-754D	BALL SWIVEL MOUNT BOTTOM PLATE	Option	
15.	803-148C	NUT HEX NYLOCK 5/8-11 PLT	Option	
16.	315-369H	BALL SWIVEL MOUNT PLATE	Option	
17.	315-753D	HITCH SPACER TUBE	Option	
18.	802-235C	HHCS 1-8X5 GR5	Option	
19.	802-060C	HHCS 5/8-11X4 GR5	Option	
20.	804-019C	WASHER FLAT 5/8 USS PLT	Option	
21.	315-768D	SPINDLE 1in		
22.	802-114C	HHCS 3/8-16X2 1/2 GR5		
23.	803-013C	NUT LOCK 3/8-16 PLT		
24.	802-283C	HHCS 1/4-20X1/2 GR2	(S/N _____+)	
25.	816-504C	MANUAL STORAGE CONTAINER	(S/N _____+)	
26.	804-006C	WASHER LOCK SPRING 1/4 PLT	(S/N _____+)	
27.	804-007C	WASHER FLAT 1/4 SAE PLT	(S/N _____+)	

# Pull Latch Cord Lock-Up

Applies to AFM4211



12691

***Pull Latch Cord Lock-Up***

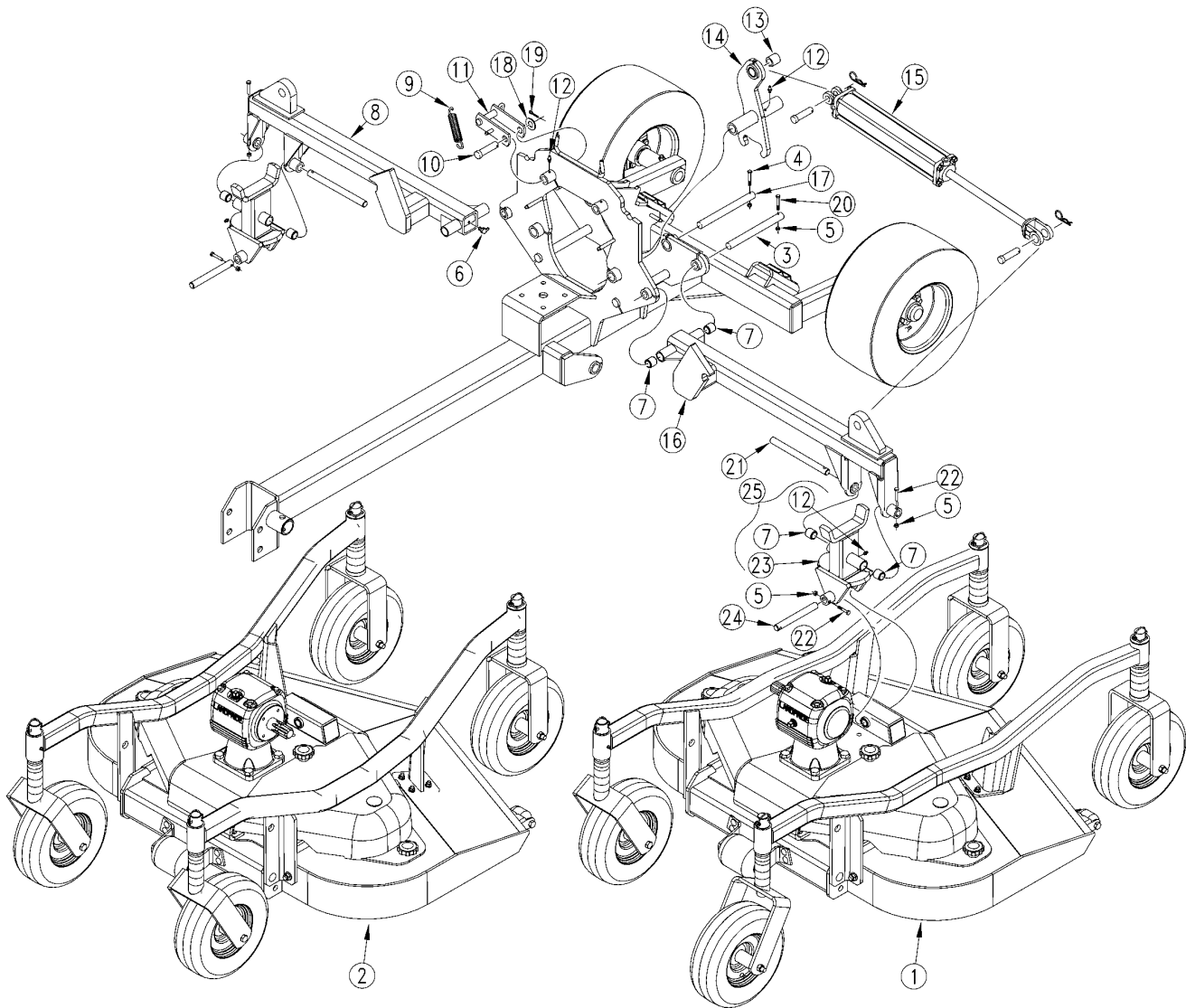
---

**Applies to AFM4211**

<b>Ref</b>	<b>Part No.</b>	<b>Part Description</b>	<b>Comments</b>	<b>Revision</b>
	dwg12691	Drawing Image Number		
1.	890-337C	CORD-PARACHUTE 3/16 DIA.	Right hand 30" Long; Left hand 30" Long and Center 30" Long. Frame to Tractor 120" Long. Total Length 18 Ft. Sold only in 12" increments	
2.	890-589C	5/32 I.D. OVAL SLEEVE		
3.	890-332C	WELDED RING 1/4 X 2		
4.	315-166S	DECK LATCH PULL ROPE ASSEMBLY		
		NOTE: When Installing Cord to Deck Latches Be Sure to Apply Tension to Cord For Poper Operation.		

# Right Hand and Left Hand Deck Pivot

Applies to AFM4211

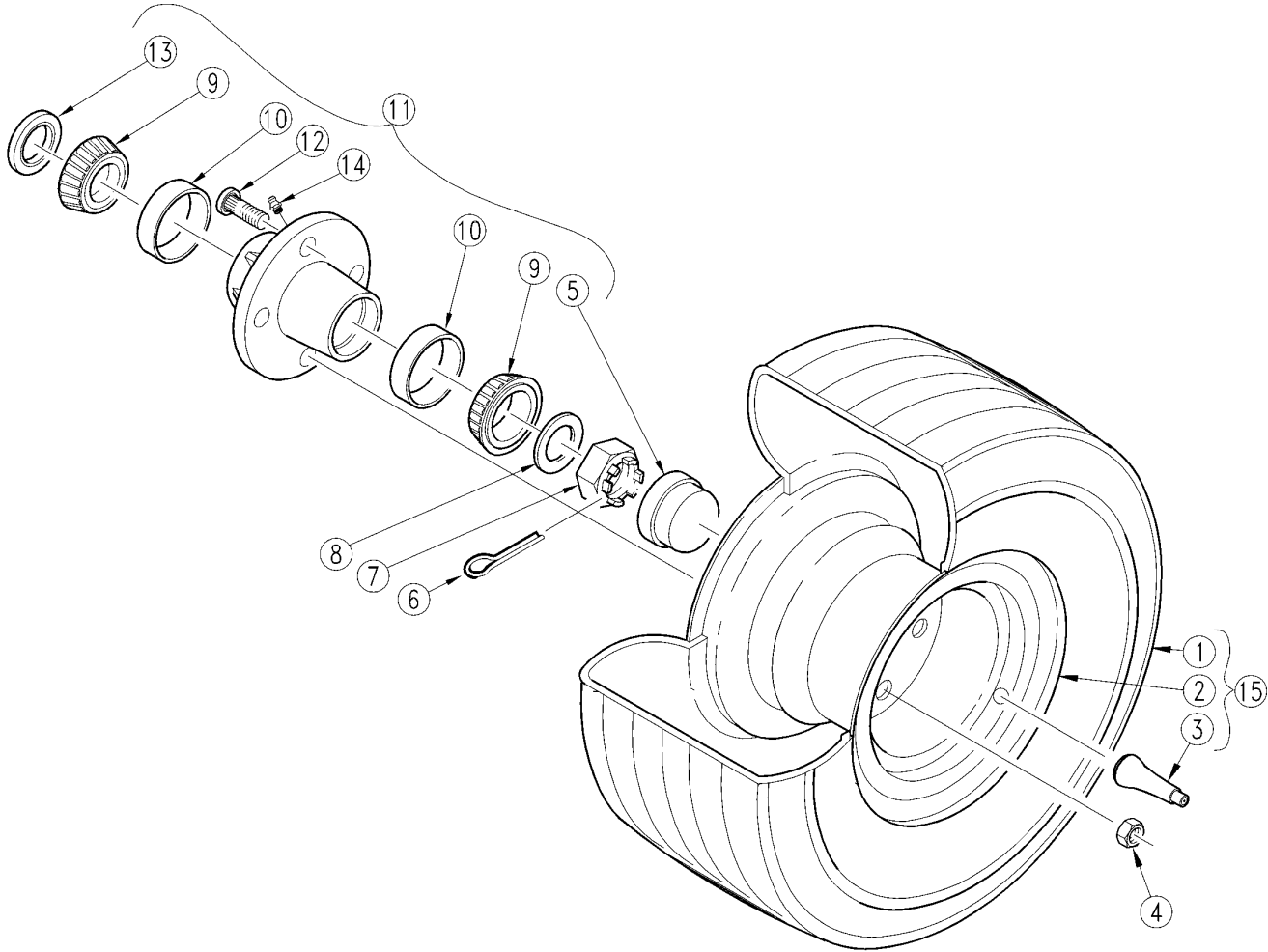


**Right Hand and Left Hand Deck Pivot****Applies to AFM4211**

<b>Ref</b>	<b>Part No.</b>	<b>Part Description</b>	<b>Comments</b>	<b>Revision</b>
	dwg19817	Drawing Image Number		
1.	315-476A	AFM4211 LH. DECK ASSY.		
2.	315-475A	AFM4211 RH. DECK ASSY.		
3.	315-486D	TOOLBAR PIN		
4.	802-152C	HHCS 1/4-20X2 GR5		
5.	803-007C	NUT LOCK 1/4-20 PLT		
6.	800-136C	ZERK 1/4-28 X 45 DEG SELF-TAP		
7.	890-331C	BUSHING 1 X 3/4 X 1		
8.	315-134H	R.H. TOOLBAR AFM133		
9.	807-026C	PIVOT STOP SPRING		
10.	805-142C	PIN CLEVIS 3/4 X 3 1/2 PLT		
11.	315-142H	DECK LOCK-UP LATCH AFM133		
12.	800-080C	GREASE ZERK 1/4-28 THD FORMING		
13.	890-005C	BUSHING CYL 1 1/4 X 1 X 1		
14.	315-137H	WING CYL FLEX LUG AFM133		
15.	810-150C	CYL 2.5X12X1.25 ROD (TIE ROD)		
16.	315-135H	L.H. TOOLBAR AFM133		
17.	315-485D	WING CYLINDER LUG PIN		
18.	804-025C	WASHER FLAT 3/4 SAE PLT		
19.	805-045C	PIN COTTER 5/32 X 1 1/4 LG		
20.	802-370C	HHCS 1/4-20X1 3/4 GR5		
21.	315-488D	DECK TO TOOLBAR PIN		
22.	802-167C	HHCS 1/4-20X1 1/2 GR5		
23.	315-474H	WELDMENT FLOATING LINK		
24.	315-852D	PIVOT PIN .75DIA.		
25.	315-473S	ASSEMBLY FLOATING LINK		

# Transport Frame Tire and Hub

Applies to AFM4211



12645

***Transport Frame Tire and Hub***

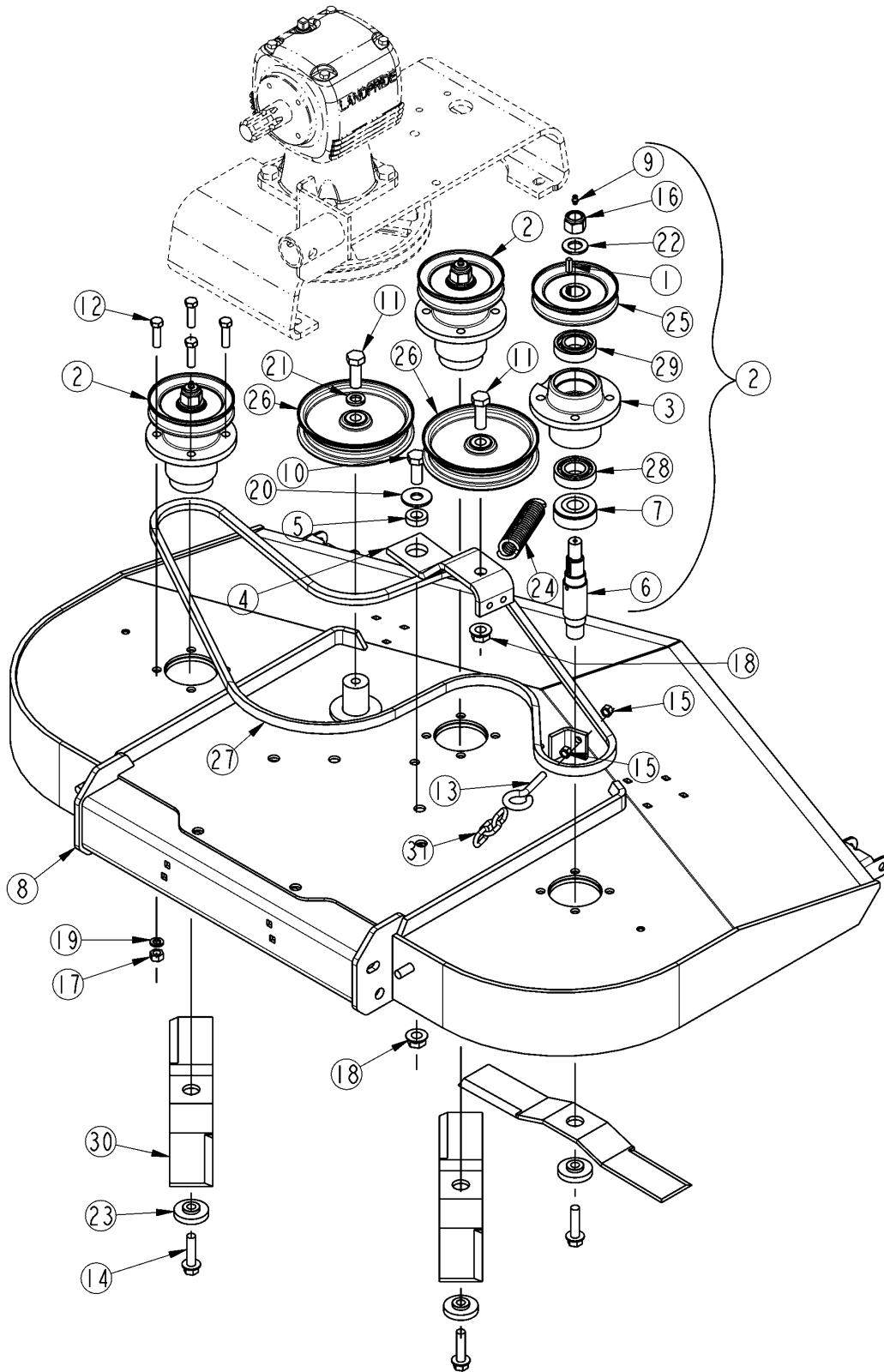
---

**Applies to AFM4211**

<b>Ref</b>	<b>Part No.</b>	<b>Part Description</b>	<b>Comments</b>	<b>Revision</b>
	dwg12645	Drawing Image Number		
1.	10-097	CARLISLE TIRE 18 X 9.5-8 4PLY		
2.	492107	CARLISLE RIM FOR 18X9.5-8 TIRE		
3.	TR-412	T1. VALVE MARTIN		
4.	803-159C	NUT LUG 1/2-20 X 60 DEG PLT		
5.	890-068C	GREASE CAP		
6.	805-045C	PIN COTTER 5/32 X 1 1/4 LG		
7.	803-053C	NUT HEX SLOTTED 3/4-16		
8.	804-025C	WASHER FLAT 3/4 SAE PLT		
9.	822-030C	BEARING CONE 1		
10.	822-080C	BEARING CUP L44610		
11.	815-104C	HUB 4-BOLT W/ZERK COMPLETE		
12.	802-125C	BHSNB 1/2-20X1 3/8 GR5		
13.	816-014C	TINE GAUGE WHEEL HUB SEAL		
14.	800-001C	GREASE ZERK STRAIGHT 1/4-28		
15.	814-118C	TIRE & WHL ASSY 18X9.50-8 4PLY		

# Belt Drive Center Deck

Applies to AFM4211



20657

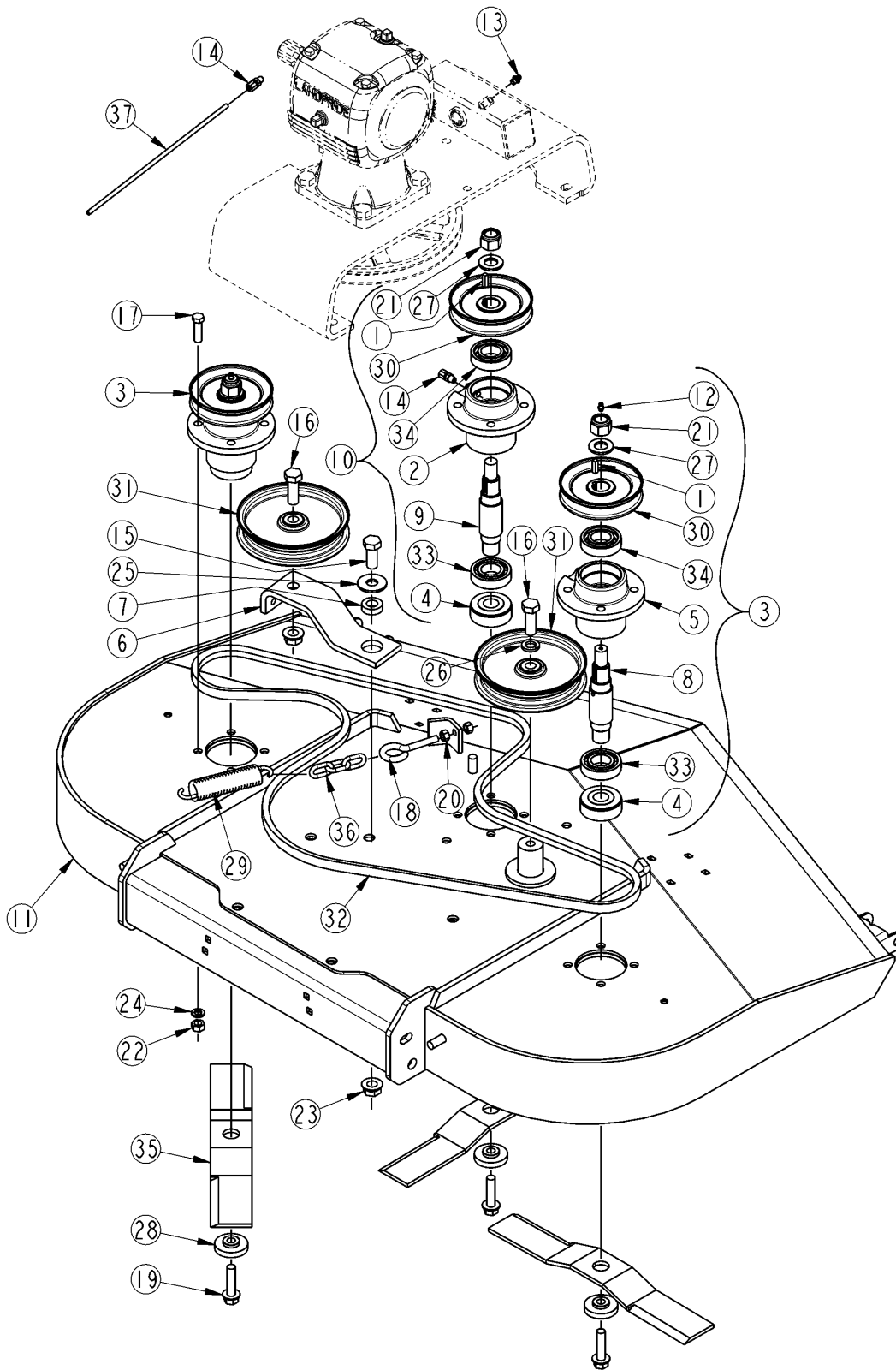


**Belt Drive Center Deck****Applies to AFM4211**

<b>Ref</b>	<b>Part No.</b>	<b>Part Description</b>	<b>Comments</b>	<b>Revision</b>
	dwg20657	Drawing Image Number		
1.	172-242D	1/4 SQ. KEY X 7/8 LG		
2.	310-251S	CCW TG SPNDL HUB ASSY 5" PULL		
3.	310-457D	BLADE HUB MACHINED TOP GREASE		
4.	310-493D	SPRING IDLER BRACKET		
5.	310-494D	SPACER BUSHING		
6.	310-631D	BLADE SPINDLE SHAFT CCW TG		
7.	315-494D	BLADE HUB C.C.W.		
8.	315-505H	WELDMENT DECK CCW		
8.	315-505H81	WELDMENT DECK CCW GREEN		
8.	315-505H82	WELDMENT DECK CCW ORANGE		
8.	315-505H83	WELDMENT DECK CCW RED		
8.	315-505H84	WELDMENT DECK CCW BLUE		
9.	800-001C	GREASE ZERK STRAIGHT 1/4-28		
10.	802-051C	HHCS 5/8-11X1 1/2 GR5		
11.	802-053C	HHCS 5/8-11X1 3/4 GR5		
12.	802-229C	HHCS 7/16-20X1 1/2 GR8		
13.	802-668C	EYE BOLT OPEN 3/8-16X3 1/2		
14.	802-696C	HFS 1/2-20X2 LH GR8		
15.	803-014C	NUT HEX 3/8-16 PLT		
16.	803-114C	NUT LOCK 3/4-16 NYLOC COLLAR		
17.	803-115C	NUT HEX 7/16-20 PLT		
18.	803-263C	NUT HEX FLANGE LOCK 5/8-11 PLT		
19.	804-014C	WASHER LOCK 7/16 PLT		
20.	804-019C	WASHER FLAT 5/8 USS PLT		
21.	804-022C	WASHER LOCK SPRING 5/8 PLT		
22.	804-093C	WASHER FLAT 3/4 HARD ASTM436		
23.	804-110C	WASHER BLADE 2ODX.56THKX.51ID		
24.	807-068C	SPRING EXT BELT HANDLE		
25.	808-075C	B-GROOVE PULLEY 5 O.D.		
26.	808-129C	FLAT IDLER 6" PULLEY (6 3/4 OD		
27.	816-142C	V-BELT B93 95.75 E.L. KEVLAR		
28.	822-006C	BEARING 206		
29.	822-161C	BEARING 6206 W/ METAL SHIELD		
30.	890-326C	MWR BLD 1/4X16 7/8SD ML CCW		
30.	890-322C	MWR BLD 1/4X16 7/8SD HL CCW		
30.	890-324C	MWR BLD 1/4X16 7/8SD LL CCW		
30.	890-701C	MWR BLD MULCH 1/4X16.87SD CCW		
31.	890-641C	CHAIN WELD 1/4 PROOF X 3 LINK		

# Belt Drive Left Hand Deck

Applies to AFM4211



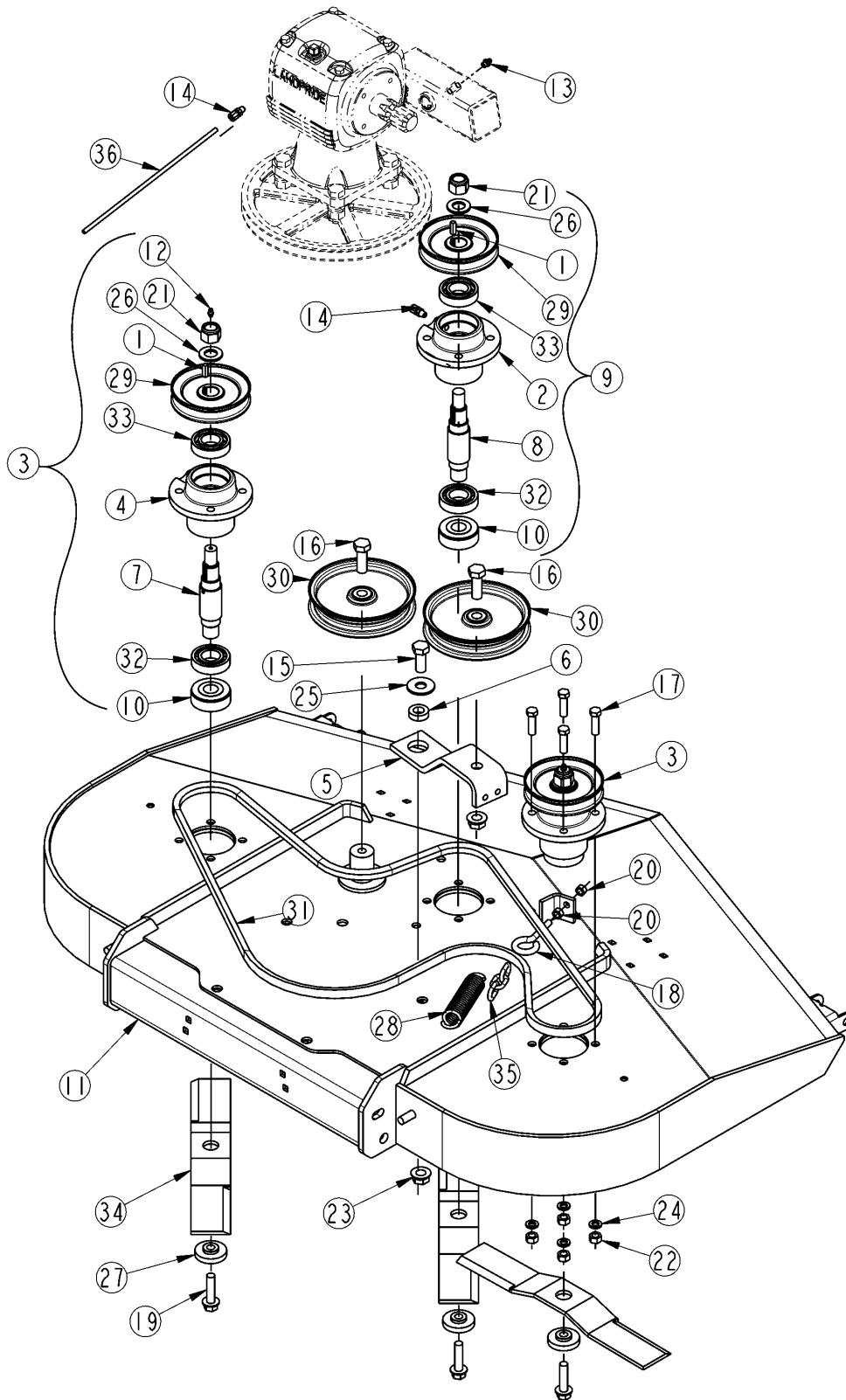
20653

**Belt Drive Left Hand Deck****Applies to AFM4211**

Ref	Part No.	Part Description	Comments	Revision
	dwg20653	Drawing Image Number		
1.	172-242D	1/4 SQ. KEY X 7/8 LG		
2.	310-224D	BLADE HUB - MACH		
3.	310-248S	CW TG SPINDLE HUB ASSY 5" PULL		
4.	310-300D	BLADE HUB - 7/8		
5.	310-457D	BLADE HUB MACHINED TOP GREASE		
6.	310-493D	SPRING IDLER BRACKET		
7.	310-494D	SPACER BUSHING		
8.	310-349S	SPDL 310-630D CW W/BOLT		
9.	310-348S	SPDL 310-637D CW W/BOLT		
10.	315-375S	CW SPINDLE HUB ASSEMBLY 5IN.		
11.	315-504H	WELDMENT DECK CW		
11.	315-504H81	WELDMENT DECK CW GREEN		
11.	315-504H82	WELDMENT DECK CW ORANGE		
11.	315-504H83	WELDMENT DECK CW RED		
11.	315-504H84	WELDMENT DECK CW BLUE		
12.	800-001C	GREASE ZERK STRAIGHT 1/4-28		
13.	800-130C	GREASE ZERK STRAIGHT 1/8-27NPT		
14.	800-372C	FTG TUBE, PUSH CONNECT 1/8NPT	S/N _____ +	
14.	800-157C	FTG TUBE,CONNECTOR 1/8 MNPT	S/N _____ -	
15.	802-051C	HHCS 5/8-11X1 1/2 GR5		
16.	802-053C	HHCS 5/8-11X1 3/4 GR5		
17.	802-229C	HHCS 7/16-20X1 1/2 GR8		
18.	802-668C	EYE BOLT OPEN 3/8-16X3 1/2		
19.	802-695C	HFS 1/2-20X2 GR8	Right Hand Threads	
20.	803-014C	NUT HEX 3/8-16 PLT		
21.	803-114C	NUT LOCK 3/4-16 NYLOC COLLAR		
22.	803-115C	NUT HEX 7/16-20 PLT		
23.	803-263C	NUT HEX FLANGE LOCK 5/8-11 PLT		
24.	804-014C	WASHER LOCK 7/16 PLT		
25.	804-019C	WASHER FLAT 5/8 USS PLT		
26.	804-022C	WASHER LOCK SPRING 5/8 PLT		
27.	804-093C	WASHER FLAT 3/4 HARD ASTM436		
28.	804-110C	WASHER BLADE 2ODX.56THKX.51ID		
29.	807-068C	SPRING EXT BELT HANDLE		
30.	808-075C	B-GROOVE PULLEY 5 O.D.		
31.	808-129C	FLAT IDLER PULLEY 6 3/4 O.D.		
32.	816-142C	V-BELT B93 95.75 E.L. KEVLAR		
33.	822-006C	BEARING 206		
34.	822-161C	BEARING 6206 W/ METAL SHIELD		
35.	890-325C	MWR BLD 1/4X16 7/8SD ML CW	Standard	
35.	890-219C	MWR BLD 1/4X16 7/8SD HL CW		
35.	890-323C	MWR BLD 1/4X16 7/8SD LL CW		
35.	890-700C	MWR BLD MULCH 1/4X16.87SD CW		
36.	890-641C	CHAIN WELD 1/4 PROOF X 3 LINK		
37.	990-109R	TUBE NYLON 1/4OD X 062WL	Order Per Foot as Required	

# Belt Drive Right Hand Deck

Applies to AFM4211



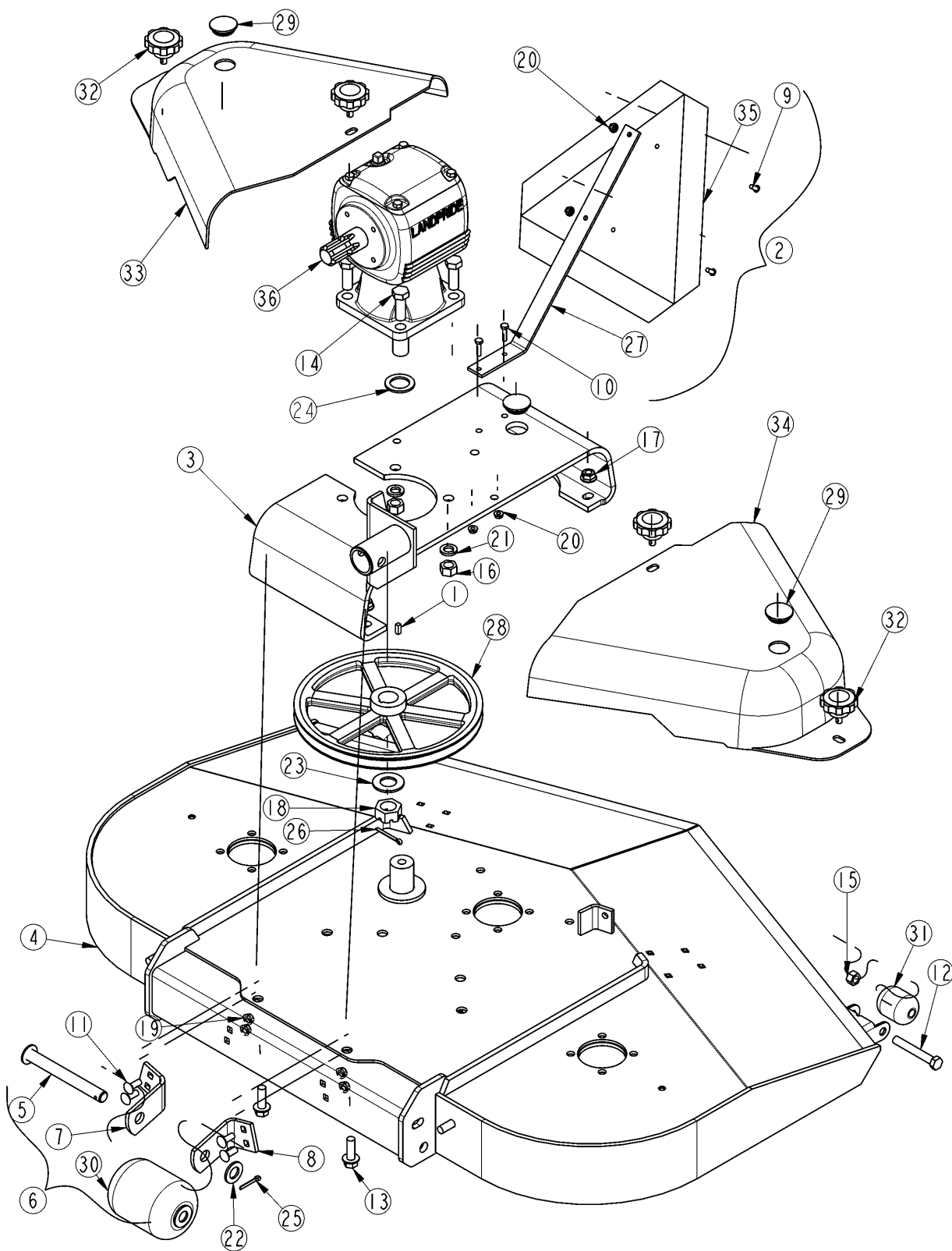
20650

**Belt Drive Right Hand Deck****Applies to AFM4211**

Ref	Part No.	Part Description	Comments	Revision
	dwg20650	Drawing Image Number		
1.	172-242D	1/4 SQ. KEY X 7/8 LG		
2.	310-224D	BLADE HUB - MACH		
3.	310-251S	CCW TG SPNDL HUB ASSY 5" PULL		
4.	310-457D	BLADE HUB MACHINED TOP GREASE		
5.	310-493D	SPRING IDLER BRACKET		
6.	310-494D	SPACER BUSHING		
7.	310-350S	SPDL 310-631D CCW W/BOLT	Include Bolt # 19	
8.	310-352S	SPDL 310-636D CCW W/BOLT	Include Bolt # 19	
9.	315-377S	CCW SPINDLE HUB ASSEMBLY 5IN.		
10.	315-494D	BLADE HUB C.C.W.		
11.	315-505H	WELDMENT DECK CCW		
11.	315-505H81	WELDMENT DECK CCW GREEN		
11.	315-505H82	WELDMENT DECK CCW ORANGE		
11.	315-505H83	WELDMENT DECK CCW RED		
11.	315-505H84	WELDMENT DECK CCW BLUE		
12.	800-001C	GREASE ZERK STRAIGHT 1/4-28		
13.	800-130C	GREASE ZERK STRAIGHT 1/8-27NPT		
14.	800-372C	FTG TUBE, PUSH CONNECT 1/8NPT	S/N _____ +	
14.	800-157C	FTG TUBE,CONNECTOR 1/8 MNPT	S/N _____ -	
15.	802-051C	HHCS 5/8-11X1 1/2 GR5		
16.	802-053C	HHCS 5/8-11X1 3/4 GR5		
17.	802-229C	HHCS 7/16-20X1 1/2 GR8		
18.	802-668C	EYE BOLT OPEN 3/8-16X3 1/2		
19.	802-696C	HFS 1/2-20X2 LH GR8	Left Hand Threads	
20.	803-014C	NUT HEX 3/8-16 PLT		
21.	803-114C	NUT HEX 3/4-16LH NYLOC COLLAR		
22.	803-115C	NUT HEX 7/16-20 PLT		
23.	803-263C	NUT HEX FLANGE LOCK 5/8-11 PLT		
24.	804-014C	WASHER LOCK 7/16 PLT		
25.	804-019C	WASHER FLAT 5/8 USS PLT		
26.	804-093C	WASHER FLAT 3/4 HARD ASTM F436		
27.	804-110C	WASHER BLADE 2ODX.56THKX.51ID		
28.	807-068C	SPRING EXT BELT HANDLE		
29.	808-075C	B-GROOVE PULLEY 5 O.D.		
30.	808-129C	FLAT IDLER PULLEY 6 3/4 O.D.		
31.	816-142C	V-BELT B93 95.75 E.L. KEVLAR		
32.	822-006C	BEARING 206		
33.	822-161C	BEARING 6206 W/ METAL SHIELD		
34.	890-326C	MWR BLD 1/4X16 7/8SD ML CCW	Standard	
34.	890-322C	MWR BLD 1/4X16 7/8SD HL CCW		
34.	890-324C	MWR BLD 1/4X16 7/8SD LL CCW		
34.	890-701C	MWR BLD MULCH 1/4X16.87SD CCW		
35.	890-641C	CHAIN WELD 1/4 PROOF X 3 LINK		
36.	990-109R	TUBE NYLON 1/4OD X 062WL	Order Per Foot as Required	

# Center Deck

Applies to AFM4211



20648

**Center Deck****Applies to AFM4211**

Ref	Part No.	Part Description	Comments	Revision
	dwg20648	Drawing Image Number		
1.	310-331D	KEY 1/4 X 11/16 LONG		
2.	315-037V	SMV PACKAGE		
3.	315-487H	WELDMENT GEARBOX MOUNT		
3.	315-487H81	WELDMENT GEARBOX MOUNT GREEN		
3.	315-487H82	WELDMENT GEARBOX MOUNT ORANGE		
3.	315-487H83	WELDMENT GEARBOX MOUNT RED		
3.	315-487H84	WELDMENT GEARBOX MOUNT BLUE		
4.	315-505H	WELDMENT DECK CCW		
4.	315-505H81	WELDMENT DECK CCW GREEN		
4.	315-505H82	WELDMENT DECK CCW ORANGE		
4.	315-505H83	WELDMENT DECK CCW RED		
4.	315-505H84	WELDMENT DECK CCW BLUE		
5.	315-515H	WLDMT. ROLLER SHAFT		
6.	315-516S	ASSY. FRONT ROLLER		
6.	315-516S81	ASSY. FRONT ROLLER GREEN		
6.	315-516S82	ASSY. FRONT ROLLER ORANGE		
6.	315-516S83	ASSY. FRONT ROLLER RED		
6.	315-516S84	ASSY. FRONT ROLLER BLUE		
7.	315-880D	ROLLER BRACKET RH.		
7.	315-880D81	ROLLER BRACKET RH. GREEN		
7.	315-880D82	ROLLER BRACKET RH. ORANGE		
7.	315-880D83	ROLLER BRACKET RH. RED		
7.	315-880D84	ROLLER BRACKET RH. BLUE		
8.	315-881D	ROLLER BRACKET LH.		
8.	315-881D81	ROLLER BRACKET LH. GREEN		
8.	315-881D82	ROLLER BRACKET LH. ORANGE		
8.	315-881D83	ROLLER BRACKET LH. RED		
8.	315-881D84	ROLLER BRACKET LH. BLUE		
9.	801-018C	SCREW RD HD 1/4-20 X 5/8		
10.	802-005C	HHCS 1/4-20X1 GR5		
11.	802-015C	RHSNB 3/8-16X1 GR5		
12.	802-041C	HHCS 1/2-13X3 1/2 GR5		
13.	802-203C	HFSS 1/2-13X1 1/2 GR5		
14.	802-246C	HHCS 5/8-18X1 3/4 GR5		
15.	803-019C	NUT LOCK 1/2-13 PLT		
16.	803-022C	NUT HEX 5/8-18 PLT		
17.	803-037C	NUT HEX WHIZ 1/2-13 PLT		
18.	803-095C	NUT HEX SLOTTED 1-14		
19.	803-198C	NUT HEX WHIZ 3/8-16 PLT		
20.	803-293C	NUT HEX FLANGE LOCK 1/4-20 PLT		
21.	804-022C	WASHER LOCK SPRING 5/8 PLT		
22.	804-025C	WASHER FLAT 3/4 SAE PLT		
23.	804-029C	WASHER FLAT 1 SAE		
24.	804-062C	WASHER MACH 1.88 X 1.25 X 10GA	as required	
25.	805-016C	PIN COTTER 3/16 X 1 1/4 PLT		
26.	805-017C	PIN COTTER 3/16 X 1 3/4 PLT		
27.	807-176C	SMV MOUNT BAR SPRING STEEL		
28.	808-336C	B-GROOVE PULLEY 12" CAST-IRON		
29.	816-298C	RUBBER PLUG 1 3/8 W/CROSS SLIT		
30.	817-082C	4 X 5 1/2 FRONT ROLLER		
31.	817-195C	ROLLER ANTI-SCALP 2 OD		
32.	817-358C	KNOB 3/8-16 MALE THD 2 3/8OD		
33.	817-441C	PLASTIC BELT GUARD RH.		
34.	817-442C	PLASTIC BELT GUARD LH.		
35.	818-055C	DECAL SLOW MOVING-GALV. BACKED		
36.	826-327C	GBOX MOWER 50 HP 1:2.8 CCW		
36.	826-327C81	GB MOWER 50 HP 1:2.8 CCW GREEN		

**Center Deck (continued)**

---

**Applies to AFM4211**

<b>Ref</b>	<b>Part No.</b>	<b>Part Description</b>	<b>Comments</b>	<b>Revision</b>
36.	826-327C82	GB MOWER 50 HP 1:2.8 CCW ORANGE		
36.	826-327C83	GB MOWER 50 HP 1:2.8 CCW RED		
36.	826-327C84	GB MOWER 50 HP 1:2.8 CCW BLUE		



***Center Deck (continued)***

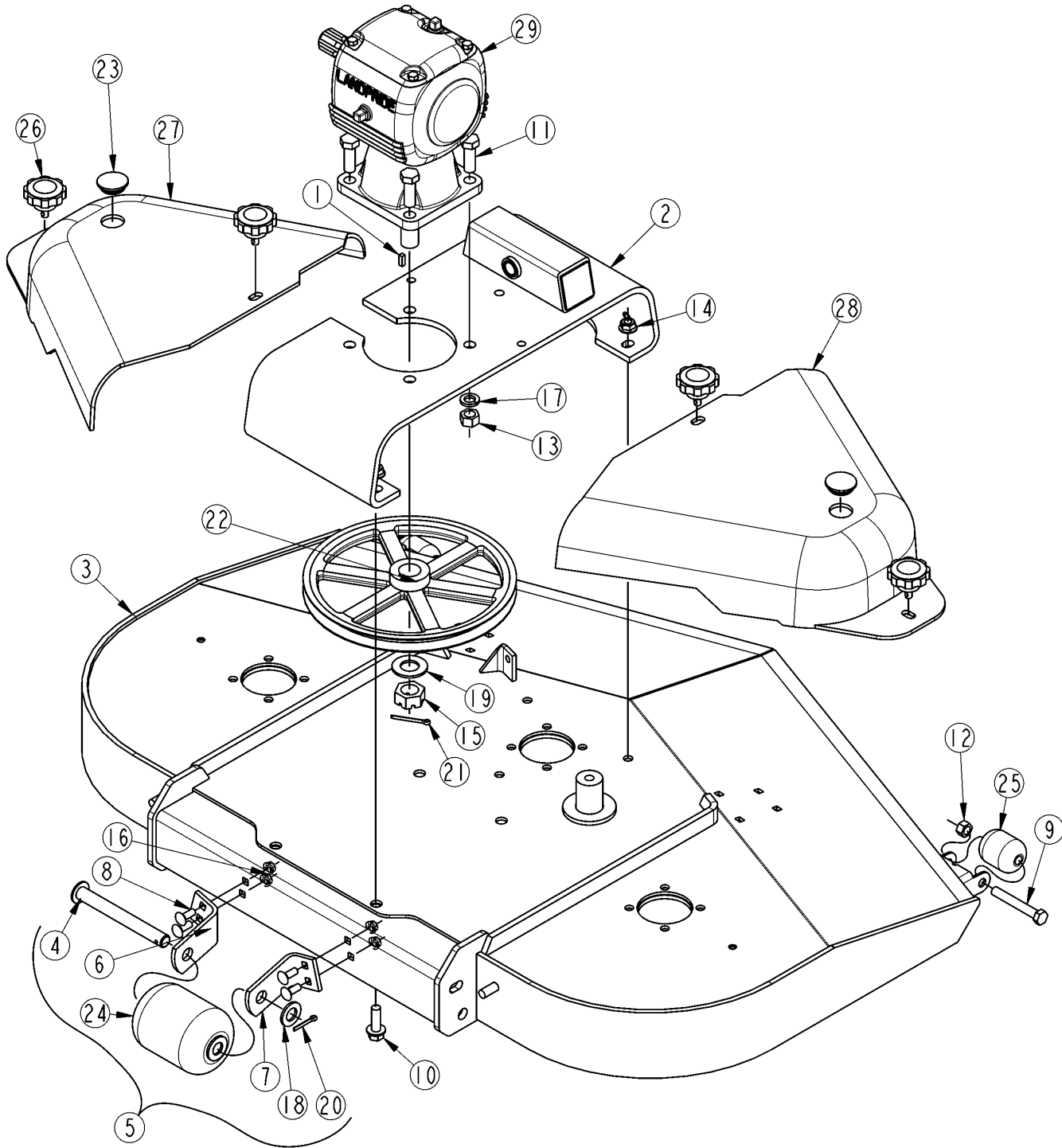
---

**Applies to AFM4211**

***This Page Intentionally Left Blank***

# Left Hand Deck

Applies to AFM4211



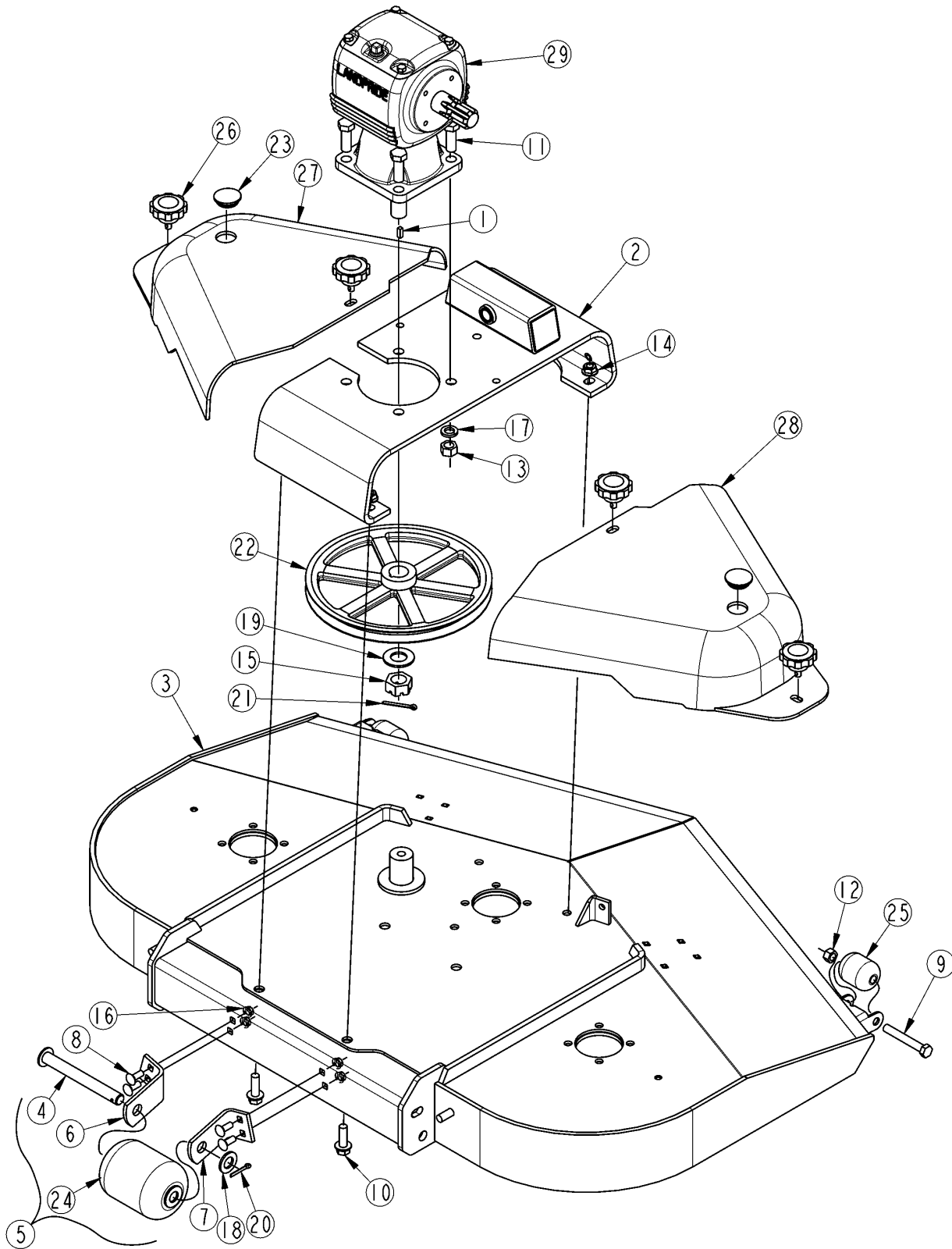
20654

**Left Hand Deck****Applies to AFM4211**

Ref	Part No.	Part Description	Comments	Revision
	dwg20654	Drawing Image Number		
1.	310-331D	KEY 1/4 X 11/16 LONG		
2.	315-482H	WELDMENT GEARBOX MOUNT OUTER		
2.	315-482H81	WELDMENT GEARBOX MOUNT OUTER GREEN		
2.	315-482H82	WELDMENT GEARBOX MOUNT OUTER ORANGE		
2.	315-482H83	WELDMENT GEARBOX MOUNT OUTER RED		
2.	315-482H84	WELDMENT GEARBOX MOUNT OUTER BLUE		
3.	315-504H	WELDMENT DECK CW		
3.	315-504H81	WELDMENT DECK CW GREEN		
3.	315-504H82	WELDMENT DECK CW ORANGE		
3.	315-504H83	WELDMENT DECK CW RED		
3.	315-504H84	WELDMENT DECK CW BLUE		
4.	315-515H	WLDMT. ROLLER SHAFT		
5.	315-516S	ASSY. FRONT ROLLER		
5.	315-516S81	ASSY. FRONT ROLLER GREEN		
5.	315-516S82	ASSY. FRONT ROLLER ORANGE		
5.	315-516S83	ASSY. FRONT ROLLER RED		
5.	315-516S84	ASSY. FRONT ROLLER BLUE		
6.	315-880D	ROLLER BRACKET RH.		
6.	315-880D81	ROLLER BRACKET RH. GREEN		
6.	315-880D82	ROLLER BRACKET RH. ORANGE		
6.	315-880D83	ROLLER BRACKET RH. RED		
6.	315-880D84	ROLLER BRACKET RH. BLUE		
7.	315-881D	ROLLER BRACKET LH.		
7.	315-881D81	ROLLER BRACKET LH. GREEN		
7.	315-881D82	ROLLER BRACKET LH. ORANGE		
7.	315-881D83	ROLLER BRACKET LH. RED		
7.	315-881D84	ROLLER BRACKET LH. BLUE		
8.	802-015C	RHSNB 3/8-16X1 GR5		
9.	802-041C	HHCS 1/2-13X3 1/2 GR5		
10.	802-203C	HFSS 1/2-13X1 1/2 GR5		
11.	802-246C	HHCS 5/8-18X1 3/4 GR5		
12.	803-019C	NUT LOCK 1/2-13 PLT		
13.	803-022C	NUT HEX 5/8-18 PLT		
14.	803-037C	NUT HEX WHIZ 1/2-13 PLT		
15.	803-095C	NUT HEX SLOTTED 1-14		
16.	803-198C	NUT HEX WHIZ 3/8-16 PLT		
17.	804-022C	WASHER LOCK SPRING 5/8 PLT		
18.	804-025C	WASHER FLAT 3/4 SAE PLT		
19.	804-029C	WASHER FLAT 1 SAE		
20.	805-016C	PIN COTTER 3/16 X 1 1/4 PLT		
21.	805-017C	PIN COTTER 3/16 X 1 3/4 PLT		
22.	808-336C	B-GROOVE PULLEY 12" CAST-IRON		
23.	816-298C	RUBBER PLUG 1 3/8 W/CROSS SLIT		
24.	817-082C	4 X 5 1/2 FRONT ROLLER		
25.	817-195C	ROLLER ANTI-SCALP 2 OD		
26.	817-358C	KNOB 3/8-16 MALE THD 2 3/8OD		
27.	817-441C	PLASTIC BELT GUARD RH.		
28.	817-442C	PLASTIC BELT GUARD LH.		
29.	826-326C	GBOX MOWER 50 HP 1:2.8 CW		
29.	826-326C81	GBOX MOWER 50 HP 1:2.8 CW GREEN		
29.	826-326C82	GBOX MOWER 50 HP 1:2.8 CW ORANGE		
29.	826-326C83	GBOX MOWER 50 HP 1:2.8 CW RED		
29.	826-326C84	GBOX MOWER 50 HP 1:2.8 CW BLUE		

# Right Hand Deck

Applies to AFM4211



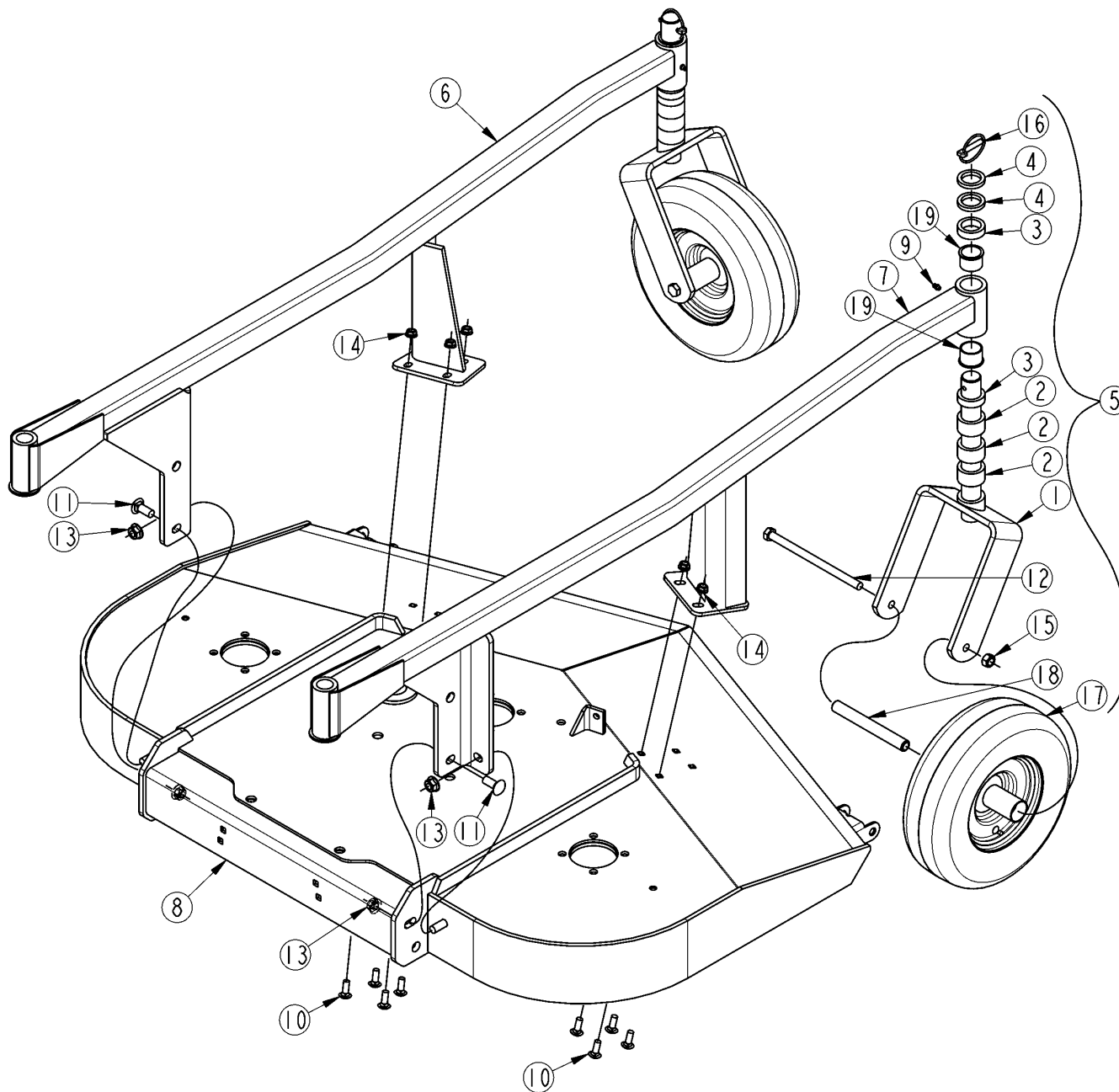
20651

**Right Hand Deck****Applies to AFM4211**

Ref	Part No.	Part Description	Comments	Revision
	dwg20651	Drawing Image Number		
1.	310-331D	KEY 1/4 X 11/16 LONG		
2.	315-482H	WELDMENT GEARBOX MOUNT OUTER		
2.	315-482H81	WELDMENT GEARBOX MOUNT OUTER GREEN		
2.	315-482H82	WELDMENT GEARBOX MOUNT OUTER ORANGE		
2.	315-482H83	WELDMENT GEARBOX MOUNT OUTER RED		
2.	315-482H84	WELDMENT GEARBOX MOUNT OUTER BLUE		
3.	315-505H	WELDMENT DECK CCW		
3.	315-505H81	WELDMENT DECK CCW GREEN		
3.	315-505H82	WELDMENT DECK CCW ORANGE		
3.	315-505H83	WELDMENT DECK CCW RED		
3.	315-505H84	WELDMENT DECK CCW BLUE		
4.	315-515H	WLDMT. ROLLER SHAFT		
5.	315-516S	ASSY. FRONT ROLLER		
5.	315-516S81	ASSY. FRONT ROLLER GREEN		
5.	315-516S82	ASSY. FRONT ROLLER ORANGE		
5.	315-516S83	ASSY. FRONT ROLLER RED		
5.	315-516S84	ASSY. FRONT ROLLER BLUE		
6.	315-880D	ROLLER BRACKET RH.		
6.	315-880D81	ROLLER BRACKET RH. GREEN		
6.	315-880D82	ROLLER BRACKET RH. ORANGE		
6.	315-880D83	ROLLER BRACKET RH. RED		
6.	315-880D84	ROLLER BRACKET RH. BLUE		
7.	315-881D	ROLLER BRACKET LH.		
7.	315-881D81	ROLLER BRACKET LH. GREEN		
7.	315-881D82	ROLLER BRACKET LH. ORANGE		
7.	315-881D83	ROLLER BRACKET LH. RED		
7.	315-881D84	ROLLER BRACKET LH. BLUE		
8.	802-015C	RHSNB 3/8-16X1 GR5		
9.	802-041C	HHCS 1/2-13X3 1/2 GR5		
10.	802-203C	HFSS 1/2-13X1 1/2 GR5		
11.	802-246C	HHCS 5/8-18X1 3/4 GR5		
12.	803-019C	NUT LOCK 1/2-13 PLT		
13.	803-022C	NUT HEX 5/8-18 PLT		
14.	803-037C	NUT HEX WHIZ 1/2-13 PLT		
15.	803-095C	NUT HEX SLOTTED 1-14		
16.	803-198C	NUT HEX WHIZ 3/8-16 PLT		
17.	804-022C	WASHER LOCK SPRING 5/8 PLT		
18.	804-025C	WASHER FLAT 3/4 SAE PLT		
19.	804-029C	WASHER FLAT 1 SAE		
20.	805-016C	PIN COTTER 3/16 X 1 1/4 PLT		
21.	805-017C	PIN COTTER 3/16 X 1 3/4 PLT		
22.	808-336C	B-GROOVE PULLEY 12" CAST-IRON		
23.	816-298C	RUBBER PLUG 1 3/8 W/CROSS SLIT		
24.	817-082C	4 X 5 1/2 FRONT ROLLER		
25.	817-195C	ROLLER ANTI-SCALP 2 OD		
26.	817-358C	KNOB 3/8-16 MALE THD 2 3/8OD		
27.	817-441C	PLASTIC BELT GUARD RH.		
28.	817-442C	PLASTIC BELT GUARD LH.		
29.	826-327C	GBOX MOWER 50 HP 1:2.8 CCW		
29.	826-327C81	GB MOWER 50 HP 1:2.8 CCW GREEN		
29.	826-327C82	GB MOWER 50 HP 1:2.8 CCW ORANGE		
29.	826-327C83	GB MOWER 50 HP 1:2.8 CCW RED		
29.	826-327C84	GB MOWER 50 HP 1:2.8 CCW BLUE		

# Gauge Wheel Center Deck

Applies to AFM4211



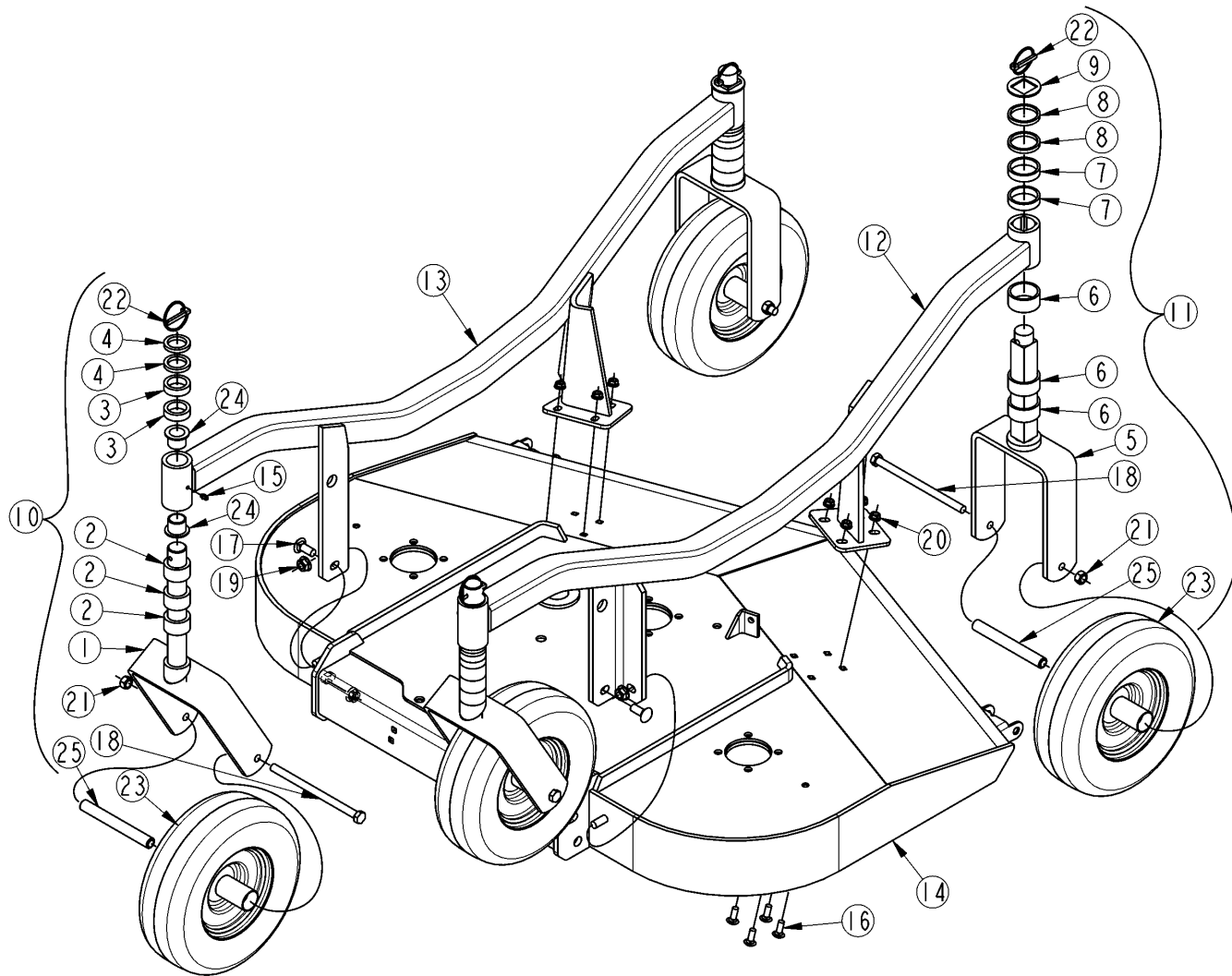
20649

**Gauge Wheel Center Deck****Applies to AFM4211**

<b>Ref</b>	<b>Part No.</b>	<b>Part Description</b>	<b>Comments</b>	<b>Revision</b>
	dwg20649	Drawing Image Number		
1.	310-090H	90 GAUGE WHEEL YOKE		
2.	310-251D	G.W. SPACER 1		
3.	310-252D	G.W. SPACER 1/2		
4.	310-359D	GW SPACER 1/4		
5.	315-399S	13X5 CASTER GW YOKE SUB		
6.	315-502H	WELDMENT GAUGE WHEEL BEAM RH.		
6.	315-502H81	WELDMENT GW BEAM RH GREEN		
6.	315-502H82	WELDMENT GW BEAM RH ORANGE		
6.	315-502H83	WELDMENT GW BEAM RH RED		
6.	315-502H84	WELDMENT GW BEAM RH BLUE		
7.	315-503H	WELDMENT GAUGE WHEEL BEAM LH.		
7.	315-503H81	WELDMENT GW BEAM LH GREEN		
7.	315-503H82	WELDMENT GW BEAM LH ORANGE		
7.	315-503H83	WELDMENT GW BEAM LH RED		
7.	315-503H84	WELDMENT GW BEAM LH BLUE		
8.	315-505H	WELDMENT DECK CCW		
8.	315-505H81	WELDMENT DECK CCW GREEN		
8.	315-505H82	WELDMENT DECK CCW ORANGE		
8.	315-505H83	WELDMENT DECK CCW RED		
8.	315-505H84	WELDMENT DECK CCW BLUE		
9.	800-001C	GREASE ZERK STRAIGHT 1/4-28		
10.	802-015C	RHSNB 3/8-16X1 GR5		
11.	802-214C	RHSNB 1/2-13X1 1/4 GR5		
12.	802-305C	HHCS 1/2-20X8 GR5		
13.	803-037C	NUT HEX WHIZ 1/2-13 PLT		
14.	803-198C	NUT HEX WHIZ 3/8-16 PLT		
15.	803-298C	NUT HEX NYLOCK 1/2-20 PLT		
16.	805-015C	PIN LYNCH 5/16 X 1 3/4		
17.	814-172C	TIRE 13X5W/HLS&3/4IDTAPER BRGS		
18.	827-056C	SPACER GW 3/4ODX33/64IDX6 3/8L		
19.	890-202C	GAUGE WHEEL SFT PIVOT BUSHING		

# Gauge Wheel Right Hand Deck

Applies to AFM4211



20652

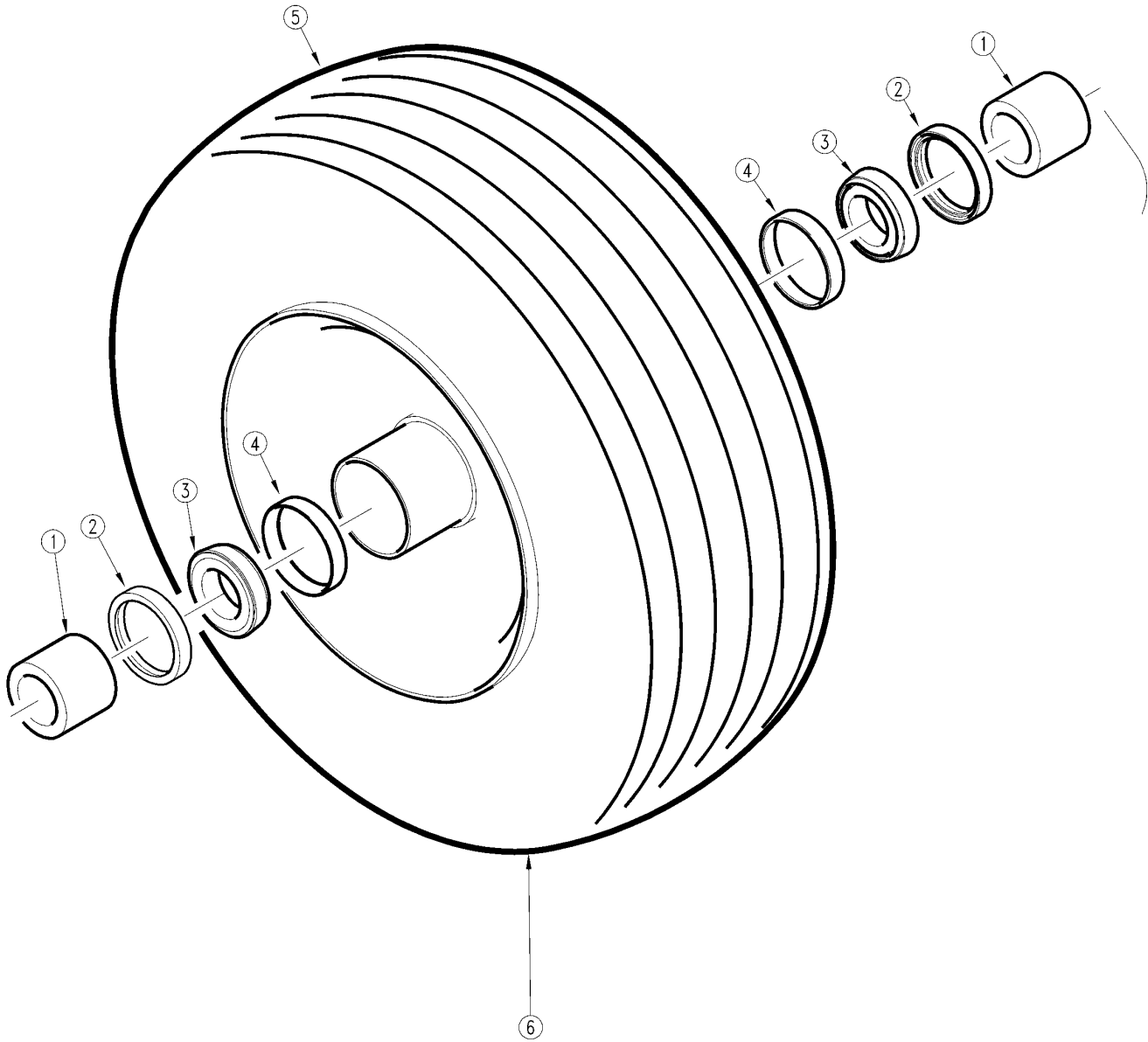


**Gauge Wheel Right Hand Deck****Applies to AFM4211**

Ref	Part No.	Part Description	Comments	Revision
	dwg20652	Drawing Image Number		
1.	310-090H	90 GAUGE WHEEL YOKE		
2.	310-251D	G.W. SPACER 1		
3.	310-252D	G.W. SPACER 1/2		
4.	310-359D	GW SPACER 1/4		
5.	315-098H	NON-CASTER GW YOKE WELD		
6.	315-245D	1 1/4 SQ BAR SPACER 1 LG		
7.	315-246D	1 1/4 SQ BAR SPACER 1/2 LG		
8.	315-247D	1 1/4 SQ BAR SPACER 1/4 LG		
9.	315-248D	1 1/4 SQ BAR TOP CAP		
10.	315-399S	13X5 CASTER GW YOKE SUB		
11.	315-400S	13X5 NONCASTER GW YOKE SUB		
12.	315-478H	WELDMENT GWM INNER RH.		
12.	315-478H81	WELDMENT GWM INNER RH GREEN		
12.	315-478H82	WELDMENT GWM INNER RH ORANGE		
12.	315-478H83	WELDMENT GWM INNER RH RED		
12.	315-478H84	WELDMENT GWM INNER RH BLUE		
13.	315-480H	WELDMENT GWM OUTER RH.		
13.	315-480H81	WELDMENT GWM OUTER RH. GREEN		
13.	315-480H82	WELDMENT GWM OUTER RH. ORANGE		
13.	315-480H83	WELDMENT GWM OUTER RH. RED		
13.	315-480H84	WELDMENT GWM OUTER RH. BLUE		
14.	315-505H	WELDMENT DECK CCW		
14.	315-505H81	WELDMENT DECK CCW GREEN		
14.	315-505H82	WELDMENT DECK CCW ORANGE		
14.	315-505H83	WELDMENT DECK CCW RED		
14.	315-505H84	WELDMENT DECK CCW BLUE		
15.	800-001C	GREASE ZERK STRAIGHT 1/4-28		
16.	802-015C	RHSNB 3/8-16X1 GR5		
17.	802-214C	RHSNB 1/2-13X1 1/4 GR5		
18.	802-305C	HHCS 1/2-20X8 GR5		
19.	803-037C	NUT HEX WHIZ 1/2-13 PLT		
20.	803-198C	NUT HEX WHIZ 3/8-16 PLT		
21.	803-298C	NUT HEX NYLOCK 1/2-20 PLT		
22.	805-015C	PIN LYNCH 5/16 X 1 3/4		
23.	814-172C	TIRE 13X5W/HLS&3/4IDTAPER BRGS		
24.	890-202C	GAUGE WHEEL SFT PIVOT BUSHING		
25.	827-056C	SPACER GW 3/4ODX33/64IDX6 3/8L		

# Gauge Wheel Tire (814-172C)

Applies to AFM4211



10499

**Gauge Wheel Tire (814-172C)**

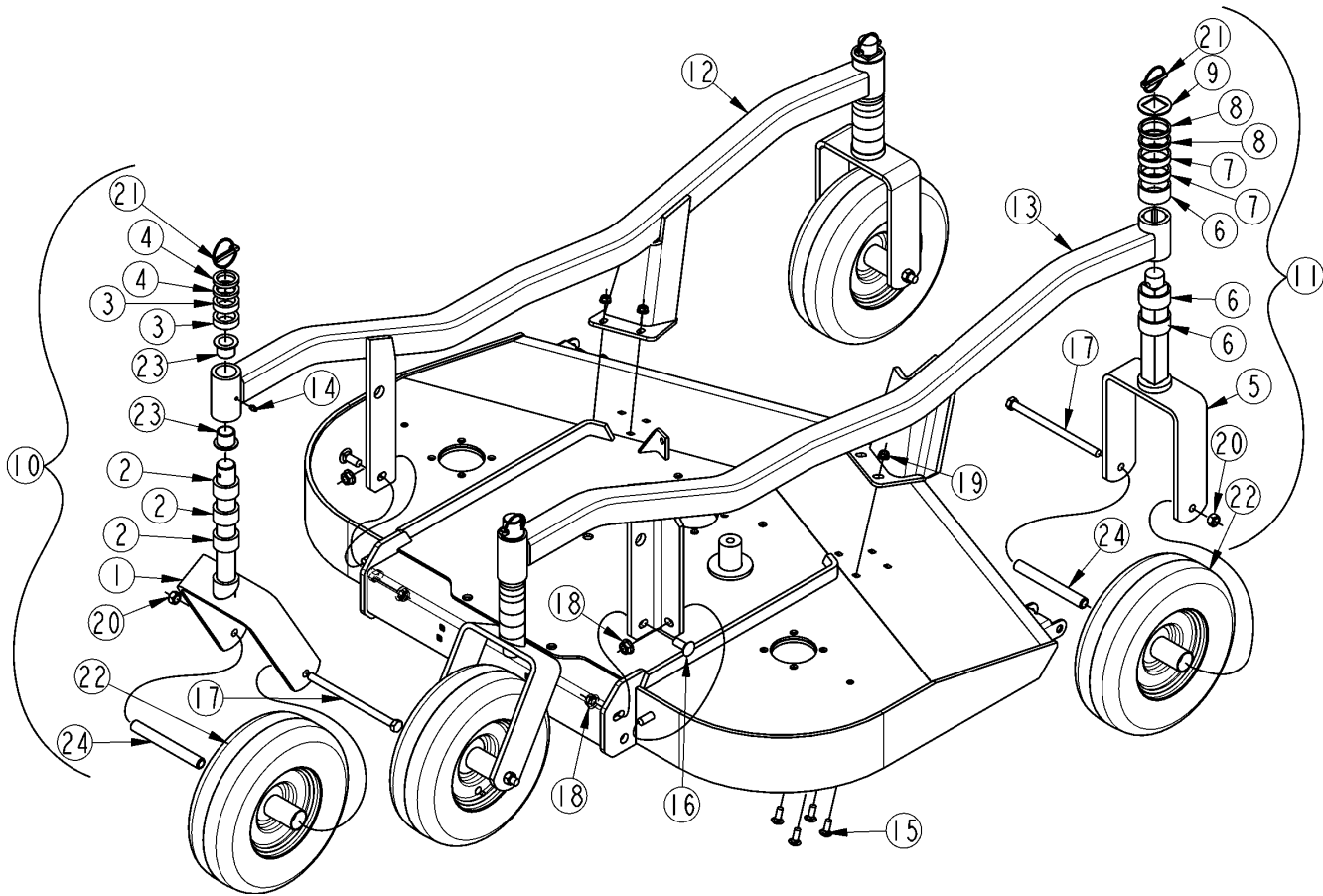
---

**Applies to AFM4211**

<b>Ref</b>	<b>Part No.</b>	<b>Part Description</b>	<b>Comments</b>	<b>Revision</b>
	dwg10499	Drawing Image Number		
1.	HSS-34	MRTN HGH SPD SPCR3/4ID 1.125OD		
2.	GS-3	MRTN GREASE SEAL 1.125(1.78OD)		
3.	822-045C	BEARING CONE #LM 11949		
4.	822-050C	BEARING CUP #LM 11910		
5.	814-172C	TIRE 13X5 W/HLS & 3/4 ID TAPER BRGS		
6.	506-4R-I	TIRE MARTIN		

# Gauge Wheels Left Hand Deck

Applies to AFM4211



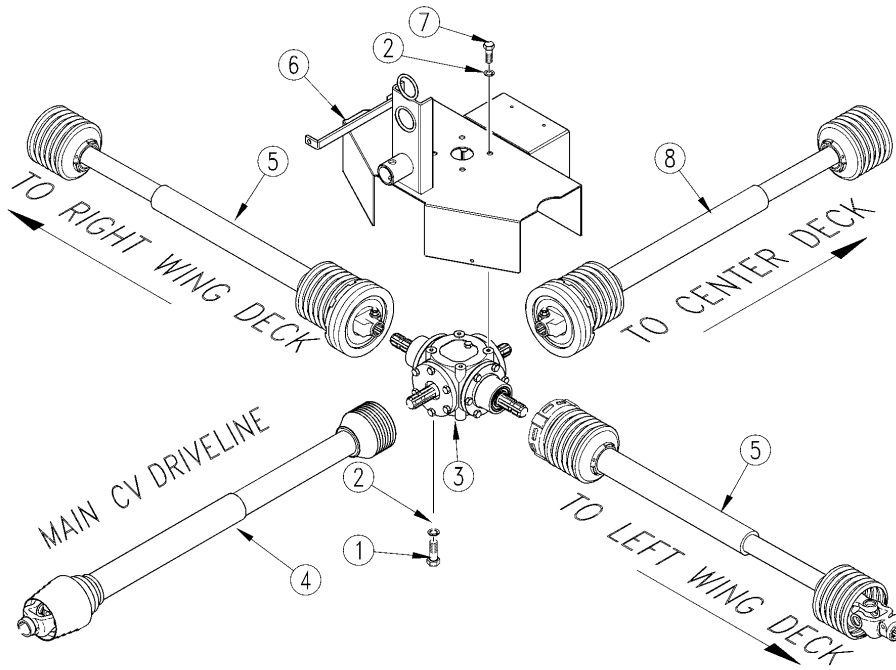
20655

**Gauge Wheels Left Hand Deck****Applies to AFM4211**

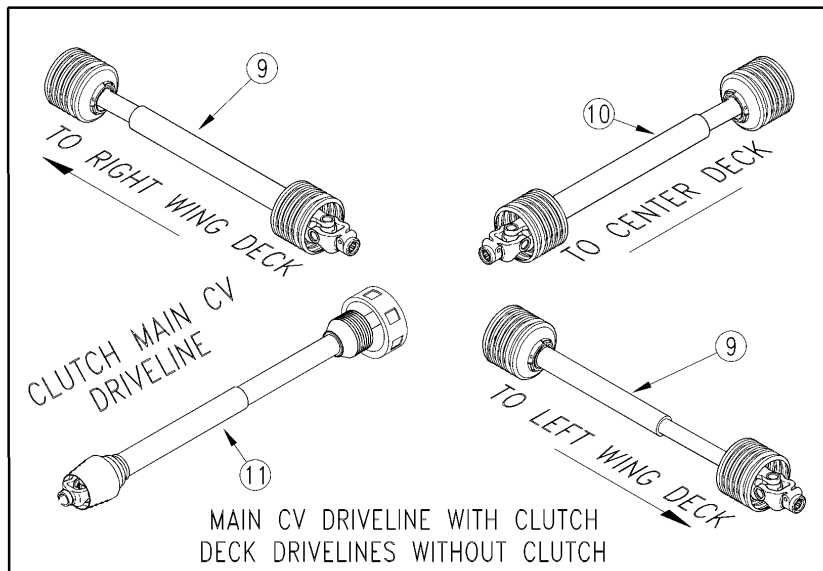
<b>Ref</b>	<b>Part No.</b>	<b>Part Description</b>	<b>Comments</b>	<b>Revision</b>
	dwg20655	Drawing Image Number		
1.	310-090H	90 GAUGE WHEEL YOKE		
2.	310-251D	G.W. SPACER 1		
3.	310-252D	G.W. SPACER 1/2		
4.	310-359D	GW SPACER 1/4		
5.	315-098H	NON-CASTER GW YOKE WELD		
6.	315-245D	1 1/4 SQ BAR SPACER 1 LG		
7.	315-246D	1 1/4 SQ BAR SPACER 1/2 LG		
8.	315-247D	1 1/4 SQ BAR SPACER 1/4 LG		
9.	315-248D	1 1/4 SQ BAR TOP CAP		
10.	315-399S	13X5 CASTER GW YOKE SUB		
11.	315-400S	13X5 NONCASTER GW YOKE SUB		
12.	315-479H	WELDMENT GWM INNER LH.		
12.	315-479H81	WELDMENT GWM INNER LH. GREEN		
12.	315-479H82	WELDMENT GWM INNER LH. ORANGE		
12.	315-479H83	WELDMENT GWM INNER LH. RED		
12.	315-479H84	WELDMENT GWM INNER LH. BLUE		
13.	315-481H	WELDMENT GWM OUTER LH.		
13.	315-481H81	WELDMENT GWM OUTER LH. GREEN		
13.	315-481H82	WELDMENT GWM OUTER LH. ORANGE		
13.	315-481H83	WELDMENT GWM OUTER LH. RED		
13.	315-481H84	WELDMENT GWM OUTER LH. BLUE		
14.	800-001C	GREASE ZERK STRAIGHT 1/4-28		
15.	802-015C	RHSNB 3/8-16X1 GR5		
16.	802-214C	RHSNB 1/2-13X1 1/4 GR5		
17.	802-305C	HHCS 1/2-20X8 GR5		
18.	803-037C	NUT HEX WHIZ 1/2-13 PLT		
19.	803-198C	NUT HEX WHIZ 3/8-16 PLT		
20.	803-298C	NUT HEX NYLOCK 1/2-20 PLT		
21.	805-015C	PIN LYNCH 5/16 X 1 3/4		
22.	814-172C	TIRE 13X5W/HLS&3/4IDTAPER BRGS		
23.	890-202C	GAUGE WHEEL SFT PIVOT BUSHING		
24.	827-056C	SPACER GW 3/4ODX33/64IDX6 3/8L		

# Driveline Arrangement

Applies to AFM4211



MAIN CV DRIVELINE WITHOUT CLUTCH  
DECK DRIVELINES WITH CLUTCH



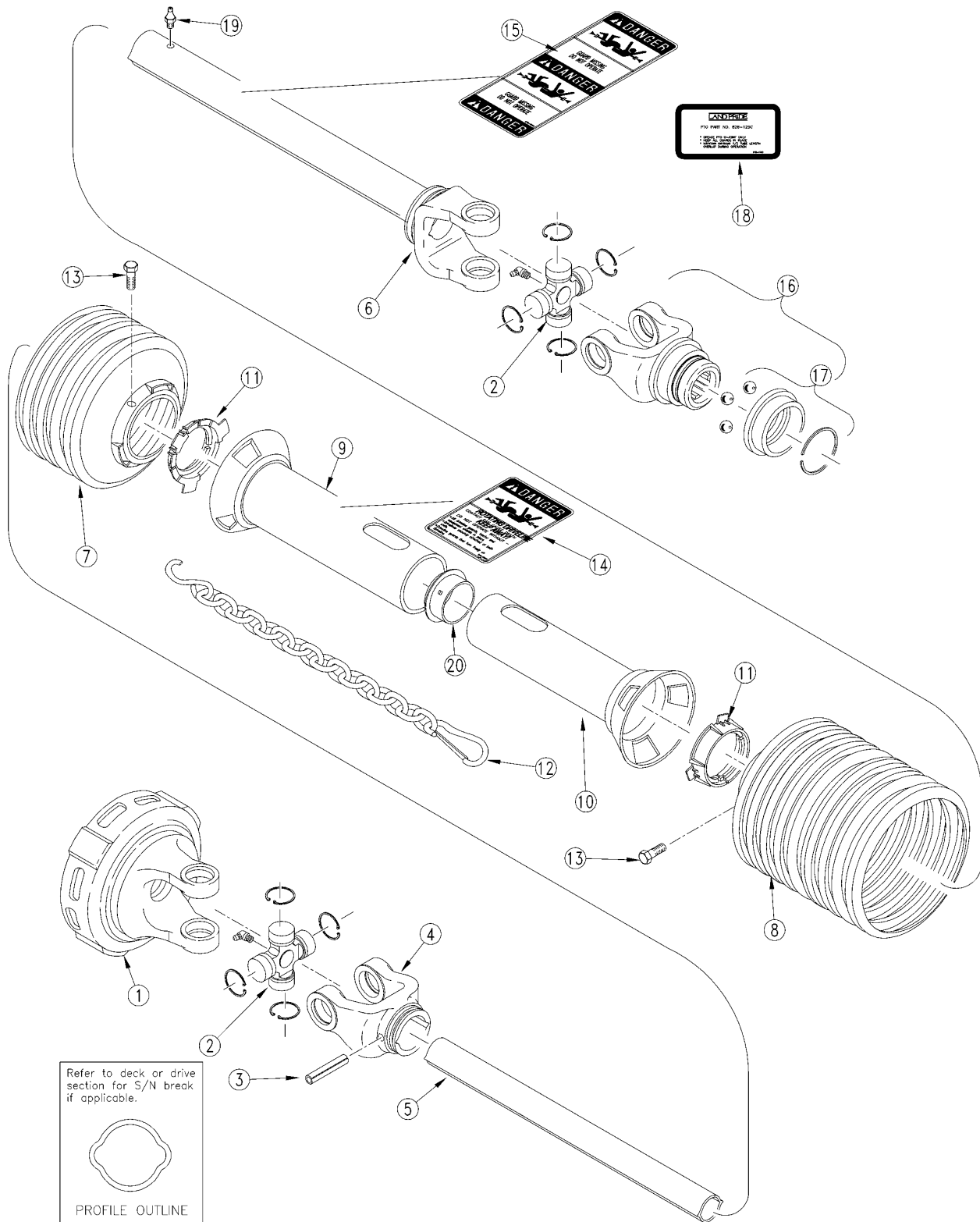
MAIN CV DRIVELINE WITH CLUTCH  
DECK DRIVELINES WITHOUT CLUTCH

***Driveline Arrangement*****Applies to AFM4211**

<b>Ref</b>	<b>Part No.</b>	<b>Part Description</b>	<b>Comments</b>	<b>Revision</b>
	dwg22040	Drawing Image Number		
1.	802-689C	HHCS 1/2-13X1 1/4 GR5 NYL	(S/N 361755+)	Rev. 2
1.	802-458C	HHCS M12X1.75X30 GR8.8	(S/N 361754-)	Rev. 1
2.	804-015C	WASHER LOCK SPRING 1/2 PLT		
3.	826-274C	GBOX DIVIDER OMNI 250559 1:1	(S/N 361755+)	Rev. 2
3.	826-124C	4-WAY SPLITTER BOX 1:1 RATIO	(S/N 361754-)	Rev. 1
4.	826-125C	PTO CV 2380 X 41.73		
5.	826-126C	PTO 2200 X 19.09 W/CLUTCH		
6.	315-145H	SPLITTER BOX COVER AFM		
7.	802-128C	HHCS 1/2-13X2 GR5	(S/N 361755+)	Rev. 2
7.	802-444C	HHCS M12X1.75X50 GR8.8	(S/N 361754-)	Rev. 1
8.	826-127C	PTO 2200 X 23.23 W/CLUTCH		
9.	826-372C	PTO CAT.2 X 26		
10.	826-373C	PTO CAT.2 X 30		
11.	826-369C	PTO CV CAT.3 W/CLUTCH		

# Driveline Center Deck (826-127C) Walterscheid

Applies to AFM4211



12887

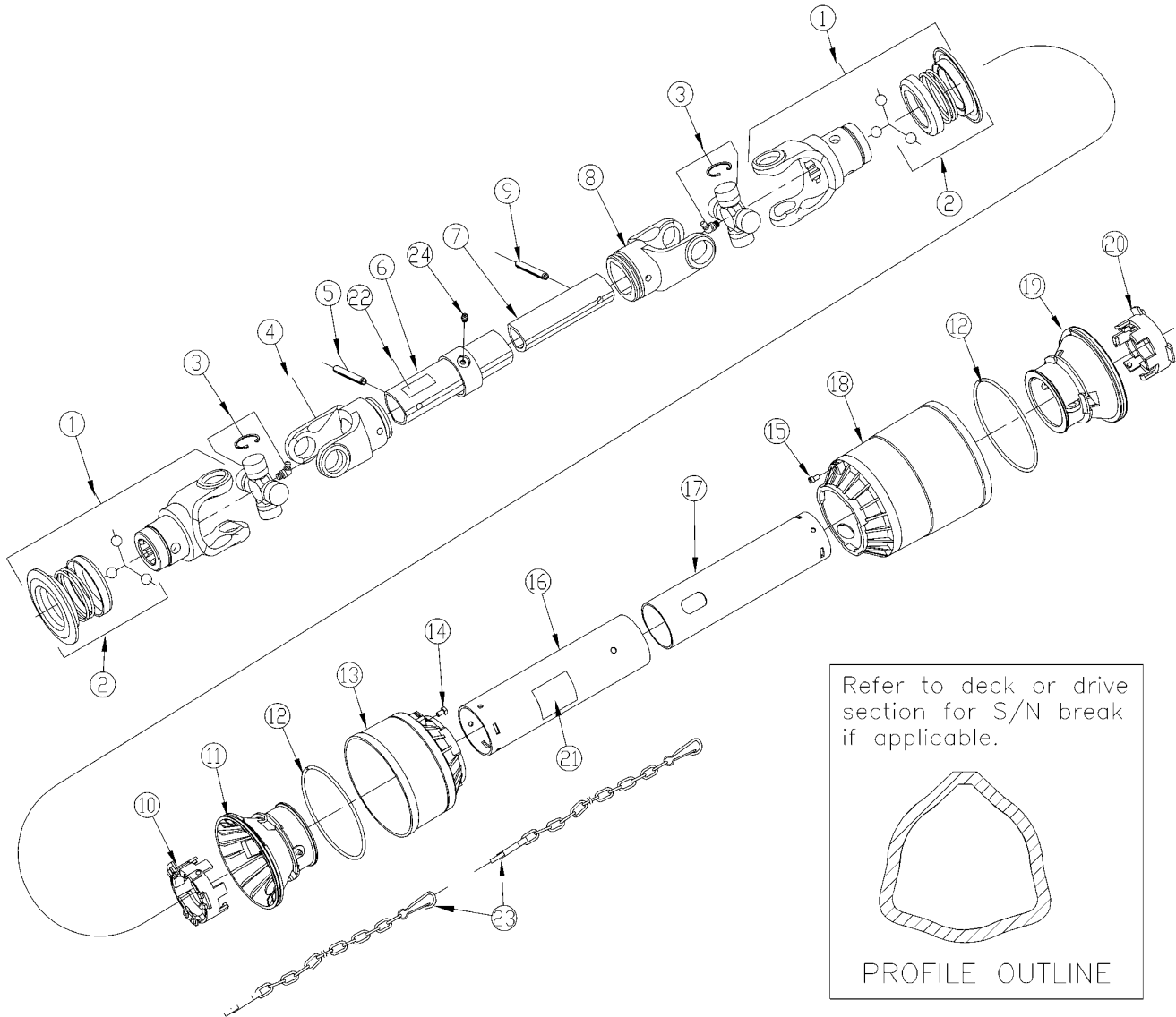


***Driveline Center Deck (826-127C) Walterscheid*****Applies to AFM4211**

<b>Ref</b>	<b>Part No.</b>	<b>Part Description</b>	<b>Comments</b>	<b>Revision</b>
	dwg12887	Drawing Image Number		
	826-127C	PTO 2200 X 23.23 W/CLUTCH		
1.	053313	WS FRICTION CLUTCH		
2.	044439	WALTSCHIED CROSS & BRG KIT		
3.	020614	WS SPRING PIN		
4.	041065	WS INBOARD YOKE		
5.	048755	WS INNER PROFILE OV		
6.	390002	WS OUTER PROFILE &		
7.	377234	WS SHIELD CONE-4 RIB		
8.	377240	WS SHIELD CONE-10RIB		
9.	392045	WS OUTER SHIELD OVL.		
10.	392046	WS INNER SHIELD RND.		
11.	087279	WS BEARING RING		
12.	044321	DRIVELINE SHIELD SAFETY CHAIN		
13.	365305	WS SCREW		
14.	818-552C	DECAL DANGER PTO DRIVELINE		
15.	818-540C	DECAL DANGER GUARD MISS PTO		
16.	196837	WS ASGE YOKE 1 3/8-6 SPL.		
17.	390404	WS ASGE COLLAR KIT		
18.	818-450C	DECAL PTO 826-127C		
19.	380371	WS ZERK		
20.	355154	WS SUPPORT BEARING		

# Driveline Center Deck (826-373C) Eurocardan

Applies to AFM4211



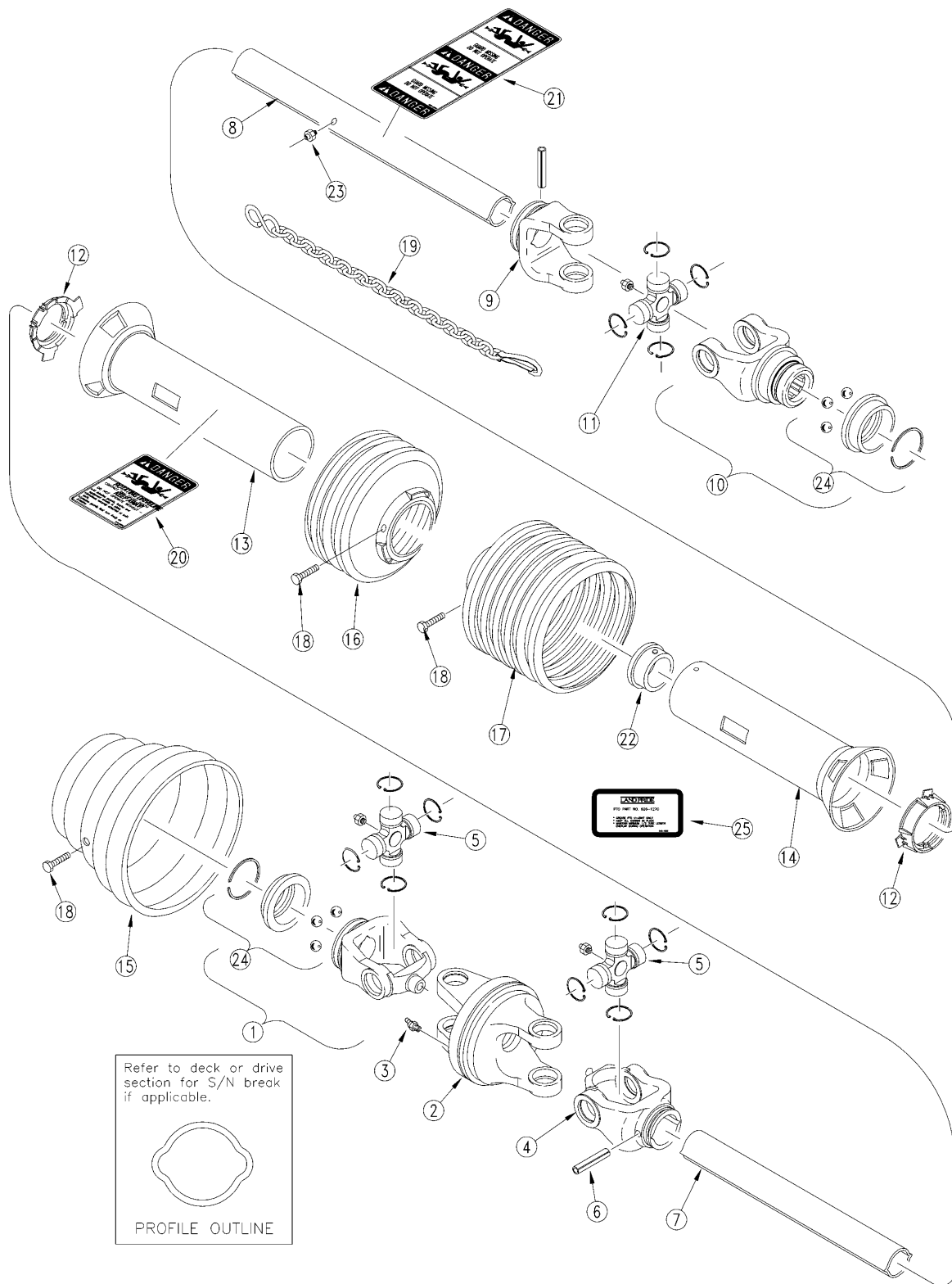
22042

**Driveline Center Deck (826-373C) Eurocardan****Applies to AFM4211**

<b>Ref</b>	<b>Part No.</b>	<b>Part Description</b>	<b>Comments</b>	<b>Revision</b>
	826-373C	PTO CAT.2 X 30 *		
	dwg22042	Drawing Image Number		
1.	1014012	EC YOKE ASSEMBLY		
2.	1004225	EC PULL COLLAR KIT		
3.	1004020	EC CROSS ASSEMBLY ( U JOINT)		
4.	1704027	EC OUTER TUBE YOKE		
5.	6330860	EC 08X60 1485DIN ROLL PIN		
6.	1524904	EC OUTER TUBE		
7.	1525057	EC INNER TUBE (1525095) 570MM		
8.	1704029	EC INNER TUBE YOKE		
9.	1014010	REP BY 1014012		
10.	6330855	EC 8X55-DIN-1481 O/TUBE R/PIN		
11.	1784210	EC TUBE BEARING		
12.	1884201	EC OUTER TUBE RIGID CONE		
13.	1213233	EC STIFFENING RING		
14.	1884203	EC SOFT CONE		
15.	1784212	EC PIN STOP ROTATION		
16.	1873905	EC OUTER TUBE SHIELD		
17.	1872905	EC INNER TUBE SHIELD		
18.	1884205	EC SOFT LONG CONE		
19.	1884202	EC INNER TUBE RIGID CONE		
20.	1784211	EC TUBE BEARING		
21.	818-552C	DECAL DANGER PTO DRIVELINE		
22.	818-540C	DECAL DANGER GUARD MISS PTO		
23.	044321	DRIVELINE SHIELD SAFETY CHAIN		
24.	6560006	EC GREASE ZERK M6X1 STRAIGHT		

# Driveline CV (826-125C) Walterscheid

Applies to AFM4211



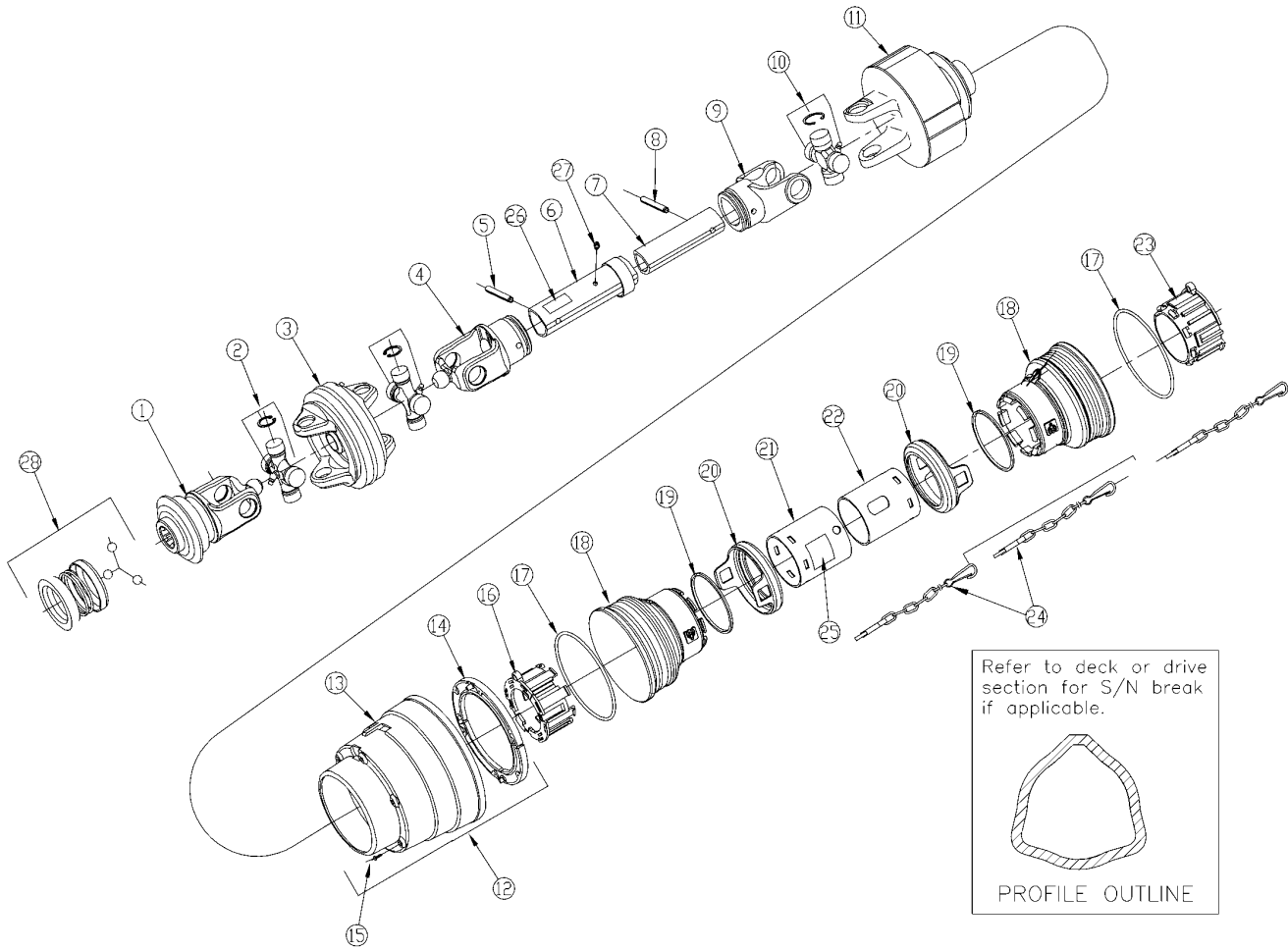
12660

**Driveline CV (826-125C) Walterscheid****Applies to AFM4211**

<b>Ref</b>	<b>Part No.</b>	<b>Part Description</b>	<b>Comments</b>	<b>Revision</b>
	dwg12660	Drawing Image Number		
	826-125C	PTO CV 2380 X 41.73		
1.	382710	WS YOKE 1 3/8-6 SPL AS		
2.	384517	WS DOUBLE YOKE		
3.	020672	WS GREASE ZERK		
4.	366862	WS INBOARD YOKE		
5.	382701	WS CROSS & BEARING KIT		
6.	020616	WS SPRING PIN		
7.	319624	WS INNER PROFILE		
8.	388954	WS PROFILE & SLEEVE W.A.		
9.	041577	WS INBORD YOKE		
10.	196839	WS YOKE 1 3/8-6 SPL ASGE		
11.	044444	WS CROSS & BRG KIT		
12.	087276	WS BEARING RING - SC25		
13.	389961	WS OUTER SHIELD TUBE OVL.		
14.	388957	WS INNER SHIELD TUBE ROUND		
15.	386163	WS CV CONE & BEARING ASSY		
16.	172762	WS SHIELD CONE 3 RIB		
17.	377335	WS SHIELD CONE - 5 RIB		
18.	365305	WS SCREW		
19.	044321	DRIVELINE SHIELD SAFETY CHAIN		
20.	818-552C	DECAL DANGER PTO DRIVELINE		
21.	818-540C	DECAL DANGER GUARD MISS PTO		
22.	355155	WS SUPPORT BEARING		
23.	380371	WS ZERK		
24.	390404	WS ASGE COLLAR KIT		
25.	818-448C	DECAL PTO 826-125C		

# Driveline CV (826-369C) Eurocardan

Applies to AFM4211



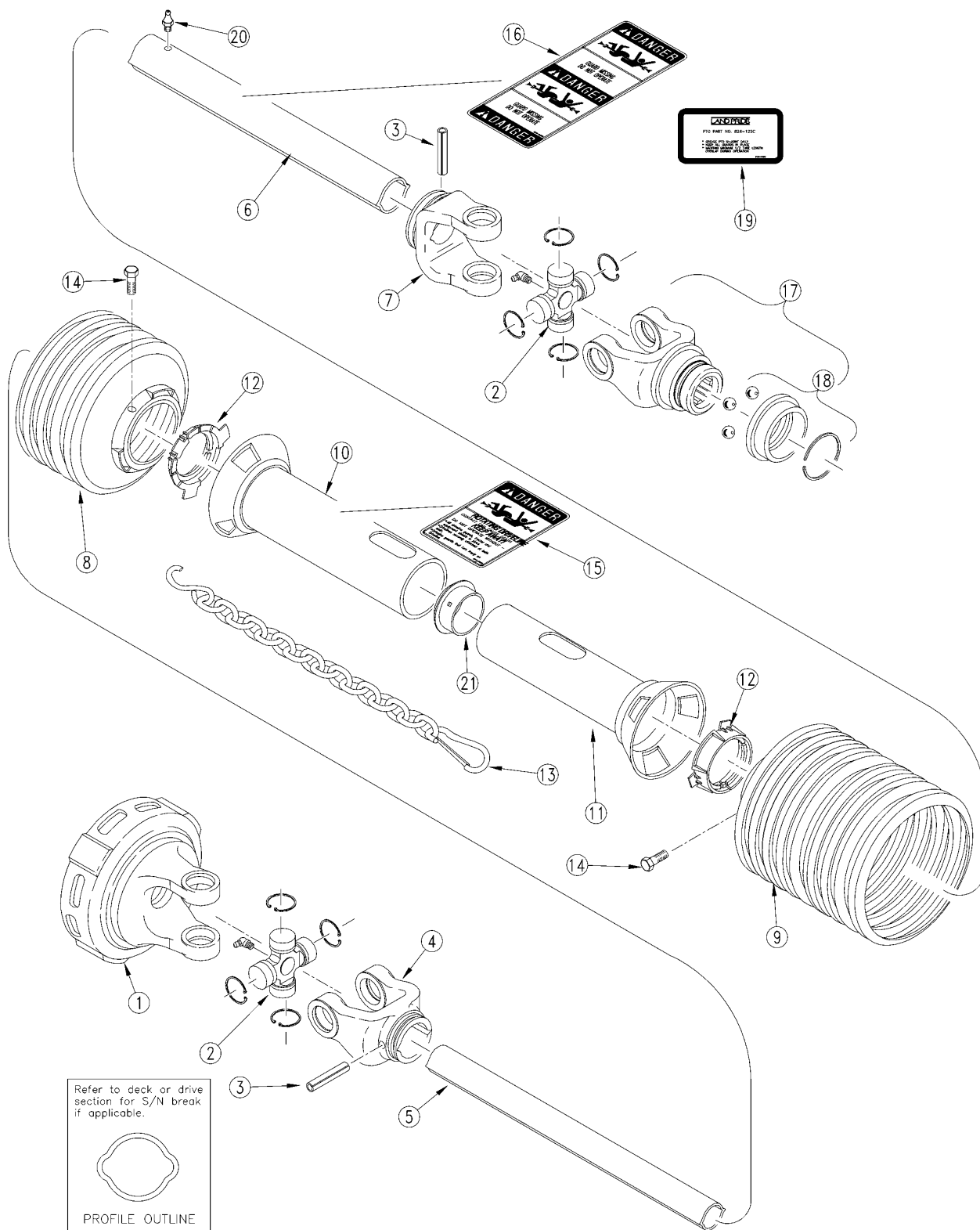
22043

**Driveline CV (826-369C) Eurocardan****Applies to AFM4211**

<b>Ref</b>	<b>Part No.</b>	<b>Part Description</b>	<b>Comments</b>	<b>Revision</b>
	dwg22043	Drawing Image Number		
1.	1006865	EC PULL COLLAR YOKE 1.38-6		
2.	1006830	EC GO6 CROSS ASSEMBLY		
3.	1006831	EC HOMOKINETIC JOINT		
4.	1006899	EC TUBE HOMOKINETIC JOINT		
5.	6331075	EC 10X75-DIN-1485 ROLL PIN		
6.	1527906	EC EC OUTER TUBE		
7.	1526073	EC INNER TUBE (1526084) 730MM		
8.	6331065	EC 10X65-DIN-1485 ROLL PIN		
9.	1705029	EC INNER TUBE YOKE		
10.	1005020	EC CROSS ASSEMBLY		
11.	1465605	EC CLUTCH BD4/5 1300Nm		
12.	9190601	EC WIDE ANGLE PROTECTION		
13.	1886802	EC SOFT CONE		
14.	1786801	EC BEARING SOFT CONE		
15.	6280313	EC SELF THREADING SCREW		
16.	1785710	EC TUBE BEARING (OUTER TUBE)		
17.	1215733	EC STIFFENING RING		
18.	1885702	EC SHORT CONE		
19.	1215735	EC STOP RING		
20.	1885709	EC SAFETY SLEEVE		
21.	1876903	EC OUTER TUBE SHIELD		
22.	1877903	EC INNER TUBE SHIELD		
23.	1785711	EC TUBE BEARING (INNER TUBE)		
24.	044321	DRIVELINE SHIELD SAFETY CHAIN		
25.	818-552C	DECAL DANGER PTO DRIVELINE		
26.	818-540C	DECAL DANGER GUARD MISS PTO		
27.	6560006	EC GREASE ZERK M6X1 STRAIGHT		
28.	1004225	EC PULL COLLAR KIT		

# Driveline Left & Right Hand Deck (826-126C) Walterscheid

Applies to AFM4211



12661

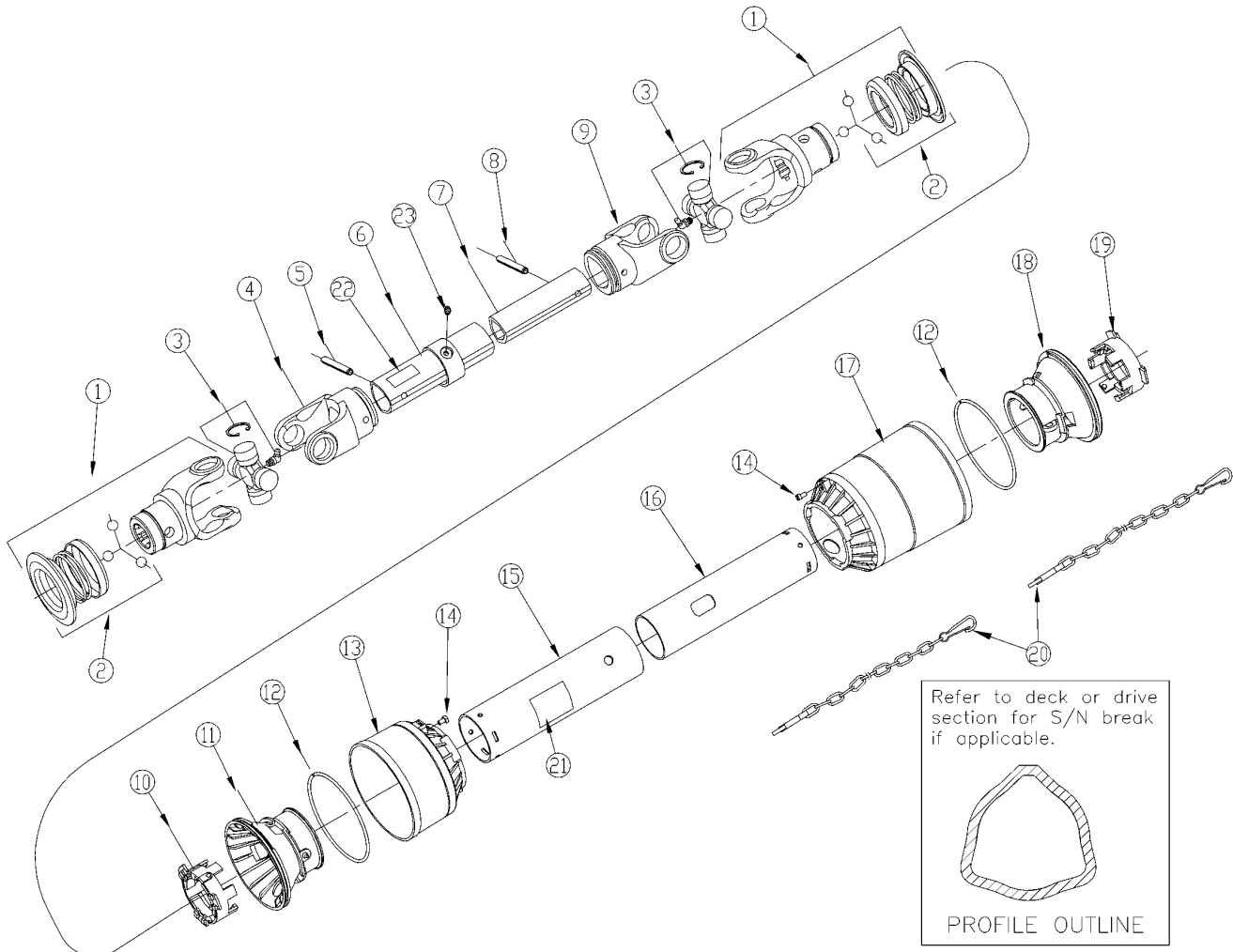


***Driveline Left & Right Hand Deck (826-126C) Walterscheid*****Applies to AFM4211**

<b>Ref</b>	<b>Part No.</b>	<b>Part Description</b>	<b>Comments</b>	<b>Revision</b>
	dwg12661	Drawing Image Number		
	826-126C	PTO 2200 X 19.09 W/CLUTCH		
1.	053313	WS FRICTION CLUTCH		
2.	044439	WALTSCHIED CROSS & BRG KIT		
3.	020614	WS SPRING PIN		
4.	041065	WS INBOARD YOKE		
5.	180909	WS INNER PROFILE OVAL		
6.	392047	WS OUTER PROFILE 1L		
7.	041068	WS INBOARD YOKE		
8.	377234	WS SHIELD CONE-4 RIB		
9.	377240	WS SHIELD CONE-10RIB		
10.	392048	WS OUTER SHIELD OVL.		
11.	392049	WS INNER SHIELD RND.		
12.	087279	WS BEARING RING		
13.	044321	DRIVELINE SHIELD SAFETY CHAIN		
14.	365305	WS SCREW		
15.	818-552C	DECAL DANGER PTO DRIVELINE		
16.	818-540C	DECAL DANGER GUARD MISS PTO		
17.	196837	WS ASGE YOKE 1 3/8-6 SPL.		
18.	390404	WS ASGE COLLAR KIT		
19.	818-449C	DECAL PTO 826-126C		
20.	380371	WS ZERK		
21.	355154	WS SUPPORT BEARING		

# Driveline Left & Right Hand Deck (826-372C) Eurocardan

Applies to AFM4211

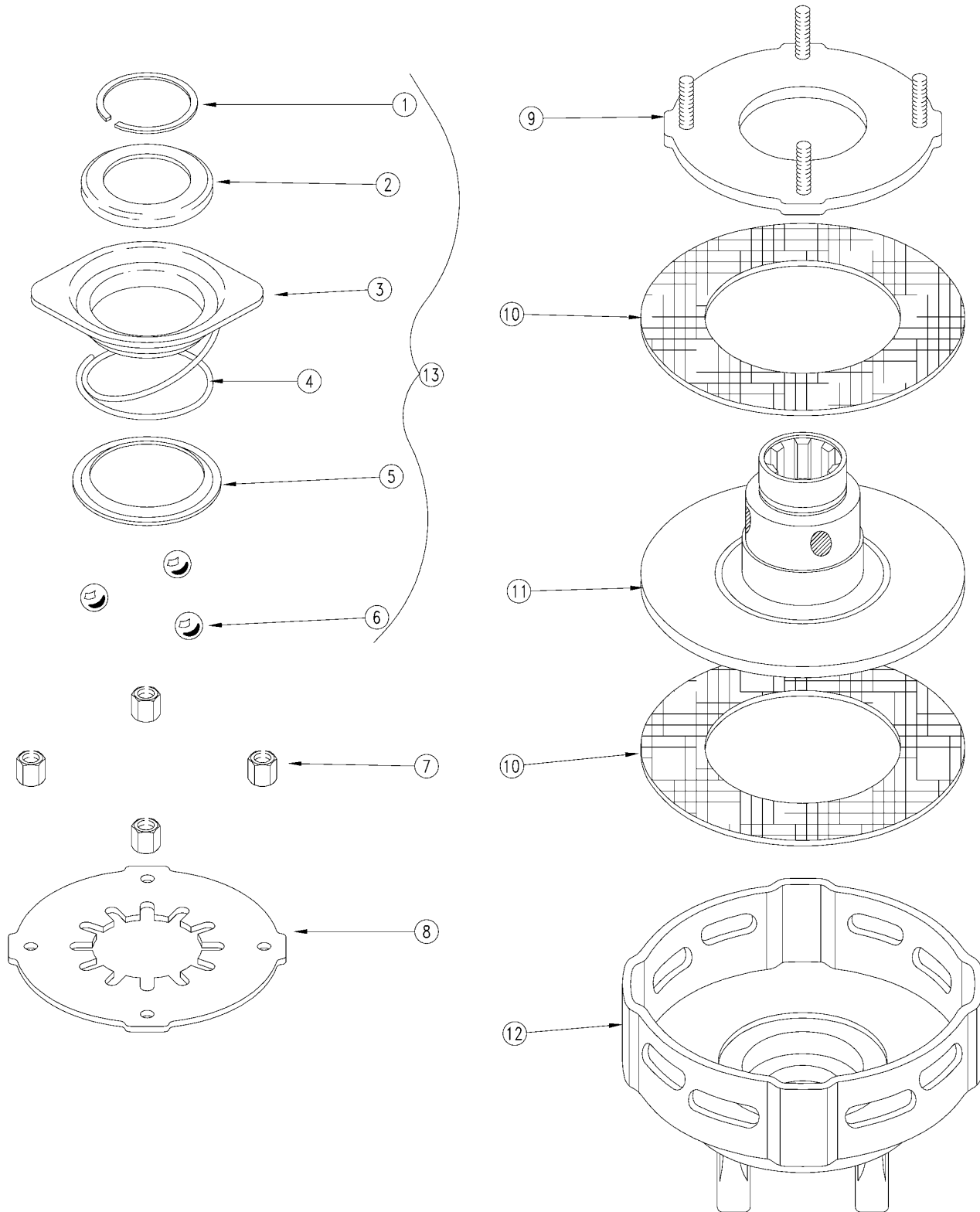


***Driveline Left & Right Hand Deck (826-372C) Eurocardan*****Applies to AFM4211**

<b>Ref</b>	<b>Part No.</b>	<b>Part Description</b>	<b>Comments</b>	<b>Revision</b>
	dwg22041	Drawing Image Number		
1.	1014012	EC YOKE ASSEMBLY		
2.	1004225	EC PULL COLLAR KIT		
3.	1004020	EC CROSS ASSEMBLY ( U JOINT)		
4.	1704027	EC OUTER TUBE YOKE		
5.	6330860	EC 08X60 1485DIN ROLL PIN		
6.	1524903	EC OUTER TUBE		
7.	1525035	EC INNER TUBE (1525095) 350MM		
8.	6330855	EC 8X55-DIN-1481 O/TUBE R/PIN		
9.	1704029	EC INNER TUBE YOKE		
10.	1784210	EC TUBE BEARING		
11.	1884201	EC OUTER TUBE RIGID CONE		
12.	1213233	EC STIFFENING RING		
13.	1884203	EC SOFT CONE		
14.	1784212	EC PIN STOP ROTATION		
15.	1873903	EC OUTER TUBE SHIELD		
16.	1872903	EC INNER TUBE SHIELD		
17.	1884205	EC SOFT LONG CONE		
18.	1884202	EC INNER TUBE RIGID CONE		
19.	1784211	EC TUBE BEARING		
20.	044321	DRIVELINE SHIELD SAFETY CHAIN		
21.	818-552C	DECAL DANGER PTO DRIVELINE		
22.	818-540C	DECAL DANGER GUARD MISS PTO		
23.	6560006	EC GREASE ZERK M6X1 STRAIGHT		

# Driveline Slip Clutch (053313)

Applies to AFM4211



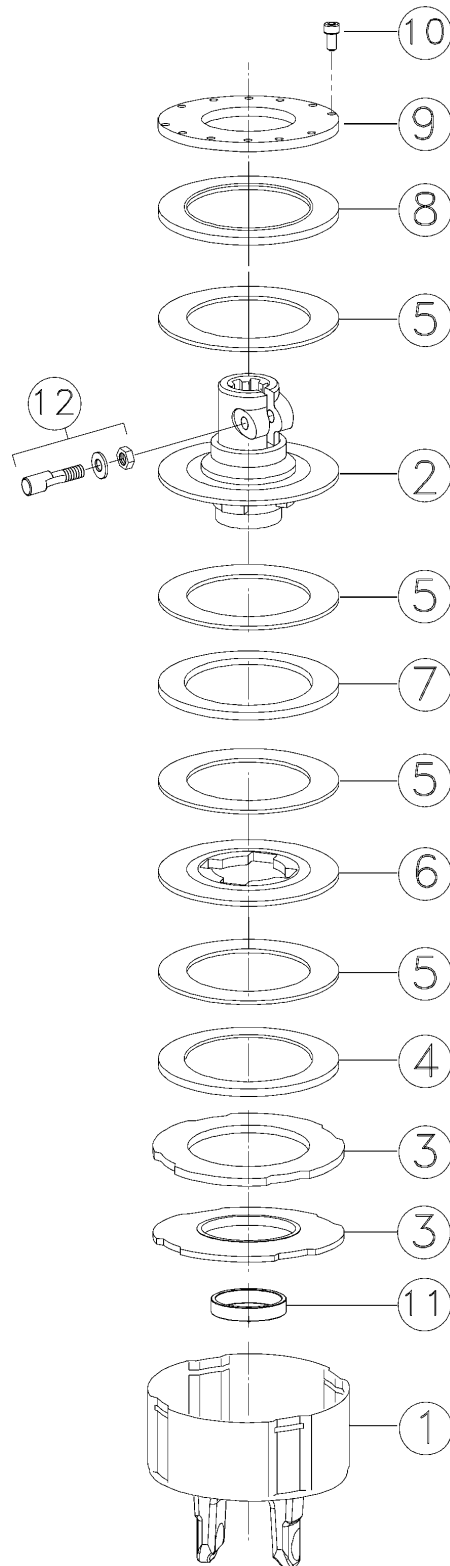
10600

***Driveline Slip Clutch (053313)*****Applies to AFM4211**

<b>Ref</b>	<b>Part No.</b>	<b>Part Description</b>	<b>Comments</b>	<b>Revision</b>
	dwg10600	Drawing Image Number		
	053313	WS FRICTION CLUTCH		
1.	304149	WS SNAP RING		
2.	338531	WS FLANGED RING		
3.	045790	WS LOCK COLLAR		
4.	045793	WS COMPRESSION SPRNG		
5.	047825	WS BACK UP RING		
6.	020692	WS BALL		
7.	381957	WS HEX NUT M8		
8.	043487	WS BELLEVILLE SPRING		
9.	381495	WS THRUST PLATE		
10.	168556	WS FRICTION DISK		
11.	051551	WS HUB 1 3/8-6 SPL		
12.	041180	WS CLUTCH HOUSING		
13.	341953	WS Q.D. FLG. KIT	Includes one each of items 1 through 5 and three of item 6.	

# Driveline Slip Clutch (1465305) Eurocardan

Applies to AFM4211



23888

***Driveline Slip Clutch (1465305) Eurocardan***

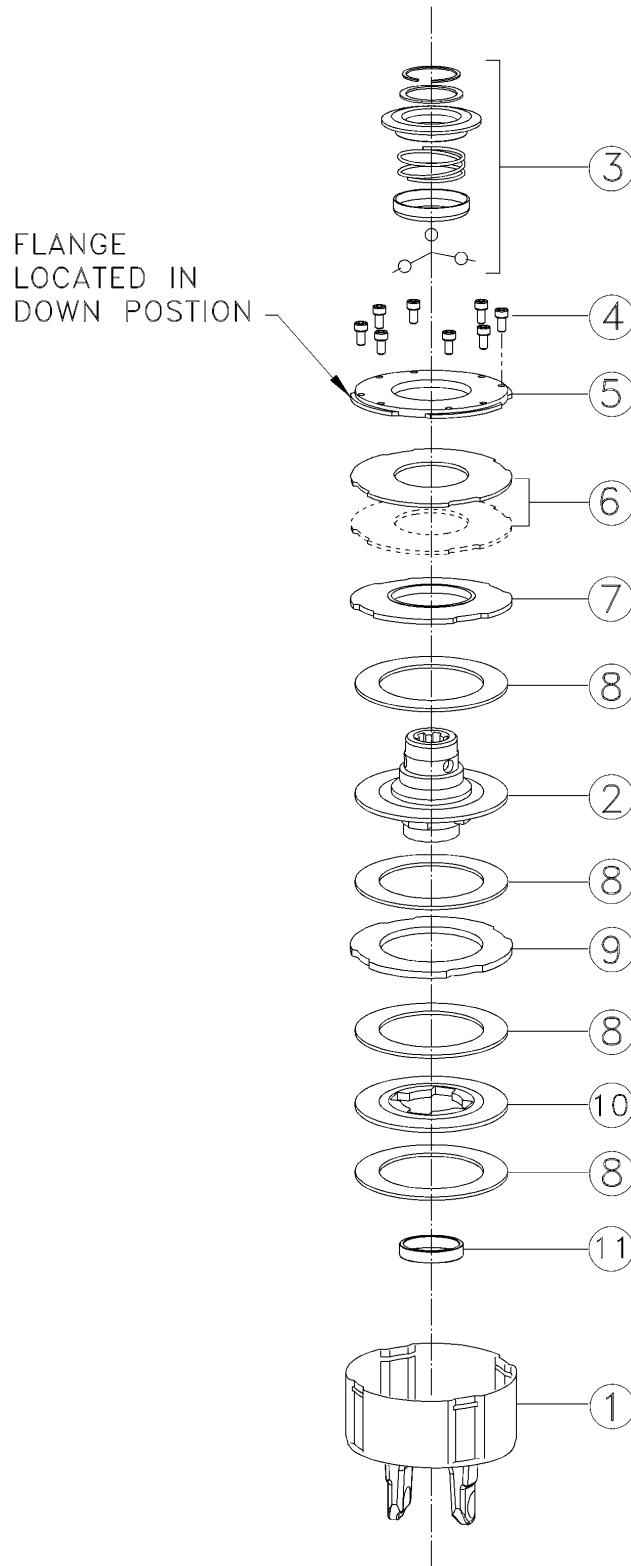
---

**Applies to AFM4211**

<b>Ref</b>	<b>Part No.</b>	<b>Part Description</b>	<b>Comments</b>	<b>Revision</b>
	dwg23888 1465305	Drawing Image Number RPBY 1465605		
			EC CLUTCH (CLAMP TYPE 1 3/8" SPLINED END)	
1.	1465000	EC OUTER BODY FOR BC		
2.	1706065	EC HUB WITH FLANGE (1 3/8-6)		
3.	1216914	EC SPRING KIT (R1300Nm)		
3.	1216907	RPBY 1216914		
4.	1136009	EC SPRING FLANGE		
5.	1806010	EC FRICTION DISC		
6.	1136010	EC HUB DISC		
7.	1136006	EC INTERMEDIARY FLANGE		
8.	1136008	EC INT. FLANGE		
9.	1136007	EC CLOSURE FLANGE		
10.	6041016	EC SCREW		
11.	1705009	EC CLUTCH BUSHING		
12.	6821280	EC CONICAL CLAP KIT (1 3/8)		

# Driveline Slip Clutch (1465605) Eurocardan

Applies to AFM4211



23891



***Driveline Slip Clutch (1465605) Eurocardan***

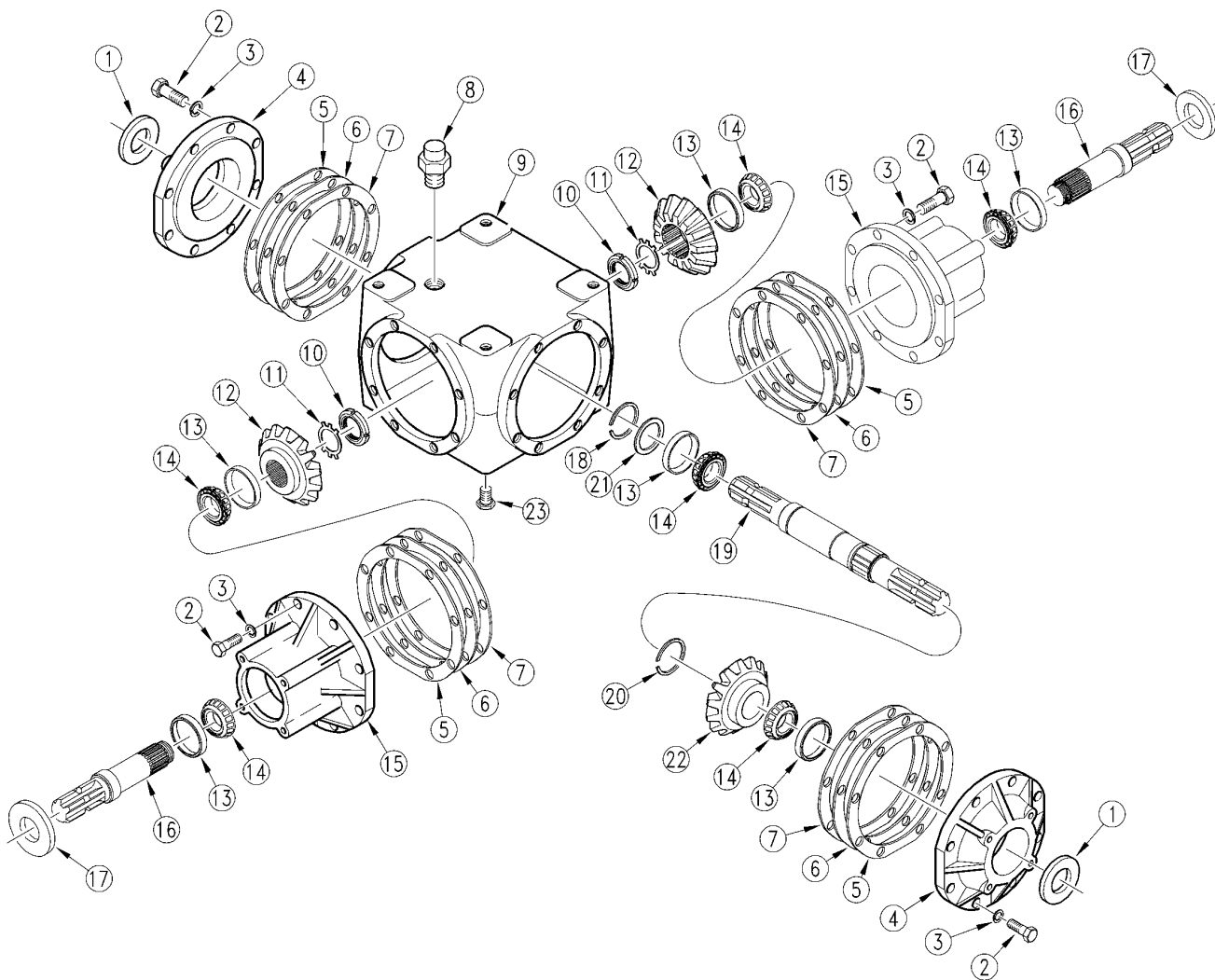
---

**Applies to AFM4211**

<b>Ref</b>	<b>Part No.</b>	<b>Part Description</b>	<b>Comments</b>	<b>Revision</b>
	dwg22044	Drawing Image Number		
1.	1465001	EC OUTER BODY FOR BD4/5		
2.	1706085	EC HUB WITH FLANGE 1.38-6		
3.	1004225	EC PULL COLLAR KIT		
4.	6040816	EC SCREW M8 X 16		
5.	1134012	EC CLOSURE FLANGE		
6.	1216914	EC SPRING KIT (R1300Nm)		
7.	1134011	EC PRESSURE FLANGE		
8.	1806010	EC FRICTION DISC		
9.	1136008	EC INT. FLANGE		
10.	1136010	EC HUB DISC		
11.	1705009	EC CLUTCH BUSHING		

# Gearbox 4-Way Splitter (826-274C) OMNI (S/N 361755+)

Applies to AFM4211



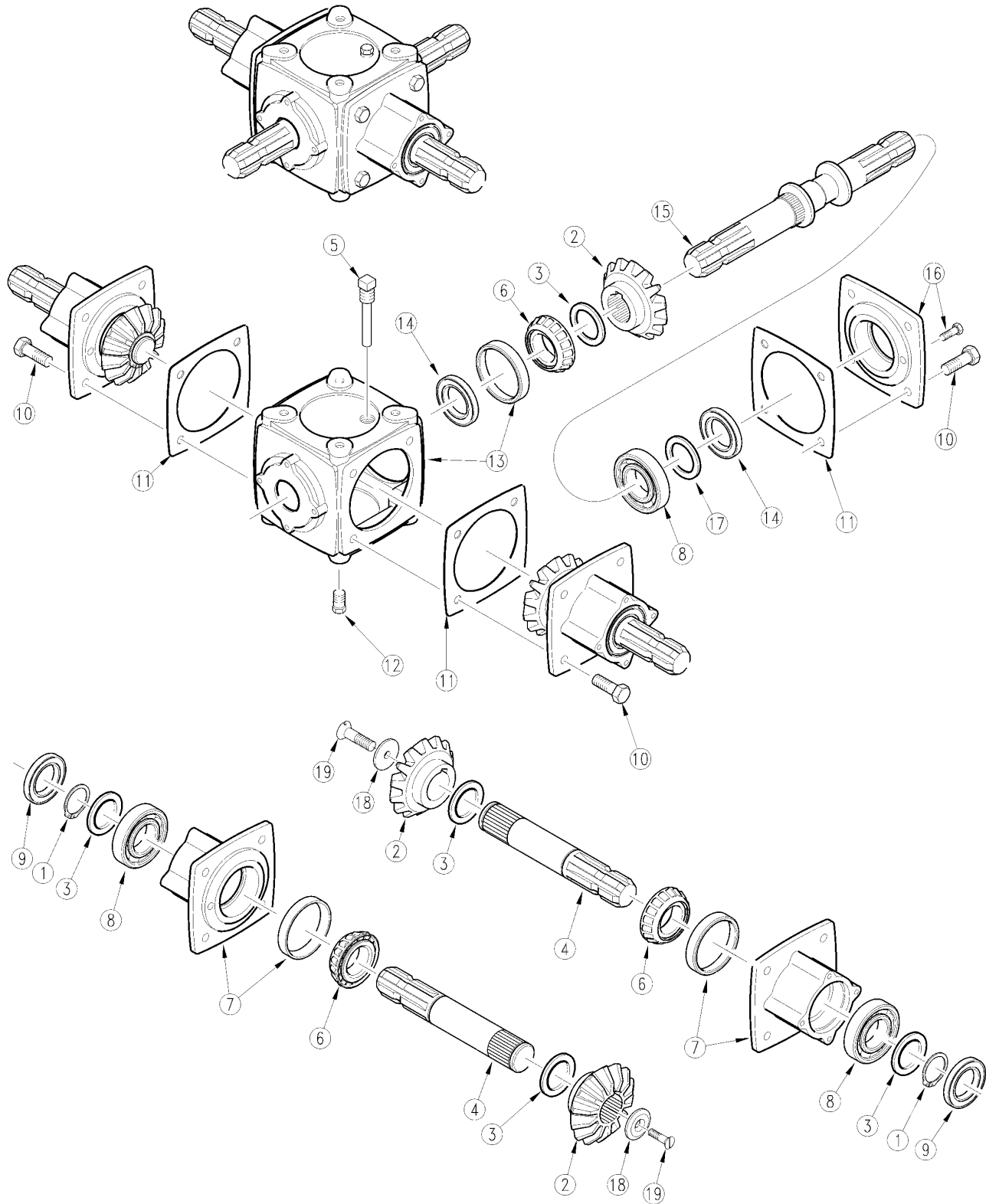
18259

**Gearbox 4-Way Splitter (826-274C) OMNI (S/N 361755+)****Applies to AFM4211**

<b>Ref</b>	<b>Part No.</b>	<b>Part Description</b>	<b>Comments</b>	<b>Revision</b>
	dwg18259	Drawing Image Number		
	826-274C	GBOX DIVIDER OMNI 250559 1:1		
1.	060133	OMNI SEAL-THROUGH CAP (3-LIP)		
2.	802-159C	HHCS 5/16-18X1 GR5		
3.	804-009C	WASHER LOCK SPRING 5/16 PLT		
4.	020166	OMNI CAP, THRU		
5.	070218	OMNI GASKET, CAP 0.10MM		
6.	070219	OMNI GASKET, CAP 0.20MM		
7.	070220	OMNI GASKET, CAP 0.30MM		
8.	140055	OMNI PLUG REL1/2-14NPTF,DPSTCK		
9.	010180	OMNI HOUSING, 400 SER. 5B MODI		
10.	120126	LOCK NUT, BEARING M30X1.5		
11.	130146	LOCKWASHER, BEARING M30		
12.	030512	OMNI GEAR, OUTPUT 20T (1:1)		
13.	050170	REP BY 050172 CUP		
14.	050172	REP BY 822-167C		
15.	020164	OMNI CAP CANTILEVERED		
16.	040345	OMNI SHAFT-OUTPUT 1 3/8-6A SPL		
17.	060134	OMNI SEAL, CANT. CAP (3-LIP)		
18.	200142	OMNI RETAINING RING, 35MM		
19.	040343	OMNI SHAFT-INPUT 1 3/8-6A SPL		
20.	200141	OMNI RTNG. RING 38MM RC DSH-38		
21.	090099	OMNI SPACER		
22.	030467	OMNI GEAR, INPUT 20T (1:1)		
23.	140004	OMNI PLUG, SOCKET HD. 1/2 PIPE		

# Gearbox 4-Way Splitter Box (826-124C) Comer

Applies to AFM4211



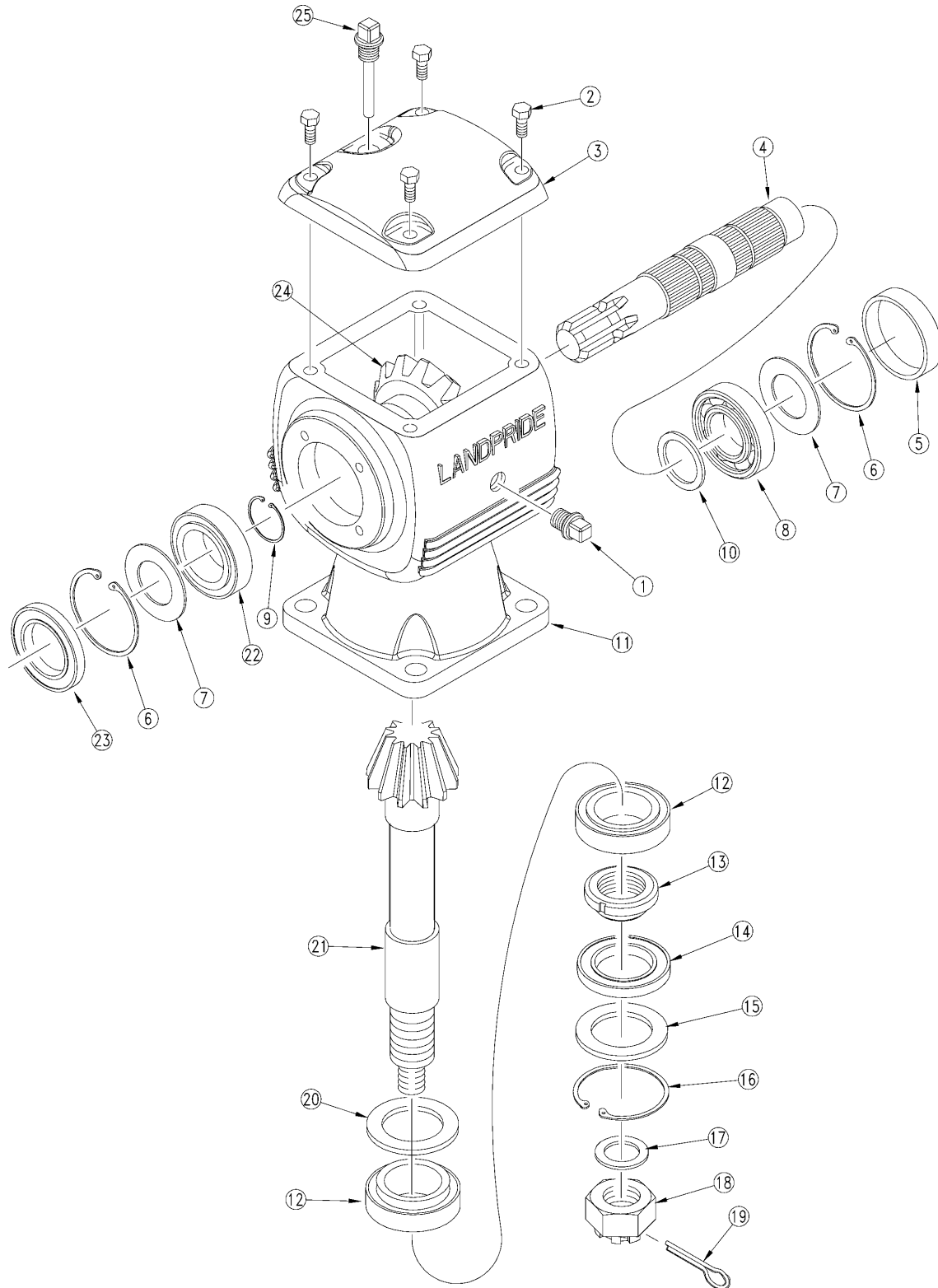
16505

**Gearbox 4-Way Splitter Box (826-124C) Comer****Applies to AFM4211**

<b>Ref</b>	<b>Part No.</b>	<b>Part Description</b>	<b>Comments</b>	<b>Revision</b>
	dwg16505	Drawing Image Number		
	826-124C	4-WAY SPLITTER BOX 1:1 RATIO		
1.	8.5.1.00005	CO SNAP RING EXT 35 UN17435		
2.	0.131.5002.00	CO GEAR Z18		
3.	0.259.7500.00	RPBY A.259.500		
4.	0.259.2223.00	CO SHAFT 1 3/8		
5.	0.259.7125.00	CO PLUG W/O DIPSTICK		
6.	8.0.9.00026	CO BEARING 30207		
7.	0.259.1300.00	CO EXTENSION HUB		
8.	822-166C	BEARING BALL 6207		
9.	8.7.3.00055	CO OIL SEAL 35 X 72 X 10		
10.	8.1.1.00090	CO CO BOLT M12 X 25 8.8		
11.	0.259.7200.00	CO GASKET		
12.	8.6.5.00006	CO OIL PLUG 3/8		
13.	0.259.0531.00	CO CASING (CASTING)		
14.	8.7.3.00028	CO OIL SEAL BA 35 X 52 X 7		
15.	0.259.4223.00	CO SHAFT 1 3/8		
16.	0.259.1305.00	CO COVER		
17.	0.248.7500.00	RPBY A.248.500		
18.	0.130.7101.00	CO BLANK WASHER		
19.	8.1.3.01645	CO BOLT M12 X 40 10.9		

# Gearbox Center & Right Deck (826-327C) Comer

Applies to AFM4211



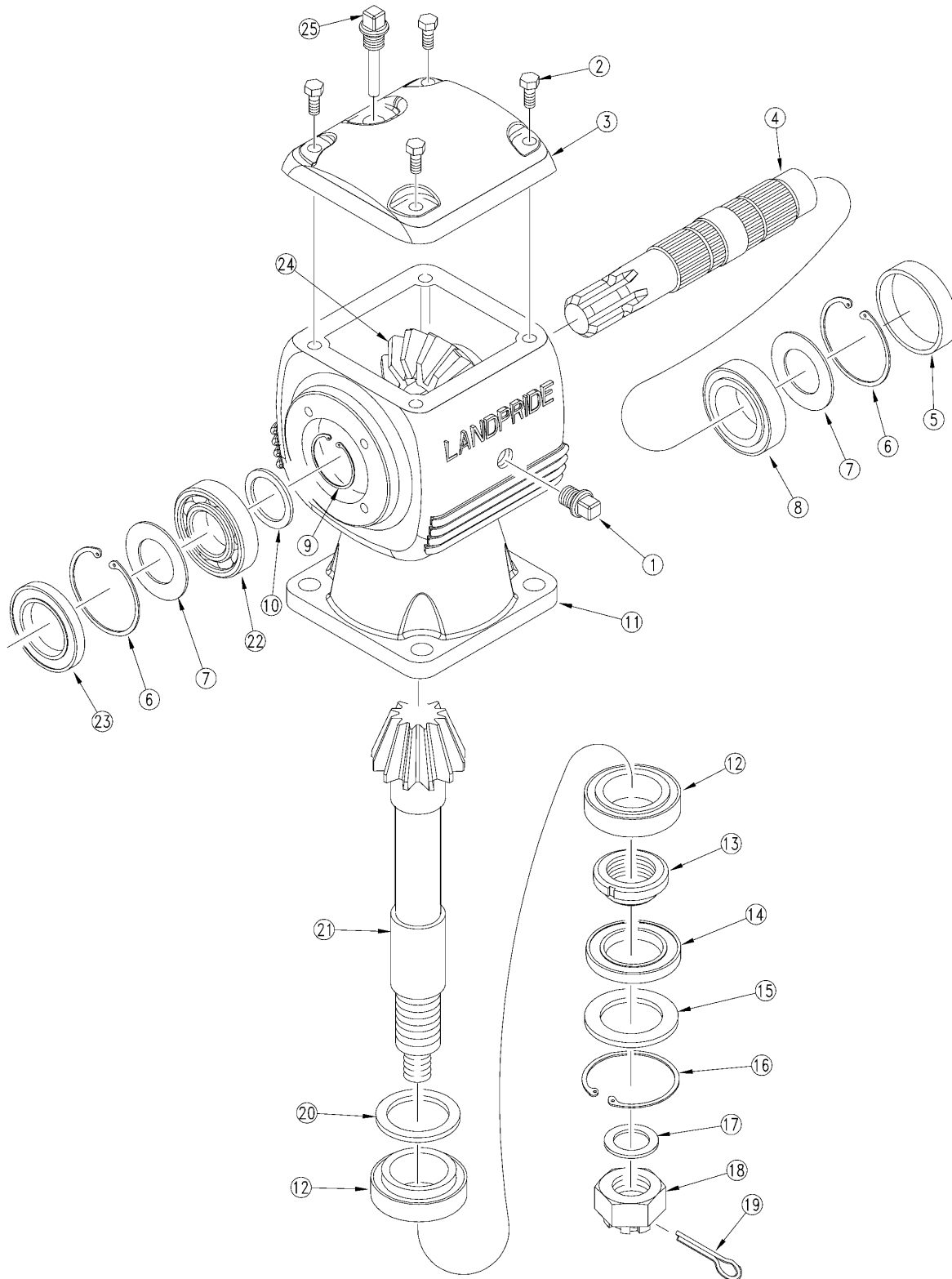
19550

***Gearbox Center & Right Deck (826-327C) Comer*****Applies to AFM4211**

<b>Ref</b>	<b>Part No.</b>	<b>Part Description</b>	<b>Comments</b>	<b>Revision</b>
	dwg19550	Drawing Image Number		
	826-327C	GBOX MOWER 50 HP 1:2.8 CCW		
	826-327C81	GBOX MOWER 50 HP 1:2.8 CCW GREEN		
	826-327C82	GBOX MOWER 50 HP 1:2.8 CCW ORANGE		
	826-327C83	GBOX MOWER 50 HP 1:2.8 CCW RED		
	826-327C84	GBOX MOWER 50 HP 1:2.8 CCW BLUE		
1.	8.6.5.00006	CO OIL PLUG 3/8		
2.	8.1.1.00501	CO BOLT M8X22 HHB		
3.	0.195.1300.00	CO COVER		
4.	0.195.2000.00	CO INPUT SHAFT 1" 3/8 Z6		
5.	8.7.0.00744	CO CAP 72 X 10		
6.	8.5.2.00131	CO SNAP RING INT 72 UN17437		
7.	A.248.500	COMER SHIM KIT 71.7		
8.	822-166C	BEARING BALL 6207		
9.	8.5.1.00680	CO SNAP RING 40 UNI 7436		
10.	0.259.7525.00	CO SHIM 35.3 X 48 X 2.5		
11.	0.195.0300.00	CO HOUSING		
12.	8.0.9.00102	CO ROLLER BEARING 32208 CL-B		
13.	0.278.7103.00	CO NUT M40 X 1.5		
14.	8.7.3.00081	CO OIL SEAL 35 X 80 X 10 RTA35		
15.	1.195.7100.00	CO PROTECTIVE FLAT WASHER		
16.	8.5.3.00955	CO SNAP RING SB 81		
17.	8.3.2.00409	CO FLAT WASHER 25 X 44 X 4		
18.	8.2.2.01144	NUT CASTLE M 24 X 2		
19.	8.4.7.00516	CO COTTER PIN B5 X 50		
20.	A244.501	CO SHIM 40.3 X 51.5 826-067C		
21.	0.195.5000.00	CO PINION Z12 M4.7		
22.	8.0.9.00026	CO ROLLER BEARING 30207 CL-B		
23.	8.7.3.00055	CO OIL SEAL 35 X 72 X 10		
24.	0.195.6000.00	CO CROWN GEAR Z33 M4.7		
25.	U0.195.7101.00	CO OIL LEVEL PLUG 3/8" GAS		

# Gearbox Left Deck (826-326C) Comer

Applies to AFM4211



19549

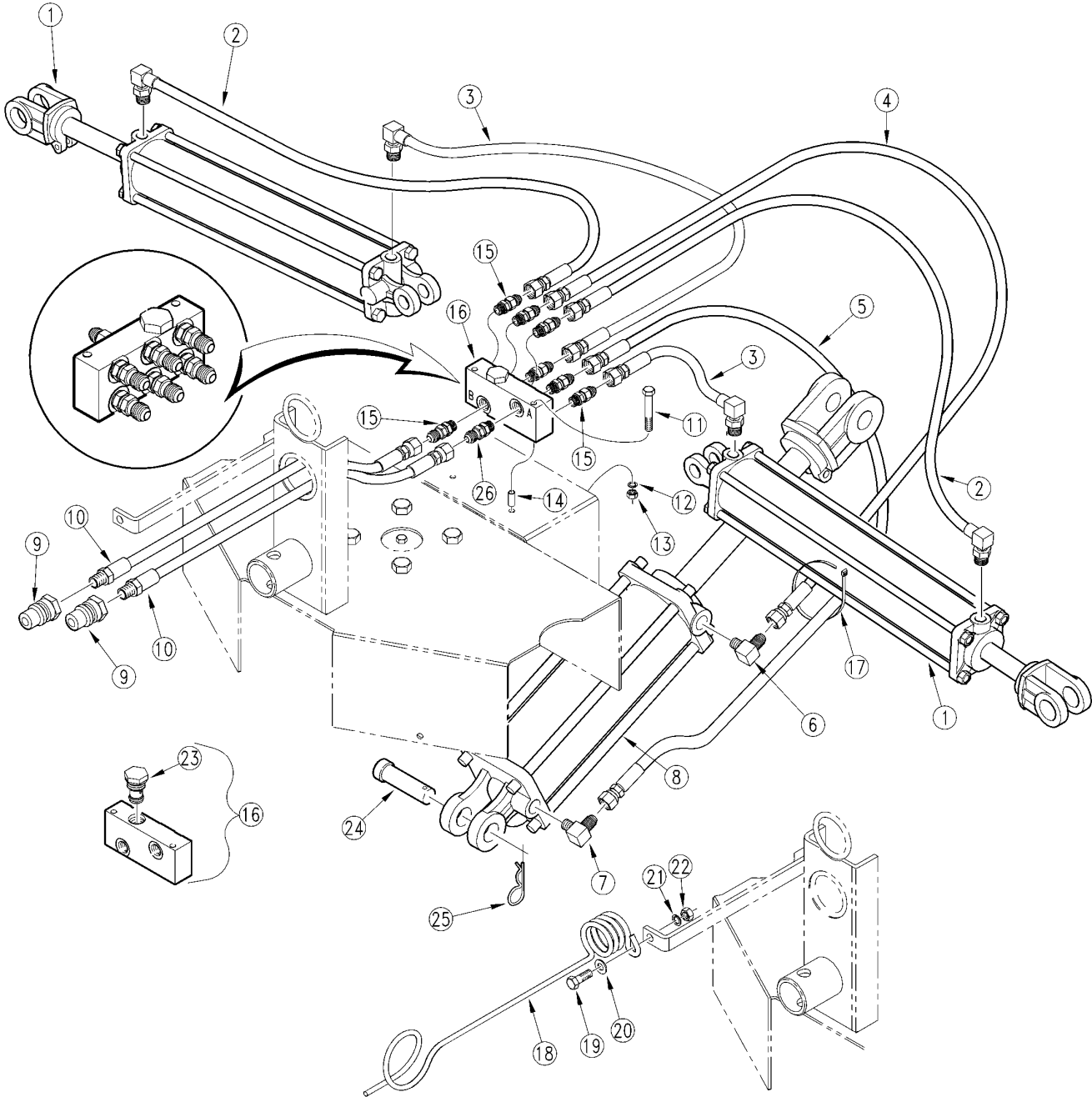


***Gearbox Left Deck (826-326C) Comer*****Applies to AFM4211**

<b>Ref</b>	<b>Part No.</b>	<b>Part Description</b>	<b>Comments</b>	<b>Revision</b>
	dwg19549	Drawing Image Number		
	826-326C	GBOX MOWER 50 HP 1:2.8 CW		
	826-326C81	GBOX MOWER 50 HP 1:2.8 CW GREEN		
	826-326C82	GBOX MOWER 50 HP 1:2.8 CW ORANGE		
	826-326C83	GBOX MOWER 50 HP 1:2.8 CW RED		
	826-326C84	GBOX MOWER 50 HP 1:2.8 CW BLUE		
1.	8.6.5.00006	CO OIL PLUG 3/8		
2.	8.1.1.00501	CO BOLT M8X22 HHB		
3.	0.195.1300.00	CO COVER		
4.	0.195.2000.00	CO INPUT SHAFT 1" 3/8 Z6		
5.	8.7.0.00744	CO CAP 72 X 10		
6.	8.5.2.00131	CO SNAP RING INT 72 UN17437		
7.	A.248.500	COMER SHIM KIT 71.7		
8.	8.0.9.00026	CO ROLLER BEARING 30207 CL-B		
9.	8.5.1.00680	CO SNAP RING 40 UNI 7436		
10.	0.259.7525.00	CO SHIM 35.3 X 48 X 2.5		
11.	0.195.0300.00	CO HOUSING		
12.	8.0.9.00102	CO ROLLER BEARING 32208 CL-B		
13.	0.278.7103.00	CO NUT M40 X 1.5		
14.	8.7.3.00081	CO OIL SEAL 35 X 80 X 10 RTA35		
15.	1.195.7100.00	CO PROTECTIVE FLAT WASHER		
16.	8.5.3.00955	CO SNAP RING SB 81		
17.	8.3.2.00409	CO FLAT WASHER 25 X 44 X 4		
18.	8.2.2.01144	NUT CASTLE M 24 X 2		
19.	8.4.7.00516	CO COTTER PIN B5 X 50		
20.	A244.501	CO SHIM 40.3 X 51.5 826-067C		
21.	0.195.5000.00	CO PINION Z12 M4.7		
22.	822-166C	BEARING BALL 6207		
23.	8.7.3.00055	CO OIL SEAL 35 X 72 X 10		
24.	0.195.6000.00	CO CROWN GEAR Z33 M4.7		
25.	U0.195.7101.00	CO OIL LEVEL PLUG 3/8" GAS		

# Hydraulic Arrangement

Applies to AFM4211



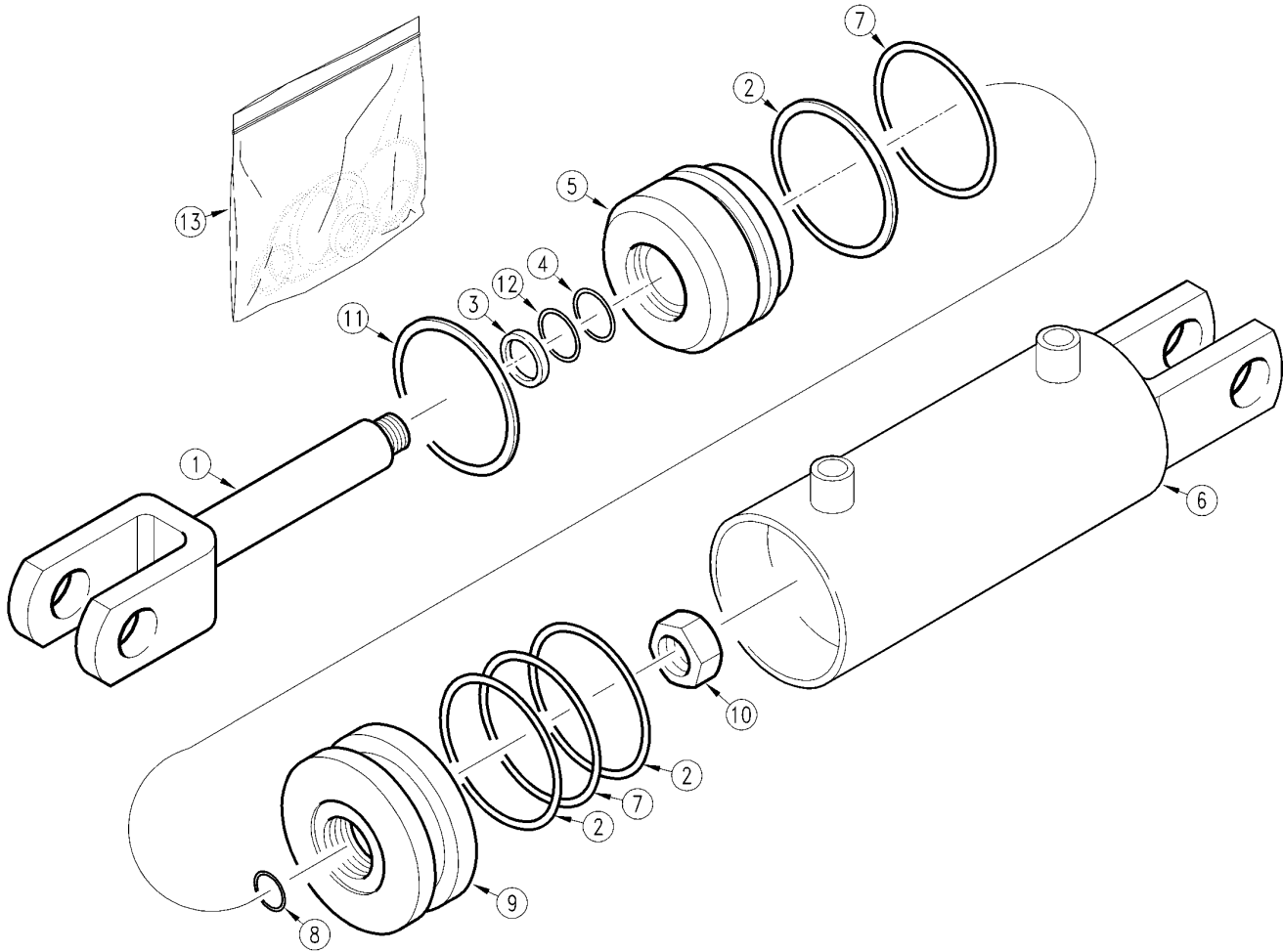
19843

**Hydraulic Arrangement****Applies to AFM4211**

<b>Ref</b>	<b>Part No.</b>	<b>Part Description</b>	<b>Comments</b>	<b>Revision</b>
	dwg19843	Drawing Image Number		
1.	810-150C	CYL 2.5X12X1.25 ROD (TIE ROD)		
2.	811-445C	HH1/4R2 035 9/16FJIC 3/8MORB90		
3.	811-444C	HH1/4R2 020 9/16FJIC 3/8MORB90		
4.	811-442C	HH1/4R2 028 9/16FJIC		
5.	811-443C	HH1/4R2 036 9/16FJIC		
6.	811-119C	EL 3/8MNPT 9/16MJIC		
7.	811-119C	EL 3/8MNPT 9/16MJIC		
8.	810-005C	CYL 2X8X1.12 ROD SINGLE ACTING		
9.	811-394C	CP 3/4FORB MALE QD		
10.	811-441C	HH1/4R2 096 9/16FJIC 3/4 MORB		
11.	802-451C	HHCS 1/4-20X4 GR5		
12.	804-006C	WASHER LOCK SPRING 1/4 PLT		
13.	803-006C	NUT HEX 1/4-20 PLT		
14.	315-743D	SPCR 1/2 OD X .28ID X 1 3/8		
15.	811-170C	AD 9/16MORB 9/16MJIC		
16.	811-495C	SP-8 PORT RELIEF 9/16-18FORB		
17.	800-060C	CABLE TIE .19X14.25 3DIA 50LB		
18.	807-023C	SPRING HOSE LOOP		
19.	802-079C	HHCS 3/8-16X1 1/4 GR5		
20.	804-012C	WASHER FLAT 3/8 SAE PLT		
21.	804-013C	WASHER LOCK SPRING 3/8 PLT		
22.	803-014C	NUT HEX 3/8-16 PLT		
23.	8026	SHMKR CRTRDG RELIEF VALVE ASSY		
24.	805-004C	PIN CLEVIS 1 X 2 3/4 USABLE LG		
25.	805-088C	PIN, HAIR COTTER 3/16 WIRE DIA		
26.	811-694C	ORAD 1/32 9/16MORB 9/16MJIC		

# Hydraulic Cylinder (810-005C) Energy

Applies to AFM4211



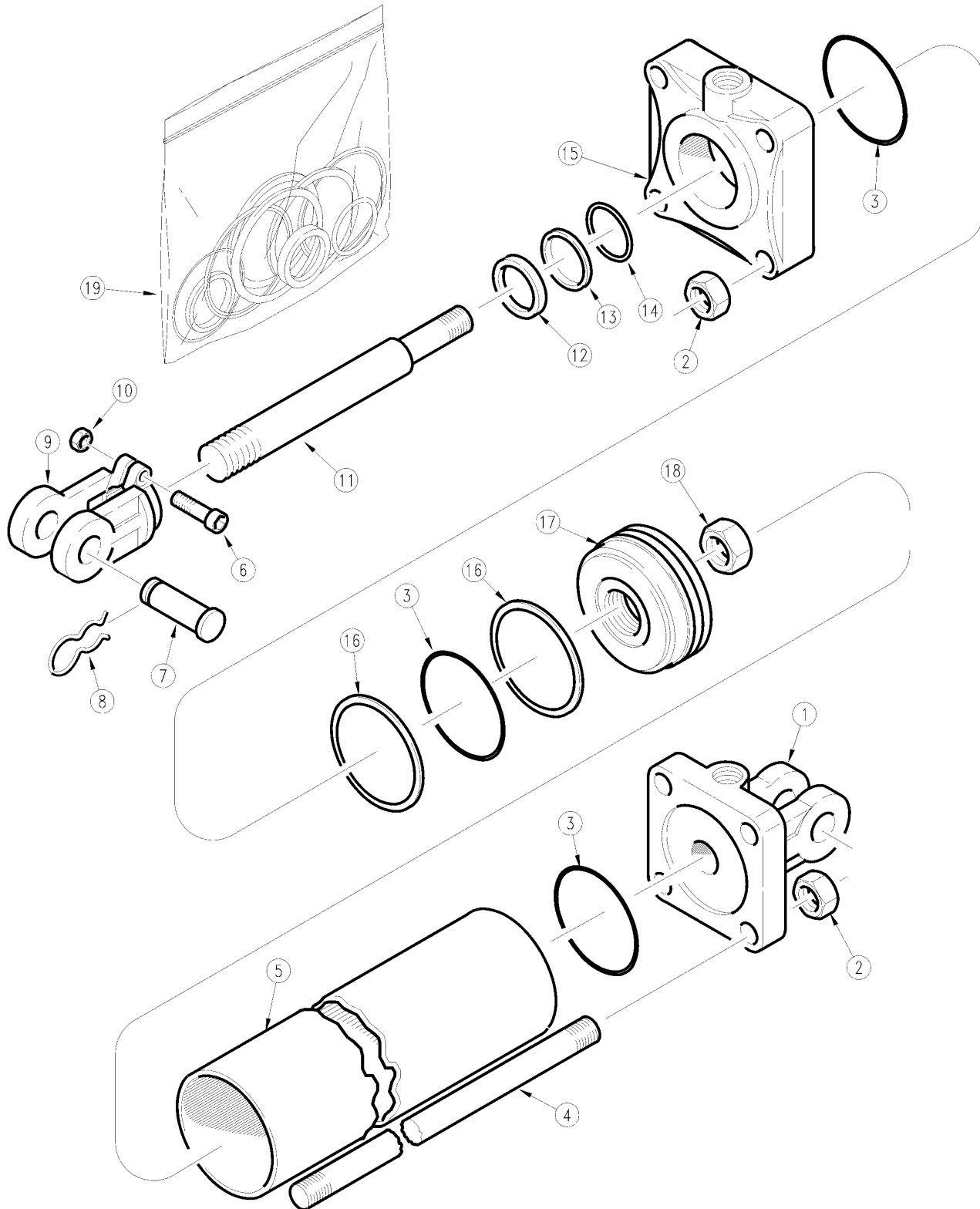
10207

**Hydraulic Cylinder (810-005C) Energy****Applies to AFM4211**

<b>Ref</b>	<b>Part No.</b>	<b>Part Description</b>	<b>Comments</b>	<b>Revision</b>
	dwg10207	Drawing Image Number		
	810-005C	CYL 2X8X1.12 ROD SINGLE ACTING		
1.	A-2526	EGY PISTON ROD		
2.		BACKUP RING 2" OD	Only found in seal kit 13.	
3.		ROD WIPER	Only found in seal kit 13.	
4.		O-RING 1 1/8" ID X 1 3/8" OD	Only found in seal kit 13.	
5.	A-1906	EGY PISTON ROD GUIDE		
6.	B-988	EGY CYLINDER BODY		
7.		O-RING 1 5/8" ID X 2" OD	Only found in seal kit 13.	
8.		O-RING 3/4" ID X 7/8" OD	Only found in seal kit 13.	
9.	A-1845	EGY PISTON		
10.	82464	EGY 7/8-14UNF REG HEX LOCK NUT		
11.	83198	EGY RETAINER RING INTERNAL		
12.		BACKUP RING 1 3/8" OD	Only found in seal kit 13.	
13.	810-012C	CYL SEAL KIT 2 X 8 (ENERGY)		

# Hydraulic Cylinder (810-150C) Midway

Applies to AFM4211



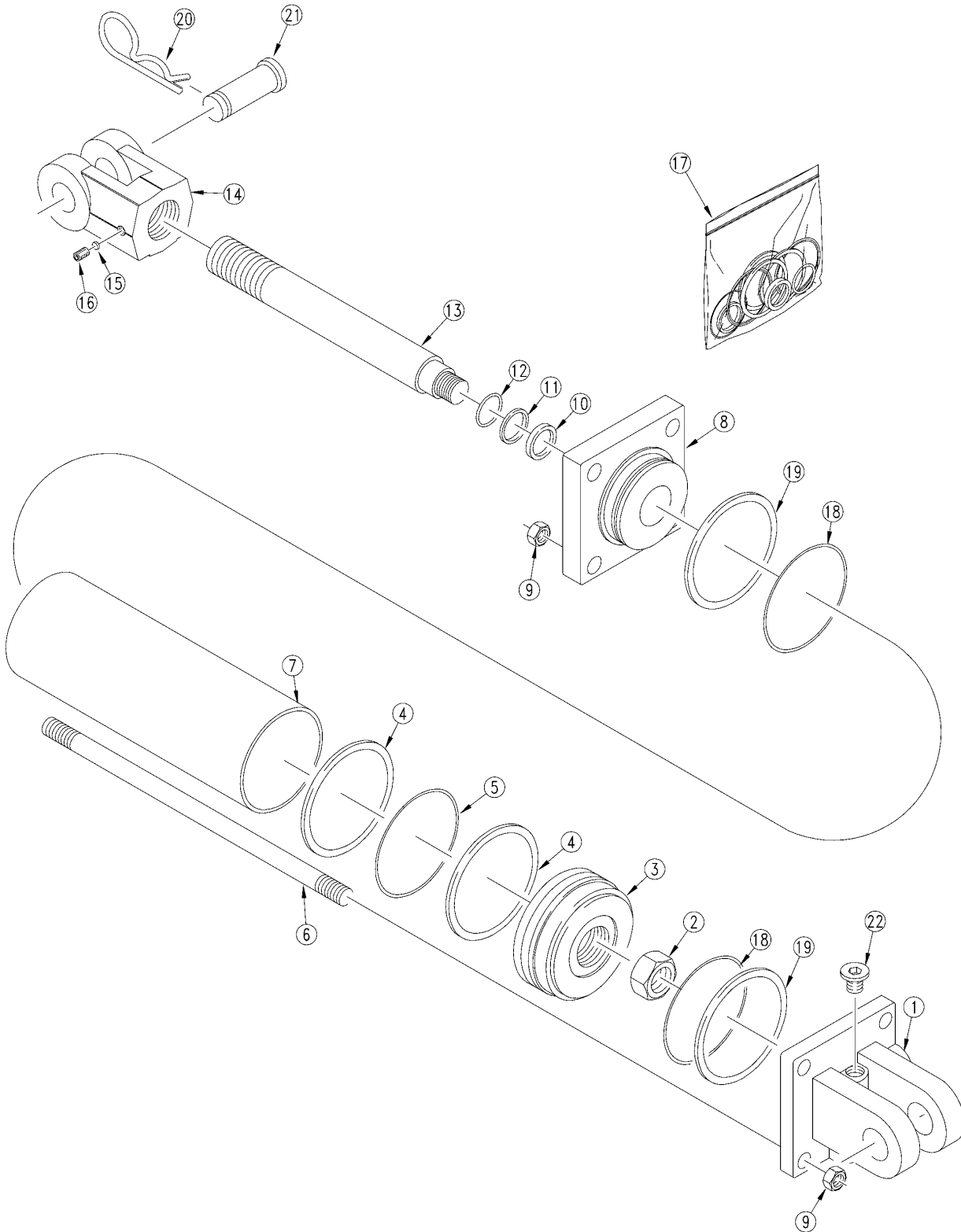
11421

***Hydraulic Cylinder (810-150C) Midway*****Applies to AFM4211**

<b>Ref</b>	<b>Part No.</b>	<b>Part Description</b>	<b>Comments</b>	<b>Revision</b>
	dwg11421	Drawing Image Number		
	810-150C	CYL 2.5X12X1.25 ROD (TIE ROD)		
1.	6M3118	MW BASE		
1.	1D1505-3	BASE CROSS		
2.	2A0012	MW NUT CLEVIS & TIE ROD		
2.	2A0235-6	CROSS NUT, CLEVIS & TIE ROD		
3.		O-RING	Only found in seal kit 19.	
4.	7M3320	MW TIE ROD		
4.	2A0578-1675	TIE ROD CROSS		
5.	5M3120	MW TUBE		
5.	1D0005-1450	TUBE CROSS		
6.	2A0006	MW CAPSCREW		
6.	2A0079-616	CROSS SCREW, CAP		
7.	2A0208	MW CLEVIS PIN		
7.	1D1551-16275	CROSS CLEVIS PIN		
8.	2A0132	MW PIN CLIP		
8.	2A0308-1	CROSS PIN, CLIP		
9.	1M6010	MW CLEVIS STD. DUTY		
9.	1D1003-5	CROSS ROD CLEVIS		
10.	2A0012	MW NUT CLEVIS & TIE ROD		
10.	2A0235-6	CROSS NUT, CLEVIS & TIE ROD		
11.	2M3418	MW ROD		
11.	1D0206-1675	ROD CROSS		
12.		WIPER	Only found in seal kit 19.	
13.		BACKUP ROD	Only found in seal kit 19.	
14.		O-RING	Only found in seal kit 19.	
15.	3M3406	MW HEAD		
15.	1D1155-17	HEAD CROSS		
16.		BACKUP PISTON	Only found in seal kit 19.	
17.	4M3102	MW PISTON 2 1/2 CYL		
17.	1D1401-250	PISTON CROSS		
18.	2A0022	MW NUT, PISTON		
18.	2A0246-12	CROSS NUT, PISTON		
19.	810-177C	SEAL KIT MW 2.5X1.25ROD 3A3104		
19.	810-178C	SEAL KIT CROSS 2.5 CYL 1C4982		

# Hydraulic Cylinder (810-150C) Red Lion

Applies to AFM4211



14284

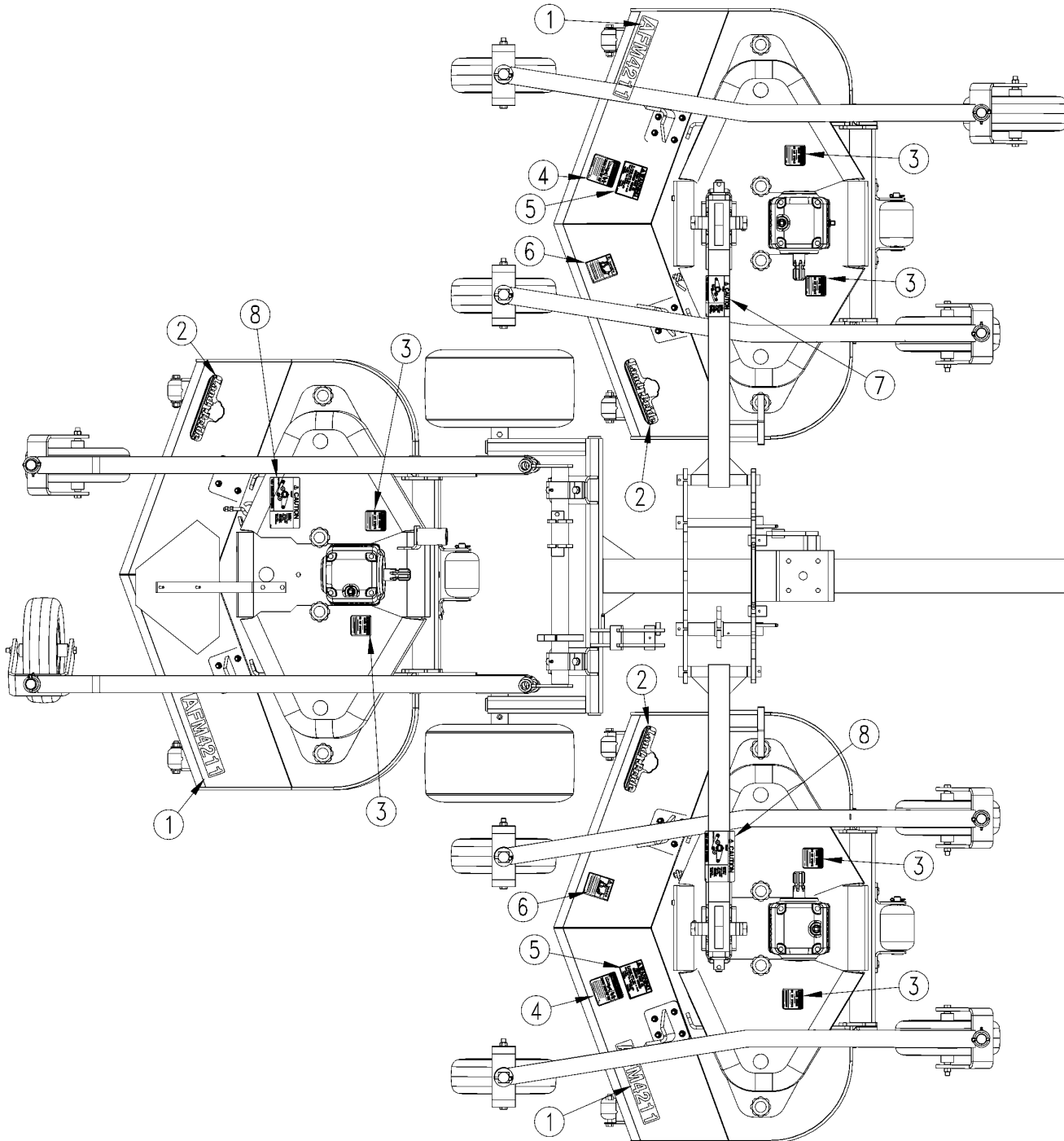


***Hydraulic Cylinder (810-150C) Red Lion*****Applies to AFM4211**

<b>Ref</b>	<b>Part No.</b>	<b>Part Description</b>	<b>Comments</b>	<b>Revision</b>
	dwg14284	Drawing Image Number		
	810-150C	CYL 2.5X12X1.25 ROD (TIE ROD)		
1.	492688	LION CLEVIS CAP 2.5, 9/16 ORB		
2.	129090	LION NUT 3/4UNC		
3.	492529	LION PISTON 2.5 DIA CST DI		
4.	197793	LION SEAL 073-330		
5.	198100	LION O RING 330		
6.	491672	LION CYL TUBE 2.5 X 12		
7.	492222	LION TIE ROD 3/8, 12 CYL		
8.	492724	LION ROD CAP 2.5X1.25 9/16 ORB		
9.	803-014C	NUT HEX 3/8-16 PLT		
10.	199110	LION WIPER SEAL		
11.	198800	LION O RING 218		
12.	197783	LION SEAL 074-218		
13.	492647	LION ROD 1.25 X 12		
14.	492650	LION ROD CLEVIS 1 1/8-12UNF		
15.	498006	LION THREAD LOCK-NYLON		
16.	801-023C	SCREW SET SH 3/8-16X3/8 TYPE C		
17.	810-254C	SEAL KIT LN 639574 2.5BX1.25RD		
18.	198680	LION O RING 228		
19.	197797	LION SEAL 073-228		
20.	134952	LION PIN CLIP-CLEVIS		
21.	134953	LION PIN		
22.	186561	PLUG 9/16-18UNF MORB SOCKET HD		

**Label Placement Page 1 of 2**

Applies to AFM4211



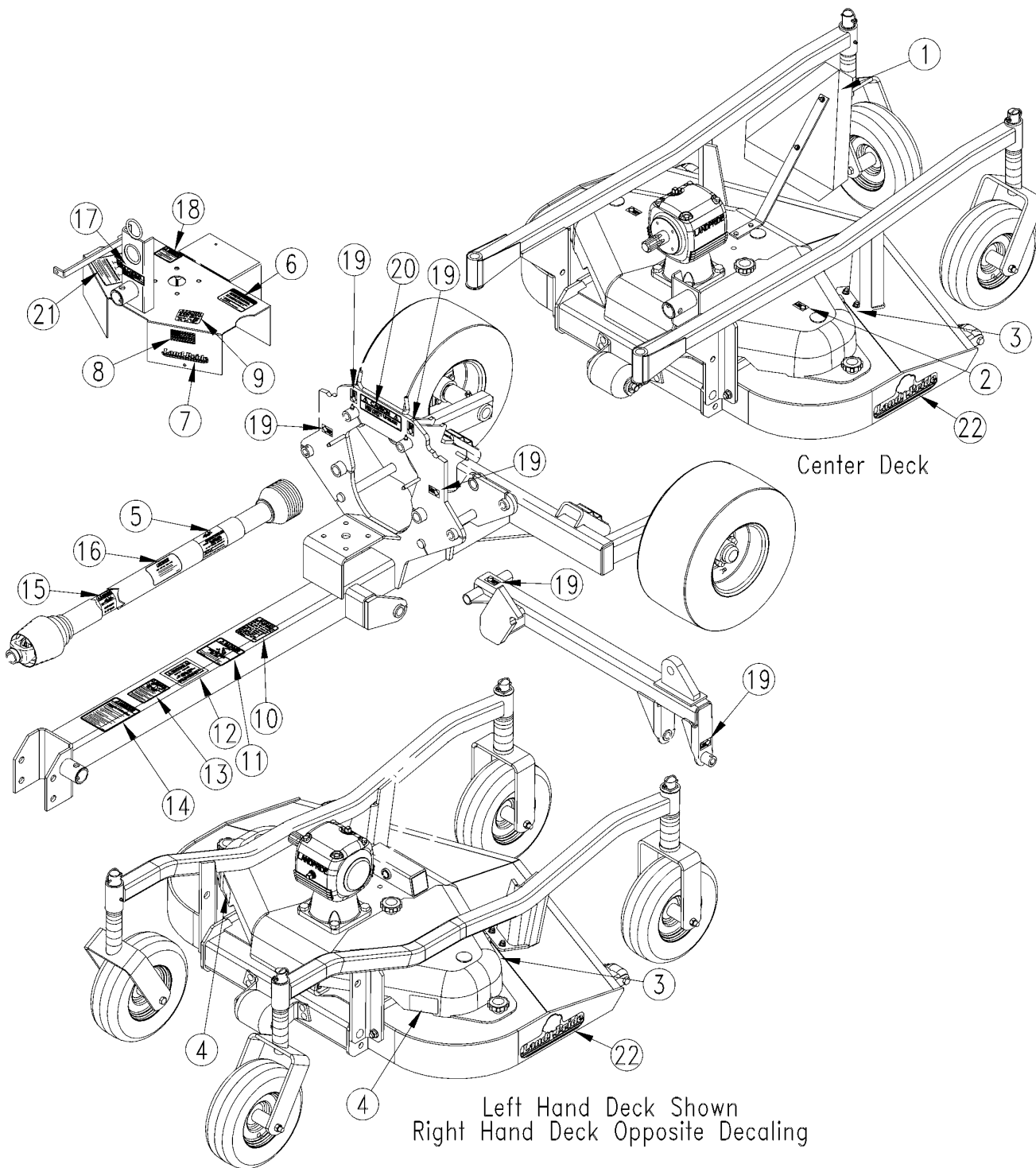
19842

**Label Placement Page 1 of 2****Applies to AFM4211**

<b>Ref</b>	<b>Part No.</b>	<b>Part Description</b>	<b>Comments</b>	<b>Revision</b>
	dwg19842	Drawing Image Number		
1.	838-344C	DECAL AFM4211 BROWN	Beige Unit	
1.	838-896C	DECAL AFM4211-GOLD	Green, Orange, Red & Blue Unit	
2.	818-890C	DECAL LP W/TREE 10" - 2 COLOR	Beige Unit	
2.	838-963C	DECAL LP 10" W/TREE BROWN/GOLD	Green, Orange, Red & Blue Unit	
3.	818-543C	DECAL DANGER PD GUARD MISS SML	Beneath all belt guards	
4.	818-555C	DECAL DANGER ROTATE BLADE		
5.	818-045C	DECAL WARNING PINCH PT/CRUSH		
6.	818-556C	DECAL DANGER THROWN OBJ CUTTER		
7.	838-270C	DECAL V-BELT INSTALLATION CW	Beneath belt guard	
8.	838-345C	DECAL V-BELT INSTALLATION CCW	Beneath belt guard	

**Label Placement Page 2 of 2**

Applies to AFM4211



19867

**Label Placement Page 2 of 2****Applies to AFM4211**

<b>Ref</b>	<b>Part No.</b>	<b>Part Description</b>	<b>Comments</b>	<b>Revision</b>
	dwg19867	Drawing Image Number		
1.	818-055C	DECAL SLOW MOVING-GALV. BACKED		
2.	818-298C	DECAL GREASE 25HRS BLACK/WHITE	One per belt guard	
3.	818-230C	DECAL RED REFLECTOR	Back of both center deck belt guards	
4.	818-229C	DECAL AMBER REFLECTOR	On each wing deck outerbelt guard	
5.	818-552C	DECAL DANGER PTO DRIVELINE		
6.	818-560C	DECAL NOTICE TO OWNER-NO WARRA		
7.	838-036C	DECAL LANDPRIDE 6"- BEIGE	Beige Unit	
7.	838-967C	DECAL LANDPRIDE 6" BROWN/GOLD	Green, Orange, Red & Blue Unit	
8.	818-190C	DECAL FLAG		
9.	818-130C	DECAL CAUTION 540 RPM		
10.	818-680C	DECAL IMPORTANT - SLIP CLUTCH		
11.	818-561C	DECAL DANGER RAISED WING HAZAR		
12.	818-019C	DECAL WARNING NEG TONGUE WT		
13.	818-339C	DECAL WARNING HIGH PRESSUR SML		
14.	818-558C	DECAL WARNING GEN SAFE MOWER		
15.	818-540C	DECAL DANGER GUARD MISS PTO	Beneath all driveline shields	
16.	818-448C	DECAL PTO 826-125C	Main Driveline	
16.	818-449C	DECAL PTO 826-126C	Left & Right Hand Deck Driveline	
16.	818-450C	DECAL PTO 826-127C	Center Deck Driveline	
17.	818-353C	DECAL CAUTION TRANSP LOCK DISE		
18.	818-337C	DECAL WARNING 20 MPH TRANS SML		
19.	818-138C	DECAL GREASE EVERY 25 HOURS		
20.	818-351C	DECAL CAUTION TRANSP LOCK ENGD		
21.	818-488C	DECAL PTO MAINTENANCE CV		
22.	818-890C	DECAL LP W/TREE 10" - 2 COLOR	Beige Unit	
22.	838-963C	DECAL LP 10" W/TREE BROWN/GOLD	Green, Orange, Red & Blue Unit	



# Part Number Index

The Part Number Index is a numeric index of all part numbers included in this manual. The index shows what page(s) the part is used on.

Part Number	Page	Part Number	Page	Part Number	Page	Part Number	Page
0.130.7101.00	.....61	1136009	.....55	1D1401-250	.....71	315-479H84	.....37
0.131.5002.00	.....61	1136010	.....55, 57	1D1505-3	.....71	315-480H	.....33
0.195.0300.00	.....63, 65	120126	.....59	1D1551-16275	.....71	315-480H81	.....33
0.195.1300.00	.....63, 65	1213233	.....43, 51	1M6010	.....71	315-480H82	.....33
0.195.2000.00	.....63, 65	1215733	.....47	200141	.....59	315-480H83	.....33
0.195.5000.00	.....63, 65	1215735	.....47	200142	.....59	315-480H84	.....33
0.195.6000.00	.....63, 65	1216907	.....55	2A0006	.....71	315-481H	.....37
0.248.7500.00	.....61	1216914	.....55, 57	2A0012	.....71	315-481H81	.....37
0.259.0531.00	.....61	129090	.....73	2A0022	.....71	315-481H82	.....37
0.259.1300.00	.....61	130146	.....59	2A0079-616	.....71	315-481H83	.....37
0.259.1305.00	.....61	134952	.....73	2A0132	.....71	315-481H84	.....37
0.259.2223.00	.....61	134953	.....73	2A0208	.....71	315-482H	.....27, 29
0.259.4223.00	.....61	140004	.....59	2A0235-6	.....71	315-482H81	.....27, 29
0.259.7125.00	.....61	140055	.....59	2A0246-12	.....71	315-482H82	.....27, 29
0.259.7200.00	.....61	1465000	.....55	2A0308-1	.....71	315-482H83	.....27, 29
0.259.7500.00	.....61	1465001	.....57	2A0578-1675	.....71	315-482H84	.....27, 29
0.259.7525.00	.....63, 65	1465305	.....55	2M3418	.....71	315-485D	.....13
0.278.7103.00	.....63, 65	1465605	.....47	304149	.....53	315-486D	.....13
010180	.....59	1524903	.....51	310-090H	.....31, 33, 37	315-487D	.....7
020164	.....59	1524904	.....43	310-224D	.....19, 21	315-487H	.....23
020166	.....59	1525035	.....51	310-248S	.....19	315-487H81	.....23
020614	.....41, 49	1525057	.....43	310-251D	.....31, 33, 37	315-487H82	.....23
020616	.....45	1526073	.....47	310-251S	.....17, 21	315-487H83	.....23
020672	.....45	1527906	.....47	310-252D	.....31, 33, 37	315-487H84	.....23
020692	.....53	168556	.....53	310-300D	.....19	315-488D	.....13
030467	.....59	1704027	.....43, 51	310-331D	.....23, 27, 29	315-494D	.....17, 21
030512	.....59	1704029	.....43, 51	310-348S	.....19	315-502H	.....31
040343	.....59	1705009	.....55, 57	310-349S	.....19	315-502H81	.....31
040345	.....59	1705029	.....47	310-350S	.....21	315-502H82	.....31
041065	.....41, 49	1706065	.....55	310-352S	.....21	315-502H83	.....31
041068	.....49	1706085	.....57	310-359D	.....31, 33, 37	315-502H84	.....31
041180	.....53	172-242D	.....17, 19, 21	310-457D	.....17, 19, 21	315-503H	.....31
041577	.....45	172762	.....45	310-493D	.....17, 19, 21	315-503H81	.....31
043487	.....53	175-060D	.....7	310-494D	.....17, 19, 21	315-503H82	.....31
044321	.....41, 43, 45, 47, 49, 51	175-061D	.....7	310-631D	.....17	315-503H83	.....31
044439	.....41, 49	1784210	.....43, 51	315-037V	.....23	315-503H84	.....31
044444	.....45	1784211	.....43, 51	315-098H	.....33, 37	315-504H	.....19, 27
045790	.....53	1784212	.....43, 51	315-134H	.....13	315-504H81	.....19, 27
045793	.....53	1785710	.....47	315-135H	.....13	315-504H82	.....19, 27
047825	.....53	1785711	.....47	315-136H	.....7	315-504H83	.....19, 27
048755	.....41	1786801	.....47	315-137H	.....13	315-504H84	.....19, 27
050170	.....59	1806010	.....55, 57	315-142H	.....13	315-505H	.....17, 21, 23, 29,
050172	.....59	180909	.....49	315-145H	.....39		31, 33
051551	.....53	186561	.....73	315-166S	.....11	315-505H81	.....17, 21, 23, 29,
053313	.....41, 49, 53	1872903	.....51	315-175H	.....7		31, 33
060133	.....59	1872905	.....43	315-183H	.....7	315-505H82	.....17, 21, 23, 29,
060134	.....59	1873903	.....51	315-245D	.....33, 37		31, 33
070218	.....59	1873905	.....43	315-246D	.....33, 37	315-505H83	.....17, 21, 23, 29,
070219	.....59	1876903	.....47	315-247D	.....33, 37		31, 33
070220	.....59	1877903	.....47	315-248D	.....33, 37	315-505H84	.....17, 21, 23, 29,
087276	.....45	1884201	.....43, 51	315-274H	.....9		31, 33
087279	.....41, 49	1884202	.....43, 51	315-369H	.....9	315-515H	.....23, 27, 29
090099	.....59	1884203	.....43, 51	315-375S	.....19	315-516S	.....23, 27, 29
1.195.7100.00	.....63, 65	1884205	.....43, 51	315-377S	.....21	315-516S81	.....23, 27, 29
10-097	.....15	1885702	.....47	315-399S	.....31, 33, 37	315-516S82	.....23, 27, 29
1004020	.....43, 51	1885709	.....47	315-400S	.....33, 37	315-516S83	.....23, 27, 29
1004225	.....43, 47, 51, 57	1886802	.....47	315-449H	.....9	315-516S84	.....23, 27, 29
1005020	.....47	196837	.....41, 49	315-473S	.....13	315-543D	.....7
1006830	.....47	196839	.....45	315-474H	.....13	315-544D	.....7
1006831	.....47	197783	.....73	315-475A	.....13	315-743D	.....67
1006865	.....47	197793	.....73	315-476A	.....13	315-753D	.....9
1006899	.....47	197797	.....73	315-478H	.....33	315-754D	.....9
1014010	.....43	198100	.....73	315-478H81	.....33	315-768D	.....9
1014012	.....43, 51	198680	.....73	315-478H82	.....33	315-852D	.....13
1134011	.....57	198800	.....73	315-478H83	.....33	315-880D	.....23, 27, 29
1134012	.....57	199110	.....73	315-478H84	.....33	315-880D81	.....23, 27, 29
1136006	.....55	1D0005-1450	.....71	315-479H	.....37	315-880D82	.....23, 27, 29
1136007	.....55	1D0206-1675	.....71	315-479H81	.....37	315-880D83	.....23, 27, 29
1136008	.....55, 57	1D1003-5	.....71	315-479H82	.....37	315-880D84	.....23, 27, 29
		1D1155-17	.....71	315-479H83	.....37	315-881D	.....23, 27, 29

## Table of Contents    Part Number Index



## Part Number Index (continued)

Part Number	Page	Part Number	Page	Part Number	Page	Part Number	Page
315-881D81	23, 27, 29	8.7.3.00055	61, 63, 65	804-013C	67	818-353C	77
315-881D82	23, 27, 29	8.7.3.00081	63, 65	804-014C	17, 19, 21	818-448C	45, 77
315-881D83	23, 27, 29	800-001C	7, 15, 17, 19, 21,	804-015C	7, 39	818-449C	49, 77
315-881D84	23, 27, 29		31, 33, 37	804-016C	7, 9	818-450C	41, 77
319624	45	800-060C	67	804-019C	9, 17, 19, 21	818-488C	77
338531	53	800-080C	7, 13	804-022C	17, 19, 23, 27, 29	818-540C	41, 43, 45, 47,
341953	53	800-130C	19, 21	804-023C	9		49, 51, 77
355154	41, 49	800-136C	13	804-024C	9	818-543C	75
355155	45	800-157C	19, 21	804-025C	7, 13, 15, 23, 27,	818-552C	41, 43, 45, 47,
365305	41, 45, 49	800-372C	19, 21		29		49, 51, 77
366862	45	801-018C	23	804-029C	23, 27, 29	818-555C	75
377234	41, 49	801-023C	73	804-062C	23	818-556C	75
377240	41, 49	802-005C	23	804-093C	17, 19, 21	818-558C	77
377335	45	802-015C	23, 27, 29, 31,	804-110C	17, 19, 21	818-560C	77
380371	41, 45, 49		33, 37	805-004C	7, 67	818-561C	77
381495	53	802-041C	23, 27, 29	805-015C	31, 33, 37	818-680C	77
381957	53	802-051C	17, 19, 21	805-016C	23, 27, 29	818-890C	75, 77
382701	45	802-053C	17, 19, 21	805-017C	23, 27, 29	822-006C	17, 19, 21
382710	45	802-060C	9	805-045C	7, 13, 15	822-030C	15
384517	45	802-079C	67	805-081C	9	822-045C	35
386163	45	802-091C	7	805-088C	7, 67	822-050C	35
388954	45	802-095C	9	805-126C	7	822-080C	15
388957	45	802-114C	9	805-142C	13	822-161C	17, 19, 21
389961	45	802-125C	15	805-228C	7	822-166C	61, 63, 65
390002	41	802-128C	39	807-023C	67	82464	69
390404	41, 45, 49	802-152C	7, 13	807-026C	7, 13	826-124C	39, 61
392045	41	802-159C	59	807-068C	17, 19, 21	826-125C	39, 45
392046	41	802-167C	13	807-176C	23	826-126C	39, 49
392047	49	802-203C	23, 27, 29	808-075C	17, 19, 21	826-127C	39, 41
392048	49	802-205C	9	808-129C	17, 19, 21	826-274C	39, 59
392049	49	802-214C	31, 33, 37	808-336C	23, 27, 29	826-326C	27, 65
3M3406	71	802-229C	17, 19, 21	810-005C	7, 67, 69	826-326C81	27, 65
401-372D	9	802-235C	9	810-012C	69	826-326C82	27, 65
491672	73	802-246C	23, 27, 29	810-150C	13, 67, 71, 73	826-326C83	27, 65
492107	15	802-283C	9	810-177C	71	826-326C84	27, 65
492222	73	802-305C	31, 33, 37	810-178C	71	826-327C	23, 29, 63
492529	73	802-360C	9	810-254C	73	826-327C81	23, 29, 63
492647	73	802-370C	13	811-119C	67	826-327C82	24, 29, 63
492650	73	802-444C	39	811-170C	67	826-327C83	24, 29, 63
492688	73	802-451C	67	811-394C	67	826-327C84	24, 29, 63
492724	73	802-458C	39	811-441C	67	826-369C	39
498006	73	802-668C	17, 19, 21	811-442C	67	826-372C	39
4M3102	71	802-689C	39	811-443C	67	826-373C	39, 43
506-4R-I	35	802-695C	19	811-444C	67	827-056C	31, 33, 37
5M3120	71	802-696C	17, 21	811-445C	67	83198	69
6040816	57	8026	67	811-495C	67	838-036C	77
6041016	55	803-006C	67	811-694C	67	838-270C	75
6280313	47	803-007C	7, 13	814-118C	15	838-344C	75
6330855	43, 51	803-013C	9	814-172C	31, 33, 35, 37	838-345C	75
6330860	43, 51	803-014C	17, 19, 21, 67, 73	815-104C	15	838-896C	75
6331065	47	803-019C	23, 27, 29	816-014C	15	838-963C	75, 77
6331075	47	803-022C	23, 27, 29	816-142C	17, 19, 21	838-967C	77
6560006	43, 47, 51	803-027C	9	816-298C	23, 27, 29	890-005C	13
6821280	55	803-037C	23, 27, 29, 31,	816-504C	9	890-068C	15
6M3118	71		33, 37	817-082C	23, 27, 29	890-118C	9
7M3320	71	803-038C	9	817-195C	23, 27, 29	890-182C	9
8.0.9.00026	61, 63, 65	803-053C	15	817-358C	23, 27, 29	890-202C	31, 33, 37
8.0.9.00102	63, 65	803-095C	23, 27, 29	817-441C	23, 27, 29	890-219C	19
8.1.1.00090	61	803-114C	17, 19, 21	817-442C	23, 27, 29	890-322C	17, 21
8.1.1.00501	63, 65	803-115C	17, 19, 21	818-019C	77	890-323C	19
8.1.3.01645	61	803-148C	9	818-045C	75	890-324C	17, 21
8.2.2.01144	63, 65	803-159C	15	818-055C	23, 77	890-325C	19
8.3.2.00409	63, 65	803-198C	23, 27, 29, 31,	818-130C	77	890-326C	17, 21
8.4.7.00516	63, 65		33, 37	818-138C	77	890-331C	13
8.5.1.00005	61	803-263C	17, 19, 21	818-190C	77	890-332C	11
8.5.1.00680	63, 65	803-293C	23	818-229C	77	890-337C	11
8.5.2.00131	63, 65	803-298C	31, 33, 37	818-230C	77	890-589C	11
8.5.3.00955	63, 65	804-006C	9, 67	818-298C	77	890-641C	17, 19, 21
8.6.5.00006	61, 63, 65	804-007C	9	818-337C	77	890-700C	19
8.7.0.00744	63, 65	804-009C	59	818-339C	77	890-701C	17, 21
8.7.3.00028	61	804-012C	67	818-351C	77	9190601	47



## Part Number Index (continued)

---

<u>Part Number</u>	<u>Page</u>
990-109R .....	19, 21
A-1845 .....	69
A-1906 .....	69
A-2526 .....	69
A.248.500 .....	63, 65
A244.501 .....	63, 65
B-988 .....	69
dwg10207 .....	69
dwg10499 .....	35
dwg10600 .....	53
dwg11421 .....	71
dwg12645 .....	15
dwg12660 .....	45
dwg12661 .....	49
dwg12691 .....	11
dwg12887 .....	41
dwg14284 .....	73
dwg16505 .....	61
dwg18259 .....	59
dwg19549 .....	65
dwg19550 .....	63
dwg19789 .....	9
dwg19817 .....	13
dwg19842 .....	75
dwg19843 .....	67
dwg19867 .....	77
dwg19902 .....	7
dwg20648 .....	23
dwg20649 .....	31
dwg20650 .....	21
dwg20651 .....	29
dwg20652 .....	33
dwg20653 .....	19
dwg20654 .....	27
dwg20655 .....	37
dwg20657 .....	17
dwg22040 .....	39
dwg22041 .....	51
dwg22042 .....	43
dwg22043 .....	47
dwg22044 .....	57
dwg23888 .....	55
GS-3 .....	35
HSS-34 .....	35
TR-412 .....	15
U0.195.7101.00 .....	63, 65



***This Page Intentionally Left Blank***



Great Plains Manufacturing, Inc.

Corporate Office: P.O. Box 5060  
Salina, Kansas 67402-5060 USA

[www.landpride.com](http://www.landpride.com)

---