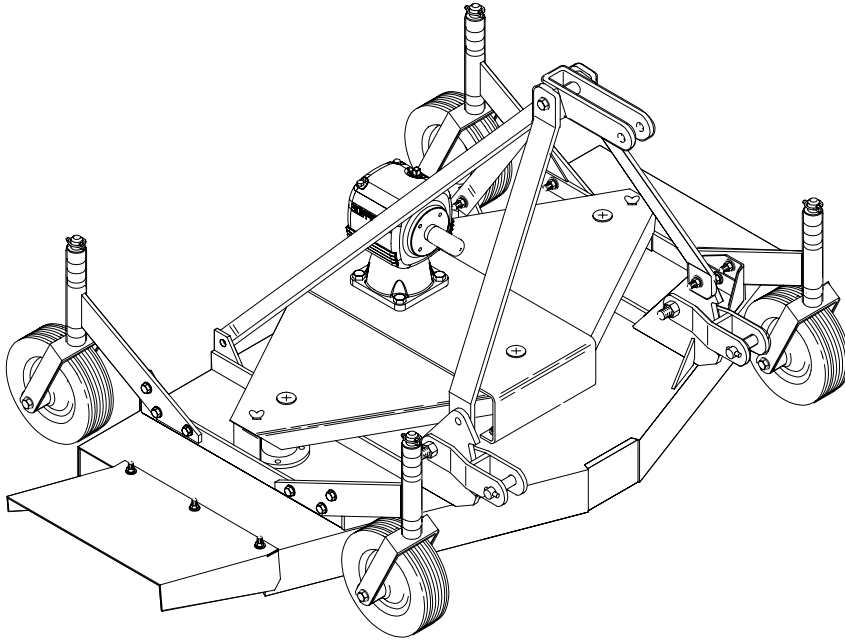
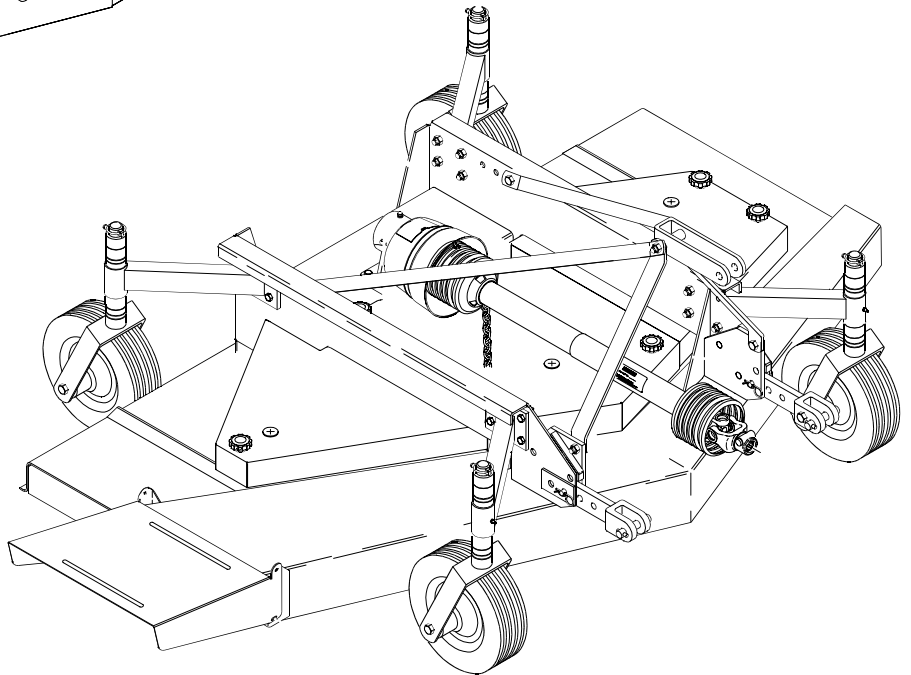


Grooming Mower, 3-spindle

FD2560, FD2572, AT2560 & AT2572



10618



14326

310-148M Operator's Manual



Read the Operator's manual entirely. When you see this symbol, the subsequent instructions and warnings are serious - follow without exception. Your life and the lives of others depend on it!



© Copyright 2006 Printed 10/11/06

Cover photo may show optional equipment not supplied with standard unit.

Important Safety Information	1	Section 4: Maintenance and Lubrication	16
Safety at All Times	1	General Maintenance	16
Look For The Safety Alert Symbol	1	Blade Inspection	16
Safety Labels	4	Blade Sharpening	16
Introduction	8	Blade Replacement	17
Using This Manual	8	AIR TIRES (AIR PRESSURE):	17
Terminology	8	V-Belt Installation	17
Definitions	8	Belt Tension	17
Owner Assistance	8	Storage	17
Serial Number Plate	8	Lubrication	18
Further Assistance	8	Service Daily	18
Section 1: Assembly & Set-up	9	Service Every 50 Hours Of Operation:	18
General Description	9	PTO U-Joint	18
Tools Required	9	PTO Shaft	18
Assembly Instructions	9	Gearbox	18
Upper Hitch Arms	9	Wheel Bushing (Martin)	19
Lower Hitch Lugs	9	Wheel Bushing (Neilson)	19
Initial Hitch Arm Position	9	Bearing in Blade Spindle Hubs	19
Gauge Wheel Assembly	10	Wheel Support Bushings	19
Grass Chute Assembly	10	Section 5: Options	20
Final Inspection	10	Section 6: Specifications & Capacities	21
Section 2: Operating Instructions	11	Section 7: Troubleshooting	22
General Description	11	Section 8: Appendix	23
Pre-Start Instructions	11	Torque Values Chart	23
Tractor Requirements	11	Tire Inflation Chart	23
Tractor Hook-Up	11	Warranty	24
Driveline Installation	11		
Checking Driveline Minimum Length	12		
Operating Instructions	13		
Transporting	13		
Section 3: Adjustments	14		
Mower Chute	14		
Floating & Front To Back Hitch Adjustments	14		
Leveling The Mower	14		
Four Gauge Wheels	14		
Cutting Height Adjustment	15		
Belt Tension	15		

© Copyright 2006 All rights Reserved

Land Pride provides this publication "as is" without warranty of any kind, either expressed or implied. While every precaution has been taken in the preparation of this manual, Land Pride assumes no responsibility for errors or omissions. Neither is any liability assumed for damages resulting from the use of the information contained herein. Land Pride reserves the right to revise and improve its products as it sees fit. This publication describes the state of this product at the time of its publication, and may not reflect the product in the future.

Land Pride is a registered trademark.

All other brands and product names are trademarks or registered trademarks of their respective holders.

Printed in the United States of America.

Important Safety Information

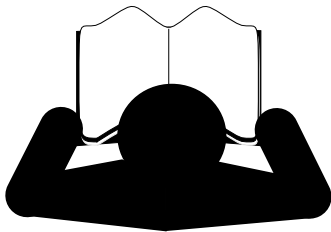
These are common practices that may or may not be applicable to the products described in this manual.

Safety at All Times

Thoroughly read and understand the instructions given in this manual before operation. Refer to the "Safety Label" section, read all instructions noted on them.

Do not allow anyone to operate this equipment who has not fully read and comprehended this manual and who has not been properly trained in the safe operation of the equipment.

- ▲ Operator should be familiar with all functions of the unit.
- ▲ Operate implement from the driver's seat only.
- ▲ Make sure all guards and shields are in place and secured before operating the implement.
- ▲ Do not leave tractor or implement unattended with engine running.
- ▲ Dismounting from a moving tractor could cause serious injury or death.
- ▲ Do not stand between the tractor and implement during hitching.
- ▲ Keep hands, feet, and clothing away from power-driven parts.
- ▲ Wear snug fitting clothing to avoid entanglement with moving parts.
- ▲ Watch out for wires, trees, etc., when raising implement. Make sure all persons are clear of working area.
- ▲ Turning tractor too tight may cause implement to ride up on wheels. This could result in injury or equipment damage.



Look For The Safety Alert Symbol

The SAFETY ALERT SYMBOL indicates there is a potential hazard to personal safety involved and extra safety precaution must be taken. When you see this symbol, be alert and carefully read the message that follows it. In addition to design and configuration of equipment, hazard control and accident prevention are dependent upon the awareness, concern, prudence and proper training of personnel involved in the operation, transport, maintenance and storage of equipment.

Be Aware of Signal Words

A Signal word designates a degree or level of hazard seriousness. The signal words are:

DANGER

Indicates an imminently hazardous situation which, if not avoided, will result in death or serious injury. This signal word is limited to the most extreme situations, typically for machine components that, for functional purposes, cannot be guarded.

WARNING

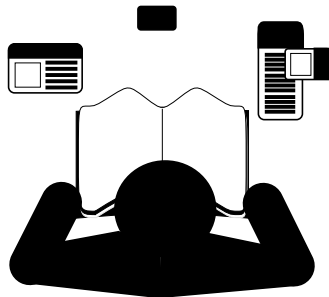
Indicates a potentially hazardous situation which, if not avoided, could result in death or serious injury, and includes hazards that are exposed when guards are removed. It may also be used to alert against unsafe practices.

CAUTION

Indicates a potentially hazardous situation which, if not avoided, may result in minor or moderate injury. It may also be used to alert against unsafe practices.

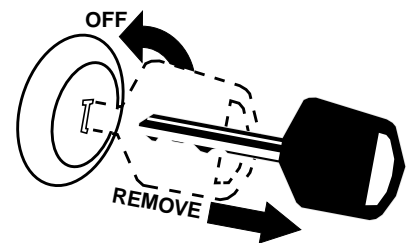
For Your Protection

- ▲ Thoroughly read and understand the "Safety Label" section, read all instructions noted on them.



Shutdown and Storage

- ▲ Lower machine to ground, put tractor in park, turn off engine, and remove the key.
- ▲ Detach and store implements in a area where children normally do not play. Secure implement by using blocks and supports.

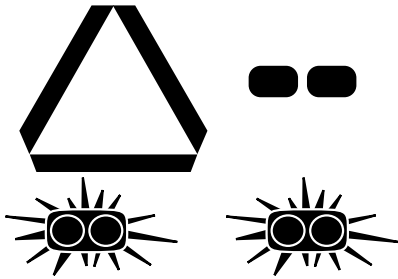


Important Safety Information

These are common practices that may or may not be applicable to the products described in this manual.

Use Safety Lights and Devices

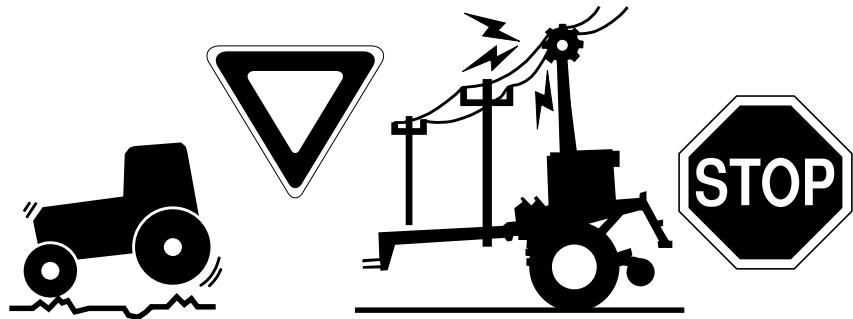
- ▲ Slow moving tractors, self-propelled equipment, and towed implements can create a hazard when driven on public roads. They are difficult to see, especially at night.
- ▲ Flashing warning lights and turn signals are recommended whenever driving on public roads. Use lights and devices provided with implement.



Transport Machinery Safely

- ▲ Comply with state and local laws.
- ▲ Maximum transport speed for implement is 20 mph. **DO NOT EXCEED.** Never travel at a speed which does not allow adequate control of steering and stopping. Some rough terrain require a slower speed.
- ▲ Sudden braking can cause a towed load to swerve and upset. Reduce speed if towed load is not equipped with brakes.

- ▲ Use the following maximum speed - tow load weight ratios as a guideline:
- ▲ **20 mph** when weight is less than or equal to the weight of tractor.
- ▲ **10 mph** when weight is double the weight of tractor.
- ▲ **IMPORTANT:** Do not tow a load that is more than double the weight of tractor.



Use A Safety Chain

- ▲ A safety chain will help control drawn machinery should it separate from the tractor drawbar.
- ▲ Use a chain with the strength rating equal to or greater than the gross weight of the towed machinery.
- ▲ Attach the chain to the tractor drawbar support or other specified anchor location. Allow only enough slack in the chain to permit turning.
- ▲ Do not use safety chain for towing.



Practice Safe Maintenance

- ▲ Understand procedure before doing work. Use proper tools and equipment, refer to Operator's Manual for additional information.
- ▲ Work in a clean dry area.
- ▲ Lower the implement to the ground, put tractor in park, turn off engine, and remove key before performing maintenance.
- ▲ Allow implement to cool completely.
- ▲ Install all transport locks on raised drill before working underneath, refer to the Operator's Manual for quantity and location of transport locks.
- ▲ Do not grease or oil implement while it is in operation.

- ▲ Move the opener handle to the "ROAD" position and complete raising the openers to lock them up before working underneath them.
- ▲ Disk edges are sharp. Be careful when working in this area.
- ▲ Disconnect battery ground cable (-) before servicing or adjusting electrical systems or before welding on implement.
- ▲ Inspect all parts. Make sure parts are in good condition & installed properly.
- ▲ Remove buildup of grease, oil or debris.
- ▲ Remove all tools and unused parts from implement before operation.

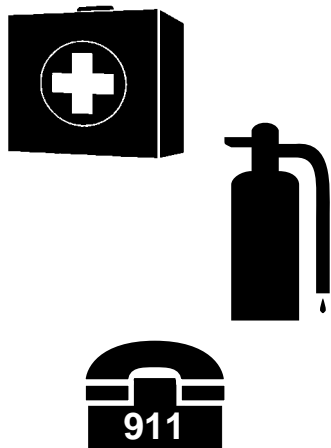


Important Safety Information

These are common practices that may or may not be applicable to the products described in this manual.

Prepare for Emergencies

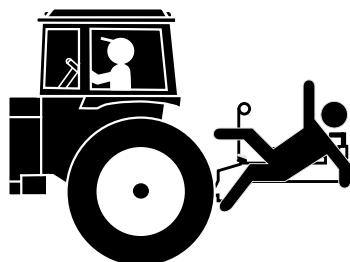
- ▲ Be prepared if a fire starts.
- ▲ Keep a first aid kit and fire extinguisher handy.
- ▲ Keep emergency numbers for doctor, ambulance, hospital and fire department near phone.

**Wear Protective Equipment**

- ▲ Protective clothing and equipment should be worn.
- ▲ Wear clothing and equipment appropriate for the job. Avoid loose fitting clothing.
- ▲ Prolonged exposure to loud noise can cause hearing impairment or hearing loss. Wear suitable hearing protection such as earmuffs or earplugs.
- ▲ Operating equipment safely requires the full attention of the operator. Avoid wearing radio headphones while operating machinery.

**Keep Riders Off Machinery**

- ▲ Riders obstruct the operator's view, they could be struck by foreign objects or thrown from the machine.
- ▲ Never allow children to operate equipment.

**Tire Safety**

- ▲ Tire changing can be dangerous and should be performed by trained personnel using the correct tools and equipment.
- ▲ When inflating tires, use a clip-on chuck and extension hose long enough to allow you to stand to one side and NOT in front of or over the tire assembly. Use a safety cage if available.
- ▲ When removing and installing wheels, use wheel handling equipment adequate for the weight involved.



Important Safety Information

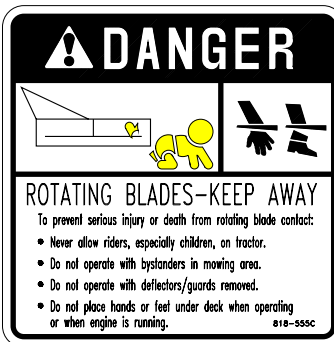
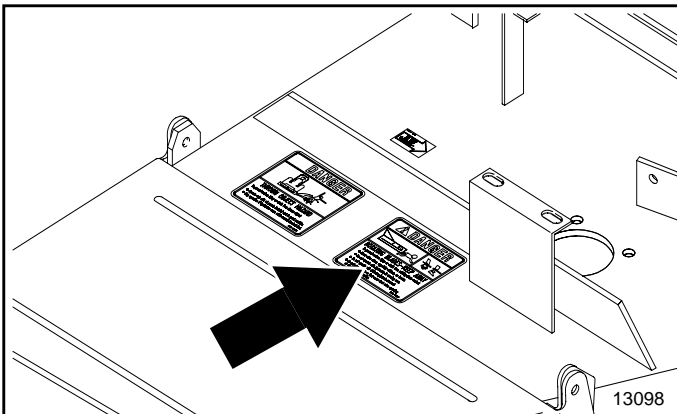
Safety Labels

Your Grooming Mower comes equipped with all safety labels in place. They were designed to help you safely operate your implement. Read and follow their directions.

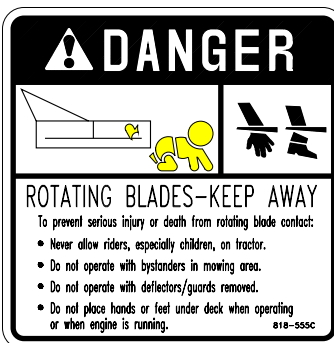
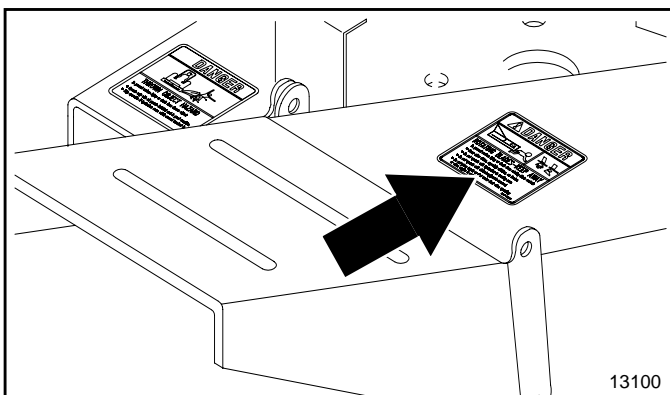
1. Keep all safety labels clean and legible.
2. Replace all damaged or missing labels. To order new labels go to your nearest Land Pride dealer or visit our dealer locator at landpride.com.
3. Some new equipment installed during repair requires

safety labels to be affixed to the replaced component as specified by Land Pride. When ordering new components make sure the correct safety labels are included in the request.

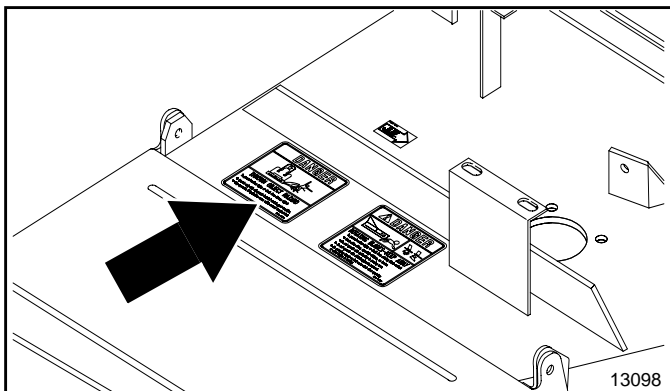
4. Refer to this section for proper label placement. To install new labels:
 - a. Clean the area the label is to be placed.
 - b. Spray soapy water on the surface where the label is to be placed.
 - c. Peel backing from label. Press firmly onto the surface.
 - d. Squeeze out air bubbles with the edge of a credit card.



818-555C
Rotating Blade Hazard
(Flat Deck)

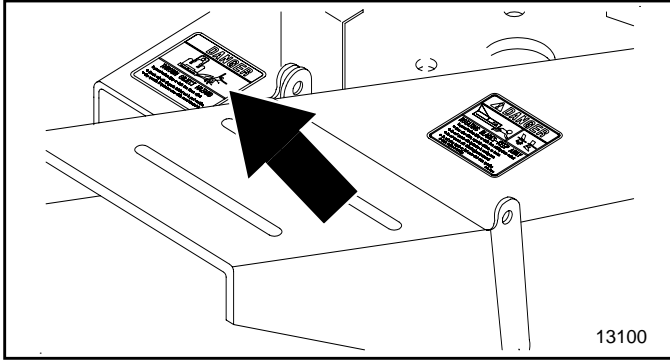


818-555C
Rotating Blade Hazard
(Air Tunnel)

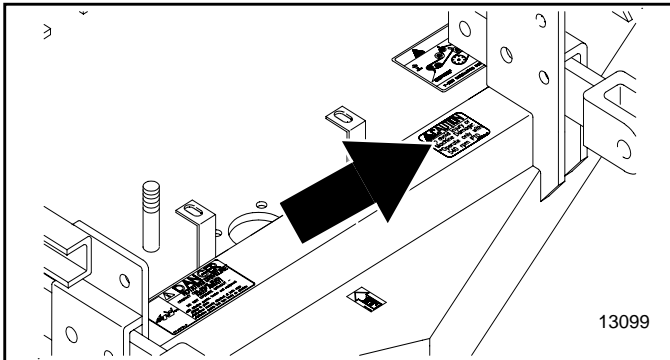


818-556C
Thrown Object Hazard
(Flat Deck)

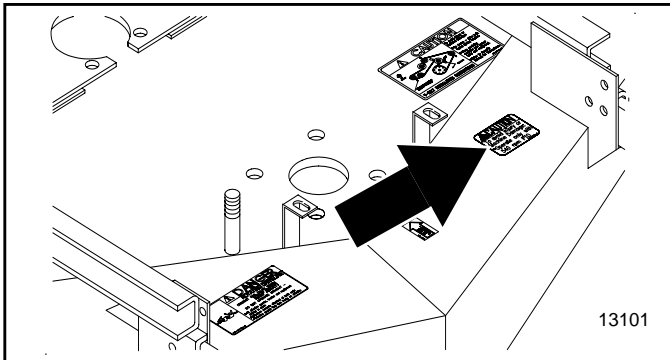
Important Safety Information



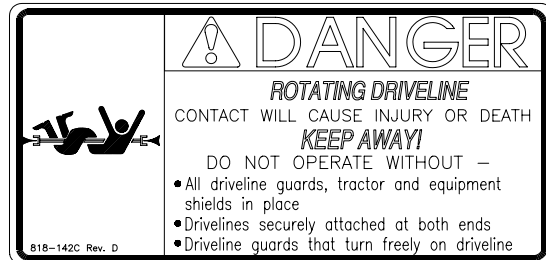
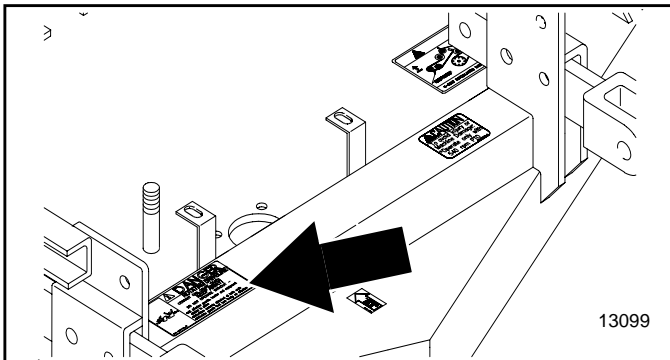
818-556C
Thrown Object Hazard
(Air Tunnel)



818-130C
Operate at 540 RPM
PTO (Flat Deck)

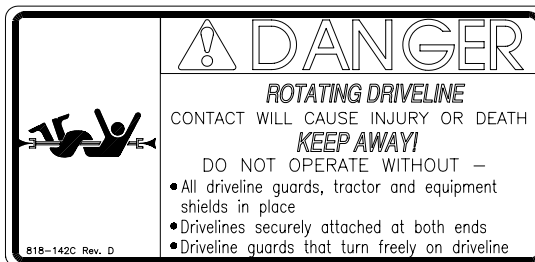
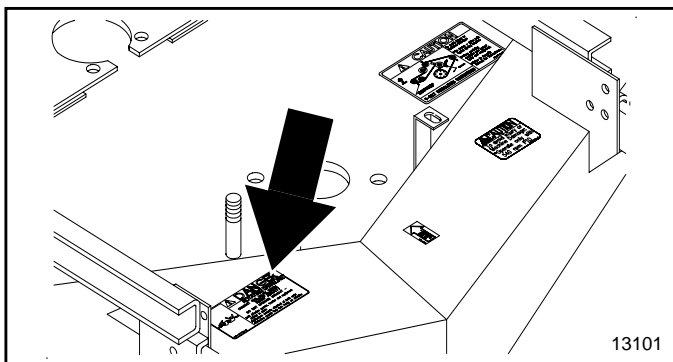


818-130C
Operate at 540 RPM
PTO (Air Tunnel)

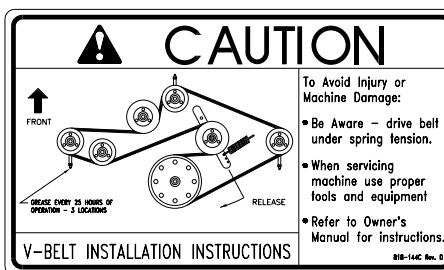
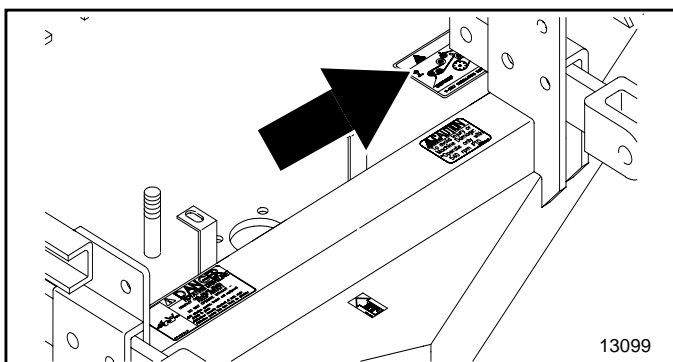


818-142C
Rotating Driveline Hazard
(Flat Deck)

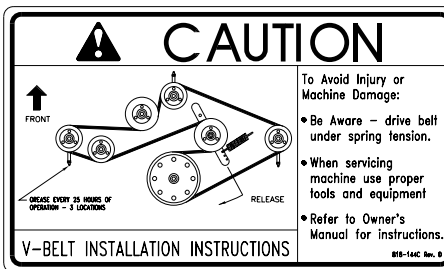
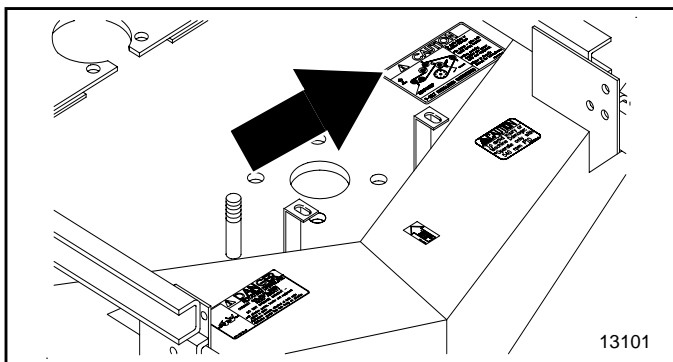
Important Safety Information



818-142C
Rotating Driveline Hazard
(Air Tunnel)

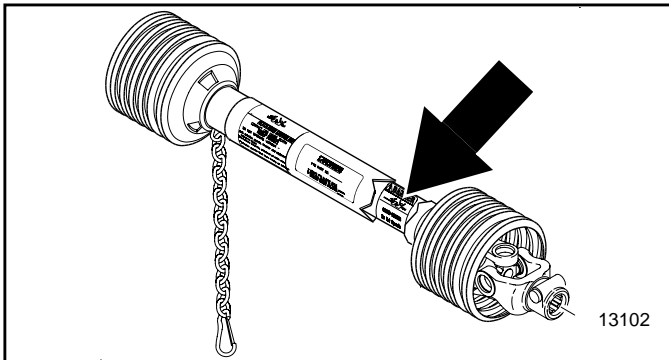


818-144C
V-Belt Instructions
(Flat Deck)

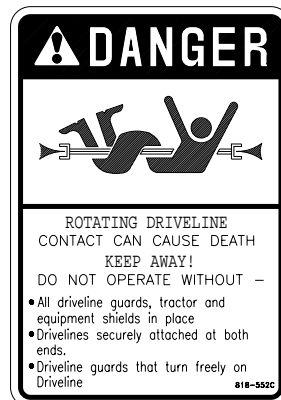
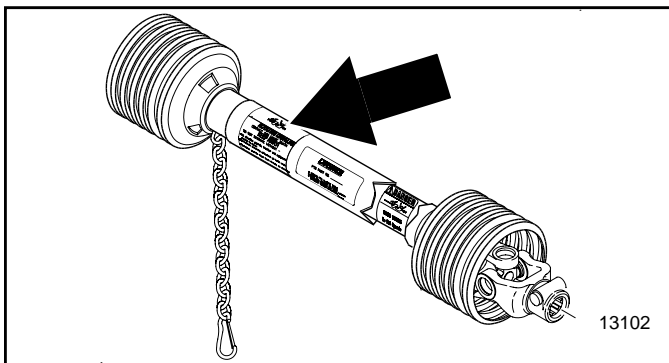


818-144C
V-Belt Instructions
(Air Tunnel)

Important Safety Information



818-540C
Danger Guard Missing



818-552C
Danger Rotating Driveline

Introduction

Land Pride welcomes you to the growing family of new product owners.

This Grooming Mower has been designed with care and built by skilled workers using quality materials. Proper assembly, maintenance and safe operating practices will help you get years of satisfactory use from the machine.

Using This Manual

- This Operator's Manual is designed to help familiarize you with safety, assembly, operation, adjustments, troubleshooting, and maintenance. Read this manual and follow the recommendations to help ensure safe and efficient operation.
- The information contained within this manual was current at the time of printing. Some parts may change slightly to assure you of the best performance.
- To order a new Operator's or Parts Manual contact your authorized dealer. Manuals can also be downloaded, free-of-charge from our website at www.landpride.com or printed from the Land Pride Service & Support Center by your dealer.

Terminology

"Right" or "Left" as used in this manual is determined by facing the direction the machine will operate while in use unless otherwise stated.

Definitions

NOTE: A special point of information that the operator must be aware of before continuing.

IMPORTANT: A special point of information related to its preceding topic. Land Pride's intention is that this information should be read and noted before continuing.

Owner Assistance

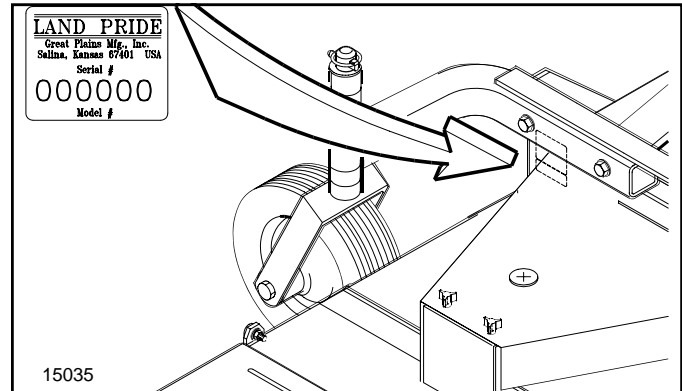
The Warranty Registration card should be filled out by the dealer at the time of purchase. This information is necessary to provide you with quality customer service.

If customer service or repair parts are required contact a Land Pride dealer. A dealer has trained personnel, repair parts and equipment needed to service the Grooming Mower.

The parts on your Grooming Mower have been specially designed and should only be replaced with genuine Land Pride parts. Therefore, should your mower require replacement parts go to your Land Pride Dealer.

Serial Number Plate

For prompt service always use the serial number and model number when ordering parts from your Land Pride dealer. Be sure to include your serial and model numbers in correspondence also. Refer to Figure 1 for the location of your serial number plate.



Serial Number Plate Location
Figure 1

Further Assistance

Your dealer wants you to be satisfied with your new Grooming Mower. If for any reason you do not understand any part of this manual or are not satisfied with the service received, the following actions are suggested:

1. Discuss the matter with your dealership service manager making sure he is aware of any problems you may have and that he has had the opportunity to assist you.
2. If you are still not satisfied, seek out the owner or general manager of the dealership, explain the problem and request assistance.
3. For further assistance write to:

Land Pride Service Department
1525 East North Street
P.O. Box 5060
Salina, Ks. 67402-5060

E-mail address
lp servicedept@landpride.com

Section 1: Assembly & Set-up

General Description

The 25 Series Grooming Mower is shipped crated and partially assembled. Unloading and assembly of this grooming mower is the responsibility of the Land Pride Dealer. The mower should be completely assembled, lubricated, and Adjusted for normal mowing operations before delivery to the customer.

Tools Required

- Sufficient Lifting device (e.g., fork lift, hoist, tractor) see “Specification Chart” for unit weight.
- Support Stands
- Regular Hand Tools
- Grease Gun



CAUTION

Always wear personal protection devices such as eye, ear, and feet protectors during assembly operations.

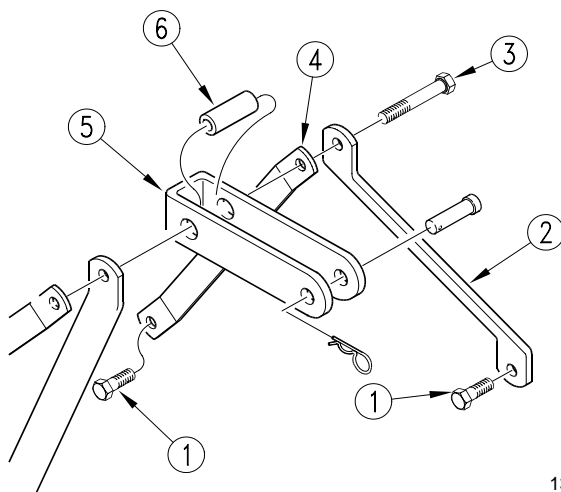
Assembly Instructions

Using a safe lifting device, set the crate on safe supporting stands. Remove crate. Remove loose components - gauge wheels, gauge wheel arms and miscellaneous hardware from the top of deck. Arrange parts for easy identification.

Upper Hitch Arms

Refer to Figure 1-2:

1. Loosen 5/8" x 1 3/4" long bolts (#1) and swing upper hitch (#2) up to a vertical position.
2. Remove 5/8" x 5 1/2" long bolt (#3) and install upper hitch brace (#4), upper pivoting hitch (#5), and hitch spacer (#6) with 5/8" x 5 1/2" long bolt (#3).
3. Refer to Figure 1-4, for initial bolting location of upper hitch brace (#4).



13542

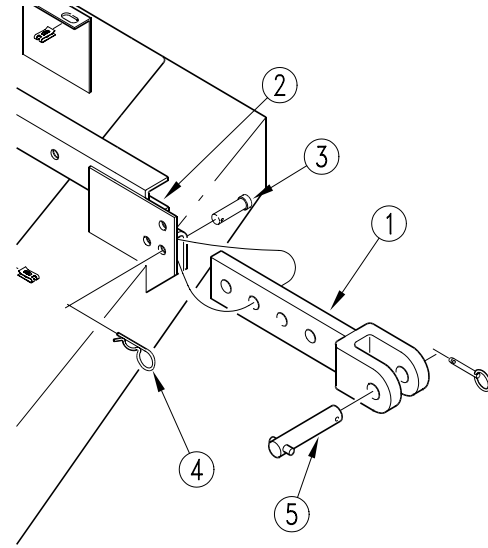
Upper Hitch Arms Assembly
Figure 1-2

Lower Hitch Lugs

Refer to Figure 1-3

The Hitch Lug (#1) is installed from the factory in the inward most position on the mower channel (#2).

1. Remove hair pin (#4). Remove pivot pin (#3)
2. Slide hitch lugs (#1) into the initial position as shown in Figure 1-4.



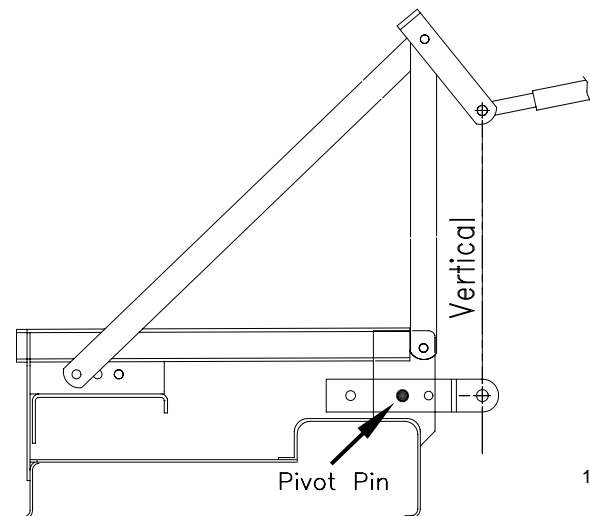
13543

Lower Hitch Lugs
Figure 1-3

Initial Hitch Arm Position

Refer to Figure 1-4

1. Bolt the upper hitch arms and lower hitch lugs on the mower to the positions shown
2. Tighten hardware to listed torque values.



11915

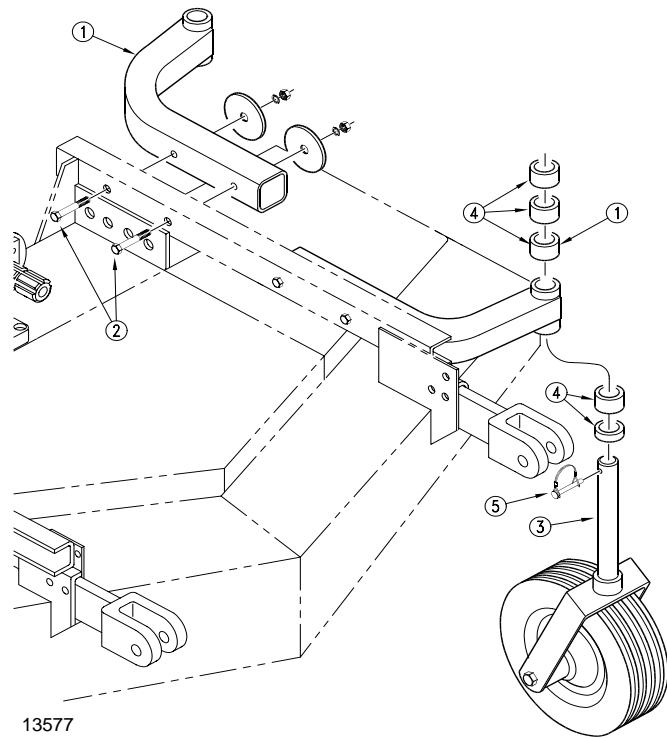
Initial Hitch Arm Position
Figure 1-4

Section 1: Assembly & Set-up

Gauge Wheel Assembly

Refer to Figure 1-5:

1. The rear gauge wheel arms (#1) are bolted to the frame backwards from factory. Remove the 3/8" x 3" long bolt (#2), hardware and gauge wheel arm (#1).
2. Bolt the rear gauge wheel arms (#1) to the mounting channels on the mower frame using 3/8" x 3" long bolt (#2) and hardware shown.
3. Insert the 1" diameter shaft of the gauge wheel yoke (#3) into the bushings on the gauge wheel arm (#1), noting the amount of spacers (#4) added to top or bottom depending on cutting height {refer to Section 3 "Cutting Height Adjustments" on Page 15}.
4. Secure shaft to wheel arm with 1/4" lock pin (#5). Be sure all the spacers are arranged the same on each wheel assembly. Tighten all hardware to values listed in the "Torque Values Chart" in the appendix.



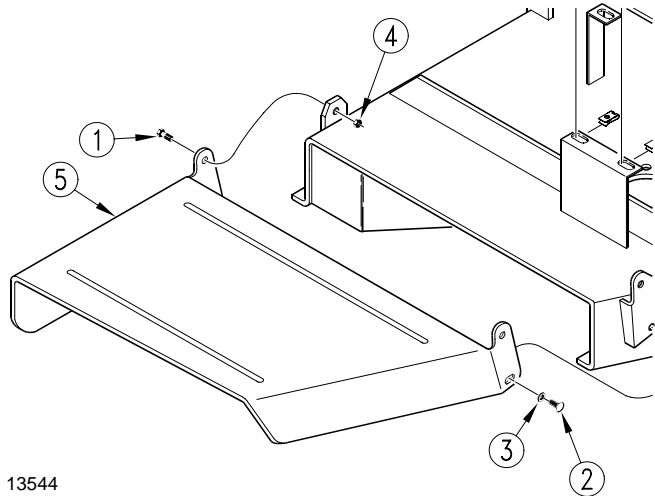
13577

**Gauge Wheel Assembly
Figure 1-5**

Grass Chute Assembly

Refer to Figure 1-5:

1. Loosen upper pivot bolt (#1) and remove lower thumb screw (#2).
- Hinge chute down and install thumb screw (#2) and flat washer (#3). When set at position desired, tighten down upper pivot bolt (#1) and lock nut (#4). Do not tighten completely. Allow chute to hinge. Lock down lower thumb screw (#2) with flat washer (#3).
- 2.



13544

**Grass Chute Assembly
Figure 1-6**

Final Inspection

After completing the "Dealer Assembly and Setup" section, fill out the "Warranty Registration Form & Inspection Report" in this manual.

Section 2: Operating Instructions

General Description

The operator is responsible for the safe use of this machine. Read and understand the safety section before continuing.

This section covers the procedures needed to operate this machine. Properly read and understand this section before operating.

Pre-Start Instructions

Tractor Requirements

This mower is designed with a 3-Point category I hitch. Horse power rating of the tractor should not exceed 30 PTO horse power on 60 inch units and 35 PTO horse power on 72 inch units. PTO Speed of tractor should be 540 RPM.

NOTE: In order to maintain steering control, ballast may have to be added to your tractor. To determine whether or not to add ballast, refer to your tractor operator's manual for weight requirements and to the "Specifications and Capacities" chart for the weight of the unit.

Tractor Hook-Up

1. Be certain that the tractor draw bar will not interfere. Move draw bar ahead or remove if required. Draw bar should also be checked for clearance when unit is being raised for the first time.
2. Align lower link arms of tractor to hitch lugs on mower. Insert lower hitch pins into lower ball swivels and attach lynch pins.
3. Referring to Figure 2-1, attach tractor top link to upper floating hitch on mower with pin supplied.
4. Adjust the tractor top link in or out to place the upper hitch pin vertically above the lower hitch pins as shown in Figure 2-2, to allow mower flotation.

NOTE: The initial position of the Upper Hitch Arms and the Lower Hitch Lugs should be in the back position. If there is a clearance problem refer to the "Adjustment Section" under "Floating & Front To Back Hitch Adjustments" page 14.

Driveline Installation

An additional driveline may be required if the mower is to be used on more than one tractor especially if a quick hitch is used.



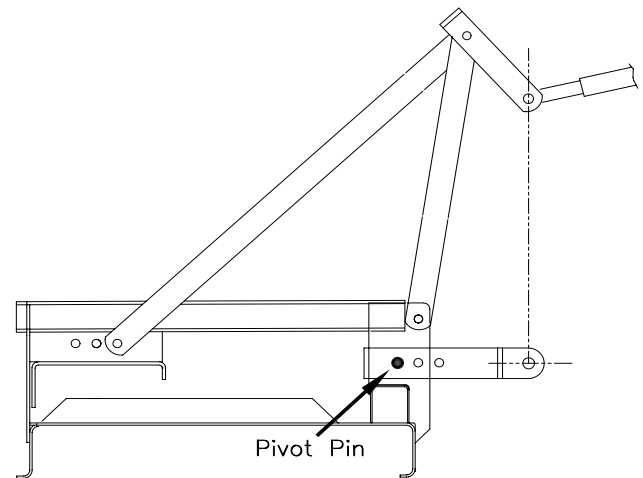
CAUTION

Do not use a PTO adaptor with a quick hitch. A PTO adapter will increase strain on the tractor's PTO shaft resulting in possible damage the shaft and driveline.

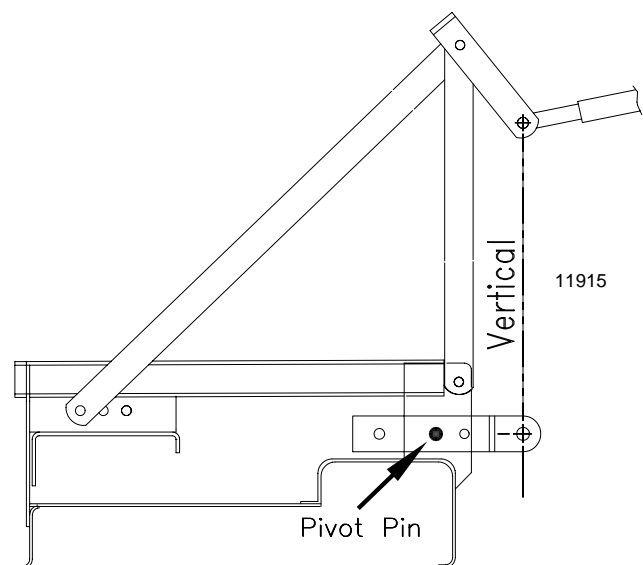


WARNING

Damaged drivelines can cause serious injury or death.



Front Position Hitch Adjustment
Figure 2-1



Back Position Floating Hitch Adjustment
Figure 2-2



CAUTION

Tractor PTO shield and all Grooming Mower guards must be in place at all times during operation!



WARNING

Damaged drivelines can cause serious injury or death.



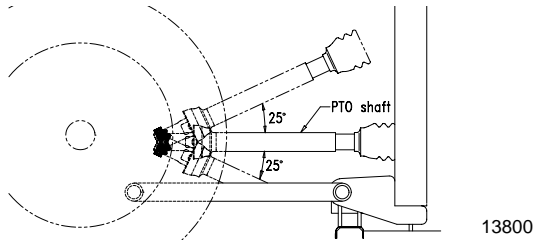
CAUTION

Always engage parking brake, shut off tractor and remove key before dismounting from tractor.

Section 2: Operating Instructions

IMPORTANT: Some tractors are equipped with multi-speed PTO ranges. Be certain your tractor's PTO is set for 540 rpm.

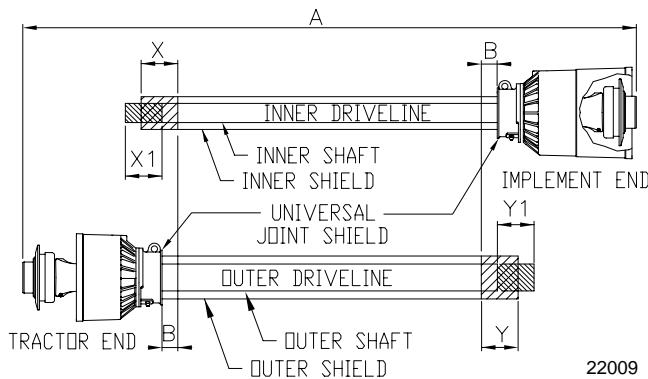
IMPORTANT: Avoid premature driveline breakdown. A driveline that is operating **must not exceed** an angle of 25 degrees up or down while operating the 3-point lift. See Figure 2-3 below.



Maximum PTO driveline Movement During Operation
Figure 2-3

IMPORTANT: Always check driveline minimum length during initial setup, when connecting to a different tractor and when alternating between using a quick hitch and a standard 3-point hitch. More than one driveline may be required to fit all applications.

IMPORTANT: It is necessary to aligning the tractor's PTO shaft level with the gearbox shaft when checking driveline minimum length. Too long a driveline can damage tractor, gearbox and driveline.



Shortening the PTO Shafts
Figure 2-4

Checking Driveline Minimum Length

Refer to Figure 2-4:

1. Start tractor and slowly engage 3-point to move lower arms until the gearbox shaft is approximately level with tractor's PTO shaft.
2. Slide inner yoke of the driveline over the gearbox shaft and secure with locking collar.
3. Slide outer yoke of driveline over the tractor PTO shaft and secure with locking collar. Skip to step 5 on page 12 if driveline fits between tractor and gearbox.

4. The driveline will require shortening if it is too long to fit between tractor and gearbox. Shorten driveline as follows:
 - a. Raise or lower 3-point lower arms until gearbox and tractor PTO shafts are approximately level with each other. Securely block mower frame in this position.
 - b. Set tractor in park, shut tractor engine off, set park brake and remove switch key.
 - c. Pull driveline apart into two sections as shown in Figure 2-4. Attach outer driveline universal joint to the tractor PTO shaft. Attach inner driveline universal joint to the gearbox shaft. Pull on each driveline section to be sure universal joints are secured to the shafts.
 - d. Hold driveline sections parallel to each other to determine if they are too long. The inner and outer shields on each section should end approximately 1" short of reaching the universal joint shield on the adjacent section (see "B" dimension). If they are too long, measure 1" ("B" dimension) back from the universal joint shield and make a mark at this location on the inner and outer driveline shields.
 - e. Cut off inner shield at mark ("X" dimension). Cut same amount off inner shaft ("X1" dimension). Repeat cut off procedure ("Y" & "Y1" dimensions) to cut outer driveline half.
 - f. Remove all burrs and cuttings.
5. Apply multi-purpose grease to the inside of the outer driveline shaft and reassemble the two shafts.
6. Attach inner driveline yoke to the gearbox shaft.
7. Attach outer driveline yoke to the tractor's PTO shaft.
8. The driveline should now be moved back and forth to insure that both ends are secured to the tractor and gearbox PTO shafts. Reattach any end that is loose.

IMPORTANT: Two small chains are supplied with the driveline. These chains must be attached to outer and inner driveline yoke shields and to the cutter deck and tractor to restrict driveline shields from rotating.

9. Hook one of the driveline safety chains in a hole on the outer driveline yoke shield and the opposite end to the tractor to restrict outer shield rotation.
10. Hook the second driveline safety chain in a hole on the inner driveline yoke shield and the opposite end to the mower to restrict inner shield rotation.
11. Start tractor and raise the Grooming Mower just enough to remove blocks used to support the mower frame in step 4a above.
12. Slowly engage the tractor's hydraulic 3-point to lower the mower. Check for sufficient drawbar clearance. Move drawbar ahead, aside or remove if required.

Section 2: Operating Instructions

Operating Instructions

Pre-Start-up Checklist	
<input type="checkbox"/>	Read and follow the "Safety Rules" carefully.
<input type="checkbox"/>	Oil Level in gearbox
<input type="checkbox"/>	All plugs and caps in gearbox have been replaced and tightened properly.
<input type="checkbox"/>	All mower blades, bolts & nuts are tight
<input type="checkbox"/>	Inspect the blades. Make note of the wear to the blades and the sharpness of the blades.
<input type="checkbox"/>	All guards and shields are in place and secure.
<input type="checkbox"/>	Grease PTO shaft and all other grease fittings.
<input type="checkbox"/>	Make a thorough examination of the PTO shafts. Also check the connection to the gearbox and tractor PTO.
<input type="checkbox"/>	Clear the area to be mowed of rocks, branches and other foreign objects.

1. Clear the area to be mowed of objects and debris that might be picked up and thrown by the mower blades.
2. Grass is best cut when it is dry. Mowing wet grass can cause plugging resulting in grass clumps behind the mower.
3. Grass should be mowed frequently as shorter clippings deteriorate faster.
4. If mowing extremely tall grass, it is best to raise cutting height and mow the area, then lower cutting height and mow a second time at the desired height.
5. Lower mower to ground. Set tractor throttle at approximately 1/4 open. Engage PTO to start blades rotating.
6. Operate only with 540rpm PTO tractor.
7. At first, begin mowing at a slow forward speed and shift up until the desired speed is achieved - maintaining 540 PTO rpm.
8. Mower blades will cut better at a faster rotor speed than at reduced throttle.
9. After mowing the first 50 feet, stop and check to see that the mower is adjusted properly.
10. Do not make sharp turns or attempt to back up while mower is on the ground.
11. Do not engage PTO with mower in the fully raised position. Do not engage PTO at full throttle.
12. After mowing disconnect tractor PTO and follow transporting procedures.

 **CAUTION**

When mowing in sandy soil areas, wear may occur to your mower blades caused from sand erosion. Frequent inspection should be made and blades replaced if damaged

Transporting

 **CAUTION**

Always disengage tractor PTO before transporting mower to avoid injury from thrown objects or blade contact.

 **CAUTION**

When traveling on public roads whether at night or during the day, use accessory lights and devices for adequate warning to operator's of other vehicles. Comply with all federal, state and local laws.

 **CAUTION**

The mower is wider than your tractor so care should be taken when encountering oncoming traffic and roadside obstructions.

IMPORTANT: Always disengage PTO before raising the mower to transport position.

1. When raising the mower to the transport position, be sure that driveline does not contact tractor or mower. Adjust the tractor's 3-point hitch lift height so that the PTO shaft does not contact the mower deck. Mower should not be transported without tractor's upper 3-Point link attached.
2. Be sure to reduce tractor ground speed when turning; and, leave enough clearance so the mower does not contact obstacles such as buildings, trees or fences.
3. Select a safe ground travel speed when transporting from one area to another. When traveling on roadways, transport in such a way that faster moving vehicles may pass you safely.
4. When traveling over rough or hilly terrain, shift tractor to a lower gear.

Section 3: Adjustments

CAUTION

Disengage PTO, engage parking brake, shut off tractor, and remove key before making any adjustments!

Mower Chute

This mower is equipped with an adjustable grass discharge chute. Adjustments can be made by loosening the bolts on the front and rear of mower chute. With the mower chute in the raised operating position, grass is expelled away from the mower for a more even distribution of grass clippings. Lowering the mower chute will decrease the distance the grass is discharged from the mower.

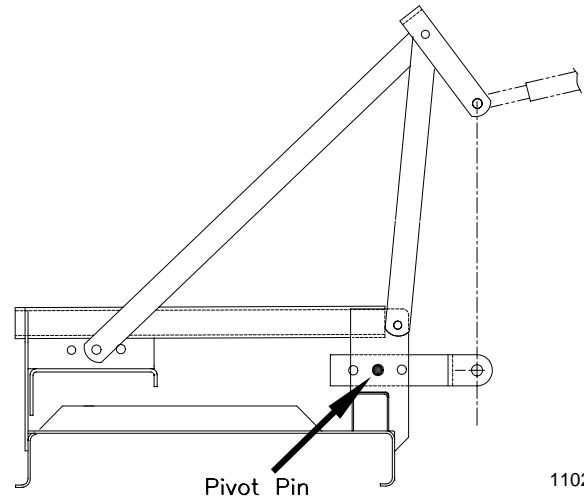
DANGER

DO NOT in any condition operate mower with chute removed

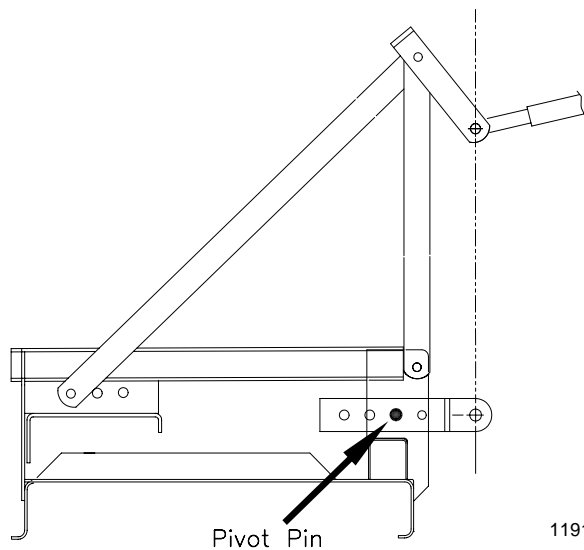
Floating & Front To Back Hitch Adjustments

The 3-point hitch system on this mower has been designed for front to back flotation when mowing on uneven terrain. The lower 3-point hitch blocks also are adjustable from front to back for additional field float and tractor clearance. The lower hitch blocks and top link rear braces can be adjusted front to back as shown in Figure 3-1 and Figure 3-2, Middle Position Floating Hitch Adjustment, in IFigure 3-2. Deviation from the 3 setting will limit field float.

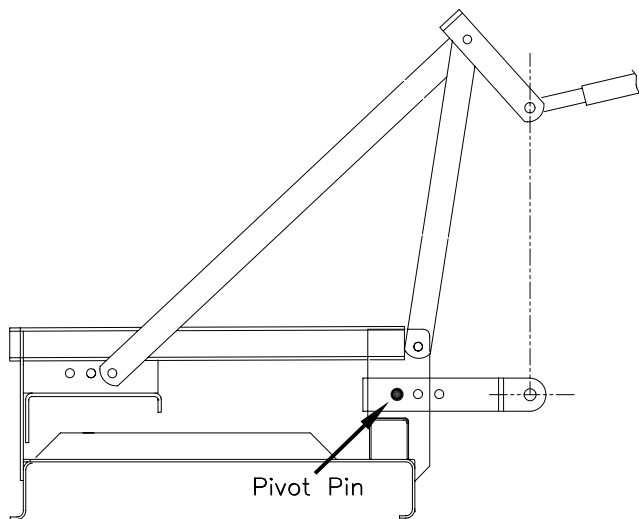
NOTE: Positioning the Upper Hitch Arms and Lower Hitch Lugs to the back setting shortens overall tractor/mower length allowing tighter turns and increasing lifting power.



**Middle Position Floating Hitch Adjustment
Figure 3-2**



**Back Position Hitch Adjustment
Figure 3-3**



**Front Position Hitch Adjustment
Figure 3-1**

**Leveling The Mower
Four Gauge Wheels**

NOTE: Tractor and mower should be on level ground.

1. Set lower hitches and upper floating hitch, as shown in Figure 3-1, Figure 3-2, or Figure 3-3.
2. Make sure PTO is disengaged and start tractor.
3. Raise mower, watching that tractor draw bar (if not removed) does not interfere with mower.
4. Slowly lower the mower until gauge wheels touch the ground and the lower mower 3-point hitch bars are parallel to the ground in floating position. Set the tractor's 3-point stop.

Section 3: Adjustments

5. Set the parking brake and turn off tractor. Remove key from ignition.
6. Adjust the tractor top link in or out to place the upper hitch pin vertically above the lower hitch pin as shown in Figure 3-1, Figure 3-2, or Figure 3-3, to allow mower flotation.
7. Rotate blades in line with direction of travel.
8. Measure the clearance from the cutting edge to the ground at front and rear of the blade. This measurement should be equal or have the blade at the front of the mower not more than 1/2" lower than the blade at the rear of the mower.

Cutting Height Adjustment

1. Using the tractor, raise the mower off the ground and support under it with secure blocking so not to let the mower drift down during maintenance.
2. Holding wheel and yoke assembly up, remove quick-lock pin from top of gauge wheel spindle. Position full length spacers and half spacer as required. All spacers on top of spindle tube allows for approximately 1" cutting height. Adjustments range from 1" to a maximum of 5 1/2" in 1/2" increments. Refer to "Leveling The Mower" page 14.

CAUTION

Engage parking brake, shut off tractor, remove key and disengage PTO before making any height adjustments!

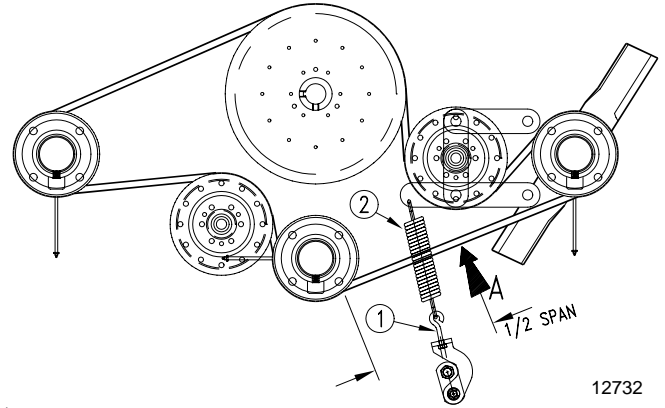
Belt Tension

Refer to Figure 3-4:

CAUTION

Belt drive system under spring tension; use care to avoid bodily harm!

1. To check tension apply force at arrow A. With a tension tester and deflect the belt 1/4". The force required to get this deflection should range from 7 to 10 lbs.
2. To adjust belt tension, adjust eyebolt (#1), as necessary. This adjustment will increase or decrease the tension on spring (#2).
3. Excessive tension on the belt may lead to premature failure of belt and drive components. Excessive tension on the belt may also lead to a safety hazard to the operator or bystanders. Not enough tension on the belt may lead to premature failure of the belt due to excessive slipping.
4. Excessive tension on the belt may lead to premature failure of belt and drive components. Excessive tension on the belt may also lead to a safety hazard to the operator or bystanders.



Belt Tension
Figure 3-4

12732

Section 4: Maintenance and Lubrication

Proper servicing and adjustment is the key to the long life of any implement. With careful and systematic inspection, you can avoid costly maintenance, time and repair.

After using your Grooming Mower for several hours, check all bolts to be sure they are tight.

Replace any worn, damaged or illegible safety labels by obtaining new labels from your Land Pride Dealer.

CAUTION

For Safety reasons, each maintenance operation must be performed with the tractor's PTO disengaged, the mower lowered completely, tractor engine shut off and ignition key removed.

General Maintenance

Blade Inspection

Refer to Figure 4-1:

NOTE: Blade Wear: As blades wear and are sharpened, the blade performance will be reduced.

DANGER

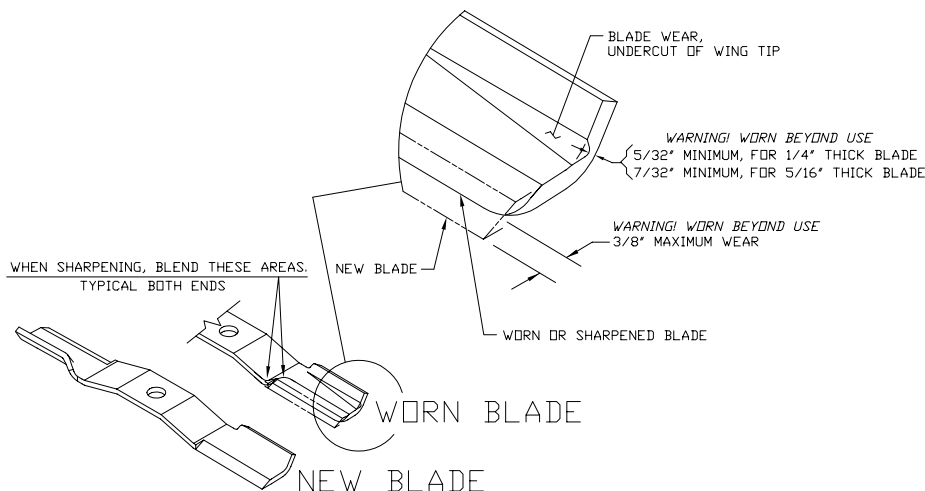
Bent, Deformed or Split Blades: Should be removed from unit and discarded. DO NOT attempt to straighten for reuse.

WARNING

DO NOT attempt to modify blade, such as hard surfacing, heat or cold treating and/or by any other method.

DANGER

DO NOT try to straighten a blade that is bent. Never weld a broken or cracked blade. ALWAYS replace with a new Land Pride blade to assure safety.



Inspection of Blades & Sharpening
Figure 4-1

Blade Sharpening

IMPORTANT: Always install blade with the cutting edge facing direction of rotation.

IMPORTANT: Replace blades with Land Pride blades only.

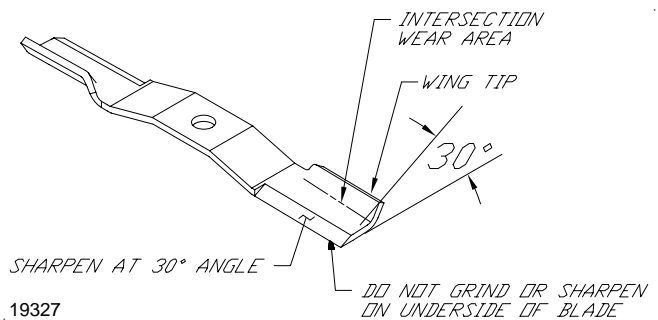
CAUTION

ALWAYS wear eye protection and gloves when sharpening a blade.

1. If the blade cutting edge is dull or nicked, it should be replaced or sharpened. Remove blades for replacing or sharpening by grasping the end of the blade using a rag or a thick, padded glove, while loosening and removing the bolt/bolts that mount the blade.
2. Clean blade, blade washer and mounting surface of all debris before replacing or sharpening.

NOTE: Care should be taken in order not to remove any more material than necessary to sharpen blade.

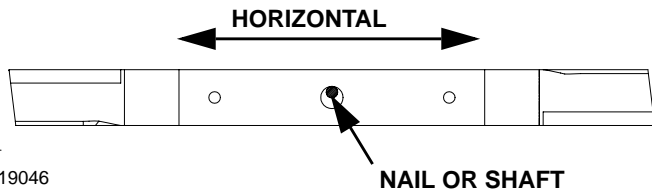
3. Grind cutting edge at the same bevel as the original. See Figure 4-2. Sharpen only the top of the cutting edge to maintain sharpness.



Blade Sharpening
Figure 4-2

Section 4: Maintenance and Lubrication

4. Check blade balance by positioning the blade horizontally on a nail or shaft through the center hole. See Figure 4-3. If either end of the blade rotates downward, grind (remove) metal on that end until the blade will balance. The blade is properly balanced when neither end drops. Balance of a blade is generally maintained by removing an equal amount of material from each end of the blade when sharpening.



Blade Balancing
Figure 4-3

Blade Replacement

IMPORTANT: Always install blade with cutting edge facing direction of blade spindle rotation and wing tips pointing up towards bottom of deck.

1. Remove cap screw and blade washer from blade to be replaced. Remove blade.
2. Install blade washer into center hole on blade.
3. Replace cap screw. Tighten bolts to proper torque, see the “**Torque Values Chart**” section on page 23.

IMPORTANT: Replace blades with Land Pride blades only.

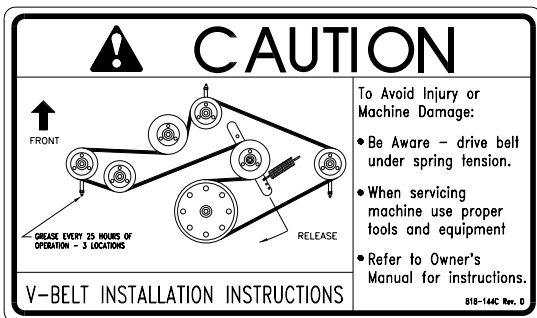
AIR TIRES (AIR PRESSURE):

Tire Sealant: Heavy Duty tire sealant has been added in Air tires to help reduce air loss from punchers due to nails/thorns etc....

NOTE: Under inflated tires can roll off of rim. Maintaining air pressure within 5 PSI of maximum tire pressure reduces the risk of tires rolling off of rim.

V-Belt Installation

1. Remove right hand, left hand and center belt covers.



V-Belt Installation, Routing & Rotation Decal
Figure 4-4

2. Move belt take-up handle in a clockwise direction to relieve tension on belt.
3. With tension relieved from belt remove old belt from pulleys.
4. Install new belt referring to the figure below (also refer to the decal on top of mower deck). Be sure belt is positioned in all the pulley grooves. Release belt take-up handle to apply tension to new belt.
5. Reinstall all belt covers and secure in place with hardware.

Belt Tension

 **CAUTION**

Belt drive system under spring tension; use care to avoid bodily harm!

1. Belt tension should be checked after approximately 20 hours of operation on a new belt.
2. Not enough tension on the belt may lead to premature failure of the belt due to excessive slipping of the belt.

Refer to “**Belt Tension**” on page 15 for proper adjustment of belt tension.

 **WARNING**

Excessive tension on the belt may lead to premature failure of belt and drive components. Excessive tension on the belt may also lead to a safety hazard to the operator or bystanders.

Storage

At the end of the working season or when the mower will not be used for a long period, it is good practice to clean off any dirt or grease that may have accumulated on the mower and any of the moving parts. It may be necessary to scrape off compacted dirt from the bottom of the deck, then use a garden hose to thoroughly clean the surface.

1. Clean the mower as necessary. Be sure that the mower is completely cleaned before storing.
2. Check the blades for wear and replace if necessary, see “**Maintenance**” section on page 16.
3. Inspect the mower for loose, damaged or worn parts and adjust or replace if needed.
4. Lubricate as noted in the “**Lubrication**” section on page 18.
5. Remove mower drive belt from one pulley to release drive belt tension.
6. Remove belt guards, thoroughly clean the top and bottom of the mower frame.
7. Repaint parts where paint is worn or scratched to prevent rust. Aerosol beige touch-up paint is available from your dealer. Order Land Pride part #821-011C.
8. Store mower in a clean, dry place for longer mower life.

Section 4: Maintenance and Lubrication

Lubrication

CAUTION

For Safety reasons, each lubrication operation must be performed with the tractor's PTO disengaged, the mower lowered completely, tractor engine shut off and ignition key removed.

Service Daily





1. Grease the PTO u-joints.
2. Wheel support bushings.
3. Wheel bushing.
4. Bearing in blade spindle hubs.

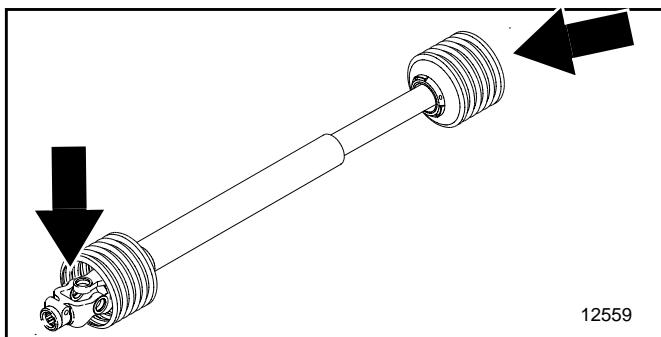
Service Every 50 Hours Of Operation:



1. With the mower on level ground, check the oil level in the gearbox by removing the plug in the side of the box. The oil should reach the plug hole. If oil level is low, remove the top plug in the gearcase and fill with SAE 90 oil until oil flows from side port of the gearbox. Reinstall plugs and retighten.

IMPORTANT: Do not overfill! Should your gearbox require repair, take it to your Land Pride dealer.

2. Disconnect PTO shaft from the tractor and slide apart. Clean and coat the inner tube of the PTO shaft with a light film of grease and then reassemble.

Lubrication Legend	 Multi-purpose spray lube	 Multi-purpose grease lube	 Multi-purpose oil lube	 Intervals in hours at which lubrication is required
---------------------------	--	---	--	---



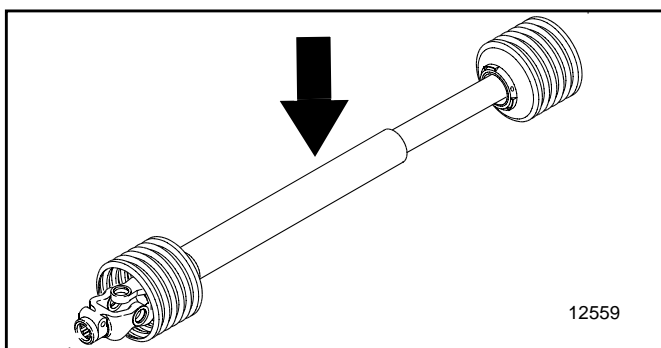
	
--	---



PTO U-Joint

Coat PTO u-joint with grease every 8 hours of operation

Type of Lubrication: Multipurpose

Quantity = Coat Generously



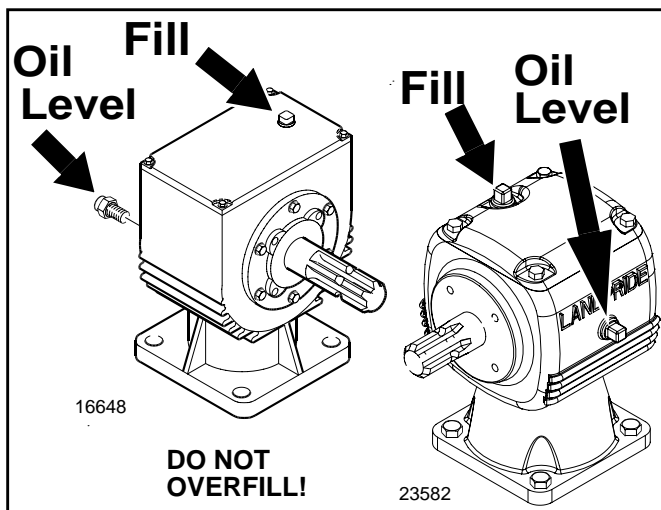
	
--	---

PTO Shaft

Disconnect PTO shaft from the tractor and slide apart. Clean and coat the inner tube of the PTO shaft with a light film of grease and then reassemble.

Type of Lubrication: Multipurpose

Quantity = Light Film



	
--	---

Gearbox

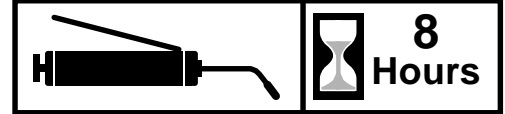
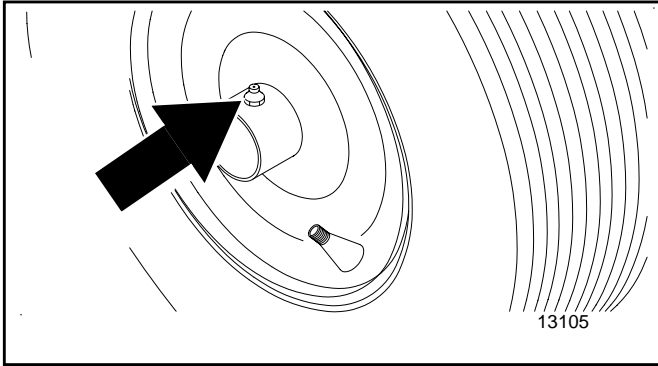
Check the oil level in the gearbox by removing the bottom plug in the back of the box. Add oil if necessary into the plug on the top of the gearbox. Retighten both plugs.

Type of Lubrication: SAE 90 Oil

Quantity = Until oil reaches outside plug hole

IMPORTANT: Should your gearbox require repair, take it to your Land Pride Dealer! Check oil level in gearbox every 50 hours of operation.

Section 4: Maintenance and Lubrication

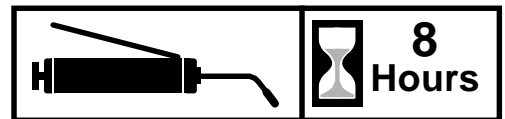
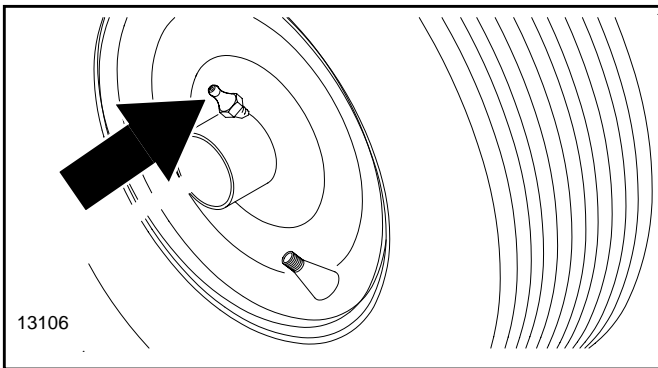


Wheel Bushing (Martin)

Until grease starts to purge.

Type of Lubrication: Multipurpose grease

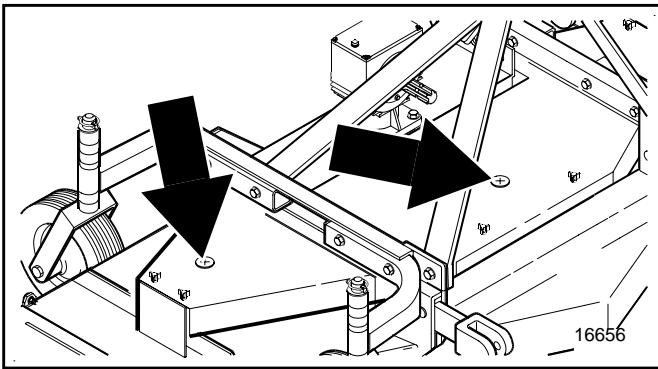
Quantity = Until grease starts to purge



Wheel Bushing (Neilson)

Type of Lubrication: Multipurpose grease

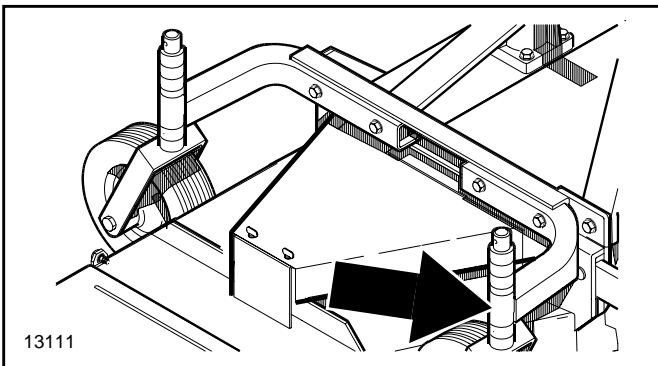
Quantity = Until grease starts to purge



Bearing in Blade Spindle Hubs

Type of Lubrication: Multipurpose Grease

Quantity = Until grease starts to purge from the top bearing. Top bearing has a purge gap which allows grease to purge from it.



Wheel Support Bushings

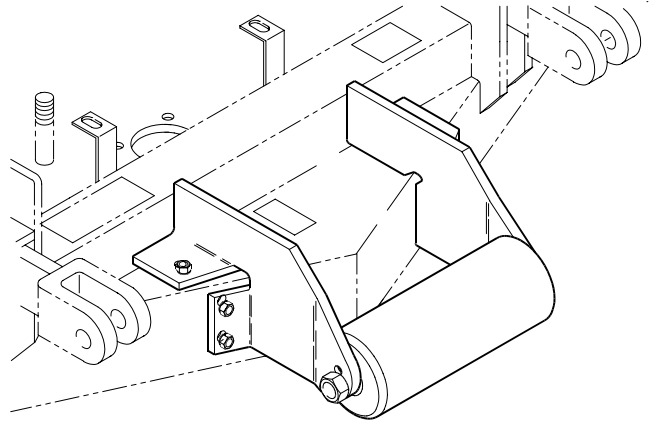
Type of Lubrication: Multipurpose Grease

Quantity = Until grease starts to purge.

Section 5: Options

- 310-050A.....FRONT ROLLER REPL 310-050S
- 310-041S.....FRONT ROLLER BUNDLE


This Anti-Scalping Roller Package is available for those customers who are concerned about scalping the grass and ground with deck/blades. The roller will not allow deck to scalp the ground with the leading edge of the mower.



Section 6: Specifications & Capacities

FD2560, FD2572, AT2560 & AT2572 3-Spindle Grooming Mower				
Description	FD2560	FD2572	AT2560	AT2572
Cutting Width	60"	72"	60"	72"
Overall Width	71 1/2"	83"	71 1/2"	83"
Height	36"	36"	36"	36"
Length	56"	62"	56	62"
Weight	652#	718 #	652#	718#
Blades - 3	1/4 x 2.5 x 20 29/32 Heat Treated Alloy Steel	1/4 x 2.5 x 25 Heat Treated Alloy Steel	1/4 x 2.5 x 20 29/32 Heat Treated Alloy Steel	1/4 x 2.5 x 25 Heat Treated Alloy Steel
Blade Tip Speed	15,000 FPM	16,195 FPM	14,500 FPM	15,500 FPM
Cutting Height	1"-5 1/2" {1/2" Increments}			
Deck Material Thickness	3/16"			
Blade Overlap	1 1/2"			
Blade Spindles	Greasable-Side			
Hitch	Cat. 1 Floating Clevis			
Gauge Wheels: Optional Air	Castered 10" x 4" Air Tires with Sealant			
Gauge Wheels: Opt. Solid	Castered 10" x 3 1/4" Solid Tire			
Caster Wheel Spindle	1" Diameter With Greasable Bushing			
Drive Train	540 RPM PTO; Gearbox 1:2.5 Ratio; Beveled Gears; Cast Iron Housing; Single V-Belt			
Grass Chute	Hinged-Adjustable			

Troubleshooting Chart

Problem	Cause	Solution
Discharge chute plugged  CAUTION <i>Do not try to clean discharge opening when mower is running. Bodily harm may occur.</i>	Belt not installed correctly	Check installation of belt
	Grass too wet	Wait until grass dries
	Grass too tall	Raise cutting height of mower and cut grass twice
	RPM of tractor too low	Mow at full throttle (540 PTO rpm) Check PTO speed & tractor engine
	Ground speed too fast	Shift transmission to a lower gear
Belt slipping	Plugged grooming mower	Unplug and clean mower deck
	Debris in sheaves	Remove belt guard shields and clean sheaves
	Worn belt	Replace belt
Patches of uncut grass	RPM of tractor too low	Mow at full throttle (540 PTO rpm). Check PTO speed & tractor engine
	Ground speed too fast	Shift transmission to a lower gear
	Blade damaged or dull	Sharpen & balance or replace blade
Excessive vibration	Power Take Off shaft or distribution shafts bend	Replace Power Take Off or distribution shafts
	Blade broken or bent	Replace blade
	Sheaves damaged or out of alignment	Replace sheaves or align
	Drive belt damaged	Replace drive belt
	Inadequate clearance between belt guard shields & belt	Remove belt guard shields & clean debris from belt area & sheaves
	Mower in raised position & mower running	Readjust 3-point hitch to raise mower to maximum of 14 inches
Gearbox noisy	Low lubricant level	Check lubricant level
Blades scalping grass	Cutting too low	Raise cutting height by adjusting wheels
	Ridges in terrain	Change mowing pattern
	Fast turning speed	Reduce speed on turns
Blades scalping grass	Cutting too low	Raise cutting height by adjusting wheels
	Ridges in terrain	Change mowing pattern
	Fast turning speed	Reduce speed on turns
Uneven cut	Ground speed too fast	Shift to a lower gear
	Mower not level	Level mower
	Dull blades	Sharpen blades & balance or replace
Tractor loaded down by mower	RPM of engine too low	Mow at full throttle (540 PTO rpm)
	Ground speed too fast	Shift to a lower gear
	Debris wrapped around mower spindles or blades	Clean mower



Section 8: Appendix

Torque Values Chart													
Bolt Size (Inches)	Bolt Head Identification						Bolt Size (Metric)	Bolt Head Identification					
	Grade 2		Grade 5		Grade 8			Class 5.8		Class 8.8		Class 10.9	
in-tpi ¹	N · m	ft-lb ³	N · m	ft-lb	N · m	ft-lb	mm x pitch	N · m	ft-lb	N · m	ft-lb	N · m	ft-lb
1/4" - 20	7.4	5.6	11	8	16	12	M 5 X 0.8	4	3	6	5	9	7
1/4" - 28	8.5	6	13	10	18	14	M 6 X 1	7	5	11	8	15	11
5/16" - 18	15	11	24	17	33	25	M 8 X 1.25	17	12	26	19	36	27
5/16" - 24	17	13	26	19	37	27	M 8 X 1	18	13	28	21	39	29
3/8" - 16	27	20	42	31	59	44	M10 X 1.5	33	24	52	39	72	53
3/8" - 24	31	22	47	35	67	49	M10 X 0.75	39	29	61	45	85	62
7/16" - 14	43	32	67	49	95	70	M12 X 1.75	58	42	91	67	125	93
7/16" - 20	49	36	75	55	105	78	M12 X 1.5	60	44	95	70	130	97
1/2" - 13	66	49	105	76	145	105	M12 X 1	90	66	105	77	145	105
1/2" - 20	75	55	115	85	165	120	M14 X 2	92	68	145	105	200	150
9/16" - 12	95	70	150	110	210	155	M14 X 1.5	99	73	155	115	215	160
9/16" - 18	105	79	165	120	235	170	M16 X 2	145	105	225	165	315	230
5/8" - 11	130	97	205	150	285	210	M16 X 1.5	155	115	240	180	335	245
5/8" - 18	150	110	230	170	325	240	M18 X 2.5	195	145	310	230	405	300
3/4" - 10	235	170	360	265	510	375	M18 X 1.5	220	165	350	260	485	355
3/4" - 16	260	190	405	295	570	420	M20 X 2.5	280	205	440	325	610	450
7/8" - 9	225	165	585	430	820	605	M20 X 1.5	310	230	650	480	900	665
7/8" - 14	250	185	640	475	905	670	M24 X 3	480	355	760	560	1050	780
1" - 8	340	250	875	645	1230	910	M24 X 2	525	390	830	610	1150	845
1" - 12	370	275	955	705	1350	995	M30 X 3.5	960	705	1510	1120	2100	1550
1-1/8" - 7	480	355	1080	795	1750	1290	M30 X 2	1060	785	1680	1240	2320	1710
1 1/8" - 12	540	395	1210	890	1960	1440	M36 X 3.5	1730	1270	2650	1950	3660	2700
1 1/4" - 7	680	500	1520	1120	2460	1820	M36 X 2	1880	1380	2960	2190	4100	3220
1 1/4" - 12	750	555	1680	1240	2730	2010							
1 3/8" - 6	890	655	1990	1470	3230	2380							
1 3/8" - 12	1010	745	2270	1670	3680	2710							
1 1/2" - 6	1180	870	2640	1950	4290	3160							
1 1/2" - 12	1330	980	2970	2190	4820	3560							

¹ in-tpi = nominal thread dia. in inches-threads per inch
² N·m = newton-meters
³ ft-lb= foot pounds
⁴ mm x pitch = nominal thread diameter in millimeters x

Torque tolerance + 0%, -15% of torquing values. Unless otherwise specified use torque values listed above.

Tire Inflation Chart

Tire Size	Inflation PSI
10 x 4 Saw Tooth	50

Warranty

Land Pride warrants to the original purchaser that this Land Pride product will be free from defects in material and workmanship for a period of one year, from the date of delivery to the end user, when used as intended and under normal service and conditions for personal use; and 6 months for municipalities, golf courses, sod farms and rental purposes. This Warranty is limited to the replacement of any defective part by Land Pride and the installation by the dealer of any such replacement part, and does not cover common wear items such as blades, belts, tines, etc. Land Pride reserves the right to inspect any equipment or parts which are claimed to have been defective in material or workmanship.

This Warranty does not apply to any part or product which in Land Pride's judgment shall have been misused or damaged by accident or lack of normal maintenance or care, or which has been repaired or altered in a way which adversely affects its performance or reliability, or which has been used for a purpose for which the product is not designed. Misuse also specifically includes failure to properly maintain oil levels, grease points, and driveline shafts.

Claims under this Warranty must be made to the dealer which originally sold the product and all warranty adjustments must be made through such dealer. Land Pride reserves the right to make changes in materials or design of the product at any time without notice.

This Warranty shall not be interpreted to render Land Pride liable for damages of any kind, direct, consequential, or contingent to property. Furthermore, Land Pride shall not be liable for damages resulting from any cause beyond its reasonable control. This Warranty does not extend to loss of crops, any expense or loss for labor, supplies, rental machinery or for any other reason.

No other warranty of any kind whatsoever, express or implied, is made with respect to this sale; and all implied warranties of merchantability and fitness for a particular purpose which exceed the obligations set forth in this written warranty are hereby disclaimed and excluded from this sale.

This Warranty is not valid unless registered with Land Pride within 30 days from the date of delivery to the end user.

In addition to the Standard Limited Warranty Land Pride also provides:

A Five - Year Limited Warranty on Gearbox Components, on RC6015, RCM6015, RC5015, RCM5015, RC5010, RCM5010, PD15, PD25, and PD35. A Three - Year Limited Warranty on Gearbox Components on RCR3596, RCR3510, and RCRM3510, provided they have been properly maintained, and not subjected to misuse or abuse. Misuse specifically includes, but is not limited to, maintaining proper oil levels of the correct lubricant, and adjusting slip-clutches to provide proper protection to Gearbox Components. Warranty is One Year for seals. Seals are viewed as normal wear items and replacement will be the customer's responsibility. Gearboxes will either be replaced or rebuilt at Land Pride's discretion.



Corporate Office: P.O. Box 5060
Salina, Kansas 67402-5060 USA
www.landpride.com
