

# Owner's Manual

# CRAFTSMAN<sup>®</sup>

## TRACTOR SNOW CAB

Model No. 486.24275



### CAUTION:

Before using this product, read this manual and follow all Safety Rules and Operating Instructions.

- Safety
- Assembly
- Operation
- Maintenance
- Parts

### IMPORTANT - READ THIS FIRST!!!

For Missing Parts or Assembly Questions

Please Call 866-576-8388

Mon.-Fri. 7 am - 5 pm CST.

FAX 217-728-2032 or e-mail [info@agri-fab.com](mailto:info@agri-fab.com)

Missing parts will be sent UPS in 24 hours directly to your home.

Sears, Roebuck and Co., Hoffman Estates, IL 60179 U.S.A.

[www.sears.com/craftsman](http://www.sears.com/craftsman)

PRINTED IN U.S.A.

FORM NO. 48739 (REV. 7/04)

# TABLE OF CONTENTS

SAFETY RULES .....	2	MAINTENANCE/STORAGE .....	6
FULL SIZE HARDWARE CHART .....	3	REPAIR PARTS ILLUSTRATION .....	7
CARTON CONTENTS .....	3	REPAIR PARTS LIST .....	7
ASSEMBLY .....	4	PARTS ORDERING/SERVICE .....	Back Page
OPERATION .....	6		

## WARRANTY

### LIMITED ONE YEAR WARRANTY ON

For one year from the date of purchase, when this Tractor Snow Cab is maintained and lubricated according to the operating and maintenance instructions in the owner's manual, Sears will repair any defect in material or workmanship free of charge. If this Tractor Snow Cab is used for commercial or rental purposes, this warranty applies for only 90 days from the date of purchase.

This warranty does not cover repairs necessary because of operator negligence or abuse, including the failure to maintain the equipment according to instructions contained in the owner's manual.

WARRANTY SERVICE IS AVAILABLE BY CONTACTING THE NEAREST SEARS SERVICE CENTER/DEPARTMENT IN THE UNITED STATES.

This warranty applies only while this product is in the United States.

This warranty gives you specific legal rights, and you may also have other rights which vary from state to state. Sears, Roebuck and Co. D/817 WA. Hoffman Estates, Chicago, IL 60179

<p>The model number and serial numbers will be found on a decal attached to the base assembly.</p> <p>You should record both the serial number and the date of purchase and keep in a safe place for future reference.</p>	<p>MODEL NUMBER:     486.24275</p> <p>SERIAL NUMBER:     _____</p> <p>DATE OF PURCHASE: _____</p>
--	---



## SAFETY



Any power equipment can cause injury if operated improperly or if the user does not understand how to operate the equipment. Exercise caution at all times, when using power equipment.

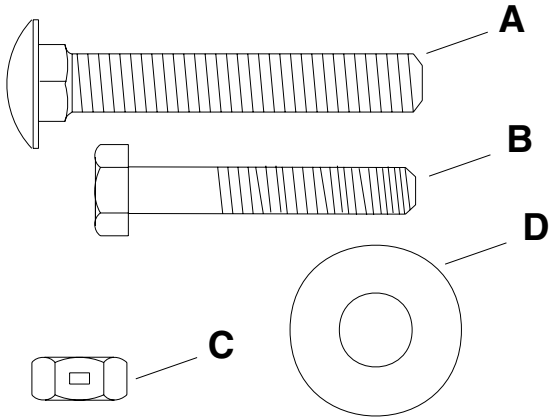
- This cab provides foul weather protection only. It does not provide protection against exhaust fumes, collision, rollover or other accidents.
  - Read the snow cab and vehicle owner's manuals and know how to operate your vehicle before using the snow cab attachment.
  - Be sure there is adequate ventilation when using the tractor and snow cab in confined areas.
- The snow cab will restrict your field of vision in some directions. Use extra caution when operating your tractor with the snow cab attached.
  - Watch out for low tree limbs or other overhead obstructions that may not previously have interfered with operation of the tractor. The extra height of the snow cab may cause these objects to become obstacles.
  - Check the area of operation thoroughly before using the tractor.



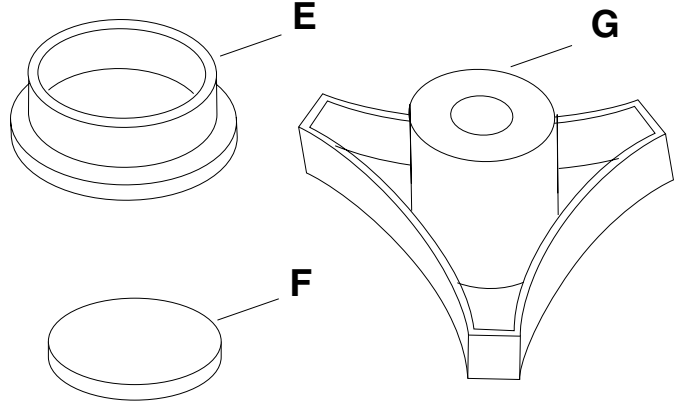
Look for this symbol to point out important safety precautions. It mean--**Attention!! Become alert!! Your safety is involved.**

# HARDWARE PACKAGE CONTENTS

## SHOWN FULL SIZE



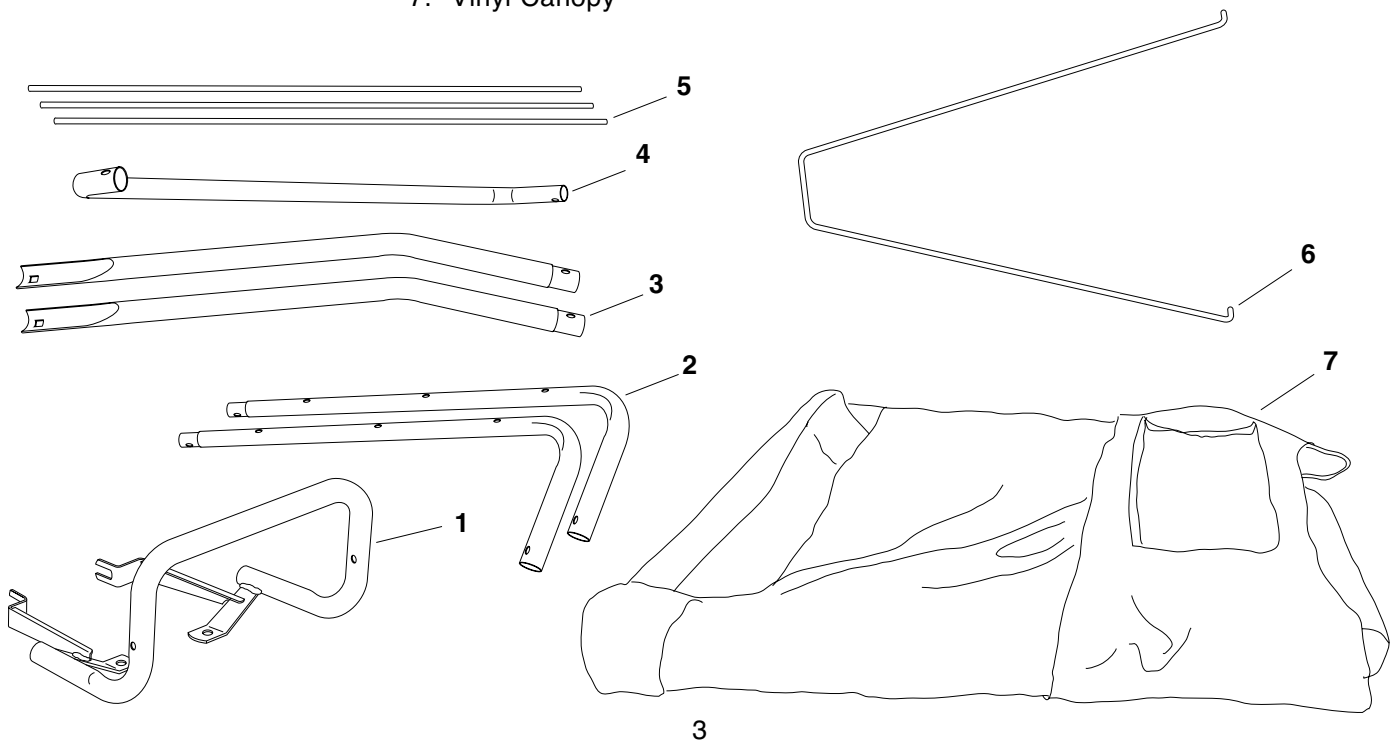
## NOT SHOWN FULL SIZE



REF.	QTY.	DESCRIPTION	REF.	QTY.	DESCRIPTION
A	2	Carriage Bolt, 5/16 x 2"	D	2	Flat Washer, 5/16"
B	4	Hex Bolt, 1/4 x 1-1/2"	E	2	Plug
C	4	Hex Lock Nut, 1/4"	F	4	Rubber Pad
			G	2	Plastic Knob

## CARTON CONTENTS

- |                      |                     |
|----------------------|---------------------|
| 1. Base Assembly     | 4. U-Tube           |
| 2. Top Tubes (2)     | 5. Support Rods (3) |
| 3. Upright Tubes (2) | 6. Front Brace Rod  |
|                      | 7. Vinyl Canopy     |



# ASSEMBLY

## TOOLS REQUIRED FOR ASSEMBLY

- (2) 7/16" Wrenches
- (1) 1/2" or 9/16" Socket Wrench

## REMOVAL OF PARTS FROM CARTON

- Remove all parts and hardware packages from the carton. Lay out all parts and hardware and identify.

## ASSEMBLING SNOW CAB

Your tractor fender style may differ from the one shown in the drawings. These instructions apply to all fender styles.

- Raise the tractor seat, unscrew the seat spring bolts and remove the springs from the rear fender. See figure 1.

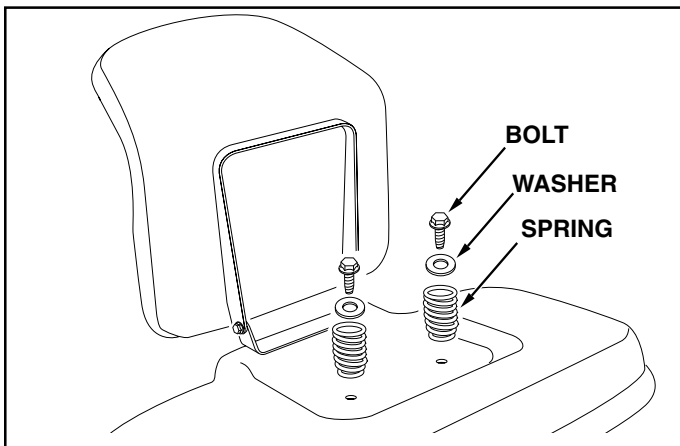


FIGURE 1

- Push the plastic plugs into the ends of the base assembly tubes. See figure 2.

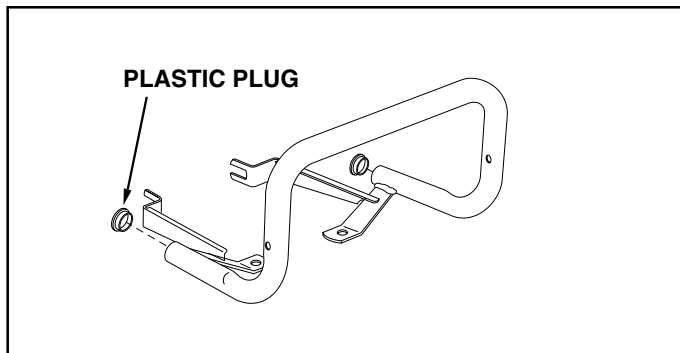


FIGURE 2

- Spread apart the slotted ends of the base assembly's front brackets just enough to fit them on the outside of the seat hinge bracket. Slide the slots over the bolt heads. See figure 3.

**IMPORTANT:** The ends of the front brackets must fit snugly against the outside of the seat hinge bracket to keep the base assembly secured.

- Align the assembly's bottom brackets over the holes where you removed the seat springs. Check to see if the base assembly's tubing rubs against the fender. If the tubing rubs, apply the adhesive pads to the fender, under the tubing. See figure 3.

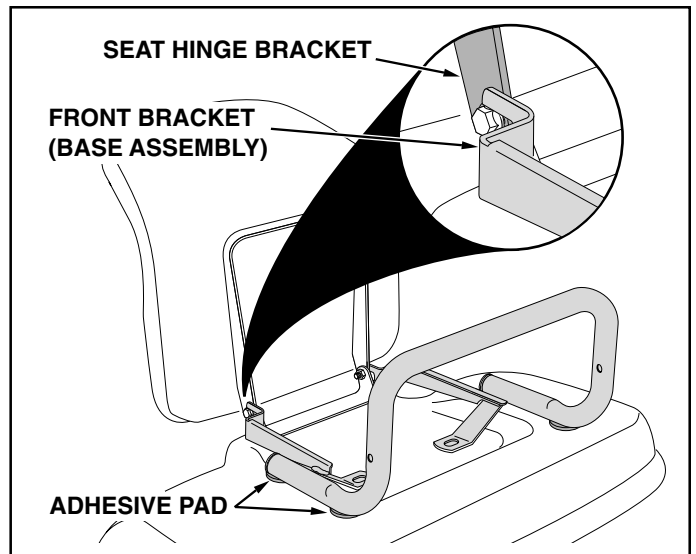


FIGURE 3

- Reassemble the seat springs on top of the base assembly's bottom brackets using the bolts and washers that you removed. Tighten securely, but do not to overtighten. See figure 4.

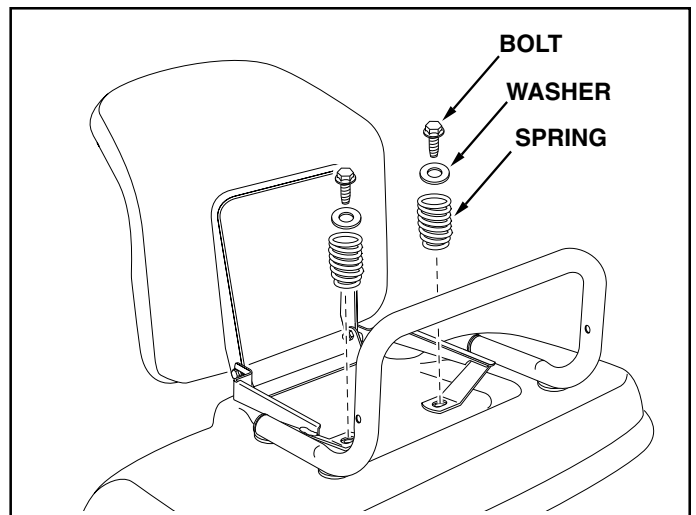


FIGURE 4

- Assemble the upright tubes to the base assembly using two 5/16-18 x 2" carriage bolts (on outside) and two 5/16" flat washers and plastic knobs (on inside). See figure 5.

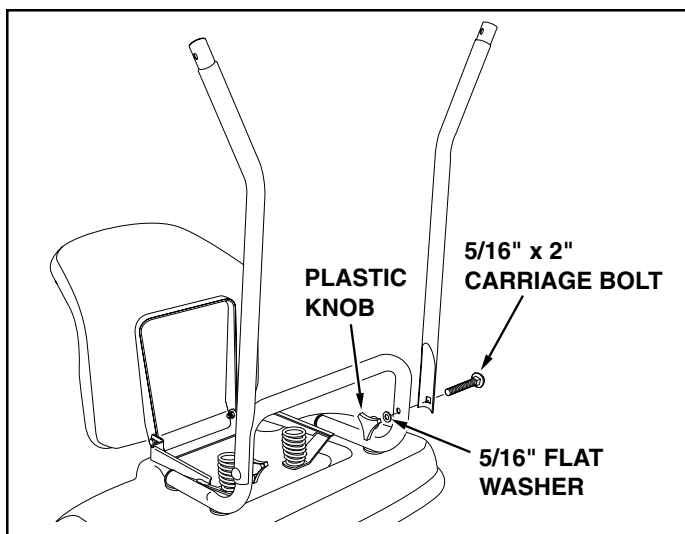


FIGURE 5

- Assemble the top tubes to the upright tubes using two 1/4" x 1-1/2" hex bolts (from outside) and two 1/4" hex lock nuts (inside). **Do not tighten yet.** See figure 6.
- Fit the front U-tube onto the top tubes. Fasten the tubes together using two 1/4" x 1-1/2" hex bolts (on outside) and two 1/4" hex lock nuts (on inside). **Tighten all** loose bolts. See figure 6.
- Fit the three support rods into the holes in the top tubes, with the rods arching upward. **Do not** over bend the rods when installing. See figure 6.

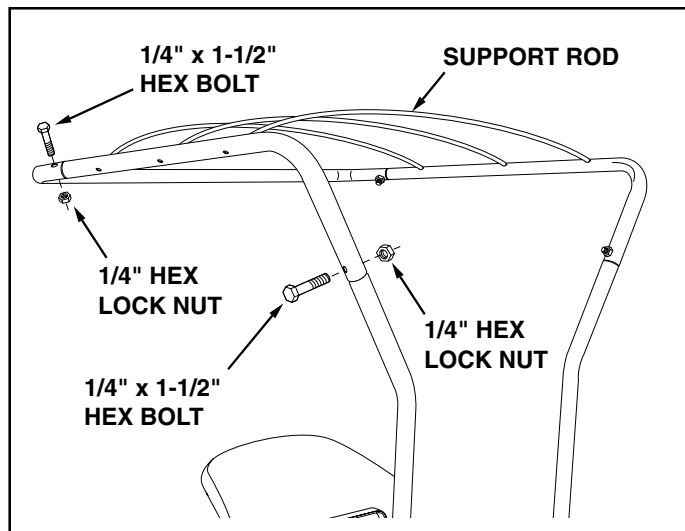


FIGURE 6

- Insert the ends of the front brace rod into the holes in the U-tube and then swing the bottom of the rod down to rest on top of the dash panel. On newer "GT" tractors, use the holes at each end of the U-tube. On older "GT" tractors and on "LT" tractors, the alternate holes in the front section of the U-tube may provide the best fit. See figure 7.

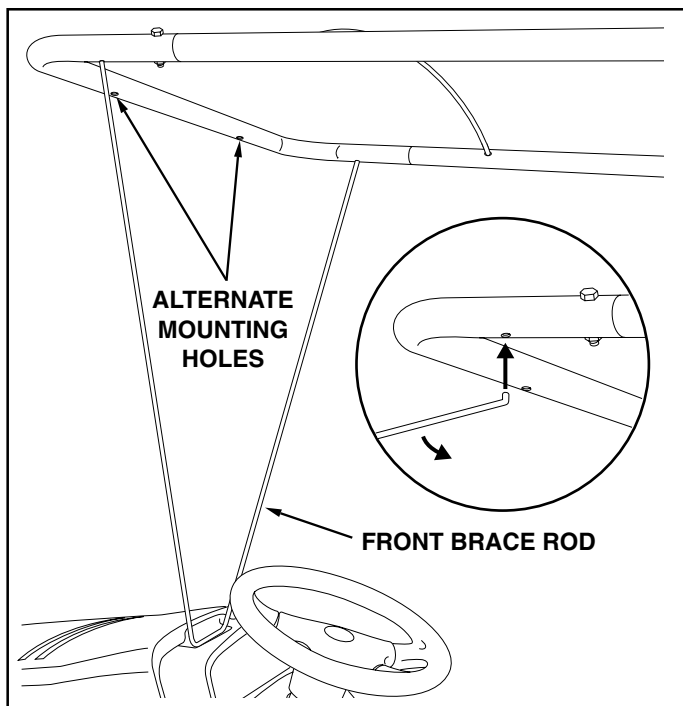


FIGURE 7

- Raise the tractor's hood. Place the snow cab canopy onto the tubing frame, draping the front flap down in front of the tractor's dash panel. Lower the hood, trapping the front flap under the hood. Secure the sides of the canopy by fastening the elastic hooks to the bottom edge of the footrest and fender. Any levers or handles on snowthrowers or snow blades should be located outside of the cab. See figure 8.

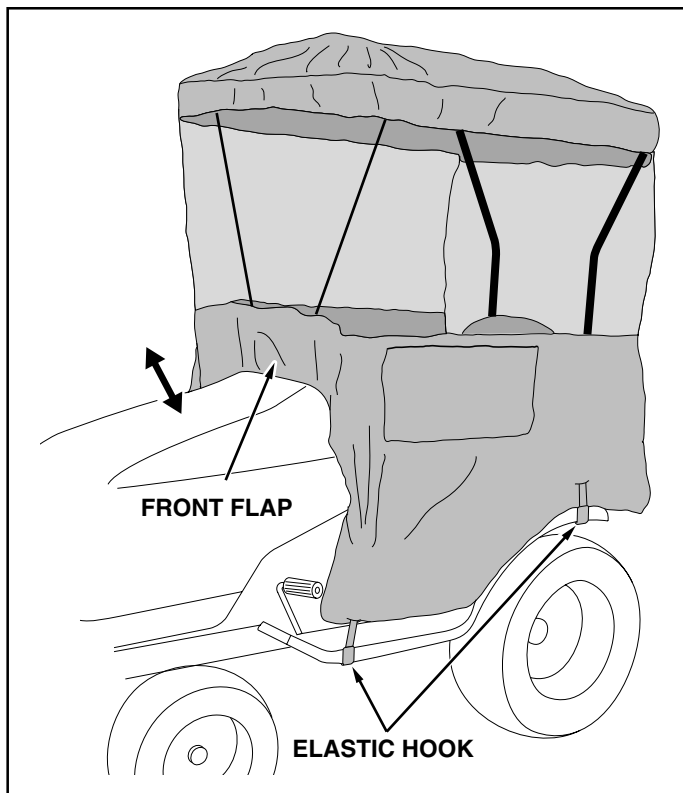


FIGURE 8

# OPERATION

Read this owner's manual and safety rules before operating your tractor with the Snow Cab.



**CAUTION:** Watch out for low tree limbs and other overhead objects which may interfere with the snow cab.



**CAUTION:** This cab provides foul weather protection only. It does not provide protection against exhaust fumes, collision, rollover or other accidents.



**CAUTION:** Never transport the tractor in an open truck or open trailer while the snow cab is attached.

- Check the area of operation thoroughly before using the tractor with the snow cab. The added height of the snow cab and a reduced field of vision require extra caution during operation.
- Unfasten the elastic hooks on one side of the snow cab to get on or off the tractor.
- Operate outside controls on a snowthrower or snow blade through the access flaps in the sides of the canopy.
- Remove the upper snow cab frame and canopy before you transport the tractor in an open truck or open trailer.

# MAINTENANCE/STORAGE

## CUSTOMER RESPONSIBILITIES

- Read and follow the maintenance schedule and the maintenance procedures listed in this section.

MAINTENANCE SCHEDULE Fill in dates as you complete regular service.	Service Dates												
													Before each use
Check for loose fasteners	X												
Cleaning		X	X										

## CHECK FOR LOOSE FASTENERS

- Before each use make a thorough visual check of the snow cab for any bolts and nuts which may have loosened. Retighten any loose bolts and nuts.

## CLEANING

- The vinyl portion of the canopy can be washed using water only, or a mild liquid soap and water.
- The plastic windows should only be washed using running water, or a mild liquid soap and water. Wash the windows with your bare hands only. A cloth, sponge or brush will scratch the clear plastic.

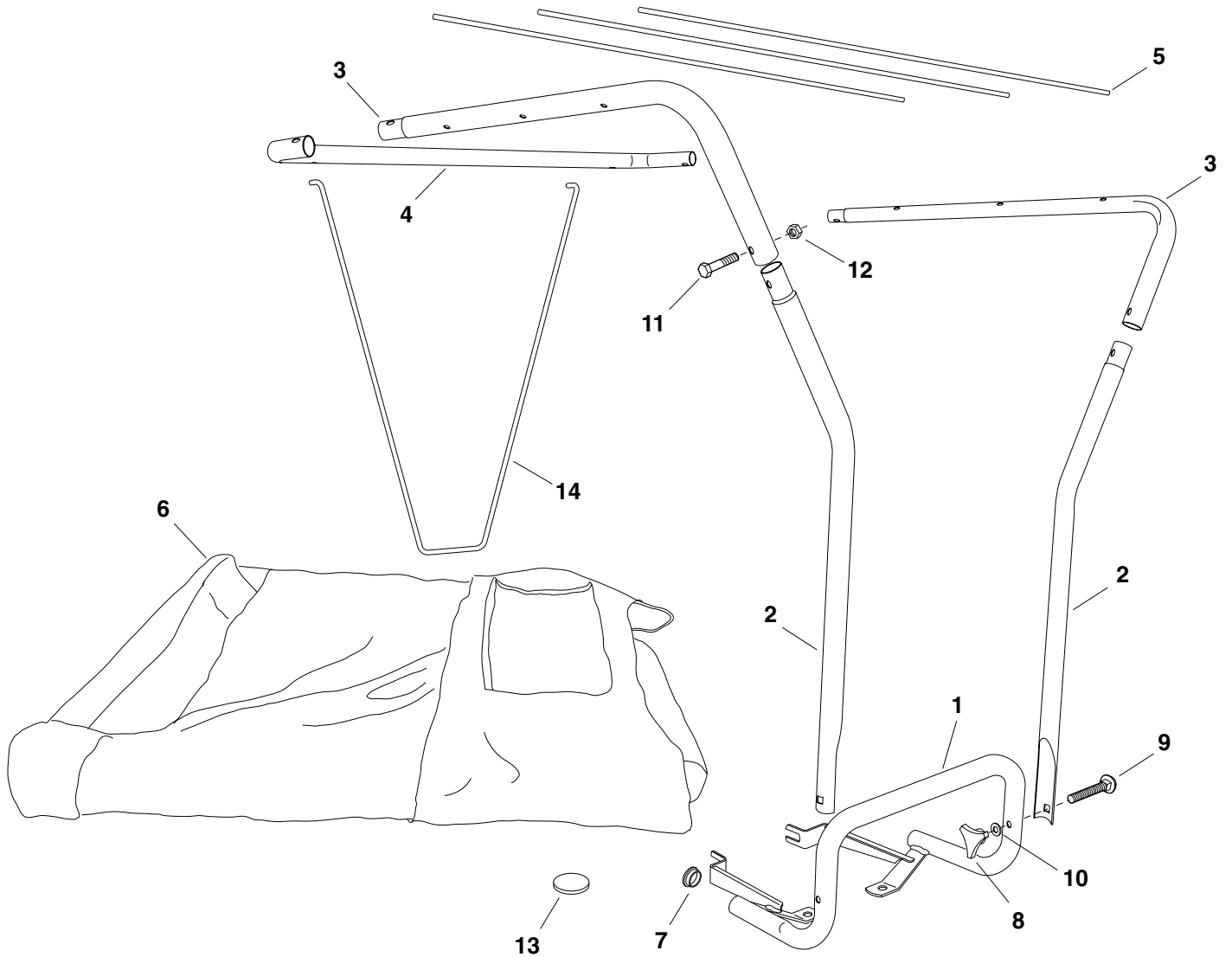
**IMPORTANT:** Never clean the windows when the plastic is dry. The clear plastic will scratch.

## STORAGE

- Clean the vinyl canopy thoroughly with mild liquid soap and water. Allow to dry before storing. Refer to the Cleaning section.
- Store the snow cab in a clean, dry area away from direct sun light.

# PARTS

## REPAIR PARTS FOR MODEL 486.24275 TRACTOR SNOW CAB



REF. NO.	PART NO.	QTY.	DESCRIPTION	REF. NO.	PART NO.	QTY.	DESCRIPTION
1	64567	1	Base Assembly	9	44977	2	Carriage Bolt, 5/16-18 x 2"
2	25014	2	Upright Tube	10	43081	2	Flat Washer, 5/16"
3	25013	2	Top Tube	11	43648	4	Hex Bolt, 1/4-20 x 1-1/2"
4	25012	1	U-Tube	12	43013	4	Hex Lock Nut, 1/4-20
5	25015	3	Support Rod	13	48661	4	Adhesive Pad
6	48738	1	Vinyl Canopy	14	48773	1	Front Brace Rod
7	47674	2	Plastic Plug	15	25040	4	Elastic Hook
8	43720	2	Plastic Knob		48739	1	Owner's Manual

# Get it fixed, at your home or ours!

For repair of major brand appliances **in your own home...**  
no matter who made it, no matter who sold it!

**1-800-4-MY-HOME<sup>SM</sup>** Anytime, day or night  
(1-800-469-4663)

[www.sears.com](http://www.sears.com)

To bring in products such as vacuums, lawn equipment and electronics  
for repair, call for the location of your nearest **Sears Parts & Repair Center.**

**1-800-488-1222** Anytime, day or night

[www.sears.com](http://www.sears.com)

For the replacement parts, accessories and owner's manuals  
that you need to do-it-yourself, call **Sears PartsDirect<sup>SM</sup>!**

**1-800-366-PART** 6 a.m. – 11 p.m. CST,  
(1-800-366-7278) 7 days a week

[www.sears.com/partsdirect](http://www.sears.com/partsdirect)

To purchase or inquire about a Sears Service Agreement:

**1-800-827-6655**

7 a.m. – 5 p.m. CST, Mon. – Sat.

Para pedir servicio de reparación a domicilio,  
y para ordenar piezas con entrega a domicilio:

**1-888-SU-HOGAR<sup>SM</sup>**  
(1-888-784-6427)

Au Canada pour service en français:

**1-877-LE-FOYER<sup>SM</sup>**  
(1-877-533-6937)

