

***Hustler Out-Front Deck  
Parts Manual  
928721, 928739***



**HUSTLER®**



*Hustler Turf Equipment*



*P.O. Box 7000*



*Hesston, Kansas*



*67062-2097*



---

# Table of Contents

## Chapter 1

General Information .....	1-1
---------------------------	-----

## Chapter 2

Deck Assembly .....	2-2
72" Deck Pulley Assembly .....	2-4
60" Deck Pulley Assembly .....	2-6
Gearbox Sub-Assembly—72" Deck .....	2-8
Gearbox Sub-Assembly—60" Deck .....	2-10
Carrier Arm Assembly—72" Deck .....	2-12
Carrier Arm Assembly—60" Deck .....	2-14
Carrier Arm Sub-Assembly—72" Deck .....	2-15
Carrier Arm Sub-Assembly—60" Deck .....	2-16
Side Discharge Deck Adaptors .....	2-17
Spindle Assembly—796235 .....	2-18
Spindle Assembly—601630 .....	2-19

## Chapter 3

Gauge Arm Assembly—549196 .....	3-2
Gauge Wheel Breakdown—786061 .....	3-4

## Chapter 4

Deck Decals .....	4-2
Belt Routing and Tensioning .....	4-3

Index .....	i-1
-------------	-----



# Chapter 1

## **General Information**

This Manual covers Out-Front Deck models **928721 & 928739**.

---

## **Frequently Ordered Parts**

<b>PART NO.</b>	<b>DESCRIPTION</b>
601715	Deck Belt B-Sec 162.00" EL (72" Side Disch. Deck)
791988	Deck Belt B-Sec 140.77" EL (60" Side Disch. Deck)
798702	F24.50"-H-F-CW Blade
794685	F20.50"-H-F-CW Blade

---

## **Service Literature**

<b>PART NO.</b>	<b>DESCRIPTION</b>
109631	Owner's Manual

---

*Note: When ordering parts, you must use the part number as shown for each part, not the index number. Always give the model and serial number to your parts and service representative.*

*Note: Items sold in bulk such as seals and hoses are sold by the foot.*

---

## **Using this manual**

Illustrations used were current at the time of printing, but subsequent production changes may cause your machine to vary slightly in detail. Excel Industries, Inc. reserves the right to redesign and change the machine as deemed necessary, without notification. If a change has been made to your machine which is not reflected in this parts manual, see your Hustler dealer for current information and parts.

## **Hardware Description Codes & Abbreviations**

The following codes are used throughout this parts manual. Refer to this list when ordering parts.

<b>ABBREVIATION</b>	<b>DESCRIPTION</b>
CB	Carriage Bolt
CE	Clevis Pin
CP	Cotter Pin
CS	Cap Screw
CW	Cup Washer
FDRW	Fender Washer
FW	Flat Washer
HX	Hex Head
LW	Lock Washer
MB	Machine Bushing
MS	Machine Screw
NT	Nut
SC	Self Tapping Cap Screw
SH	Socket Head
SB	Shoulder Bolt
SS	Set Screw
OD	Outside Diameter
ID	Inside Diameter

---

## **Standard Torques**

The following chart lists the standard torque values for the threaded fasteners found in this manual. Torque all cap screws, nuts and set screws to these values unless a different torque is shown in the Notes section next to the fastener.

<b>SIZE</b>	<b>FT-LBS</b>	<b>NM</b>	<b>SIZE</b>	<b>FT-LBS</b>	<b>NM</b>
.250	8.2	11.1	M3	1	1.3
.312	17	23	M4	2.2	3
.375	30	40	M5	4.5	6.1
.438	48	65	M6	7.7	10.4
.500	73	99	M8	18.5	25
.562	105	143	M10	37	50
.625	145	200	M12	64	87
.750	260	350	M14	80	108.5
.875	420	565	M16	160	215
1.00	625	850	M20	320	435
			M24	555	750

---

### **NOTE:**

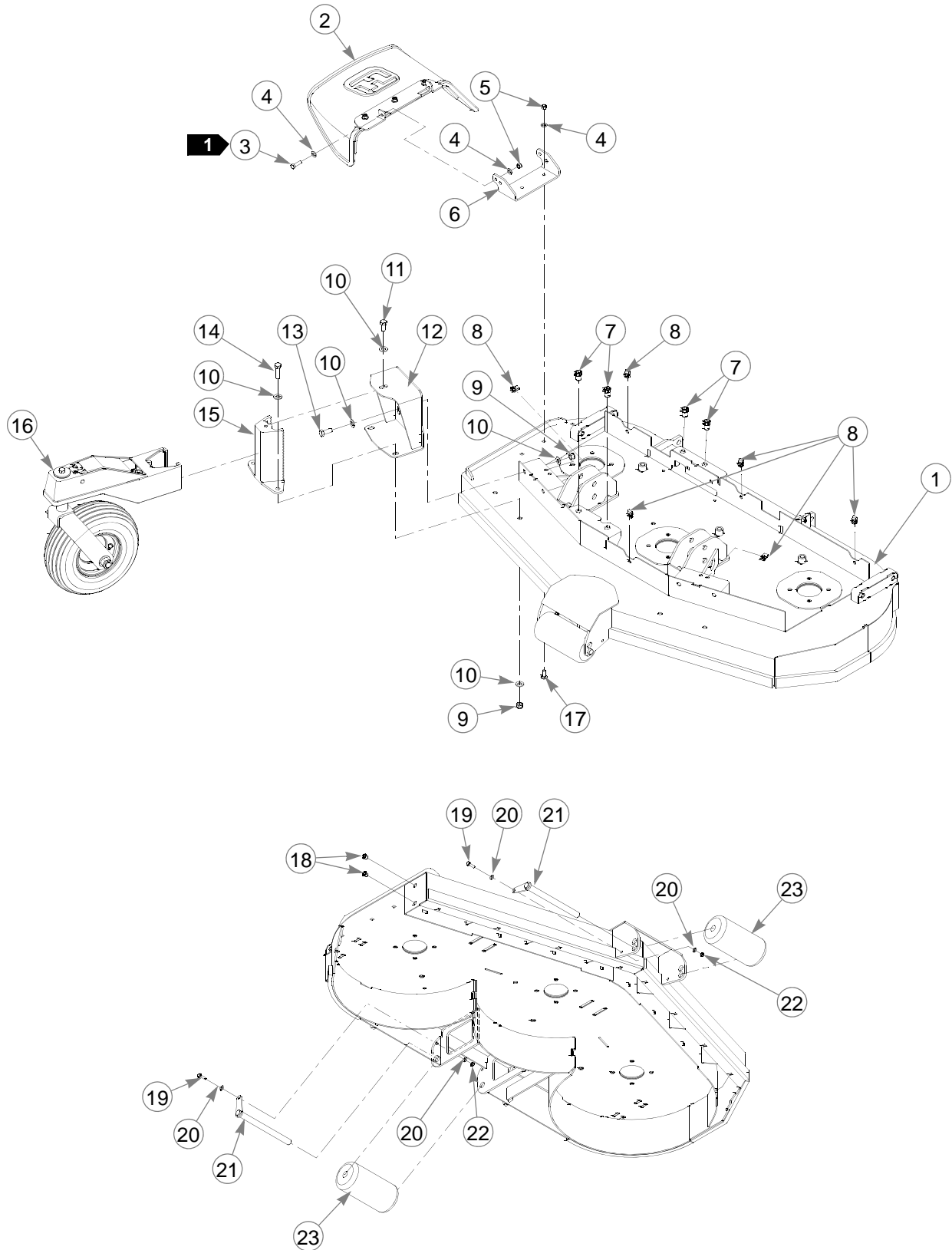
**Loctite® 592 to be used on all pipe threads.  
Lubricate all grease zerks.**

---

## Chapter 2 Contents

Deck Assembly . . . . .	2-2
72" Deck Pulley Assembly . . . . .	2-4
60" Deck Pulley Assembly . . . . .	2-6
Gearbox Sub-Assembly—72" Deck . . . . .	2-8
Gearbox Sub-Assembly—60" Deck . . . . .	2-10
Carrier Arm Assembly—72" Deck . . . . .	2-12
Carrier Arm Assembly—60" Deck . . . . .	2-14
Carrier Arm Sub-Assembly—72" Deck . . . . .	2-15
Carrier Arm Sub-Assembly—60" Deck . . . . .	2-16
Side Discharge Deck Adaptors . . . . .	2-17
Spindle Assembly—796235 . . . . .	2-18
Spindle Assembly—601630 . . . . .	2-19

# Deck Assembly





---

## **Deck Assembly**

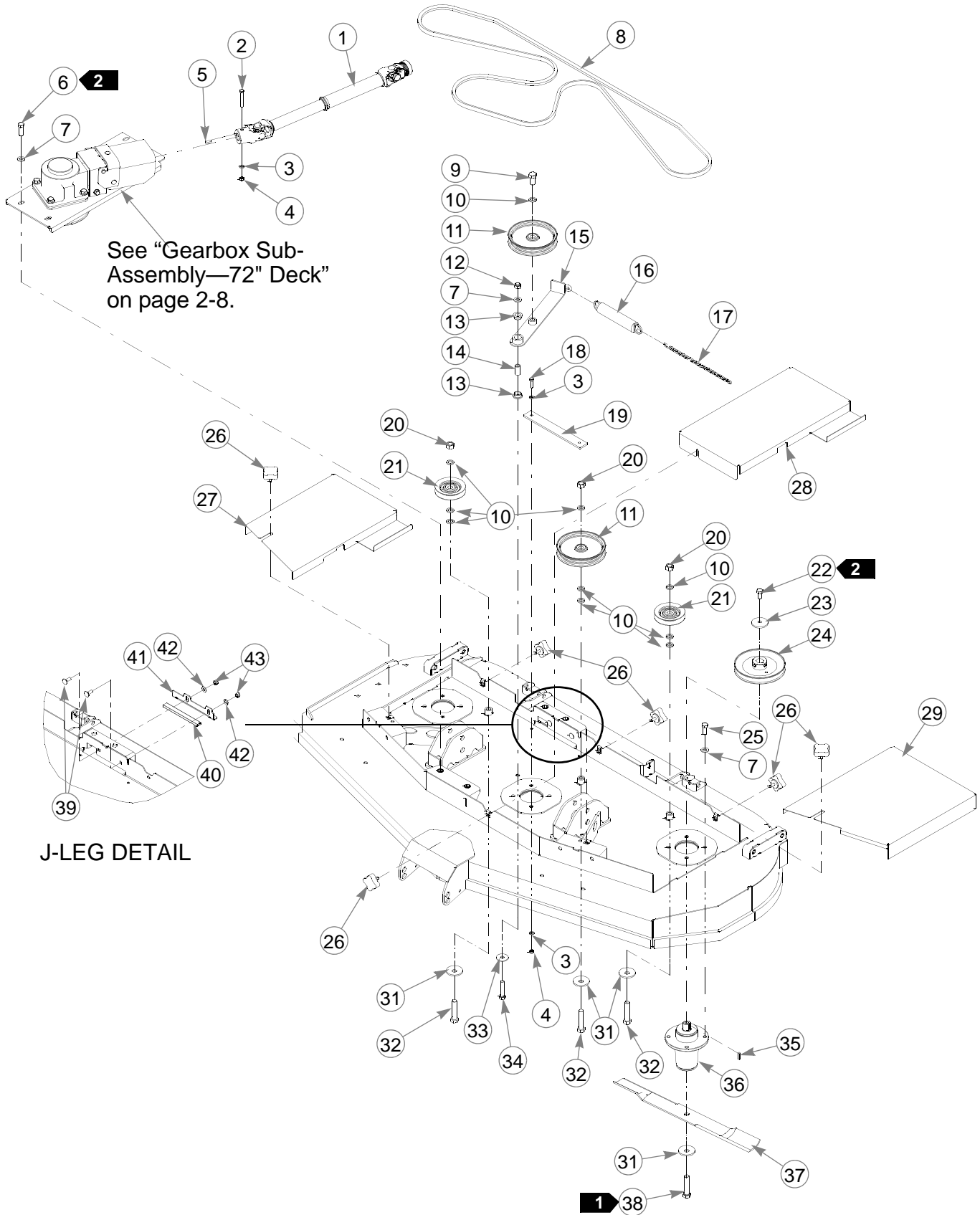
INDEX NO.	SERVICE PART NO.	MFG. PART NO.	QTY.	DESCRIPTION	
<b>2</b>	1	549683	109322	1	DECK W/A 60" OUT-FRONT
		549691	109785	1	DECK W/A 72" OUT-FRONT
	2	798694	798694	1	RUBBER CHUTE ASSEMBLY
	3	052860	052860	2	CS .375-16X1.250 HX G5
	4	767954	767954	6	FW .406X .812 X.060 SAE
	5	086660	086660	4	NT .375-16 HXZY NL
	6	103010	103010	1	DISCHARGE CHUTE BRACKET
	7	601573	601573	4	1/2-13 THREAD RIVET NUT
	8	601069	601069	6	CN .312-18X.200 MAX THK
	9	781567	781567	8	NT .500-13 H8ZY NL
	10	767962	767962	18	FW .531X 1.063X.090 SAE
	11	016527	016527	2	CS .500-13X1.00 HX G5 Z
	12	109591	109591	2	GAUGE ARM MOUNT W/A
	13	705954	705954	4	CS .500-13X1.25 HX G5 Z
	14	017616	017616	4	CS .500-13X1.750 HX G5
	15	466631	466631	2	GAGE ARM MOUNT
	16	549196	N/A	2	GAUGE WHEEL ASSY
	17	025395	025395	2	CB .375-16X 1.00 STD CD
	18	808493	808493	2	3/8-16 THREAD RIVET NUT
	19	016154	016154	2	CS .250-20X1.000 HXFLK
	20	768515	768515	4	FW .281X.625X.051/.080H
	21	109616	109616	2	SCALP ROLLER AXLE W/A
	22	068551	068551	2	NT .250-20 HXZY NL
	23	601536	601536	2	ANTI-SCALP ROLLER

---

### **NOTES:**

1. Do not torque, Item 2 (798694 Discharge Chute) must pivot freely.
2. Service part includes Item 7 (Rivet Nuts) and decals (see "Deck Decals" on page 4-2).

# 72" Deck Pulley Assembly



---

# 72" Deck Pulley Assembly

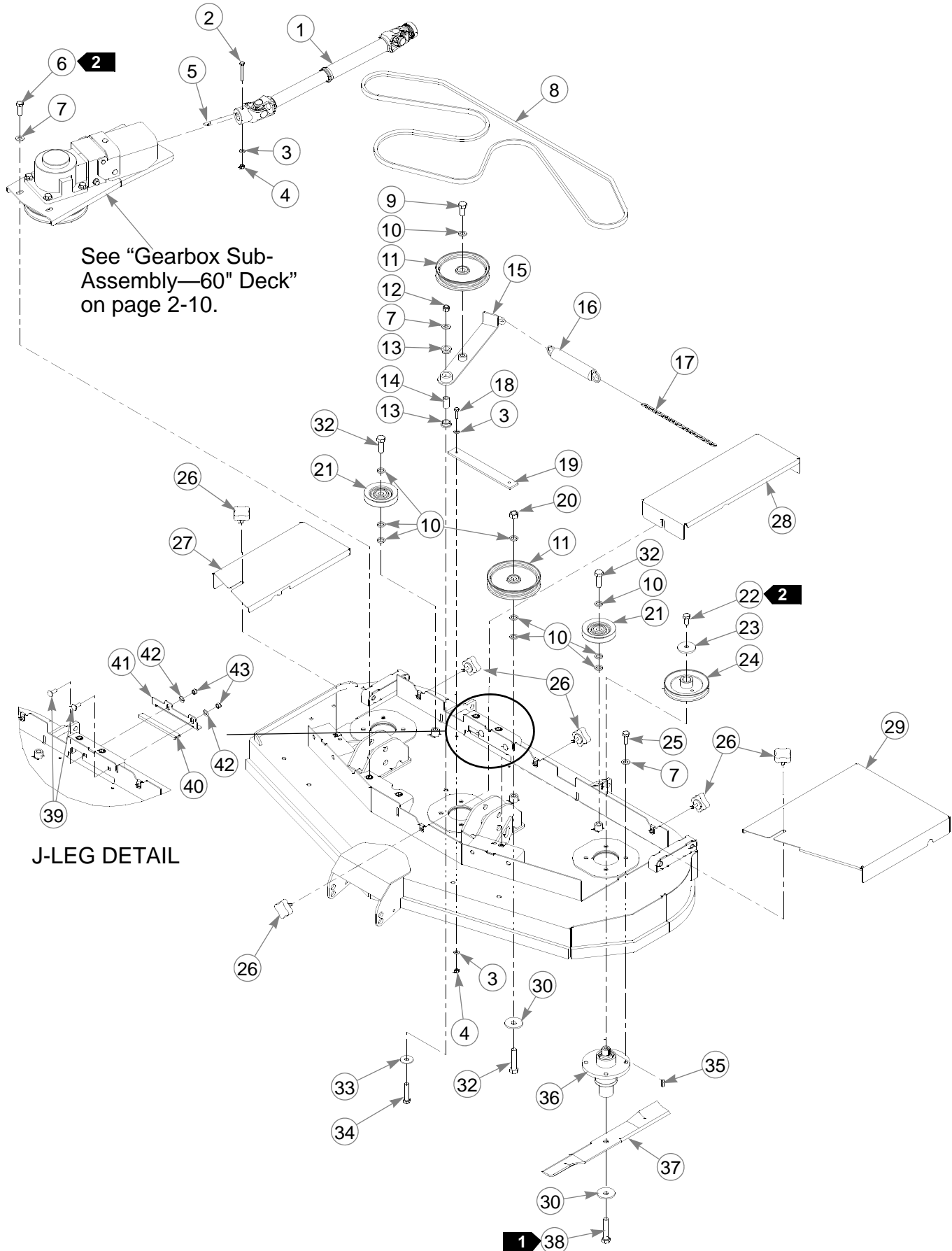
INDEX NO.	SERVICE PART NO.	MFG. PART NO.	QTY.	DESCRIPTION
1	601512	601512	1	DRIVE SHAFT
2	710087	710087	1	CS .312-18X2.500 HX G5
3	768523	768523	5	FW .343X.687X.051/.080H
4	058776	058776	3	NT .312-18 HXZY NL
5	036715	036715	1	WOODRUFF 1/4X7/8 SAE A
6	074252	074252	4	CS .500-13X1.500 HX G5
7	767962	767962	17	FW .531X 1.063X.090 SAE
8	601715	601715	1	BELT B 162.0" EL
9	781872	781872	1	CS .625-11X1.25 HX G5 Z
10	028118	028118	10	FW .625X1.00X.134 ZNYC
11	781385	781385	2	IDLER PULLEY NHI 6.00"
12	781567	781567	1	NT .500-13 HX G8 ZY NL
13	770867	770867	2	BUSHING PLAS .750X1(FS)
14	109549	109549	1	IDLER PIVOT BUSHING
15	109539	109539	1	IDLER ARM W/A
16	781302	781302	1	IDLER SPRING
17	373191	373191	1	SIDE MOUNT CHAIN
18	079186	079186	2	CS .312-18X1.250 HX G5
19	601537	601537	1	UHMW WEARPLATE
20	016972	016972	3	NT .625-11 HX G5 ZNYC
21	788364	788364	2	IDLER PULLEY NHI 4.288"
22	016527	016527	3	CS .500-13X1.00 HX G5 Z
23	752386	752386	3	CW .515X 2.25X .204 ZN
24	538850	538850	3	DRIVE PULLEY
25	705954	705954	12	CS .500-13X1.25 HX G5 Z
26	792002	792002	6	5/16-18 X 3/4" MALE KNOB
27	109799	109799	1	RIGHT PULLEY COVER
28	109798	109798	1	CENTER PULLEY COVER
29	109800	109800	1	LEFT PULLEY COVER
30	782474	782474	6	CW .631 2.250X .187 PNT
31	025007	025007	2	CS .625-11X1.750 HX G5
32	783738	783738	3	CS .625-11X3.00 FULL HX
33	798603	798603	1	FW .515X1.65X.125 HD ZY
34	008573	008573	1	CS .500-13X2.500 HX G5
35	212472	212472	3	KEY 1/4 SQ X 1.00 LG(FS)
36	601630	601630	3	SPINDLE HOUSING ASSEMBLY
37	798702	798702	3	F24.50"-H-F-CW BLADE
38	016642	016642	3	CS .625-11X2.000 HX G5 Z
39	025395	025395	2	CB .375-16X 1.00 STD CD
40	601781	601781	1	UHMW J-LEG .75 WIDE
41	110761	110761	1	J-LEG HOLDER
42	767954	767954	2	FW .406X .812 X.060 SAE
43	086660	086660	2	NT .375-16 HXZY NL

---

## NOTES:

1. Torque to 118 ft. lbs.
2. Torque to 67-75 ft. lbs.

# 60" Deck Pulley Assembly



---

# **60" Deck Pulley Assembly**

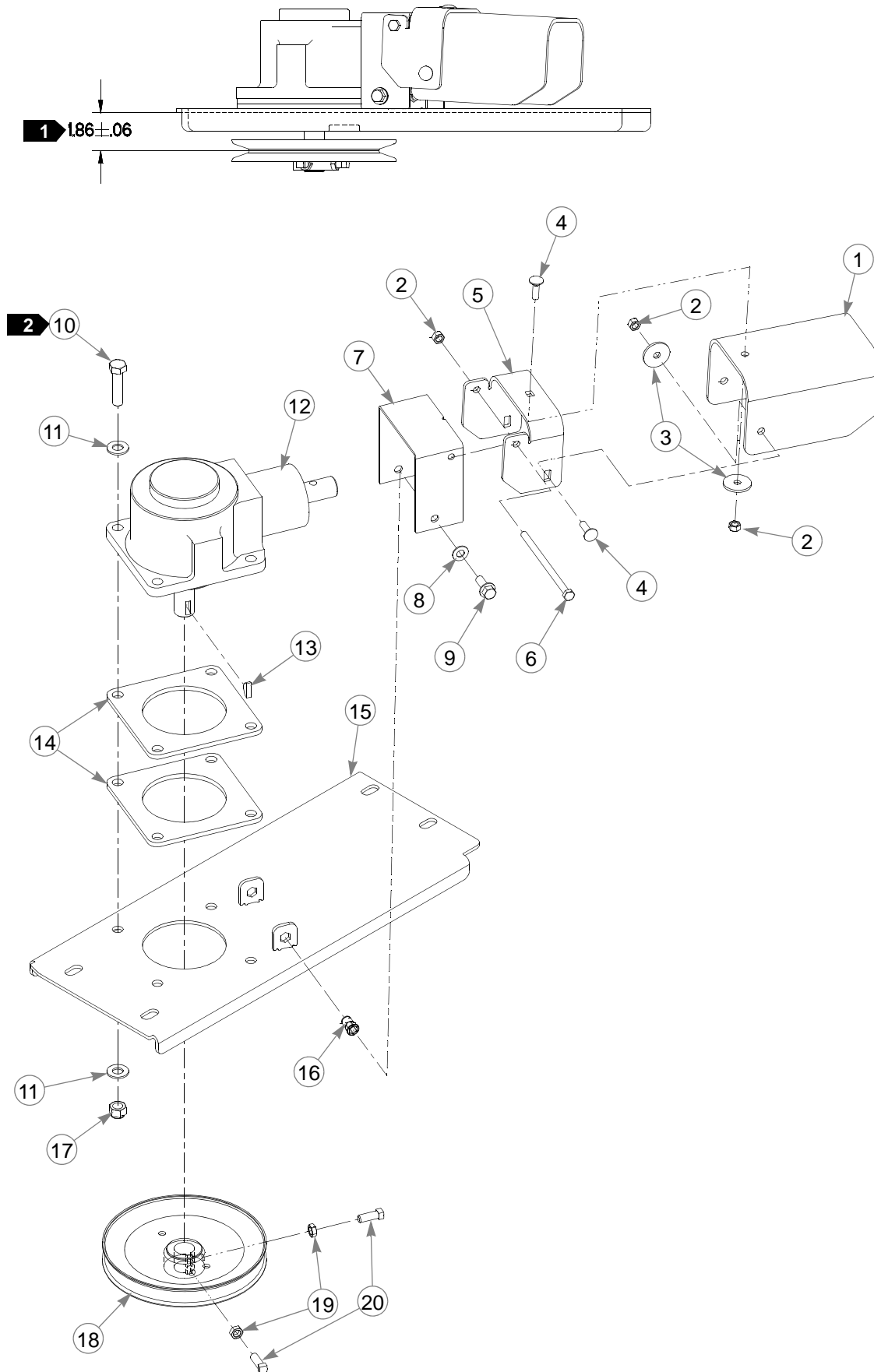
INDEX NO.	SERVICE PART NO.	MFG. PART NO.	QTY.	DESCRIPTION
1	601512	601512	1	DRIVE SHAFT
2	710087	710087	1	CS .312-18X2.500 HX G5
3	768523	768523	5	FW .343X.687X.051/.080H
4	058776	058776	3	NT .312-18 HXZY NL
5	036715	036715	1	WOODRUFF 1/4X7/8 SAE A
6	074252	074252	4	CS .500-13X1.500 HX G5
7	767962	767962	17	FW .531X 1.063X.090 SAE
8	791988	791988	1	BELT B 140.77" EL
9	781872	781872	1	CS .625-11X1.25 HX G5 Z
10	028118	028118	10	FW .625X1.00X.134 ZNYC
11	781385	781385	2	IDLER PULLEY NHI 6.00"
12	781567	781567	1	NT .500-13 HX G8 ZY NL
13	770867	770867	2	BUSHING PLAS .750X1(FS)
14	109549	109549	1	IDLER PIVOT BUSHING
15	109539	109539	1	IDLER ARM W/A
16	781302	781302	1	IDLER SPRING
17	373191	373191	1	SIDE MOUNT CHAIN
18	079186	079186	2	CS .312-18X1.250 HX G5
19	601537	601537	1	UHMW WEARPLATE
20	016972	016972	1	NT .625-11 HX G5 ZNYC
21	788364	788364	2	IDLER PULLEY NHI 4.288"
22	016527	016527	3	CS .500-13X1.00 HX G5 Z
23	752386	752386	3	CW .515X 2.25X .204 ZN
24	798967	798967	3	PULLEY B-SEC 5.44 EOD
25	705954	705954	12	CS .500-13X1.25 HX G5 Z
26	792002	792002	6	5/16-18 X 3/4" MALE KNOB
27	109424	109424	1	RIGHT PULLEY COVER
28	109423	109423	1	CENTER PULLEY COVER
29	109425	109425	1	LEFT PULLEY COVER
30	782474	782474	4	CW .631 2.250X .187 PNT
31	025007	025007	2	CS .625-11X1.750 HX G5
32	783738	783738	1	CS .625-11X3.00 FULL HX
33	798603	798603	1	FW .515X1.65X.125 HD ZY
34	008573	008573	1	CS .500-13X2.500 HX G5
35	212472	212472	3	KEY 1/4 SQ X 1.00 LG(FS)
36	796235	796235	3	SPINDLE HOUSING ASSEMBLY
37	794685	794685	3	F20.50"-H-F-CW BLADE
38	029934	029934	3	CS .625-11X3.000 HX G5
39	025395	025395	2	CB .375-16X 1.00 STD CD
40	601781	601781	1	UHMW J-LEG .75 WIDE
41	110761	110761	1	J-LEG HOLDER
42	767954	767954	2	FW .406X .812 X.060 SAE
43	086660	086660	2	NT .375-16 HXZY NL

---

## **NOTES:**

1. Torque to 118 ft. lbs.
2. Torque to 67-75 ft. lbs.

# Gearbox Sub-Assembly—72" Deck



---

## **Gearbox Sub-Assembly—72" Deck**

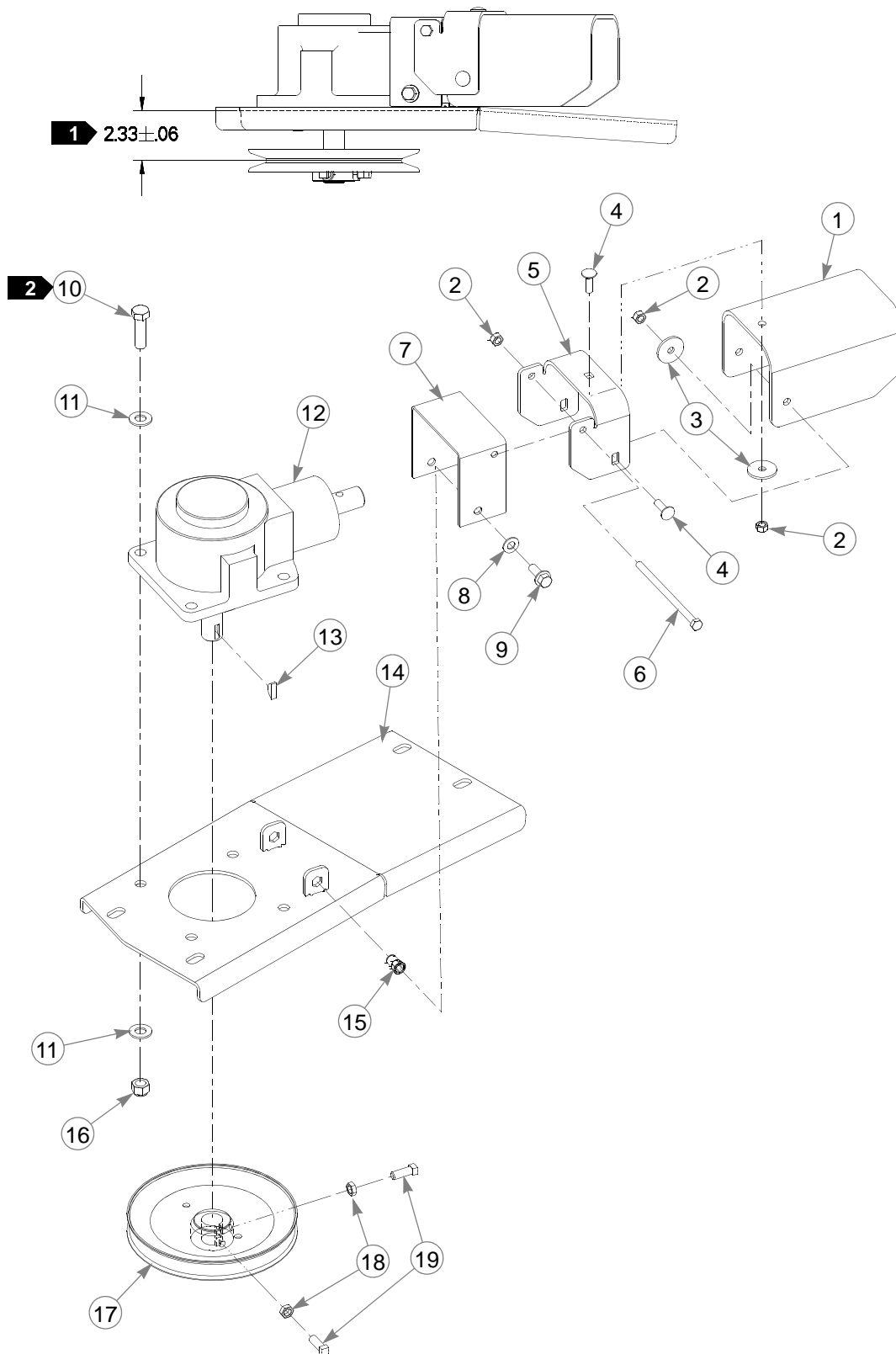
INDEX NO.	SERVICE PART NO.	MFG. PART NO.	QTY.	DESCRIPTION
1	601643	601643	1	FLEXIBLE JOINT COVER
2	058776	058776	3	NT .312-18 HXZY NL
3	079202	079202	3	FW .344X 1.380X.12 ZN
4	037887	037887	3	CB .312-18X 1.000 FUL Z
5	109829	109829	1	PIVOT BRACKET SHIELD
6	746263	746263	1	CS .312-18X5.50 HX G5 Z
7	110524	110524	1	ANCHOR BRACKET SHIELD
8	767954	767954	2	FW .406X .812 X.060 SAE
9	029751	029571	2	CS .375-16X1.000 HXFLK
10	078949	078949	4	CS .500-13X2.000 G5 ZNY
11	767962	767962	8	FW .531X 1.063X.090 SAE
12	601641	601641	1	GEAR BOX
13	036715	036715	1	WOODRUFF 1/4X7/8 SAE A
14	109562	109562	2	GEARBOX SPACER
<b>3</b>	15	549725	109795	1 GEARBOX MOUNT W/A
16	600994	600994	2	3/8-16 THREAD RIVET NUT
17	781567	781567	4	NT .500-13 H8ZY NL
18	467324	467324	1	DRIVE PULLEY
19	706168	706168	2	NT .375-16 HX JAM GR5 Z
20	042051	042051	2	SS .375-16X 1.00 SQ-HD

---

### NOTES:

1. The center line of 467324 (Drive Pulley) must sit  $1.86 \pm .06$ " below the bottom surface of 109795 (Gearbox Mount W/A).
2. Torque to 67-75 ft. lbs.
3. Service part includes safety decal and rivet nuts (Item 16); see "Deck Decals" on page 4-2.

# Gearbox Sub-Assembly—60" Deck





---

## **Gearbox Sub-Assembly—60" Deck**

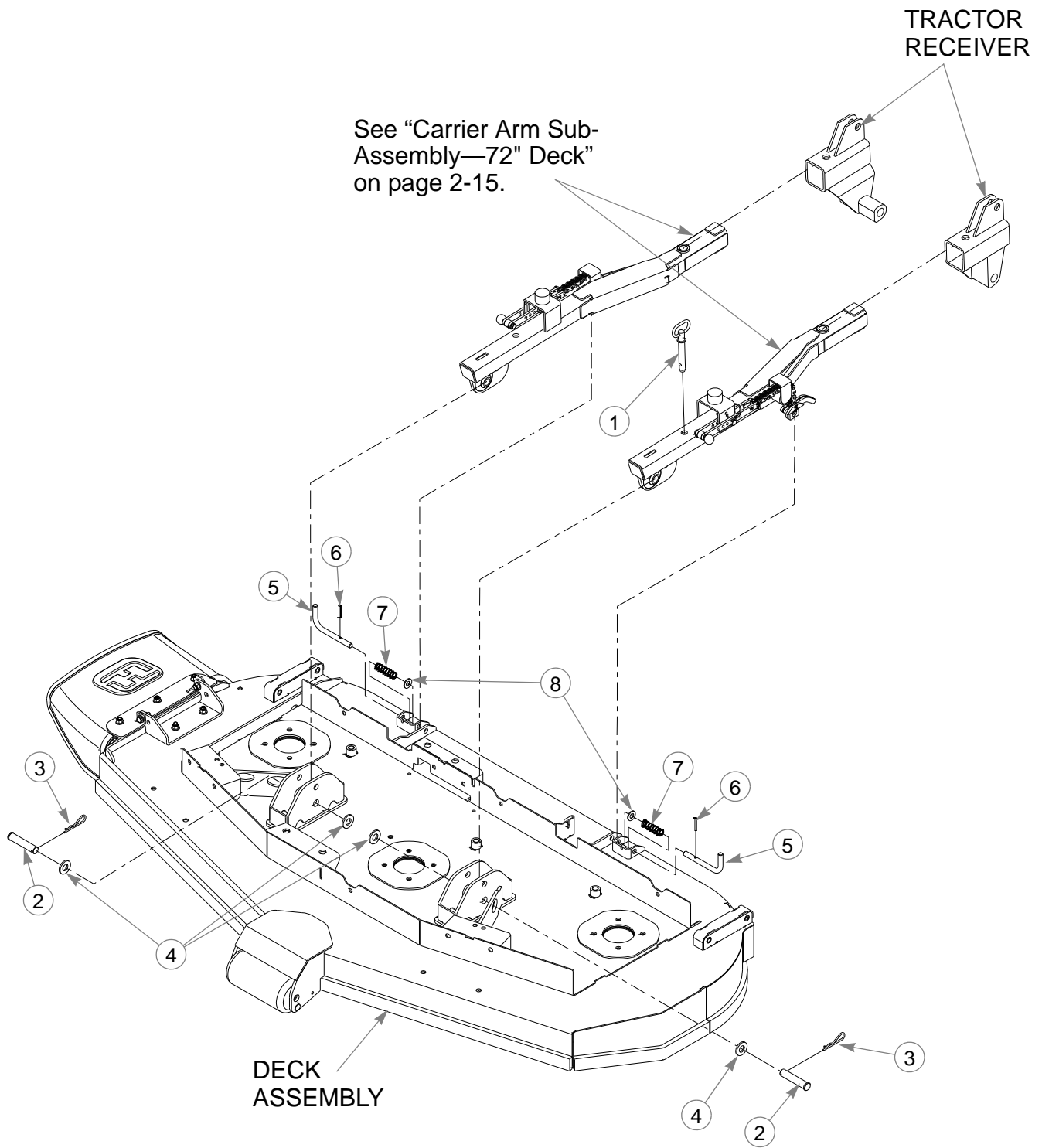
INDEX NO.	SERVICE PART NO.	MFG. PART NO.	QTY.	DESCRIPTION
1	601643	601643	1	FLEXIBLE JOINT COVER
2	058776	058776	3	NT .312-18 HXZY NL
3	079202	079202	3	FW .344X 1.380X.12 ZN
4	037887	037887	3	CB .312-18X 1.000 FUL Z
5	109829	109829	1	PIVOT BRACKET SHIELD
6	746263	746263	1	CS .312-18X5.50 HX G5 Z
7	109828	109828	1	ANCHOR BRACKET SHIELD
8	767954	767954	2	FW .406X .812 X.060 SAE
9	029751	029571	2	CS .375-16X1.000 HXFLK
10	017616	017616	4	CS .500-13X1.750 HX G5
11	767962	767962	8	FW .531X 1.063X.090 SAE
12	601641	601641	1	GEAR BOX
13	036715	036715	1	WOODRUFF 1/4X7/8 SAE A
<b>3</b>	549717	109563	1	GEARBOX MOUNT W/A
15	600994	600994	2	3/8-16 THREAD RIVET NUT
16	781567	781567	4	NT .500-13 H8ZY NL
17	467324	467324	1	DRIVE PULLEY
18	706168	706168	2	NT .375-16 HX JAM GR5 Z
19	042051	042051	2	SS .375-16X 1.00 SQ-HD

---

### NOTES:

1. The center line of 467324 (Drive Pulley) must sit  $2.33 \pm .06$ " below the bottom surface of 109563 (Gearbox Mount W/A).
2. Torque to 67-75 ft. lbs.
3. Service part includes safety decal and rivet nuts (Item 15); see "Deck Decals" on page 4-2.

# Carrier Arm Assembly—72" Deck



---

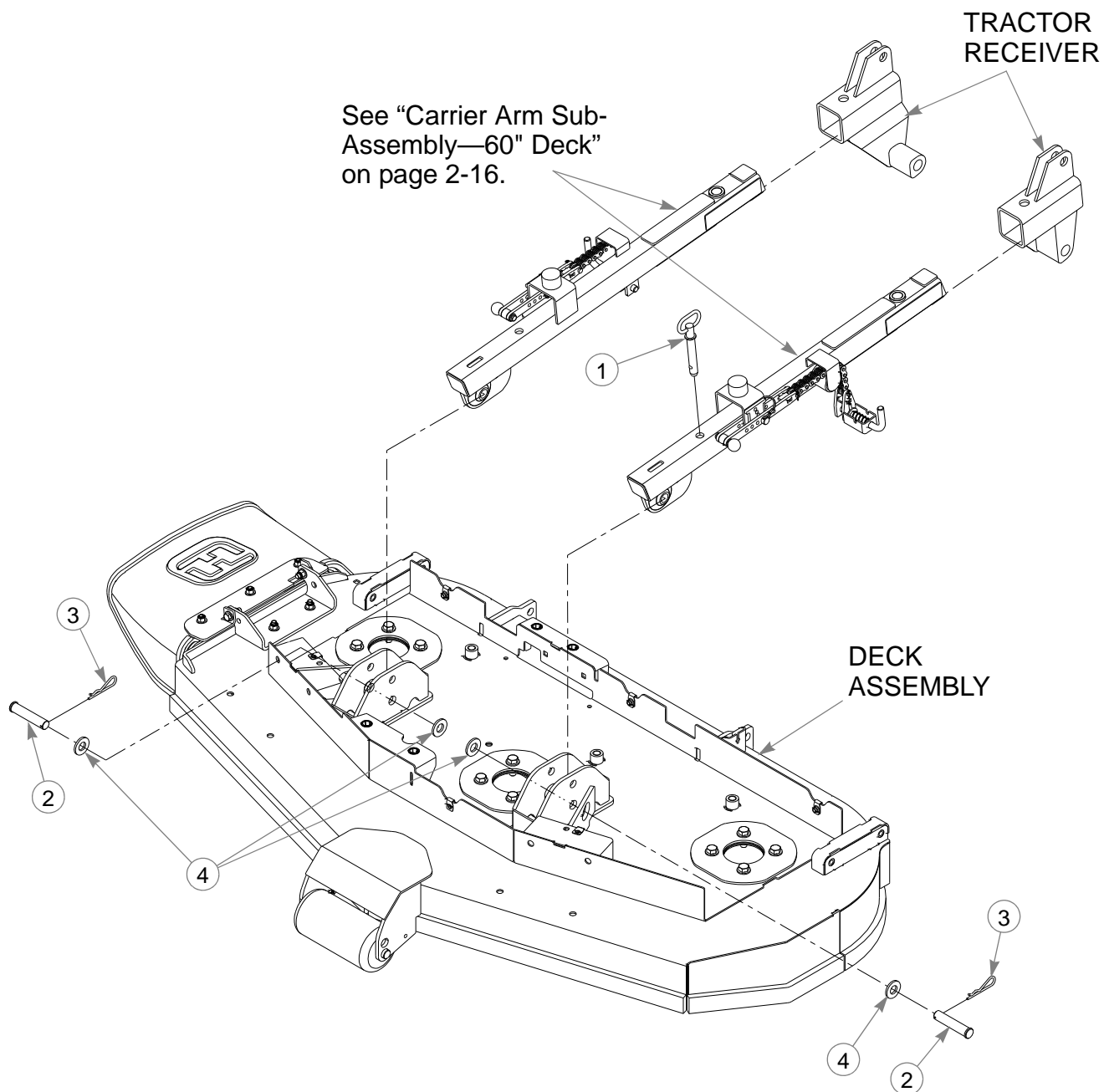
## **Carrier Arm Assembly—72" Deck**

<b>INDEX NO.</b>	<b>SERVICE PART NO.</b>	<b>MFG. PART NO.</b>	<b>QTY.</b>	<b>DESCRIPTION</b>
1	766428	766428	1	HITCH PIN COTTERLESS
2	063578	063578	2	CE .750X3.50 .150X3.32
3	023036	023036	2	HP .148 X2.690 ZN
4	084749	084749	4	FW .750X 1.500X.156 SPL
5	601578	601578	2	RELEASE PIN
6	601579	601579	2	SPRING (ROLL) PIN
7	601580	601580	2	COMPRESSION SPRING
8	767962	767962	2	FW .531X 1.063X.090 SAE

---

### **NOTES:**

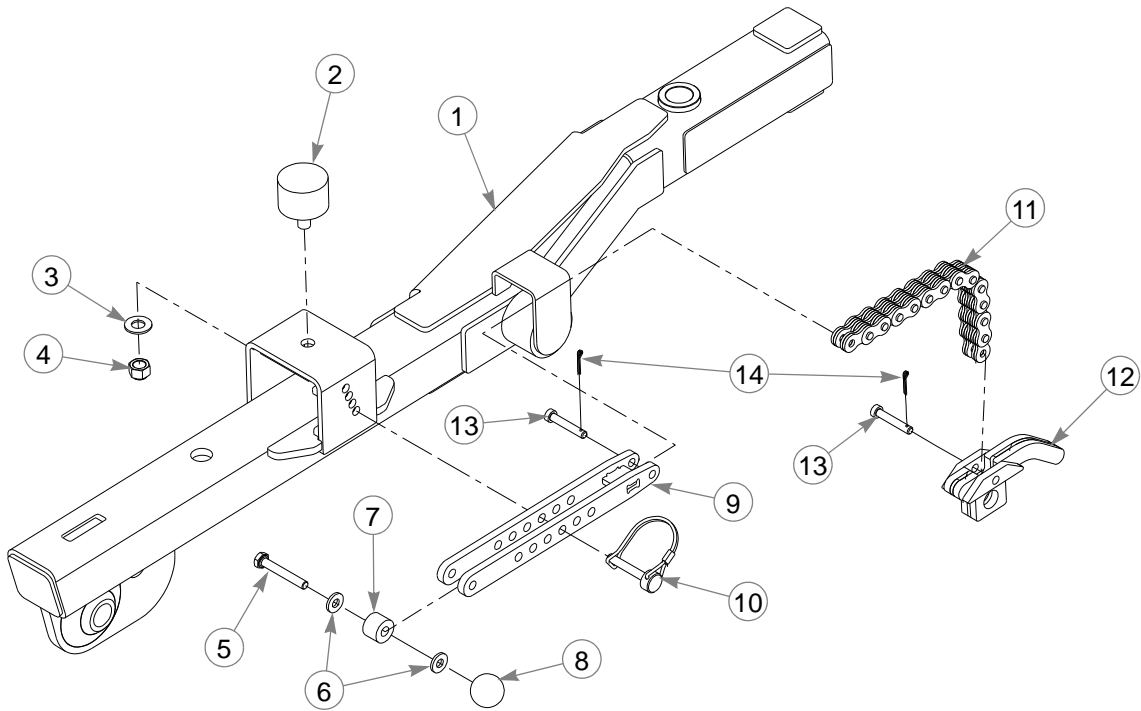
# Carrier Arm Assembly—60" Deck



INDEX NO.	SERVICE PART NO.	MFG. PART NO.	QTY.	DESCRIPTION
1	766428	766428	1	HITCH PIN COTTERLESS
2	063578	063578	2	CE .750X3.50 .150X3.32
3	023036	023036	2	HP .148 X2.690 ZN
4	084749	084749	4	FW .750X 1.500X.156 SPL

## NOTES:

# Carrier Arm Sub-Assembly—72" Deck

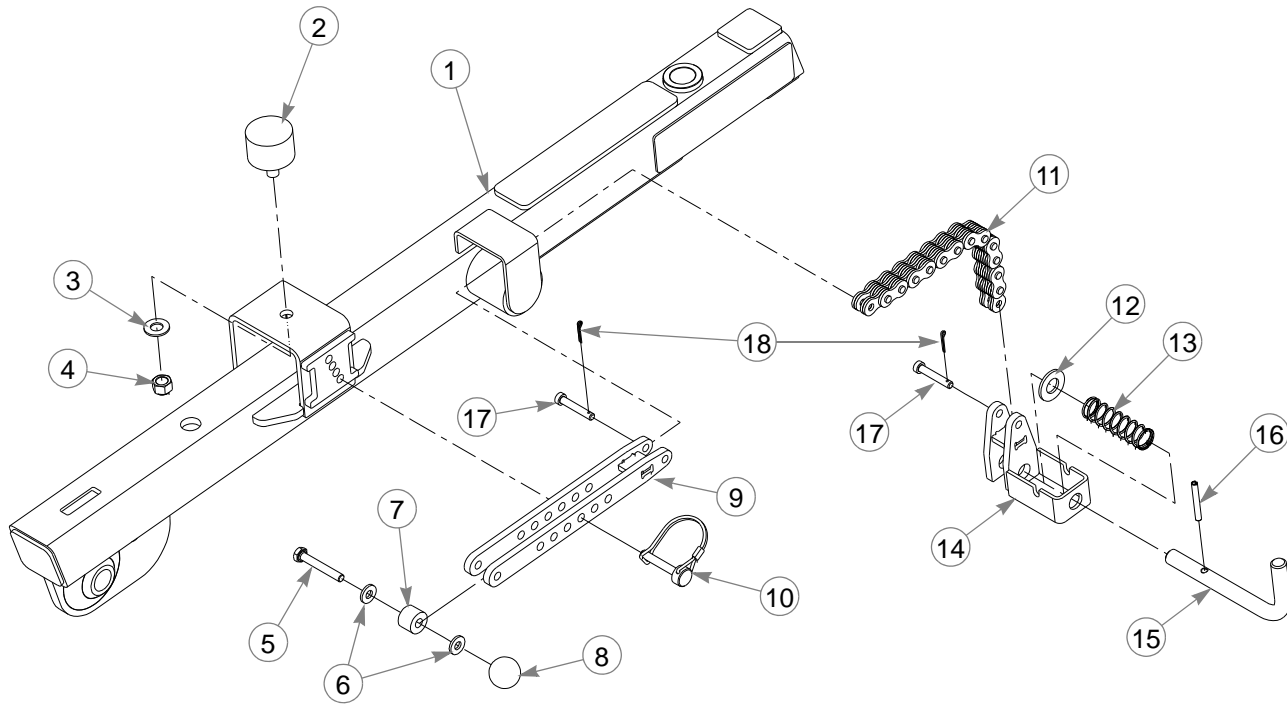


ITEM NO.	SERVICE PART NO.	MFG. PART NO.	QTY.	DESCRIPTION
1	109952	109952	1	LIFT ARM W/A LS (SHOWN)
	109951	109951	1	LIFT ARM W/A RS (NOT SHOWN)
2	601650	601650	1	VIBRATION MOUNT
3	767954	767954	1	FW .406X .812 X.060 SAE
4	086660	086660	1	NT .375-16 HXZY NL
5	705145	705145	1	CS .250-20X1.750 HX G5
6	768515	768515	2	FW .281X.625X.051/.080H
7	110186	110186	1	SPACER BUSHING
8	056333	056333	1	KNOB 1.00 ROUND.250-20
9	110695	110695	1	YOKE W/A
10	601689	601689	1	CE .250 X 1-15/16 W/BALE
11	601762	601762	1	LEAF CHAIN 4X4 5/8 PITCH
12	110478	110478	1	CHAIN LUG W/A
13	601770	601770	2	CONNECTING PIN W/HEAD
14	017228	017228	2	CP .062DX .500 LG HML Z

### NOTES:

1. Left side is shown; right side lift arm assembly is similar.

# Carrier Arm Sub-Assembly—60" Deck

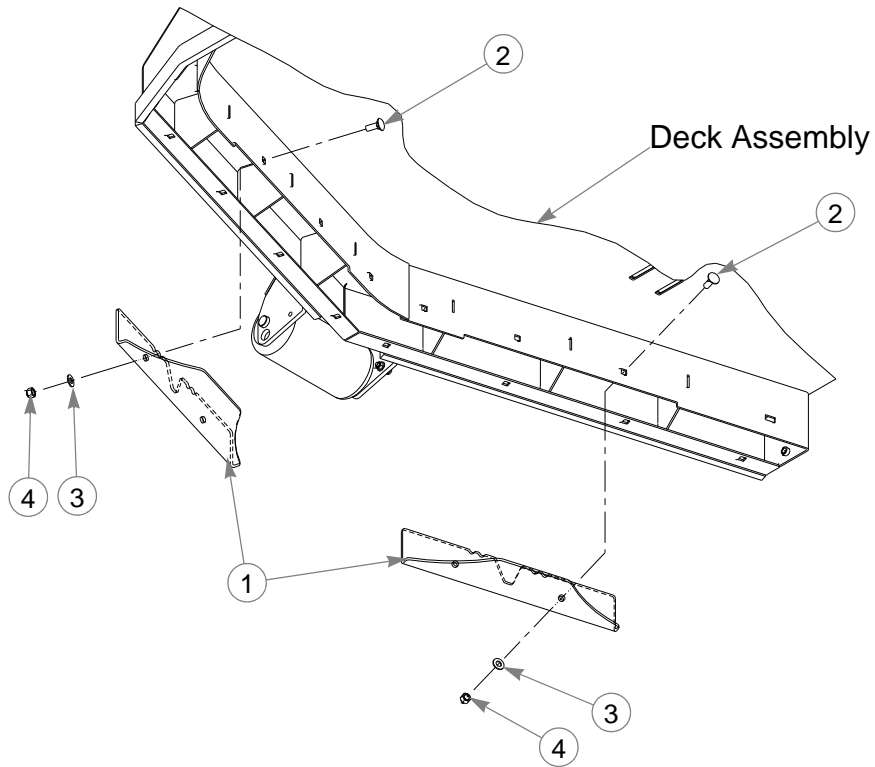


ITEM NO.	SERVICE PART NO.	MFG. PART NO.	QTY.	DESCRIPTION
1	109576	109576	1	LIFT ARM W/A LS (SHOWN)
	109410	109410	1	LIFT ARM W/A RS (NOT SHOWN)
2	601650	601650	1	VIBRATION MOUNT
3	767954	767954	1	FW .406X .812 X.060 SAE
4	086660	086660	1	NT .375-16 HXZY NL
5	705145	705145	1	CS .250-20X1.750 HX G5
6	768515	768515	2	FW .281X.625X.051/.080H
7	110186	110186	1	SPACER BUSHING
8	056333	056333	1	KNOB 1.00 ROUND.250-20
9	110695	110695	1	YOKE W/A
10	601689	601689	1	CE .250 X 1-15/16 W/BALE
11	601762	601762	1	LEAF CHAIN 4X4 5/8 PITCH
12	767962	767962	1	FW .531X 1.063X.090 SAE
13	601580	601580	1	COMPRESSION SPRING
14	110690	110690	1	HANGER RELEASE BRACKET W/A
15	601578	601578	1	RELEASE PIN
16	601579	601579	1	SPRING (ROLL) PIN
17	601770	601770	2	CONNECTING PIN W/HEAD
18	017228	017228	2	CP .062DX .500 LG HML Z

### NOTES:

1. Left side is shown; right side lift arm assembly is similar.

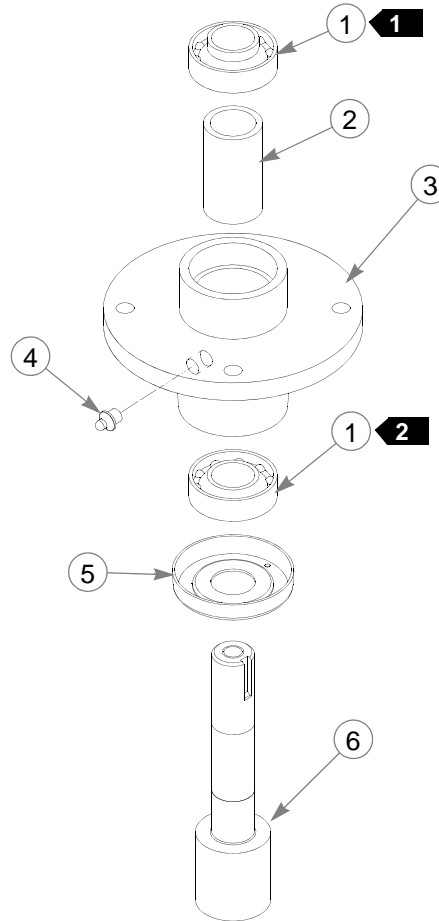
# Side Discharge Deck Adaptors



ITEM NO.	SERVICE PART NO.	MFG. PART NO.	QTY.	DESCRIPTION
1	108516	108516	2	AIR FLOW FLOOR (60" DECKS)
	108661	108661	2	AIR FLOW FLOOR (72" DECKS)
2	025395	025395	4	CB .375-16X 1.00 STD CD
3	767954	767954	4	FW .406X .812 X.060 SAE
4	086660	086660	4	NT .375-16 HXZY NL

## NOTES:

# Spindle Assembly—796235



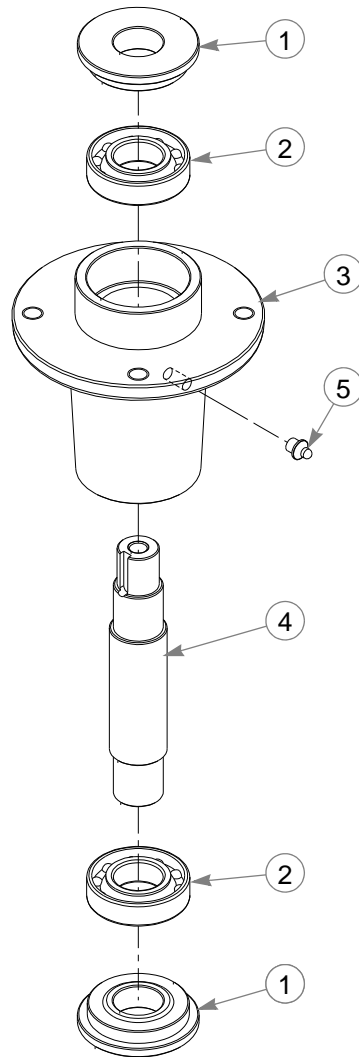
ITEM NO.	SERVICE PART NO.	MFG. PART NO.	QTY.	DESCRIPTION
1	077123	N/A	2	BEARING W/O COLLAR
2	766204	N/A	1	BLADE SPINDLE BUSHING
3	034843	N/A	1	CAST SPINDLE HOUSING
4	012005	N/A	1	GREASE FITTING
5	600893	N/A	1	BEARING DUST COVER
6	796227	N/A	1	SADDLELESS SPINDLE SHAFT

## NOTES:

1. Install upper bearing with extended inner race up.
2. Install lower bearing with extended inner race down.



# Spindle Assembly—601630



---

ITEM NO.	SERVICE PART NO.	MFG. PART NO.	QTY.	DESCRIPTION
1	601725	N/A	2	SPINDLE END CAP
2	601726	N/A	2	SPINDLE BEARING
3	601723	N/A	1	SPINDLE HOUSING
4	601724	N/A	1	SPINDLE SHAFT
5	012005	N/A	1	GREASE FITTING

---

## NOTES:

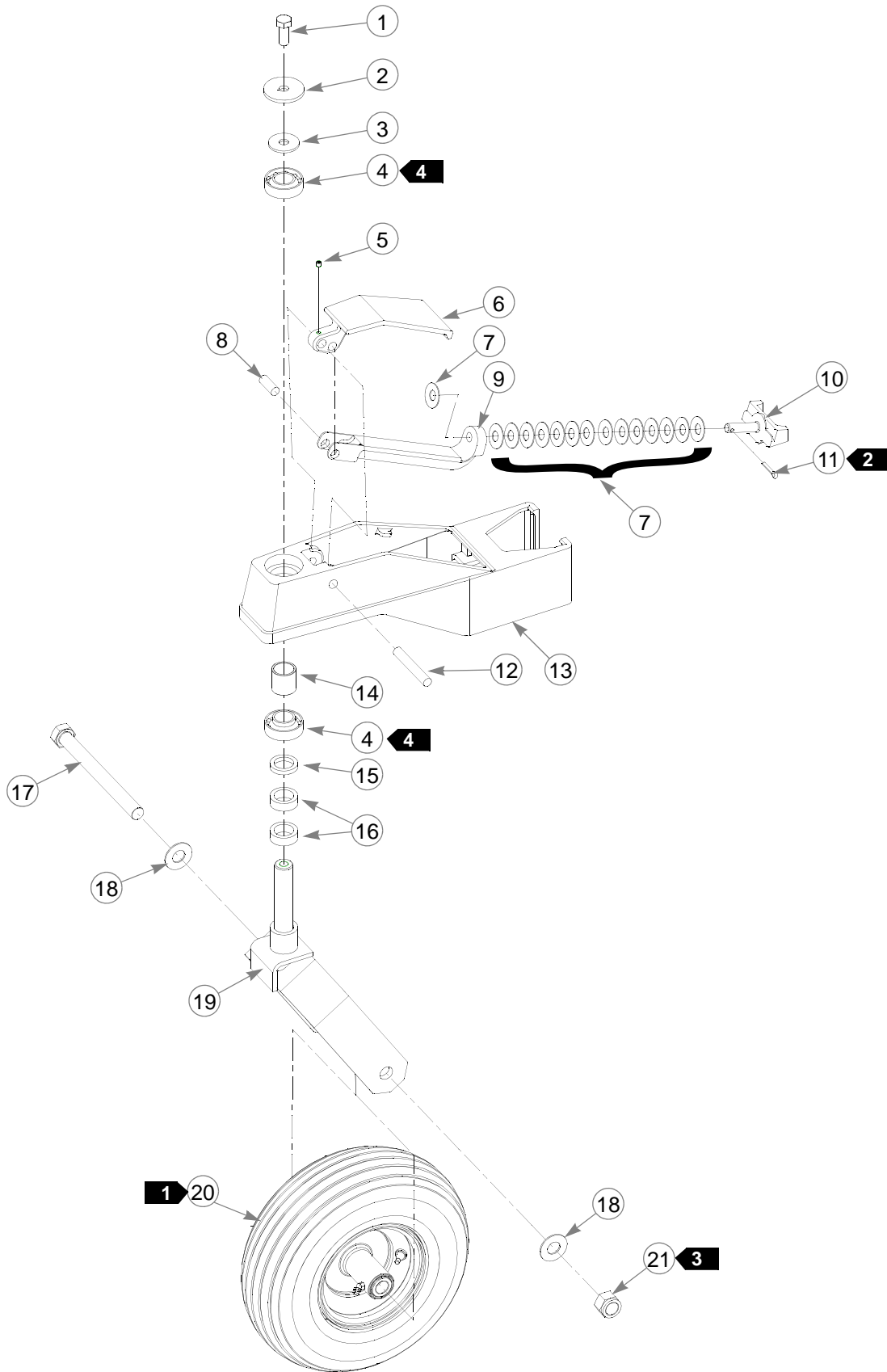


---

## Chapter 3 Contents

Gauge Arm Assembly—549196 . . . . .	3-2
Gauge Wheel Breakdown—786061 . . . . .	3-4

# Gauge Arm Assembly—549196



---

## **Gauge Arm Assembly—549196**

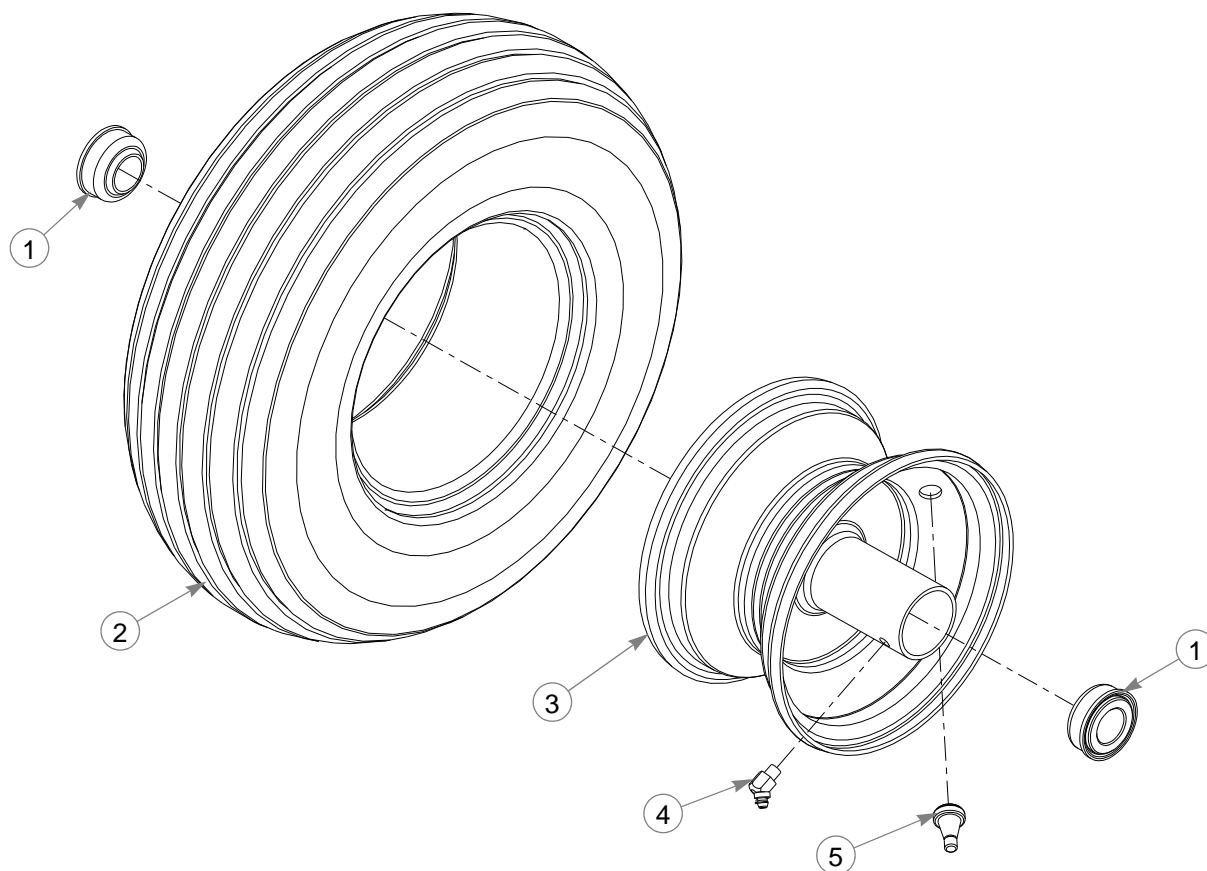
INDEX NO.	SERVICE PART NO.	MFG. PART NO.	QTY.	DESCRIPTION
1	705954	705954	1	CS .500-13X1.25 HX G5 Z
2	344267	344267	1	FW .510X 2.15X.187 SPL
3	798603	798603	1	FW .515X1.65X.125 HD ZY
4	784223	784223	2	BEARING
5	017350	017350	1	SS .250-20X .250 SH BO
6	466698	466698	1	HANDLE GAUGE WHEEL ARM
7	068759	068759	15	CW .560X 1.340X .05 PN
8	315234	315234	1	LINKAGE PIN
9	466680	466680	1	LOCK LINKAGE
10	466672	466672	1	LOCK PIN GAUGE WHEEL ARM
11	017277	017277	1	CP .187DX1.000 LG HML Z
12	315226	315226	1	HANDLE PIN
13	345652	345652	1	GAGE WHEEL ARM
14	310185	310185	1	SPACER 1.07X1.312X1.29
15	469924	469924	1	GAGE WHEEL SPACER 1/4"
16	469882	469882	2	GAGE WHEEL SPACER 1/2"
17	786731	786731	1	CS .750-10X8.00 HX GR5
18	025296	025296	2	FW .760X 1.625X.08 ZNYC
19	109478	109478	1	FORK W/A 13 X 5.0 TIRE
20	786061	786061	1	WHEEL/TIRE ASSY 13X5.00
21	061101	061101	1	NT .750-10 HXZY NL

---

### **NOTES:**

1. Apply grease to zerks.
2. Do not fully spread Item 11 (017277 Cotter Pin) for quicker adjustment of washers.
3. Tighten Item 21 (061101 Nut), then back off until wheel spins freely.
4. Assemble Item 4 (784223 Bearing) with inner races toward Item 14 (310185 Spacer).

## Gauge Wheel Breakdown—786061



INDEX NO.	SERVICE PART NO.	MFG. PART NO.	QTY.	DESCRIPTION
1	786103	786103	1	WHEEL BEARING
2	747402	747402	1	TIRE 13X5 SUPER GUIDE
3	786079	786079	1	WHEEL
4	015511	015511	1	GREASE FITTING 45 DEG 1
5	019521	019521	1	TIRE VALVE TR-412 GOODY

### NOTES:

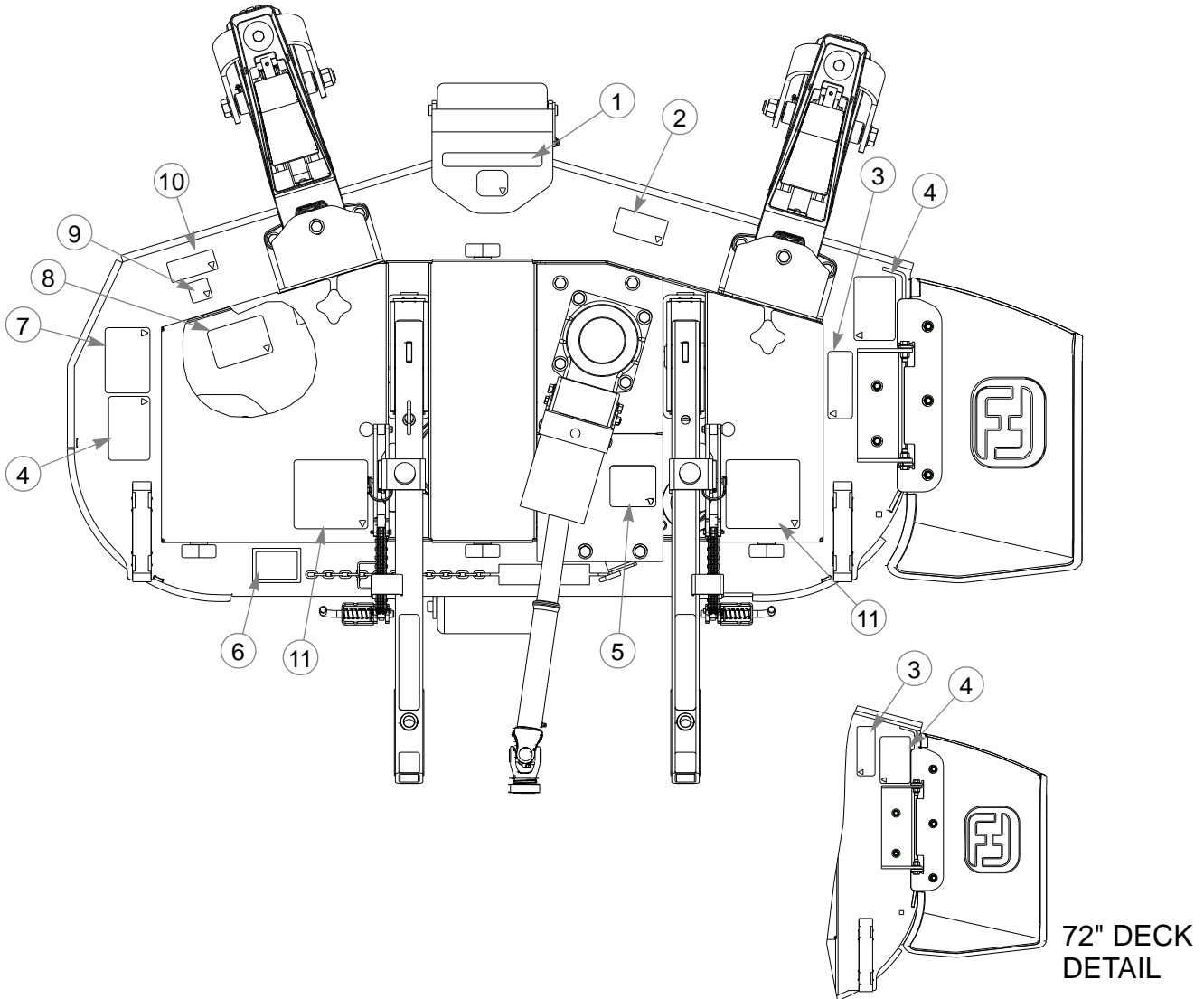
1. Inflate tire to 8-12 psi.

---

## Chapter 4 Contents

Deck Decals . . . . .	4-2
Belt Routing and Tensioning . . . . .	4-3

# Deck Decals

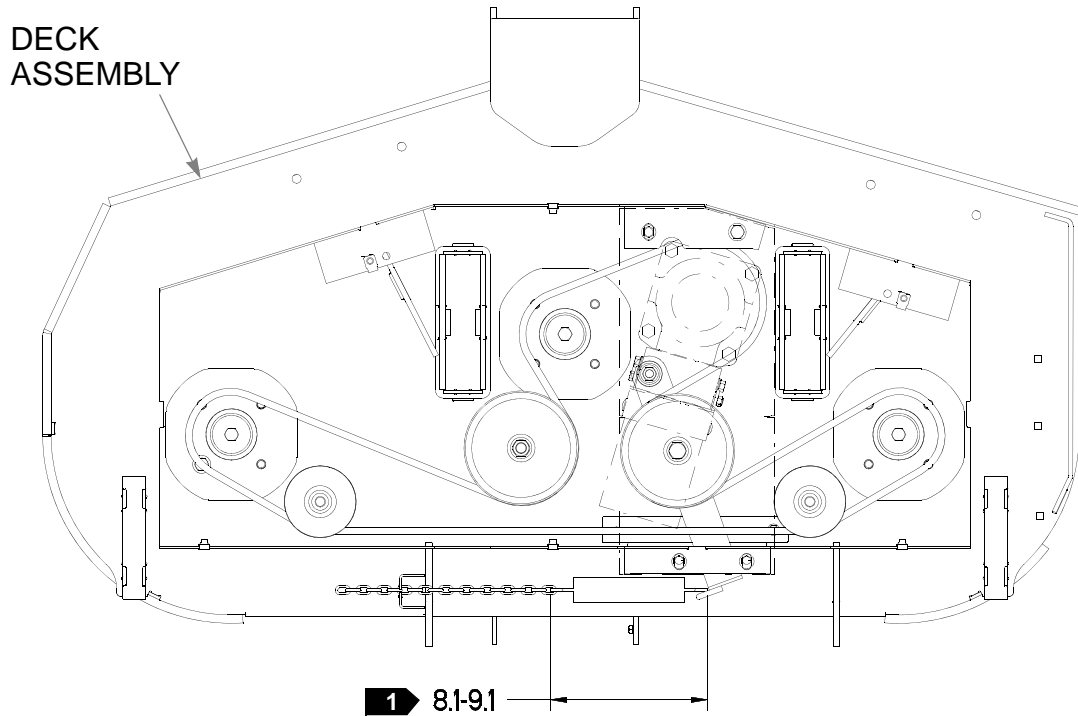


ITEM NO.	SERVICE PART NO.	MFG. PART NO.	QTY	DESCRIPTION
1	601649	601649	1	HUSTLER ID DECAL
2	786277	786277	1	60" DECK ID DECAL
	786285	786285	1	72" DECK ID DECAL
3	601624	601624	1	DISCHARGE CHUTE DECAL
4	601603	601603	2	DECK SAFETY DECAL
5	601623	601623	1	PTO DECAL
6	N/A	083279	1	SERIAL NO PLATE TURF
7	601625	601625	1	EYES, EARS, FEET DECAL
8	601594	601594	1	BELT ROUTING DECAL
9	727172	727172	1	'MADE IN U.S.A.' DECAL
10	797845	797845	1	FUSION DECAL
11	601728	601728	2	3500/3700 DECK HEIGHT DECAL



---

## **Belt Routing and Tensioning**



---

### **NOTES:**

1. Spring length after tensioning belt. Measure spring from outside of hook to outside of hook.
2. Route belt as shown.



---

**NOTES:**



# Numerical Index

Part No.	Page No.	Part No.	Page No.	Part No.	Page No.
<b>Index</b>					
<b>Part Numbers</b>					
008573	2-5, 2-7	109563	2-11	601623	4-2
012005	2-18, 2-19	109576	2-16	601624	4-2
015511	3-4	109591	2-3	601625	4-2
016154	2-3	109616	2-3	601630	2-5, 2-19
016527	2-3, 2-5, 2-7	109631	1-1	601641	2-9, 2-11
016642	2-5	109785	2-3	601643	2-9, 2-11
016972	2-5, 2-7	109795	2-9	601649	4-2
017228	2-15, 2-16	109798	2-5	601650	2-15, 2-16
017277	3-3	109799	2-5	601689	2-15, 2-16
017350	3-3	109800	2-5	601715	1-1, 2-5
017616	2-3, 2-11	109828	2-11	601723	2-19
019521	3-4	109829	2-9, 2-11	601724	2-19
023036	2-13, 2-14	109951	2-15	601725	2-19
025007	2-5, 2-7	109952	2-15	601726	2-19
025296	3-3	110186	2-15, 2-16	601728	4-2
025395	2-3, 2-5, 2-7, 2-17	110478	2-15	601762	2-15, 2-16
028118	2-5, 2-7	110524	2-9	601770	2-15, 2-16
029751	2-9, 2-11	110690	2-16	601781	2-5, 2-7
029934	2-7	110695	2-15, 2-16	705145	2-15, 2-16
034843	2-18	110761	2-5, 2-7	705954	2-3, 2-5, 2-7, 3-3
036715	2-5, 2-7, 2-9, 2-11	212472	2-5, 2-7	706168	2-9, 2-11
037887	2-9, 2-11	310185	3-3	710087	2-5, 2-7
042051	2-9, 2-11	315226	3-3	727172	4-2
052860	2-3	315234	3-3	746263	2-9, 2-11
056333	2-15, 2-16	344267	3-3	747402	3-4
058776	2-5, 2-7, 2-9, 2-11	345652	3-3	752386	2-5, 2-7
061101	3-3	373191	2-5, 2-7	766204	2-18
063578	2-13, 2-14	466631	2-3	766428	2-13, 2-14
068551	2-3	466672	3-3	767954	2-3, 2-5, 2-7, 2-9, 2-11, 2-15, 2-16, 2-17
068759	3-3	466680	3-3		
074252	2-5, 2-7	466698	3-3	767962	2-3, 2-5, 2-7, 2-9, 2-11, 2-13, 2-16
077123	2-18	467324	2-9, 2-11		
078949	2-9	469882	3-3	768515	2-3, 2-15, 2-16
079186	2-5, 2-7	469924	3-3	768523	2-5, 2-7
079202	2-9, 2-11	538850	2-5	770867	2-5, 2-7
083279	4-2	549196	2-3	781302	2-5, 2-7
084749	2-13, 2-14	549683	2-3	781385	2-5, 2-7
086660	2-3, 2-5, 2-7, 2-15, 2-16, 2-17	549691	2-3	781567	2-3, 2-5, 2-7, 2-9, 2-11
		549717	2-11		
103010	2-3	549725	2-9	781872	2-5, 2-7
108516	2-17	600893	2-18	782474	2-5, 2-7
108661	2-17	600994	2-9, 2-11	783738	2-5, 2-7
109322	2-3	601069	2-3	784223	3-3
109410	2-16	601512	2-5, 2-7	786061	3-3
109423	2-7	601536	2-3	786079	3-4
109424	2-7	601537	2-5, 2-7	786103	3-4
109425	2-7	601573	2-3	786277	4-2
109478	3-3	601578	2-13, 2-16	786285	4-2
109539	2-5, 2-7	601579	2-13, 2-16	786731	3-3
109549	2-5, 2-7	601580	2-13, 2-16	788364	2-5, 2-7
109562	2-9	601594	4-2	791988	1-1, 2-7
		601603	4-2		

<b>Part No.</b>	<b>Page No.</b>	<b>Part No.</b>	<b>Page No.</b>	<b>Part No.</b>	<b>Page No.</b>
792002	2-5, 2-7	797845	4-2	798967	2-7
794685	1-1, 2-7	798603	2-5, 2-7, 3-3	808493	2-3
796227	2-18	798694	2-3	928721	1-1
796235	2-7, 2-18	798702	1-1, 2-5	928739	1-1