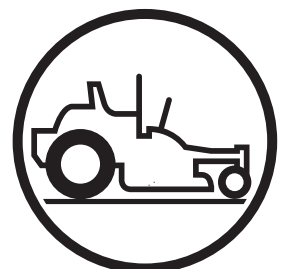


Operator's manual  
Z3815BIA/968999282, Z3815BIA/968999360,  
Z4217BIA/968999280, Z4218KOA/968999281,  
Z4218KOA/968999359

Please read the operator's manual carefully and make  
sure you understand the instructions before using the



English



---

# OPERATOR'S MANUAL

---

## RIDER

## Z SERIES

### Contents

<b>Contents</b> .....	<b>1</b>	Moving by Hand .....	32
<b>Introduction</b> .....	<b>3</b>	<b>Maintenance</b> .....	<b>33</b>
Congratulations .....	3	Maintenance Schedule.....	33
General .....	3	Battery .....	35
Driving and Transport on Public Roads .....	3	Ignition System.....	36
Towing .....	3	Checking the Safety System .....	37
Operating .....	3	Checking the Engine's Cooling Air Intake .....	38
Good Service .....	4	Checking and Adjusting the Throttle Cable.....	38
Manufacturing Number .....	4	Replacing the Air Filter.....	39
<b>Symbols and Decals</b> .....	<b>5</b>	Replacing the Fuel Filter .....	42
<b>Safety Instructions</b> .....	<b>7</b>	Checking Tire Pressures.....	42
General Use .....	7	Checking the Parking Brake.....	42
Driving on Slopes.....	9	Checking the V-belts .....	43
Children.....	10	Deck belt .....	43
Utility Box .....	10	EZT belt.....	45
Maintenance .....	11	Checking the Blades .....	46
Transport.....	13	Adjusting the Mower Deck .....	47
Customer responsibilities.....	14	Cleaning and Washing .....	51
<b>Controls</b> .....	<b>15</b>	Caster Wheels.....	51
Control Locations .....	15	Hardware.....	51
1. Motion Control Levers.....	16	<b>Lubrication</b> .....	<b>52</b>
2. Seat adjustment knobs .....	17	Lubrication Schedule.....	52
3. Fuses .....	17	General .....	52
4. By pass linkages .....	18	Lubricating the Cables .....	53
5. Refueling .....	19	Lubricating in Accordance with the Lubrication	
6. Blade switch.....	19	Schedule .....	53
7. Ignition Switch.....	20	<b>Trouble Shooting Guide</b> .....	<b>58</b>
8. Choke Control .....	20	<b>Storage</b> .....	<b>61</b>
9. Throttle Control .....	20	Winter Storage .....	61
10. Hour Meter .....	21	Service .....	61
11. Parking Brake .....	21	<b>Wiring diagram</b> .....	<b>62</b>
12. Cutting height pedal .....	22	<b>Technical Data</b> .....	<b>63</b>
Accessories.....	22	Accessories.....	65
<b>Operation</b> .....	<b>23</b>	Torque Specifications.....	65
Training .....	23	<b>Conformity Certificates</b> .....	<b>66</b>
Before Starting .....	24	USA requirements.....	66
Starting the Engine .....	24	<b>Service Journal</b> .....	<b>67</b>
To start an engine with a weak battery .....	27	Delivery Service .....	67
Running.....	28	After the First 5-8 Hours.....	68
Operating on hills.....	29	25-Hour Service .....	69
Mowing Tips.....	30	50-Hour Service .....	70
Stopping the Engine.....	31	100-Hour Service .....	71
		300-Hour Service .....	72
		At Least Once Each Year.....	73



**WARNING!**

Failure to follow cautious operating practices can result in serious injury to the operator or other persons. The owner must understand these instructions, and must allow only trained persons who understand these instructions to operate the mower. Each person operating the mower must be of sound mind and body and must not be under the influence of any mind altering substance.



**WARNING!**

Engine exhaust, some of its constituents, and certain vehicle componets contain or emit chemicals known to the State of California to cause cancer and birth defects or other reproductive harm.



**WARNING!**

Battery posts, terminals and related accessories contain lead and lead compounds, chemicals known to the State of California to cause cancer and birth defects or other reproductive harm. Wash hands after handling.

---

# INTRODUCTION

---

## Introduction

### Congratulations

Thank you for purchasing a Husqvarna ride-on mower. This machine is built for the greatest efficiency and rapid mowing primarily of large areas. Controls in one place and a hydrostatic transmission regulated by steering controls also contribute to the machine's performance.

This manual is a valuable document. Following the instructions (use, service, maintenance, etc.) can considerably increase the lifespan of your machine and even increase its resale value.

If you sell your machine, be sure to give the operator's manual to the new owner.

The final chapter of this operator's manual comprises a Service Journal. Ensure that service and repair work is documented. A well kept service journal reduces service costs for the season-based maintenance and affects the machine's resale value. Take the operator's manual along when the machine is left to the workshop for service.

### General

In this operator's manual, left and right, backward and forward are used in relation to the machine's normal driving direction.

Continuous dedication to improve our products require that specifications and design are subject to change without notice.

### Driving and Transport on Public Roads

Check applicable road traffic regulations before driving or transporting on public roads. If the machine is transported, you must always use approved fastening equipment and ensure that the machine is well anchored.

### Towing

Do not tow this machine, it may cause damage to the drive system.

Do not tow any trailers, etc with this mower. They may jackknife or overturn causing damage to the mower and possibly serious injury to the operator.

### Operating

This machine is constructed only for mowing grass on lawns and other free and even ground without obstacles such as stones, tree stubs, etc. The machine can also be used for other tasks when equipped with special accessories provided by the manufacturer, for which the operating instructions are provided in conjunction with delivery. All other types of use are incorrect. The manufacturer's directions concerning operation, maintenance, and repairs must be carefully followed.

Lawnmowers and all power equipment, can be potentially dangerous if used improperly. Safety requires good judgement, careful use in accordance with these instructions and common sense.

The machine must only be operated, maintained, and repaired by persons that are familiar with the machine's special characteristics and who are well versed in the safety instructions.

Accident prevention regulations, other general safety regulations, occupational safety rules, and traffic regulations must be followed without fail.

Unauthorized modifications to the design of the machine may absolve the manufacturer from liability for any resulting personal injury or property damage.

---

# INTRODUCTION

---

## Good Service

Husqvarna's products are sold all over the world and only in specialized retail stores with complete service. This ensures that you as a customer receive only the best support and service. Before the product is delivered, the machine has, for example, been inspected and adjusted by your retailer, see the certificate in the Service Journal in this operator's manual.

When you need spare parts or support in service questions, warranty issues, etc., please consult the following professional:

This Operator's Manual belongs to the machine with manufacturing number:	Engine	Transmission

## Manufacturing Number

The machine's manufacturing number can be found on the printed plate affixed to the left in the engine compartment. Stated on the plate, from the top are:

- The machine's type designation (I.D.).
- The manufacturer's type number (Model).
- The machine's serial number (Serial no.)

Please state the type designation and serial number when ordering spare parts.

The engine's manufacturing number is stamped on the valve cover:

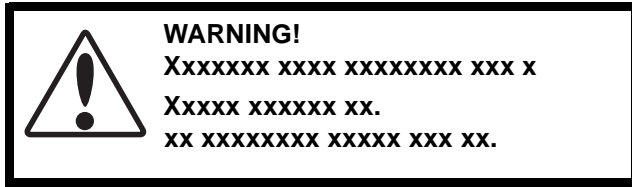
- The engine's model.
- The engine's type designation.
- Code

Please state these when ordering spare parts.

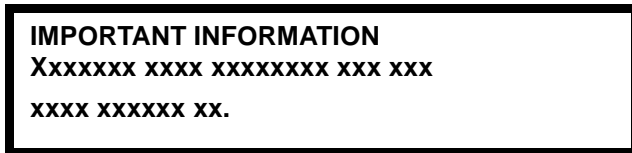
# SYMBOLS AND DECALS

## Symbols and Decals

These symbols are found on the machine and in the operator's manual. Study them carefully so that you know what they mean.



Used in this publication to notify the reader of a risk of **personal injury**, particularly if the reader should neglect to follow instructions given in the manual.



Used in this publication to notify the reader of a risk of **material damage**, particularly if the reader should neglect to follow instructions given in the manual. Used also when there is a potential for misuse or misassembly.



Reverse



Neutral



Fast



Slow



Choke



Fuel



Warning!



Parking brake



CE conformity marking. Only for European market



Warning! Rotating blades, keep away from the discharge deck



Do not touch rotating parts



Battery acid is corrosive, explosive, and flammable



Do not stand here



Noise emissions to the surroundings in accordance with the European Union's directive. The machine's emission is stated in the chapter TECHNICAL DATA and on the decals.



Use protective glasses



Use protective gloves

Only machines for European market

# SYMBOLS AND DECALS

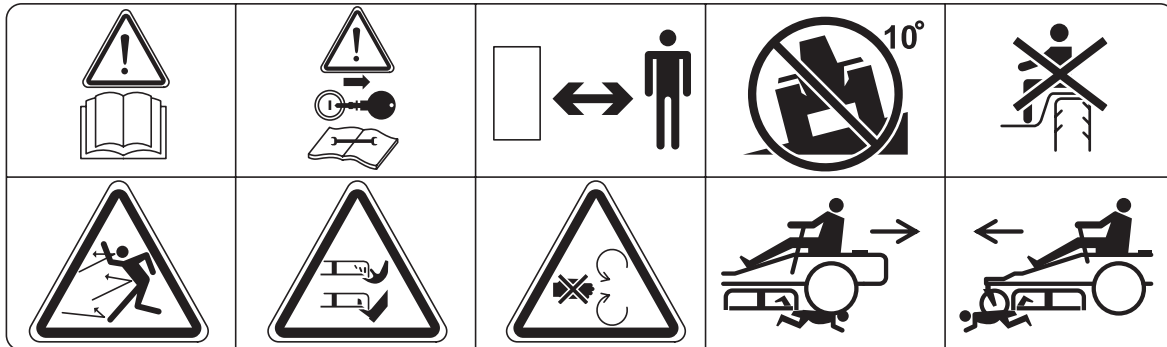
Read  
Operators  
Manual

Shut off engine  
& remove key  
before  
performing any  
maintenance or  
repair work.

Keep a safe  
distance from  
the machine.

Use on  
slopes no  
greater  
than 10°.

No  
passengers



Whole  
body  
exposure  
to thrown  
objects.

Severing  
of fingers  
& toes.

Do not open  
or remove  
safety  
shields while  
engine is  
running.

Careful  
backing up,  
watch for  
other people.

Careful going  
forward,  
watch for  
other people.



Moving sharp blades  
under cover



# SAFETY INSTRUCTIONS

## Safety Instructions

These instructions are for your safety. Read them carefully.

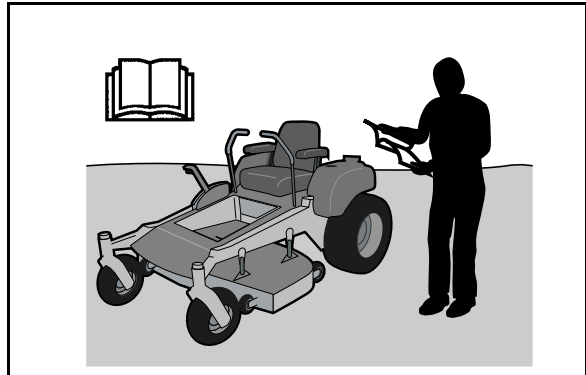


### WARNING!

This symbol means that important safety instructions need to be emphasized. It concerns your safety.

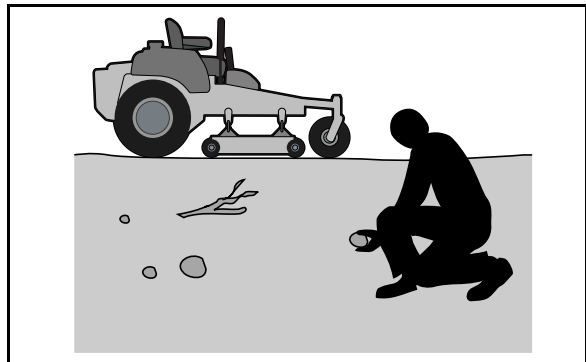
### General Use

- Read all instructions in this operator's manual and on the machine before starting it. Ensure that you understand them and then abide by them.
- Learn how to use the machine and its controls safely and learn how to stop quickly. Also learn to recognize the safety decals.
- Only allow the machine to be used by adults who are familiar with its use.
- Make sure nobody else is in the vicinity of the machine when you start the engine, engage the drive, or run the machine.
- Make sure animals and people maintain a safe distance from the machine.
- Stop the machine if someone enters the work area.
- Clear the area of objects such as stones, toys, steel wire, etc. that may become caught in the blades and thrown out.
- Beware of the discharge deck and do not point it at any one. Do not use the machine without the discharge deck in place.
- Stop the engine and prevent it from starting before you clean the discharge deck.
- Remember that the operator is responsible for dangers or accidents.
- Never take passengers. The machine is only intended for use by one person.
- Always look down and behind before and during reversing maneuvers. Keep a look out for both large and small obstacles.
- Slow down before turning.
- Shut down the blades when not mowing.



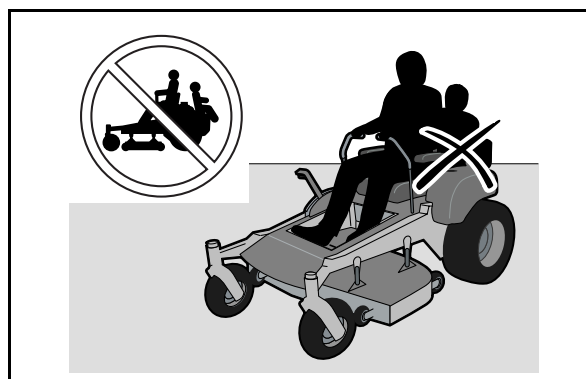
8011-512

*Read the operator's manual before starting the machine*



8011-513

*Clear the area of objects before mowing*



8011-520

*Never take passengers*

# SAFETY INSTRUCTIONS

- Be careful when mowing around fixed objects, so that the blades do not hit them. Never drive over foreign objects.
- Only use the machine in daylight or in other well-lit conditions. Keep the machine a safe distance from holes or other irregularities in the ground. Pay attention to other possible risks.
- Never use the machine if you are tired, if you have consumed alcohol, or if you are taking other drugs or medication that can affect your vision, judgment, or coordination.
- Beware of traffic when working near or crossing a road.
- Never leave the machine unsupervised with the engine running. Always shut down the blades, pull back the parking brake, stop the engine, and remove the ignition key before leaving the machine.
- Never allow children or other persons not trained in the use of the machine to use or service it. Local laws may regulate the age of the user.



## WARNING!

Engine exhaust and certain vehicle components contain or emit chemicals considered to cause cancer, birth defects, or other reproductive system damage. The engine exhaust contains carbon monoxide, which is a colorless, poisonous gas. Do not use the machine in enclosed spaces.



8011-518

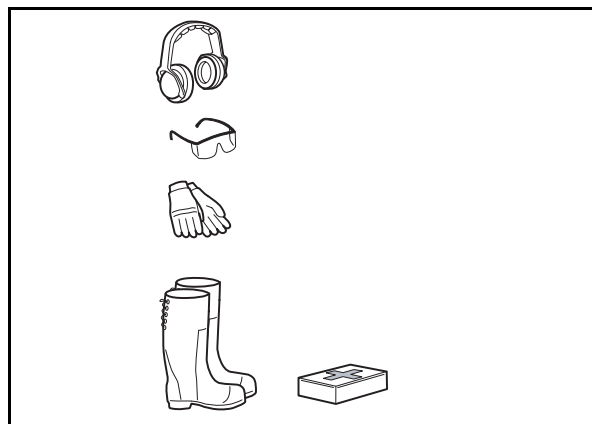
*Keep children away from the work area*



## WARNING!

When using the machine, approved personal protective equipment shall be used. Personal protective equipment cannot eliminate the risk of injury but it will reduce the degree of injury if an accident does happen. Ask your retailer for help in choosing the right equipment.

- Make sure that you have first aid equipment close at hand when using the machine.
- Never use the machine when barefoot. Always wear protective shoes or boots, preferably with steel toecaps.
- Always wear approved protective glasses or a full visor when assembling or driving.
- Always wear gloves when handling the blades.
- Never wear loose clothing that can get caught in moving parts.
- Use ear protectors to avoid damage to hearing.



8011-670

*Personal protective equipment*

# SAFETY INSTRUCTIONS

## Driving on Slopes

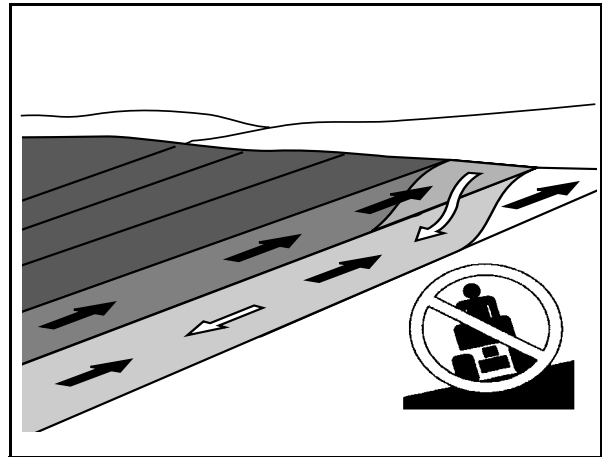
Driving on slopes is one of the operations where the risk is greatest that the driver will lose control or the machine will tip over, which can result in serious injury or death. All slopes require extra caution. If you cannot reverse up a slope or if you feel unsure, do not mow the slope.

### Do as follows

- Remove obstacles such as stones, tree branches, etc.
- Watch out for and avoid driving over furrows, holes, and bumps. On uneven terrain, the machine can tip more easily. Long grass can hide obstacles.
- Mow up and down, not side-to-side.
- Drive evenly and slowly. Use small movements of the steering controls.
- Be extra cautious with any additional equipment, which can alter the machine's stability.
- If the machine stops while going uphill, disengage blades and back down slowly.

### Do not

- **Do not** make sudden changes in speed or direction.
- **Do not** drive the mower on terrain that slopes more than 10°.
- **Do not** mow near verges, ditches, or banks. The machine can suddenly spin around if a wheel goes over the edge of a drop or ditch, or if an edge gives way.
- **Do not** mow wet grass. It is slippery, and the tires can lose their grip, so that the machine slides.
- **Do not** try to stabilize the machine by putting a foot on the ground.
- **Do not** drive near verges or ditches when cleaning the machine.
- **Do not** turn on slopes unless necessary, and then, turn slowly and gradually downhill, if possible.
- **Avoid** starting or stopping on a slope. If the tires begin to slip, shut down the blades and drive slowly straight down the slope.



6003-004

*Mow up and down, not side-to-side*



8011-519

*Be extra cautious when driving on slopes*

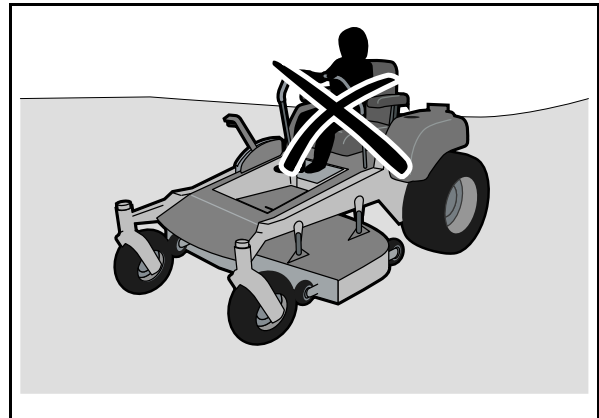
---

# SAFETY INSTRUCTIONS

---

## Children

- Serious accidents may occur if you fail to be on guard for children in the vicinity of the machine. Children are often attracted to the machine and mowing work. Never assume that children will stay put where you last saw them.
- Keep children away from the mowing area and under close supervision by another adult.
- Keep an eye out and shut off the machine if children enter the work area.
- Before and during a reversing maneuver, look backward and downward for small children.
- Never allow a child to ride with you. They can fall off and injure themselves seriously or prevent risk-free maneuvering of the machine.
- Never allow children to operate the machine.
- Be particularly cautious near corners, bushes, trees, or other objects that block your view.



8011-517

*Never allow children to operate the machine*

## Utility Box

- **Never** carry passengers.
- **Never** haul fuel or other flammables.
- Maximum payload of 50 lbs (23 kg).
- Make sure to secure loads to prevent shifting.
- **Never** carry a load that can not be properly contained and controlled within the box.

# SAFETY INSTRUCTIONS

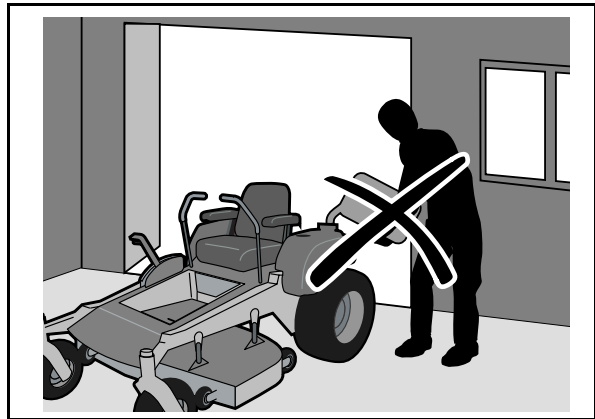
## Maintenance



### WARNING!

The engine must not be started when the driver's floor plate or any protective plate for the mower deck's drive belt is removed.

- Stop the engine. Prevent the engine from starting by removing the spark plug cables from the spark plugs or by removing the ignition key before making any adjustments or performing maintenance.
- Never fill the fuel tank indoors.
- Fuel and fuel fumes are poisonous and extremely flammable. Be especially cautious when handling fuel, as carelessness can result in personal injury or fire.
- Only store fuel in containers approved for the purpose.
- Never remove the fuel tank cap and never fill the fuel tank while the engine is running.
- Allow the engine to cool before refueling. Do not smoke. Do not fill fuel in the vicinity of sparks or open flames.
- If leaks arise in the fuel system, the engine must not be started until the problem has been resolved.
- Store the machine and fuel in such a way that there is no risk of leaking fuel or fuel vapor leading to damages.
- Check the fuel level before each use and leave space for the fuel to expand, because the heat from the engine and the sun may otherwise cause the fuel to expand and overflow.
- Avoid overfilling. If you spill fuel on the machine, wipe up the spill and wait until it has evaporated before starting the engine. If you have spilled fuel on your clothing, change your clothing.
- Allow the machine to cool before taking any actions in the engine compartment.
- Be very careful when handling battery acid. Acid on skin can cause serious corrosive burns. If you spill battery acid on your skin, rinse immediately with water.



8011-516

*Never fill the fuel tank indoors*



### WARNING!

The engine and the exhaust system, become very warm during operation. Risk for burns if touched.



Always use protective glasses when handling the battery.




### WARNING!

The battery contains lead and lead compounds, chemicals that are considered to cause cancer, birth defects, and other reproductive system damage. Wash your hands after touching the battery.

# SAFETY INSTRUCTIONS

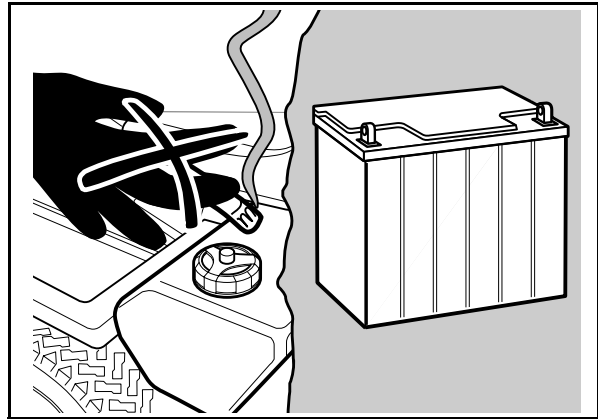
- Acid in the eyes can cause blindness, contact a doctor immediately.
- Be careful when servicing the battery. Explosive gases form in the battery. Never perform maintenance on the battery when smoking or near open flames or sparks. The battery can explode and cause serious injury/damage.
- Ensure that nuts and bolts, especially the fastening bolts for the blade attachments, are properly tightened, torqued and that the equipment is in good condition.
- Do not modify safety equipment. Check regularly to be sure it works properly. The machine must not be driven with defective or unmounted protective plates, protective cowlings, safety switches, or other protective devices.
- Do not change the settings of governors and avoid running the engine with overly high engine speeds. If you run the engine too fast, you risk damaging the machine components.
- Sparking can occur when working with the battery and the heavy cables of the starter circuit. This can cause battery explosion, fire or eye injury. Sparking in this circuit can not occur after the chassis cable (normally negative, black) is removed from the battery.



**WARNING!**  
**Avoid electrical sparking and its consequences by the following routines:**

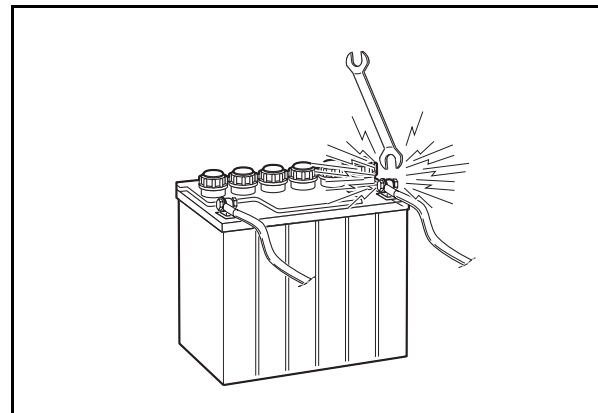
Use protective goggles.  
Ensure that the fuel filler cap is mounted and no flammable substances is stored in an open vessel.  
Never work with the starter circuit if there is spilled fuel.  
Disconnect the chassis cable from the battery first and reconnect it last.  
Do not make a bridge short circuit across the starter relay to run the starter.

- Never use the machine indoors or in spaces lacking proper ventilation. The exhaust fumes contain carbon monoxide, an odorless, poisonous, and lethal gas.



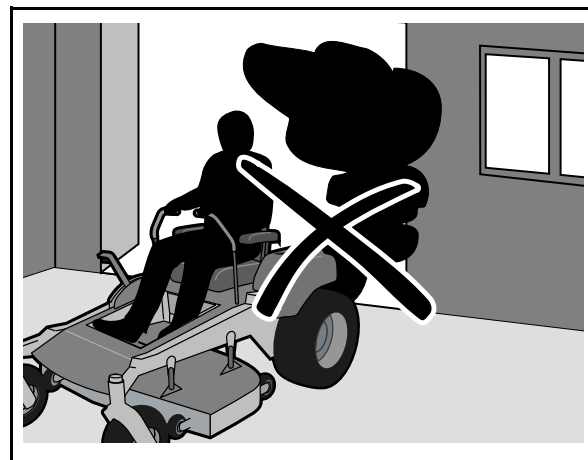
6003-009

*Do not smoke when performing maintenance on the battery. The battery can explode and cause serious injury/damage*



8009-728

*Risk of sparking*



8011-515

*Never drive the machine in an enclosed space*

# SAFETY INSTRUCTIONS

- Stop and inspect the equipment if you run over or into anything. If necessary, make repairs before starting.
- Never make adjustments with the engine running.
- The machine is tested and approved only with the equipment originally provided or recommended by the manufacturer.
- The blades are sharp and can cause cuts and gashes. Wrap the blades or use protective gloves when handling them.
- Check the parking brake's functionality regularly. Adjust and service as necessary.
- The mulch blades should only be used in familiar areas when higher quality mowing is desired .
- Reduce the risk of fire by removing grass, leaves, and other debris that may have accumulated on the machine. Allow the machine to cool before putting it in storage.



8011-644

*Clean the machine regularly*

## Transport

- The machine is heavy and can cause serious crushing injuries. Be extra cautious when it is loaded on or unloaded from a vehicle or trailer.
- Use an approved trailer to transport the machine. Activate the parking brake, turn off the fuel supply, and fasten the machine with approved fastening devices, such as bands, chains, or ropes, when transporting.
- Check and abide by local traffic regulations before transporting or driving the machine on any road.
- Do not tow this machine, it may cause damage to the drive system.
- Do not tow any trailers, etc with this mower. They may jackknife or overturn causing damage to the mower and possibly serious injury to the operator.

### IMPORTANT INFORMATION

**The parking brake is not sufficient to lock the machine in place during transport. Ensure that the machine is well fastened to the transport vehicle. Always reverse the machine onto the transport vehicle to avoid tipping it over.**

---

# SAFETY INSTRUCTIONS

---

## Customer responsibilities

- Read and observe the safety rules.
- Follow a regular schedule in maintaining, caring for and using your mower.
- Follow the instructions under "Maintenance" and "Storage" sections of this owner's manual.



### **WARNING!**

**This mower is equipped with an internal combustion engine and should not be used on or near any unimproved forest-covered, bush-covered or grass-covered land unless the engine's exhaust system is equipped with a spark arrester meeting applicable local or state laws (if any). If a spark arrester is used, it should be maintained in effective working order by the operator.**

A spark arrester for the muffler is available through your authorized Husqvarna dealer.

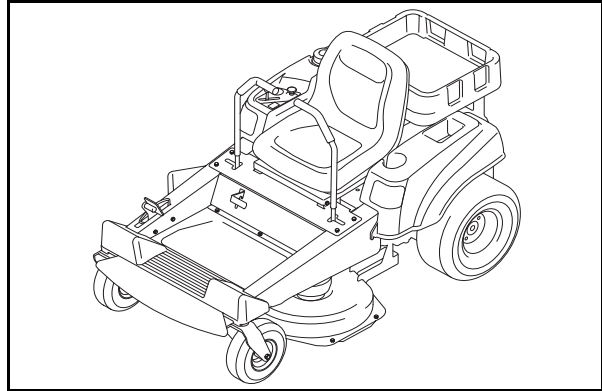


# CONTROLS

## Controls

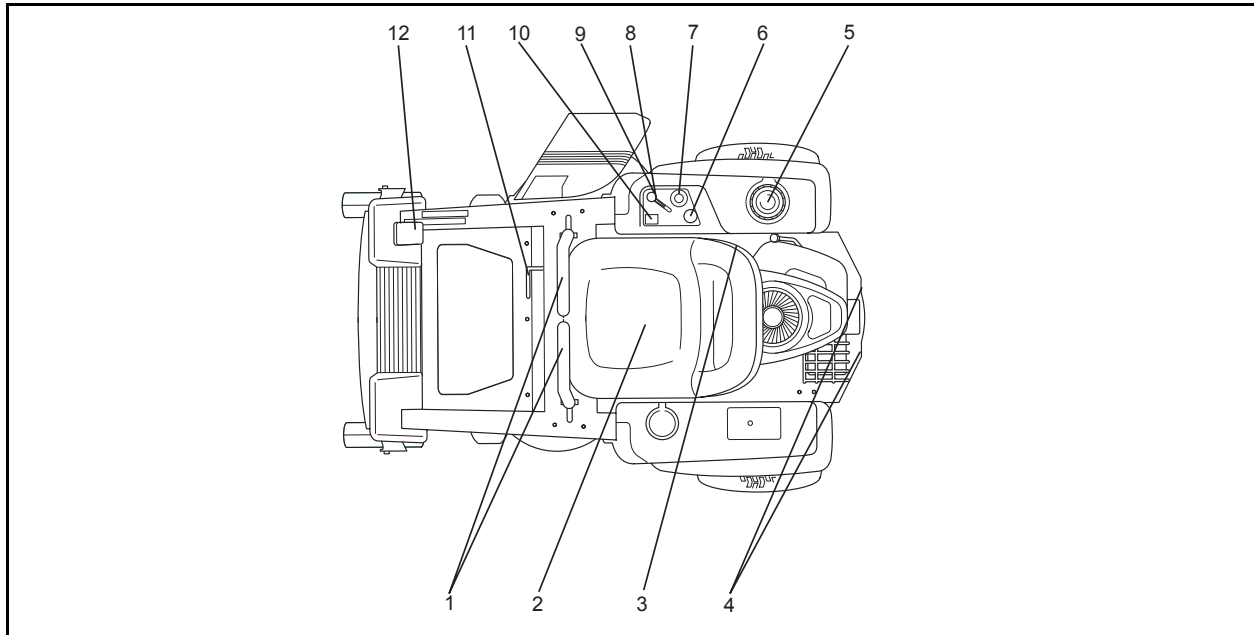
This operator's manual describes the Husqvarna Zero Turn Rider. The rider is fitted with a Briggs and Stratton or Kohler four-stroke engine developing 15-18 horse power.

Transmission from the engine is made via two belt-driven hydraulic gears one for each drive wheel. Using the left and right steering controls, the flow is regulated and thereby the direction and speed.



8011-648

Zero Turn Rider



8011-735

Locations of the controls

## Control Locations

	Page		Page
1. Motion control, levers	16	8. Choke control	20
2. Seat adjustment knobs	17	9. Throttle control	20
3. Fuses	17	10. Hour meter	21
4. By-pass linkages	18	11. Parking brake	21
5. Fuel tank cap	19	12. Cutting height pedal	22
6. Blade switch	19		
7. Ignition switch	20		

# CONTROLS

## 1. Motion Control Levers

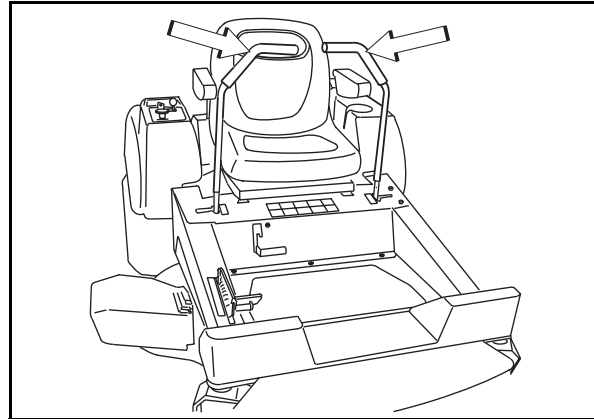
The machine's speed and direction are continuously variable using the two steering controls. The steering controls can be moved forward or backward about a neutral position. Furthermore, there is a neutral position, which is locked if the steering controls are moved outward.

When both controls are in the neutral position (N), the machine stands still.

By moving both controls an equal amount forward or backward, the machine moves in a straight line forward or backward respectively.

In order, for example, to turn right while moving forward, move the right control towards the neutral position. The rotation of the right wheel is reduced and the machine turns to the right.

Zero turn can be achieved by moving one control backward (behind the neutral position) and carefully moving the other steering control forward from its neutral position. The rotation direction when zero turning is determined by which steering control is moved backward behind the neutral position. If the left steering control is pulled backward, the machine turns to the left. Use extra care when using this manoeuver.



8011-751

*Motion control levers*

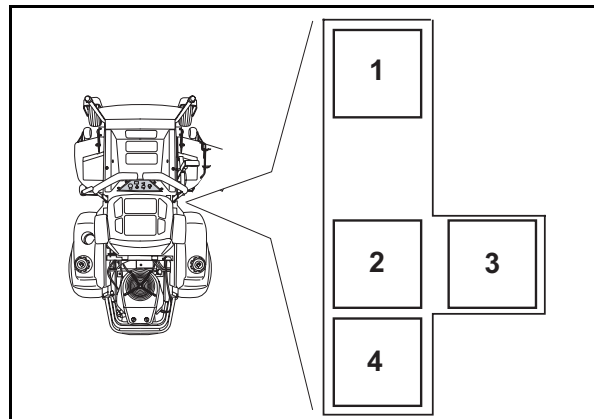


### **WARNING!**

**The machine can turn very rapidly if one steering control is moved much further forward than the other.**

## Tracking

If the mower is not tracking straight, check the air pressure in both rear tires. Recommended air pressure is 15 psi (1 bar). Tracking must be checked on a flat and level concrete or blacktop surface. If unit still does not track straight, contact a Husqvarna workshop for adjustment.



8011-791

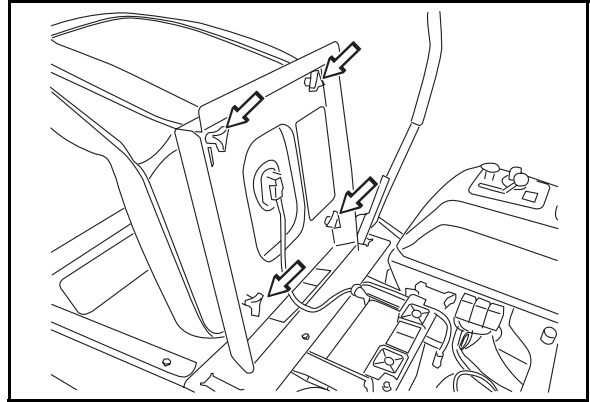
- 1 Forward
- 2 Neutral
- 3 Neutral slot, Neutral lock
- 4 Reverse

*Motion control lever pattern (right side)*

# CONTROLS

## 2. Seat adjustment knobs

The seat can be adjusted lengthways. When making adjustments, loosen the four knobs under the seat pan, after which the seat can be moved backward or forward. Do not forget to tighten the knobs.



CZ-1

*Lengthways adjustment*

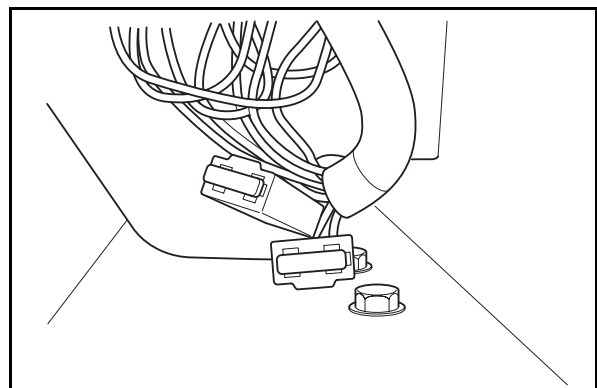
## 3. Fuses

The fuses are located in the right front corner of the engine compartment. They are flat pin fuses of the same type used in automobiles.

There are two fuses.

Fuse ratings and functions:

- 20 A, Primary fuse.
- 7.5 A, Mower deck coupling.



8011-483

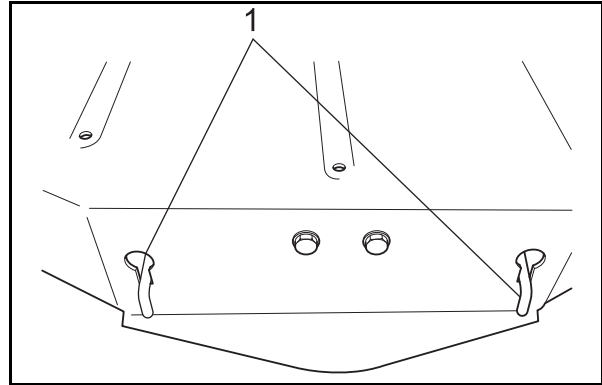
*Fuses*

# CONTROLS

## 4. By pass linkages

When pushing or pulling the mower, be sure to engage the IZT (Integrated Zeroturn Transaxle) bypass linkages. The IZT bypass linkages are located on the rear of the frame, below the rear engine guard.

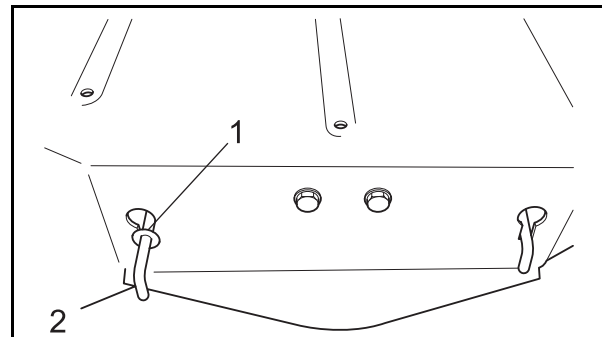
- Raise the deck into the highest cutting position.
- Pull the IZT bypass linkages out and into the slots and release so that it is held in the bypass position.
- To reengage the IZT's to drive, reverse the above procedure.



8011-721

1. IZT Bypass linkage

*Bypass linkages*



8011-722

1. Head outside of rear deck

2. IZT Bypass linkage in bypass position

*Bypass position*

# CONTROLS

## 5. Refueling

The machine has one fuel tank, just behind the seat. The tank takes 3 gallons (11.4 liters).

The engine will run on a minimum of 85-octane unleaded gasoline (no oil mix). Environmentally adapted alkylate gasoline can be used beneficially. See also Technical Data concerning ethanol fuel. Methanol fuel is not allowed.



**WARNING!**  
Gasoline is highly flammable. Observe caution and fill the tank outdoors (see the safety rules).

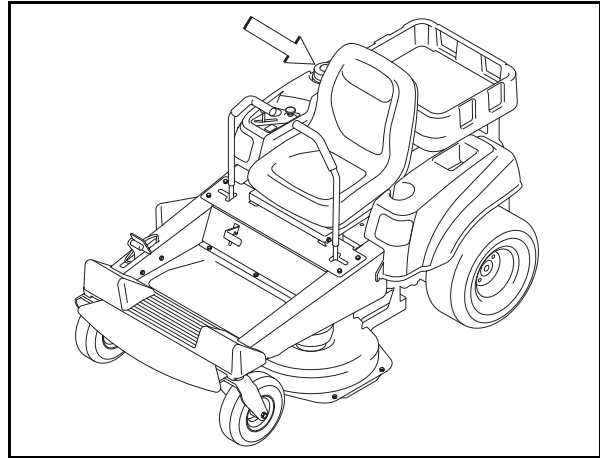


**WARNING!**  
Fill to bottom of filler neck. Do not overfill. Wipe off any spilled oil or fuel. Do not store, spill or use gasoline near an open flame.

When operating in temperatures below 32° F. (0° C.), use fresh, clean winter grade gasoline to help insure good cold weather starting.

## 6. Blade switch

In order to engage the mower deck, pull the knob out; the mower blades are disengaged when the knob is depressed.

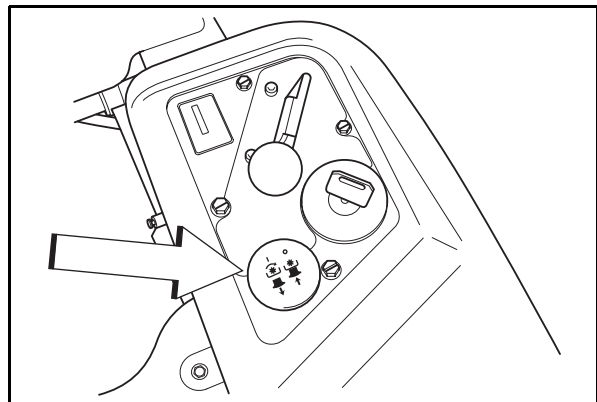


8011-752

Fuel tank

### IMPORTANT INFORMATION

Experience indicates that alcohol blended fuels (called gasohol, ethanol or methanol) can attract moisture which leads to separation and formation of acids during storage. Acidic gas can damage the fuel system of an engine while in storage. To avoid engine problems, the fuel system should be emptied before storage of 30 days or longer. Drain the gas tank, start the engine and let it run until the fuel lines and carburetor are empty. Use fresh fuel the next season. See Storage Instructions for additional information. Never use engine or carburetor cleaners in the fuel tank or permanent damage may occur.



8011-750

Blade Switch

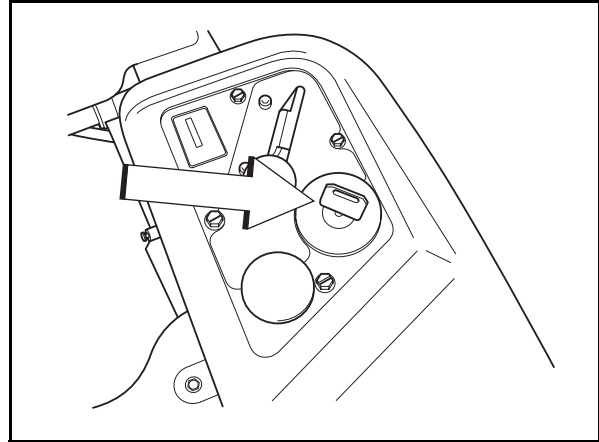
# CONTROLS

## 7. Ignition Switch

The ignition key is placed on the driver's panel and is used to start and stop the engine.

### IMPORTANT INFORMATION

**Do not run the starter for more than five seconds each time. If the engine does not start, wait about 10 seconds before re-trying.**



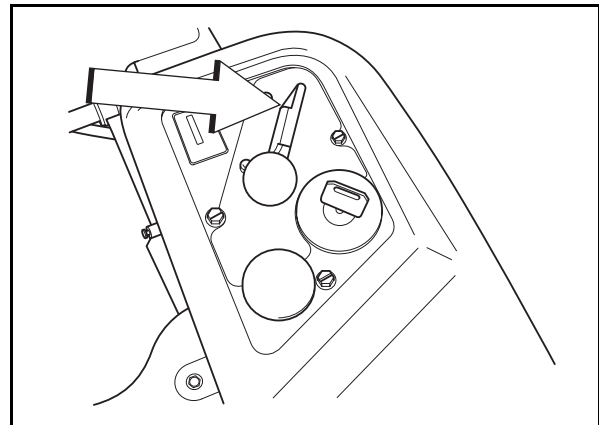
8011-748

*Ignition key and hour meter*

## 8. Choke Control

The choke mode is used for cold starts in order to provide the engine with a richer fuel mixture.

The Throttle control is equipped with a choke detent. Pressing the throttle control all of the way forward will choke the engine. For full throttle, press throttle control forward until you feel the choke detent.



8011-480

*Choke control detent*

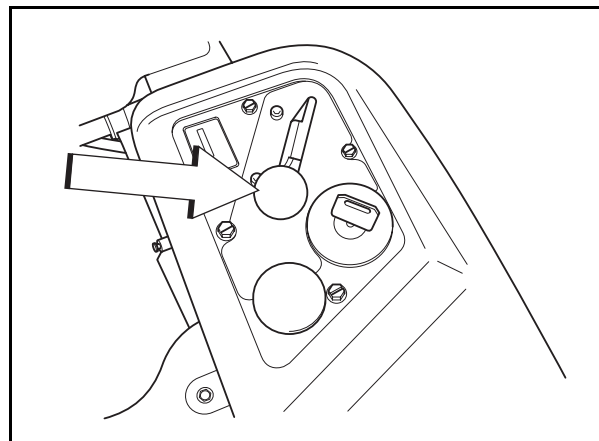
## 9. Throttle Control

The throttle control regulates the engine speed and thereby the rate of rotation of the blades, assuming the blade switch is pulled out, see Engaging the Mower Deck.

In order to increase or decrease the engine speed, the control is moved.

Avoid idling the engine for long periods, as there is a risk of fouling the spark plug.

**USE FULL THROTTLE WHEN MOWING**, for best mower performance and battery charging.



8011-747

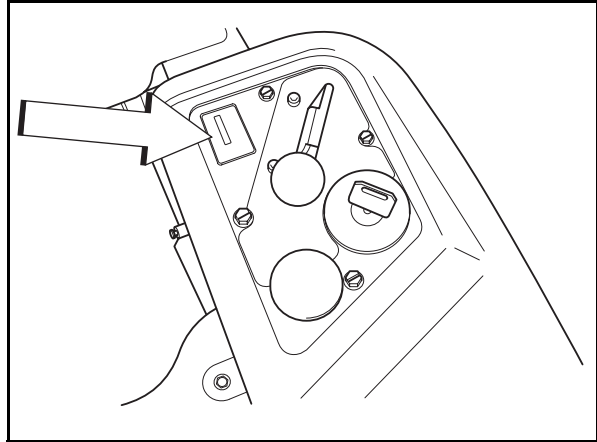
*Throttle control*

# CONTROLS

## 10. Hour Meter

The hour meter displays the total operating time.

It will flash CHG OIL (Change Oil) at 50 hour intervals. The flash duration is one hour before and one hour after the interval. The CHG OIL icon will come on and shut off automatically. The hour meter can not be manually reset.



8011-749

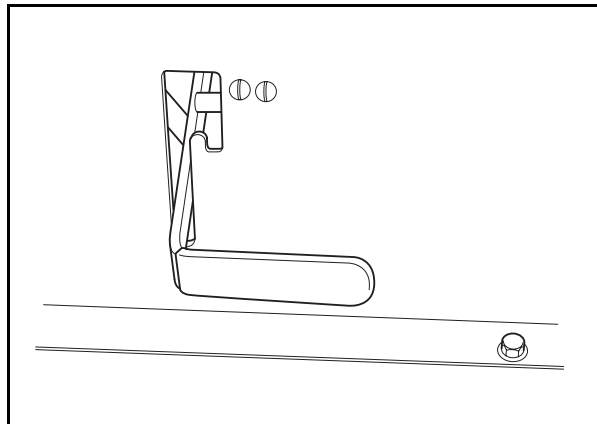
*Hour meter*

## 11. Parking Brake

### **IMPORTANT INFORMATION**

**The machine must be stopped before activating the parking brake.**

The parking brake is found below front of the seat. Pull the lever upward to activate the brake and downward to release it.



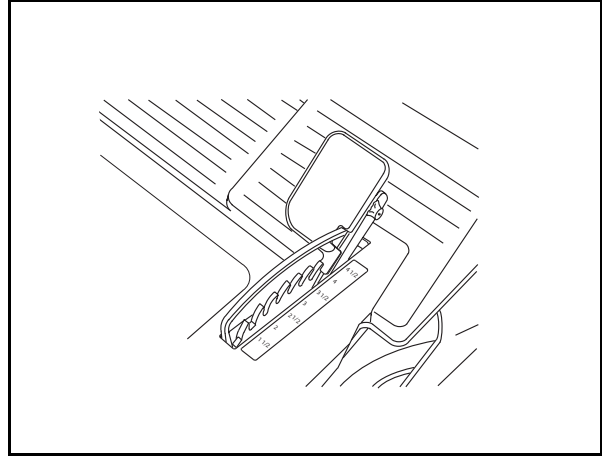
8011-481

*Parking brake not activated*

# CONTROLS

## 12. Cutting height pedal

The deck cutting height is obtained by pressing the foot pedal forward to lift the deck. To lower the deck, you apply pressure to the top side of the foot pedal and allow it to pivot while allowing the lift arm to rotate to the rear of the unit. To stop in a desired cutting position, rotate the foot pedal down into the notch in the height plate. The cutting height range is from 1 1/2" (38 mm) to 5" (127 mm) in 1/2" (13 mm) increments. The heights are measured from the ground up to the blade tip with the engine not running



8011-753

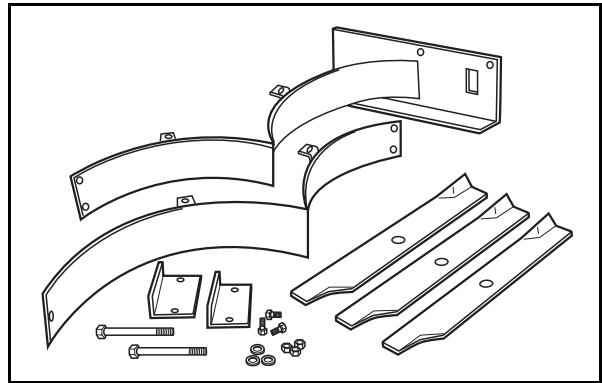
*Cutting height pedal*

### **IMPORTANT INFORMATION**

**In order to obtain an even cutting height it is important that the air pressure in all four tires is the same 15 psi (1 bar).**

## Accessories

For mulching, there is a BioClip attachment available. This is mounted underneath the mower deck and consists of control plates and BioClip blades.



8011-566

*BioClip attachment*



---

# OPERATION

---

## Operation

Read “Safety Instructions” on page 7 and following pages, if you are unfamiliar with the machine.

## Training

Zero turn mowers are far more maneuverable than typical riding mowers due to their unique steering capabilities.

We recommend that this section be reviewed in its entirety prior to attempting to move the mower under its own power. Additionally, we suggest when first operating mower, use a reduced throttle speed and reduced ground speed by NOT moving control levers to the furthest forward or reverse positions during initial operation, or until operator becomes comfortable with controls. We also suggest first time users, or new users to ZeroTurn mowers to become familiar with the mowers movement on a hard surface, such as concrete or blacktop PRIOR to attempting to operate on turf. Until operator becomes comfortable with mower controls and zero turning capability, they may damage turf due to over aggressive maneuvers.

### To move forward and backward

The direction and speed of the mowers movements is effected by the movement of the control lever(s) on each side of mower. The left control lever controls the left wheel. The right control lever controls the right wheel.

#### **IMPORTANT INFORMATION**

**When control levers are in the reverse position they return to neutral when released. This may cause the mower to suddenly stop.**

First time users should push mower (see “Moving by Hand” on page 32) to an open, flat area, without other people or vehicles/obstacles near by. In order to move unit under its own power, the operator must be in the seat, start engine (see “Before Starting” on page 24), adjust engine speed to idle, disengage parking brake, do not engage blades at this time, rotate control levers inward. As long as the control levers have not been moved forward or backwards, mower will not move. Slowly move both control levers forward slightly, this will allow mower to start moving forward in a straight line. Pull back on control levers to the neutral position and mower should stop moving. Pull back slightly on control levers, this will allow mower to start moving backwards. Push forward on control levers to the neutral position and mower should stop moving.

### To turn to the right

While moving in a forward direction, pull the right lever back towards the neutral position while maintaining the position of the left lever, this will slow the rotation of the right wheel and cause the machine to turn in that direction.

### To turn to the left

While moving in a forward direction pull the left lever back towards the neutral position while maintaining the position of the right lever, this will slow the rotation of the left wheel and cause the machine to turn in that direction.

### To zero turn

While moving in a forward direction, first pull both control levers back until the mower stops or slows dramatically. Then by alternating one lever slightly to the forward position and the other in the reverse position.

---

# OPERATION

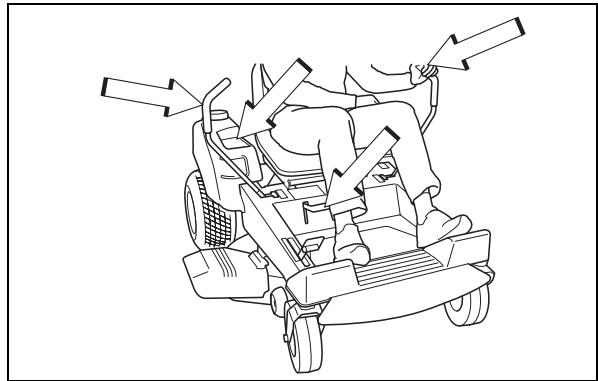
---

## Before Starting

- Read the sections Safety Instructions and Controls before starting the machine.
- Perform the daily maintenance before starting (see Maintenance Schedule in the Maintenance section).
- Check that there is sufficient fuel in the fuel tank.
- Adjust the seat to the desired position.

The following conditions must be fulfilled before the engine can be started:

- The driver must be seated on the seat.
- The blade switch for engaging the mower blades must be depressed.
- The parking brake must be on.
- Both steering controls must be in the locked (outer) neutral position.

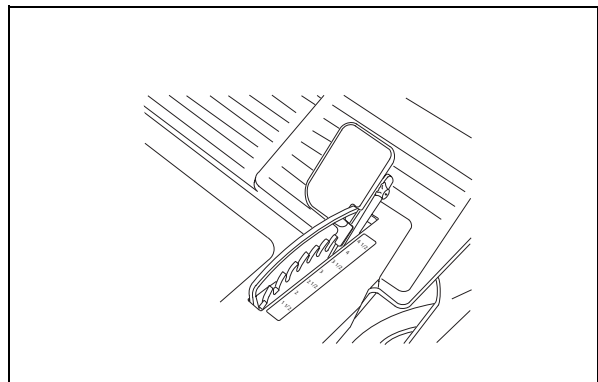


8011-484

*Start conditions*

## Starting the Engine

1. Sit on the seat.
2. Raise the mower deck by depressing the pedal forward to the locked position (transport position).
3. Activate the parking brake.



8011-753

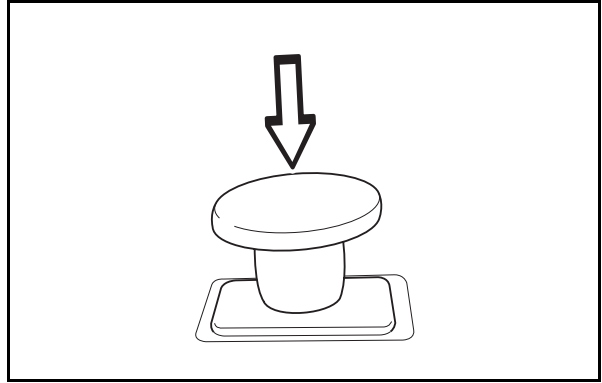
*Raise the mower deck*

---

# OPERATION

---

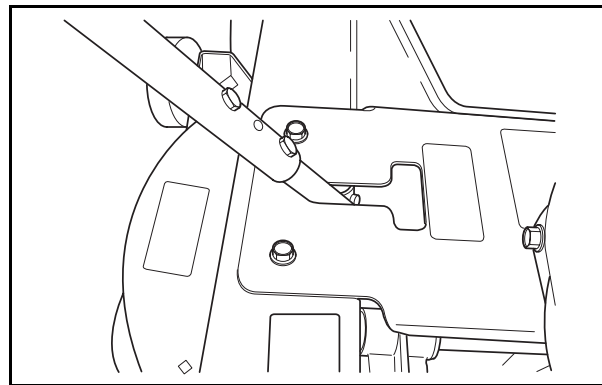
4. Disengage the mower blades by depressing the blade switch.



8011-668

*Depress the control for disengaging the mower deck*

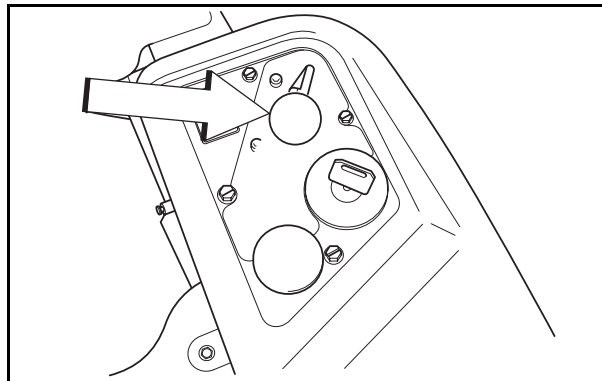
5. Move the steering controls outward to the locked (outer) neutral position.



8011-489

*Steering controls in the outward, locked neutral position*

6. Move the throttle to the middle position.
7. If the engine is cold, the throttle control should be pushed forward to its choke position.

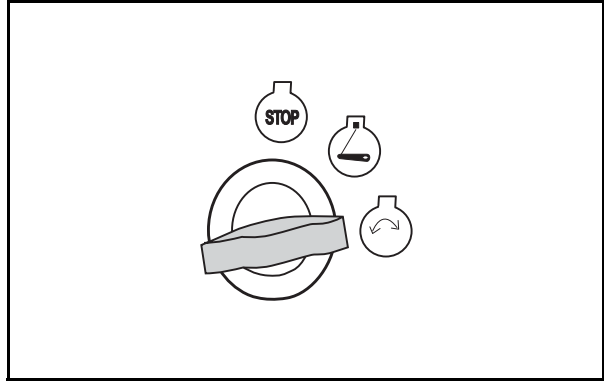


8011-754

*Set the throttle*

# OPERATION

8. Press in and turn the ignition key to the start position.



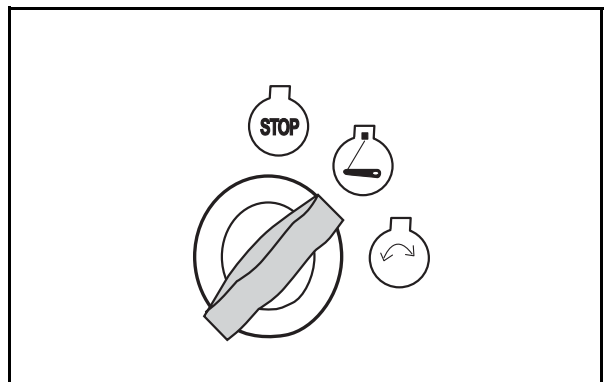
8011-742

*Turn to the start position*

9. When the engine starts, immediately release the ignition key back to the run position.

## IMPORTANT INFORMATION

**Do not run the starter for more than 5 seconds each time. If the engine does not start, wait about 10 seconds before re-trying.**



8011-743

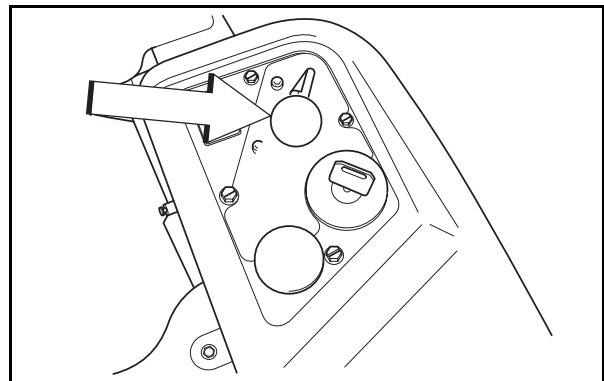
*Return to run position*

10. Set the desired engine speed with the throttle.  
Allow the engine to run at a moderate speed, "half throttle", for 3-5 minutes before loading it too heavily.  
**USE FULL THROTTLE WHEN MOWING (no choke).**



## WARNING!

**Never run the engine indoors, in enclosed or poorly ventilated spaces. Engine exhaust fumes contain poisonous carbon monoxide.**

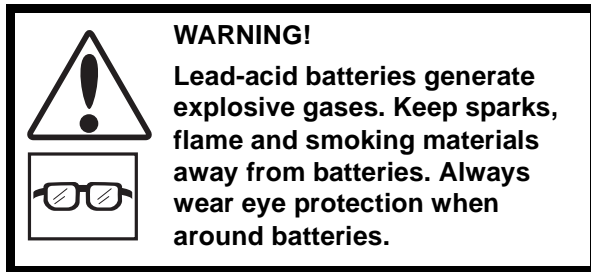


8011-754

*Set the engine speed*

# OPERATION

## To start an engine with a weak battery



If your battery is too weak to start the engine, it should be recharged. (See “Battery” on page 35).

If “jumper cables” are used for emergency starting, follow this procedure:

### IMPORTANT INFORMATION

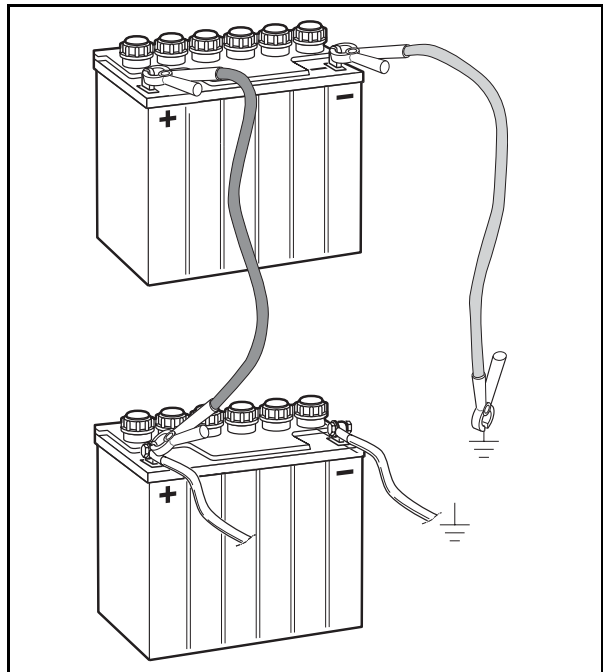
Your mower is equipped with a 12-volt negative grounded system. The other vehicle must also be a 12-volt negative grounded system. Do not use your mower battery to start other vehicles.

### To attach jumper cables

- Connect each end of the RED cable to the POSITIVE (+) terminal on each battery, taking care not to short against chassis.
- Connect one end of the BLACK cable to the NEGATIVE (-) terminal of the fully charged battery.
- Connect the other end of the BLACK cable to a good CHASSIS GROUND on the mower with the discharged battery, away from the fuel tank and battery.

### To remove cables, reverse order

- Remove BLACK cable first from chassis and then from the fully charged battery.
- Remove RED cable last from both batteries.



8011-642

*Jumper cables connection*

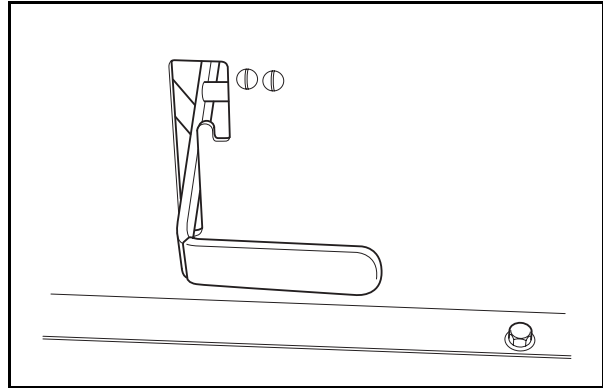
# OPERATION

## Running

1. Release the parking brake by moving the lever downward.

Your mower is equipped with an operator presence system. When the engine is running, any attempt by the operator to leave the seat without first setting the parking brake will shut off the engine.

2. Move the steering controls to the neutral position (N).



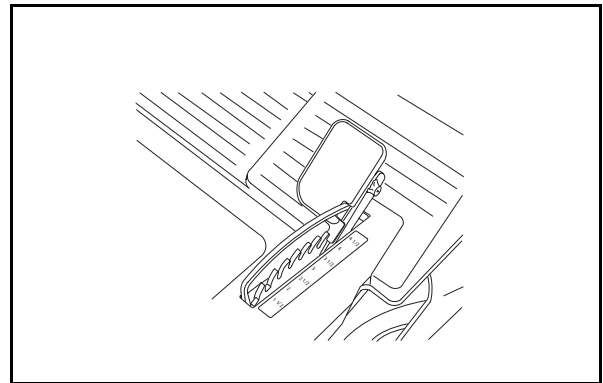
8011-481

*Released parking brake*

3. Select the cutting height by the cutting height pedal.

### IMPORTANT INFORMATION

The mower deck's anti-scalp rollers should be evenly adjusted.



8011-753

*Cutting height selection*



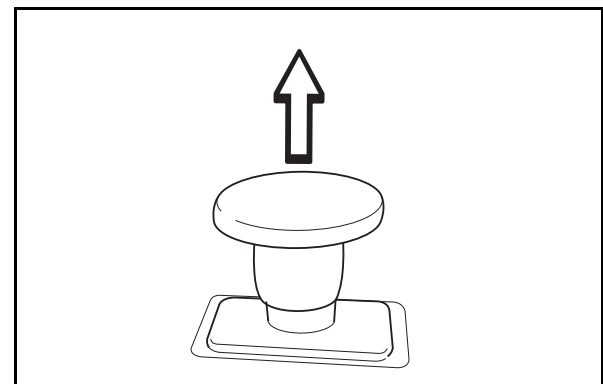
### WARNING!

Ensure that no one is near the machine when engaging the Blade switch.

4. Engage the mower deck by pulling out the blade switch.
5. Move throttle control to full throttle (not choke)
6. The machine's speed and direction are continuously variable using the two steering controls. When both controls are in the neutral position, the machine stands still.

By moving both controls an equal amount forward or backward, the machine moves in a straight line forward or backward respectively.

In order, for example, to turn right while moving forward, move the right control towards the neutral position. The rotation of the right wheel is reduced and the machine turns to the right.



8011-669

*Engaging the mower deck*

# OPERATION

Turning on the spot can be achieved by moving one control backward (behind the neutral position) and carefully moving the other steering control forward from its neutral position.

## Operating on hills

Read the Safety Instructions "Driving on Slopes" on page 9



### WARNING!

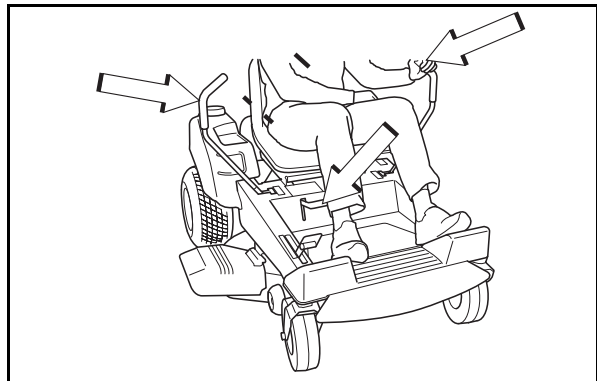
**Do not drive up or down hills with slopes greater than 10 degrees. And do not drive across any slopes.**

- The slowest speed possible should be used before starting up or down hills.
- Avoid stopping or changing speed on hills.
- If stopping is absolutely necessary, pull drive levers into the neutral position and push to the outside of the unit and engage the parking brake.

### IMPORTANT INFORMATION

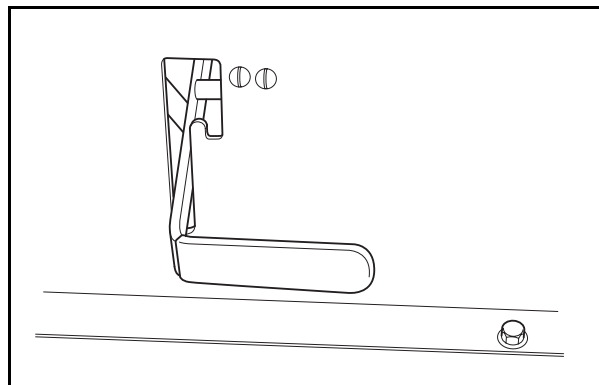
**Control levers return to neutral when released. This may cause the mower to suddenly stop.**

- To restart movement, release the parking brake.
- Pull the control levers back to the center of the mower and press forward to regain forward motion.
- Make all turns slowly.



8011-755

*Stopping conditions*



8011-481

*Released parking brake*

# OPERATION

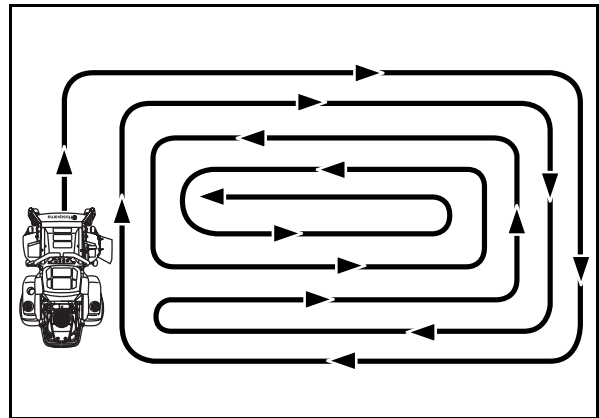
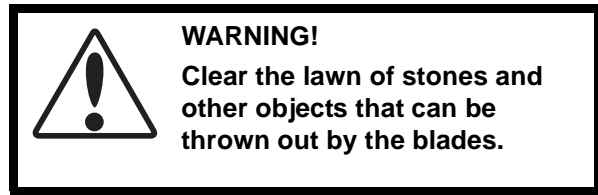
## Mowing Tips

- Observe and flag rocks and other fixed objects to avoid collisions.
- Begin with a high cutting height and reduce it until the desired mowing result is attained.

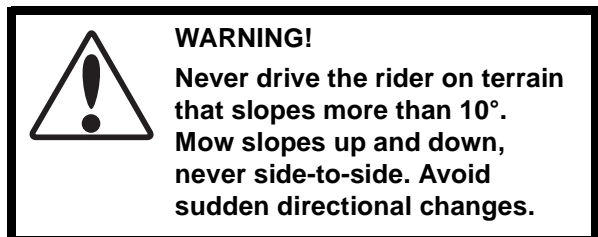
The average lawn should be cut to 2 1/2" (64 mm) during the cool season and over 3" (76 mm) during the hot months. For healthier and better looking lawns, mow often after moderate growth.

For best cutting performance, grass over 6" (15 cm) in height should be mowed twice. Make the first cut relatively high; the second to the desired height.

- The mowing result will be best with a high engine speed (the blades rotate rapidly) and low speed (the rider moves slowly). If the grass is not too long and dense, the driving speed can be increased without negatively affecting the mowing result.
- The finest lawns are obtained by mowing often. The lawn becomes more even and the grass clippings more evenly distributed over the mown area. The total time taken is not increased as a higher operating speed can be used without poor mowing results.
- Avoid mowing wet lawns. The mowing result is poorer because the wheels sink into the soft lawn, clumps build, and the grass clippings fasten under the cowling.
- Hose the mower deck underside with water after each use. When cleaning, the mower deck shall be raised into the transport position. Make sure the mower is cooled and the engine is off.
- Use compressed air to clean top surface of the deck. Avoid flooding water on top surface.
- When the mulching kit is used, it is important that the mowing interval is frequent.



*Mowing patterns*



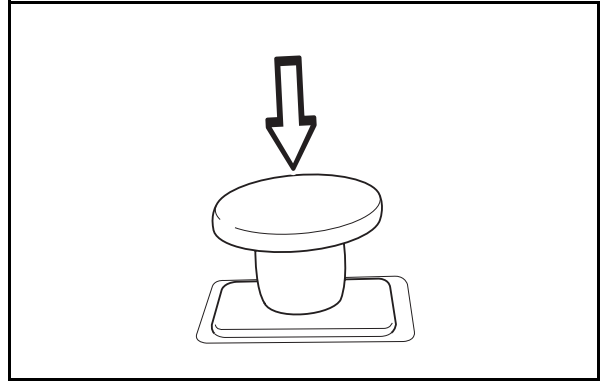


# OPERATION

## Stopping the Engine

Allow the engine to idle a minute in order to attain normal operating temperature before stopping it, if it has been worked hard. Avoid idling the engine for longer periods, as there is a risk of the spark plugs fouling.

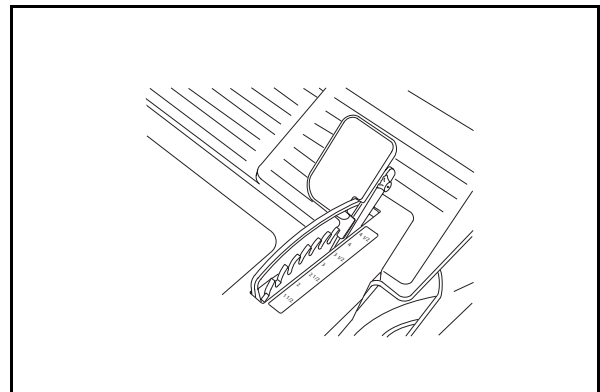
1. Disengage the mower deck by depressing the blade switch.



8011-668

*Disengage the mower deck*

2. Raise the mower deck by depressing the pedal forward to the transport position.
3. When the machine is standing still, activate the parking brake by pulling the lever upward.
4. Move the throttle to the minimum position (tortoise symbol). Turn the ignition key to the stop position.
5. Move the steering controls outward.
6. Remove key. Always remove key when leaving the mower to prevent unauthorized use.



8011-753

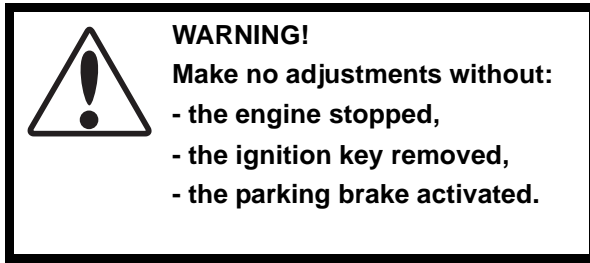
*Raise the mower deck with the lifting pedal*

### **IMPORTANT INFORMATION**

**Leaving the ignition switch in any other position than "OFF" will cause the battery to be discharged.**

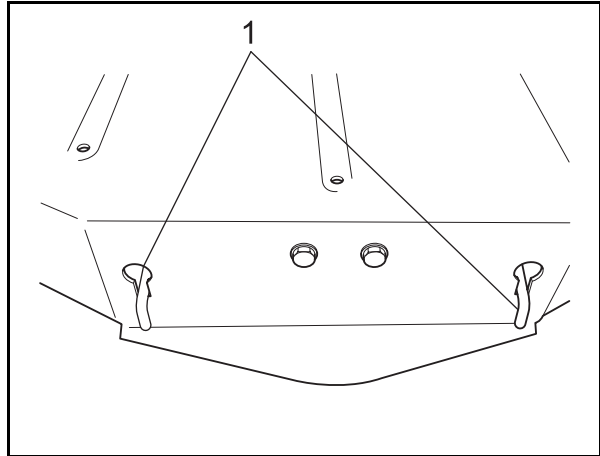
# OPERATION

## Moving by Hand



When pushing or pulling the mower, be sure to engage the IZT (Integrated Zereturn Transaxle) bypass linkages. The IZT bypass linkages are located on the rear of the frame.

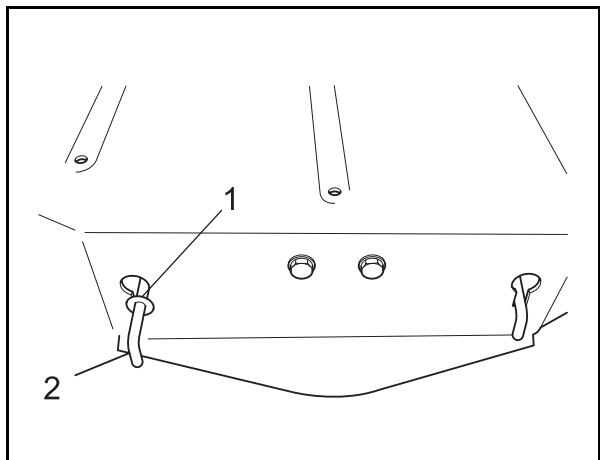
- Raise the deck into the highest cutting position.
- Pull the IZT bypass linkages out and into the slots and release so that it is held in the bypass position.
- To reengage the IZT's to drive, reverse the above procedure.



8011-722

1. IZT Bypass linkages

*Bypass linkages*



8011-722

1. Head outside of rear deck

2. IZT Bypass linkage in bypass position

*Bypass position*

# MAINTENANCE

## Maintenance

### Maintenance Schedule

The following is a list of maintenance procedures that must be performed on the machine. For those points not described in this manual, visit an authorized service workshop. An annual service carried out by an authorized service workshop is recommended to maintain your machine in the best possible condition and to ensure safe operation.

Read Safety Instructions section “Maintenance” on page 11.

● = Described in this manual

○ = Not described in this manual

Maintenance	Page	Daily maintenance		Weekly maintenance	At least once each year	Maintenance interval in hours			
		Before	After			25	50	100	300
Check the parking brake	42	●							
Check the engine's oil level (every refueling)	55	●							
Check outside of air cleaner	39	●							
Check the safety system	37	●							
Check for fuel and oil leakages	-	○							
Check/clean the engine's cooling air intake	38		●						
Check the mower deck	46		●						
Check hardware (screws, nuts, etc.)	51		●						
Clean under the mower deck	51		●						
Start the engine and blades, listen for unusual sounds	-		○						
Check for damage	-		○						
Thoroughly clean around the engine	-		○						
Clean around belts, belt pulleys, etc.	-		○						
Check the tire pressures	42					●			
Check battery	35					●			
Sharpen/Replace mower blades	46					●			
Lubricate the caster wheels	51					●			
Clean the engine's cooling air intake <sup>2)</sup>	38				●	●			
Clean the air cleaner's pre-filter <sup>2)</sup> (foam)	39				●	●			
Clean the air cleaner's filter cartridge <sup>2)</sup> (paper filter)	39				●		●		
Check/adjust the parking brake	-				○		○		
Inspect muffler/Spark arrester	-				○		○		

# MAINTENANCE

Maintenance	Page	Daily maintenance		Weekly maintenance	At least once each year	Maintenance interval in hours			
		Before	After			25	50	100	300
Check/adjust throttle cable	38							●	
Check the condition of belts, belt pulleys, etc.	43				●			●	
Change the engine oil <sup>1)</sup>	53				●		●		
Replace the engine oil filter	56				●			●	
Clean/replace the spark plugs	36				●			●	
Replace the air filter (paper filter) <sup>2)</sup>	39				●			●	
Check the caster wheels (every 200 hours)	51							●	
Clean the cooling fins <sup>2)</sup>	-				○			○	
Replace the air cleaner's pre-filter <sup>2)</sup> (foam)	39				●				●
Check/adjust the mower deck	47				●				●
Check the engine valve clearance <sup>4)</sup>	-				○				○
Perform the 300-hour service <sup>4)</sup>	72				○				○

<sup>1)</sup> First change after 5-8 hours. When operating with a heavy load or at high ambient temperatures, replace every 50 hours. <sup>2)</sup> In dusty conditions, cleaning and replacement are required more often. <sup>3)</sup> For daily use, the machine should be lubricated twice weekly. <sup>4)</sup> Performed by authorized service workshop.

● = Described in this manual

○ = Not described in this manual



**WARNING!**

**No adjustments or maintenance to be carried out unless:**

- The engine is stopped.
- The ignition key has been removed.
- The parking brake is on.

# MAINTENANCE

## Battery

Your mower is equipped with a maintenance free battery and does not need servicing. However, periodic charging of the battery with an automotive type battery charger will extend its life.

- Keep battery and terminals clean.
- Keep battery bolts tight.
- Recharge at 6-10 amperes for 1 hour

### To clean battery and terminals

Corrosion and dirt on the battery and terminals can cause the battery to “leak” power.

1. Open terminal access doors.
2. Disconnect BLACK battery cable first, then the RED battery cable and remove the battery from the machine.
3. Rinse the battery with plain water and dry.
4. Clean terminals and battery cable ends with wire brush until shiny.
5. Coat terminals with grease or petroleum jelly
6. Reinstall battery.

### Replacing battery

1. Lift Seat and rotate forward.
2. Open terminal access doors.
3. Using two 1/2" wrenches disconnect BLACK battery cable then RED battery cable.
4. Using 7/16" wrench, remove terminal guard.
5. Carefully remove the battery from the mower.
6. Install new battery with terminals in the same position as the old battery.
7. Reinstall terminal guard.
8. First connect RED battery cable to positive (+) battery terminal with hex bolt and hex nut.
9. Connect BLACK grounding cable to negative (-) battery terminal with remaining hex bolt and hex nut.
10. Tighten securely.
11. Close terminal access doors.
12. Lower seat.



**Always use protective glasses when handling the battery.**

### IMPORTANT INFORMATION

**Do not attempt to open or remove caps or covers. Adding or checking level of electrolyte is not necessary.**

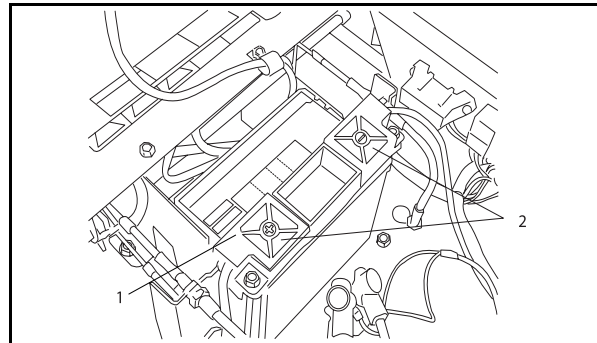
**Always use two wrenches for the terminal screws**



### WARNING!

**Do not short battery terminals by allowing a wrench or any other object to contact both terminals at the same time. Before connecting battery, remove metal bracelets, wristwatch bands, rings, etc.**

**Positive terminal must be connected first to prevent sparks from accidental grounding.**



CZ-22

1. Terminal guard
2. Terminal access doors

*Battery installation*

# MAINTENANCE

## Ignition System

The engine is equipped with an electronic ignition system. Only the spark plug requires maintenance.

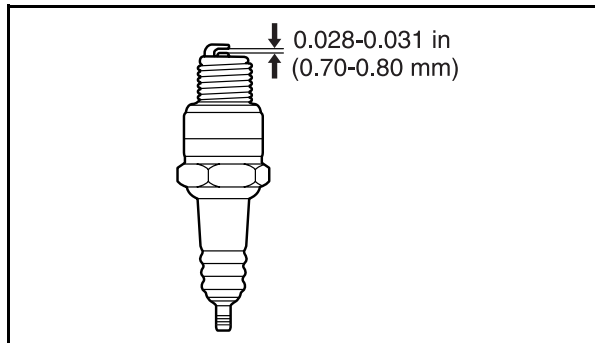
For recommended spark plug, see Technical Data.

1. Remove the ignition cable boot and clean around the spark plug.
2. Remove the spark plug with a spark plug socket wrench.
3. Check the spark plug. Replace the spark plug if fouled, the electrodes are burned and if the insulation is cracked or damaged. Clean the spark plug with a steel brush if it is to be reused.
4. Measure the electrode gap with a gapping tool. The gap should be .030" (0.75 mm). Adjust as necessary by bending the side electrode.
5. Reinsert the spark plug, turning by hand to avoid damaging the threads.
6. After the spark plug is seated, tighten it using a spark plug wrench so that the washer is compressed. A used spark plug should be turned 1/8 of a turn from the seated position. A new spark plug should be turned 1/4 a turn from the seated position.
7. Replace the ignition cable.

### IMPORTANT INFORMATION

**Fitting the wrong spark plug type can damage the engine.**

**Inadequately tightened spark plug can cause overheating and damage the engine. Tightening the spark plug too hard can damage the threads in the cylinder head.**



8011-054

*Measure the electrode gap*

# MAINTENANCE

## Checking the Safety System

The machine is equipped with a safety system that prevents starting or driving under the following conditions.

The engine can only be started when:

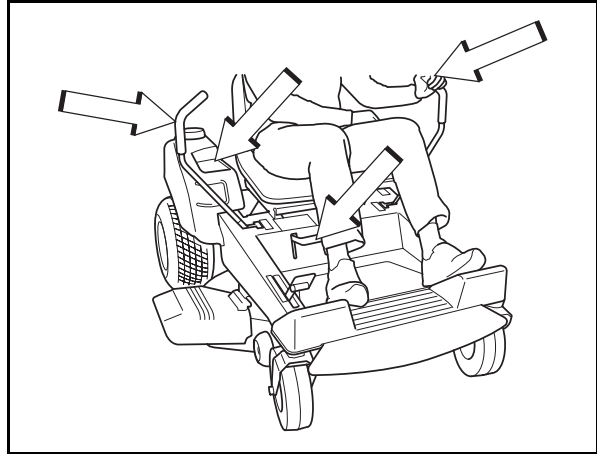
1. The mower deck is disengaged.
2. The steering controls are in the outer, locked neutral position.
3. The driver is sitting in the driver's seat.
4. The parking brake is on.

Make daily inspections to ensure that the safety system works by attempting to start the engine when one of the conditions is not met. Change the conditions and try again.

If the machine starts when one of these conditions is not met, turn the machine off and repair the safety system before using the machine again.

Make sure the engine stops when the parking brake is not engaged and the operator leaves the seated position.

Check that the engine stops if the mower blades are engaged and the driver temporarily stands up.



8011-484

*Conditions for starting*

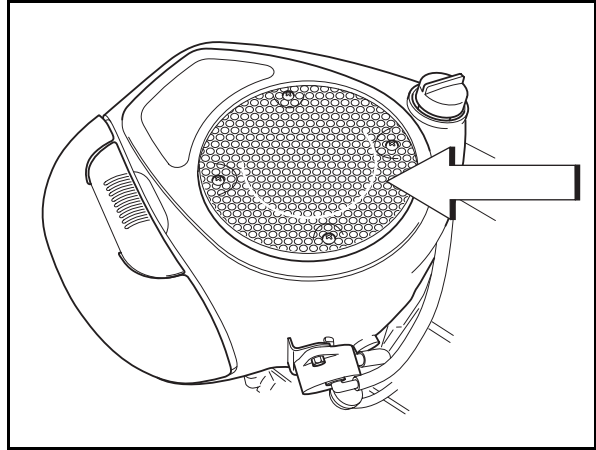
### **IMPORTANT INFORMATION**

**In order to be able to drive, the driver must sit in the seat and release the parking brake before the steering controls can be moved into the neutral position, otherwise the engine will stop.**

# MAINTENANCE

## Checking the Engine's Cooling Air Intake

Check that the engine's cooling air intake is free from leaves, grass, and dirt. If the cooling air intake is clogged, engine cooling deteriorates, which can lead to engine damage.



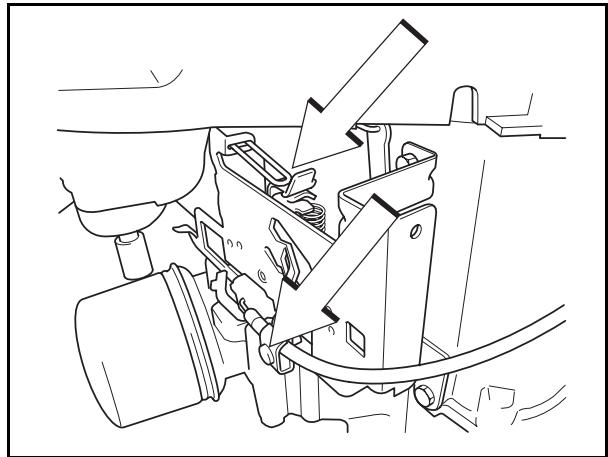
8011-491

*Check and clean the cooling air intake*

## Checking and Adjusting the Throttle Cable

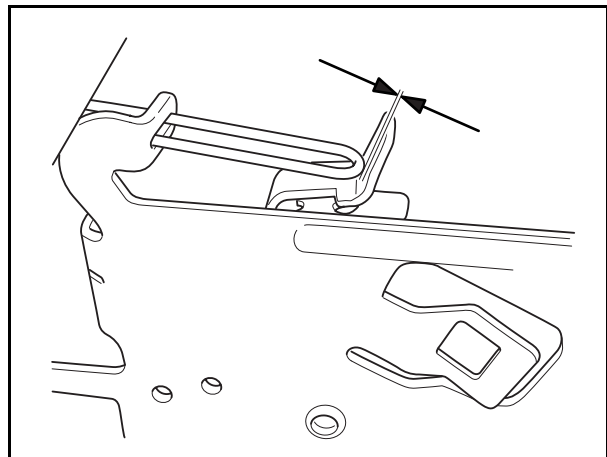
Check that the engine responds to throttle increases and that a good engine speed is attained at full throttle. If doubts arise, contact the service workshop. If adjustments are necessary, they can be made as follows for the lower cable:

1. Loosen the clamping screw for the cable's outer casing and move the throttle to the full throttle position (no choke).
2. Check that the throttle cable is mounted in the correct hole in the lever, see illustration.
3. Push the throttle cable's outer casing until choke start position, see illustration, and tighten the clamping screw.
4. Set the throttle control to the choke position and check that full choke is obtained.



8011-492

*Adjusting the throttle cable*



8009-404

*Choke start position*



# MAINTENANCE

## Replacing the Air Filter

If the engine seems weak or runs unevenly, the air filter may be clogged. If run with a dirty air filter, the spark plug can become fouled. For this reason, it is important to replace the air filter regularly (see the heading Maintenance Schedule for the proper service interval).

Check the air cleaner daily or before starting the engine. Check for build-up of dirt and debris around the air cleaner system. Keep this area clean. Also check for loose or damaged components. Replace all bent or damaged air cleaner components.

Cleaning/replacing the air filter is carried out as follows:

### Briggs and Stratton engine

The air filter is replaced as follows:

1. Pull up the handle on the air filter cover, unhook and turn towards the engine.
2. Remove the air filter cover.

3. Lift out the air filter cartridge from the fan housing.

Replace the filter cartridge if it is clogged with dirt.

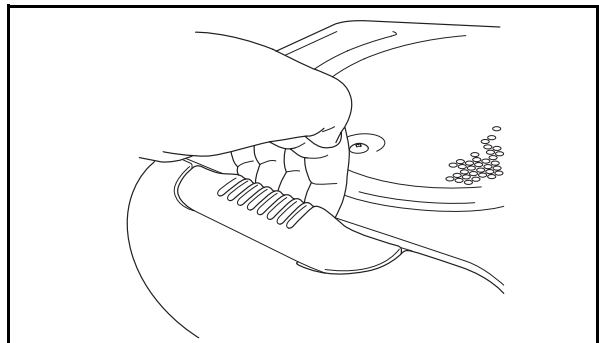
#### IMPORTANT INFORMATION

**Do not use compressed air to clean the paper filter.**

**Filters should not be oiled. They should be assembled dry.**

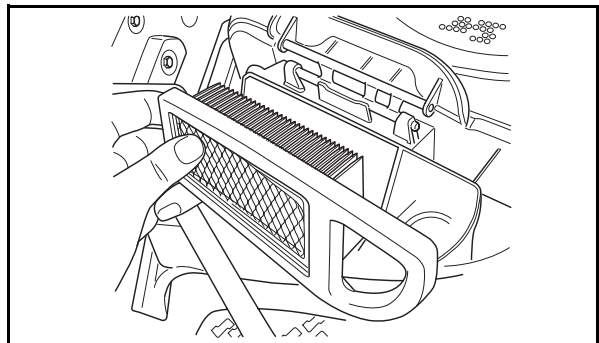
#### IMPORTANT INFORMATION

**Operating the engine with loose or damaged air cleaner components could allow unfiltered air into the engine, causing premature wear and failure.**



8009-406

*Pull up the handle*

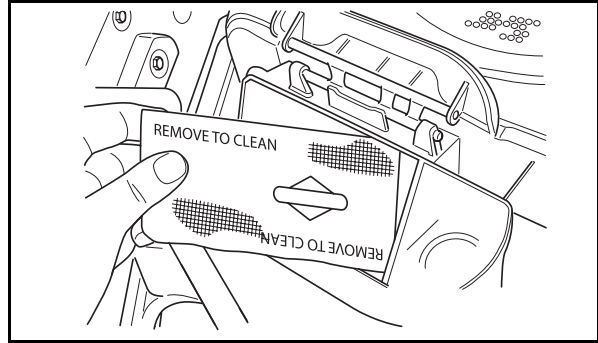


8009-409

*Remove the air filter cartridge*

# MAINTENANCE

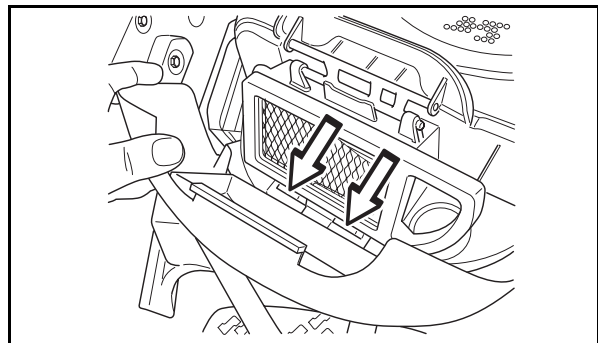
- Carefully lift the pre-cleaner out of the fan housing. Carefully clean the fan housing so that dirt does not fall down into the carburetor.
- Insert a new pre-cleaner and air filter cartridge in the fan housing.



8009-408

*Remove the pre-cleaner*

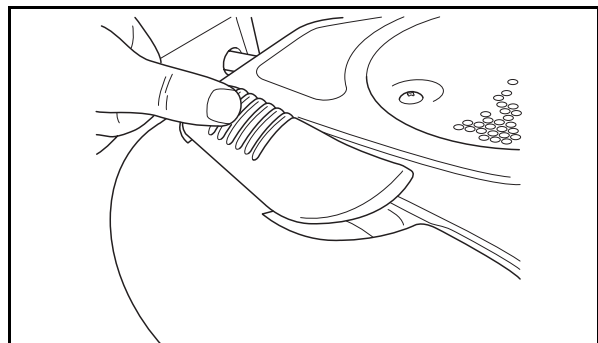
- Align the tabs on the cover with the slits in the housing and replace the air filter cover.



8009-407

*Align the tabs*

- Pull the handle outwards. Secure the handle in the air filter cover and close the cover by pressing it inwards.



8009-410

*Close the cover*

# MAINTENANCE

## Kohler engine

The standard engine is not equipped with a pre-filter. As an option a pre-filter can be installed on the inside of the air filter cover.

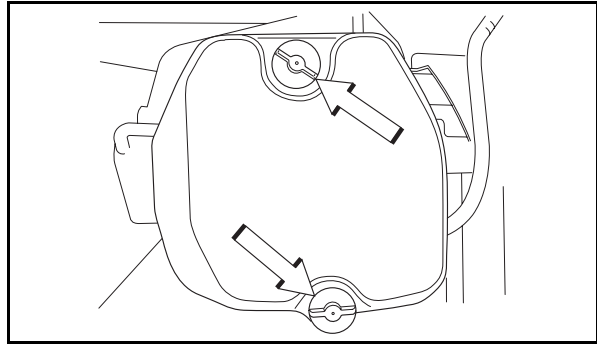
1. Loosen the two retaining knobs and remove the cover. If the engine has a pre-filter, it is mounted on the inside of the cover. Replace the foam filter or clean it with soap-water and squeeze it dry before assembly.
2. Clean the area around the filter element to prevent debris from getting in the engine when the element is removed.
3. Remove the filter element. Replace a dirty, bent or damaged element with a new one. Handle new element carefully; do not use if the sealing surfaces are bent or damaged.

### IMPORTANT INFORMATION

**Do not use compressed air to clean the filter element. Do not wash the filter element. Do not oil the filter element.**

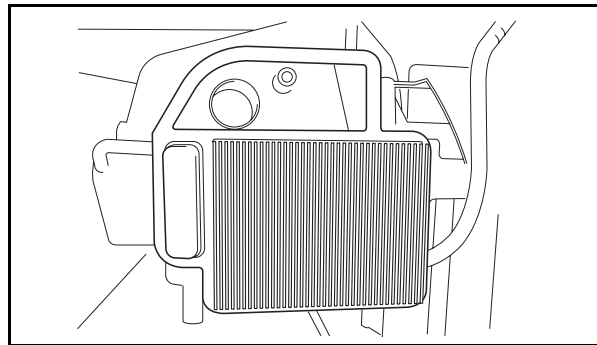
If the element is to be re-used, tap it against a fixed surface to remove dust.

4. Check the air cleaner base. Make sure it is secured and not bent or damaged. Also check the air filter cover for damage or improper fit. Replace all damaged air cleaner components.
5. Install the filter element. Check that it fits properly and that no air leaks occur.
6. Install the cover and tighten the knobs by hand.



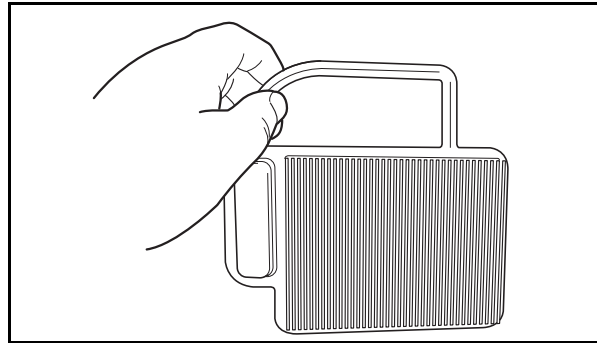
8011-556

*Air filter cover*



8011-737

*Air filter element*



8011-738

*Remove dust*

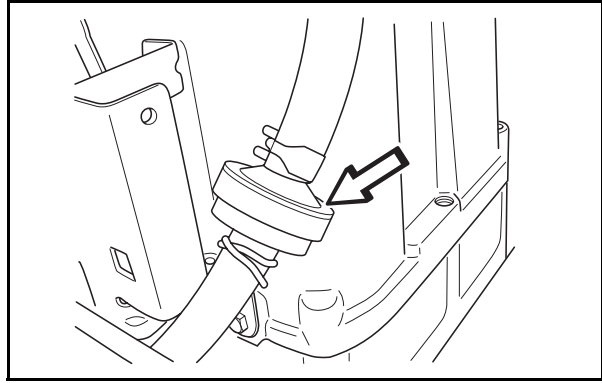
# MAINTENANCE

## Replacing the Fuel Filter

Replace the line-mounted fuel filter every 100 hours (once per season) or more regularly if it is clogged.

Replace the filter as follows:

1. Move the hose clamps away from the filter. Use flat-nosed pliers.
2. Pull the filter loose from the hose ends.
3. Push the new filter into the hose ends. Position the filter with the "FLOW" arrow pointing up toward the carburetor. If necessary, a soap solution can be applied to the filter ends to ease mounting.
4. Move the hose clamps back toward the filter.

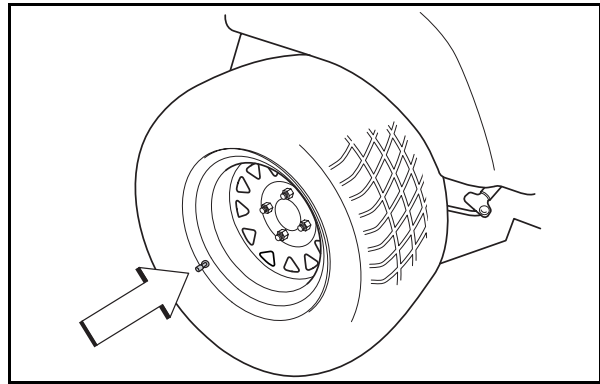


8009-405

Fuel filter

## Checking Tire Pressures

All four tires should have a pressure of 15 psi / 103 kPa / 1 bar.



8011-564

Tire pressures

## Checking the Parking Brake

Visually check that no damage is found on the lever, linkages, or switch belonging to the parking brake. Perform a stand still test and check that there is a braking action.

To adjust the parking brake, contact the Husqvarna service workshop.

### IMPORTANT INFORMATION

**The parking brake is a mechanical latch brake and must not be applied when the mower is moving.**



**WARNING!**  
Faulty adjustment can cause an accident.

---

# MAINTENANCE

---

## Checking the V-belts



**WARNING!**

**No adjustments or maintenance to be carried out unless:**

- The engine is stopped.
- The ignition key has been removed.
- The parking brake is on.

## Deck belt

V-belts are not adjustable. Replace belts if they begin to slip from wear.

### Deck belt removal



**WARNING!**

**Idler arm is spring loaded. Have a tight grip on idler arm or ratchet and release slowly.**

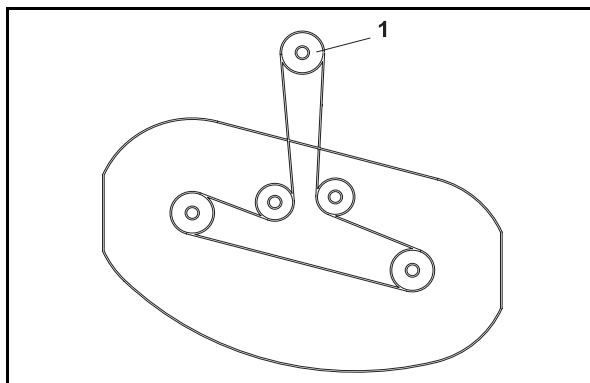
- Park on a level surface. Apply parking brake.
- Lower the deck into the lowest cutting position
- Disengage belt tension by pushing inward on deck belt idler pulley by hand or with a 1/2" drive ratchet placed in square drive hole on idler arm, While arm is pushed inward, remove belt from stationary idler pulley and release idler arm slowly until spring force is no longer felt.
- Remove bolt from idler pulley. This will allow belt to pass by the belt guide.
- Loosen screws from both left and right plastic belt shield above each mandrel housing. Remove shields
- Remove any dirt or grass that may have accumulated around the cutter housings and entire deck surface.
- Carefully roll the belt over the top of the cutter housing pulleys.
- Remove the belt from around the electric clutch on the engine shaft.
- The belt can now be removed.

# MAINTENANCE

## Deck belt installation

NOTE: For ease in installing the deck belt, refer to the routing decal on bottom of seat.

- Wrap the deck belt around the electric clutch pulley that is located on the engine shaft.
- Route the belt forward between the EZT (E-Series Zereturn Transaxles) and up onto the deck.
- Place belt around spring loaded idler pulley, between the pulley and guide. Secure bolt and nut.
- Starting on the right hand side of the deck, wrap the belt around the stationary idler pulley, the right mandrel housing, then around to the left mandrel housing.
- Push inward on the idler arm and carefully route belt over stationary idler pulley. Once belt is properly routed, slowly release idler arm to tension belt.
- Double check belt routing to make sure it matches the routing decal, and the belt does not have any twist. Correct as needed.
- Replace belt shields on both mandrel housings and secure with fasteners.



8011-773

1. Clutch pulley

*Belt routing, deck belt*

---

# MAINTENANCE

---

## EZT belt

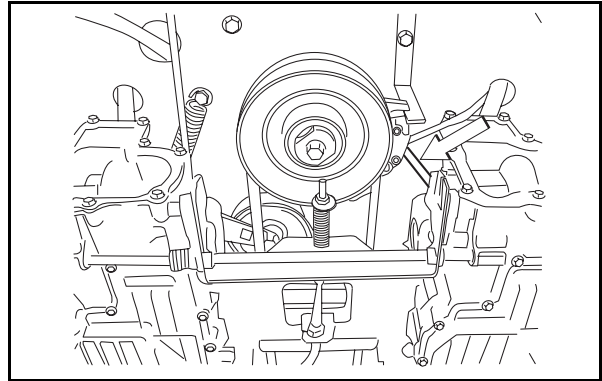
### To replace EZT (E-Series Zeroturn Transaxle) belt

Park the mower on a level surface. Engage the parking brake.

### EZT belt removal

NOTE: Be careful not to damage the fan blades on the EZT's as this can affect cooling or damage the EZT's

- Remove the deck belt (see to replace deck belt in this section of the manual).
- Unplug clutch from wiring harness. Remove bolt from center of clutch and slide clutch off of engine shaft.
- Create slack in the belt by removing the spring on the pump idler arm.
- The belt should now be able to be removed from the engine pulley and EZT pulleys.



*Transaxle belt*

### Belt installation

- Wrap the EZT belt around the EZT pulleys
- Route the belt around the inside of the idler pulley.
- Now you can wrap the belt around the engine pulley.
- Reattach the spring on the pump idler arm.
- Install clutch on to engine shaft (pulley side down) make sure key is installed and align the clutch anti rotation tab into slot on clutch. Secure clutch, install wire.
- Reinstall the deck belt onto the electric clutch belt (see to replace deck belt in this section of the manual).

# MAINTENANCE

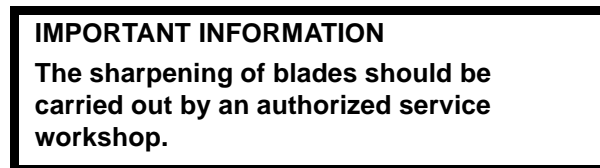
## Checking the Blades

In order to attain the best mowing effect, it is important that the blades are well sharpened and not damaged.



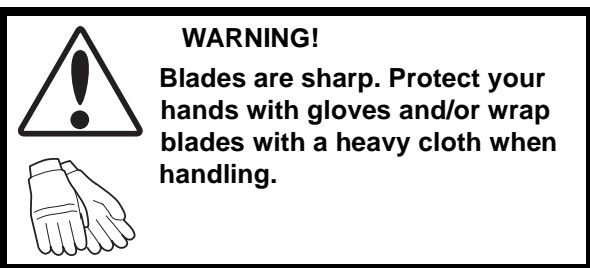
Bent or cracked blades or blades with large nicks should be replaced.

Check the blade mounts.

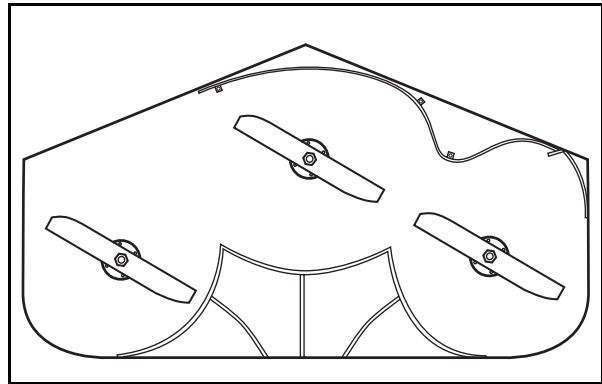
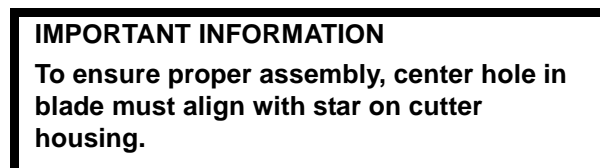


Damaged blades should be replaced when hitting obstacles that result in a breakdown. Let the service workshop decide whether the blade can be repaired/ground or must be replaced.

## Blade replacement:

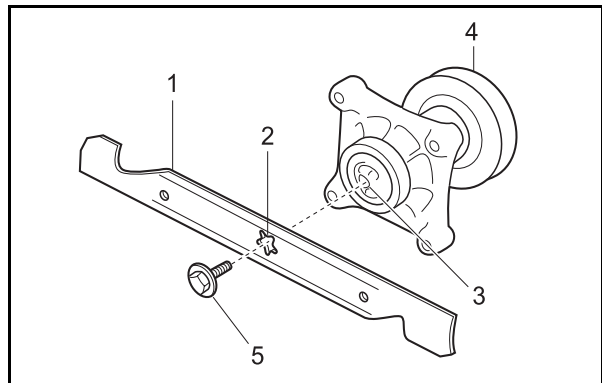


- Remove blade bolt by turning counterclockwise.



8011-604

*Check the blades*



8011-671

1. Blade
2. Center hole
3. Star
4. Cutter housing
5. Blade bolt (special)

*Blade attachment*



---

# MAINTENANCE

---

- Install new or re-sharpened blade with stamped "GRASS SIDE" facing towards ground/grass (down) or "THIS SIDE UP" facing deck and cutter housing.
- Install and tighten blade bolt securely.  
Torque blade bolt to 27-35 ft/lb (35-45 Nm).

## IMPORTANT INFORMATION

**Special blade bolt is heat treated.  
Replace with a Husqvarna bolt if required.  
Do not use lower grade hardware than specified.**

## Adjusting the Mower Deck



### WARNING!

**Before performing any service or adjustment checklist:**

1. Engage the parking brake.
2. Place the Blade-switch in the disengaged position.
3. Turn ignition switch to "OFF" position and remove the key.
4. Make sure the blades and all moving parts have completely stopped.
5. Disconnect the spark plug wire from all spark plugs and place the wire where it cannot come in contact with the plug.



### WARNING!

**Blades are sharp. Protect your hands with gloves and/or wrap blades with a heavy cloth when handling.**



Check the tire pressure before adjustment of the mower deck, refer to page 42.

Faulty mower deck adjustment will cause an uneven mowing result.

# MAINTENANCE

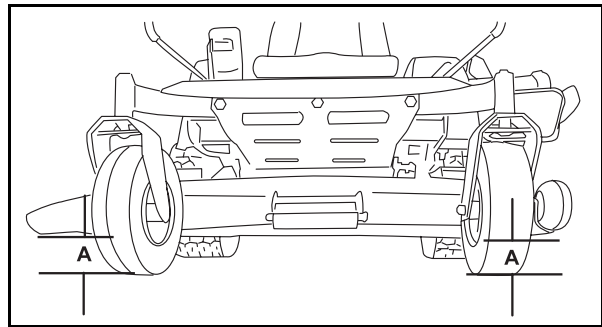
## To level deck

Adjust the deck while the mower is on a level surface. Make sure the tires are inflated to the correct pressure. See "Technical Data" on page 63. If tires are under or over inflated, you can not properly adjust your deck.

**NOTE:** It may be easier to adjust the front lift linkages by removing the floor pan before any adjustments are made.

## Side-to-side adjustment

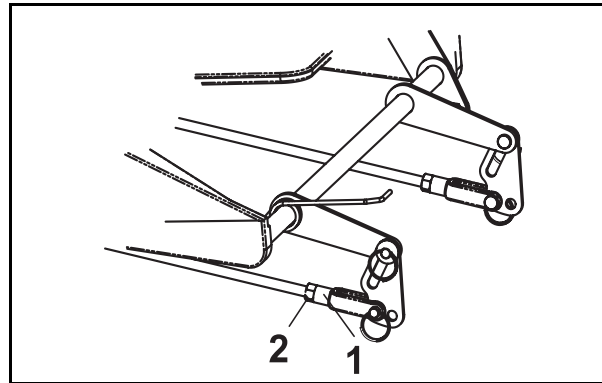
1. Raise the deck into the four inch 4" (102 mm) cutting position.
2. Measure height from the bottom edge of the deck to the ground at both front corners. Distance "A" should be the same, or within 3/16" (5 mm) of an inch.
3. If adjustment is necessary, make adjustment to one side of the deck only



CZ-16

Distances A

4. Remove the securing ring from the top pin and the bottom clevis pin. Push bottom clevis pin through deck lift connector while supporting deck. Adjust by moving the deck lift connector to a new hole to lower or raise that specific corner of the deck. The round hole closest to the long slot is the shorter length and will raise the deck, the round hole farthest away from the long slot is the longer of the two and would lower the deck when used.
5. Recheck measurements after adjustment.



8011-645

1. Front lift linkage

2. Hex nut

Adjustment A

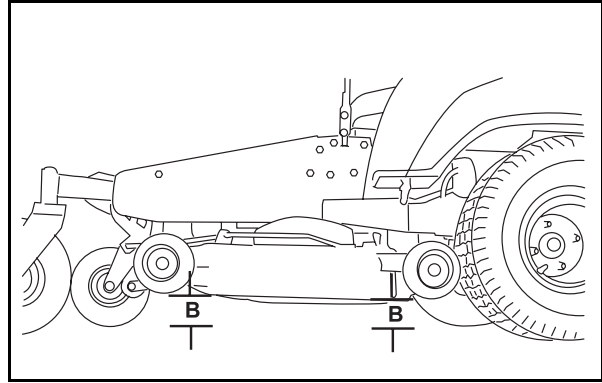
# MAINTENANCE

## Front-to-back adjustment

### IMPORTANT INFORMATION

Deck must be leveled side-to-side, prior to leveling front to back. If the following front to back adjustment is required, be sure to adjust both front and rear linkages equally so the deck will stay level side to side.

To obtain the best cutting performance, the deck should be adjusted so the front tip of the blades are approximately 1/8" (3.2 mm) to 1/4" (6.5 mm) lower than the rear tip. If the front tip is higher, this will create a poor quality of cut.



CZ-19

Front to back adjustment

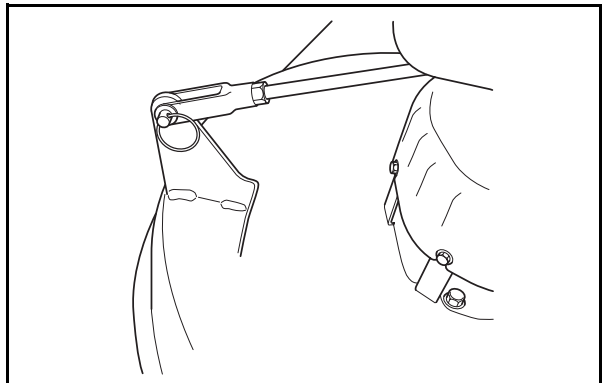


### WARNING!

Blades are sharp. Protect your hands with gloves and/or wrap blades with a heavy cloth when handling.



1. Check blade height with blade facing front to rear. Measure distance "B" at the front and rear tip of the blade.
2. Before making any necessary adjustments, check to make sure that the deck is level side-to-side. See page 48.
3. With the deck in the 4" (100 mm) cutting position, measure the front and rear tip of each blade while facing front to rear.
4. To adjust loosen the jam nut on the yoke, remove the securing ring and push the clevis pin out while supporting the deck. To lower that specific corner, lengthen the rod assembly by turning the yoke counter clockwise. To raise that specific corner, shorten the rod assembly by turning the yoke clockwise.
5. Reinstall clevis pin and recheck dimension.
6. Once front to back adjustment is correct, reinstall securing rings and secure jam nuts.



8011-497

Rear lift linkage

---

# MAINTENANCE

---

## To adjust anti-scalp rollers

Only some 42" deck have anti-scalp rollers.

Anti-scalp rollers are properly adjusted when they are just slightly off of the ground when the deck is at the desired cutting height in the operating position. Anti-scalp rollers then keep the deck in the proper position to help prevent scalping in most terrain conditions.

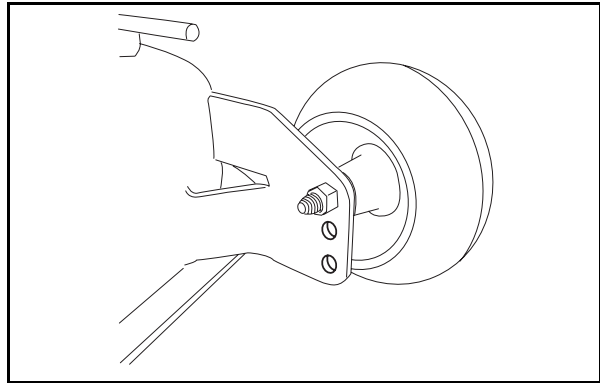
### **IMPORTANT INFORMATION**

**Adjust Anti-scalp rollers with the mower on a flat level surface.**

1. Adjust the deck to the desired cutting height (see "TO ADJUST DECK CUTTING HEIGHT" in the operation section of this manual).
2. Using a 3/4" wrench and a 9/16" wrench, remove the nut and shoulder bolt from the anti-scalp roller.
3. Lower the anti-scalp roller to the ground, and raise it up to the next highest hole.
4. Replace and tighten the nut and shoulder bolt.
5. Be sure to adjust all of the anti-scalp rollers to the same position.
6. Be sure to readjust the anti-scalp rollers if the cutting height is changed.

### **IMPORTANT INFORMATION**

**The anti-scalp rollers must not be used for gauge wheels or the roller and deck may be damaged.**



CZ-9

*Anti-scalp roller*

# MAINTENANCE

## Cleaning and Washing

Regular cleaning and washing, especially under the mower deck, will increase the machine's lifespan. Make it a habit to clean the machine directly after use (after it is cooled), before the dirt sticks.

Do not spray water on the top of the mower deck. Use compressed air to clean the top side of mower deck.



**Use protective glasses when cleaning and washing.**



8011-644

*Cleaning*

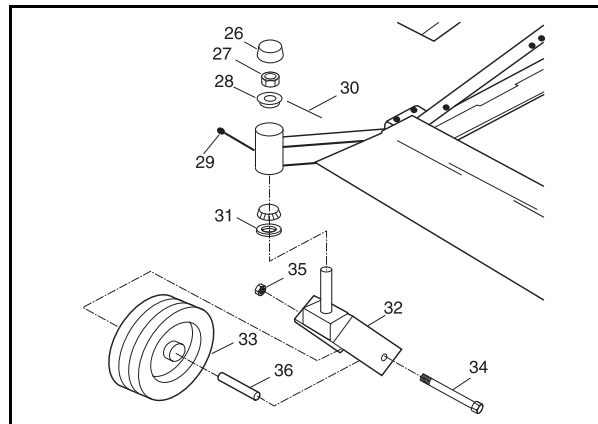
## Caster Wheels

Check every 200 hours. Lift front of unit off of ground so caster wheels can rotate freely. Tighten caster bolt (34) then back off 1/2 turn. Check that wheel rotates freely. If wheel does not rotate freely back the caster bolt off in 1/4 turn increments until wheel rotates freely.

### **IMPORTANT INFORMATION**

**DO NOT add any type of tire liner or foam fill material to the tires. Excessive loads created by foam filled tires will cause premature failures.**

**Only use O.E.M. specified tires.**



8011-619

*Caster wheels*

Foam filled tires or solid tires will void the warranty.

## Hardware

Check daily. Inspect the entire machine for loose or missing hardware.

# LUBRICATION

## Lubrication

### Lubrication Schedule

12/12	1/52	1/365	Z		25h	50h	100h	200h	300h
				1	(2x)				
				2					
				3					

8011-673

#### Lubrication schedule

12/12 Every year

1/52 Every Week

1/365 Every day

Lubricate with grease gun

Oil change

Filter change

Lubricate with oil can

Level check

## General

Remove the ignition key to prevent unintentional movements during lubrication.

When lubricating with an oil can, it must be filled with engine oil.

When lubricating with grease, unless otherwise stated, use a high grade molybdenum disulfide grease.

For daily use, the machine shall be lubricated twice weekly.

Wipe away excess grease after lubrication.

It is important to avoid getting lubricant on the belts or the drive surfaces on the belt pulleys. Should this happen, attempt to clean them with spirits. If the belt continues to slip after cleaning, it must be replaced. Gasoline or other petroleum products must not be used to clean belts.

---

# LUBRICATION

---

## Lubricating the Cables

If possible, grease both ends of the cables and move the controls to end stop positions when lubricating. Refit the rubber covers on the cables after lubrication. Cables with sheaths will bind if they are not lubricated regularly. If a cable binds, it can disrupt operation.

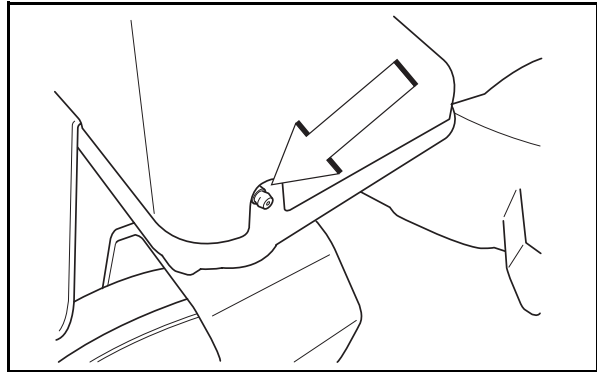
If a cable binds, remove the cable and hang it vertically. Lubricate it with light engine oil until the oil begins to escape from the bottom.

Tip: Fill a small plastic bag with oil and tape it so that it seals against the sheath and allow the cable to hang vertically from the bag overnight. If you do not succeed in lubricating the cable, it must be replaced.

## Lubricating in Accordance with the Lubrication Schedule

### 1. Caster wheels

Lubricate with a grease gun. one zerk for each bearing, two strokes. Use only good quality grease. See General on page page 52.



8011-717

*Caster wheel zerk*

### 2. Engine Oil (Briggs & Stratton)

#### Changing the Engine Oil

The engine oil should be changed for the first time after 5-8 hours of operation. Thereafter, it shall be changed every 50 hours.



#### **WARNING!**

**Engine oil can be very hot if it is drained directly after stopping the engine. Allow the engine to cool somewhat first.**

---

# LUBRICATION

---

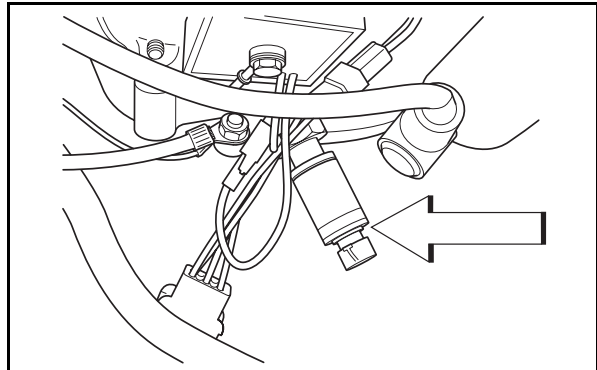
1. Place the machine on a flat surface.
2. Remove the yellow cap and fit a hose to the drain valve.

## IMPORTANT INFORMATION

**Used engine oil is a health hazard and must not be disposed of on the ground or in nature; it should always be disposed of at a workshop or appropriate disposal location.**

**Avoid skin contact; wash with soap and water in case of spills.**

3. Place a container under the engine where the hose from the oil drain valve exits.
4. Remove the dipstick and open the drain valve by turning and pulling out the black sleeve.
5. Allow the oil to run out into the container.
6. Then close the oil drain valve.
7. Remove hose and install the yellow cap. The cap must be installed to stop flow if the valve is opened by mistake.
8. Replace the oil filter if necessary.
9. Fill with new engine oil in accordance with Checking the Oil Level.
10. Start the engine. Run it for a few seconds. Stop and re-check the oil level.



8011-499

*Oil drain valve*



# LUBRICATION

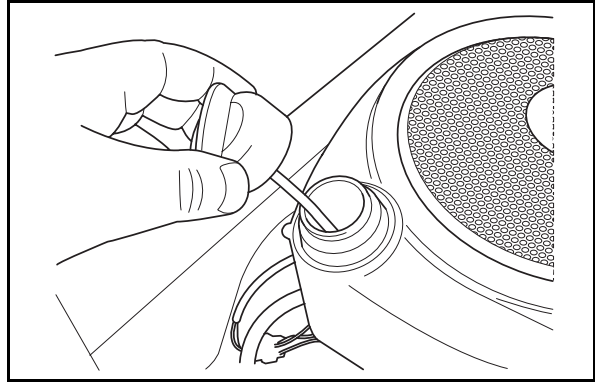
## Checking the oil level

Check the oil level in the engine when the machine is standing level and the engine is stopped.

Remove the dipstick, wipe it clean, and then replace it.

The dipstick should be screwed into place.

Take the dipstick out again and read the oil level.



8011-500

*Remove the dipstick*

The oil level shall lie between the markings on the dipstick. If the level is approaching the "ADD" mark, top up the oil to the "FULL" mark on the dipstick.

Never fill above the "FULL" mark.

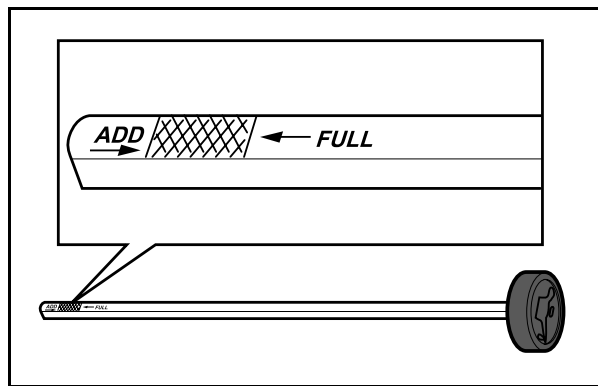
The oil is filled through the hole for the dipstick.

API class SF, SG, SH, SJ or higher must be used

Synthetic oil SAE 5W-30 or 10W30 is recommended at all temperatures.

Mineral oil SAE 5W-30, 10W30 can be used between 0 °F/-18 °C and 40 °F/+5 °C. At temperature above 40 °F/+5 °C single grade SAE 30 must be used.

The engine holds 1.5 quarts gallon (1.4 liters) of oil excluding the filter; including the filter 1.6 quarts gallon (1.5 liters).



8009-159

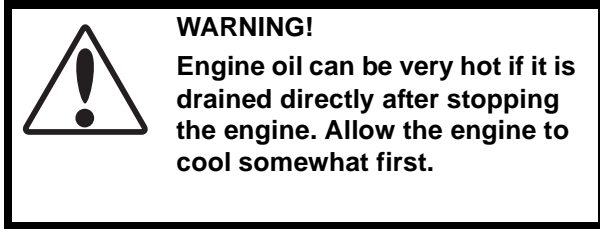
*The dipstick markings*

# LUBRICATION

## 2. Engine oil (Kohler)

### Changing the engine oil

The engine oil should be changed for the first time after 5-8 hours of operation. Thereafter, it should be changed every 50 hours.

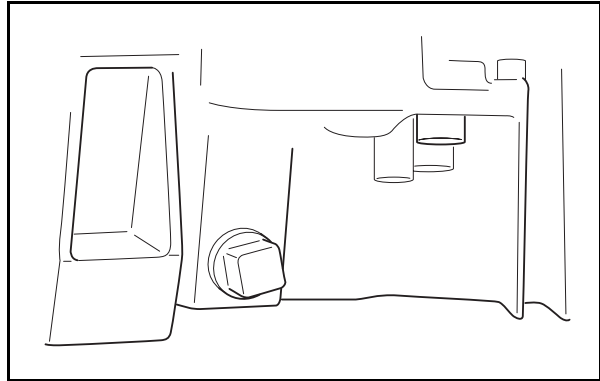


1. Place the machine on a flat surface.
2. Place a container under the engine where the oil drain exits.

### IMPORTANT INFORMATION

Used engine oil is a health hazard and must not be disposed of on the ground or in nature; it should always be disposed of at a workshop or appropriate disposal location.

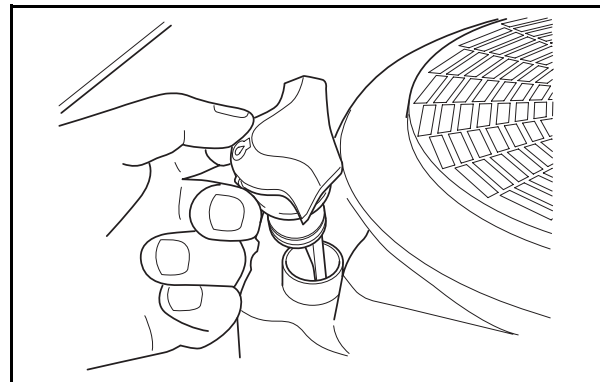
Avoid skin contact; wash with soap and water in case of spills.



8011-740

Oil drain plug Kohler

3. Remove the dipstick and open the drain plug.
4. Allow the oil to run out into the container.
5. Install and tighten the oil drain plug.
6. Replace the oil filter if necessary.
7. Fill with new engine oil in accordance with Checking the Oil Level.
8. Start the engine. Run it for a few seconds and re-check the oil level.



8011-741

Dipstick

# LUBRICATION

## Checking the oil level

Check the oil level in the engine when the machine is standing level and the engine is stopped.

Pull up the dipstick, wipe it clean and then replace it.

The dipstick must be fully pushed down.

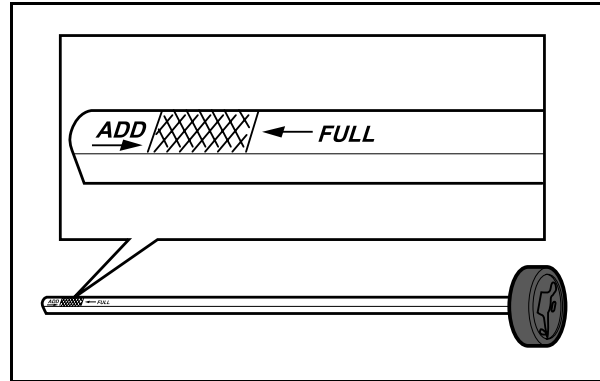
Take the dipstick out again and read the oil level.

The oil level should lie between the markings on the dipstick. If the level is approaching the "ADD" mark, fill with oil to the "FULL" mark on the dipstick.

Never fill to above the "FULL" mark.

The oil is filled through the hole for the dipstick.

API class SF, S6, SH, SJ or higher must be used. Synthetic oil is recommended SAE 5W-20, 5W-30. Mineral oil can be used SAE 10W-30. The engine holds 1.6 qt/1.5 liters excl filter or 1.7 qt/1.6 liters including filter.

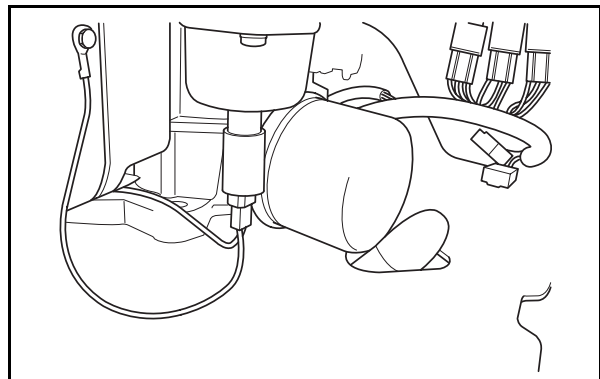


8009-159

The dipstick markings

## 3. Changing the Oil Filter

1. Drain the engine oil following the procedure described in Engine Oil/ Change Engine Oil section.
2. Remove the oil filter. If necessary, use a filter remover.
3. Wipe new, clean engine oil on the seal of the new filter.
4. Mount the filter by hand with + 3/4 turn.
5. Run the engine warm, then check that there are no leaks around the oil filter seal.
6. Check the oil level in the engine, fill if necessary. The oil filter holds 0.1 liters of oil.

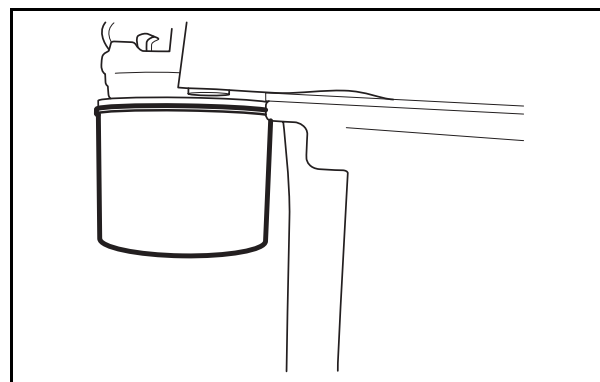


8011-707

Changing the oil filter Briggs & Stratton

## Transmission

The transmission is maintenance free. There is no need for level checks or oil changes. If a leak occurs, replace the unit or contact your Husqvarna dealer.



8011-739

Changing the oil filter Kohler

---

# TROUBLE SHOOTING GUIDE

---

## Trouble Shooting Guide

<b>Problem</b>	<b>Cause</b>
The engine will not start.	<ul style="list-style-type: none"><li>• The blade switch is engaged.</li><li>• The steering controls are not locked in the neutral position.</li><li>• The driver is not sitting in the driver's seat.</li><li>• The parking brake is not activated.</li><li>• The battery is dead.</li><li>• Contamination in the carburetor or fuel line.</li><li>• The fuel supply is closed or the tap for the fuel tanks is in the wrong position.</li><li>• Clogged fuel filter or fuel line.</li></ul>
The starter motor does not turn the engine over.	<ul style="list-style-type: none"><li>• Dead battery.</li><li>• Poor contacts on the battery terminal cable connections.</li><li>• Fuse blown.</li><li>• Ignition system faulty.</li><li>• Fault in the starter motor safety circuit. See Checking the Safety System on page 37.</li></ul>
The engine runs rough.	<ul style="list-style-type: none"><li>• Faulty carburetor.</li><li>• The choke control is pulled out with a warm engine.</li><li>• Defective valves.</li><li>• Defective piston, cylinder, piston ring, or cylinder head seal.</li><li>• The cylinder head bolts are loose.</li><li>• Clogged fuel filter or jet.</li><li>• Clogged ventilation valve on the fuel cap.</li><li>• Fuel tank nearly empty.</li><li>• Defective spark plug.</li><li>• The spark plug is loose.</li><li>• Defective ignition cable.</li><li>• Defective spark plug electrode.</li><li>• Defective spark plug connection.</li><li>• Rich fuel mixture or fuel-air mixture.</li><li>• Wrong fuel type.</li></ul>

---

# TROUBLE SHOOTING GUIDE

---

- Water in the fuel.
- Clogged air filter.

---

The engine seems weak.

- Clogged air filter.
- Defective spark plug.
- Carburetor incorrectly adjusted.

---

The engine overheats.

- Clogged air intake or cooling fins.
- Engine overloaded.
- Poor ventilation around engine.
- Defective engine speed regulator.
- Soot in the combustion chamber.
- Too little or no oil in the engine.
- Defective spark plug.
- Pre-ignition incorrect.

---

Battery not charging.

- Poor contact with battery terminal cable connectors.

---

The machine moves slowly, unevenly,  
or not at all.

- Parking brake on.
- Bypass valve on pump open.
- Drive belt for the transmission gears slack or has come off.

---

Mower deck not engaging.

- Drive belt for the mower deck has come loose.
  - Contact for the electromagnetic coupling has loosened.
  - The blade switch is faulty or has come loose ,from the cable contact.
  - The fuse has blown.
-

---

## TROUBLE SHOOTING GUIDE

---

Uneven mowing results.

- Different air pressure in the tires on the left and right sides.
- Bent blades.
- The suspending for the mower deck is uneven.
- The blades are blunt.
- Driving speed too high.
- The grass is too long.
- Grass collected under the mower deck.

---

The machine vibrates.

- The blades are loose.
  - The blades are incorrectly balanced.
  - The engine is loose.
-

---

# STORAGE

---

## Storage

### Winter Storage

At the end of the mowing season, the machine should be readied for storage (or if it will not be in use for longer than 30 days). Fuel allowed to stand for long periods of time (30 days or more) can leave sticky residues that can foul the carburetor and disrupt engine function.

Fuel stabilizers are an acceptable option as regards sticky residues during storage.

Add stabilizer to the fuel in the tank or in the storage container. Always use the mixing ratios specified by the manufacturer of the stabilizer. Run the engine for at least 10 minutes after adding the stabilizer so that it reaches the carburetor. Do not empty the fuel tank and the carburetor if you have added stabilizer.



#### **WARNING!**

**Never store an engine with fuel in the tank indoors or in poorly ventilated spaces where fuel vapor can come in contact with open flames, sparks, or a pilot light such as in a boiler, hot water tank, clothes drier, etc. Handle the fuel with care. It is very flammable and careless use can cause serious personal injury and property damage. Drain the fuel into an approved container outdoors and far away from open flame. Never use gasoline for cleaning. Use a degreaser and warm water instead.**

To ready the machine for storage, follow these steps:

1. Thoroughly clean the machine, especially under the mower deck. Touch up damage to the paint and spray a thin layer of oil on the underside of the mower deck to avoid corrosion.
2. Inspect the machine for worn or damaged parts and tighten any nuts or screws that may have become loose.
3. Change the engine oil; dispose of properly.
4. Empty the fuel tanks or add a fuel stabilizer. Start the engine and allow it to run until the carburetor is drained of fuel or the stabilizer has reached the carburetor.
5. Remove the spark plug and pour about a tablespoon of engine oil into the cylinder. Turn over the engine so that the oil is evenly distributed and then refit the spark plug.
6. Lubricate all grease zerks, joints, and axles.
7. Remove the battery. Clean, charge, and store the battery in a cool place, but protect it from direct cold.
8. Store the machine in a clean, dry place and cover it for extra protection.

### Service

When ordering spare parts, please specify the purchase year, model, type, and serial number.

Always use genuine Husqvarna spare parts.

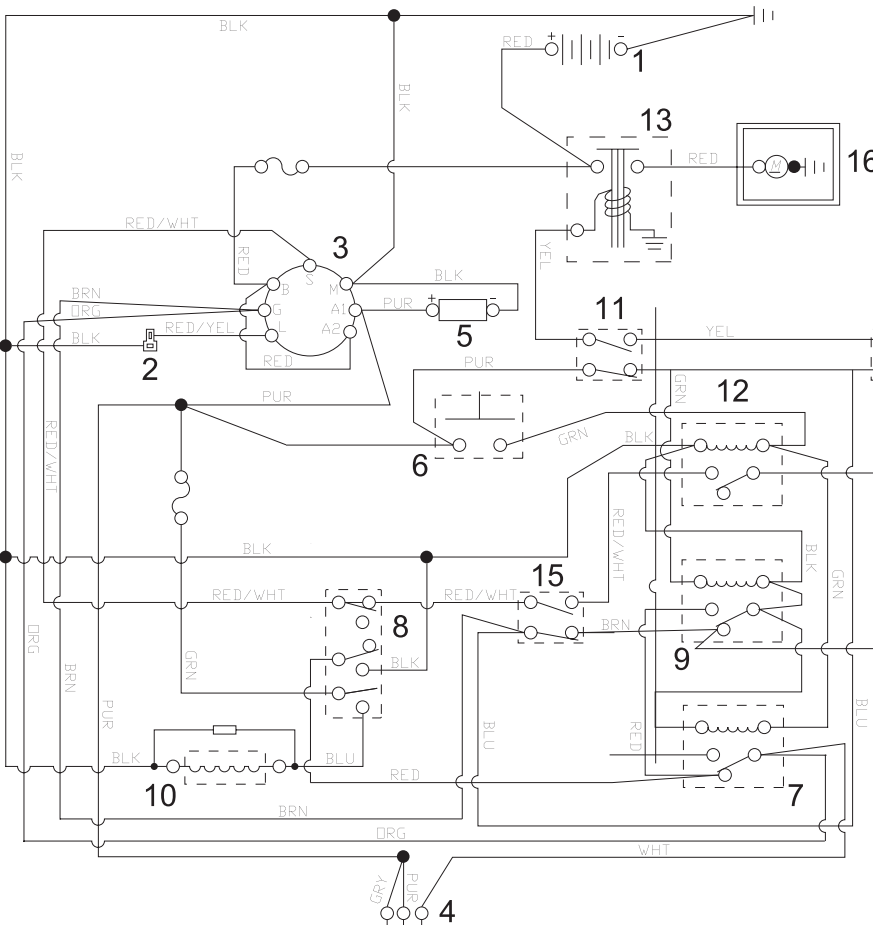
An annual check-up at an authorized service workshop is a good way to ensure that your machine performs its best the following season.

# WIRING DIAGRAMS

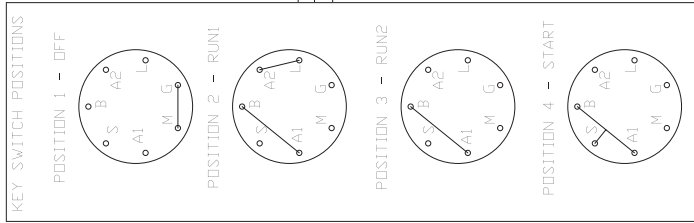
## Wiring diagram

6. Seat unoccupied  
11. Brake switch OFF pos.

8. Blade switch in OFF position  
14-15. Motion control levers OUT



- 1. Battery
- 2. Accessory outlet
- 3. Key switch
- 4. To engine pigtail
- 5. Hour meter
- 6. Seat switch
- 7. Run relay
- 8. Blade switch
- 9. Brake relay
- 10. Electric clutch
- 11. Brake switch
- 12. Start relay
- 13. Starter solenoid
- 14. Left motion control lever
- 15. Right motion control lever
- 16. Starter



- BLK = Black
- BLU = Blue
- BRN = Brown
- GRN = Green
- GRY = Grey
- LT.BLU = Light Blue
- ORG = Orange
- PUR = Purpur
- RED = Red
- WHT = White
- YEL = Yellow
- NO = Normally Open
- NC = Normally Closed
- COM = Common



# TECHNICAL DATA

## Technical Data

	Z3815	Z4218	Z4217
<b>Engine</b>			
Manufacturer	Briggs and Stratton	Kohler	Briggs and Stratton
Type	Intek Single	Courage	Intek single
Power	15 hp / 11 kW	18 hp / 13.4 kW	17.5 hp / 12.9 kW
Lubrication	Pressure with oil filter		
Oil capacity excl filter	1.5 qt / 1.4 liter	1.6 qt / 1.5 liter	1.5 qt / 1.4 liter
Oil capacity incl filter	1.6 qt / 1.5 liter	1.7 qt / 1.6 liter	1.6 qt / 1.5 liter
Engine oil (See viscosity digram)	SAE 5W30, 10W30 Synt. SAE 30 Mineral API SF-SJ	SAE 10W30, 5W20, 5W30 API SF-SJ	SAE 5W30, 10W30 Synt. SAE 30 Mineral API SF-SJ
Fuel	Min 85 octane unleaded (Max methanol 0%, max ethanol 10%, Max MTBE 15%)	Min 85 octane unleaded (Max methanol 0%, max ethanol 10%, Max MTBE 15%)	Min 85 octane unleaded (Max methanol 0%, max ethanol 10%, Max MTBE 15%)
Fuel tank capacity	3 gallon / 11.4 liters	3 gallon / 11.4 liters	3 gallon / 11.4 liters
Spark plugs / gap	Champion RC12YC .030" / 0.75 mm	Champion RC12YC .030" / 0.75 mm	Champion RC12YC .030" / 0.75 mm
Cooling	Air cooled	Air cooled	Air cooled
Air filter	Standard	Standard	Standard
Alternator	12 V 9 A	12 V	12 V 9 A
Starter	Electric	Electric	Electric
<b>Transmission</b>			
Transmission	Dual Hydro Gear IZ transaxles		
Speed and direction controls	Dual levers, foam gripped		
Speed forward	0-6 mph / 0-9.7 km/h	0-6 mph / 0-9.7 km/h	0-6 mph / 0-9.7 km/h
Speed reverse	0-3.5 mph / 0-5.6 km/h	0-3.5 mph / 0-5.6 km/h	0-3.5 mph / 0-5.6 km/h
Brakes	Mechanical parking brake		
Front caster tires, Smooth tread	11x3.5-5, 4 ply	11x3.5-5, 4 ply	11x3.5-5, 4 ply
Rear tires, Turf pneumatic	18x7.5-8	18x8.5-8	18x8.5-8
Tyre pressure, front and rear	15 PSI / 103 kPa / 1 bar	15 PSI / 103 kPa / 1 bar	15 PSI / 103 kPa / 1 bar

# TECHNICAL DATA

	Z3815	Z4218	Z4217
<b>Equipment</b>			
Cutting width	38" / 96.5 cm	42" / 107 cm	42" / 107 cm
Cutting height	1.5"- 4" / 3.8 - 10.2 cm	1.5"- 4" / 3.8 - 10.2 cm	1.5"- 4" / 3.8 - 10.2 cm
Uncut circle	0	0	0
Number of blades	2	2	2
Blade length	19 1/4" / 489 mm	21" / 533 mm	21" / 533 mm
Nose rollers	None	Optional	Optional
Sprung standard seat	Standard	Standard	Standard
Hinged armrests	No	No	No
Hour meter	Standard	Standard	Standard
Blade engagement	85 ft/lb Warner	85 ft/lb Warner	85 ft/lb Warner
Deck construction	12 gauge, stamped steel	12 gauge stamped steel	12 gauge, stamped steel
<b>Productivity</b>			
Productivity	1.9 acres /h 7695 m <sup>2</sup> /h	2,1 acres/h 8505 m <sup>2</sup> /h	2,1 acres/h 8505 m <sup>2</sup> /h
Overall dimensions			
Weight	460 lbs / 209 kg	485 lbs / 220 kg	485 lbs / 220 kg
Base machine length	72" / 183 cm	72" / 183 cm	72" / 183 cm
Base machine width	39" / 99 cm	43" / 109 cm	43" / 109 cm
Base machine height	41" / 104 cm	41" / 104 cm	41" / 104 cm
Overall width, Chute up	39" / 99 cm	43" / 109 cm	43" / 109 cm
Overall width, Chute down	48" / 122 cm	52" / 132 cm	52" / 132 cm

---

# TECHNICAL DATA

---

## Accessories

Head lights

BioClip attachment (Mulch clip)

Collection system

Utility box

## Torque Specifications

·Engine crankshaft bolt	50 ft/lb (67 Nm)
·Deck pulley bolts	45 ft/lb (61 Nm)
·Lug nuts	75 ft/lb (100 Nm)
·Blade bolt	27-35 ft/lb (35-45 Nm)
·Standard ¼" fasteners	9 ft/lb (12 Nm)
·Standard 5/16" fasteners	18 ft/lb (25 Nm)
·Standard 3/8" fasteners	33 ft/lb (44 Nm)
·Standard 7/16" fasteners	52 ft/lb (70 Nm)
·Standard ½" fasteners	80 ft/lb (110 Nm)

When this product is worn out and no longer used, it shall be returned to the reseller or other party for recycling.

**In order to implement improvements, specifications and designs can be altered without prior notification.**

**Note that no legal demands can be placed based on the information contained in these instructions.**

**Use only original parts for repairs. The use of other parts voids the warranty.**

**Do not modify or install non-standard equipment to the unit without consent from the manufacturer. Modifications to the unit may cause unsafe operation or damage the unit.**

---

# CONFORMITY CERTIFICATES

---

## Conformity Certificates

### USA requirements

Labels are placed on the engine and/or in the engine compartment stating that the machine will fulfill the requirements. This is also applicable to special requirements for any of the states, (Californian emission rules etc.). Do not remove any of these labels. Certificates can also be supplied with the machine at delivery or written in the Engine manual. Take care of them as valuable documents.

# SERVICE JOURNAL

## Service Journal

Action	Date, mtr reading, stamp, sign
<b>Delivery Service</b>	
1. Charge the battery.	<input type="checkbox"/>
2. Adjust the tire pressure of all wheels to 1 bar (15 PSI).	<input type="checkbox"/>
3. Mount the steering controls in the normal position.	<input type="checkbox"/>
4. Connect the to the cables for the seat's safety switch.	<input type="checkbox"/>
5. Check that the right amount of oil is in the engine.	<input type="checkbox"/>
6. Adjust the position of the steering controls.	<input type="checkbox"/>
7. Fill with fuel.	<input type="checkbox"/>
8. Start the engine.	<input type="checkbox"/>
9. Check that there is drive to both wheels.	<input type="checkbox"/>
10. Check the mower deck adjustment.	<input type="checkbox"/>
11. Check:	
The safety switch for the parking brake.	<input type="checkbox"/>
The safety switch for the mower deck.	<input type="checkbox"/>
The safety switch in the seat.	<input type="checkbox"/>
The safety switch in the steering controls.	<input type="checkbox"/>
Parking brake functionality.	<input type="checkbox"/>
Driving forward.	<input type="checkbox"/>
Driving backward.	<input type="checkbox"/>
Engaging the blades.	<input type="checkbox"/>
12. Check the idle speed.	<input type="checkbox"/>
13. Check the engine high idle speed.	<input type="checkbox"/>
14. Inform the customer about:	
The need and advantages of following the service schedule.	Delivery service has been carried out.
The need and advantages of leaving the machine for service every 300 hours.	No remaining notes.
The effects of service and maintaining a service journal on the machine's resale value.	Certified:
Application areas for Mulching.	
15. Fill in the sales papers, etc.	

---

# SERVICE JOURNAL

---

<b>After the First 5-8 Hours</b>	<input type="checkbox"/>
----------------------------------	--------------------------

1. Change engine oil.

---

# SERVICE JOURNAL

---

Action	Date, mtr reading, stamp, sign
<p><b>25-Hour Service</b></p> <ol style="list-style-type: none"><li>1. Sharpen/Replace mower blades if required.</li><li>2. Lubricate the caster wheels.</li><li>3. Check the tire pressures.</li><li>4. Check battery with cables.</li><li>5. Check/clean the engine's cooling air intake.</li><li>6. Clean the air cleaner's pre-filter (foam).</li></ol>	

---

# SERVICE JOURNAL

---

Action	Date, mtr reading, stamp, sign
<p><b>50-Hour Service</b></p> <ol style="list-style-type: none"><li>1. Perform the 25-hour service.</li><li>2. Clean/replace the air cleaner's filter cartridge (paper filter) (shorter intervals for dusty operating conditions).</li><li>3. Change the engine oil.</li><li>4. Inspect muffler/spark arrester.</li><li>5. Check/adjust the parking brake.</li></ol>	



---

# SERVICE JOURNAL

---

Action	Date, mtr reading, stamp, sign
<p><b>100-Hour Service</b></p> <ol style="list-style-type: none"><li>1. Perform the 25-hour service.</li><li>2. Perform the 50-hour service.</li><li>3. Change the engine oil filter.</li><li>4. Clean/replace the spark plug.</li><li>5. Clean the cooling fins on the engine and transmission.</li><li>6. Check V-belts.</li><li>7. Check tighten caster wheel axle bolts (every 200 hours).</li><li>8. Change the air filter's paper cartridge.</li></ol>	

---

# SERVICE JOURNAL

---

Action	Date, mtr reading, stamp, sign
<p><b>300-Hour Service</b></p> <ol style="list-style-type: none"><li>1. Inspect the machine. Come to agreement with the customer as to which additional work is to be carried out.</li><li>2. Perform the 25-hour service.</li><li>3. Perform the 50-hour service.</li><li>4. Perform the 100-hour service.</li><li>5. Check/adjust the mower deck.</li><li>6. Clean the combustion chamber and grind the valve seats.</li><li>7. Check the engine valve clearance.</li><li>8. Replace the air cleaner's pre-filter (foam).</li></ol>	

---

# SERVICE JOURNAL

---

Action	Date, mtr reading, stamp, sign
<p><b>At Least Once Each Year</b></p> <ol style="list-style-type: none"><li>1. Clean the engine's cooling air intake (25 hours).</li><li>2. Replace the air cleaner's pre-filter (Oil-foam) (300 hours).</li><li>3. Replace the air filter's paper cartridge.</li><li>4. Change the engine oil (50 hours).</li><li>5. Replace the engine oil filter (100 hours).</li><li>7. Check/adjust the cutting height.</li><li>8. Check/adjust the parking brake (50 hours).</li><li>9. Clean/Change the spark plug (100 hours).</li><li>11. Clean the cooling fins (100 hours).</li><li>12. Check the engine valve clearance.</li><li>13. Perform the 300-hour service at an authorized service workshop.</li></ol>	

