

Operators manual



Please read these instructions carefully and make sure you understand them before using the machine.

Models:

968999114 / W3213

968999116 / W3613

968999251 / W4815

968999278 / WG4815P

TABLE OF CONTENTS

SAFETY :

- Training
- Preparation
- Operation
- Maintenance

EQUIPMENT SETUP AND ADJUSTMENTS :

- Front casters
- Axle adjustment
- Cutting height chart
- Brake adjustment
- Operator presence switches
- Belt adjustments

OPERATING INSTRUCTIONS :

- Emergency stopping
- Normal stopping
- Pre-start
- Operating instructions

SERVICE :

- Interlock system
- Cutting deck
- Cutter housing
- Belt replacement
- Winter storage
- Maintenance chart

INTRODUCTION

This manual has been prepared for the operators of the HUSQVARNA 32", 36" commercial mowers. Read, understand, and follow the safety and operating instructions.

Always stop the engine and blades, place the traction levers in drive, and place the mower in gear when leaving unattended.

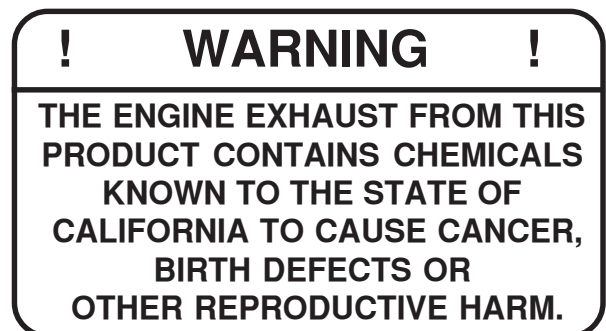
The steering system of this mower uses individual right and left traction levers on the handle bars. Squeezing the traction lever will reduce tension on the wheel drive belt eliminating power to that wheel. With the opposite wheel still under power a turn is accomplished. If the traction lever is squeezed even tighter the brake will be applied to that wheel and a tighter more abrupt turn is accomplished. **LEARN HOW TO USE THESE IMPORTANT STEERING/ BRAKE CONTROLS!**

As an additional safety feature, these mowers are equipped with an Operators Presence System. This is an electrical interlock safety system which is activated by depressing either one or both of the Operator Presence Levers above the handle grips. Releasing both Operators Presence Levers while mowing or transporting will break the electrical circuit and cause the engine and mower to stop. The mower will not stop immediately after releasing the O.P. levers, some travel does occur.

TECHNICAL ASSISTANCE

If you have any questions pertaining to your mower contact your dealer. To locate the nearest dealer please call 1-800-HUSKY-62.

For technical assistance please write: Husqvarna, 7349 Statesville Road, Charlotte, NC, 28269 or call: 1-800-HUSKY-MD.



Thank you for buying an **HUSQVARNA!** Before operating your new mower, read, understand and follow the important safety instructions and the other instructions contained in this manual. Lawnmowers and all power equipment, can be potentially dangerous if used improperly. **SAFETY REQUIRES GOOD JUDGEMENT, CAREFUL USE IN ACCORDANCE WITH INSTRUCTIONS AND COMMON SENSE.**

Safety

WARNING: Failure to comply with the following instructions may result in serious injury to the operator or other persons. The owner must understand these instructions, and must allow only persons who understand these instructions to operate the mower. Each person operating the mower must be of sound mind and body and must not be under the influence of any mind altering substance.

TRAINING

1. Read this manual carefully and question your dealer if something is not clear. Should the dealer be unable or unavailable to answer your questions, call or write our factory.
2. Be thoroughly familiar with the controls and proper use of the equipment.
3. **DO NOT** allow children in the yard or area when the mower is operating.
4. **DO NOT** allow pre-teenage children to operate mower.
5. Allow only responsible teenagers with mature judgment to operate mower and only when being supervised.
6. Keep the area clear of all persons, particularly small children and pets.

PREPARATION

1. The use of personal protective equipment, such as (but not limited to) protection for the eyes, ears, feet and head is highly recommended.
2. Never operate the mower without proper guards, covers, safety switches and devices in place and properly functioning. Inspect to determine that these safety devices are installed properly, are in good condition and operate properly. If the condition of any of these devices is questionable, they must be replaced or repaired before using the mower.
3. Thoroughly inspect the area and remove all stones, sticks, wire and other debris. Also note other possible hazards such as holes, stumps, sprinkler heads etc..
4. Do not operate the mower when barefoot or wearing open shoes. Always wear substantial footwear and long pants.
5. Fill gasoline tank before starting the engine. Only use an approved gasoline container. Do not smoke near open gasoline containers. Do not fill gasoline tank indoors or when engine is running or hot. Wipe off any spilled gasoline before starting engine.
6. Never attempt to make any adjustments (even the smallest) when engine is running.
7. Mow only in daylight or good artificial light.
8. Never operate mower in wet grass. Always be sure of your footing; keep a firm grip on the handle and walk, never run.

OPERATION

1. Do not change engine governor settings or over speed the engine.
2. Keep hands, feet, and clothing away from rotating parts when operating mower.
3. Disengage blade drive when crossing gravel drives, walks, roads or under any condition where thrown objects might be a hazard.
4. After striking a foreign object or if mower vibrates abnormally, stop the engine and disconnect the spark plug. Inspect the mower for any damage and repair the damage.
5. Stop the engine and wait for the blades to stop rotating whenever you leave the operating position for any reason, including emptying the grass catcher or making any adjustments or repairs.
6. Mow across slopes, never up and down. Use caution when changing direction on slopes. Always turn uphill. Do not mow very steep slopes. Do not use sully on any slopes.
7. When parking mower, stop engine and leave drive levers down in DRIVE position with transmission in gear to prevent rolling. Never park mower on a slope.
8. **NEVER OPERATE THIS EQUIPMENT, WITH ENGINE RUNNING, IN AN ENCLOSED OR CONFINED AREA WITHOUT PROPER VENTILATION OF THE ENGINE EXHAUST.**

MAINTENANCE

1. Keep all nuts, bolts, and screws tight to keep mower in safe operating condition.
2. Never store the mower with gas in the tank inside a building where fumes can reach an open flame or spark. Allow engine to cool before storing in an enclosure.
3. To reduce fire hazard, keep mower free of grass, leaves, or excessive grease.
4. Check grass catcher assembly frequently for wear or deterioration. Replace bag if loose seams or tears are evident.
5. Have your mower inspected and serviced each year by an authorized HUSQVARNA dealer. Determine if any additional devices are available which might upgrade the safety of your mower.
6. Use only authentic HUSQVARNA replacement parts to insure the safety and quality of your mower is maintained.
7. Safety decals should be replaced if they are missing or illegible. Decals may be purchased from your HUSQVARNA dealer.

Setup & Adjustments

FRONT CASTER WHEELS

1. Mount front caster wheel assemblies. Installation includes fastening casters to front of the cutter deck using 3/8 x 1" hex head capscrews.

FUEL TANK

1. Mount fuel tank to tank support. Secure with the two tank straps, four 1/4" bolts, and four 1/4" nuts. Tighten until snug, but do not over tighten or crush the tank.

HANDLE ASSEMBLY

1. Align the upper mounting holes in handle with the upper hole in the tank support.
2. Install two 3/8" x 1" screws through matched holes and loosely install 3/8" nuts.
3. Align the lower holes and install hardware as above, tighten upper and lower hardware.

LINKAGE INSTALLATION

1. Install traction linkage to swivels in bellcrank mounted to the tank support on each side of the mower. Traction linkages are located on the upper handle, fastened to the traction levers. To fasten linkage to swivel, first disconnect linkage from traction levers, then screw linkage into swivel. Reassemble linkage into traction lever.
2. Install shifter to transmission with 1/4" x 1" screws. The shifter is located in the inner box and hardware is pre-assembled into the bracket on the transmission.
3. Install blade control rod into the bellcrank on the left side of the tank support. Secure rod with ring type retainer.
4. Refer to the section of this manual on adjustments for the proper adjustment of the linkages you are installing. The linkages were set at the factory but must be checked before operating mower to insure of the proper setting. Always check 100% of the adjustments before you operate the mower.
5. Connect the two halves of the wiring harness together. The four prong connectors have a locking tab that shows which way to line them up and guarantees that they are connected properly when the lock snaps.
6. Install the chute deflector to the side of the mower deck. Bolt it into place using the two 5/16" x 1" screws and nuts pre-assembled into the mounting tabs on the deck. Tighten the screws very securely with the chute completely covering the discharge opening and tight against the side of deck.

THROTTLE INSTALLATION

1. Connect the throttle cable end to the throttle mechanism on engine, leaving the cable clamp loose. Push throttle lever on console completely forward. Then pull the cable through the clamp on engine and tighten the cable clamp. Move the throttle lever back and forth to ensure proper installation.

GAS LINE INSTALLATION

1. The gas line is factory installed on the engine. Attach loose end to fuel tank hose barb and secure with hose clamp.

POSITIONING THE FRONT CASTER SPACERS

1. Using the cutting height chart, find the correct number of spacers to be placed under the caster swivel.

2. Remove the lynch pin and washer from the top of caster and reposition spacers to the desired cutting height from the chart. See figure # 2

AXLE HEIGHT ADJUSTMENT

1. To adjust rear axle, stop engine and place drive levers in the neutral lock position, remove spark plug wire.

2. Remove lower belt shield from underside of rear deck for better access to axle adjustment bolts.

3. Loosen axle pivot bolts and axle adjustment bolts. See figure # 1.

4. Place a jack under center of rear deck raise the jack slightly so axle adjustment bolts may be removed.

5. With the jack raise or lower the rear deck to the desired position using the chart to ensure proper height. Reinstall the axle adjustment bolts and tighten. A tapered punch may be used to help align the holes. See figure #1.

NOTE:

It may be necessary to readjust drive and brake linkages.

NOTE:

To achieve the best quality cut, the blades should be level with the ground or slightly tipped forward

Setup & Adjustments

REAR AXLE HEIGHT ADJUSTMENT

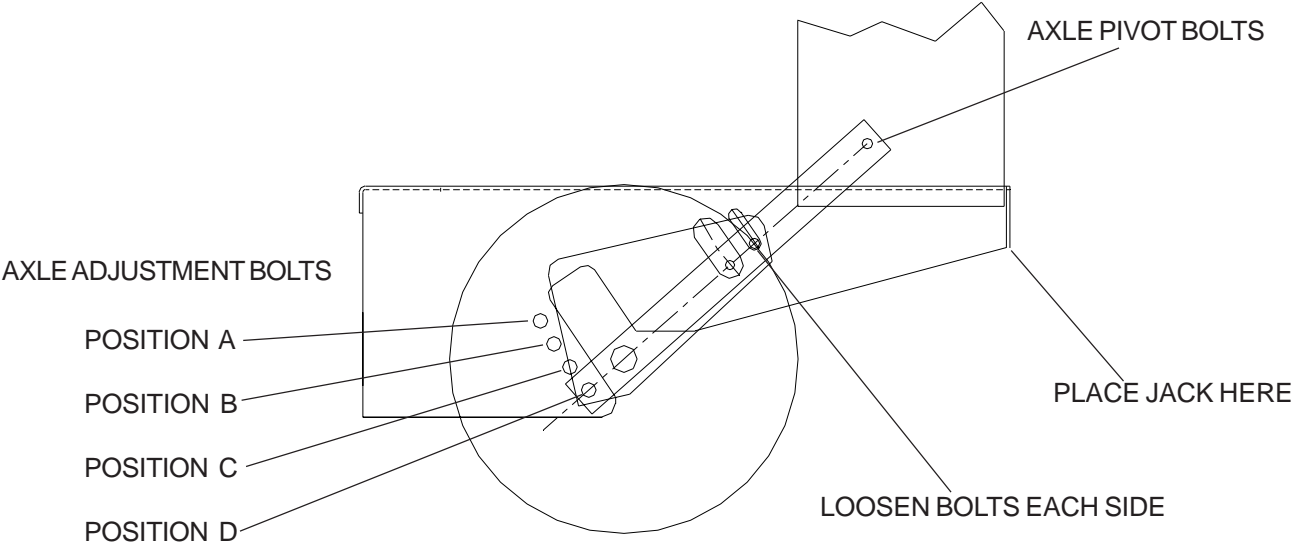


Figure 1

CASTER HEIGHT ADJUSTMENT

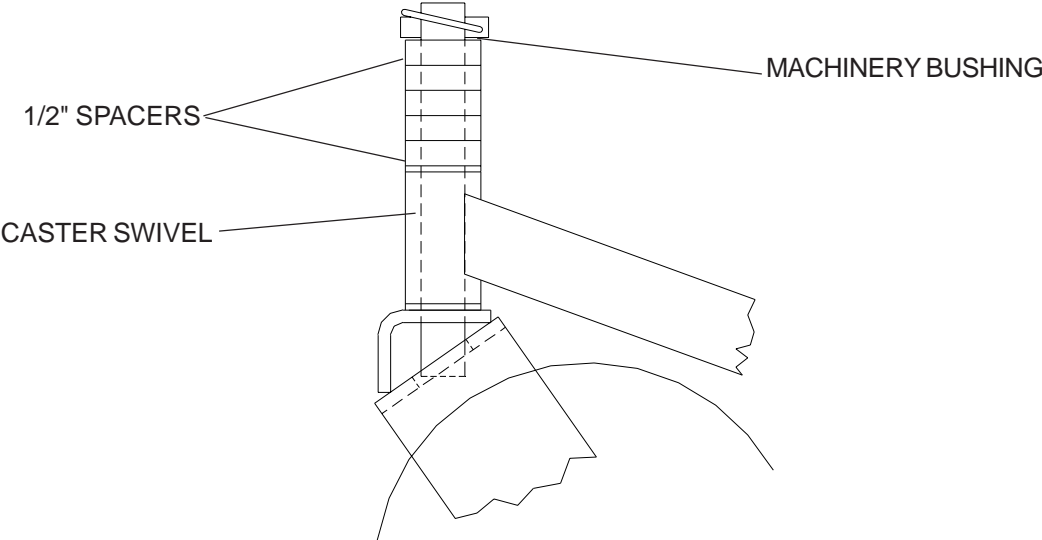


Figure 2

Setup & Adjustments

CUTTING HEIGHT ADJUSTMENT CHART

| AXLE POSITION | NUMBER OF SPACERS BELOW CASTER ARM | NUMBER OF 1/4" BLADE SPACERS UNDER CUTTER HOUSING | CUTTING HEIGHT (IN INCHES) |
|---------------|------------------------------------|---------------------------------------------------|----------------------------|
| A | 0 | 4 | 1 1/2 |
| | | 3 | 1 3/4 |
| | | 2 | 2 |
| | | 1 | 2 1/4 |
| | | 0 | 2 1/2 |
| | 1 | 4 | 1 3/4 |
| | | 3 | 2 |
| | | 2 | 2 1/4 |
| | | 1 | 2 1/2 |
| | | 0 | 2 3/4 |
| B | 2 | 4 | 2 1/2 |
| | | 3 | 2 3/4 |
| | | 2 | 3 |
| | | 1 | 3 1/4 |
| | | 0 | 3 1/2 |
| | 3 | 4 | 3 |
| | | 3 | 3 1/4 |
| | | 2 | 3 1/2 |
| | | 1 | 3 3/4 |
| | | 0 | 4 |
| C | 3 | 4 | 3 1/4 |
| | | 3 | 3 1/2 |
| | | 2 | 3 3/4 |
| | | 1 | 4 |
| | | 0 | 4 1/4 |
| | 4 | 4 | 3 1/2 |
| | | 3 | 3 3/4 |
| | | 2 | 4 |
| | | 1 | 4 1/4 |
| | | 0 | 4 1/2 |
| D | 4 | 4 | 3 3/4 |
| | | 3 | 4 |
| | | 2 | 4 1/4 |
| | | 1 | 4 1/2 |
| | | 0 | 4 3/4 |
| | 5 | 4 | 4 |
| | | 3 | 4 1/4 |
| | | 2 | 4 1/2 |
| | | 1 | 4 3/4 |
| | | 0 | 5 |

1. To quickly achieve small changes in cutting heights, move the spacers from under the cutter housing to above the cutter pulley. (Each spacer moved will give an additional 1/4" of cutting height).

USE ONLY 4 BLADE SPACERS MAXIMUM

Setup & Adjustments

BRAKE / TRACTION ADJUSTMENT

1. Disconnect the brake linkage from the brake band arm.
2. With the mower in gear, place the traction levers in the drive position. Firmly pull back on the handles until the tires slide to seat the wheel drive belts into the pulleys.
3. Measure the clearance between the bottom of the traction lever rod and the bottom of the thumb latch slot. It should be between 3/16" to 1/4", but not exceeding 1/4". See Figure # 3

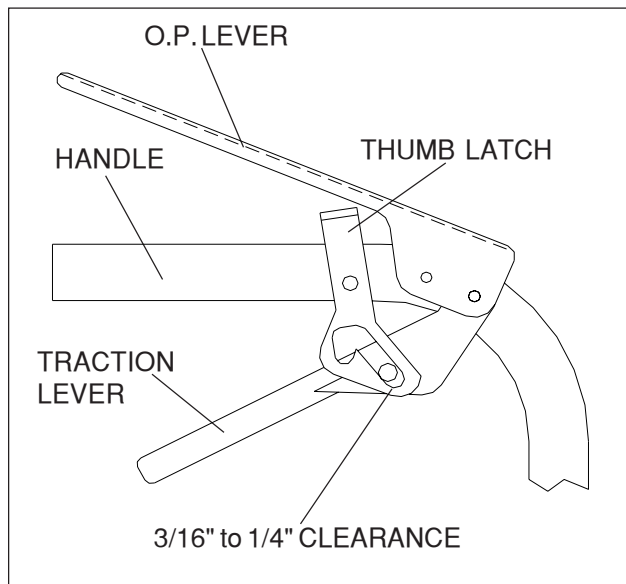


Figure 3

4. If the clearance is less than 3/16", disconnect the traction rod from the traction lever by removing the hairpin cotter.
5. Adjust the traction rod to the proper clearance by screwing it out of the swivel if clearance is less than 3/16".

NOTE:

More or less brake pressure may be desired depending on the operator or conditions of operation. To increase pressure tighten the wing nut on the brake linkage.

OPERATOR PRESENCE SWITCH ADJUSTMENT

The operator presence switches can be adjusted by loosening the screws on the side of the O.P. lever linkage and sliding the switch up or down. The O.P. switch should have a 1/32" to 1/16" gap between the plunger and the bottom side of the control panel when operator presence levers are released.

BLADE SWITCH ADJUSTMENT

The blade engagement switch can be adjusted by loosening the screws on the flange under the control panel and moving the switch in or out. The blade switch should be adjusted so the plunger is fully depressed when the engagement lever is fully disengaged.

ADJUSTMENTS - DRIVE BELTS

For all drive belts, tension should be set so that belt vibration is minimized or eliminated when belts are moving during normal operation. A properly tensioned belt should have 1/4" to 3/8" deflection at the center of belt span between pulleys when blades are engaged. Blade drive belt tension is preset at the factory.

NOTE:

DO NOT over tighten belt. Excessive tension will decrease belt and spindle bearing life.

BLADE DRIVE BELT ADJUSTMENTS

WARNING
BEFORE PERFORMING ADJUSTMENTS ON BLADE BELT, TURN MOWER OFF, CLOSE FUEL VALVE, AND DISCONNECT SPARK PLUG WIRE.

1. Remove front deck belt shield.
2. Loosen whiz nut on turnbuckle.
3. Set belt tension when engagement lever is in the engaged position.
4. To increase belt tension rotate turnbuckle toward the rear of the mower until desired tension is gained. Do not over tighten belts, too much tension will reduce belt and spindle bearing life. See figure # 6
5. Tighten whiz nut on turnbuckle and install belt shield.

AUXILIARY BLADE DRIVE BELT (48" MODELS ONLY)

To adjust tension of the auxiliary belt rotate nut on linkage that is attached to deck strap located on the right side of cutter deck.

Setup & Adjustments

TRANSMISSION DRIVE BELT

To increase the tension of the transmission belt, loosen the nut on the underside of the transmission idler pulley located under the rear deck, slide the idler assembly inward to increase tension and tighten the nut to secure. See figure 4 & 5.

BELT GUIDES

Belt guides under rear deck are adjusted as shown in figure 4 & 5.

NOTE: The blades should come to a stop from maximum speed within 7 seconds after disengaging.

BLADE ENGAGEMENT LEVER

The blade engagement lever needs to be adjusted so the lever does not come in contact with control panel when the lever is in the off position.

To adjust, remove the clevis pin from the yoke and adjust by turning the yoke. The clevis pin connects the blade engagement lever to the yoke, and the yoke is connected to the blade engagement rod that runs to the bellcrank on the rear deck.

32" & 36" MODEL

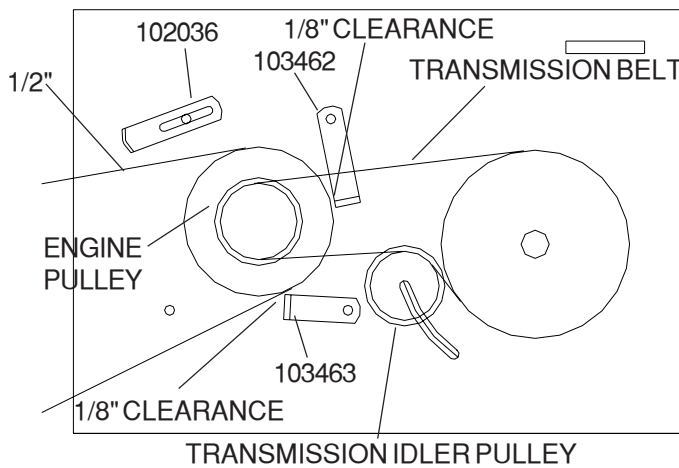


Figure 4

48" MODEL

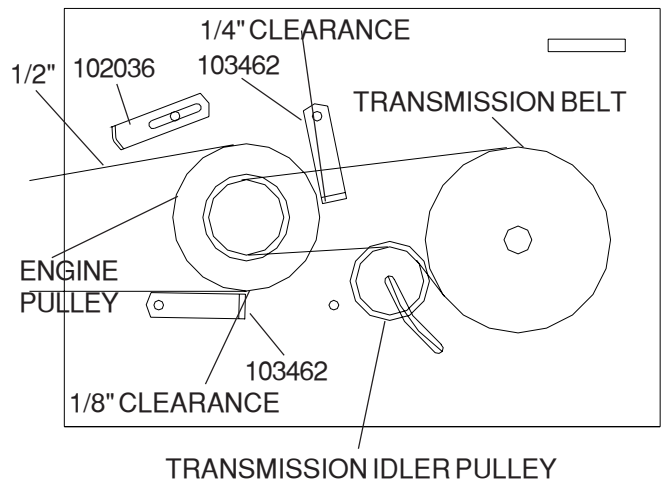


Figure 5

AUXILIARY BELT ADJUSTMENT ROD

TURNBUCKLE

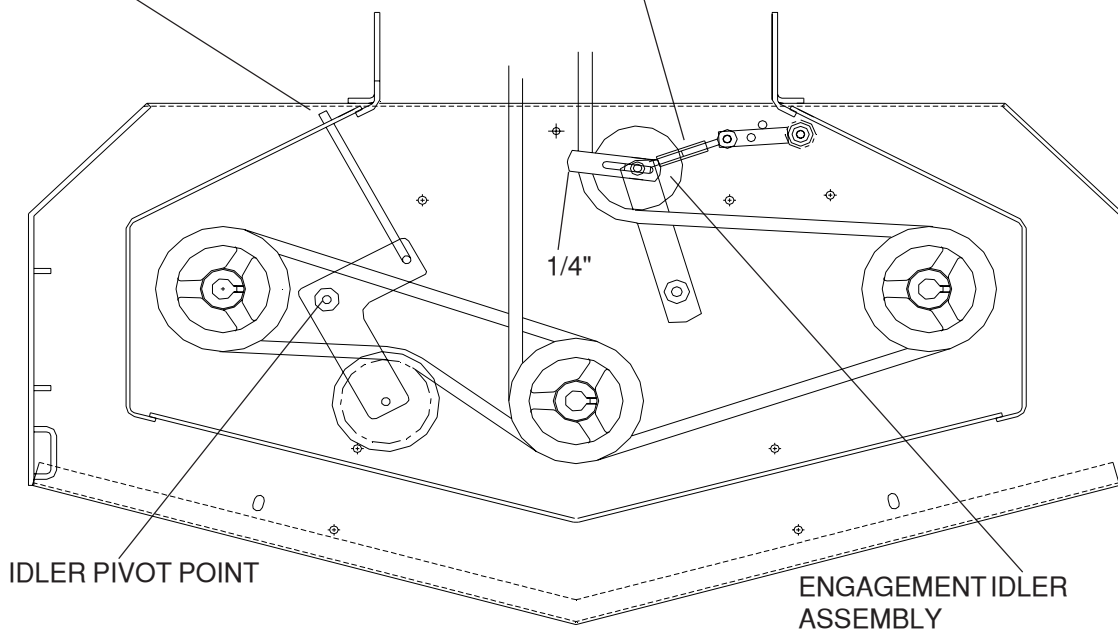


Figure 6

Operating Instructions

BEFORE OPERATING

Be thoroughly familiar with all controls and how to use them before operating the mower. Know beforehand how to stop the engine, drive wheels, and mower blades in preparation for possible emergency.

EMERGENCY STOP

Pull both traction levers firmly against handle grips and hold them securely in place. Use thumb latches to lock both traction levers in neutral position, then stop engine by pulling throttle control back to the off position. See figure # 7.

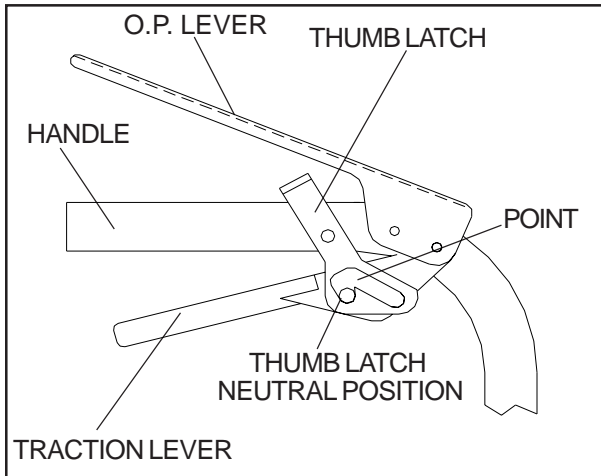


Figure 7

NORMAL OPERATING STOP

1. Pull both traction levers firmly toward the handle grips to stop forward motion.
2. Use thumb latches to lock traction levers in the neutral position.
3. Move the throttle control to the slow position.
4. Move blade engagement lever to the off position.
5. Move shift lever to the neutral position.
6. Stop engine by pulling throttle control lever all the way back to the off position.

NOTE
CLOSE FUEL VALVE AT THE END OF EACH MOWING JOB !!

PRE-START CHECKLIST

Make the following checks and perform the services as required before each start up.

1. If required make cutting height adjustments and drive linkage adjustments. Refer to pages 5 and 6
2. Check tires for proper inflation (front caster tire pressure to be 50 lbs max. / rear tire pressure to be 14 lbs max.
3. Check guards, deflectors, and covers to make sure all are in place and secure.
4. Check blade belts for wear and correct tension if worn or damaged, replace with original part.
5. Clean interior and exterior surfaces of the cutting deck and clean engine of any accumulation of dirt or debris. Keep engine air intake clear at all times.
6. Check engine oil add if needed (do not overfill) refer to engine manual for oil specs.
7. Add fuel to tank after pushing the mower outside where fumes can dissipate. Make sure cap is tight after refueling.

NOTE
DO NOT ADD FUEL WHILE ENGINE IS RUNNING OR WHILE ENGINE IS HOT.

NOTE
USE FRESH, CLEAN, LEAD FREE GASOLINE. DO NOT USE GASOLINE THAT HAS BEEN STORED FOR LONG PERIODS. LEADED GASOLINE OR GASOHOL IS NOT RECOMMENDED.

STARTING AND OPERATING

ENGINE: START ENGINE AS FOLLOWS:

1. Move blade engagement lever to the off position so the interlock will allow engine to start.
2. Check gear shifter to be sure it is in the neutral position.
3. While on level terrain, lock both traction levers into the neutral position.
4. Open fuel shut-off valve
5. Set throttle control all the way forward to the choke position.

Operating Instructions

6. Pull starter rope until engine starts.

7. Warm engine momentarily, then move the throttle control out of the choke position until engine runs smoothly, approximately 1/2 throttle. Engage the blades and set the desired rpm. The best cutting and bagging is obtained with engine at or near top rpm.

NOTE: DO NOT engage the blades at full rpm. To extend belt life engage and disengage belts at 1/2 throttle.

8. Depress one operator presence lever and shift transmission to the desired gear.

9. Unlock the traction levers by pushing the thumb latches forward. Slowly release both traction levers at the same time to begin forward motion.

10. The steering system of this mower uses individual right and left traction levers on the handle bars. Squeezing the traction lever will reduce tension on the wheel drive belt eliminating power to that wheel. With the opposite wheel still under power a turn is accomplished. If the traction lever is squeezed even tighter the brake will be applied to that wheel and a tighter more abrupt turn is accomplished. - turn left by squeezing the left hand traction lever or turn right by squeezing the right hand traction lever. If you squeeze both levers the mower will stop.

Service

SERVICE ASSISTANCE - REPLACEMENT PARTS

To retain the quality of your mower, use genuine HUSQVARNA replacement parts only. Contact your local HUSQVARNA dealer for parts and service assistance. For the correct part or information for your particular mower, always mention model and serial number. We recommend returning your mower to an authorized HUSQVARNA dealer on a yearly basis for inspection and addition of any new devices which might upgrade the performance and safety of your mower. For engine parts and service, look in the yellow pages for the engine manufacturer's dealers under the heading engines - gasoline.

WARNING
BEFORE PERFORMING SERVICE ON THE MOWER TURN ENGINE OFF, CLOSE THE FUEL VALVE, AND DISCONNECT THE BATTERY AND ALLOW ENGINE TO COOL. DISCONNECT THE SPARK PLUG WIRE. IF THE MOWER IS TO BE RAISED OR TILTED, MAKE SURE TO SECURE THE MOWER IN PLACE.

NOTE
ALL MOWERS SHOULD BE TILTED WITH THE CARBURETOR SIDE UP

MODULE SYSTEM

The interlock modules function is to prevent the engine from starting if the blade and/or traction systems are engaged. It also causes engine shut-down if the operator falls from, or attempts to leave the operator position while the blades or traction drives are engaged. After the engine starts, the operator must hold either the left or right O.P. lever down before engaging the blades or shifting the transmission into gear. If neither O.P. lever is held the engine will stop.

INTERLOCK SAFETY SYSTEM

Check the function of the safety electrical system on a regular basis.

1. Engine must kill if blades are engaged without O.P. levers held down.
2. Engine must kill if transmission is taken out of neutral without holding down O.P. levers.
3. Engine must not start unless blades are off and transmission is in the neutral position.
4. Do not operate the mower if the interlock safety system allows operating or starting in any unsafe condition.

CAUTION

DO NOT BYPASS THE INTERLOCK SWITCHES THEY ARE FOR YOUR PROTECTION! CHECK THE OPERATOR PRESENCE SYSTEM DAILY ALONG WITH THE TRACTION DRIVE SWITCHES AND BLADE SWITCH FOR PROPER OPERATION. REPAIR IMMEDIATELY IF A PROBLEM IN THE SYSTEM IS FOUND. DO NOT OPERATE MOWER IN A DAMAGED CONDITION.

NEUTRAL LOCK THUMB LATCH

The point between neutral and drive on the slot of the thumb latches should be checked every 50 hours. If the point is rounded it should be replaced. See figure 7 on page 10.

BLADES

If blades are in good condition, sharpen at an angle of 22 to 28 degrees about 2-1/2" in from the tips.

NOTE

AFTER SHARPENING, CHECK BLADES FOR PROPER BALANCE, IF NEEDED CORRECT BALANCE TO PREVENT EXCESSIVE VIBRATION

CUTTING DECK SERVICE

If mower is cutting improperly, check the following:

1. Ground speed - too fast for proper cutting. Shift to a lower gear.
2. Engine speed - too low for proper cutting. Increase engine speed.
3. Cutting height - too low for ground/grass conditions. Adjust to higher cut.
4. Blade spacers - not positioned properly on all blade shafts. Visually inspect and replace or adjust as necessary.
5. Front casters - spacers not in correct relationship with rear axle. Adjust as necessary.
6. Belt slippage - causing bad cutting pattern or uneven cut. Adjust belt tension
7. Tire pressure - uneven tire pressure can cause an uneven cut from one side of the deck to the other. Equalize tire pressure.

Service

CUTTER HOUSING SPINDLE ASSEMBLIES

The cutter housing assembly is designed with a slip fit inner race and pulley. The sole purpose of the setscrew in the pulley is to hold the housing assembly together. The setscrew is not meant to secure the pulley. The pulley is secured by pinching the pulley to the inner race of the bearings using the blade bolt and nut. Tighten the setscrews after you have pinched the assembly together with the blade bolt and nut.

Models have a different stack up of spacers and pulleys, to achieve proper belt alignment. See figure 8 (Refer to the **parts manual** when ordering parts.)

Cutter housing assemblies use sealed bearings and are maintenance free.

NOTE
WHEN PRESSING A BEARING IN OR OUT OF A CUTTER HOUSING APPLY CONSTANT PRESSURE TO THE RACE OR RACES THAT HAVE AN INTER-FERENCE FIT.
NEVER BEAT A BEARING IN OR OUT.

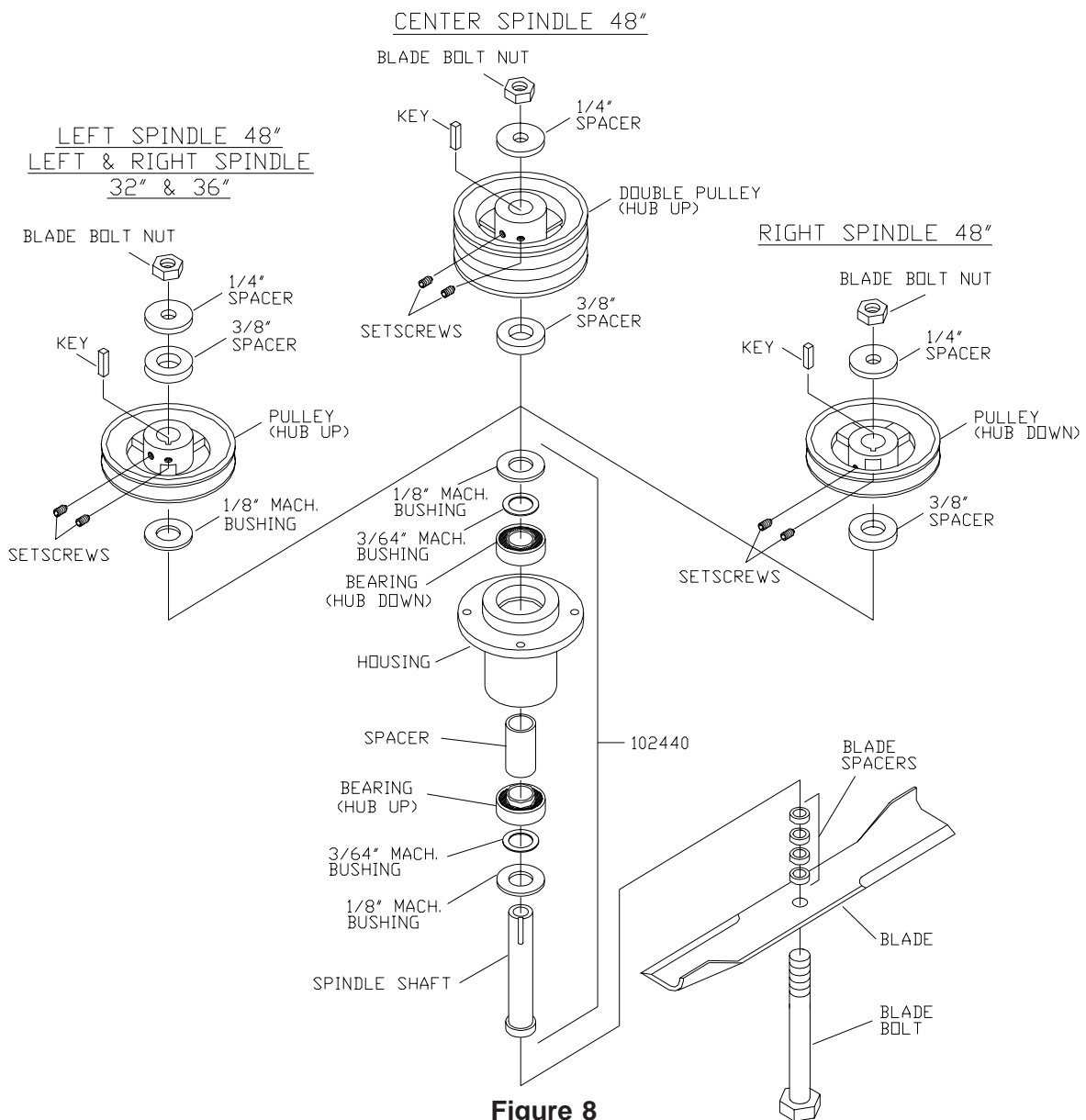


Figure 8

Service

WHEEL DRIVE BELT REPLACEMENT

WHEEL DRIVE BELT: If belts are worn or damaged, wheels will not drive properly. To replace either belt, proceed as follows:

1. Unhook brake linkage from brake band arm. Located between the rear deck and the rear tire.
2. Unhook traction linkage from bellcrank. The traction linkage connects the traction levers on the handle to the bellcranks on each side of the mower. The bellcranks are located behind the rear tires.
3. Unhook spring from belt guard. Located on the sides of the tank support.
4. Remove belt guard.
5. Loosen bellcrank pivot and belt guard mounting bolts, slide spacers off of bolts to gain clearance for belt removal.
6. Remove belt.
7. To replace belt reverse the procedure and make any needed adjustments.

BLADE DRIVE BELT REPLACEMENT (32", 36" MOWERS)

BLADE DRIVE BELT: If the belt is worn or damaged, blades will not drive properly. To replace this belt, proceed as follows:

1. Close fuel tank shut-off valve and remove spark plug wire.
2. Remove the belt cover from the mower deck.
3. Loosen the snubber bolt on the engagement idler so belt can be removed.
4. Raise the rear of mower and block up the rear tires to gain access to the underside of rear deck.
5. Remove the rear belt shield from the underside of rear deck.
6. Loosen the engine bolts with belt guides and rotate them away from the engine pulley. Belt guides can be seen in figure 4 on page 9.
7. Loosen the belt guides located around the pulleys on the front deck. Belt guides are 5/16" bolts and must be loosened to remove the belt.
8. Remove belt.
9. To replace belt - reverse the procedure and make any needed adjustments to belt guides or belt tension.

TRANSMISSION BELT REPLACEMENT (32", 36" & 48" MOWERS)

1. Blade drive belt must be removed from engine pulley before transmission belt can be removed. See blade drive replacement, use steps 4, 5, and 6. Also see figure 4 on page 9.
2. Loosen nut on the transmission idler pulley and slide pulley in slot to relieve tension on belt.
3. Remove the belt from the transmission pulley and the engine pulley.
4. Reverse the procedure for replacement.

AUXILIARY BELT REPLACEMENT (48" MOWERS)

1. Loosen the auxiliary belt adjusting rod. To relieve tension on the belt. See figure 6 on page 8.
2. Remove belt guides from the center spindle.
3. Remove belt.
4. Reverse procedure for replacement. Adjust belt to proper tension.

BLADE ENGAGEMENT FRICTION WASHER

1. If friction washer is worn - replace.
2. If friction washer is sticking - lubricate with Chemplex 710 silicone compound.

WINTER STORAGE

To prepare your Husqvarna mower for winter storage, perform the routine maintenance and necessary adjustments and record the part numbers of worn or broken parts so they may be ordered and replaced before the next mowing season. Use only authentic Husqvarna replacement parts to insure proper fit and the safety of your mower is maintained.

Treat the fuel in the tank with a fuel stabilizer (such as STA-BIL). This will minimize the formation of fuel gum deposits during storage. Read and follow the mix ratio on the container. Run the engine for at least 10 minutes after adding the stabilizer to bring it into the carburetor.

These few tips will help make your mower ready when needed for the next mowing season and insure many years of dependable service.

Maintenance

| ITEM | FREQUENCY | REQUIRED SERVICE |
|------------------------------------------------|------------------------------------|--------------------------------------|
| REAR TIRES | BEFORE EACH MOWING | INFLATE TO PROPER PRESSURE |
| FRONT TIRES | BEFORE EACH MOWING | INFLATE TO PROPER PRESSURE |
| UNDERSIDE OF MOWING DECK | AFTER EACH MOWING | REMOVE GRASS & DEBRIS |
| MOWER DECK | DAILY | INSPECT FOR CRACKS/LOOSE HARDWARE |
| UNDERSIDE OF REAR DECK | AFTER EACH MOWING | REMOVE GRASS & DEBRIS |
| BLADE PULLEYS | WHENEVER REMOVED | LOCTITE TO SHAFT |
| ENGINE PULLEY | WHENEVER REMOVED | ANTI-SEIZE TO SHAFT |
| FRONT WHEEL BEARINGS | DAILY | LUBE WITH GREASE |
| CASTER SHAFTS | DAILY | LUBE WITH GREASE |
| ENGINE OIL LEVEL | DAILY/CHANGE PER MANUAL | FILL AS NEEDED |
| REAR WHEELS | DAILY | LUBE WITH GREASE |
| BRAKE ARMS | DAILY | LUBE WITH GREASE |
| BLADE ENGAGEMENT BELLCRANK | DAILY | LUBE WITH GREASE |
| BLADE ENGAGEMENT FRICTION WASHER | 100 HRS. | LUBE WITH SILICONE |
| TRANSMISSION SHAFTS | WEEKLY | LUBE WITH GREASE |
| BLADES | EVERY SHARPENING | REPLACE IF DAMAGED |
| ENGINE AIR FILTER | 100 HRS. PAPER/25HRS FOAM | SERVICE PER MANUAL |
| LINKAGES AND ADJUSTMENTS | 100 HRS. | INSPECT & REPLACE IF WORN OR DAMAGED |
| FUEL FILTER (IN-LINE) | 100 HRS. | REPLACE WITH NEW |
| POINT ON THUMB LATCH BETWEEN NEUTRAL AND DRIVE | 250 HRS/REPLACE EACH MOWING SEASON | IF POINT WORN, REPLACE |
| WINTER STORAGE | THE END OF MOWING SEASON | SEE SECTION ON STORAGE |
| DRIVE WHEEL IDLER ARMS | DAILY | LUBE WITH GREASE |

 **Husqvarna**