

**HONDA**

**Power**

**Equipment**

# **OPERATOR'S MANUAL**

## **FRONT QUICK HITCH KIT MODEL QH5000**

---


Thank you for purchasing a Honda Front Quick-Hitch Kit.

This manual covers the installation and operation of the Honda QH5000 Quick-Hitch on Honda RT5000, H5013, and H5518 tractors. A parts list and customer service information are included on pages 5 and 6. Make sure this manual remains with the Quick-Hitch if resold.

The information in this publication was in effect at the time of approval for printing. American Honda Motor Co., Inc. reserves the right to discontinue, or to change specifications or design, at any time without notice and without incurring any obligation. No part of this publication may be reproduced without written permission.

## SAFETY MESSAGES

Your safety and the safety of others is very important. We have provided important safety messages in this manual and on the Quick-Hitch and tractor. Please read these messages carefully.

A safety message alerts you to potential hazards that can hurt you and others. Each safety message is preceded by a safety alert symbol  and one of three words: DANGER, WARNING, or CAUTION.

These mean:

 **DANGER**

You WILL be KILLED or SERIOUSLY HURT if you don't follow instructions.

 **WARNING**

You CAN be KILLED or SERIOUSLY HURT if you don't follow instructions.

 **CAUTION**

You CAN be HURT if you don't follow instructions.

Each message tells you what the hazard is, what can happen, and what you can do to avoid or reduce injury.

## DAMAGE PREVENTION MESSAGES

You will also see other important messages that are preceded by the word NOTICE.

This word means:

**NOTICE**

Your Quick-Hitch, tractor, or other property can be damaged if you don't follow instructions.

The purpose of these messages is to help prevent damage to your Quick-Hitch, tractor, and other property, or the environment.

# SAFETY

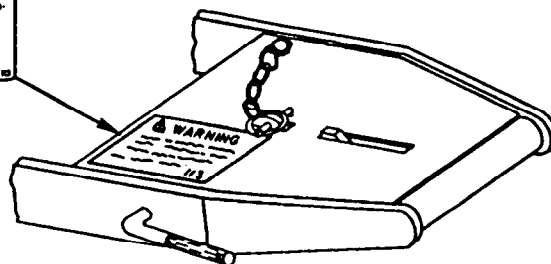
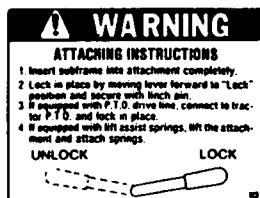
Read this operator's manual carefully, and familiarize yourself fully with its safety recommendations and operating procedures before using the attachment. Follow the instructions in this publication at all times, and insist that those who work with you do likewise. Failure to do so could result in personal injury or equipment damage.

## SAFE OPERATING RULES

- To avoid injury, keep bystanders, children, and pets away from the operating area.
- Stay clear of the front of the hitch and pinch points.
- Do not allow anyone to ride on the attachment.
- Never permit anyone to operate the attachment without proper instruction. Never allow children to operate this equipment.
- Never attempt to make any adjustments to the attachment while the tractor's engine is running.
- Do not use this attachment when visibility is poor. Under conditions of poor visibility, there is a greater risk of striking an object or causing injury.
- If you hit an object, stop the engine immediately, and check the attachment. Damaged equipment may increase the possibility of injury during operation.
- When operating the tractor, always raise the attachment if it is not in use.
- Stop the tractor's engine whenever you leave the operator's position to make any inspection, adjustment, or repair.
- Before leaving the tractor unattended, always lower the attachment, shift the transmission to neutral, set the parking brake, stop the engine, and remove the key from the ignition switch to prevent children or unauthorized persons from starting the engine.

## SAFETY LABEL LOCATION

This label is considered a permanent part of your Quick-Hitch. If the label comes off or becomes hard to read, contact your dealer for a replacement.



# INSTALLATION INSTRUCTIONS

## 1. HITCH PIVOT INSTALLATION

RT5000 and H5013 Tractors:

The 16.1 mm diameter hitch pivots provided with the tractor must be replaced with 22.1 mm diameter pivots.

Pivot, 22.1 mm (2 required)  
H/C 3502374; P/N 76323-752-J00

- a. Remove the six 8 x 16 mm flange bolts from lower frame cover B, and remove cover B for access to the hitch pivot rear mounting holes.

It is not necessary to remove lower frame cover A.

- b. Remove the three 8 mm flange bolts from each hitch pivot, and remove the pivots.
- c. Install 22.1 mm diameter hitch pivots in the rear mounting holes, as shown, using the 8 mm flange bolts that were removed from the original hitch pivots.

Do not tighten the bolts until after the pivot rod has been installed (see page 4).

- d. Reinstall lower frame cover B, and tighten the 8 x 16 mm bolts securely.

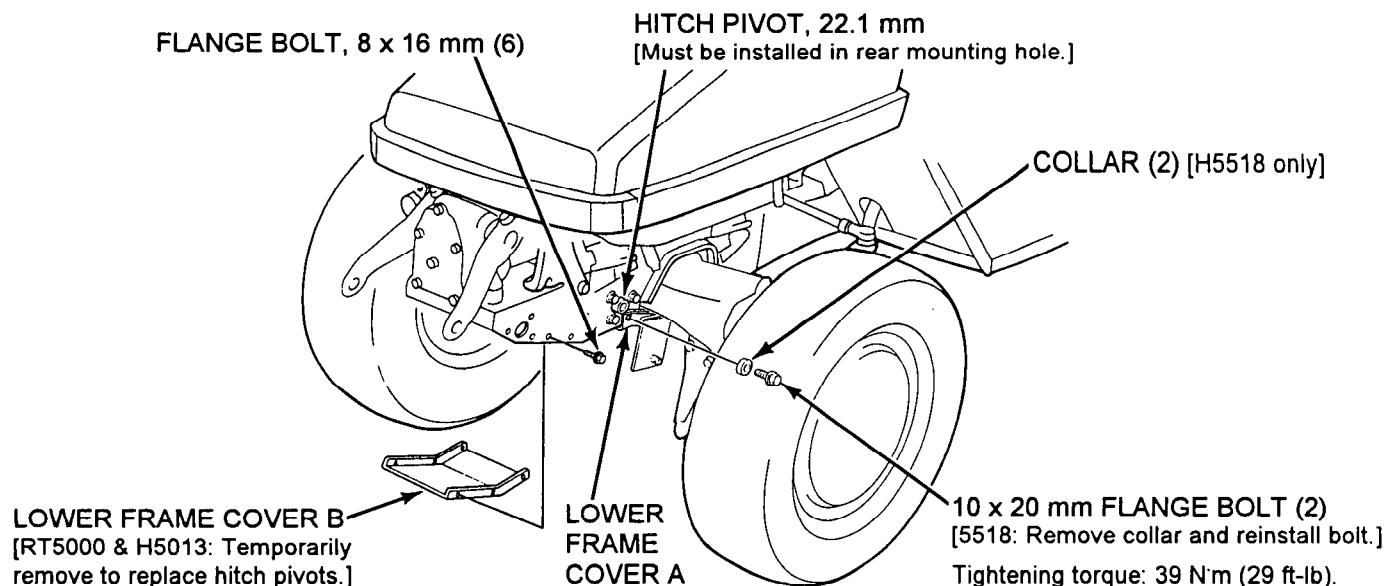
H5518 Tractors:

To provide clearance for the quick-hitch, the collars must be removed from the 10 x 20 mm flange bolts that attach lower frame cover A.

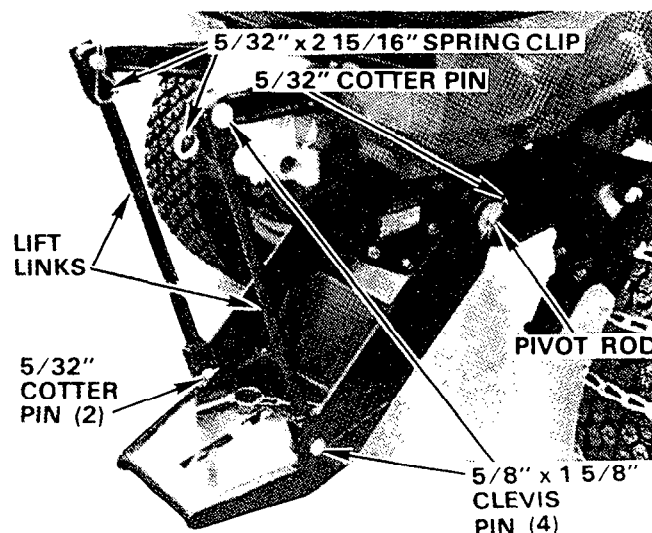
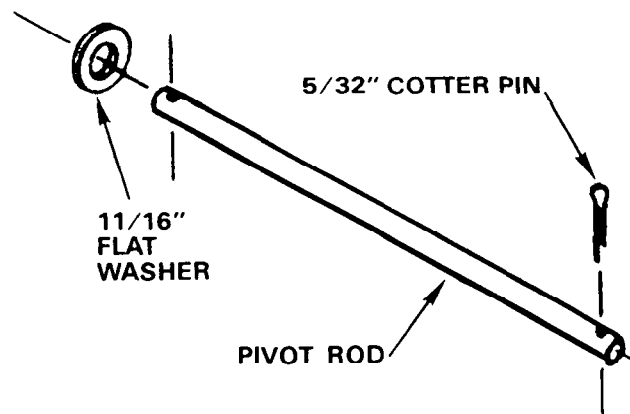
- a. Remove the two 10 x 20 mm flange bolts from the front edge of lower frame cover A. Remove the collars from the bolts.
- b. Reinstall the 10 x 20 mm flange bolts without the collars. Tighten the bolts to a torque value of 39 N·m (29 ft-lb).

### NOTICE

Do not operate the tractor with lower frame cover A removed or unbolted. Lower frame cover A is a structural member that strengthens the frame.

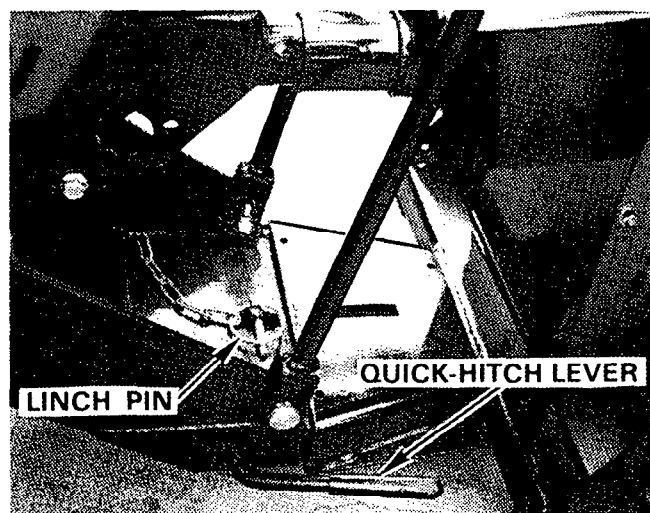


2. Install a  $\frac{5}{32}$ -inch cotter pin in one end of the pivot rod, and place a  $\frac{7}{8}$ -inch flat washer on the inner side of the cotter pin.
3. Lift the rear of the Quick-Hitch into position between the hitch pivots, and secure the hitch with the pivot rod.
4. Place a  $\frac{7}{8}$ -inch washer on the pivot rod, and secure the rod with a  $\frac{5}{32} \times 2\frac{15}{16}$ -inch spring clip.
5. RT5000 and H5013 Tractors:  
Tighten the 8mm flange bolts on the hitch pivots that were installed in step 1, c.
6. Attach the lower ends of the links to the Quick-Hitch with two  $\frac{5}{8} \times 1\frac{5}{8}$ -inch clevis pins. Install the clevis pins from the outer sides of the lift links.
7. Secure the lower clevis pins with  $\frac{5}{32}$ -inch cotter pins.
8. Attach the upper ends of the lift links to the Quick-Hitch with the remaining two  $\frac{5}{8} \times 1\frac{5}{8}$ -inch clevis pins. Install the clevis pins from the outer sides of the lift links.
9. Secure the upper clevis pins with  $\frac{5}{32} \times 2\frac{15}{16}$ -inch spring clips.

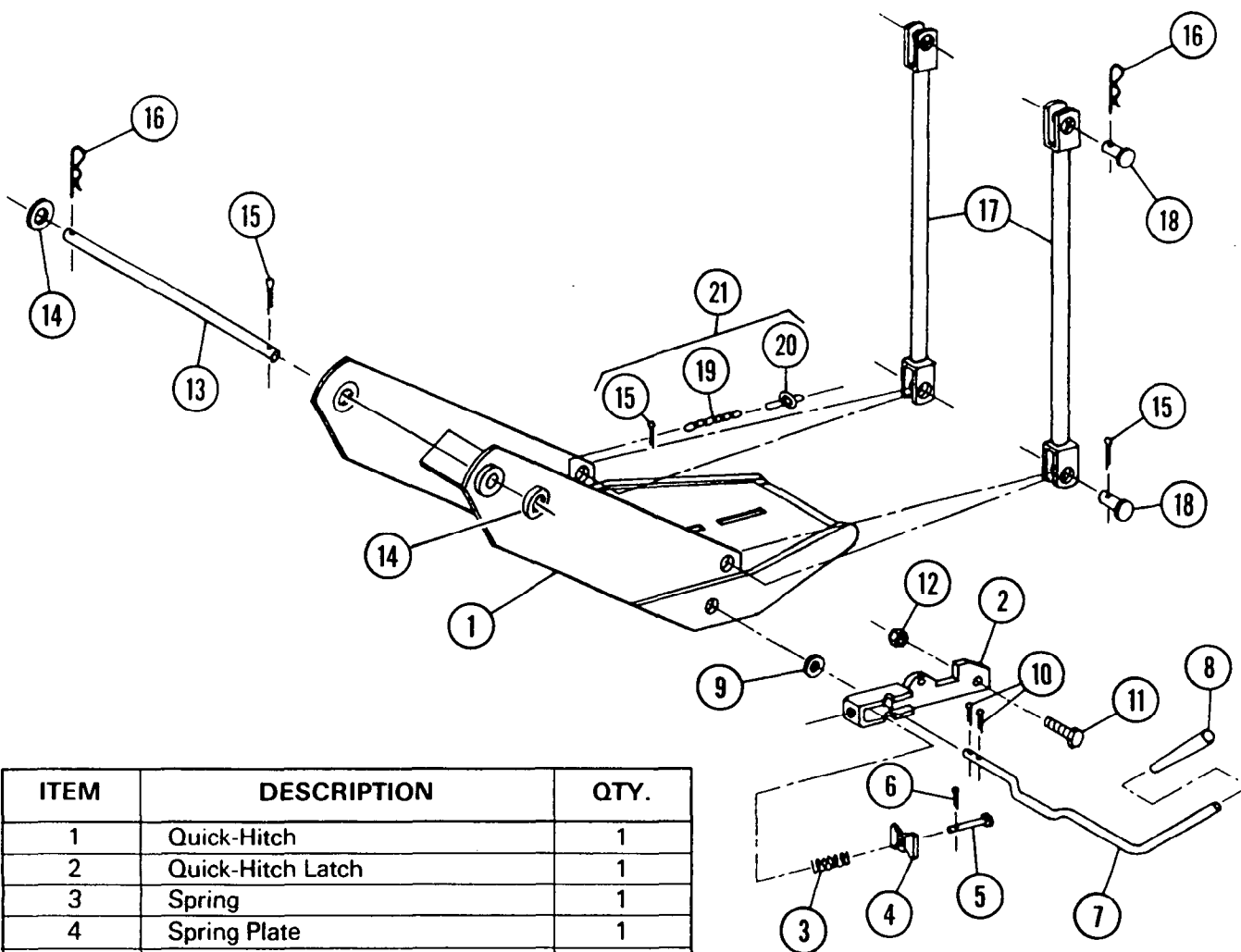


## ATTACHMENT MOUNTING

1. Position the tractor so the Quick-Hitch is close to the female coupling on the attachment.
2. Lower the Quick-Hitch to approximately  $\frac{3}{4}$  of an inch from the ground. Refer to your tractor's owner's manual for hydraulic lift system operating instructions.
3. With the Quick-Hitch lever in the UNLOCK position, slide the attachment's female coupling all the way onto the Quick-Hitch.
4. Move the Quick-Hitch lever to the LOCK position, and secure the latch with the linch pin, as shown.
5. Connect the attachment's PTO drive shaft, if applicable.



# REPLACEMENT PARTS



ITEM	DESCRIPTION	QTY.
1	Quick-Hitch	1
2	Quick-Hitch Latch	1
3	Spring	1
4	Spring Plate	1
5	Pin (1/4" x 1 3/4")	1
6	Cotter Pin (3/32" x 3/4")	1
7	Attaching Lever	1
8	Rubber Handle Grip	1
9	Flat Washer (9/16")	1
10	Cotter Pin (1/8" x 1")	2
11	Bolt (3/8" NC x 1 1/2")	1
12	Lock Nut (3/8" NC, Nylon)	1
13	Pivot Rod	1
14	Flat Washer (11/16")	2
15	Cotter Pin (5/32" x 1")	4
16	Spring Pin (5/32" x 2 15/16")	3
17	Lift Link	2
18	Clevis Pin	4
19	Chain	1
20	Linch Pin (5/16")	1
21	Safety Chain and Pin Assembly	1

# CUSTOMER SERVICE INFORMATION

Honda Power Equipment dealership personnel are trained professionals. They should be able to answer any questions you may have. If you encounter a problem that your dealer does not solve to your satisfaction, please discuss it with the dealership's management. The Service Manager or General Manager can help. Almost all problems are solved in this way.

If you are dissatisfied with the decision made by the dealership's management, contact the Honda Power Equipment Customer Service Office. You can write:

**American Honda Motor Co., Inc.**  
Honda Power Equipment Division  
Customer Service Office  
4475 River Green Parkway  
Duluth, GA 30136-2565

Or telephone: (770) 497-6400

When you write or call, please give us this information:

- Model and serial number
- Name of the dealer who sold the Quick-Hitch to you
- Name and address of the dealer who services your Quick-Hitch
- Date of purchase
- Your name, address, and telephone number
- A detailed description of the problem



HC: 4857777



Printed on  
Recycled Paper

AHM 1009507  
PRINTED IN U.S.A.