

HONDA

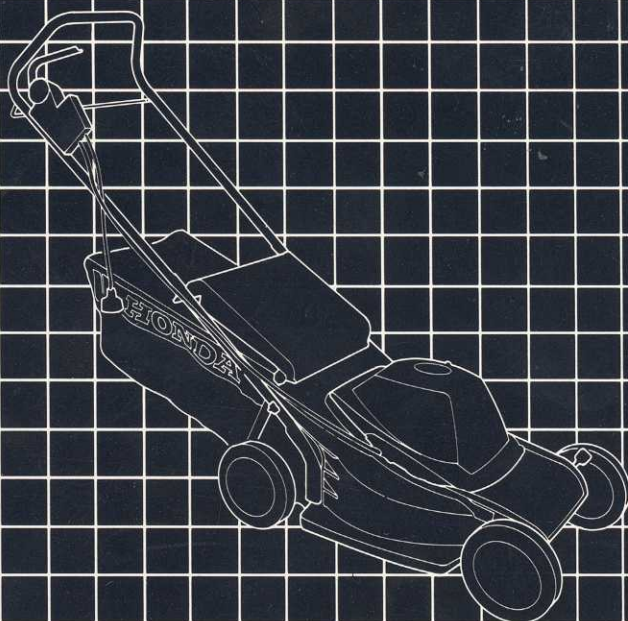
Power

Equipment

Owner's Manual

Electric Rotary Mower

HR17EPA





Thank you for purchasing a Honda electric rotary mower.

This manual covers the operation and maintenance of the Honda HR17EPA electric rotary mower. All information in this publication is based on the latest product information available at the time of printing. American Honda Motor Co., Inc., reserves the right to make changes at any time without notice and without incurring any obligation. Honda HR17EPA mowers meet CPSC blade safety requirements for walk-behind rotary mowers.

No part of this publication may be reproduced without written permission.

This manual should be considered a permanent part of the mower and should remain with the mower if it is resold.

READ THIS OWNER'S MANUAL CAREFULLY. Pay special attention to statements preceded by the following words:

⚠ DANGER Indicates serious injury or death **WILL** result if instructions are not followed.

⚠ WARNING Indicates a strong possibility that serious injury or death may result if instructions are not followed.

CAUTION: Indicates a possibility that equipment or property damage could result if instructions are not followed.

NOTE: Gives helpful information.

Honda rotary mowers are designed to give safe and dependable service if operated according to instructions. Operating this equipment requires special effort on your part to ensure your safety and the safety of others.

⚠ WARNING

- **Careless operation or misuse may cause injury or property damage. Read and understand this Owner's Manual before operating the mower.**
- **Using this product for a purpose not intended may cause injury or property damage. Use only for mowing (cutting) grass, and bagging cut grass when equipped with the grass bag.**

If a problem should arise, or if you have any questions about your mower, consult an authorized Honda lawn mower dealer.

CONTENTS

1. SAFETY	3
2. COMPONENT IDENTIFICATION	6
3. PRE-OPERATION CHECK	7
Blade Inspection	7
Air Inlet Inspection	8
Grass Bag Inspection	8
4. OPERATION	9
Cutting Height Adjustment	9
Grass Bag	10
Power Source	11
Extension Cord	11
Power Switch	13
Mowing Procedure	14
5. MAINTENANCE	17
Maintenance Schedule	17
Air Filter Cleaning	18
Motor Fan Cleaning	19
Blade Replacement	19
Grass Bag Cleaning and Replacement	20
6. STORAGE	21
7. TROUBLESHOOTING	22
8. SPECIFICATIONS	23
9. WARRANTY SERVICE	24

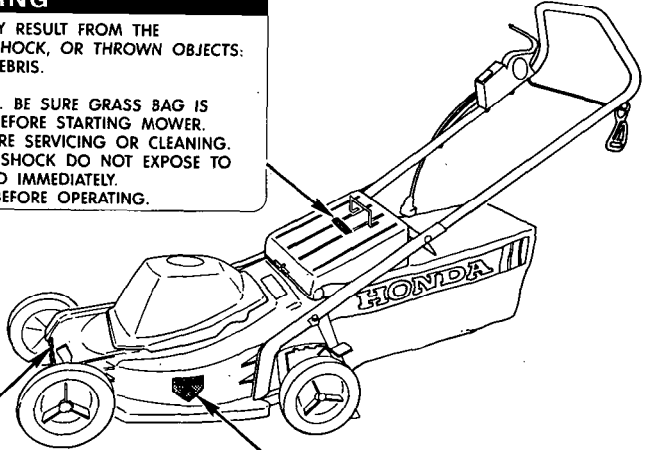
1. SAFETY

SAFETY LABEL LOCATIONS

Read all safety instructions before operating the mower.

⚠ WARNING


- TO AVOID SERIOUS INJURY THAT MAY RESULT FROM THE ROTATING MOWER BLADE, ELECTRIC SHOCK, OR THROWN OBJECTS:
 - BE SURE THE AREA IS CLEAR OF DEBRIS.
 - KEEP PEOPLE AND PETS AWAY.
 - NEVER REMOVE DISCHARGE GUARD. BE SURE GRASS BAG IS IN PLACE, OR GUARD IS DOWN, BEFORE STARTING MOWER.
 - DISCONNECT POWER SOURCE BEFORE SERVICING OR CLEANING.
 - TO REDUCE THE RISK OF ELECTRIC SHOCK DO NOT EXPOSE TO WATER — REPLACE DAMAGED CORD IMMEDIATELY.
- READ OWNER'S MANUAL CAREFULLY BEFORE OPERATING.




DANGER KEEP HANDS and FEET AWAY



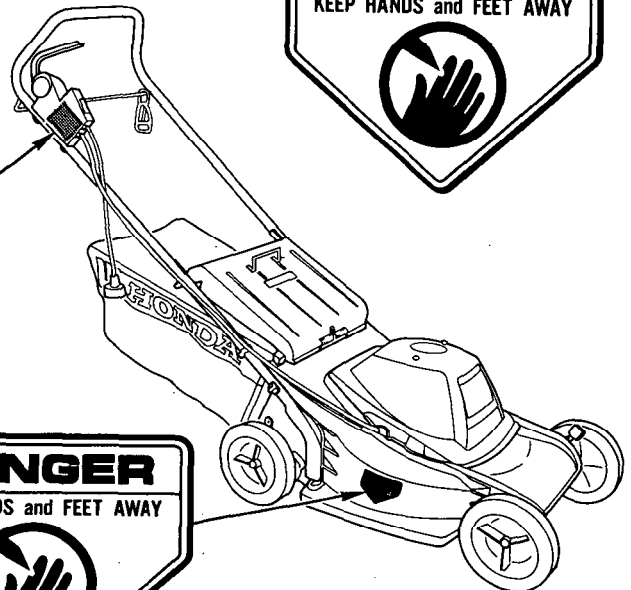
OPERATING INSTRUCTIONS

1  **PUSH YELLOW BUTTON IN**

2  **PULL LEVER TO HANDLE BAR**

■ **CIRCUIT BREAKER:**
PUSH TO RESET AFTER 1 MINUTE

DOUBLE INSULATED — WHEN SERVICING.
USE ONLY IDENTICAL PARTS.

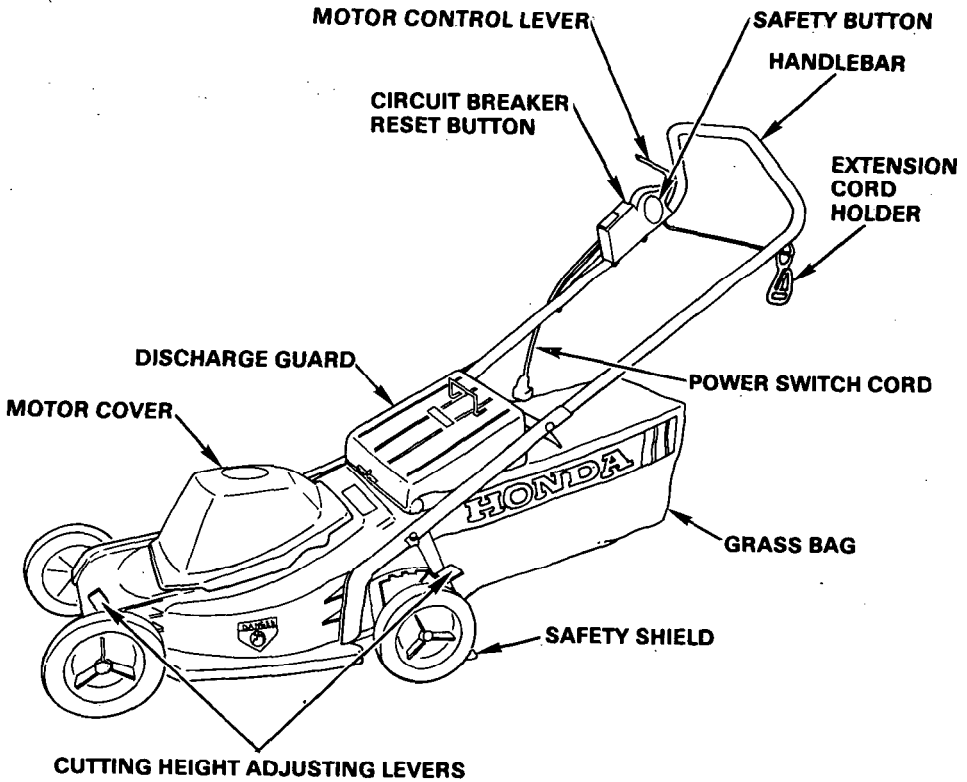


UNDERWRITERS LABORATORIES (UL) RECOMMENDED SAFETY INSTRUCTIONS

- When servicing, use only identical replacement parts. Replace or repair damaged cords.
- **Avoid Dangerous Environment**—Don't use appliances in damp or wet locations.
- **Don't Use In Rain.**
- **Keep Children Away**—All visitors should be kept at a distance from work area.
- **Dress Properly**—Do not wear loose clothing or jewelry. They can be caught in moving parts. Use of rubber gloves and substantial footwear is recommended when working outdoors.
- **Use Right Appliance**—Do not use lawn mower for any job except that for which it is intended.
- **Warning**—To reduce the risk of electric shock, use only with an extension cord intended for outdoor use.
- **Extension Cords**—To reduce the risk of disconnection of lawn mower cord from the extension cord during operation, use the extension cord holder described in this manual.
- **Avoid Unintentional Starting**—Don't carry plugged-in lawn mower with finger on switch. Be sure switch is off when plugging in.
- **Don't Abuse Cord**—Never carry lawn mower by cord or yank it to disconnect from receptacle. Keep cord from heat, oil, and sharp edges.
- **Don't Force Lawn Mower**—It will do the job better and with less likelihood of a risk of injury at the rate for which it was designed.

-
- **Don't Overreach**—Keep proper footing and balance at all times.
 - **Disconnect Lawn Mower**—Disconnect the lawn mower from the power supply when not in use, before servicing, when changing accessories such as blades, and the like.
 - **Store Idle Lawn Mower Indoors**—When not in use, lawn mower should be stored indoors in dry, high, or locked-up place—out of reach of children.
 - **Maintain Lawn Mower With Care**—Keep cutting edge sharp and clean for best performance and to reduce the risk of injury. Follow instructions for lubricating and changing accessories.

2. COMPONENT IDENTIFICATION



Acceptable attachments are limited to the grass bag supplied with this mower and a UL-listed, outdoor extension cord of adequate gauge (see page 11).

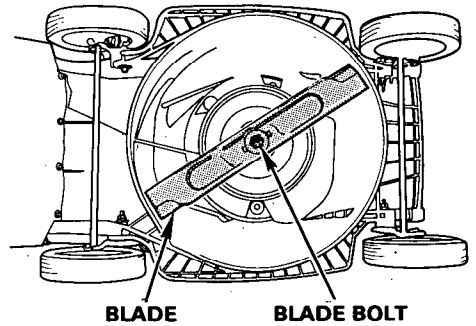
⚠ WARNING The use of any other accessory or attachment may increase the risk of injury.

3. PRE-OPERATION CHECK

BLADE INSPECTION

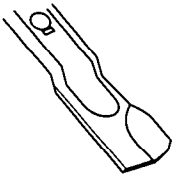
⚠ WARNING To avoid serious injury by the cutting blade, disconnect the extension cord from the mower to prevent accidental starting. Wear heavy gloves to protect your hands from the blade.

Rest the mower on its left side, so the power switch will not be in the dirt. Inspect the blade for signs of wear or damage.

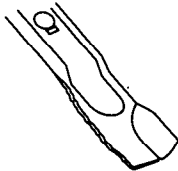


A dull blade can be sharpened, but a blade that is worn out, bent, cracked, or otherwise damaged must be replaced. Check that the blade bolt is firmly tightened.

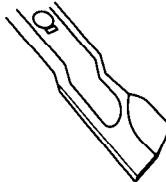
Blade bolt torque: 3.0 – 3.5 kg-m (21.7 – 25.3 ft-lb).



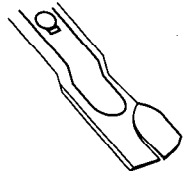
NORMAL



EXCESSIVELY WORN



BENT



CRACKED

⚠ WARNING A worn or damaged blade may break, causing severe injury if a broken piece is thrown from beneath the mower deck. Always inspect the blade before mowing.

The blade must be kept sharp. When the blade needs sharpening or replacement, take the lawn mower to your authorized Honda lawn mower dealer. Or, you can remove and install the blade yourself (see page 19).

To reduce the possibility of weakening the blade, or causing imbalance or poor cutting performance, sharpening should be performed by an authorized Honda lawn mower dealer.

AIR INLET INSPECTION

Inspect the air inlet, and remove any accumulated debris from the filter area. An obstructed air filter may cause the motor to overheat.

CAUTION: Overheating will damage the motor.

NOTE: Remove and clean the air filters after every 25 hours of operation (see page 18). Clean the filters more frequently if operating conditions are very dusty.

GRASS BAG INSPECTION

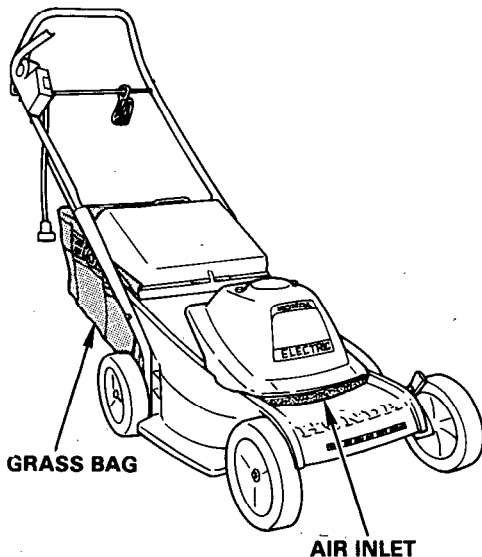
Check the grass bag to be sure it is in good condition and is not clogged.

A clogged grass bag will not collect grass properly. When the bag needs cleaning, wash it with water, and allow it to dry thoroughly before use; a wet grass bag will clog quickly.

The grass bag is subject to deterioration and damage under normal use. Inspect the bag before each use, and replace if necessary. Use only a Honda replacement bag or equivalent. To obtain the name of your nearest dealer, contact American Honda Power Equipment Customer Relations Department; the address and telephone number are given on page 24.

If the mower is operated with a damaged or deteriorated grass bag, objects picked up by the blade may be thrown through the bag material.

⚠ WARNING Objects thrown through the grass bag may cause serious injury. Install a new grass bag when required.

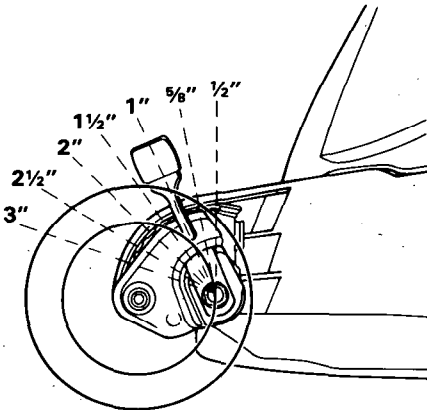
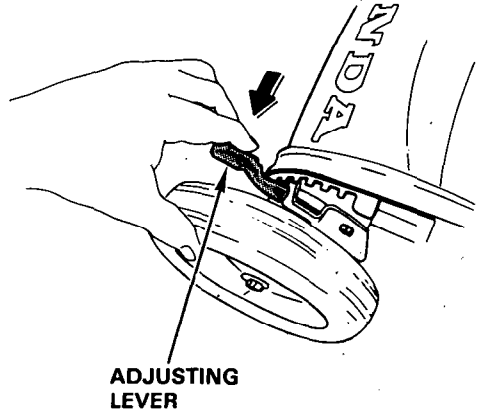


CUTTING HEIGHT ADJUSTMENT

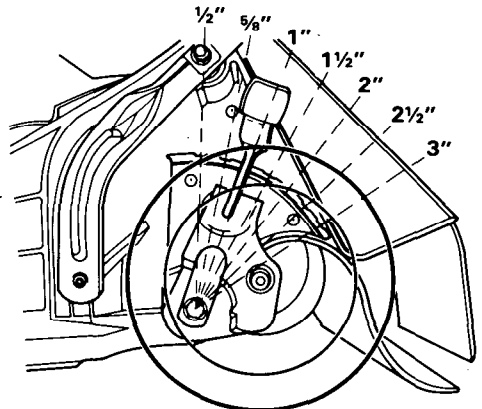
⚠ WARNING If the motor starts accidentally, the cutting blade may cause serious injury. Disconnect the extension cord from the mower to prevent accidental starting.

Select the correct cutting height for your mowing requirements. A height of 1 1/2" to 2" is appropriate for most lawns during cool weather. A higher cut is recommended during hot summer months.

Cutting height is adjustable in seven increments: 1/2", 5/8", 1", 1 1/2", 2", 2 1/2", and 3". To adjust, pull each adjusting lever toward the wheel, and move it into another notch. Set both front and rear adjusting levers to the same cutting height position.



FRONT WHEEL



REAR WHEEL

GRASS BAG

⚠ WARNING If the motor starts accidentally, the cutting blade may cause serious injury. Disconnect the extension cord from the mower to prevent accidental starting.

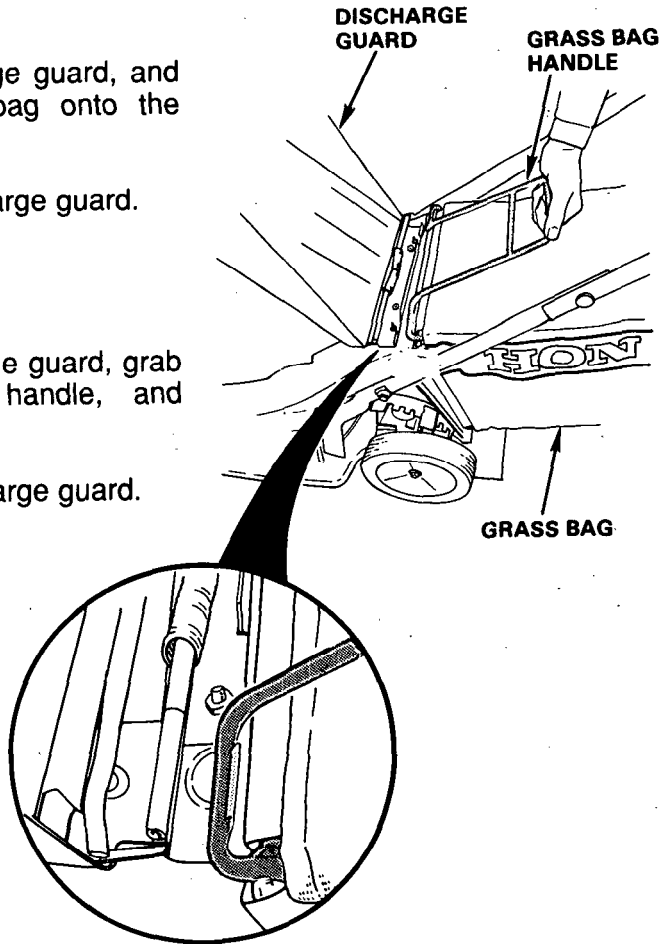
The Honda HR17EPA mower can be operated without the grass bag, if you wish to distribute the grass clippings on the lawn, or with the grass bag installed to collect the grass clippings.

INSTALLATION

1. Raise the discharge guard, and hook the grass bag onto the mower as shown.
2. Release the discharge guard.

REMOVAL

1. Raise the discharge guard, grab the grass bag handle, and remove the bag.
2. Release the discharge guard.



POWER SOURCE

A properly grounded 120 volt outlet, protected by a ground-fault circuit interrupter (GFCI), is recommended.

EXTENSION CORD

SELECTING AN EXTENSION CORD

Use only a UL-listed, outdoor extension cord of adequate gauge (see table below). Suitable extension cords are available from authorized Honda lawn mower dealers.

EXTENSION CORD LENGTH	MINIMUM WIRE GAUGE
Up to 50 feet	18 AWG
50 to 100 feet	16 AWG
100 to 150 feet	14 AWG

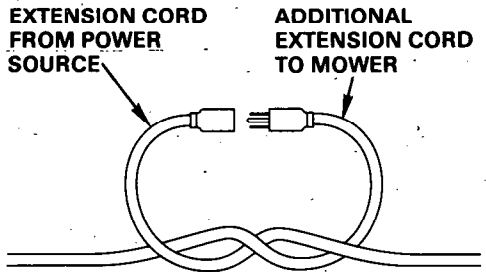
CAUTION: If the extension cord wire gauge is smaller than recommended, the cord may overheat, resulting in damage to the wire insulation and the possibility of a short circuit.

Before each use, inspect your extension cord for damage and deterioration.

ADDING A SECOND EXTENSION CORD

If possible, use a single extension cord of sufficient length for your mowing requirements. If you have only shorter extension cords, you may connect them together to extend your mowing range, if they meet minimum wire gauge requirements for **total** cord length (see table on page 11).

To prevent accidental disconnection during operation, make a knot, as shown, when connecting two extension cords together.



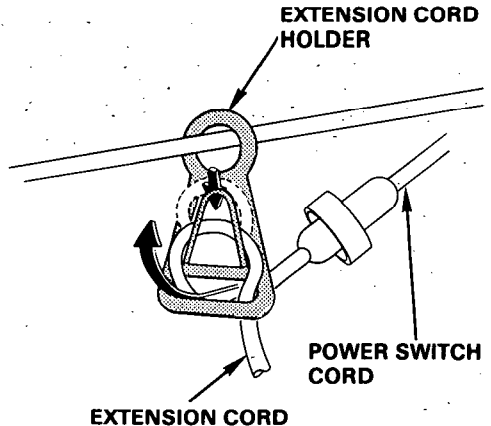
ATTACHING THE EXTENSION CORD TO THE MOWER

Attach the extension cord to the cord holder as shown, then connect the extension cord to the power switch cord.

To avoid unintentional starting, do not hold the motor control lever while connecting the extension cord.

Remove the extension cord whenever the mower will be unattended. Disconnect electrical cords by grasping the plugs.

CAUTION: Pulling the mower by the electrical cords, or yanking the cords to disconnect them, may damage the cords.



POWER SWITCH

MOTOR CONTROLS

The power switch is equipped with a safety button which blocks the motor control lever to prevent unintentional starting while handling the mower. The lever can be pulled to start the motor and blade only while pushing the button.

To start the motor and blade, push the safety button, and pull the lever back against the handlebar with your other hand. Hold the lever against the handlebar while mowing.

NOTE: It is difficult for the blade to attain full speed in tall grass. To ease starting and to avoid stalling, always start the motor in a clear or mowed area.

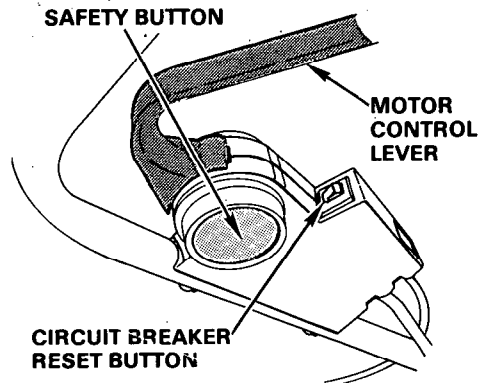
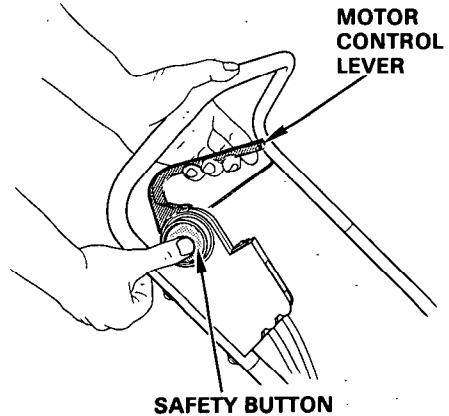
Release the lever to stop the motor and blade.

CIRCUIT BREAKER

The circuit breaker in the power switch will trip, and the motor will stop, if the current through the power switch exceeds 12 amperes.

If the circuit breaker trips, wait at least one minute to allow the electric motor to cool, then push the reset button, and restart the motor.

If the circuit breaker trips repeatedly, determine and correct the cause of the problem (refer to TROUBLE-SHOOTING PROCEDURE on page 22), or take the mower to your Honda lawn mower dealer.



MOWING PROCEDURE

For your safety and the safety of others, observe the following precautions:

- Clear the lawn of sticks, stones, and debris before mowing. Mow only in cleared areas in daylight, or good artificial light, so objects in the lawn can be seen and avoided.
- Mow only in good weather. Mower operation in rain, or in damp or wet conditions, may lead to serious injury or death by electrocution.
- Be sure that anyone who operates the mower receives proper instruction. Allowing anyone, especially children, to operate the mower without proper instruction may result in serious injury.
- Keep children and pets away from the area of operation. Supervising the safety of children and pets while operating the mower is not recommended.
- Wear long trousers and appropriate shoes to protect yourself in the event that objects are thrown from beneath the mower deck. Don't operate the mower barefoot or wearing sandals. Don't wear loose fitting clothing that could be caught by the mower.
- The safety shield is for your protection; keep it in place at all times.
- The blade is sharp and dangerous; putting your hands or feet under the mower deck may result in serious injury.
- Use the mower only for its intended purpose: mowing (cutting) grass, and bagging cut grass when equipped with the grass bag. Other use may cause injury or property damage.

Start mowing in the area nearest to your electrical outlet and move in a back and forth pattern, working toward the area farthest from your electrical outlet. This will help to keep the extension cord out of your mowing path.

Stop the motor before crossing a gravel road or driveway; gravel hit by a moving blade may be thrown from under the mower deck.

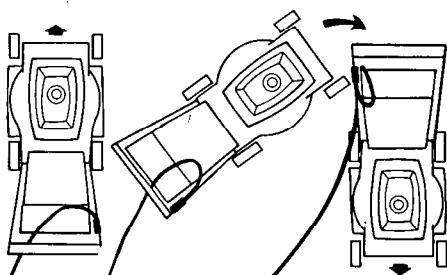
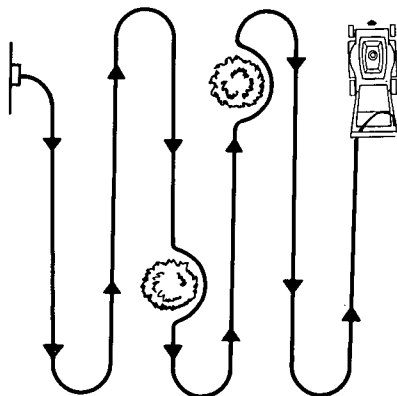
⚠ WARNING Thrown objects can cause serious injury or property damage. Stop the mower before reaching a gravel area.

Be careful to avoid running over the extension cord while mowing; the blade may cut the cord and cause a short circuit and/or create a shock hazard. If you accidentally cut the extension cord, do not handle the cord until it has been unplugged from your power outlet receptacle. Replace the damaged cord before continuing to mow.

⚠ WARNING Operating the mower with a damaged extension cord may lead to serious injury or death by electrocution. Replace damaged cords.

When changing direction, slide the extension cord holder to the side that is nearest to your electrical outlet. Keep the extension cord toward the electrical outlet and away from the area that is not yet mowed.

CAUTION: The cord may become damaged if it is allowed to wrap around obstacles or to contact hot or sharp objects.



Use extra care when mowing over objects imbedded in the lawn, such as sprinkler heads, paving, edging, etc. Avoid any objects that project above the surface of the lawn. Collision may damage the blade and other mower components.

! WARNING

- **A damaged blade may break, causing severe injury if a broken piece is thrown from beneath the mower deck.**
- **A damaged mower deck provides less protection from thrown objects and debris.**

If the blade hits an object, or if the mower starts to vibrate, follow these steps:

1. Stop the motor.
2. Disconnect the extension cord from the power switch cord to be sure the motor cannot be started.
3. Inspect the mower and blade for damage.
4. Replace any damaged parts before operating the mower.

Keep a firm grip on the handlebar and walk, never run, with the mower. Be very careful when mowing uneven or rough ground. Mow across slopes, never up and down. Be very careful when changing the direction of the mower on a slope. Do not use the mower on a steep slope of more than 20°.

! WARNING

If the mower tilts or overturns, the blade will be exposed; that will increase the risk of injury from blade contact and from thrown objects and debris. For your safety, keep all four wheels on the ground, and be careful not to lose your footing and your control of the mower.

5. MAINTENANCE

Periodic inspection and maintenance, described in the following table, is necessary to keep the mower in good operating condition and to extend service life.

⚠ WARNING If the motor starts accidentally, the cutting blade may cause serious injury. Disconnect the extension cord from the mower to prevent accidental starting.

Use only genuine Honda parts or their equivalent for maintenance or repair. Parts of lower quality may damage the mower.

Maintenance Schedule

REGULAR SERVICE PERIOD		Each Use	Every 25 Hrs. (3)	Every 50 Hrs. (3)	Every 100 Hrs. (3)
ITEM	Perform at every indicated operating hour level				
Blade condition and blade bolt tightness	Check	●			
Air inlet	Check	●			
Grass bag	Check	●			
Air filters	Clean		● (1)		
Motor fan	Clean			●	
Motor brushes	Check				● (2)

NOTE:

- (1) Service more frequently when used in dusty areas.
- (2) The motor brushes should be checked by an authorized Honda lawn mower dealer, unless the owner has the proper tools and is mechanically proficient. Refer to the Honda shop manual.
- (3) For professional commercial use, log hours of operation to determine proper maintenance intervals.

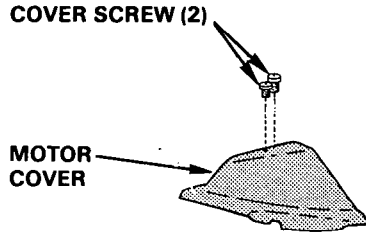
AIR FILTER CLEANING

Remove and clean the air filters after every 25 hours of operation. Clean the filters more frequently if operating conditions are very dusty. Clogged air filters will cause the motor to overheat.

CAUTION: Overheating will damage the motor.

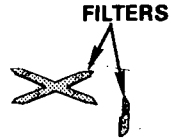
REMOVAL

1. Use a screwdriver to remove the two screws from the motor cover, then remove the cover.
2. Remove the two filters from the cover.



CLEANING

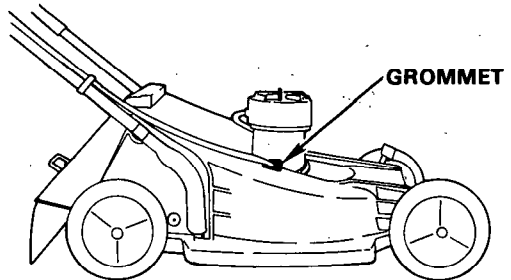
1. Wash the filters in soapy water, rinse, squeeze, and allow them to dry thoroughly before installation.
2. Wash or wipe all dirt from the inside of the motor cover.



INSTALLATION

Install in the reverse order of removal, using a screwdriver to securely tighten the two cover screws.

When placing the motor cover on the mower, be sure the power cord grommet is properly seated in the cover; this grommet seals the cover to prevent dust from entering.



CAUTION: If dust enters, it will shorten the service life of the motor.

MOTOR FAN CLEANING

Periodic cleaning is necessary to ensure that the motor cooling fan will operate efficiently. Clean the motor fan area after every 50 hours of operation, or during preparation for storage after the mowing season, whichever occurs first.

1. Rest the mower on its left side to protect the power switch.
2. Wipe accumulated dirt and debris from the fan blades and the well in which the fan operates.

⚠ WARNING To avoid serious injury by the cutting blade, disconnect the extension cord from the mower to prevent accidental starting. Wear heavy gloves to protect your hands from the blade.

CAUTION: Cleaning with a water hose is not recommended; water could enter the motor and cause corrosion.

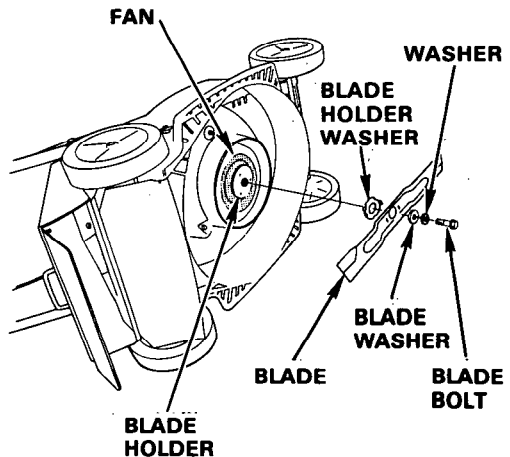
BLADE REPLACEMENT

Rest the mower on its left side to protect the power switch. Inspect the blade to determine if replacement is needed (see page 7).

⚠ WARNING To avoid serious injury by the cutting blade, disconnect the extension cord from the mower to prevent accidental starting. Wear heavy gloves to protect your hands from the blade.

REMOVAL

1. Remove the blade bolt, using a 1/2 inch wrench.
2. Remove the blade and washers.



INSTALLATION

1. Install the blade, washers, and bolt as shown in the illustration on page 19. Align the parts so the tabs on the blade holder washer fit into the blade and blade holder.
2. Tighten the blade bolt with a torque wrench. If you do not have a torque wrench, have your Honda dealer tighten the blade bolt. Blade bolt torque: 3.0 – 3.5 kg-m (21.7 – 25.3 ft-lb).

GRASS BAG CLEANING AND REPLACEMENT

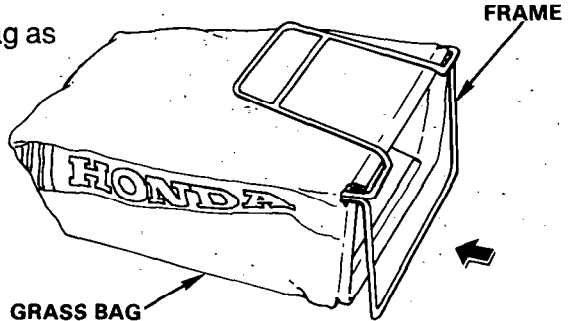
A clogged grass bag will not collect grass properly. When the bag needs cleaning, wash it with water, and allow it to dry thoroughly before use; a wet grass bag will clog quickly.

The grass bag is subject to wear under normal use. Replace a frayed, torn, or deteriorated bag with a Honda replacement bag or its equivalent.

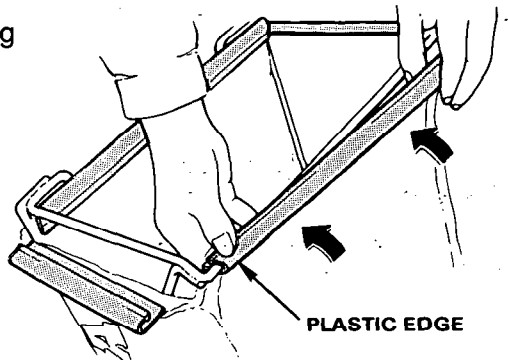
To remove the bag from the bag frame, unclip the plastic edges of the bag.

ASSEMBLY

1. Insert the bag frame in the bag as shown.



2. Clip the plastic edges of the bag onto the frame as shown.



⚠ WARNING

If the motor starts accidentally, the cutting blade may cause serious injury. Disconnect the extension cord from the mower to prevent accidental starting.

PREPARATION FOR STORAGE

- Clean all exterior surfaces of the mower, and wipe accumulated dirt and debris from the underside of the mower deck.

CAUTION: Cleaning with a water hose is not recommended; water could enter the motor and cause corrosion.

- Coat areas that may rust with a light film of oil.
- Wash the grass bag and allow it to dry thoroughly.

⚠ WARNING

Stored lawn clippings are a fire hazard. Always empty the grass bag after use. Dispose of lawn clippings safely.

- Cover the lawn mower, and place it in a dry, dust-free, secure area, out of the reach of children.

NOTE: Plastic sheets should not be used as covers; they will trap moisture around the mower, promoting rust and corrosion.

- Store the extension cord away from heat, oil, and sharp objects.

7. TROUBLESHOOTING

⚠ WARNING

If the motor starts accidentally, the cutting blade may cause serious injury. Disconnect the extension cord from the mower to prevent accidental starting.

TROUBLESHOOTING PROCEDURE

PROBLEM	POSSIBLE CAUSE	CORRECTION
Motor stops and/or does not start.	Extension cord not plugged into a live outlet. Mower circuit breaker tripped. or House circuit breaker tripped or fuse is blown. Extension cord is faulty. Mower has faulty switch or motor.	Plug in or turn outlet on. Determine why the circuit breaker tripped. The motor may have been stalled by tall grass or by a clogged mower deck. Wet grass or an overfilled grass bag may cause the mower deck to clog. The house circuit breaker may trip if the extension cord has a short circuit or is smaller than the recommended wire gauge. Correct the problem and reset the circuit breaker. Replace extension cord. Take mower to Honda lawn mower dealer.
Cutting performance is unsatisfactory.	Cutting height is not adjusted correctly. Grass bag is overfilled or clogged. Blade is dull, worn, damaged, or improperly installed.	Adjust cutting height. Empty the grass bag, and clean it if necessary. Check blade condition and installation. Replace a damaged or worn blade, or have a dull blade sharpened by a Honda lawn mower dealer.
Grass bagging action is unsatisfactory.	Grass bag is overfilled or clogged. Mower deck is clogged. Blade is damaged, excessively worn, or improperly installed.	Empty the grass bag, and clean it if necessary. Clean the underside of the deck. If clogging is caused by wet grass, wait for the lawn to dry before mowing. Check blade installation. Replace damaged or excessively worn blade.
Mower vibrates excessively.	Blade is loose, bent, or otherwise damaged.	Replace damaged blade. If the blade is OK, check the blade holder and washer; properly install and tighten. If the problem persists, take the mower to a Honda lawn mower dealer.

8. SPECIFICATIONS

DIMENSIONS:

Maximum length: 1350 mm (53.15 in)

Maximum width: 470 mm (18.50 in)

Minimum height: 990 mm (38.98 in)
(cutting height adjusted to 1/2 inch)

Maximum height: 1033 mm (40.67 in)
(cutting height adjusted to 3 in)

WEIGHT: 19.5 kg (43 lb) including grass bag

GRASS BAG CAPACITY: 42ℓ (11.1 US gal) (1.2 bushels)

CUTTING WIDTH: 417 mm (16.5 in)

CUTTING HEIGHT (adjustable): 1/2 in, 5/8 in, 1 in, 1 1/2 in, 2 in, 2 1/2 in, 3 in

MOTOR:

Type: Double insulated

Rated voltage: 120 V

Rated amperage: 10.0 A

Rated frequency: 60 Hz

9. WARRANTY SERVICE

Owner Satisfaction

Your satisfaction and goodwill are important to your dealer and to us. All Honda warranty details are explained in the Distributor's Limited Warranty. Normally, any problems concerning the product will be handled by your dealer's service department. If you have a warranty problem that has not been handled to your satisfaction, we suggest you take the following action:

- Discuss your problem with a member of the dealership management. Often complaints can be quickly resolved at that level. If the problem has already been reviewed with the Service Manager, contact the owner of the dealership or the General Manager.
- If your problem still has not been resolved to your satisfaction, contact the Power Equipment Customer Relations Department of American Honda Motor Co., Inc.

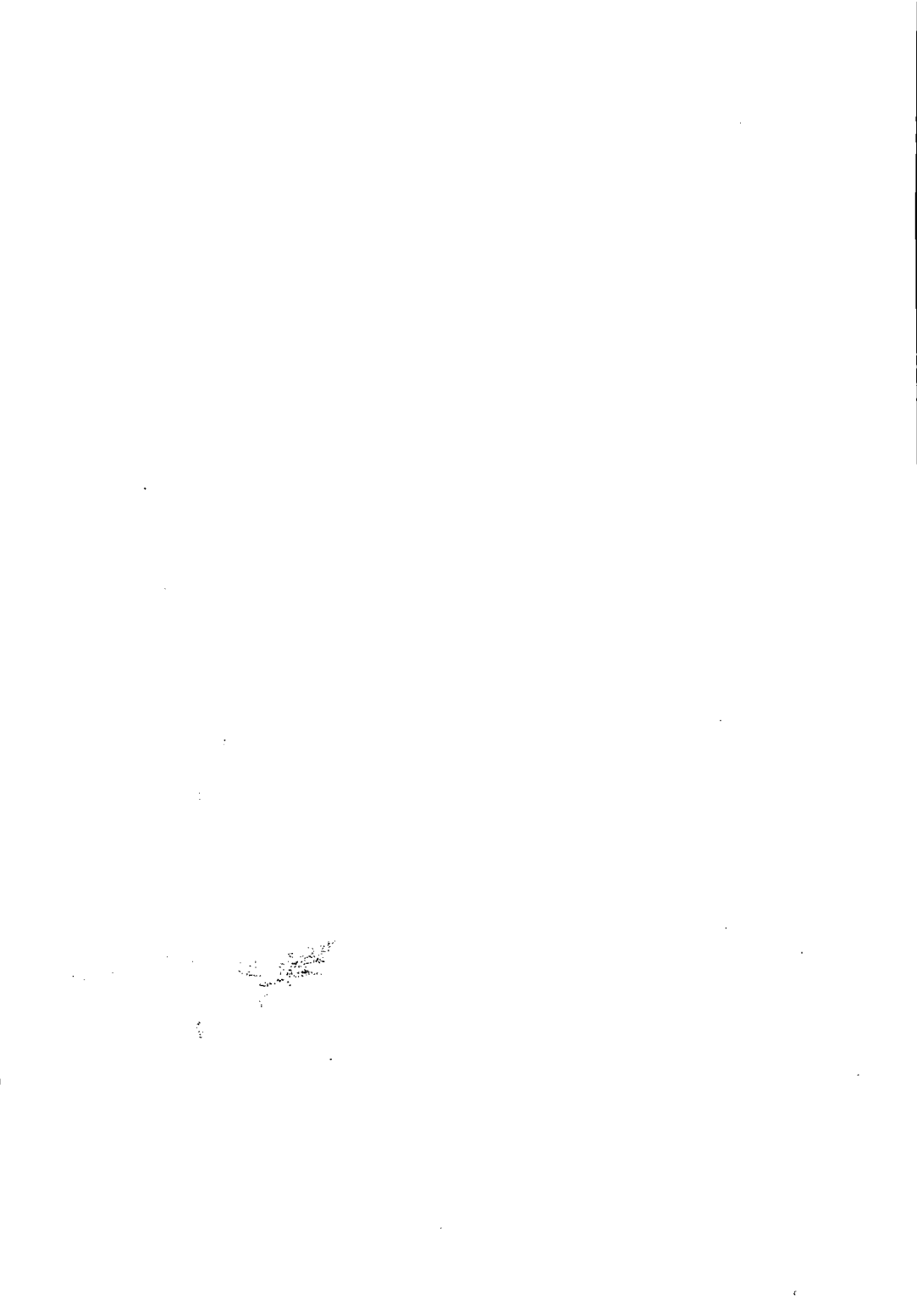
American Honda Motor Co., Inc.
Power Equipment Customer Relations Department
P.O. Box 50
Gardena, California 90247-0805
Telephone: (213) 604-2400

We will need the following information in order to assist you:

- Your name, address, and telephone number
- Product model and serial number
- Date of purchase
- Dealer name and address
- Nature of problem

After reviewing all the facts involved, you will be advised of what action can be taken. Please bear in mind that your problem will likely be resolved at the dealership, using the dealer's facilities, equipment, and personnel, so it is very important that your initial contact be with the dealer.

Your purchase of a Honda product is greatly appreciated by both your dealer and American Honda Motor Co., Inc. We want to assist you in every way possible to assure your complete satisfaction with your purchase.



P/N 31VA9601A
POM2220-50026

GN-2000 8905
PRINTED IN U.S.A.