

**HONDA**

**Power**

**Equipment**

# Owner's Manual Rotary Mower

HRS216PDA • HRS216SDA  
HRR216PDA • HRR216TDA



*See page 47 for instructions on setting up your Lawn Mower.*



## **WARNING:**



The engine exhaust from this product contains chemicals known to the State of California to cause cancer, birth defects or other reproductive harm.

Keep this owner's manual handy, so you can refer to it at any time. This owner's manual is considered a permanent part of the lawn mower and should remain with the lawn mower if resold.

The information and specifications included in this publication were in effect at the time of approval for printing. American Honda Motor Co., Inc. reserves the right, however, to discontinue or change specifications or design at any time without notice and without incurring any obligation whatever. No part of this publication may be reproduced without written permission.

# INTRODUCTION

Congratulations on your selection of a Honda lawn mower! We are certain you will be pleased with your purchase of one of the finest lawn mowers on the market.

We want to help you get the best results from your new lawn mower and to operate it safely. This manual contains the information on how to do that; please read it carefully.

As you read this manual, you will find information preceded by a **NOTICE** symbol. That information is intended to help you avoid damage to your lawn mower, other property, or the environment.

We suggest you read the *Distributor's Limited Warranty* (page 59) and the *Emission Control System Warranty* (page 61) to fully understand its coverage and your responsibilities of ownership.

When your lawn mower needs scheduled maintenance, keep in mind that your Honda servicing dealer is specially trained in servicing Honda lawn mowers. Your Honda servicing dealer is dedicated to your satisfaction and will be pleased to answer your questions and concerns.

Best Wishes,  
American Honda Motor Co., Inc.  
Power Equipment Division

# INTRODUCTION

---

## A FEW WORDS ABOUT SAFETY

Your safety and the safety of others is very important, and using this lawn mower safely is an important responsibility.

To help you make informed decisions about safety, we have provided operating procedures and other information on labels and in this manual. This information alerts you to potential hazards that could hurt you or others.

Of course, it is not practical or possible to warn you about all the hazards associated with operating or maintaining a lawn mower. You must use your own good judgment.

You will find important safety information in a variety of forms including:

- **Safety Labels**—on the lawn mower.
- **Safety Messages**—preceded by a safety alert symbol and ⚠ one of three signal words: DANGER, WARNING, or CAUTION.

These signal words mean:

**⚠ DANGER** You WILL be KILLED or SERIOUSLY HURT if you don't follow instructions.

**⚠ WARNING** You CAN be KILLED or SERIOUSLY HURT if you don't follow instructions.

**⚠ CAUTION** You CAN be HURT if you don't follow instructions.

- **Safety Headings**—such as *IMPORTANT SAFETY INFORMATION*
- **Safety Section**—such as *LAWN MOWER SAFETY*
- **Instructions**—how to use this lawn mower correctly and safely

This entire book is filled with important safety information—please read it carefully.

# CONTENTS

<b>LAWN MOWER SAFETY</b> .....	4
IMPORTANT SAFETY INFORMATION .....	4
IMPORTANT MESSAGE TO PARENTS .....	5
SAFETY LABEL LOCATIONS .....	6
<b>CONTROLS &amp; FEATURES</b> .....	7
COMPONENT & CONTROL LOCATIONS .....	7
DESCRIPTION OF CONTROLS .....	9
<b>BEFORE OPERATION</b> .....	12
ARE YOU READY TO GET STARTED? .....	12
IS YOUR LAWN MOWER READY TO GO? .....	12
CHECK YOUR WORK AREA .....	13
<b>OPERATION</b> .....	16
MOWING PRECAUTIONS .....	16
STARTING THE ENGINE .....	16
OPERATING THE CONTROLS FOR MOWING .....	18
STOPPING THE ENGINE .....	20
SAFE MOWING PRACTICES .....	21
MOWING TIPS .....	23
<b>SERVICING YOUR MOWER</b> .....	27
THE IMPORTANCE OF PROPER MAINTENANCE .....	27
MAINTENANCE SAFETY .....	28
MAINTENANCE SCHEDULE .....	29
BLADE(S) .....	30
GRASS BAG CLEANING AND REPLACEMENT .....	32
ENGINE MAINTENANCE .....	33
SPARK ARRESTER SERVICE (optional equipment) .....	37
FUEL SYSTEM .....	38
<b>STORAGE</b> .....	40
STORAGE PREPARATION .....	40
STORAGE PRECAUTIONS .....	43
REMOVAL FROM STORAGE .....	43
<b>TRANSPORTING</b> .....	44
BEFORE LOADING .....	44
LOADING AND UNLOADING .....	44
<b>TAKING CARE OF UNEXPECTED PROBLEMS</b> .....	45
ENGINE WILL NOT START .....	45
LOSS OF POWER .....	45
VIBRATION PROBLEMS .....	45
MOWING AND BAGGING PROBLEMS .....	46
<b>SET-UP</b> .....	47
BEFORE OPERATION .....	48
<b>TECHNICAL &amp; CONSUMER INFORMATION</b> .....	49
TECHNICAL INFORMATION .....	49
EMISSION CONTROL SYSTEM .....	52
SPECIFICATIONS .....	54
CONSUMER INFORMATION .....	57
<b>INDEX</b> .....	65
<b>QUICK REFERENCE INFORMATION</b> .....	inside back cover

# LAWN MOWER SAFETY

## IMPORTANT SAFETY INFORMATION

Most accidents with walk-behind mowers can be prevented if you follow all instructions in this manual and on the mower. The most common hazards, according to accident statistics, are discussed below, along with the best way to protect yourself and others.

### **Avoid Rotating Blades**

Rotating blades can cause serious cuts and even amputate fingers, hands, toes, or feet. Keep away from the mower deck whenever the engine is running. If you need to adjust the cutting height, or work around the deck for any other reason, always shut off the engine. Wear heavy gloves and disconnect the spark plug cap when you need to clean the mower deck or handle the blade.

### **Clear Mowing Area**

Mower blades can throw rocks and other objects with enough force to cause serious injury. Before mowing, carefully inspect the area and remove all sticks, stones, pieces of wire, and other loose objects. Never operate the blade over gravel.

### **Keep Shields in Place**

Guards and shields are designed to protect you from being hit by thrown objects and from hot engine parts and moving components. For your safety and the safety of others, keep all shields in place when the engine is running.

### **Refuel with Care**

Gasoline is extremely flammable and gasoline vapor can explode. Refuel only outdoors, in a well-ventilated area, with the engine OFF. Never smoke near gasoline, and keep other flames and sparks away. Always store gasoline in an approved container.

### **Wear Protective Clothing**

Wearing protective clothing will reduce your risk of injury. Long pants and eye protection reduce the risk of injuries from thrown objects. Sturdy shoes with aggressive soles will help protect your feet and give you better traction on slopes or uneven ground.

### **Turn Engine Off When Not Mowing**

If you need to leave the mower for any reason, even just to inspect the lawn ahead, always turn the engine OFF.

## IMPORTANT MESSAGE TO PARENTS

YOUR CHILDREN'S SAFETY IS VERY IMPORTANT to Honda. That's why we urge you to read this message before letting your child operate this lawn mower. Lawn mowers are tools, not toys. As with any equipment, bad judgments can result in serious injuries. You can help prevent accidents by making good decisions about if, when, and how your child operates this equipment.

The first question you'll need to ask is whether your child is capable of operating this mower safely. Remember, young people vary widely, and **AGE IS NOT THE ONLY FACTOR**.

Physically, a child must be **LARGE ENOUGH AND STRONG ENOUGH** to easily start the mower and control its direction. The child also needs enough size, strength, and coordination to comfortably reach and operate the controls.

Another, tougher question you need to ask is if your child has enough **MATURITY AND RESPONSIBILITY** to safely operate this mower. Does the young person think through problems and come to logical solutions? Be honest! Anyone who takes unnecessary risks and doesn't obey rules should not operate this lawn mower.

If you decide that your son or daughter can handle the mower safely, **CAREFULLY READ THE OWNER'S MANUAL** with your child. Make sure you both understand all instructions and safety information. Also, be sure your child wears sturdy shoes and other protective clothing when operating or handling the mower.

**SUPERVISION** is also very important. Walk with your child during the first few minutes of mowing. Even after the child has become confident with the mower, do not let the young person use the mower without good adult supervision. An adult should also be present during refueling and maintenance. In fact, it's up to parents to make sure that the mower is properly maintained and kept in safe operating condition.

By always placing safety first, your child will acquire useful skills and a sense of accomplishment. And you'll both get the best results from your lawn mower.

# LAWN MOWER SAFETY

## SAFETY LABEL LOCATIONS

The labels shown here contain important safety information. Please read them carefully. These labels are considered permanent parts of your mower. If a label comes off or becomes hard to read, contact an authorized Honda dealer for a replacement.

### **⚠ WARNING**

#### **AVOID SERIOUS INJURY OR DEATH.**

- Follow all instructions in Owner's Manual.
- Go across slopes, not up and down.
- Do not mow when children or others are around.
- Look down and behind, before and while moving backwards.
- Keep safety devices (guards, shields, switches, etc.) in place and working.

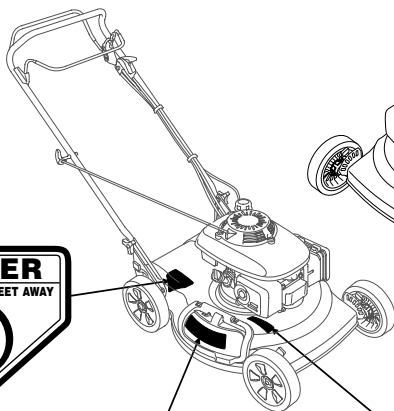
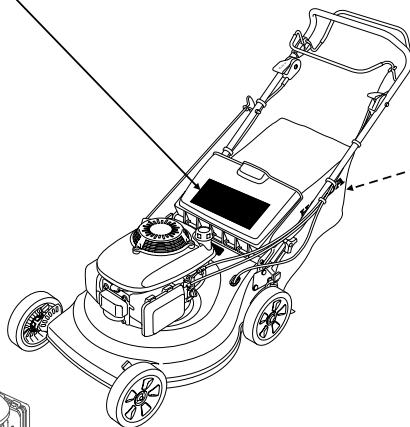
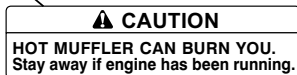
### **⚠ WARNING**

#### **OBJECTS THROWN BY BLADE CAN CAUSE SERIOUS INJURY.**

- Inspect area and remove debris before mowing.
- Keep children and others away.
- Wear eye protection.
- Do not operate unless bag or chute are installed or guard is in place.

### **⚠ CAUTION**

UNDER NORMAL USAGE, THIS BAG MATERIAL IS SUBJECT TO DETERIORATION AND WEAR, AND SHOULD BE CHECKED FREQUENTLY FOR BAG REPLACEMENT. THIS BAG CONFORMS TO A.N.S.I. STANDARD B71.1 ANY REPLACEMENT MUST MEET THIS STANDARD.

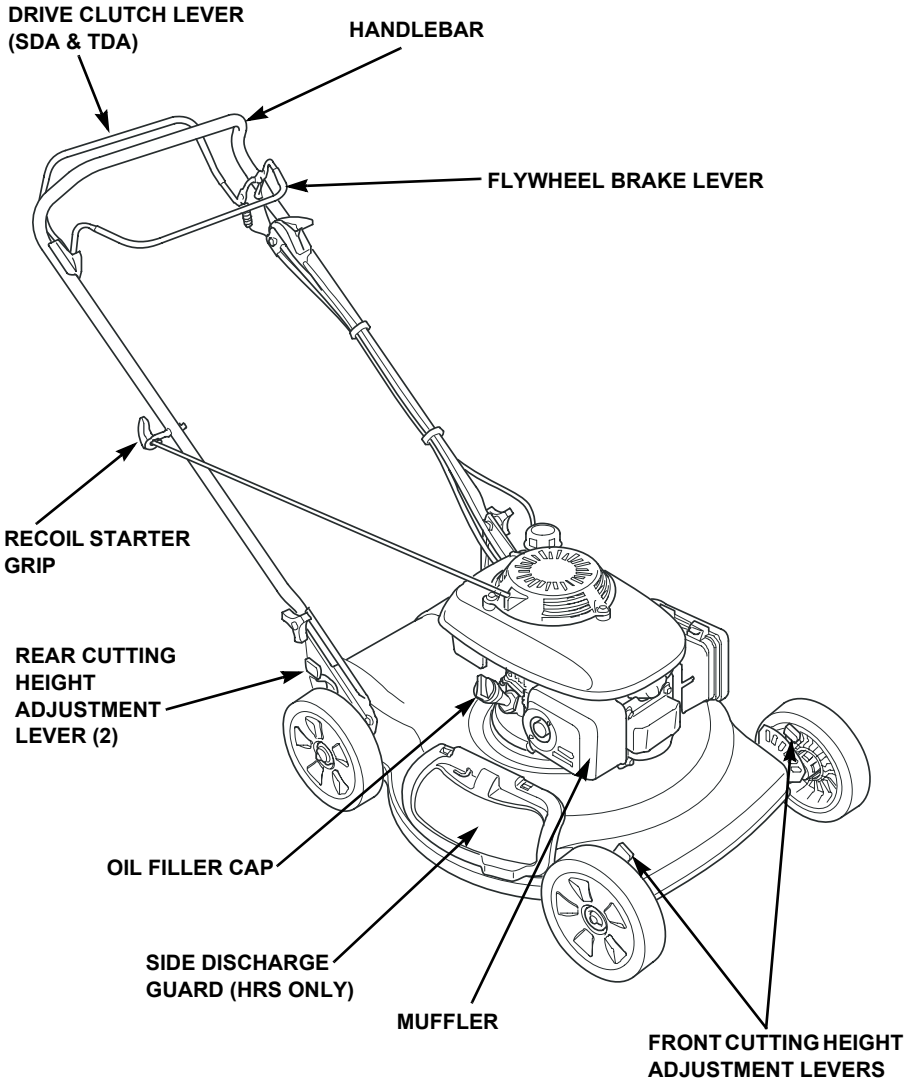




# CONTROLS & FEATURES

## COMPONENT & CONTROL LOCATIONS

Use the illustrations on the following pages to locate and identify the most frequently used controls.

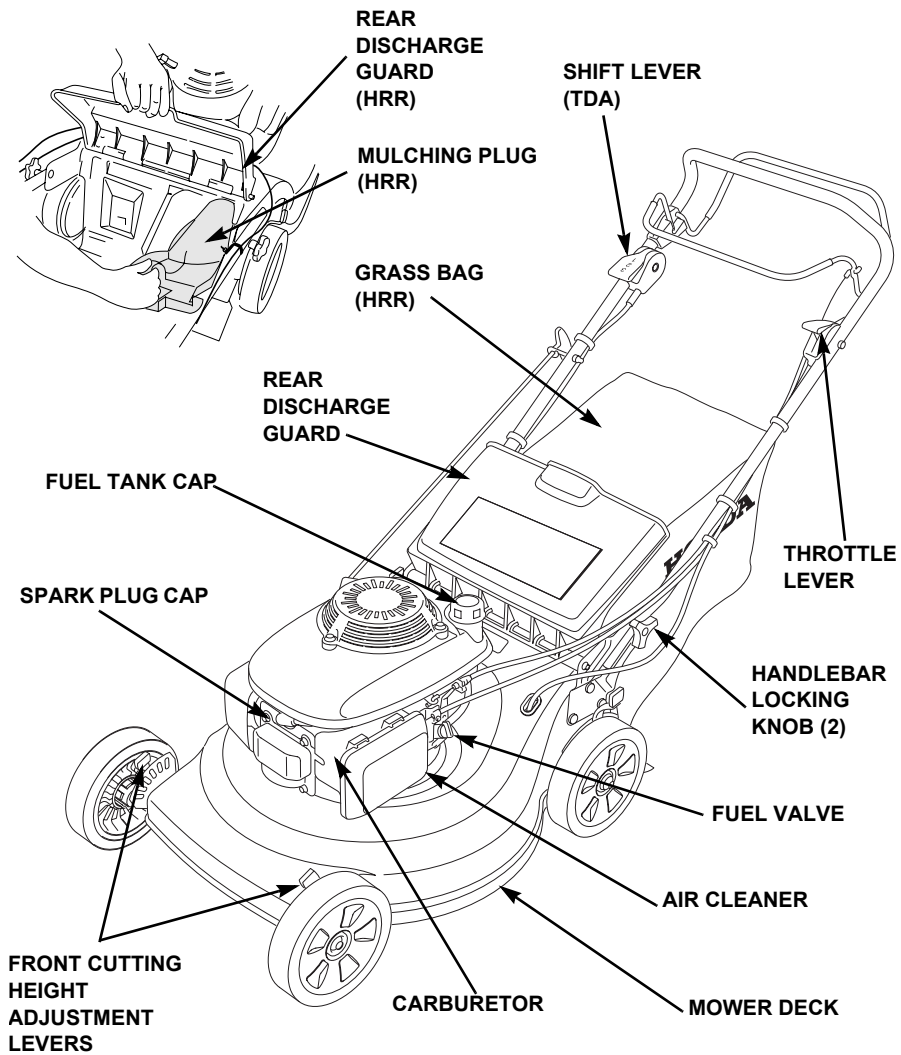


### Model Identification

To easily identify your model, refer to the chart on page 54.

# CONTROLS & FEATURES

---

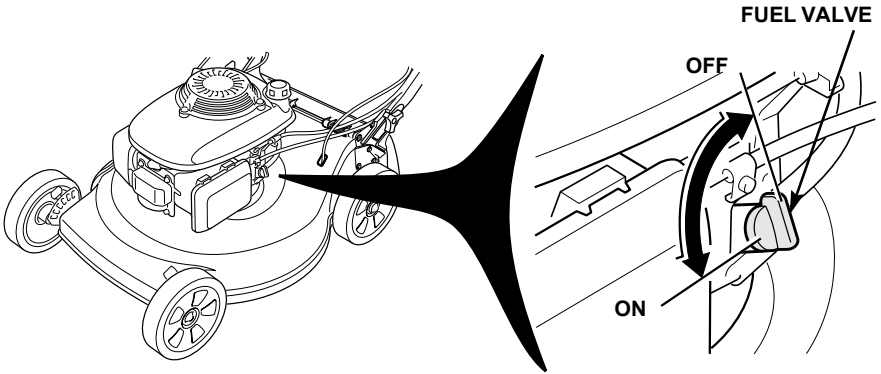


# CONTROLS & FEATURES

## DESCRIPTION OF CONTROLS

### Fuel Valve

The fuel valve controls fuel flow from the fuel tank to the carburetor. The fuel valve must be ON to start and operate the mower. The fuel valve should be kept OFF when the mower is not in use.



### Throttle Lever



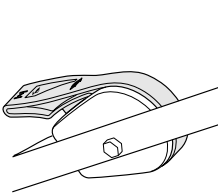
**CHOKE** For starting a cold engine.



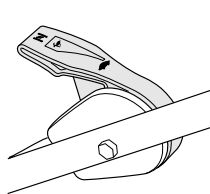
**FAST** For restarting a warm engine and for mowing.



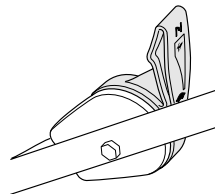
**SLOW** For idling the engine.



**CHOKE**



**FAST**



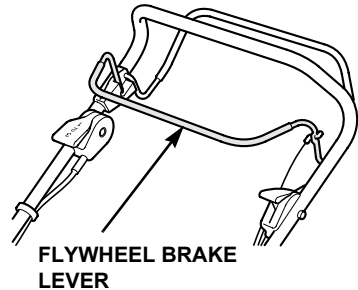
**SLOW**

# CONTROLS & FEATURES

---

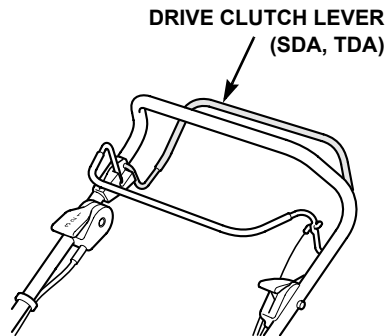
## Flywheel Brake Lever

This lever is connected to the engine flywheel brake and the engine switch. The engine will not start or run unless this lever is held against the handlebar.



## Drive Clutch Lever (SDA, TDA)

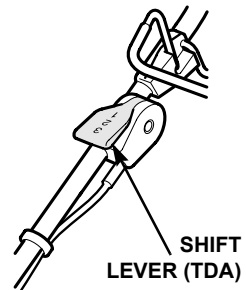
The drive clutch lever engages and disengages the transmission that drives the rear wheels. The drive clutch lever should only be engaged after the engine has been warmed up.



## Shift Lever (TDA)

The shift lever selects the mower ground speed.

- |            |  |
|------------|--|
| 1 (slow)   | For mowing thick grass or maneuvering in small areas.                    |
| 2 (medium) | For intermediate self-propelled speed.                                   |
| 3 (fast)   | For maximum self-propelled speed in large, open areas and for transport. |

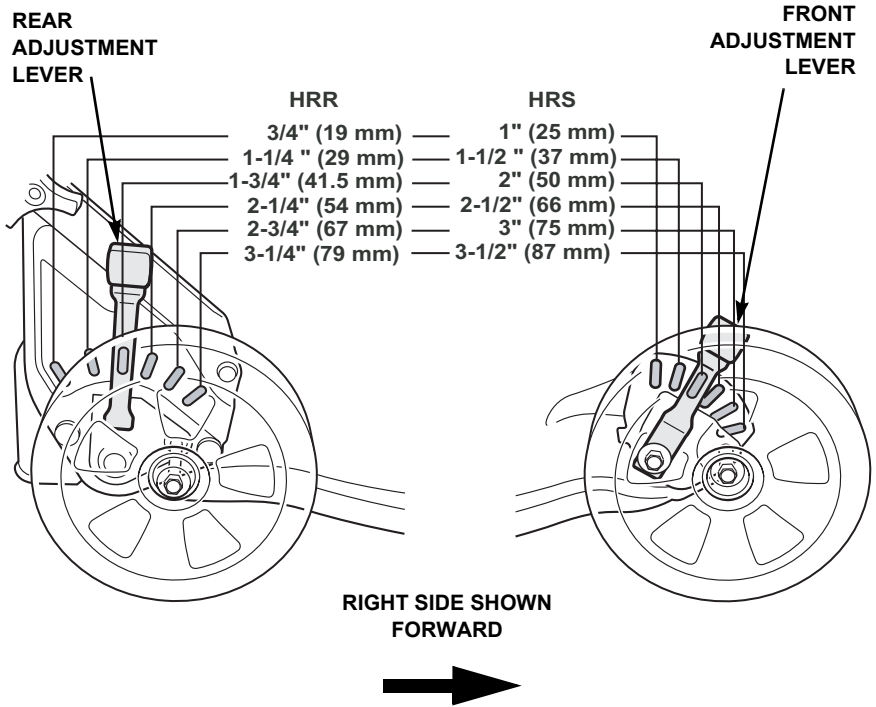


# CONTROLS & FEATURES

## Cutting Height Adjustment Levers

The mower deck can be set to any of the six approximate settings. Each wheel should be adjusted to the same position.

- Lower deck Move both the front and rear adjusters backward.
- Raise deck Move both the front and rear adjusters forward.



# BEFORE OPERATION

## ARE YOU READY TO GET STARTED?

Your safety is your responsibility. A little time spent in preparation will significantly reduce your risk of injury.

### Knowledge

Read and understand this manual. Know what the controls do and how to operate them.

Familiarize yourself with the lawn mower and its operation before you begin using it. Know how to quickly shut off the lawn mower in case of an emergency.

## IS YOUR LAWN MOWER READY TO GO?

For your safety, and to maximize the service life of your lawn mower, it is very important to take a few moments before you operate the lawn mower to check its condition. Be sure to take care of any problem you find, or have your servicing dealer correct it, before you operate the lawn mower.

### **WARNING**

Improperly maintaining this lawn mower, or failing to correct a problem before operation, could cause a malfunction in which you could be seriously injured.

Always perform a pre-operation inspection before each operation, and correct any problem.

Before beginning your pre-operation checks, be sure the lawn mower is on a level surface.

## BEFORE OPERATION

---

### **Check the General Condition of the Lawn Mower:**

- Look around and underneath the lawn mower for signs of oil or gasoline leaks.
- Look for signs of damage.
- Check each control for proper operation.
- Check the blades for wear. Replace as necessary (page 30). Check that the blade bolts are tight (page 32).
- Check that all nuts, bolts, screws are tightened.

### **Check the Engine**

- Check the air cleaner (page 35) and oil level (page 33).
- Check the fuel level (page 38). Starting with a full tank will help to eliminate or reduce operating interruptions for refueling.

## **CHECK YOUR WORK AREA**

For your safety and the safety of others, always inspect the area before operating the lawn mower.

### **Objects**

Anything which can be picked up by the blade and thrown is a potential hazard to you and others. Look for things like stones, sticks, nails, and wire, and remove them from the work area.

### **People and Pets**

People and animals near the work area can move into your lawn mower's path or into a position where they could be struck by thrown objects. Clear the area of people, especially children and pets. Their safety is your responsibility.

### **Work Area**

Check the condition of the grass. Adjust your lawn mower ground speed and mowing swath accordingly.

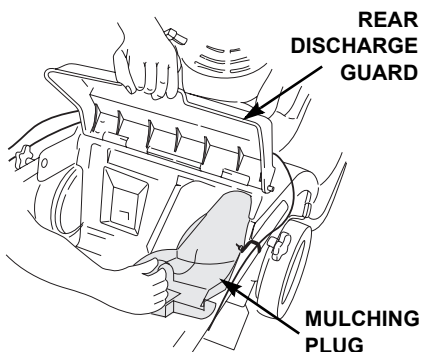
## BEFORE OPERATION

---

### Mulching Plug (HRR)

The mulching plug helps to curve the inside of the mower deck for more efficient mulching.

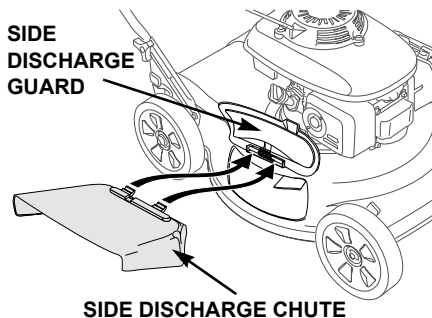
Install and remove the mulching plug by raising the rear discharge guard as shown. The mulching plug only fits one way. Remove the mulching plug when using a grass bag.



### Side Discharge Chute (HRS)

To discharge clippings to the side, install the side discharge chute as shown.

Remove the side discharge chute when mulching.

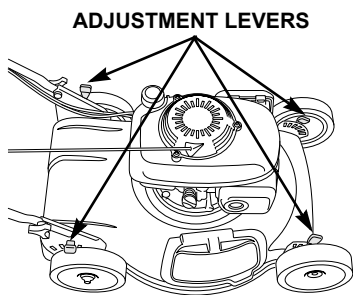


### Cutting Height

Set all four adjustment levers to the same cutting height position. Each position changes the height approximately 1/2 inch (13 mm).

To adjust cutting height, pull each adjustment lever toward the wheel, and move it into another notch.

If you are not sure what cutting height to select, start with a high setting and check the appearance of the lawn after mowing a small area. Readjust cutting height if necessary.





## BEFORE OPERATION

---

### Grass Bag (HRR)

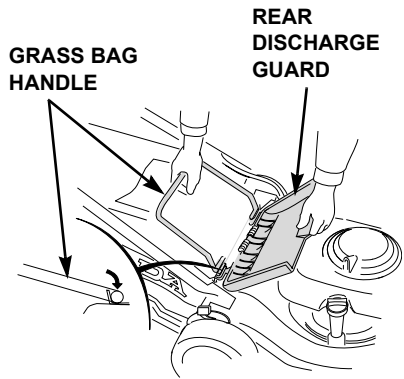
A lawn mower works like a vacuum cleaner; it blows air through the bag, which traps the grass clippings. Always empty the grass bag before it becomes filled to the limit of its capacity. Bagging performance will diminish after the bag becomes about 90% full. Also, the bag is easier to empty when not packed full.

### Inspection

Inspect the grass bag before use. Check for holes, tears, and excessive wear. The grass bag does wear during normal use, and will eventually require replacement (page 31).

### Installation

1. Raise the rear discharge guard and remove the mulching plug. Hook the grass bag frame onto the mower deck as shown.
2. Release the rear discharge guard to secure the grass bag in place.



### Removal

1. Raise the rear discharge guard, grasp the grass bag handle, and remove the grass bag.
2. Release the rear discharge guard.
3. When the grass bag is clear of the rear discharge, you can lift the grass bag through the handlebars or remove it from the rear of the mower below the handlebar.

# OPERATION

## MOWING PRECAUTIONS

Before operating the mower for the first time, please review the *LAWN MOWER SAFETY* chapter beginning on page 4 and the *BEFORE OPERATION* chapter beginning on page 12.

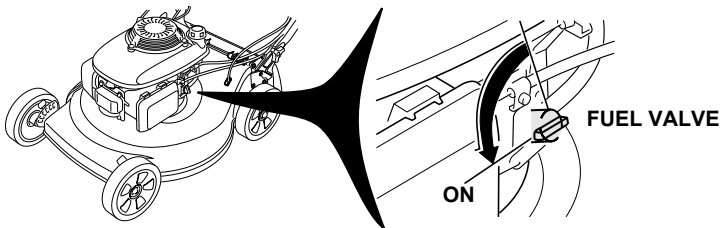
Even if you have operated other mowers, take time to become familiar with how this mower works and practice in a safe area until you build up your skills.

For your safety, avoid starting or operating the engine in an enclosed area, such as a garage. Your mower's exhaust contains poisonous carbon monoxide gas which can collect rapidly in an enclosed area and cause illness or death.

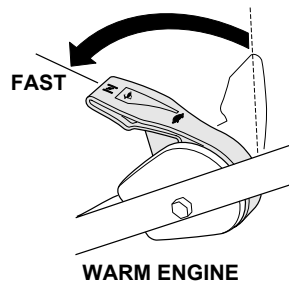
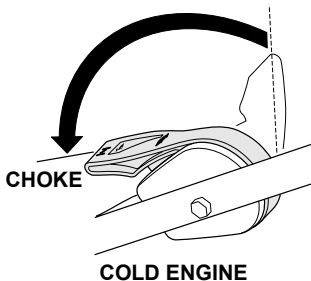
## STARTING THE ENGINE

The blade turns when you pull the starter grip. It is easiest to start the engine in a clear or mowed area where the blade can turn freely.

1. Turn the fuel valve to the ON position.



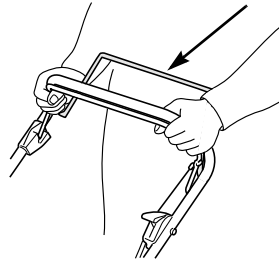
2. Move the throttle lever to CHOKE for a cold engine, or FAST for a warm engine.



## OPERATION

3. **SDA, TDA:** Release the drive clutch lever (page 10). If the drive clutch lever is engaged, the mower will move forward when you operate the starter.

DRIVE CLUTCH LEVER (SDA, TDA)



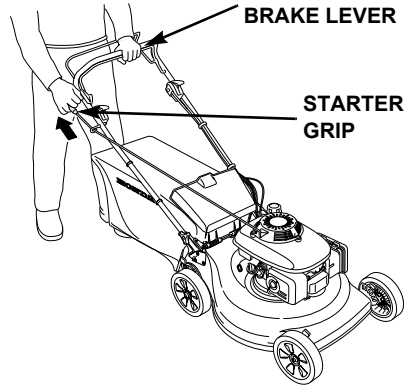
4. Pull back on the flywheel brake lever and hold it against the handlebar.

5. Pull the starter grip lightly until you feel resistance, then pull briskly. Return the starter grip gently.

Keep your hands and feet away from the mower deck at all times when starting and running the engine.

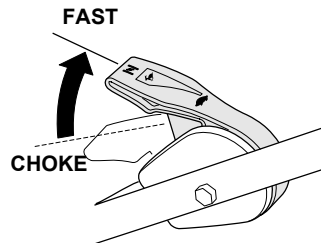
Continue to hold the flywheel brake lever against the handlebar; the engine will stop if you release the lever.

FLYWHEEL  
BRAKE LEVER



STARTER  
GRIP

6. If the **CHOKE** position was used during starting, move the throttle lever away from the **CHOKE** position as soon as the engine warms up enough to run smoothly. Set the throttle lever at **FAST** to mow or at **SLOW** to idle.



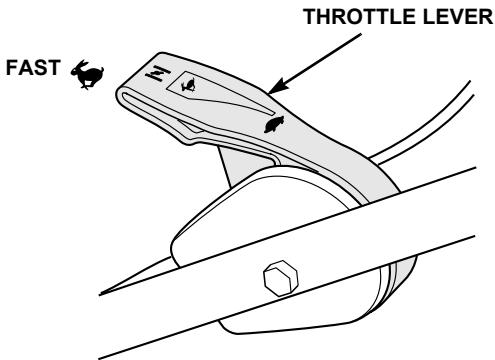
# OPERATION

---

## OPERATING THE CONTROLS FOR MOWING

### Throttle Lever

For best cut quality, always mow with the throttle lever in the FAST position. When the blades rotate at the preset fast speed, it creates a strong fan action that lifts and cuts grass more efficiently. Do not try to increase the preset engine speed, the blade(s) could fracture and come apart.



When you need to leave the mower for any reason, move the throttle to SLOW, then turn the engine OFF by releasing the flywheel brake lever.

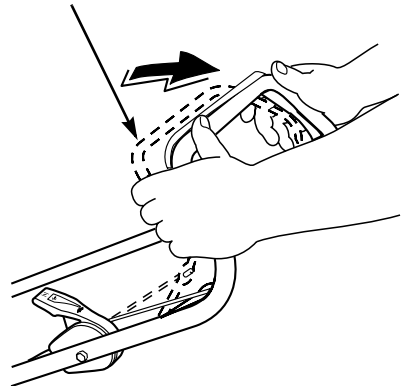
### Flywheel Brake Lever

The lever must be pulled back against the handlebar to start and run the engine. The blade starts to rotate when the lever is pulled back against the handlebar and the recoil starter grip is pulled.

Continue to hold the lever against the handlebar to keep the engine running and the blade rotating.

Release the lever to stop the engine and stop blade rotation.

FLYWHEEL BRAKE LEVER

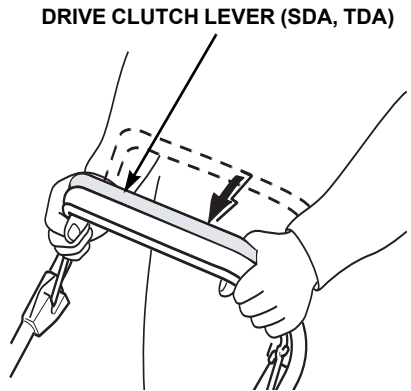


## Drive Clutch Lever (SDA, TDA)

Push the drive clutch lever forward and hold it against the handlebar to propel the mower forward.

Release the drive clutch lever to stop the mower's forward movement.

Always release the drive clutch lever before starting the engine. If the drive clutch is engaged, the mower will move forward when you operate the starter.



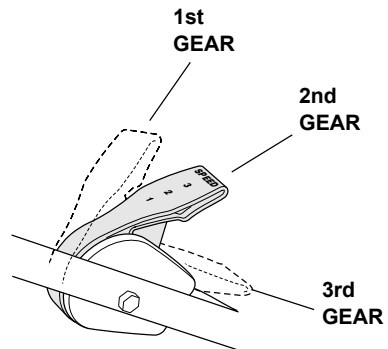
Operate the drive clutch lever with a quick and complete motion, so the drive clutch is either fully engaged or fully released. Hold the drive clutch lever against the handlebar during self-propelled mowing. This will help to extend the service life of the clutch mechanism.

## Shift Lever (TDA)

Use the shift lever to adjust the forward speed of the mower. Do not use the throttle lever; the throttle lever must be kept in the FAST position for the best mowing performance.

You may move the shift lever anytime; however, if the mower is pulling hard, release the drive clutch lever between shifts for smooth operation.

1st and 2nd gears are recommended for maximum mowing performance. 3rd gear should be used to transport the mower.

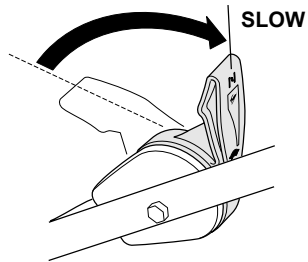


# OPERATION

---

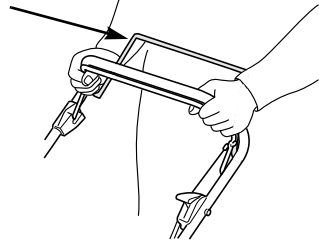
## STOPPING THE ENGINE

1. Move the throttle lever to the SLOW position.



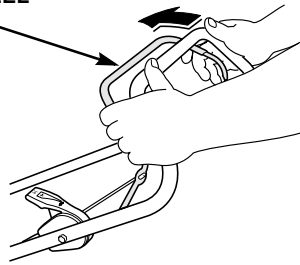
2. Release the drive clutch lever (SDA, TDA).

DRIVE CLUTCH LEVER (SDA, TDA)

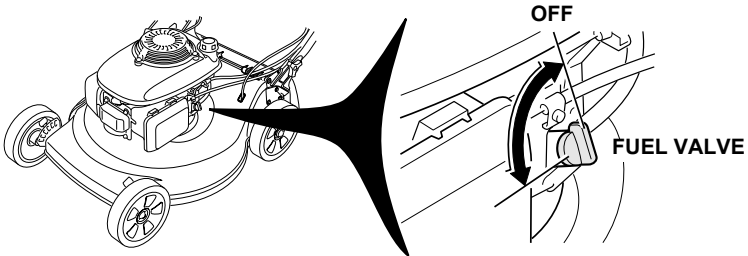


3. Release the flywheel brake lever.

FLYWHEEL BRAKE LEVER



4. When the mower is not in use, turn the fuel valve to OFF.



## SAFE MOWING PRACTICES

For your safety, keep all four wheels on the ground, and be careful to avoid losing your footing and control of the mower. Keep a firm grip on the handlebar and walk, never run, with the mower. Be very careful when mowing uneven or rough ground. If stuck, do not kick or push the mower with your foot. Use the handlebar only.

### **WARNING**

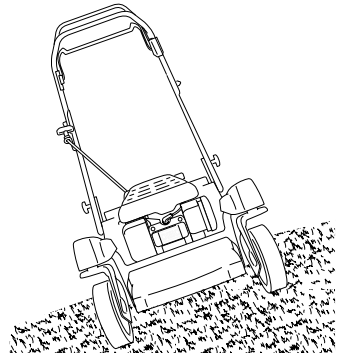
The blade is sharp and spins at high speed. A spinning blade can cut you severely and can amputate fingers and toes.

- Wear protective footwear
- Keep your hands and feet away from the mower deck while the engine is running.
- Stop the engine before performing any adjustment, inspection, or maintenance.

## Slopes

### ***All Models:***

Mow across slopes, not up and down. Avoid steep slopes (more than 20°), and be careful when changing direction. Mowing on a slope when the grass is damp or wet could cause you to slip, fall, and lose control of the mower.



# OPERATION

---

## Obstacles

Use the side of the mower to cut close to obstacles, such as fences or walls. Release the drive clutch lever to disengage the drive when mowing around trees and other obstacles. Push the mower around obstacles for better directional control. Be careful when mowing over obstacles embedded in the lawn, such as sprinkler heads, paving, edging, etc. Avoid anything sticking up above the surface of the lawn. If the blade hits something, or if the mower starts to vibrate, stop the engine immediately, disconnect the spark plug cap, and check for damage (page 30). Striking objects may damage the blade, bend the crankshaft, and/or break the mower deck or other components. Vibration usually indicates serious trouble.

### **WARNING**

A worn, cracked, or damaged blade can break, and pieces of the damaged blade can become dangerous projectiles.

Thrown objects can cause serious injury.

Inspect the blade(s) regularly, and do not operate the mower with a worn or damaged blade.

The *Distributor's Limited Warranty* (page 59) does not cover parts damaged by accident or collision.

## Gravel and Loose Objects

Gravel, loose stones, and landscaping material can be picked up by the mower and thrown many feet with enough force to cause serious personal injury and/or property damage. The best way to prevent potential injury from thrown objects is to release the flywheel brake lever to stop the blade before reaching areas with gravel, loose stones, or landscaping material.



## MOWING TIPS

### Which Blade?

Grasses and lawn conditions vary greatly, so these models can use various combinations of standard and accessory blades. Use this blade application guide to help determine which blade(s) are best suited for your lawn. For more information about blades, see page 58.

Model	Performance			Blade(s)	Part Number
	Mulching	Bagging	Side Discharge		
HRS	Good	Good	Good	Standard low-lift single	72511-VG3-000
	Best	Best	Best	Optional upper mulching Optional high-lift lower	72531-VE2-020 72511-VE1-020
HRR*	Best	Best	Best	Standard upper mulching Standard high-lift lower	72531-VE2-020 72511-VE1-020

\* Always use an upper and lower blade on HRR models

### When to Mow

Most grasses should be mowed when they have grown ½ to 1 inch above their recommended height. More frequent mowing is required for mulching than for bagging. For best mulching results, you may need to mow the lawn twice a week during the growing season.

### Cutting Height

Consult a local nursery or lawn and garden center for cutting height recommendations and advice about specific types of grasses and growing conditions in your area.

Most grass has stems and leaves. If you cut off the leaves, you'll scalp the lawn. Let the grass recover between mowings. Your mower will work better, and your lawn will look better.

If your grass gets too tall, cut it once at the highest cutting height setting, then mow again in 2 or 3 days. Don't take off more than one third of total grass height in any one mowing, or brown patches may develop. Cutting height adjustment is explained on page 11.

# OPERATION

---

## **Cutting Width**

For an even lawn finish, overlap each mowing swath by a few inches. If the grass is very tall or thick, use more overlap and a narrower mowing swath.

## **Blade Speed**

The blade(s) must spin very fast to cut properly. Always use the FAST throttle setting. If engine speed drops, it could mean the engine is being overloaded by the blade(s) trying to cut too much grass. Mow a narrower swath, move the mower slower, install the discharge chute, or raise the cutting height.

## **Blade Sharpness**

A sharp blade cuts cleanly. A dull blade tears the grass, leaving shredded ends that turn brown. When your blades don't cut cleanly anymore, have them sharpened or replaced.

### **Dry Grass**

If the ground is too dry, mowing will stir up a lot of dust. Besides being unpleasant to work in, too much dust will clog the air filter. If dust is a problem, water your lawn the day before mowing. Mow when the grass is dry to your touch, but the soil is still moist.

### **Wet Grass**

Wet grass is slippery and can make you lose your footing. Also, wet grass clippings will clog the mower deck and collect in clumps on the lawn. Always wait for wet grass to dry before mowing.

### **Fallen Leaves**

When equipped with the grass bag (optional for HRS models), your mower can be used to pick up fallen leaves for disposal. If using the mower to bag large amounts of fallen leaves, and not for mowing, set the cutting height adjustment levers so the front of the mower deck is one or two settings higher than the rear.

If you want to mulch fallen leaves into your lawn, don't let the leaf cover get too deep before you begin. For best results, start mulching while grass still shows through the leaf cover. In places where fallen leaves completely cover the grass, remove the leaves by raking, or install a grass bag, so your mower can pick them up for disposal.

### **Clogged Mower Deck**

Before clearing a clogged mower deck, stop the engine and turn the fuel valve to the OFF position. With the spark plug cap disconnected, tilt the mower so the air filter side is up.

Clear a clogged deck with a stick, not your hands.

# OPERATION

---

## Mowing Patterns

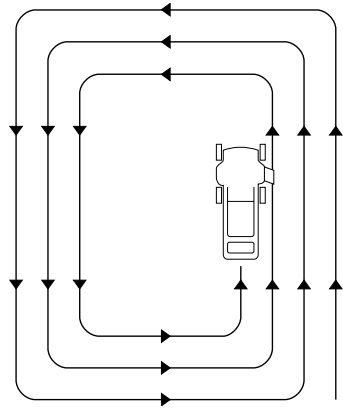
Your Honda mower will work most efficiently if you use the following mowing patterns as much as possible. Mower deck and equipment design, and the direction in which the blade rotates, cause these mowing patterns to give the best results.

### **Mulching**

Use a counterclockwise mowing pattern. If the lawn has an irregular shape, or many obstacles, divide it into sections where you can use counterclockwise patterns.

### **Side-Discharge Mowing (HRS)**

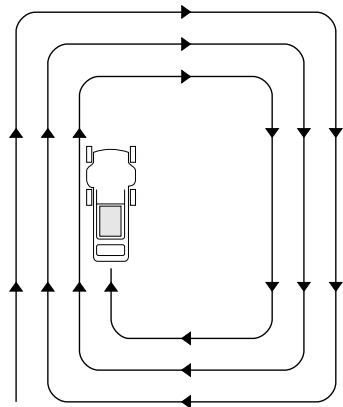
Where possible, use the same mowing pattern recommended for mulching. If the lawn has an irregular shape, or many obstacles, divide it into sections where clippings will be discharged away from uncut areas. This will prevent clippings from piling up in the path of the mower.



**MULCHING AND  
SIDE-DISCHARGE PATTERN**

### **Bagging (HRR)**

Use a clockwise mowing pattern. This will give the best bagging performance, leaving the least amount of clippings on the lawn. For thick, heavy grass, an optional high-lift bagging blade (page 58) may be purchased from an authorized servicing Honda dealer.



**BAGGING PATTERN**

# SERVICING YOUR MOWER

## THE IMPORTANCE OF PROPER MAINTENANCE

Proper maintenance is essential for safe, economical, and trouble-free operation. It will also help reduce air pollution.

### **WARNING**

Improper maintenance, or failure to correct a problem before operation, can cause a malfunction in which you can be seriously hurt or killed.

Always follow the inspection and maintenance recommendations and schedules in this owner's manual.

To help you properly care for your mower, the following pages include a maintenance schedule, routine inspection procedures, and simple maintenance procedures using basic hand tools. Other service tasks that are more difficult, or require special tools, are best handled by professionals and are normally performed by a Honda technician or other qualified mechanic.

The maintenance schedule applies to normal operating conditions. If you operate your mower under severe conditions, such as sustained high-load or high-temperature operation, or use in unusually wet or dusty conditions, consult your servicing dealer for recommendations applicable to your individual needs and use.

**Maintenance, replacement, or repair of the emission control devices and systems may be performed by any engine repair establishment or individual, using parts that are “certified” to EPA standards.**

# SERVICING YOUR MOWER

---

## MAINTENANCE SAFETY

Some of the most important safety precautions follow. However, we cannot warn you of every conceivable hazard that can arise in performing maintenance. Only you can decide whether or not you should perform a given task.

### **WARNING**

Failure to properly follow maintenance instructions and precautions can cause you to be seriously hurt or killed.

Always follow the procedures and precautions in the owner's manual.

### Safety Precautions

- Make sure the engine is off before you begin any maintenance or repairs. This will eliminate several potential hazards:
  - **Carbon monoxide poisoning from engine exhaust.**  
Be sure there is adequate ventilation whenever you operate the engine.
  - **Burns from hot parts.**  
Let the engine and exhaust system cool before touching.
  - **Injury from moving parts.**  
Do not run the engine unless instructed to do so.
- Read the instructions before you begin, and make sure you have the tools and skills required.
- To reduce the possibility of fire or explosion, be careful when working around gasoline. Use only a nonflammable solvent, not gasoline, to clean parts. Keep cigarettes, sparks, and flames away from all fuel-related parts.

Remember that an authorized Honda servicing dealer knows your mower best and is fully equipped to maintain and repair it.

To ensure the best quality and reliability, use only new, genuine Honda parts or their equivalents for repair and replacement.

# SERVICING YOUR MOWER

## MAINTENANCE SCHEDULE

ITEM	Perform at every indicated interval	REGULAR SERVICE PERIOD						See page
		Before each use	First month or 5 hours	Every year or 25 hours	Every 50 hours	Every 100 hours	Every 150 hours	
Blade(s)	Check condition	O						30
	Check bolt torque	O						32
Grass bag (HRR)	Check	O						32
Engine oil	Check	O						33
	Change		O		O (1)			34
Air cleaner	Check	O						35
	Clean			O (1)				
	Replace						O (1)	
Spark plug	Check-Adjust					O		36
	Replace						O	
Spark arrester (optional equipment)	Clean-Inspect					O		37
Valve clearance	Adjust						O (2)	-
Pinion gear (SDA, TDA)	Lubricate					O (2)		-
Idle speed	Check-Adjust						O (2)	-
Throttle cable	Adjust					O (2)		-
Flywheel brake	Check operation					O		39
	Check pad					O (2)		-
Combustion chamber	Clean	After every 250 hours (2)						-
Fuel system	Clean tank						O (2)	-
	Check line	Every 2 years [replace if necessary (2)]						-

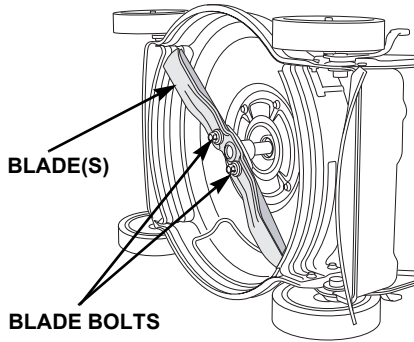
- (1) Service more frequently when used in dusty areas.
- (2) These items should only be serviced by an authorized Honda servicing lawn mower dealer, unless you are mechanically proficient and have the proper tools. Refer to the Honda shop manual for service procedures.

Failure to follow this maintenance schedule could result in non-warrantable failures.

# SERVICING YOUR MOWER

## BLADE(S)

1. Turn the fuel valve to OFF (page 9). Disconnect the spark plug cap from the spark plug (page 36).
2. Tilt the mower to the right, so the air filter side is up. This will help to prevent fuel leakage and hard starting.
3. Inspect the blade(s) for wear and damage.

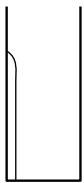


### **⚠ WARNING**

A worn, cracked, or damaged blade can break, and pieces of the damaged blade can become dangerous projectiles.

Thrown objects can cause serious injury.

Inspect the blade(s) regularly. Do not operate the mower with a worn or damaged blade.



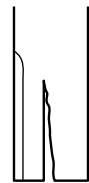
**NORMAL**



**EXCESSIVELY  
WORN**



**BENT**



**CRACKED**

A dull blade can be sharpened, but a blade that is worn out, bent, cracked, or otherwise damaged must be replaced. A worn or damaged blade can break, causing blade pieces to be thrown from the mower.

When a blade needs sharpening or replacement, take the lawn mower to an authorized Honda servicing dealer. Or, if you have a torque wrench, you can remove and install the blade(s) yourself (page 31).

Check that the blade bolts are tight (page 32).



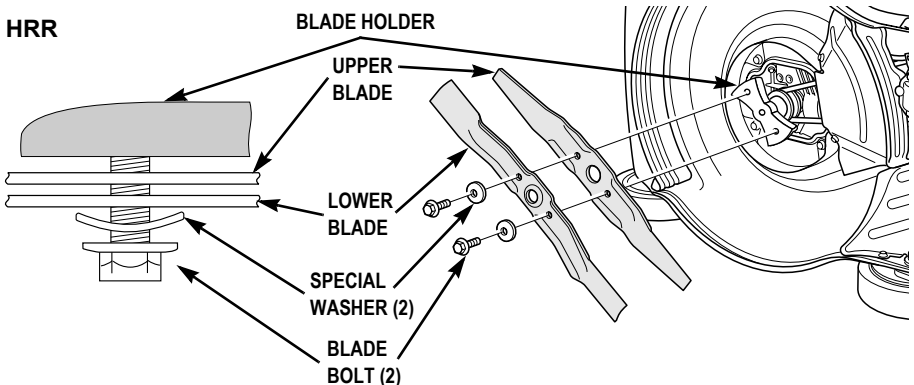
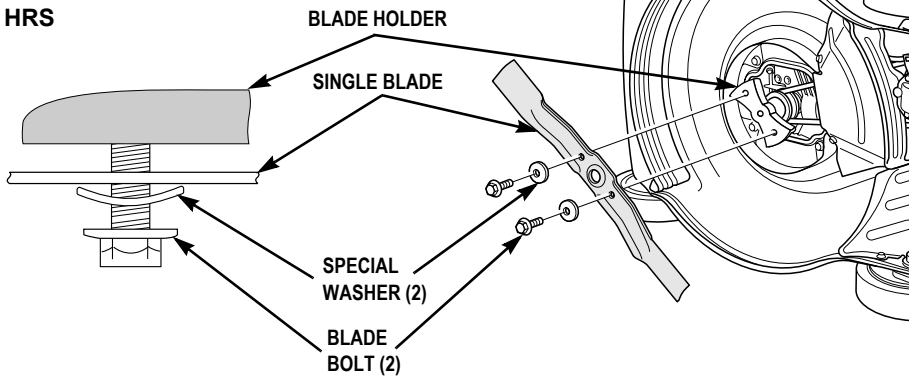
# SERVICING YOUR MOWER

## Blade Removal and Installation

If you remove the blade(s), use a torque wrench for installation. Wear heavy gloves to protect your hands. To avoid weakening the blade(s), or causing imbalance or poor cutting, the blade(s) should be sharpened by trained staff at an authorized Honda servicing dealer. If replacing the blade, use a genuine Honda replacement blade(s) or equivalent.

### Blade Removal

1. Turn the fuel valve to OFF. Disconnect the spark plug cap, then tilt the mower to the right side (air filter side up).
2. Remove the two blade bolts with a 14 mm socket. Use a wooden block to prevent the blade(s) from turning when removing the bolts. Remove the blade(s) from the blade holder.



Always use an upper and lower blade on the HRR models.

# SERVICING YOUR MOWER

---

## **Blade Installation**

1. Clean around the blade holder. Install the blade(s) using the bolts and special washers as shown [concave side of the special washers toward the blade(s)].

The blade bolts and washers are specially designed for the mower. Should you ever have to replace them, use only genuine Honda parts. Otherwise, a blade may become detached from the mower and cause serious injury.

2. Tighten the bolts with a torque wrench. Use a wooden block to stop the blade(s) from turning.

**Blade bolt torque:** 36 ~ 43 ft-lb (49 ~ 59 N·m)

If you don't have a torque wrench, have an authorized Honda servicing dealer tighten the blade bolts before you use the mower. If the blade bolts are overtightened, they could break. If the blade bolts are not tightened enough, they could loosen or come out. In either case, it would be possible for the blade to fly off while you are operating the mower.

## **GRASS BAG CLEANING AND REPLACEMENT**

### **(HRR)**

#### **Grass Bag Cleaning**

Wash the bag with a garden hose, and allow it to dry completely before use; a wet bag will clog quickly.

#### **Grass Bag Replacement**

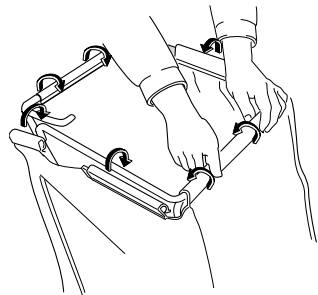
Replace a worn or damaged bag with a genuine Honda bag or its equivalent.

#### **Bag Removal**

Unclip the plastic edges of the bag from the frame. Remove the bag from the frame.

#### **Bag Installation**

Insert the frame into the new bag. Clip the plastic edges to the frame as shown.

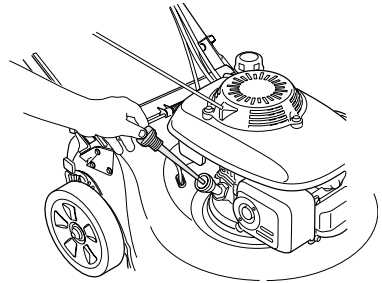


# SERVICING YOUR MOWER

## ENGINE MAINTENANCE

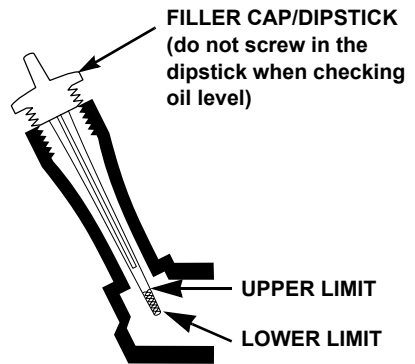
### Engine Oil Level Check

1. Remove the dipstick and wipe it clean.
2. Insert and remove the dipstick **without screwing it into the filler neck**. Check the oil level shown on the dipstick.
3. If the oil level is low, add oil to bring the level between the upper and lower limit marks on the dipstick as shown. **Do not overfill**. If the engine is overfilled, the excess oil may transfer to the air cleaner housing and filter.



### NOTICE

*Running the engine with a low oil level can cause engine damage.*

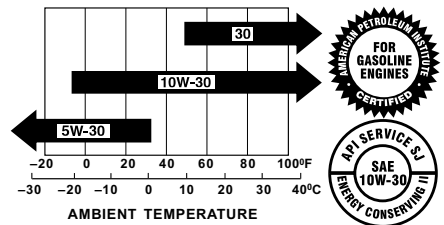


4. Screw in the filler cap/dipstick securely.

### Engine Oil Recommendations

Oil is a major factor affecting performance and service life. Use 4-stroke automotive detergent oil.

SAE 10W-30 is recommended for general use. Other viscosities shown in the chart may be used when the average temperature in your area is within the recommended range.



The SAE oil viscosity and service classification are in the API label on the oil container. Honda recommends that you use API SERVICE category SJ or later oil.

# SERVICING YOUR MOWER

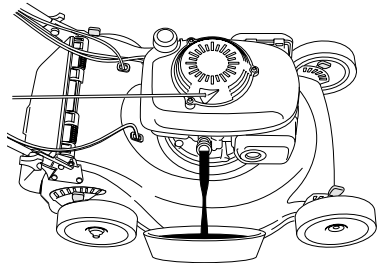
---

## Engine Oil Change

Drain the used oil while the engine is warm. Warm oil drains quickly and completely.

1. Turn the fuel valve to OFF to reduce the possibility of fuel leakage (page 20).
2. Wipe the oil filler area clean, then remove the oil filler cap/dipstick.
3. Place a suitable container next to the mower to catch the used oil, then tilt the mower on its right side.

The used oil will drain through the filler neck. Allow the oil to drain completely.



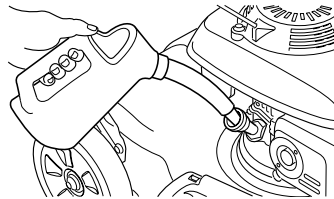
### NOTICE

*Improper disposal of engine oil can be harmful to the environment. If you change your own oil, please dispose of the used oil properly. Put it in a sealed container, and take it to a recycling center. Do not discard it in a trash bin or dump it on the ground.*

4. Fill with the recommended oil. Do not overfill. Allow a couple of minutes for the oil to settle in the engine, then measure the oil level as shown on page 33.

### NOTICE

*Using nondetergent oil can shorten the engine's service life, and using 2-stroke oil can damage the engine.*



# SERVICING YOUR MOWER

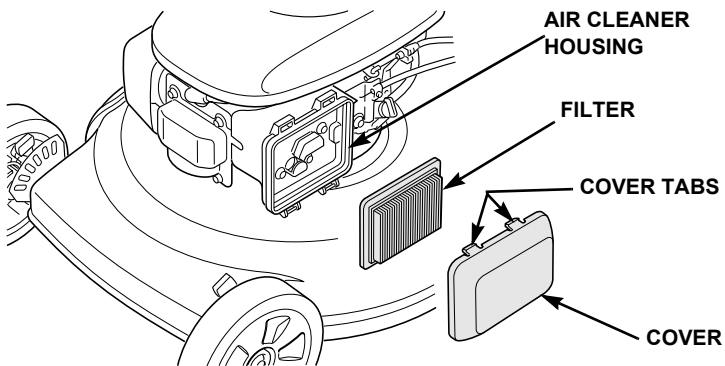
---

## Air Cleaner Service

A dirty air filter restricts air flow to the carburetor, reducing engine performance. If you operate the mower in very dusty areas, clean the air filter more often than specified in the MAINTENANCE SCHEDULE.

### **NOTICE**

*Operating the engine without an air filter, or with a damaged filter, will allow dirt to enter the engine, causing rapid engine wear. This type of damage is not covered by the Distributor's Limited Warranty (page 59).*



1. Press down on the cover tabs, then remove the cover.
2. Remove the filter and inspect it; if damaged, replace the filter.
3. Clean the filter by tapping the filter several times on a hard surface to remove dirt, or blowing compressed air [not exceeding 30 psi (207 kPa)] through the filter from the inside. Never try to brush off dirt; brushing will force dirt into the fibers.
4. Wipe dirt from the inside of the air cleaner housing and cover, using a moist rag. Be careful to prevent dirt from entering the air duct that leads to the carburetor.
5. Reinstall the filter and cover.

# SERVICING YOUR MOWER

## Spark Plug Service

Recommended spark plugs: BPR6ES (NGK) or W20EPR-U (DENSO)

For good performance, the spark plug must be properly gapped and free of deposits.

### NOTICE

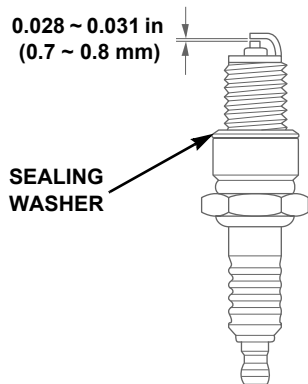
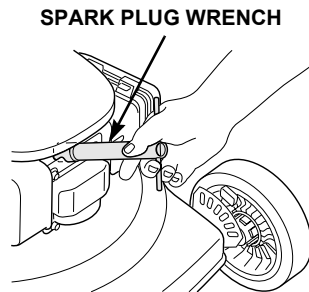
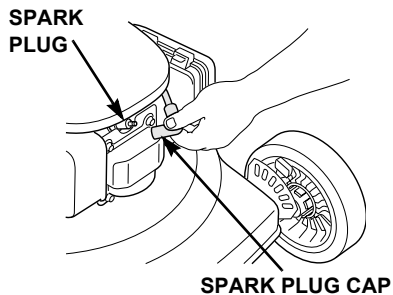
*An incorrect spark plug can cause engine damage.*

1. Disconnect the spark plug cap and remove dirt from the area.
2. Remove the spark plug with a spark plug wrench.
3. Inspect the plug; replace it if the electrodes are worn, or if the insulator is cracked or chipped
4. Set the gap to 0.028 ~ 0.031 in (0.7 ~ 0.8 mm).
5. Install the spark plug carefully, by hand, to avoid cross-threading.
6. After the plug seats, tighten it as follows to compress the washer:  
**Old plug:** 1/8 to 1/4 turn  
**New plug:** 1/2 turn

### NOTICE

*A loose spark plug can overheat and damage the engine.  
Overtightening the spark plug can damage the threads in the cylinder head.*

7. Install the spark plug cap on the spark plug.



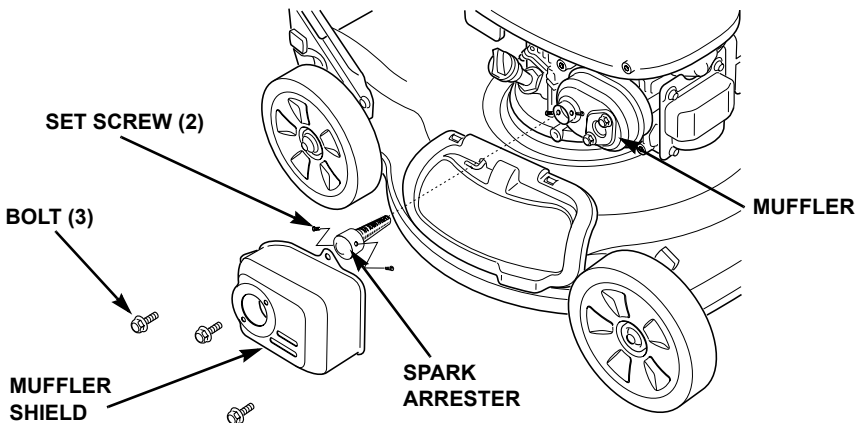
# SERVICING YOUR MOWER

## SPARK ARRESTER SERVICE (optional equipment)

Your lawn mower engine is not factory-equipped with a spark arrester. In some areas, it is illegal to operate an engine without a spark arrester. Check local laws and regulations. An optional USDA approved spark arrester is available from an authorized Honda servicing dealer. See page 58 for part numbers.

The spark arrester must be serviced every 100 hours to keep it functioning as designed.

1. Allow the engine to cool, then remove the bolts from the muffler shield. Remove the muffler shield.
2. Remove the two set screws and remove the spark arrester.
3. Check for carbon deposits on the spark arrester and the exhaust port. Use a brush to remove any carbon deposits from the screen. Replace the screen if it is torn or damaged.
4. Installation is the reverse of removal. Tighten all hardware securely.



# SERVICING YOUR MOWER

---

## FUEL SYSTEM

### Refueling

**Fuel tank capacity:** 0.29 US gal (1.1 ℓ)

If the fuel level is low, refuel in a well-ventilated area with the engine stopped. If the engine has been running, allow it to cool first.

To refuel, remove the fuel tank cap, and fill the tank with gasoline to the bottom of the filler neck. Refuel carefully to avoid spilling fuel. Do not overfill. There should be no fuel in the filler neck. After refueling, tighten the fuel tank cap securely.

### WARNING

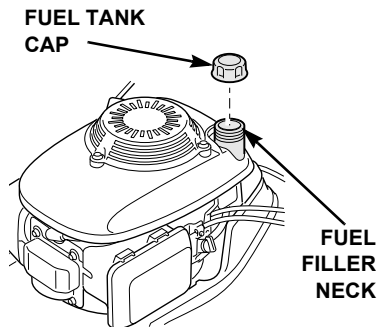
Gasoline is highly flammable and explosive. You can be burned or seriously injured when handling fuel.

- Stop the engine and keep heat, sparks, and flame away.
- Handle fuel only outdoors.
- Wipe up spills immediately.

Never refuel the engine inside a building where gasoline fumes may reach flames or sparks. Keep gasoline away from appliance pilot lights, barbecues, electric appliances, power tools, etc.

Spilled fuel is not only a fire hazard, it causes environmental damage. Wipe up spills immediately.

Move at least 10 feet (3 meters) away from the fueling source and site before starting the engine.



### NOTICE

*Fuel can damage paint and plastic. Be careful not to spill fuel when filling your fuel tank. Damage caused by spilled fuel is not covered by the Distributor's Limited Warranty (page 59).*



## Fuel Recommendations

**Use unleaded gasoline with a pump octane rating of 86 or higher.**

These engines are certified to operate on unleaded gasoline. Unleaded gasoline produces fewer engine and spark plug deposits and extends exhaust system life.

Never use stale or contaminated gasoline or an oil/gasoline mixture. Avoid getting dirt or water in the fuel tank.

Occasionally you may hear light “spark knock” or “pinging” (metallic rapping noise) while operating under heavy loads. This is no cause for concern.

If spark knock or pinging occurs at a steady engine speed, under normal load, change brands of gasoline. If spark knock or pinging persists, see an authorized Honda servicing dealer.

### **NOTICE**

*Running the engine with persistent spark knock or pinging can cause engine damage.*

This is considered misuse, and the *Distributor's Limited Warranty* (page 59) does not cover parts damaged by misuse.

For oxygenated fuel information refer to page 51.

## Flywheel Brake

Start the engine outdoors and move the throttle to FAST. Release the flywheel brake lever; the engine should stop quickly. If it does not, take your mower to an authorized Honda servicing dealer for repair.

# STORAGE

## STORAGE PREPARATION

Proper storage preparation is essential for keeping your lawn mower trouble-free and looking good. The following steps will help to keep rust and corrosion from impairing your lawn mower's function and appearance, and will make the engine easier to start when you use the lawn mower again.

### Cleaning

1. Wash the lawn mower, including the underside of the mower deck.

#### ***Engine***

Wash the engine by hand, and be careful to prevent water from entering the air cleaner.

#### **NOTICE**

- *Using a garden hose or pressure washing equipment can force water into the air cleaner. Water in the air cleaner will soak the filter and can enter the carburetor or engine, causing damage.*
- *Water on a hot engine can cause damage. If the engine has been running, allow it to cool for at least 1/2 hour before washing.*

#### ***Mower Deck***

If using a garden hose or pressure washing equipment to clean the mower deck, be careful to avoid getting water into controls and cables, or anywhere near the engine air cleaner or muffler opening.

Before washing the underside of the mower deck, be sure the fuel valve is in the OFF position. Disconnect the spark plug cap. Rest the mower on its right side, so the air filter side is up. This will help to prevent fuel leakage and hard starting due to carburetor flooding. Wear heavy gloves to protect your hands from the blade.

2. After washing the lawn mower, wipe dry all accessible surfaces.
3. With the mower in an upright position, start the engine outdoors, and let it run until it reaches normal operating temperature to evaporate any water remaining on the engine.
4. Stop the engine and allow it to cool.
5. After the lawn mower is clean and dry, touch up any damaged paint, and coat other areas that may rust with a light film of oil. Lubricate the control cable cores with a silicone spray lubricant.

### Fuel

Gasoline will oxidize and deteriorate in storage. Old gasoline will cause hard starting, and it leaves gum deposits that clog the fuel system. If the gasoline in your mower deteriorates during storage, you may need to have the carburetor and other fuel system components, serviced or replaced.

The length of time that gasoline can be left in your fuel tank and carburetor without causing functional problems will vary with such factors as gasoline blend, your storage temperatures, and whether the fuel tank is partially or completely filled. The air in a partially filled fuel tank promotes fuel deterioration. Very warm storage temperatures accelerate fuel deterioration. Fuel deterioration problems may occur within a few months, or even less if the gasoline was not fresh when you filled the fuel tank.

The *Distributor's Limited Warranty* (page 59) does not cover fuel system damage or engine performance problems resulting from neglectful storage preparation.

You can extend fuel storage life by adding a fuel stabilizer (page 58) that is formulated for that purpose, or you can avoid fuel deterioration problems by draining the fuel tank and carburetor.

### ***Adding fuel stabilizer to extend fuel storage life***

When adding a fuel stabilizer, fill the fuel tank with fresh gasoline. If only partially filled, air in the tank will promote fuel deterioration during storage. If you keep a container of gasoline for refueling, be sure that it contains only fresh gasoline.

1. Add fuel stabilizer following the manufacturer's instructions.
2. After adding a fuel stabilizer, run the engine outdoors for 10 minutes to be sure that treated gasoline has replaced the untreated gasoline in the carburetor.
3. Stop the engine, and turn the fuel valve to the OFF position. This turns off the fuel flow between the fuel tank and the carburetor.

# STORAGE

---

## *Draining the Fuel Tank and Carburetor*

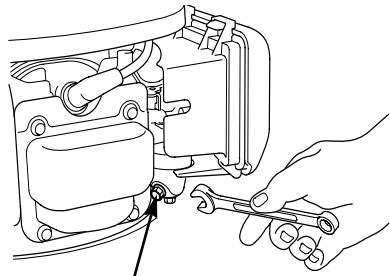
1. Remove the carburetor drain bolt with a 10 mm wrench, and drain the carburetor bowl fuel into an approved container.

### **WARNING**

Gasoline is highly flammable and explosive. You can be burned or seriously injured when handling fuel.

- Stop the engine and keep heat, sparks, and flame away.
- Handle fuel only outdoors.
- Wipe up spills immediately.

2. Turn the fuel valve ON (page 9). This will allow fuel in the fuel tank to drain through the carburetor bowl. After the fuel is completely drained, reinstall the drain bolt.



**DRAIN BOLT**

## **Engine Oil**

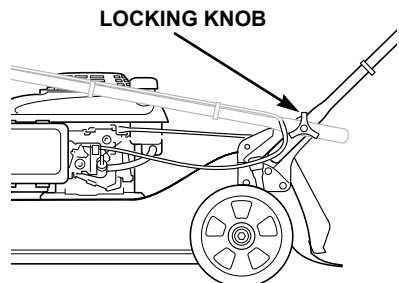
Change the engine oil (page 34).

## **Engine Cylinder**

Remove the spark plug (page 36). Pour a tablespoon (5 ~ 10 cc) of clean engine oil into the cylinder. Pull the starter rope several times to distribute the oil in the cylinder. Reinstall the spark plug. Pull the starter rope slowly until resistance is felt, then return the starter grip gently. This closes the valves so moisture cannot enter.

## **Handlebar Folding**

Remove the grass bag (if installed). Loosen the handlebar locking knobs. Press each side of the lower handlebar outward, then swing the handlebar upward. Don't allow the cables to be bent or pinched.



### STORAGE PRECAUTIONS

If your mower will be stored with gasoline in the fuel tank and carburetor, it is important to reduce the hazard of gasoline vapor ignition. Select a well-ventilated storage area away from any appliance that operates with a flame, such as a furnace, water heater, or clothes dryer. Also avoid any area with a spark-producing electric motor, or where power tools are operated.

If possible, avoid storage areas with high humidity, because that promotes rust and corrosion.

Unless all fuel has been drained from the fuel tank, turn the fuel valve to OFF to reduce the possibility of fuel leakage.

Place the mower with its wheels on a level surface. Tilting can cause fuel or oil leakage.

The handlebar can be folded for compact storage (page 42).

With the engine and exhaust system cool, cover the mower to keep out dust. A hot engine and exhaust system can ignite or melt some materials. Do not use sheet plastic as a dust cover. A nonporous cover will trap moisture around the mower, promoting rust and corrosion.

### REMOVAL FROM STORAGE

Check your mower as described in *BEFORE OPERATION* (page 12).

If the fuel was drained during storage preparation, fill the tank with fresh gasoline. If you keep a container of gasoline for refueling, be sure that it contains only fresh gasoline. Gasoline oxidizes and deteriorates over time, causing hard starting.

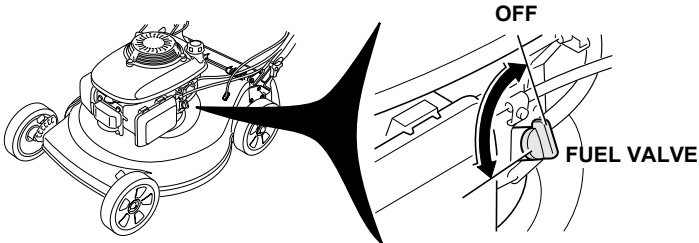
If the cylinder was coated with oil during storage preparation, the engine will smoke briefly at startup. This is normal.

# TRANSPORTING

## BEFORE LOADING

If the engine has been running, allow it to cool for at least 15 minutes before loading the mower on the transport vehicle. A hot engine and exhaust system can burn you and can ignite some materials.

Turn the fuel valve to OFF (page 20). This will prevent carburetor flooding and reduce the possibility of fuel leakage.



If equipped, remove the grass bag.

## LOADING AND UNLOADING

If a suitable loading ramp is not available, two people should lift the mower on and off the transport vehicle while holding the mower level.

Position the mower so all four wheels are on the bed of the transport vehicle. Tie the mower down with rope or straps, and block the wheels. Keep the tie-down rope or straps away from the controls, adjustment levers, cables, and the carburetor.

The handlebar can be folded so the mower will take up less space (see page 42).

# TAKING CARE OF UNEXPECTED PROBLEMS

## ENGINE WILL NOT START

Possible Cause	Correction
Fuel valve OFF	Turn fuel valve ON (page 9)
Throttle lever in wrong position	Move throttle lever to CHOKE position, unless the engine is warm (page 16).
Out of fuel	Refuel (page 38)
Bad fuel; mower stored without treating or draining gasoline, or refueled with bad gasoline	Drain fuel tank and carburetor (page 42). Refuel with fresh gasoline (page 38).
Spark plug faulty, fouled, or improperly gapped	Check gap, or replace spark plug (page 36)
Spark plug wet with fuel (flooded engine)	Dry and reinstall spark plug. Start engine with throttle lever in FAST position.
Fuel filter clogged, carburetor malfunction, ignition malfunction, valves stuck, etc.	Take mower to an authorized Honda servicing dealer for repair

## LOSS OF POWER

Possible Cause	Correction
Throttle not set to FAST	Move throttle to FAST (page 18)
Grass too tall to cut	Raise cutting height (page 11), cut narrower swath (page 24), use a slower ground speed, or cut more frequently
Mower deck clogged	Clean out mower deck
Air filter clogged	Clean or replace air filter (page 35)
Bad fuel; mower stored without treating or draining gasoline, or refueled with bad gasoline	Drain fuel tank and carburetor (page 42). Refuel with fresh gasoline (page 38).
Fuel filter clogged, carburetor malfunction, ignition malfunction, valves stuck, etc.	Take mower to an authorized Honda servicing dealer for repair

## VIBRATION PROBLEMS

Possible Cause	Correction
Grass and debris lodged under mower deck	Clean out mower deck (page 25)
Blades loose, bent, damaged, or unbalanced by improper sharpening	Tighten loose blades bolts. If blades are found to be bent or damaged, take the lawn mower to an authorized Honda servicing dealer for inspection.
Mechanical damage, such as a bent crankshaft	Take mower to an authorized Honda servicing dealer for repair

# TAKING CARE OF UNEXPECTED PROBLEMS

---

## MOWING AND BAGGING PROBLEMS

Possible Cause	Correction
Engine speed is too slow to cut well	Move throttle lever to the FAST position (page 18)
Mower is moving too fast for lawn conditions	Walk slower (PDA). Release the drive clutch lever and push slower (SDA, PDA). Shift to a lower gear (TDA).
Adjustment levers set at different positions	Set all levers at the same cutting height position (page 11)
Grass bag overfilled or clogged	Empty the grass bag. Wash the grass bag if clogged with dirt (page 32).
Mower deck clogged	Clear out the mower deck (page 25)
Blade(s) dull, worn, or damaged	Sharpen or replace blade(s) if necessary (page 31)
Wrong blade(s) installed	Install correct blade(s) (pages 23, 31, 58)



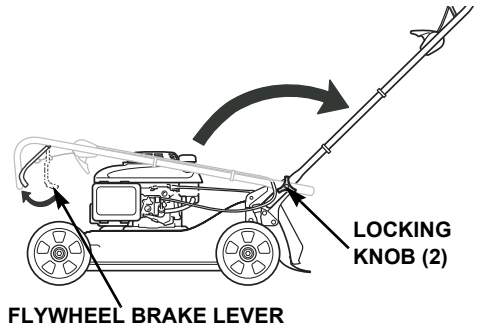
# SET-UP

## Unpacking

Remove all the cardboard from the mower, including the cardboard and piece of paper around the handlebar.

## Handlebar Setup

Loosen the two knobs on the lower handlebar enough to raise the handlebar into the mowing position.

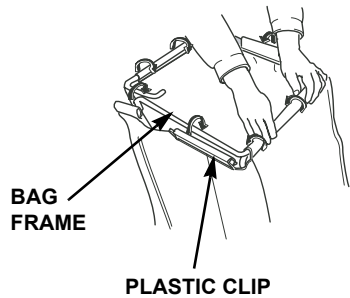
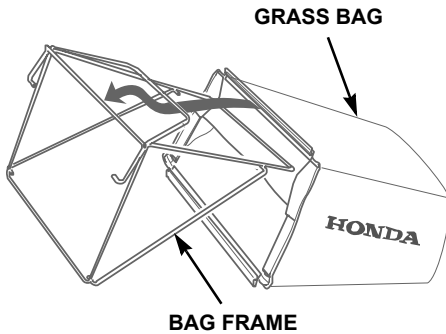


Depress the flywheel brake lever while raising the handlebar.

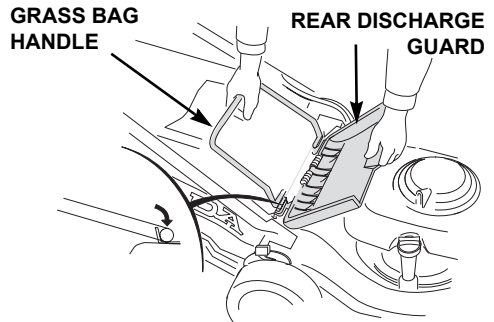
Select a desired handlebar height adjustment position and tighten the knobs securely.

## Grass Bag Assembly (HRR)

Slide the grass bag frame into the grass bag and attach the clips as shown.



Lift the rear discharge guard, remove the mulching plug, then install the grass bag.



# SET-UP

---

## Engine Oil

The lawn mower is shipped **WITHOUT OIL** in the engine.

A bottle of oil is included in the box with your mower. Add the entire contents of the oil bottle into the oil filler opening. Check that the oil level is between the upper and lower limit marks on the dipstick as shown.

If the supplied oil is not used, add enough SAE 10W-30 API service category SJ or later oil. Add oil until the oil level is between the upper and lower limit marks.

**Do not overfill engine oil.** If the engine is overfilled, the excess oil may be transferred to the air cleaner housing and air filter.

For additional engine oil information, see page 33.

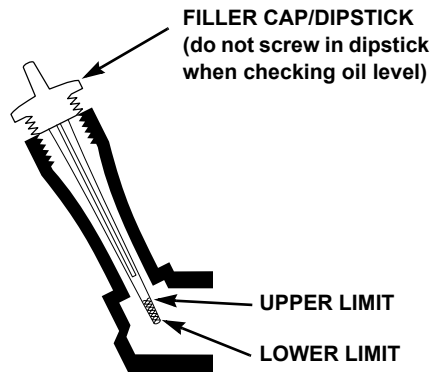
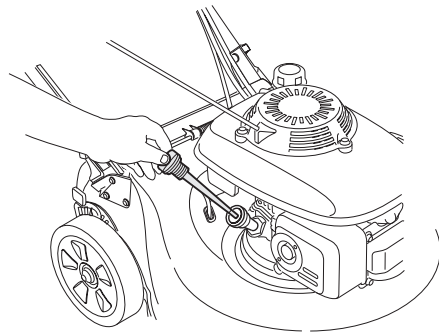
## Fuel

Refer to page 38.

## BEFORE OPERATION

Before using the lawn mower, all mower operator's must read the following chapters and sections:

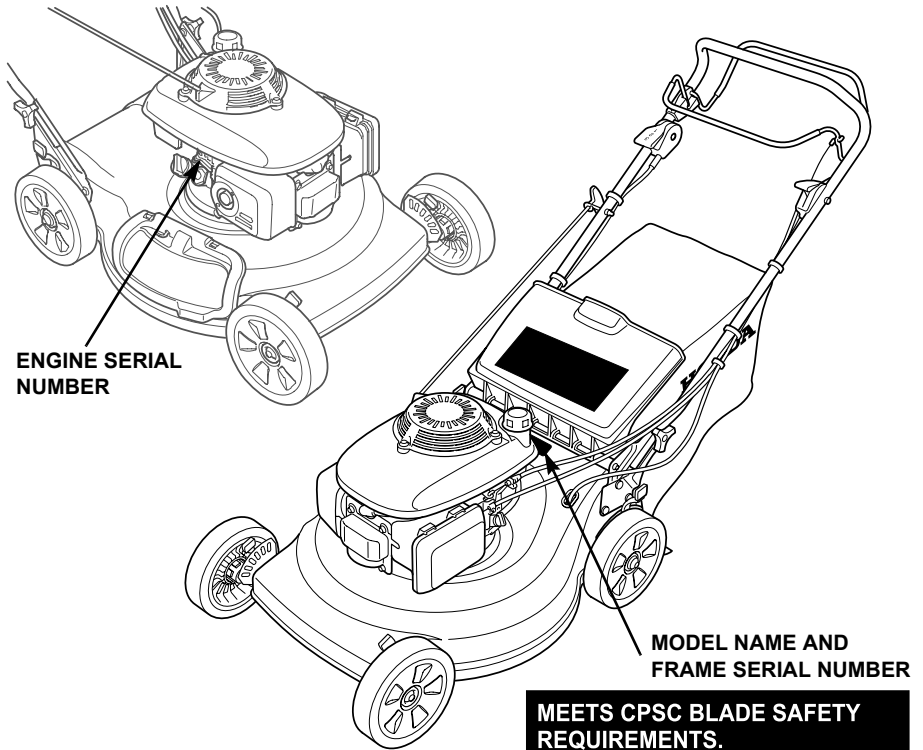
- **LAWN MOWER SAFETY** (page 4)
- **CONTROLS & FEATURES** (page 7)
- **BEFORE OPERATION** (page 12)
- **OPERATION** (page 16)
- **MAINTENANCE SCHEDULE** (page 29)



# TECHNICAL & CONSUMER INFORMATION

## TECHNICAL INFORMATION

### Serial Number Locations



**MEETS CPSC BLADE SAFETY REQUIREMENTS.**

MODEL:	HR_216__A	AG
SERIAL NO:	M___-__XXXXXX	

AMERICAN HONDA MOTOR CO., INC.  
ALPHARETTA, GA 30005-8847

There are two serial numbers, one for the mower frame and one for the engine. Record the frame and engine serial numbers in the space below. You will need these serial numbers when ordering parts and when making technical or warranty inquiries (page 64).

Engine serial number: \_\_\_\_\_

Frame serial number: \_\_\_\_\_

Date of purchase: \_\_\_\_\_

## TECHNICAL AND CONSUMER INFORMATION

---

### **Carburetor Modification for High Altitude Operation**

At high altitude, the standard carburetor air-fuel mixture will be too rich. Performance will decrease, and fuel consumption will increase. A very rich mixture will also foul the spark plug and cause hard starting. Operation at an altitude that differs from that at which this engine was certified, for extended periods of time, may increase emissions.

High altitude performance can be improved by specific modifications to the carburetor. If you always operate your mower at altitudes above 5,000 feet (1,500 meters), have your servicing dealer perform this carburetor modification. This engine, when operated at high altitude with the carburetor modifications for high altitude use, will meet each emission standard throughout its useful life.

Even with carburetor modification, engine horsepower will decrease about 3.5% for each 1,000-foot (300-meter) increase in altitude. The effect of altitude on horsepower will be greater than this if no carburetor modification is made.

#### **NOTICE**

*When the carburetor has been modified for high altitude operation, the air-fuel mixture will be too lean for low altitude use. Operation at altitudes below 5,000 feet (1,500 meters) with a modified carburetor may cause the engine to overheat and result in serious engine damage. For use at low altitudes, have your servicing dealer return the carburetor to original factory specifications.*

# TECHNICAL AND CONSUMER INFORMATION

---

## Oxygenated Fuels

Some conventional gasolines are being blended with alcohol or an ether compound. These gasolines are collectively referred to as oxygenated fuels. To meet clean air standards, some areas of the United States and Canada use oxygenated fuels to help reduce emissions.

If you use an oxygenated fuel, be sure it is unleaded and meets the minimum octane rating requirement.

Before using an oxygenated fuel, try to confirm the fuel's contents. Some states/provinces require this information to be posted on the pump.

The following are the EPA-approved percentages of oxygenates:

**ETHANOL** — (ethyl or grain alcohol) 10% by volume

You may use gasoline containing up to 10% ethanol by volume. Gasoline containing ethanol may be marketed under the name "Gasohol".

**MTBE** — (Methyl Tertiary Butyl Ether) 15% by volume

You may use gasoline containing up to 15% MTBE by volume.

**METHANOL** — (methyl or wood alcohol) 5% by volume

You may use gasoline containing up to 5% methanol by volume, as long as it also contains cosolvents and corrosion inhibitors to protect the fuel system.

Gasoline containing more than 5% methanol by volume may cause starting and/or performance problems. It may also damage metal, rubber, and plastic parts of your fuel system.

Fuel system damage or performance problems resulting from the use of an oxygenated fuel containing more than the percentages of oxygenates mentioned above are not covered under warranty.

# TECHNICAL AND CONSUMER INFORMATION

---

## EMISSION CONTROL SYSTEM

### Source of Emissions

The combustion process produces carbon monoxide, oxides of nitrogen, and hydrocarbons. Control of hydrocarbons and oxides of nitrogen is very important because, under certain conditions, they react to form photochemical smog when subjected to sunlight. Carbon monoxide does not react in the same way, but it is toxic.

Honda uses lean carburetor settings and other systems to reduce the emissions of carbon monoxide, oxides of nitrogen, and hydrocarbons.

### The U.S., California Clean Air Act and Environment Canada

EPA, California and Canadian regulations require all manufacturers to furnish written instruction describing the operation and maintenance of emission control systems.

The following instructions and procedures must be followed in order to keep the Honda engine emissions within the emission standards.

### Tampering and Altering

Tampering with or altering the emission control system may increase emissions beyond the legal limit. Some acts that constitute tampering are:

- Removal or alteration of any part of intake, fuel, or exhaust system.
- Altering or defeating the speed-adjusting mechanism to cause the engine to operate outside its design parameters.

### Problems That May Affect Emissions

If you are aware of any of the following symptoms, have your engine inspected and repaired by your authorized Honda servicing dealer.

- Hard starting or stalling after starting
- Rough idle
- Misfiring or backfiring under load
- Afterburning (backfiring)
- Black exhaust smoke or high fuel consumption

## TECHNICAL AND CONSUMER INFORMATION

---

### Replacement Parts

The emission control systems on your new Honda engine were designed, built, and certified to conform with EPA, California and Canadian emission regulations. We recommend the use of genuine Honda parts whenever you have maintenance done. These original-design replacement parts are manufactured to the same standards as the original parts, so you can be confident of their performance. The use of replacement parts that are not of the original design and quality may impair the effectiveness of your emission control system.

A manufacturer of an aftermarket part assumes the responsibility the part will not adversely affect emission performance. The manufacturer or rebuilder of the part must certify that use of the part will not result in a failure of the engine to comply with emission regulations.

### Maintenance

Follow the *MAINTENANCE SCHEDULE* on page 29. Remember that this schedule is based on the assumption that your machine will be used for its designed purpose. Sustained high-load or high-temperature operation, or use in unusually wet or dusty conditions, will require more frequent service.

# TECHNICAL AND CONSUMER INFORMATION

---

## Air Index

An Air Index Information hang tag/label is applied to engines certified to an emission durability time period in accordance with the requirements of the California Air Resources Board.

There is a bar graph on the hang tag that is intended to provide you, our customer, the ability to compare the emissions performance of available engines. The lower the Air Index, the less pollution.

The durability description is intended to provide you with information relating the engine's emission durability period. The descriptive term indicates the useful life period for the engine's emission control system. See your *Emission Control System Warranty* (page 61) for additional information.

Descriptive Term	Applicable to Emissions Durability Period
Moderate	50 hours (0–65 cc) 125 hours (greater than 65 cc)
Intermediate	125 hours (0–65 cc) 250 hours (greater than 65 cc)
Extended	300 hours (0–65 cc) 500 hours (greater than 65 cc)

The Air Index Information hang tag/label must remain on the mower until it is sold. Remove the hang tag before operating the mower.

## SPECIFICATIONS

### FEATURES

Model	HRS216K2		HRR216K3	
	PDA	SDA	PDA	TDA
Type	●		●	
Push	●		●	
Self-propelled, 1-speed		●		
Self-propelled, 3-speed				●
Single blade	●	●		
Twin blades	○	○	●	●
Grass bag	○	○	●	●
Mulching plug			●	●
Side-discharge guard & chute	●	●		

● = standard equipment ○ = optional accessory; see your Honda lawn mower dealer.



# TECHNICAL AND CONSUMER INFORMATION

## FRAME

Model	HRS216K2		HRR216K3	
Type	PDA	SDA	PDA	TDA
Length	61 1/8 in (1554 mm)	63 7/8 in (1621 mm)	61 5/8 in (1566 mm)	64 1/2 in (1637 mm)
Width	23.0 in (585 mm)			
Overall height	37-3/8 in (948 mm)		38 1/4 in (970 mm)	
Dry weight	62.2 lb (28.2 kg)	69.4 lb (31.5 kg)	75.0 lb (34.0 kg)	83.1 lb (37.7 kg)
Cutting width	21.0 in (530 mm)			
Cutting heights	1 ~ 3 1/2 in (25 ~ 87 mm)		3/4 ~ 3 1/4 in (19 ~ 79 mm)	
Fuel tank capacity	0.29 US gal (1.1l)			
Engine oil capacity	0.58 US qt (0.55l)			

## ENGINE

Model	GCV160
Engine type	4-stroke, overhead-cam, single-cylinder, air-cooled
Displacement	9.8 cu in (160 cc)
Bore and stroke	2.52 x 1.97 in (64 x 50 mm)
Compression ratio	8.5:1
Ignition system	Transistorized magneto
Maximum horsepower*	5.5 bhp (4.1 kW) @ 3,600 rpm
Maximum torque	8.4 ft-lb (11.4 N•m) @ 2,500 rpm

\* Horsepower rating (shown as maximum power output at 3,600 rpm) is in accordance with SAE J1995. Actual engine power will be lower. Engine power depends on accessories, operating speeds, operating conditions, and other variables.

# TECHNICAL AND CONSUMER INFORMATION

## MAINTENANCE

Fuel	Unleaded gasoline with a pump octane rating of 86 or higher	See page 39.
Engine oil	SAE 10W-30	See page 33.
Transmission lubricant (SDA, TDA)	Grease (NLGI #2)	See shop manual.
Spark plug type  (Resistor plugs reduce interference with radio and television reception.)	Regular: NGK - BP6ES DENSO - W20EP-U Resistor: NGK - BPR6ES DENSO - W20EPR-U	See page 36.
Maximum governed speed	2,950 ~ 3,100 rpm	See shop manual.
Throttle cable	Adjust for proper choke operation and maximum governed speed.	See shop manual.
Blade bolt torque	36 ~ 43 ft-lb (5.0 ~ 6.0 kg-m, 49 ~ 59 N•m)	See page 32.

## TRANSMISSION

Type	SDA	TDA
Transmission type	Single speed	3-speed
Ground speeds	2.5 mph (4.0 km/h)	1st: 1.7 mph (2.8 km/h) 2nd: 2.6 mph (4.2 km/h) 3rd: 3.2 mph (5.2 km/h)

## TUNEUP

Spark plug gap	0.028 ~ 0.031 in (0.7 ~ 0.8 mm)	See page 36.
Idle speed	1,700 ± 150 rpm	See shop manual.
Valve clearance (cold)	Intake: 0.15 ± 0.02 mm Exhaust: 0.20 ± 0.02 mm	See shop manual.
Other specifications	No other adjustments needed.	

# TECHNICAL AND CONSUMER INFORMATION

---

## CONSUMER INFORMATION

### Dealer Locator Information

To find an Authorized Honda Servicing Dealer anywhere in the United States:

Call (800) 426-7701

or visit our website:

[www.hondapowerequipment.com/dealer](http://www.hondapowerequipment.com/dealer)

### Customer Service

See page 64.

### Honda Publications

These publications will give you additional information for maintaining and repairing your lawn mower.

#### ***Shop Manual***

This manual covers complete maintenance and overhaul procedures. It is intended to be used by a skilled technician. Available through your Honda dealer or through Helm Inc. at 1 888-292-5395 or visit [www.Hondapowerequipment.com](http://www.Hondapowerequipment.com) > product manuals.

#### ***Parts Catalog***

This manual provides complete, illustrated parts lists, and is available through your Honda dealer.

# TECHNICAL AND CONSUMER INFORMATION

## Accessories and Replacement Parts

Contact an authorized Honda servicing dealer to purchase any of these (or other) accessories or genuine replacement parts. Be sure to have the lawn mower frame and engine serial numbers when you contact your dealer (page 49).

Model	Item	Part Number	Standard	Accessory	Notes
HRS	Grass bag kit	06813-VG3-020		•	Includes grass bag, frame, and new mulching blades
	Grass bag	81320-VG3-000		•	Fabric bag only, no frame
	Lower mulching high-lift blade	72511-VE1-020		•	See page 23
	Upper mulching blade	72531-VE2-020		•	
	Low-lift blade *	72511-VG3-000	•		
	Side discharge chute	81211-VG3-010ZA		•	
	Parts Catalog	14VG3E1P		•	
HRR	Grass bag	81320-VL0-B00		•	Fabric bag only, no frame
	Upper mulching blade **	72531-VE2-020		•	See page 23
	Lower mulching high-lift blade **	72511-VE1-020		•	
	Rear discharge chute	06814-VG4-010		•	
	Mulching plug	76266-VG4-000ZB		•	
All	Spark plug	98079-56846		•	NGK: BPR6ES
	Air filter	17211-ZL8-003		•	
	Spark arrester parts	18350-ZL8-000		•	Arrester and deflector
		18356-ZL8-000		•	ID plate
		90055-ZE1-000		•	Screw
Fuel stabilizer	08732-0001		•		

\* HRS models come standard with a single low-lift blade. For best mulching, remove the single blade and install an upper mulching blade and a lower mulching high-lift blade.

\*\* Always use an upper and lower blade on HRR models. See page 23.

# TECHNICAL AND CONSUMER INFORMATION

## Distributor's Limited Warranty

PRODUCTS COVERED BY THIS WARRANTY	LENGTH OF WARRANTY (from date of original retail purchase)	
	Noncommercial/Nonrental	Commercial/Rental
HRS216 - HRR216 Lawn Mowers	24 months	3 months

### **To Qualify for this Warranty:**

The product must be purchased in the United States, Puerto Rico, or the U.S. Virgin Islands from American Honda or a dealer authorized by American Honda to sell those products. This warranty applies to the first retail purchaser and each subsequent owner during the applicable warranty time period.

### **What American Honda will Repair or Replace Under Warranty:**

American Honda will repair or replace, at its option, any part that is proven to be defective in material or workmanship under normal use during the applicable warranty time period. Warranty repairs and replacements will be made without charge for parts or labor. Anything replaced under warranty becomes the property of American Honda Motor Company, Inc. All parts replaced under warranty will be considered as part of the original product and any warranty on those parts will expire coincident with the original product warranty.

### **To Obtain Warranty Service:**

You must take the Honda lawn mower and proof of original retail purchase date, at your expense, to any Honda Power Equipment dealer in the United States, Puerto Rico, or the U.S. Virgin Islands who is authorized to service that product, during the dealer's normal business hours. If you are unable to obtain warranty service, or are dissatisfied with the warranty service you receive, take the following steps: First, contact the owner of the dealership involved; normally this should resolve the problem. However, if you should require further assistance, write or call the Power Equipment Customer Relations Department of American Honda Motor Co., Inc. Refer to page 64 for contact information.

### **Exclusions:**

This warranty does not extend to parts affected or damaged by accident and/or collision, normal wear, fuel contamination or deterioration, use in an application for which the product was not designed, or any other misuse, neglect, incorporation or use of unsuitable attachments or parts, unauthorized alteration, or any causes other than defects in material or workmanship of the product.

Mower blades and mower deck housings, are specifically not warranted against impact damage, including but not limited to, abrasive damage.

### **Disclaimer of Consequential Damage and Limitation of Implied Warranties:**

American Honda disclaims any responsibility for loss of time or use of the product, transportation, commercial loss, or any other incidental or consequential damage. Any implied warranties are limited to the duration of this written limited warranty. Some states do not allow limitations on how long an implied warranty lasts and/or do not allow the exclusion or limitation of incidental or consequential damages, so the above exclusions and limitations may not apply to you.

This warranty gives you specific legal rights, and you may also have other rights which vary from state to state.

# TECHNICAL AND CONSUMER INFORMATION

## Accessories, Replacement Parts, and Apparel Warranty

This warranty is limited to Honda Power Equipment parts, accessories and apparel when distributed by American Honda Motor Co., Inc., 4900 Marconi Drive, Alpharetta, Georgia 30005-8847

PRODUCTS COVERED BY THIS WARRANTY	LENGTH OF WARRANTY (from date of original retail purchase)	
	Noncommercial/Nonrental	Commercial/Rental
Accessories	12 months	3 months
Replacement Parts	6 months	3 months
Apparel	6 months	3 months

### **To Qualify for this Warranty:**

1. The accessories, replacement parts, or apparel must be purchased from American Honda, or a dealer, distributor or distributor's dealer authorized by American Honda to sell those products in the United States, Puerto Rico, and the U.S. Virgin Islands.
2. You must be the first retail purchaser. This warranty is not transferable to subsequent owners.

### **What American Honda will Repair or Replace Under Warranty:**

American Honda will repair or replace, at its option, any power equipment accessories, replacement parts, or apparel that are proven to be defective in material or workmanship under normal use during the applicable warranty time period. Anything replaced under warranty becomes the property of American Honda Motor Company, Inc. All parts replaced under warranty will be considered as part of the original product and any warranty on those parts will expire coincident with the original product warranty.

Accessories and replacement parts, installed by a dealer who is authorized by American Honda to sell them, will be repaired or replaced under warranty without charge for parts or labor. If installed by anyone else, accessories and replacement parts will be repaired or replaced under warranty without charge for parts, but any labor charges will be the responsibility of the purchaser. Apparel will be repaired or replaced under warranty without any charge.

### **To Obtain Warranty Service:**

You must take the Honda Power Equipment accessory, replacement part, apparel or the power equipment on which the accessory or replacement part is installed, and proof of purchase, at your expense, to any Honda Power Equipment dealer in the United States, Puerto Rico, or the U.S. Virgin Islands who is authorized to service that product, during the dealer's normal business hours. If you are unable to obtain warranty service, or are dissatisfied with the warranty service you receive, take the following steps: First, contact the owner of the dealership involved; normally this will resolve the problem. However, if you should require further assistance, write or call the Power Equipment Customer Relations Department of American Honda Motor Co., Inc. Refer to page 64 for contact information.

### **Exclusions:**

This warranty does not extend to accessories, parts, or apparel affected or damaged by accident and/or collision, normal wear, use in an application for which the product was not designed, or any other misuse, neglect, incorporation or use of unsuitable attachments or parts, unauthorized alteration, improper installation, or any causes other than defects in material or workmanship of the product.

Mower blades and mower deck housings, are specifically not warranted against impact damage, including but not limited to, abrasive damage.

### **Disclaimer of Consequential Damage and Limitation of Implied Warranties:**

American Honda disclaims any responsibility for loss of time or use of the product, or the power equipment on which the product is installed, transportation, commercial loss, or any other incidental or consequential damage. Any implied warranties are limited to the duration of this written warranty. Some states do not allow limitations on how long an implied warranty lasts and/or do not allow the exclusion or limitation of incidental or consequential damages, so the above exclusions and limitations may not apply to you. This warranty gives you specific legal rights, and you may also have other rights which vary from state to state.

# TECHNICAL AND CONSUMER INFORMATION

---

## Emission Control System Warranty

Your new Honda Power Equipment engine complies with the U.S. EPA, Environment Canada and State of California emission regulations. American Honda Motor Co., Inc. provides the emission warranty coverage for engines in the United States, and its territories. Honda Canada Inc. provides the emission warranty for engines in the 13 provinces and territories of Canada. In the remainder of this Emission Control System Warranty, American Honda Motor Company Inc. and Honda Canada Inc. will be referred to as Honda.

### ***Your Warranty Rights And Obligations:***

#### ***California***

The California Air Resources Board and Honda are pleased to explain the emission control system warranty on your Honda Power Equipment engine. In California, new utility and lawn and garden equipment engines must be designed, built and equipped to meet the State's stringent anti-smog standards.

#### ***Other States, U.S. territories and Canada***

In other areas of the United States and in Canada, your engine must be designed, built, and equipped to meet the U.S. EPA and Environment Canada emission standards for spark-ignited engines at or below 19 kilowatts.

#### ***All of the United States and Canada***

Honda must warrant the emission control system on your power equipment engine for the period of time listed below provided there has been no abuse, neglect or improper maintenance of your power equipment engine. Where a warrantable condition exists, Honda will repair your power equipment engine at no cost to you including diagnosis, parts and labor.

Your emission control system may include such parts as the carburetor or fuel injection system, the ignition system, and catalytic converter. Also included may be hoses, connectors and other emission-related assemblies.

#### ***Manufacturer's Warranty Coverage:***

The 1995 and later power equipment engines are warranted for two years. If any emission-related part on your engine is defective, the part will be repaired or replaced by Honda.

#### ***Owner's Warranty Responsibility:***

As the power equipment engine owner, you are responsible for the performance of the required maintenance listed in your owner's manual. Honda recommends that you retain all receipts covering maintenance on your power equipment engine, but Honda cannot deny warranty coverage solely for the lack of receipts or for your failure to ensure the performance of all scheduled maintenance.

As the power equipment engine owner, you should however be aware that Honda may deny you warranty coverage if your power equipment engine or a part has failed due to abuse, neglect, improper maintenance, or unapproved modifications.

You are responsible for presenting your power equipment engine to a Honda Power Equipment dealer as soon as a problem exists. The warranty repairs should be completed in a reasonable amount of time, not to exceed 30 days.

If you have any questions regarding your warranty rights and responsibilities, you should write or call the Honda office in your region.

American Honda Motor Co., Inc.  
Power Equipment Customer Relations  
4900 Marconi Drive  
Alpharetta, Georgia 30005-8847  
Telephone: (770) 497-6400

OR

Honda Canada Inc.  
Power Equipment Customer Relations  
715 Milner Avenue  
Toronto, ON M1B 2K8  
Telephone: (888) 946-6329

# TECHNICAL AND CONSUMER INFORMATION

---

## **Warranty Coverage:**

Honda power equipment engines manufactured after January 1, 1995 and sold in the State of California, and U.S. EPA certified engines manufactured on or after September 1, 1996 and sold in all of the United States, and Canadian certified engines manufactured on or after January 1, 2005 are covered by this warranty for a period of two years from the date of delivery to the original retail purchaser. This warranty is transferable to each subsequent purchaser for the duration of the warranty period.

Warranty repairs will be made without charge for diagnosis, parts or labor. All defective parts replaced under this warranty become the property of Honda. Warranted parts are listed under *Emission Control System Warranty Parts* on page 63. Normal maintenance items, such as spark plugs and filters, that are on the warranted parts list are warranted up to their required replacement interval only.

Honda is also liable for damages to other engine components caused by a failure of any warranted part during the warranty period.

Only Honda approved replacement parts may be used in the performance of any warranty repairs and must be provided without charge to the owner. The use of replacement parts not equivalent to the original parts may impair the effectiveness of your engine emission control system. If such a replacement part is used in the repair or maintenance of your engine, and an authorized Honda dealer determines it is defective or causes a failure of a warranted part, your claim for repair of your engine may be denied. If the part in question is not related to the reason your engine requires repair, your claim will not be denied.

## **To Obtain Warranty Service:**

You must take your Honda Power Equipment engine or the product on which it is installed, along with your warranty registration card or other proof of original purchase date, at your expense, to any Honda Power Equipment dealer who is authorized by Honda to sell and service that Honda product during his normal business hours. Claims for repair or adjustment found to be caused solely by defects in material or workmanship will not be denied because the engine was not properly maintained and used.

If you are unable to obtain warranty service, or are dissatisfied with the warranty service you received, contact the owner of the dealership involved. Normally this should resolve your problem. However, if you require further assistance, write or call the Power Equipment Customer Relations Department of American Honda Motor Co., Inc. Refer to page 64 for contact information.



# TECHNICAL AND CONSUMER INFORMATION

## **Exclusions:**

Failures other than those resulting from defects in material or workmanship are not covered by this warranty. This warranty does not extend to emission control systems or parts which are affected or damaged by owner abuse, neglect, improper maintenance, misuse, misfueling, improper storage, accident and/or collision, the incorporation of, or any use of, any add-on or modified parts, unsuitable attachments, or the unauthorized alteration of any part.

This warranty does not cover replacement of expendable maintenance items made in connection with required maintenance services after the item's first scheduled replacement as listed in the maintenance section of the product owner's manual, such as: spark plugs and filters.

## **Disclaimer of Consequential Damage and Limitation of Implied Warranties:**

American Honda Motor Co., Inc. and Honda Canada Inc. disclaim any responsibility for incidental or consequential damages such as loss of time or the use of the power equipment, or any commercial loss due to the failure of the equipment; and any implied warranties are limited to the duration of this written warranty. This warranty is applicable only where the California, U.S. EPA or Environment Canada Emission Control System Warranty regulation is in effect.

## **Emission Control System Warranty Parts:**

<b>SYSTEMS COVERED BY THIS WARRANTY:</b>	<b>PARTS DESCRIPTION:</b>
Fuel Metering	Carburetor assembly, (includes starting enrichment system), Engine temperature sensor, Engine control module, Fuel regulator, Intake manifold
Evaporative	Fuel hoses
Exhaust	Catalyst, Exhaust manifold
Air Induction	Air filter housing, Air filter element*, Crankcase breather tube
Ignition	Flywheel magneto, Ignition pulse generator, Crankshaft position sensor, Power coil, Ignition coil assembly, Ignition control module, Spark plug cap, Spark plug*
Miscellaneous Parts	Tubing, fittings, seals, gaskets, and clamps associated with these listed systems.

\* Covered up to the first required replacement only. See the *Maintenance Schedule* on page 29.

# **TECHNICAL AND CONSUMER INFORMATION**

---

## **Customer Service Information**

Honda Power Equipment dealership personnel are trained professionals. They should be able to answer any question you may have. If you encounter a problem that your dealer does not solve to your satisfaction, please discuss it with the dealership's management. The Service Manager or General Manager can help. Almost all problems are solved in this way.

If you are dissatisfied with the decision made by the dealership's management, contact the Honda Power Equipment Customer Relations Office. You can write:

**American Honda Motor Co., Inc.**

Power Equipment Division

Customer Relations Office

4900 Marconi Drive

Alpharetta, GA 30005-8847

Or telephone: (770) 497-6400 M-F, 8:30 a.m. - 8:00 p.m. EST

- When you write or call, please give us this information:
- Model and serial numbers (page 49)
- Name of the dealer who sold the lawn mower to you
- Name and address of the dealer who services your lawn mower
- Date of purchase
- Your name, address, and telephone number
- A detailed description of the problem

# INDEX

## A

Accessories warranty	60
Air cleaner service	35
Air index	54
Altitude, high altitude operation	50
Assembly	47

## B

Blade	
Installation	32
Removal	31
Usage	23
Wear	30

## C

Carburetor	
Draining	42
Modifications for altitude	50
Choke operation	16
Clogged mower deck	25
Customer relations	64
Cutting height	
Adjustment	11
Recommendations	23

## D

Dealer locator information	57
Distributor's warranty	59
Drive clutch lever	10
Drive problems	45

## E

Emissions	
Control system	52
Warranty	61
Engine specifications	54
Ethanol oxygenated fuel	51

## F

Flywheel brake lever	10
Fuel	
Oxygenated	51
Recommendations	39
Refueling	38

Stabilizer additive	41
Valve location	9
Fuel tank draining	42

## G

Grass bag	
Assembly	47
Cleaning or replacement	32
Inspection	15

## I

Introduction	1
--------------	---

## L

Loading and unloading	44
-----------------------	----

## M

Maintenance	
Safety	28
Schedule	29
Specifications	54
Methanol oxygenated fuel	51
MTBE oxygenated fuel	51
Mulching plug	14

## N

NOTICE symbol	1
---------------	---

## O

Oil	
Change	34
Check level	33
Recommendations	33
Oxygenated fuels	51

## P

Parts	
Catalog	57
Emissions	54
Replacement list	58
Publications	57

## R

Replacement parts	58
-------------------	----

# INDEX

---

## S

Safety	
A few words	2
Labels	2
Maintenance	28
Mower	4
Serial number locations	49
Shift lever	10
Shop manual ordering	57
Spark plug	
Arrester service	37
Gap	36
Starting the engine	16
Stopping the engine	20

## T

Technical information	49
Throttle lever	9
Transmission operation	19
Transporting	44
Troubleshooting	
Engine and vibration	45
Mowing and bagging	46

## U

Unloading	44
-----------	----

## W

Warranty	
Accessories & parts	60
Distributor's	59
Emissions	61
Service information	64
Washing the mower	40
Web address	57

# QUICK REFERENCE INFORMATION

Fuel	Type	Unleaded gasoline with a pump octane rating of 86 or higher (page 38)
Engine oil	Type	SAE 10W-30, API SJ or later (page 33)
Spark plug	Type	Regular: NGK BP6ES DENSOW20EP-U  Resistor: NGK BPR6ES DENSOW20EPR-U
Maintenance	Before each use	Check blade and bolt torque (page 32) Check engine oil (page 33) Check air cleaner (page 35)
	First 5 hours	Change engine oil (page 34)
	Subsequent	Refer to the Maintenance Schedule (page 29)

# HONDA

The Power of Dreams

HRS216PDA • HRS216SDA **K2**

HRR216PDA • HRR216TDA **K3**



Printed on  
Recycled Paper

**EM4**

POM52774-H

IPC

XXXXX.2005.10

PRINTED IN U.S.A.

31VL0U00  
00X31-VL0-U000