

**HONDA**

**Power**

**Equipment**

# **OPERATOR'S MANUAL**

## **MULCHING KIT**

for the

**HA4120 or HA4118**

**LAWN TRACTOR**

with the

**CD4148 (48") or CD4138 (38")**

**MOWER DECK**

**HONDA DEALER: PLEASE GIVE THIS PUBLICATION TO YOUR CUSTOMER**


## A FEW WORDS ABOUT SAFETY

Your safety and the safety of others are very important. And using this mulching kit is an important responsibility.

To help you make informed decisions about safety, we have provided operating procedures and other information on labels and in this manual. This information alerts you to potential hazards that could hurt you or others.

Of course, it is not practical or possible to warn you about all the hazards associated with operating a mulching kit. You must use your own good judgement.

You will find important safety information in a variety of forms, including:

- **Safety Messages**—preceded by a safety alert symbol  and one of the following three words; **DANGER**, **WARNING**, or **CAUTION**.

These words mean:

### **DANGER**

You **WILL** be **KILLED** or **SERIOUSLY HURT** if you don't follow instructions.

### **WARNING**

You **CAN** be **KILLED** or **SERIOUSLY HURT** if you don't follow instructions.

### **CAUTION**

You **CAN BE HURT** if you don't follow instructions

- **Safety Headings**—such as **IMPORTANT SAFETY INFORMATION**
- **Safety Sections**—such as **MULCHING KIT SAFETY**
- **Instructions**—how to use this mulching kit correctly and safely.

This entire book is filled with important safety information—please read it carefully.

## TABLE OF CONTENTS

<b>PREFACE</b> .....	2
<b>CONTROLS</b> .....	3
CONTROLS .....	3
<b>BEFORE OPERATION</b> .....	4
GENERAL.....	4
CHECK MOWING AREA.....	4
PROTECTIVE CLOTHING .....	4
INSPECT THE MULCHING KIT .....	4
<b>OPERATION</b> .....	5
IMPORTANT SAFETY INFORMATION .....	5
ADJUSTING PLATE.....	6
GRASS CUTTING BASICS .....	6
<b>INSTALLATION</b> .....	8
THE IMPORTANCE OF INSTALLATION .....	8
TORQUE VALUES .....	9
HARDWARE MEASURING CHART .....	9
PARTS LIST.....	10
INSTALL MULCHING KIT .....	12
<b>REMOVAL</b> .....	20
REMOVING THE MULCHING KIT .....	20
<b>MAINTENANCE</b> .....	21
THE IMPORTANCE OF MAINTENANCE .....	21
MAINTENANCE SAFETY.....	22
MAINTENANCE ITEMS .....	23
<b>PARTS</b> .....	24
REPLACEMENT PARTS.....	24
<b>ADDITIONAL INFORMATION</b> .....	26
HONDA PUBLICATIONS .....	26
WARRANTY SERVICE INFORMATION .....	26

## **PREFACE**

---

Thank you for purchasing a mulching kit for your Honda HA4118/20 lawn tractor.

This manual covers the operation, maintenance, and installation of the mulching kit. For your convenience, this manual also includes a parts description guide, and warranty service information.

Before installing or operating this equipment, read this operator's manual and the owner's manual supplied with the tractor.

As you read this manual, you will find information preceded by a **NOTICE** symbol. That information is intended to help you avoid damage to your mulching kit, other property, or the environment.

The information in this operator's manual is limited in application to the CD4138 and CD4148 Mulching Kits when installed and used on a HA4118 and HA4120 lawn tractors with the CD4138 (38") and CD4148 (48") mower decks respectively.

Left and right sides of this unit are determined from the operator's position on the tractor, facing the direction of forward travel.

This manual is a permanent part of the mulching kit and must stay with it if resold.

All the information in this publication is based on the latest product information available at the time of printing. American Honda Motor Co., Inc. reserves the right to make changes at any time without notice and without incurring any obligation.

No part of this publication may be reproduced without written permission.

**CONTROLS**

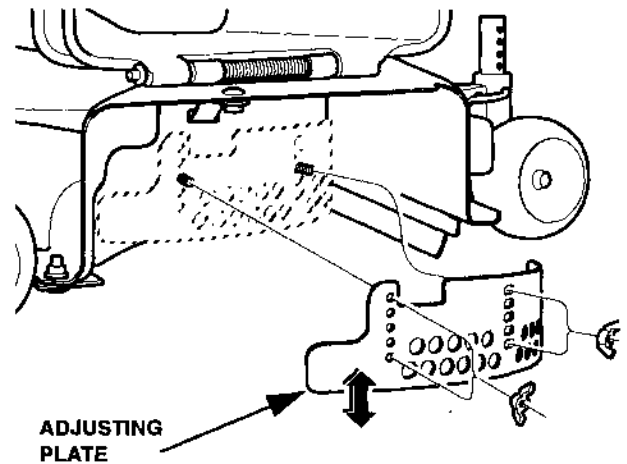
This chapter shows the mulching kit control location and it tells you how the control works. It only covers the control relating to the mulching kit. Have your Honda tractor owner's manual handy for reference while reading this chapter.

**Adjusting Plate**

You can adjust this plate up or down, depending on if you are mulching grass or leaves.

When the plate is moved all the way down (closer to the ground) the clippings are held inside the mower deck for a longer period of time. The clippings are cut repeatedly by the mulching blades and are turned into a very fine mulch. This is the best setting for leaves and other heavy mulching.

When the plate is all the way up, the clippings only briefly circulate inside the mower deck, so they are only mulched by the blade for a short period of time. The clippings aren't cut as often, and the final mulch is larger and coarser. This is the best setting for light and frequent mulching of grass only. If you experience deck clogging, move the mulch plate up.



## **BEFORE OPERATION**

---

### **GENERAL**

For your safety, and to prolong the service life of your equipment, always inspect the mulching kit parts before each use. Perform the *Before Mowing* checks listed in the tractor's manual.

### **CHECK MOWING AREA**

For your safety and the safety of others, always inspect the area before mowing.

#### **Objects**

Anything which can be picked up by the mower is a potential hazard to you and others. Always remove any large debris from the mowing area.

Remove motor vehicles or other objects from the mowing area to prevent them from getting damaged.

#### **People and Pets**

People and animals near the mowing area can move into your path. Clear the area of pets, people, and especially children. Their safety is your responsibility.

### **PROTECTIVE CLOTHING**

Be sure to wear protective clothing such as long pants and eye protection which can lower your risk of injury. Wear footwear that protects your feet. Wear ear protection to protect your hearing.

Do not wear loose fitting clothing, jewelry, scarves, ties, etc., which may get caught in moving parts. Tie up or restrain long hair.

Wear a dust mask when mowing in dusty conditions.

### **INSPECT THE MULCHING KIT**

Park the lawn tractor on a flat, level surface. Set the parking brake ON, and remove the ignition key. Put on heavy gloves when working around the blades

Inspect the blades as described in the tractor's owner's manual. Inspect the nuts, bolts and other hardware on the mulching kit. Verify that the wing nuts on the mulching plate are secure.

### IMPORTANT SAFETY INFORMATION

Before operating the lawn tractor with the mulching kit installed for the first time, please review the safety information in the lawn tractor owner's manual, and the previous chapter of this book, *BEFORE OPERATION*.

For your safety, avoid starting or operating the tractor's engine in an enclosed area such as a garage. When running, the tractor's engine exhaust produces poisonous carbon monoxide gas which can collect rapidly in an enclosed area and cause illness or death.

The following precautions are suggested to help prevent accidents. A careful operator is the best operator. Most accidents can be avoided by observing certain precautions. Read the following precautions before operating the lawn tractor to help prevent accidents. Equipment should be operated only by those who are responsible and instructed to do so.

#### Operator Responsibility

- Do not allow anyone to ride on the lawn tractor.
- Always move the PTO knob to OFF, shut the engine OFF, remove the ignition key, and wait for all moving parts to stop before leaving the operator's position, leaving the lawn tractor unattended or inspecting the lawn tractor or mulching kit parts.
- Be sure the area is clear of other people before operation. Stop the lawn tractor if anyone enters the area. Do not operate the lawn tractor with children, pets or others nearby.
- Watch out for traffic when operating near or crossing roadways. Slow down before turning and approach blind corners cautiously.
- Always observe the area ahead. Avoid obstacles and stay away from holes, ditches, soft or steep embankments and other potentially dangerous areas.
- Wet surfaces reduce traction and stability. Always maintain proper traction.
- Stop the tractor's engine, then set the parking brake ON, remove the ignition key and put on heavy gloves before changing the position of the adjusting plate.

#### Children

- Accidents can occur if the operator is not alert to the presence of children. Children are often attracted to the machine and the tractor's activity. Never assume that children will remain where you last saw them.
- Keep children out of the work area and under the watchful eye of another responsible adult.
- Be alert and turn off the lawn tractor if children enter the area.

#### Operation

- Read the tractor owner's manual carefully. Be thoroughly familiar with the controls and proper use of the tractor. Know how to stop the tractor and disengage the controls quickly.
- Refer to the tractor owner's manual for detailed instructions on starting the engine and parking.

## OPERATION

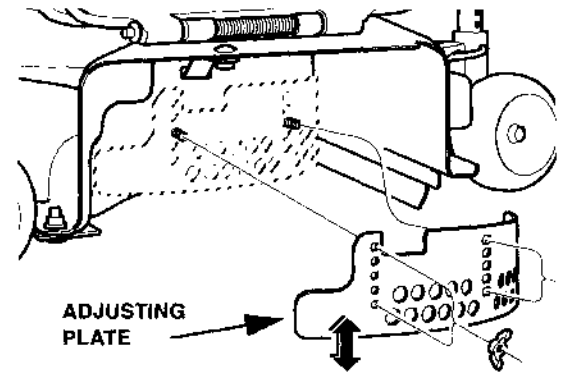
---

- Left and right sides of the lawn tractor and mower deck are determined from the operator's position, facing the direction of forward travel.
- Always remain in the operator's seat of the tractor when operating the lawn tractor.
- If you strike a foreign object, move the PTO knob to OFF, shut the engine OFF, and remove the ignition key. Inspect for and repair any damage before operating the lawn tractor again.

## ADJUSTING PLATE

The holes in the adjusting plate allow air and some grass/leaf particles to be discharged. The lower the plate is to the ground, the fewer the particles discharged.

1. When mulching grass only, raise the adjusting plate closer to the mower deck. Loosen and remove the wing nuts and move the plate up.
2. When mulching leaves, lower the adjusting plate closer to the ground. Loosen and remove the two wing nuts and move the plate down.
3. Reinstall the self-locking wing nuts and tighten them securely. You may need to try different settings to get the desired results.



## GRASS CUTTING BASICS

### Cutting Height

A cutting height setting of 2 inches is appropriate for most lawns during cool weather. A higher cut may be needed to protect the lawn during hot summer months. Consult a local nursery or lawn and garden center for advice about specific types of grasses and growing conditions in your area. Most grasses should be cut when they have grown to 1 inch above the recommended height. If your grass gets too tall, cut it back a little at a time, allowing a few days for the grass to recover between mowings. Avoid cutting more than one third of total grass height in any one mowing.

For best mulching results, mow the lawn frequently enough that you will need to cut off less than one inch. Frequent mowing, with light cuts, makes it easier for your mulching mower to turn grass clippings into fine particles that will fall through the turf and decompose quickly.

## Cutting Width

For an even lawn finish, overlap each mowing swath by a few inches. If the grass is very tall or thick, use more overlap and a narrower mowing swath. If clogging or clumping occurs, you may also need to mow more slowly or raise the cutting height setting.

## Blade Speed

For best performance, the blades must spin very fast. Always use the FAST throttle setting, and keep the engine running at or near maximum rpm. If you hear the engine speed decrease, mow more slowly, cut a narrower swath, or raise the cutting height setting.

## Blade Sharpness

Keep the blades sharp. Sharp blades cut cleanly. Dull blades tear the grass, leaving shredded ends that turn brown.

## Moisture

Always wait for wet grass to dry. Wet grass clippings will clog the mower deck and mulching plate, and collect in clumps on the lawn. If the soil is very dry, mowing can stir up a lot of dust. Besides being unpleasant to work in, too much dust will clog the air filter on the tractor's engine. If dust is a problem, water your lawn the day before mowing. Mow when the grass dries, and the soil is still moist.

## Mulching

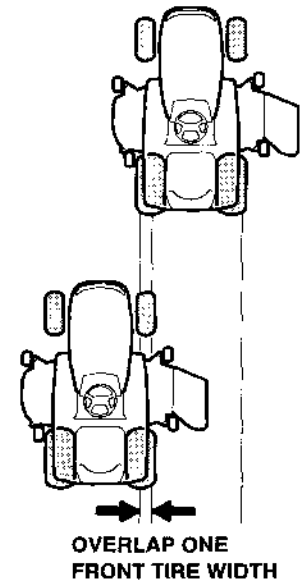
Mulching cuts grass clippings and fallen leaves into fine particles that fall through the turf and decompose quickly. This returns nutrients to the soil and reduces the need for raking, bagging, and disposal. For best mulching results, mow the lawn frequently, cutting off less than one inch of grass each time. In growing season, you will probably need to mow the lawn twice a week. Heavy layers of leaves may be difficult to mulch. This mulching kit closes the discharge port in the mower deck in order to recirculate grass clippings through the special mulching blades. Periodically cleaning the accumulated grass clippings from the mower deck and tractor before using will help promote clipping recirculation.

## The 1/3 Rule

For best mulching results, no more than 1/3 of the grass blade should be cut off at one time. More than one cut may be required to follow this rule.

## Side-discharge or Rear Bagging

For side-discharge or rear bagging operation, for best results you must remove the deflectors and mulching plate, and install high-lift blades. See page 20.





# INSTALLATION

---

## THE IMPORTANCE OF INSTALLATION

### For Your Customer's Safety

Proper installation is essential to the customer's safety and the reliability of the machine. Any error or oversight while installing the unit can result in faulty operation, damage to the machine, or injury to others.

#### **WARNING**

Improper installation can create an unsafe condition that can cause your customer or others to be seriously hurt or killed. Follow the procedures and precautions in installation instructions and shop manuals carefully.

### For Your Safety

Some of the most important general service safety precautions are given below. However, we cannot warn you of every conceivable hazard that can arise in performing this installation. Only you can decide whether or not you should perform a given task

#### **WARNING**

Failure to properly follow installation instructions and precautions can cause you to be seriously hurt or killed. Follow the procedures and precautions in this manual carefully.

### Important Safety Precautions

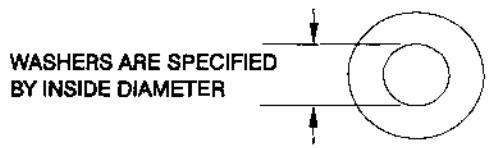
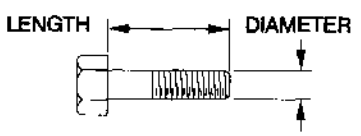
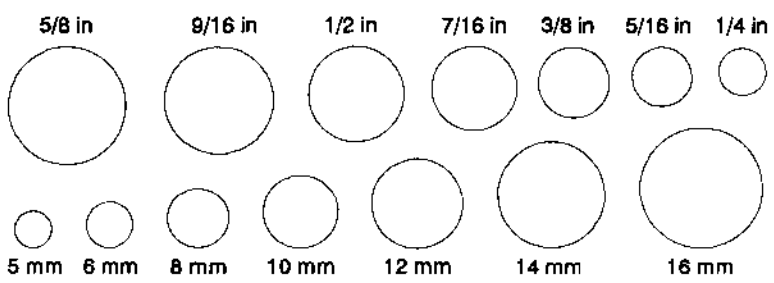
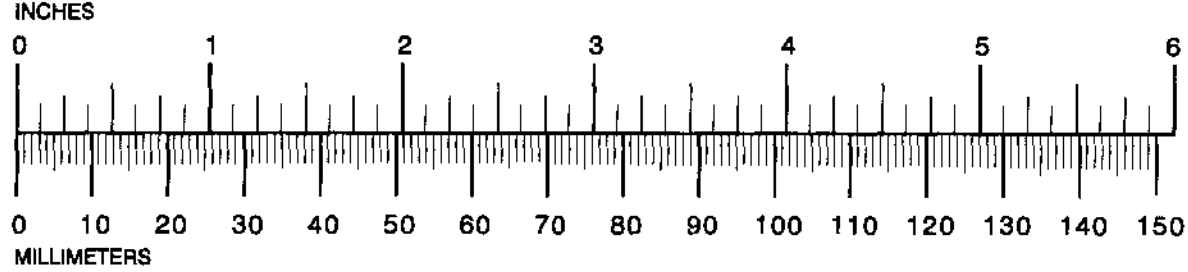
- Make sure you have a clear understanding of all basic shop safety practices and that you are wearing appropriate clothing and using safety equipment. When performing any service task, be especially careful of the following:
  - Read all the instructions before you begin and be sure you have the tools, the replacement or repair parts, and the skills required to perform the tasks safely and completely.
- Make sure the engine is off before you begin any servicing procedures, unless the instruction tells you to do otherwise. This will help eliminate several potential hazards:
  - Carbon monoxide poisoning from engine exhaust.**  
Be sure there is adequate ventilation whenever you run the engine.
  - Burns from hot parts.**  
Let the engine and exhaust system cool before touching.
  - Injury from moving parts.**  
Do not run the engine unless the instruction tells you to do so. Even then, keep your hands, fingers, and clothing away. Do not run the engine when any protective guard or shield is removed.
- To reduce the possibility of a fire or explosion, be careful when working around gasoline or batteries. Use only a nonflammable solvent, not gasoline, to clean parts. Keep all cigarettes, sparks, and flames away from the battery and all fuel-related parts.

**TORQUE VALUES**

NUT AND BOLT DIAMETER	TORQUE VALUES		
	ft-lb	kg-m	N•m
8 mm bolts	15	2.1	21

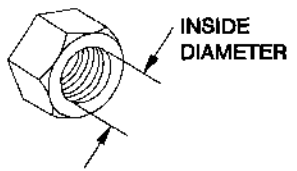
**HARDWARE MEASURING CHART**

How to measure hardware and components:





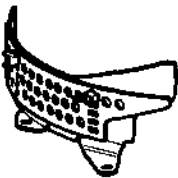
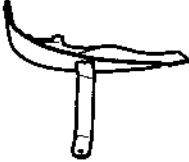

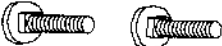



WASHERS ARE SPECIFIED BY INSIDE DIAMETER

NUTS ARE SPECIFIED BY INSIDE DIAMETER (AT THREAD DEPTH)



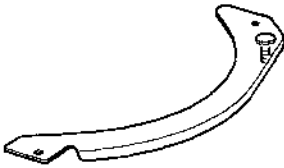
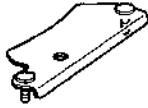
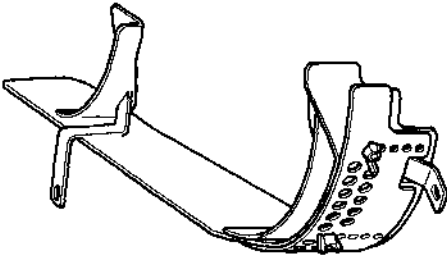



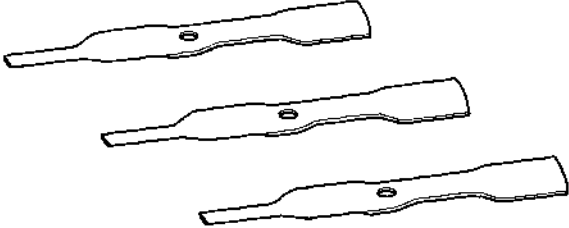
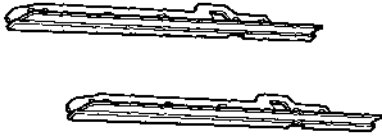
# INSTALLATION

## PARTS LIST

CD4138 (38") Deck Mulch Kit			
Illustration	Description	Qty	Part Number
	Side lip	1	76265-V09-M01
	Rear lip	1	76266-V09-M01
	Mulching Plate	1	76261-V09-M01
	Adjustment Plate	1	76264-V09-M01
	Carriage bolt, 8 x 16 mm	2	90105-V09-A01
	Retainer frame	2	91151-V09-A01
	Wing nut, self-locking	2	90321-V09-M01
	Deflector	1	76263-V09-M01
	Retainer plate	1	91158-V09-M01
	Carriage bolt, 8 x 16 mm	2	90108-V09-A01
	Flange nut, 8 mm	1	90304-V09-D01
	8 mm self-locking flange nut	7	90304-V09-D01
	Mulching blade	2	72511-V09-M01

# INSTALLATION

## CD4148 (48") Deck Mulch Kit

Illustration	Description	Qty	Part Number
	Side baffle	1	76269-V09-M21
	Center baffle	1	76262-V09-M21
	Adjustment plate	1	76272-V09-M21
	Deflector	1	76260-V09-M21
	Carriage bolt, 8 x 20 mm	1	90108-V09-A01
	Carriage bolt, 8 x 25 mm	3	90101-V09-D01
	Self-locking wing nut	2	90321-V09-M01
	Mulching plate	1	76260-V09-M21
	Washer, 8.4 x 25 x 2	2	90531-V09-M21
	Retainer plate	1	91151-V09-A01
	Carriage bolt, 8 x 20 mm	5	90108-V09-A01
	Flange nut, 8 mm	1	
	8 mm self-locking flange nut	9	90304-V09A-A01
	Mulching blade	3	72511-V09-M21
	Deflector, mulching	2	76274-V09-M21
	Mulching strip	2	76273-V09-M21
	Front lip plate	2	76268-V09-M21
	Rivet	2	commercially available

## INSTALLATION

---

### INSTALL MULCHING KIT

#### Remove Mower Deck

1. Park the lawn tractor on a level surface. Stop the engine. Engage the parking brake. Remove the ignition key. Allow the engine to fully cool. Disconnect both spark plug caps.
2. If tire chains are installed, remove them to prevent damage to the mower deck.

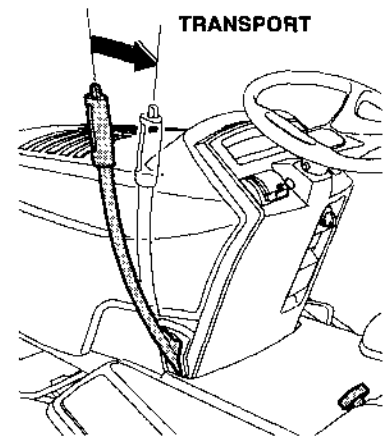
### CAUTION

The lift assist spring is under tension when the lift lever is not in the LOCKOUT position.

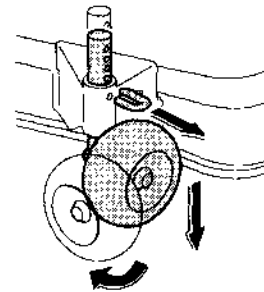
You can be injured by the lift spring.

Always move the lift lever to the LOCKOUT position before removing the mower deck.

3. Put the lift lever all the way back to TRANSPORT (upper) position.

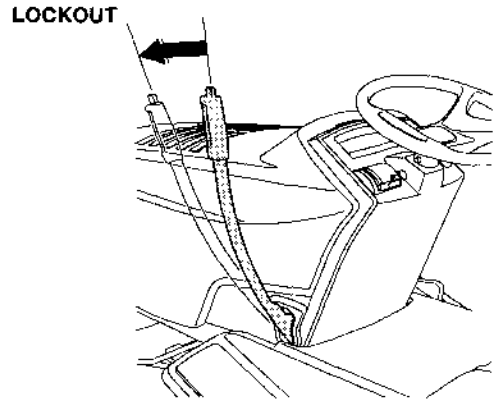


4. Turn the height adjustment knob to the blank mark on knob.
5. **On 48 inch mowers only:** Pull out on J-pins and turn antiscalp rollers 90 degrees on both sides of mower deck. This position makes it easy to move the mower deck out from under the tractor. Release J pins in shaft holes to lock rollers in position.

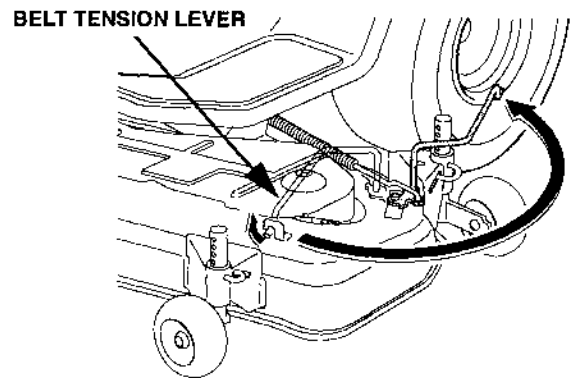


## INSTALLATION

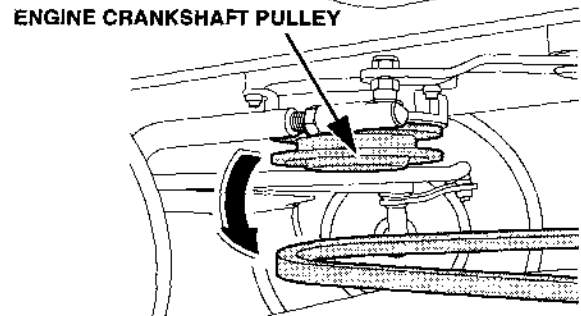
6. Push lift lever all the way forward to LOCKOUT (lower) position.



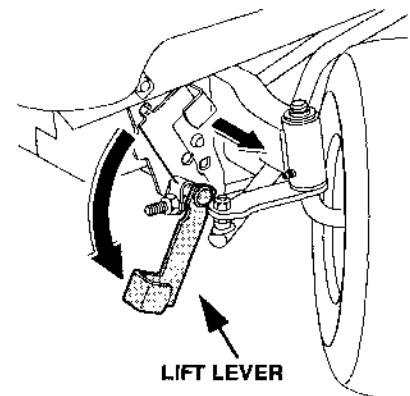
7. Disconnect drive belt tension lever from hook bracket by pulling lever out of notch on bracket, then up and toward you to relieve belt tension.



8. Remove drive belt from the engine crankshaft pulley and mower deck pulleys.

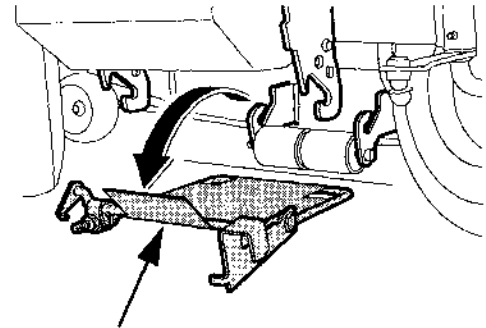


9. Pull out and down on front lift lever to disconnect front lift rod assembly from mower deck.



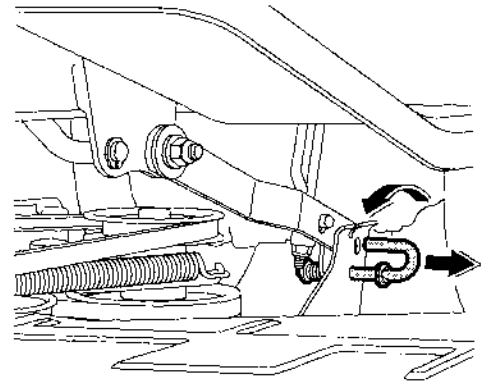
## INSTALLATION

10. Remove the lift rod attaching assembly from tractor and mower deck.



LIFT ROD ATTACHING ASSEMBLY

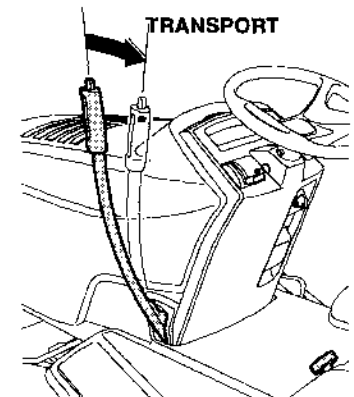
11. Pull out on rear attaching J-pins on each side of mower deck and turn pins to unlocked position to disconnect mower from tractor. It may be necessary to manually lift up on the rear of the mower deck to pull out the J-pins.



12. To prevent tension lever from catching on tractor, make sure tension lever is latched back into its bracket.

13. Grip the lift lever firmly (it is now under spring tension), and move it to the TRANSPORT (upper) position.

14. Slide mower deck out from under side of tractor.



## REMOVE BLADES

1. Place a block of wood between the blade and the deck to prevent the blade from turning when removing bolt.

2. Remove bolts, washers, and blades.

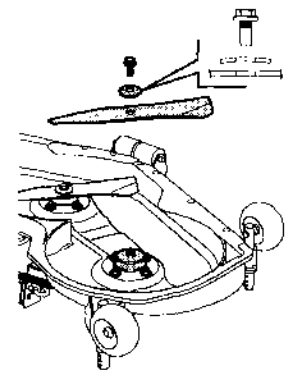
## CLEAN MOWER DECK

1. Thoroughly clean the underside of the mower deck.
2. Be sure to wash away all debris, dirt and other materials.

## GO TO...

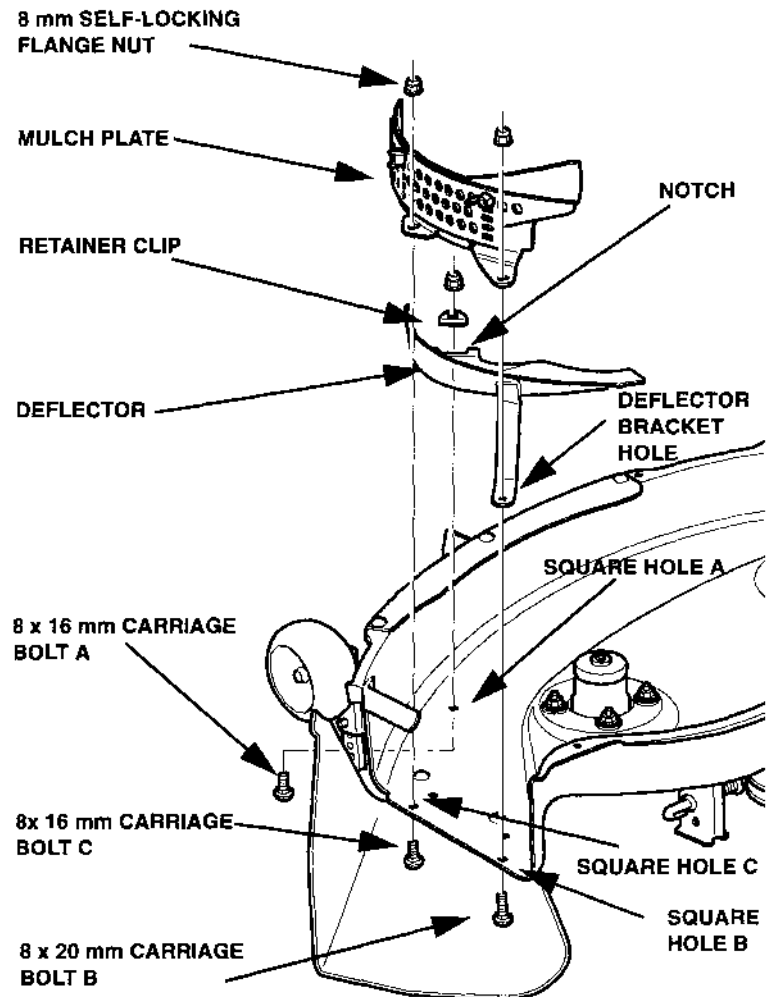
38" mower deck, page 15.

48" mower deck, page 16.

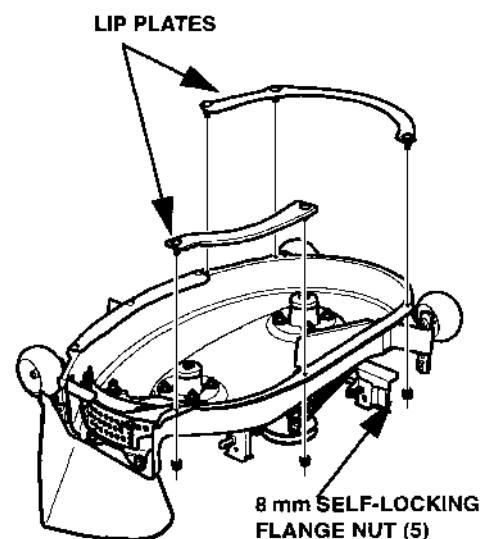


## 38" MOWER DECK: INSTALL DEFLECTOR, MULCH PLATE, AND LIPS

1. Insert carriage bolt A (8 x 16 mm) into the square hole A from the top (belt & pulley) side of the mower deck. Put the retainer clip onto the bolt, then loosely install an 8 mm self-locking flange nut.
2. Line up the notch on the deflector with the retainer clip, then line up the deflector bracket hole with hole B in the mower deck.
3. Install carriage bolt B (8 x 20 mm) through square hole B, deflector bracket hole, mulch plate hole and then an 8 mm self-locking flange nut.
4. Install carriage bolt C (8 x 16 mm) through square hole C, mulch plate, and an 8 mm self-locking flange nut.



5. Install the two lip plates as shown, using five 8 mm self-locking flange nuts.
6. Tighten all hardware:
7. Skip ahead to page 18, *Install Blades*.

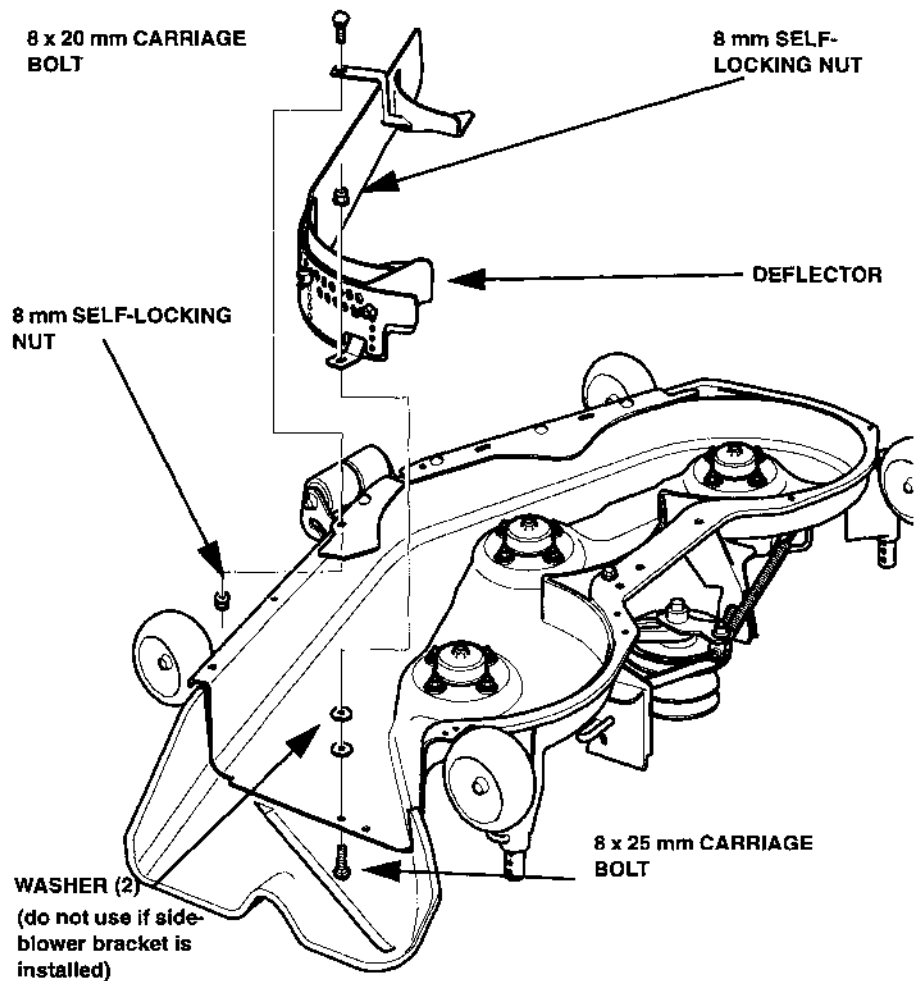




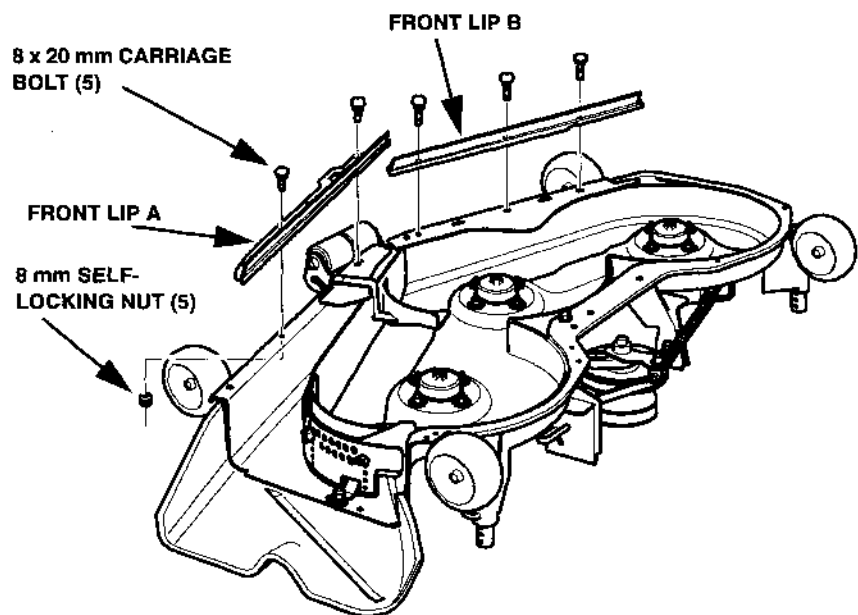
## INSTALLATION

### 48" MOWER DECK: INSTALL DEFLECTOR, FRONT LIPS AND REAR LIPS

1. Install the deflector to the mower deck with an 8 x 25 mm carriage bolt, two flat washers, and 8 mm self-locking nut. The two flat washers should NOT be installed if the bracket for the optional side-blower bracket is already installed on the mower deck (See the operator's manual for the side-blower for details.)
2. Install the remaining deflector bracket on the front of the mower deck using an 8 x 20 mm carriage bolt and 8 mm self-locking nut as shown. Tighten the deflector hardware to 15 ft-lbs (21 N•m, 2.1 kg-m).

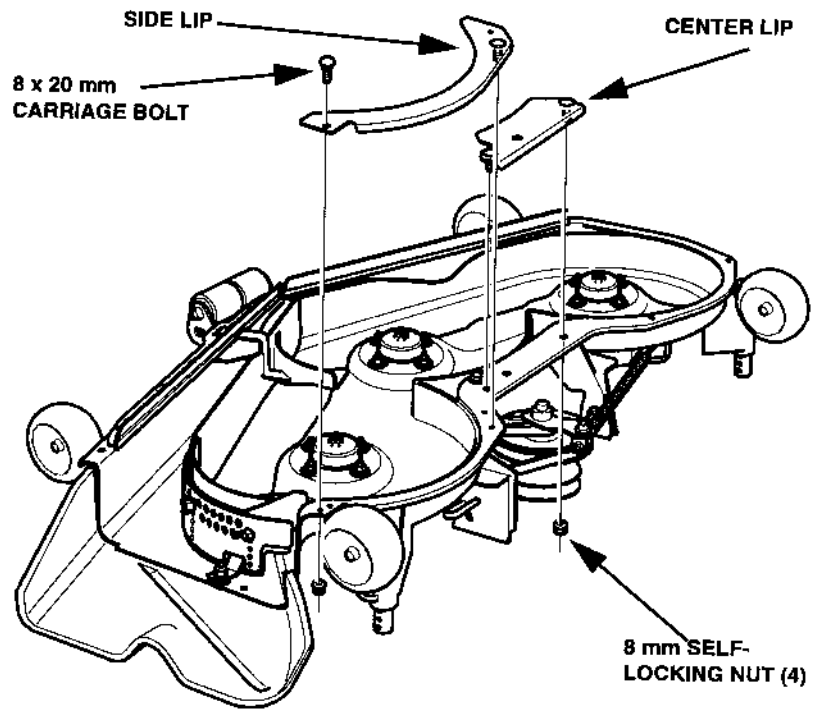


3. Install front lip A, using two 8 x 20 mm carriage bolts and 8 mm self-locking nuts. Install front lip B, using two 8 x 25 mm carriage bolts and 8 mm self-locking nuts.



## INSTALLATION

4. Install the center lip, using two 8 mm self-locking nuts. Install the side lip, using an 8 x 25 mm carriage bolt and two 8 mm self-locking nuts. Tighten the hardware to 15 ft-lbs (21 N•m, 2.1 kg-m).



## INSTALLATION

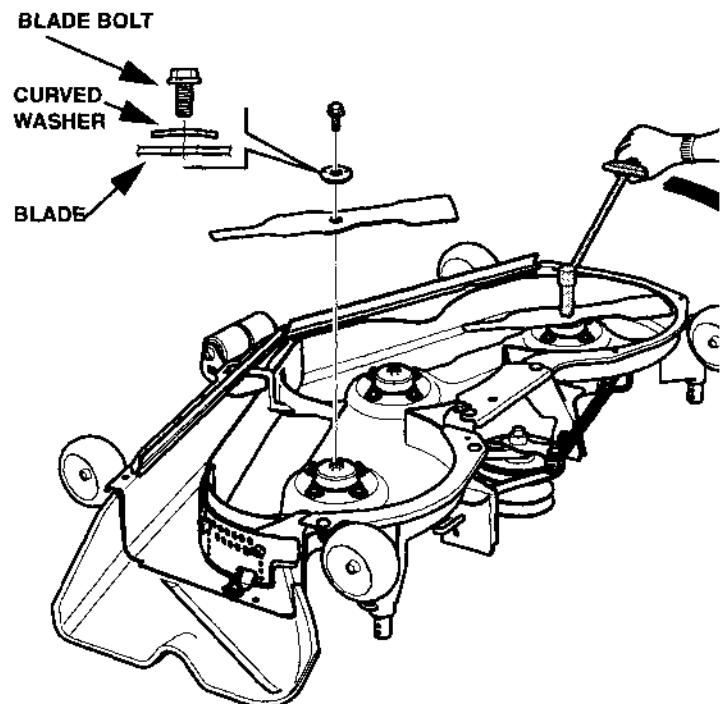
### INSTALL BLADES

1. Install the mulching blades as shown. Fasten with washer and bolt. Make sure cupped side of washer is next to blade.
2. Use a block of wood to prevent the blades from turning, and use a torque wrench to tighten the blades bolts.

**38" mower: 55 ft-lb (75 N•m)**

**48" mower: 50 ft-lb (68 N•m)**

3. Carefully rotate all blades and make sure that none of the blades contacts any part of the mower deck.



(48" DECK SHOWN; 38" SIMILIAR)

### INSTALL MOWER DECK

Refer to the previous removal steps and illustrations as needed.

1. Verify that the lift lever is in the TRANSPORT position.
2. Push mower deck under tractor from either side.
3. Verify that the height adjustment knob is to blank mark on knob.
4. Move the lift lever to the LOCKOUT position.
5. Install the rear mower deck lift brackets to lift arms with the J-pins. You may need to slightly lift the rear of the mower deck to get the bracket holes and pins to line up properly.
6. Attach front lift rod assembly to hooked end of tractor's frame brackets and hooked end of mower deck attaching brackets.
7. Rotate the front lift lever up so pin on lever is locked in hole on left-hand side of tractor frame.
8. Install mower drive belt on tractor drive pulley and mower drive pulley.
9. Position the belt tension lever in its bracket on the mower deck.
10. **48" Mower Deck:** Rotate the antiscalp rollers to their previous position.

## REMOVAL

---

### REMOVING THE MULCHING KIT

For side-discharge or rear bagging, certain parts of the mulching kit must be removed from the mower deck. Use the **INSTALLATION** procedures (starting on page 8) as your reference. Pay attention to the safety information before removing any parts.

- Remove mower deck (page 12)
- Remove mulching blades (page 14)
- Remove deflectors and mulching plate (Page 14)
- Remove front lips (48" mower deck) \* (page 16)
- Install high-lift blades. Be sure they are sharp and in good condition. See *BLADE INSPECTION* in your tractor owner's manual for details.
- Install mower deck (page 19)

\* The front lips should be removed when the 48" mower deck is set up for side-discharge mowing. Otherwise, clippings may accumulate along the front edge and top of the mower deck. The front lips may remain on the mower deck when it is set up for rear bagging.

### THE IMPORTANCE OF MAINTENANCE

Good maintenance is essential for safe, economical, and trouble-free operation.

To help you properly care for your mulch kit, the following pages include routine inspection procedures and simple maintenance procedures using basic hand tools. Other service tasks that are more difficult, or require special tools, are best handled by professionals and are normally performed by a Honda technician or other qualified mechanic.

#### **WARNING**

Improper maintenance, or failure to correct a problem before operation, can cause a malfunction in which you can be seriously hurt or killed.

Always follow the inspection and maintenance recommendations and schedules in this operator's manual and the owner's manual included with the tractor.

## MAINTENANCE

---

### MAINTENANCE SAFETY

Some of the most important safety precautions follow. However, we cannot warn you of every conceivable hazard that can arise in performing maintenance. Only you can decide whether or not you should perform a given task.

#### **WARNING**

Failure to properly follow maintenance instructions and precautions can cause you to be seriously hurt or killed.

Always follow the procedures and precautions in this operator's manual and the owner's manual included with the tractor.

### Safety Precautions

- Make sure the engine is off, ignition key is removed, PTO knob is in the OFF position and all moving parts have stopped before you begin any maintenance or repairs. This will eliminate several potential hazards:
  - **Carbon monoxide poisoning from engine exhaust.**  
Be sure there is adequate ventilation whenever you operate the engine.
  - **Burns from hot parts.**  
Let the engine and exhaust system cool before touching.
  - **Injury from moving parts.**  
Do not run the engine unless the instruction tells you to do so. Even then, keep your hands, fingers, and clothing away. Do not run the engine when any protective guard or shield is removed.
- Read the instructions before you begin, and make sure you have the tools and skills required.
- To reduce the possibility of fire or explosion, be careful when working around gasoline. Use only a nonflammable solvent, not gasoline, to clean parts. Keep cigarettes, sparks, and flames away from all fuel-related parts.

Remember that an authorized Honda servicing dealer knows your mulching kit best and is fully equipped to maintain and repair it.

To ensure the best quality and reliability, use only new, genuine Honda parts or their equivalents for repair and replacement.

Do not alter or modify the mulching kit. If you have any questions, contact your dealer.

## MAINTENANCE ITEMS

### BLADES

Inspect, check bolt tightness, remove, sharpen, or replace the blades as described in the owner's manual supplied with your tractor. Always complete these steps before working around the mower blades:

1. Move the PTO clutch knob to OFF. Engage the parking brake.
2. Turn the ignition switch to OFF and remove the key.
3. Disconnect the spark plug caps.

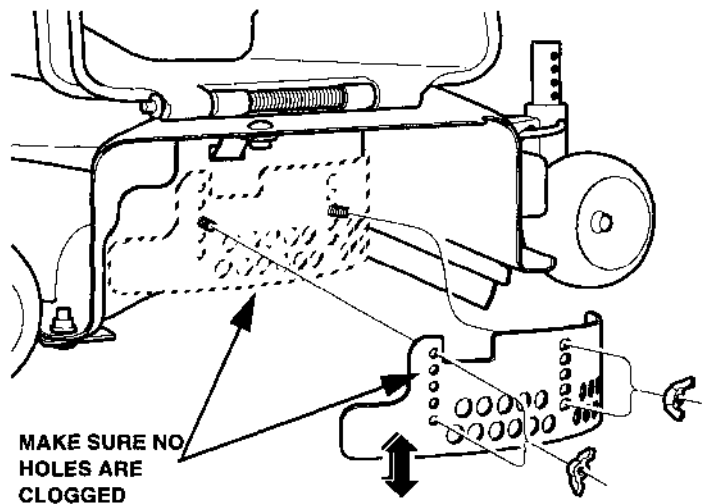
When installing the blades, always use a torque wrench to tighten the bolts:

**38" mower: 55 ft-lb (75 N•m)**

**48" mower: 50 ft-lb (68 N•m)**

### Cleaning

Follow the guidelines in the owner's manual supplied with your tractor to clean the mower deck. Pay close attention to the adjusting plate, and don't allow any of the holes to become clogged.

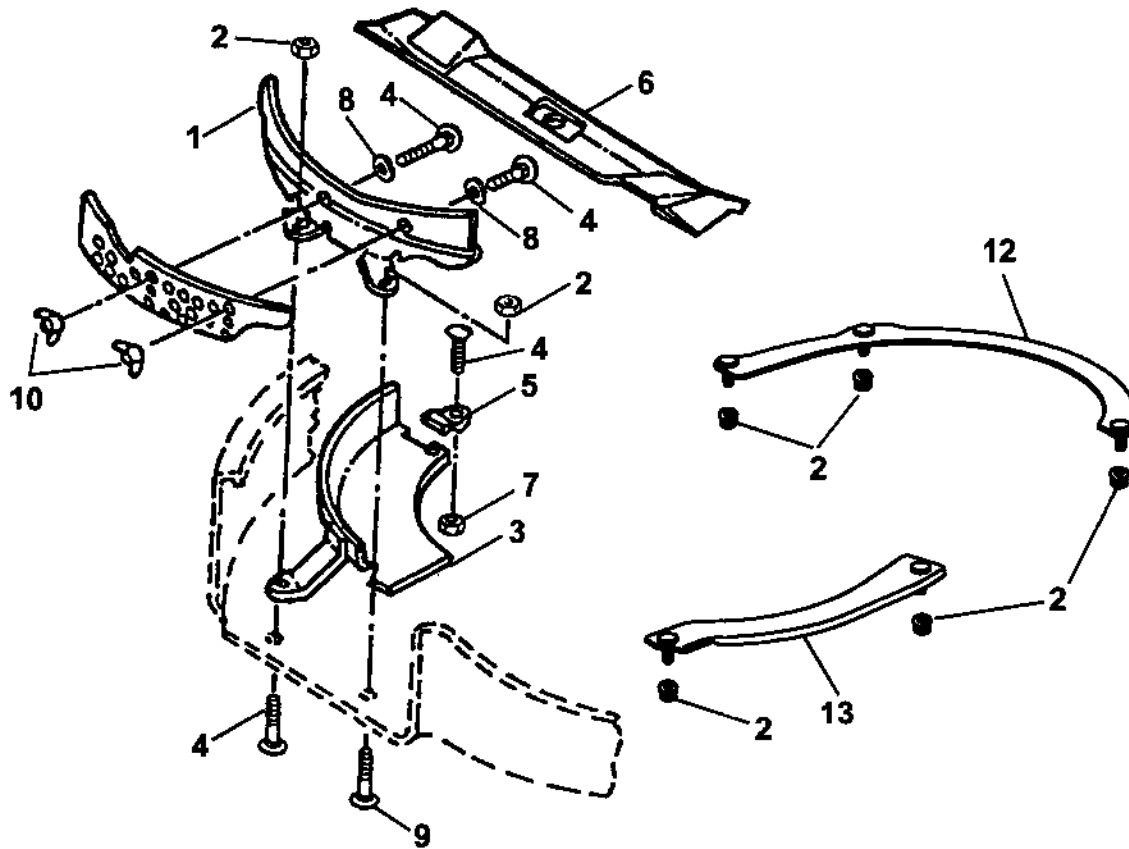




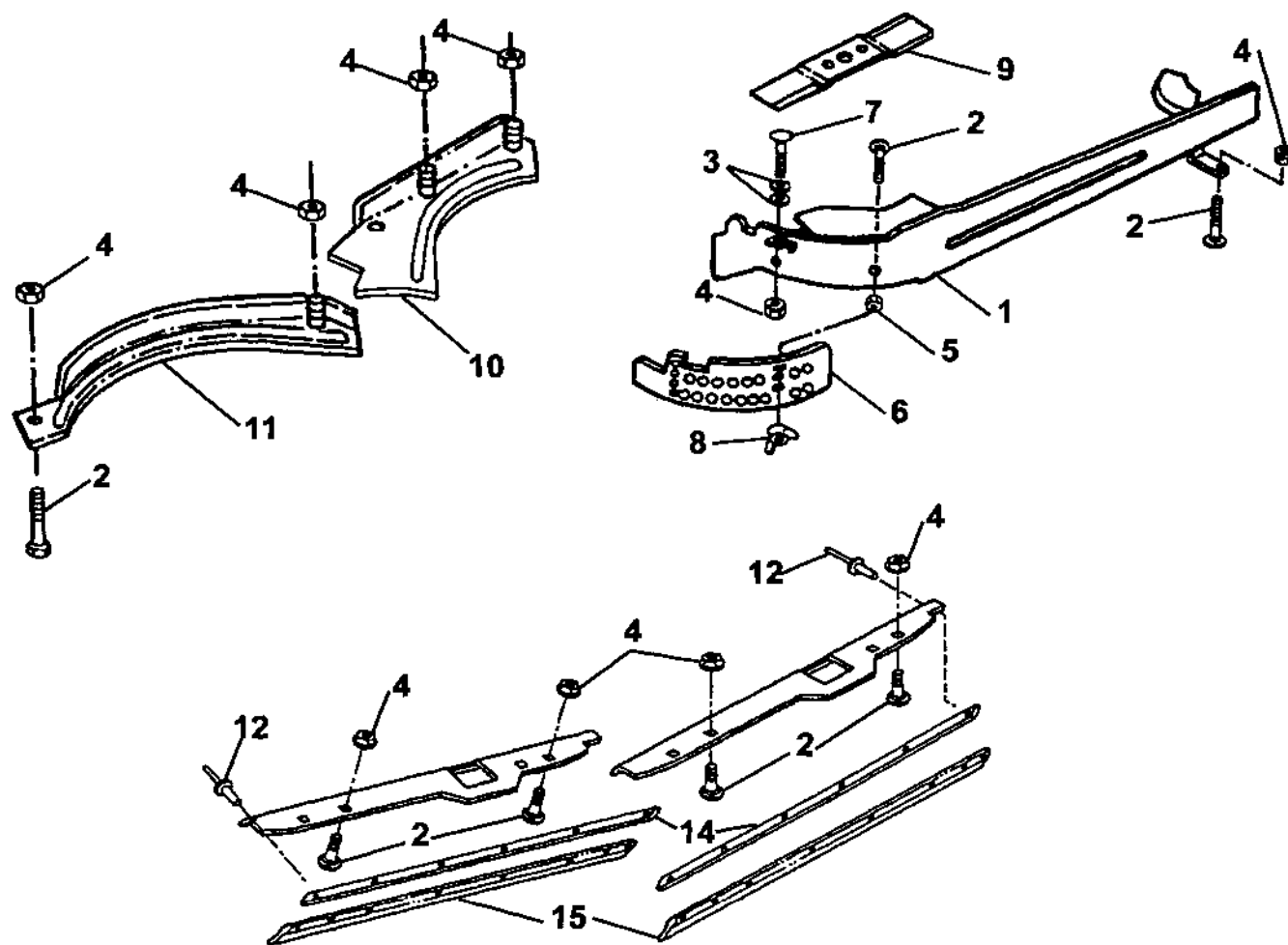
# PARTS

## REPLACEMENT PARTS

Replacement parts may be purchased from an authorized servicing Honda lawn tractor dealer.



38" Mulch Kit			
Ref	Description	Qty	PN
1	PLATE, MULCHING	1	76261-V09-M01
2	NUT D, LOCK 8mm	7	90304-V09-D01
3	DEFLECTOR COMP, MULCHING	1	76263-V09-M01
4	BOLT, CARRIAGE 8 x 16mm	8	90105-V09-A01
5	RETAINER, PLATE	1	91158-V09-M01
6	BLADE, 38" MULCHING	2	72511-V09-M01
7	NUT, FLANGE 8mm	1	90301-V09-A01
8	RETAINER, FRAME	2	91151-V09-A01
9	BOLT, CARRIAGE 8 x 20mm	1	90108-V09-A01
10	NUT, WING LOCK	2	90321-V09-M01
11	PLATE, ADJ. MULCHING	1	76264-V09-M01
12	PLATE, SIDE LIP	1	76265-V09-M01
13	PLATE, RR LIP	1	76266-V09-M01



48" Mulch Kit

Ref	Description	Qty	PN
1	PLATE COMP, MULCHING	1	76260-V09-M21
2	BOLT, CARRIAGE 8 x 20mm	5	90108-V09-A01
3	WASHER, 8.4 x 25 x 2	2	90531-V09-M21
4	NUT B, SELF-LOCKING 8mm	9	90304-V09-A01
5	RETAINER, FRAME	1	91151-V09-A01
6	PLATE, ADJUSTABLE	1	76272-V09-M21
7	BOLT, CARRIAGE 8x 25mm	3	90101-V09-D01
8	NUT, WING LOCK	1	90321-V09-M01
9	BLADE, MULCHING	3	72511-V09-M21
10	BAFFLE, RR CENTER	1	76262-V09-M21
11	RIVET, MULCHING PLATE	2	76105-V09-M21
12	DEFLECTOR, MULCHING	2	76274-V09-M21
13	RIVET, MULCHING STRIP	2	76273-V09-M21
14	PLATE, FRONT LIP	2	76268-V09-M21

## **ADDITIONAL INFORMATION**

---

### **HONDA PUBLICATIONS**

An owner's manual, shop manual and parts listing are available for your tractor. Contact your authorized servicing Honda tractor dealer to order any of these publications.

### **WARRANTY SERVICE INFORMATION**

Honda Power Equipment dealership personnel are trained professionals. They should be able to answer any question you may have. If you encounter a problem that your dealer does not solve to your satisfaction, please discuss it with the dealership's management. The Service Manager or General Manager can help. Almost all problems are solved in this way.

If you are dissatisfied with the decision made by the dealership's management, contact the Honda Power Equipment Customer Relations Office.

You can write to:

American Honda Motor Co., Inc.  
Power Equipment Division  
Customer Relations Office  
4475 River Green Parkway  
Duluth, GA 30096-2565

Or telephone:

(770) 497-6400 weekdays, 8:30 a.m. - 5:00 p.m. EST

When you call or write, please provide us the following information:

- Serial number of your tractor
- Name of the dealer who sold you the tractor and mulching kit
- Name and address of the dealer who services your tractor
- Date of purchase
- Your name, address, and telephone number
- A detailed description of the problem

## **Current customer service contact information:**

### **United States, Puerto Rico, and U.S. Virgin Islands:**

Honda Power Equipment dealership personnel are trained professionals. They should be able to answer any question you may have. If you encounter a problem that your dealer does not solve to your satisfaction, please discuss it with the dealership's management. The Service Manager or General Manager can help. Almost all problems are solved in this way.

If you are dissatisfied with the decision made by the dealership's management, contact the Honda Power Equipment Customer Relations Office. You can write:

American Honda Motor Co., Inc.  
Power Equipment Division  
Customer Relations Office  
4900 Marconi Drive  
Alpharetta, GA 30005-8847

Or telephone: (770) 497-6400 M-F, 8:30 am - 5:00 pm EST

When you write or call, please provide the following information:

- Model and serial numbers
- Name of the dealer who sold the Honda power equipment to you
- Name and address of the dealer who services your equipment
- Date of purchase
- Your name, address, and telephone number
- A detailed description of the problem

**HONDA**

**PN: 31HA460M**  
**HC: 6042659**



Printed on  
Recycled Paper