

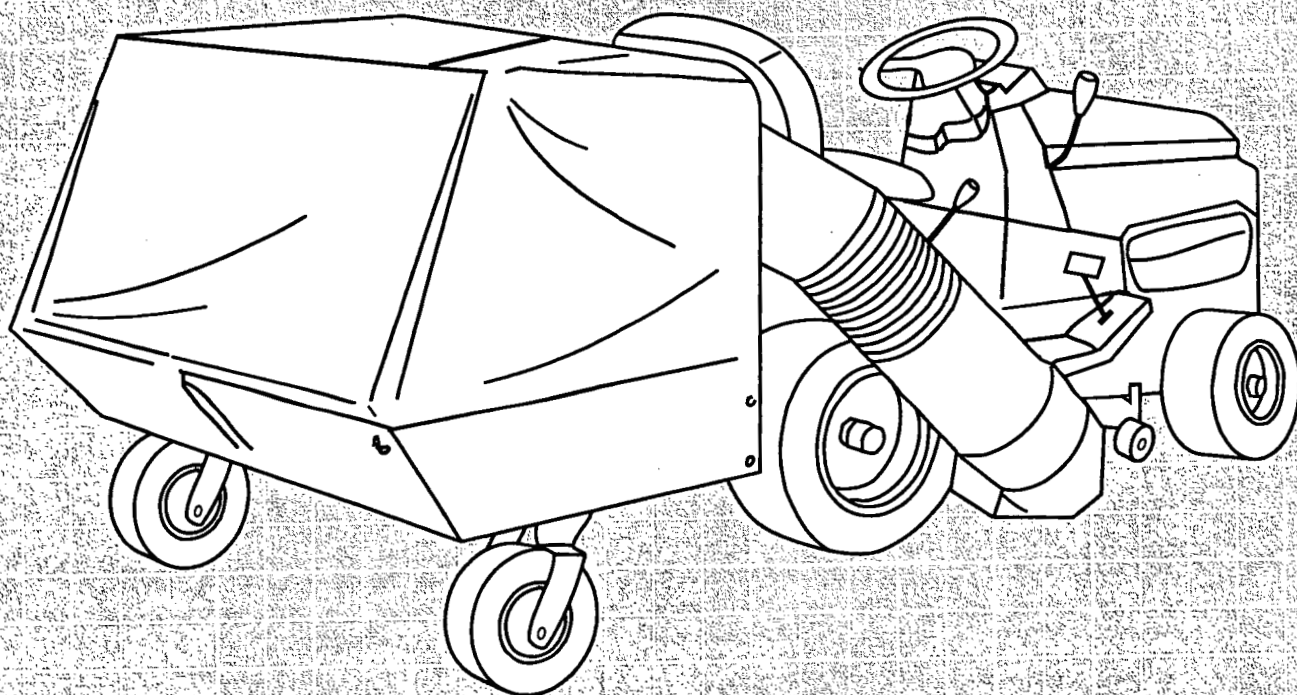
HONDA

Power

Equipment

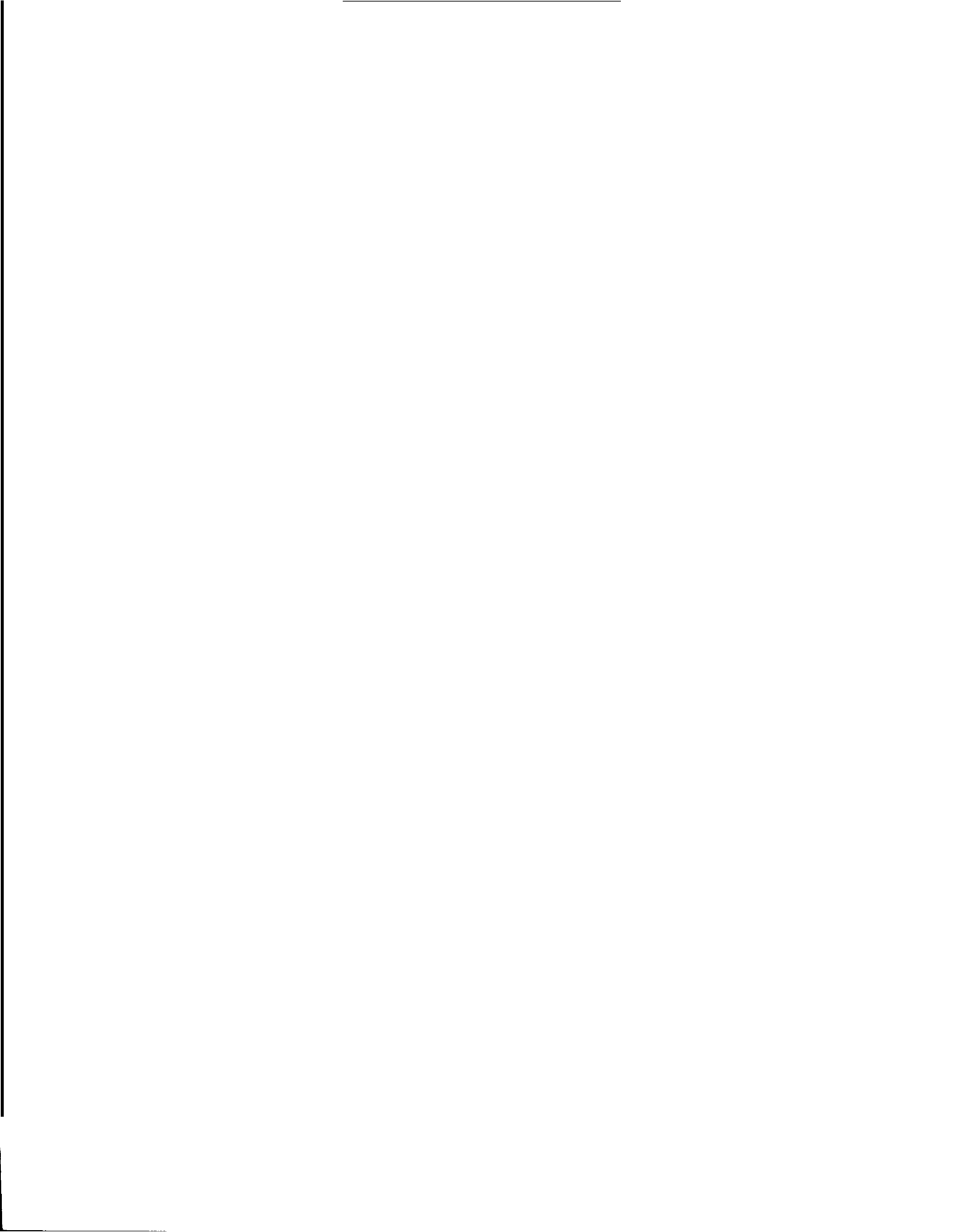
OPERATOR'S MANUAL

BAGGER CART MODEL BC4050



©American Honda Motor Co., Inc.
All Rights Reserved

POP50632-51210 (9907)

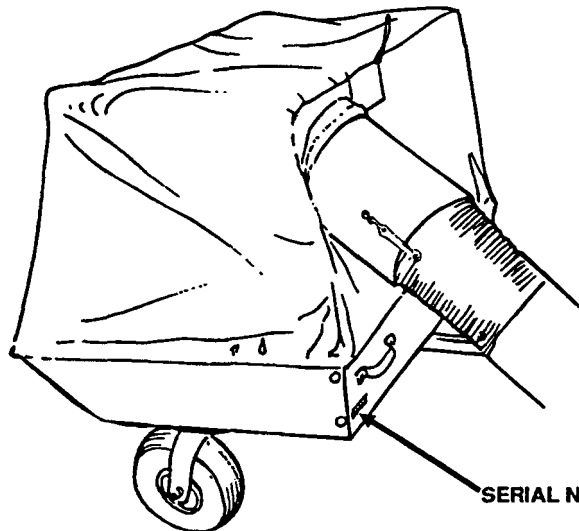


BC4050 BAGGER CART

HONDA TRACTOR APPLICATIONS	
TRACTOR/MOWER DECK COMBINATION	ADDITIONAL ITEMS REQUIRED FOR BAGGER CART ATTACHMENT
HT3810 HT3813	Lower Chute: H/C 2377786 Bolt: H/C 2377836 (Qty. 2) Washer: H/C 3336112 (Qty. 2)
H4013 H4514/CD4538 H4518/CD4538C	Lower Chute: H/C 3477536 Lower Chute Pin: H/C 3477601
H4514/CD4542 H4518/CD4542C	BK4542 Blower Kit
H4518/CD4546C	BK4546 Blower Kit

This operator's manual is considered a permanent part of the bagger cart and should remain with the bagger cart if resold.

The information and specifications included in this publication were in effect at the time of approval for printing. American Honda Motor Co., Inc. reserves the right, however, to discontinue or change specifications or design at any time without notice and without incurring any obligation whatever.



SERIAL NUMBER LOCATION


Record the frame serial number for your future reference. Refer to the model number and frame serial number when ordering parts, and when making technical or warranty inquiries (see page 21)

Model number: **BC4050**

Frame serial number: **BC1** - _____

Safety Messages

Your safety and the safety of others are very important. We have provided important safety messages in this manual. Please read these messages carefully.

A safety message alerts you to potential hazards that could hurt you or others. Each safety message is preceded by a safety alert symbol  and one of three words: DANGER, WARNING, or CAUTION.

These mean:



You **WILL** be KILLED or SERIOUSLY HURT if you don't follow instructions.



You **CAN** be KILLED or SERIOUSLY HURT if you don't follow instructions.



You **CAN** be HURT if you don't follow instructions.

Each message tells you what the hazard is, what can happen, and what you can **do** to avoid or reduce injury.

Damage Prevention Messages

You will also see other important messages that are preceded by the word NOTICE.

This word means:



Your bagger cart or other property can be damaged **if** you don't follow instructions.

The purpose of these messages is to help prevent damage to your bagger cart, other property, or the environment.

CONTENTS

ASSEMBLY _____ 1

Assembly and hook-up information.

OPERATION _____ 9

*How to haul and dump grass safely. How to hook **up** and remove your bagger cart.
How to convert the cart for hauling other loads.*

- Safety **9**
- Connecting and Disconnecting the Cart **10**
- Unloading the Cart **11**
- Removing the Cover Assembly to **Haul** Other Loads **14**

MAINTENANCE _____ 15

How to perform routine inspection and service to keep your bagger cart in good operating condition.

- Cover Assembly **15**
- Tires **15**
- Wheels. **15**

SPECIFICATIONS _____ 17

Dimensions, capacities, and other technical information.

PARTS LIST _____ 19

Illustrations and descriptions for identifying any replacement parts you may need.

CUSTOMER SERVICE INFORMATION _____ 21

*How to contact **us** if you have **a** question **or** **a** warranty problem.*

ASSEMBLY

1. Remove all parts from the box. There are three bags containing fasteners for the cart assembly, the hitch plate installation and the discharge chute assembly. **To** facilitate assembly, **sort** the fasteners into groups for the appropriate assembly stages. Refer to the PARTS LIST on pages 18 - 20 for part identification.

Components

Box	Frame	U-Bracket	Latch Handle
Support Tube	Support Rod	Frame Rod	Straight Rod
Swivel Wheel (2)	Vinyl Cover	Hitch Bracket	Dump Cloth
Dump Cloth Rod	Connecting Sleeve, 9 x 20"	Flex Hose, 8 1/2 x 30"	Middle Chute

Cart Assembly Hardware Bag (Steps 1 - 16)

Hex Bolt, 5/16 x 1 1/2" (4)	Spacer, 5/16" (2)	Flatwasher, 5/16" (9)	Locknut, 5/16 (4)
Cotter Circle, 1 1/8" (4)	Rubber Strap, 6"	Hex Bolt, 5/16 x 3/4"	Spring Washer, 5/16" (2)
Locknut (nylon insert), 5/16"	Pan Head Screw, 5/16 x 3/4" (3)	Lockwasher, 5/16" (3)	Hex Nut, 5/16" (3)
Pan Head Screw, 1/4 x 1/4" (6)	Lockwasher, 1/4"	Hex nut. 1/4"	Hex Bolt, 1/2 x 1 1/4" (2)
Locknut, 1/2" (2)	Hex Bolt, 3/8 x 1" (8)	Flatwasher, 3/8" (10)	Locknut, 3/8"
sleeve Clamp (2)	Locknut (nylon insert), 1/4" (2)		

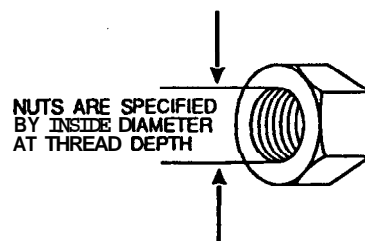
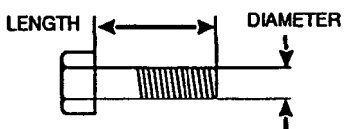
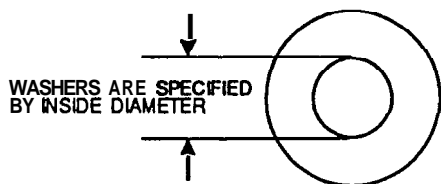
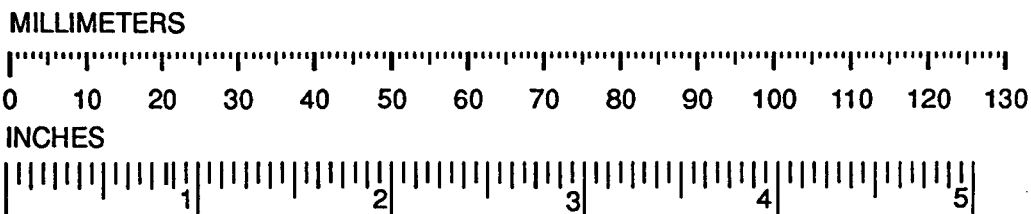
Hitch Bracket Assembly Hardware Bag (Steps 17 - 18)

Clevis Pin, 1/2 x 1 1/4" (2)	Safety Clip (2)	Hex Bolt, 8 x 20 mm(4)	Lockwasher, 8 mm (4)
Hex Bolt. 1/2 x 1"	Lockwasher. 1/2"	Hex Nut. 1/2"	

Chute Assembly Hardware Bag (Steps 19 - 23)

S-Hook (3)	Rubber Strap 9 (1 hook), 6" (3)	Pan Head Screw, 5/16 x 3/4"	Pan head Screw, 5/16 x 1" (3)
Slotted Truss Head Screw, 5/16 x 3/4" (2)	Locknut, 5/16"	Flatwasher, 5/16" (6)	Fender Washer, 5/16 x 1 1/4 (2)

FASTENER MEASUREMENT



NUT AND BOLT DIAMETER	TORQUE VALUES		
	ft-lb	kg-m	Nm
8 mm Bolts	15	2.1	21
1/4 inch nuts and bolts	7	1.0	10
5/16 nuts and bolts	14	1.9	19
3/8 inch nuts and bolts	25	3.5	34
1/2 inch nuts and bolts	60	8.3	81

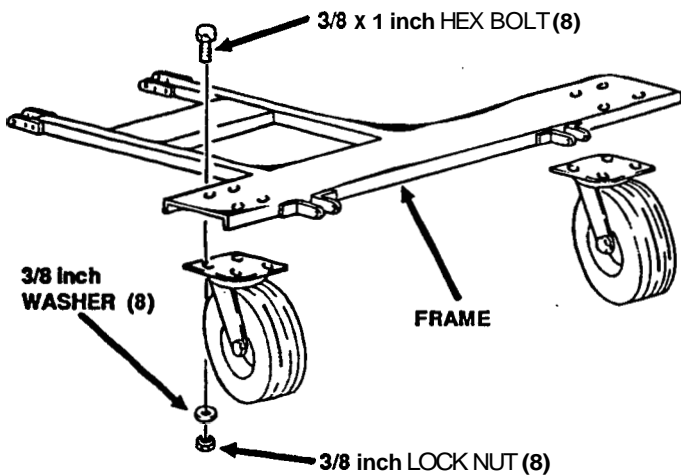
Cart Assembly

2. Install the wheel assemblies on the frame, using eight 3/8x 1 inch hex bolts, eight 3/8inch flat washers, and eight 3/8inch lock nuts.

Tighten the nuts and bolts securely.

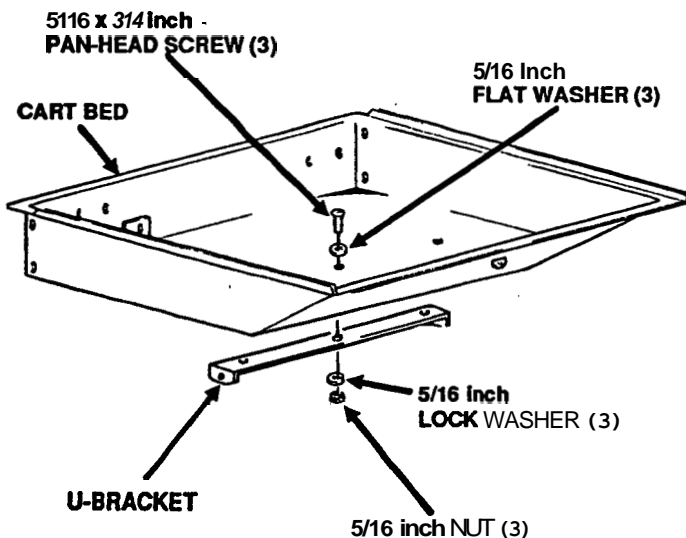
Lubricate the wheels with multi-purpose grease. Grease fittings are located at the axles and at the swivel pivots.

Inflate the tires to 30 psi (207kPa).



3. Install the U-bracket on the cart bed, using three 5/16 x 3/4 inch pan-head screws, three 5/16 inch flat washers, three 5/16 inch lock washers, and three 5/16 inch nuts.

Tighten the nuts and Screws securely.



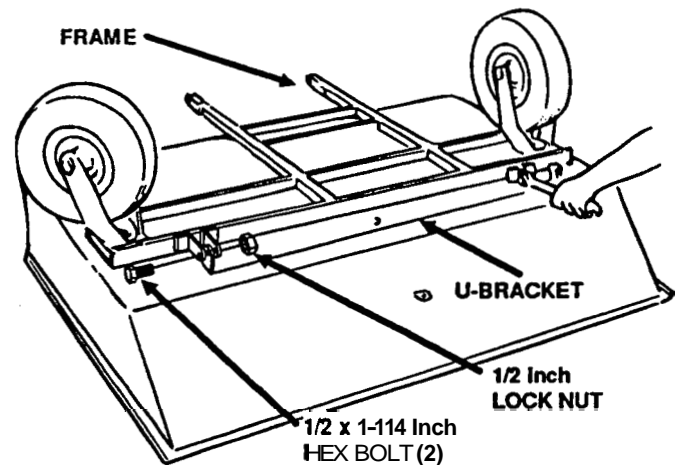
4. Turn the cart bed upside down. Install the frame on the U-bracket, using two 1/2x 1-1/4 inch hex bolts and two 1/2 inch lock nuts.

Tighten the nuts and bolts securely.

NOTICE

Overtightening the nuts and bolts will bend the frame brackets in which the U-bracket pivots.

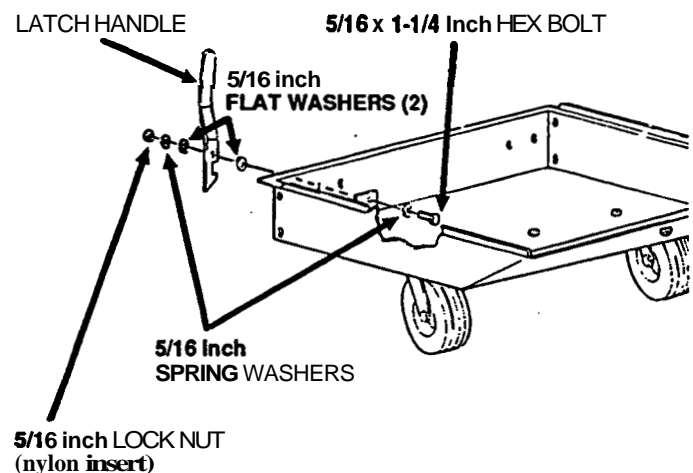
- 5.



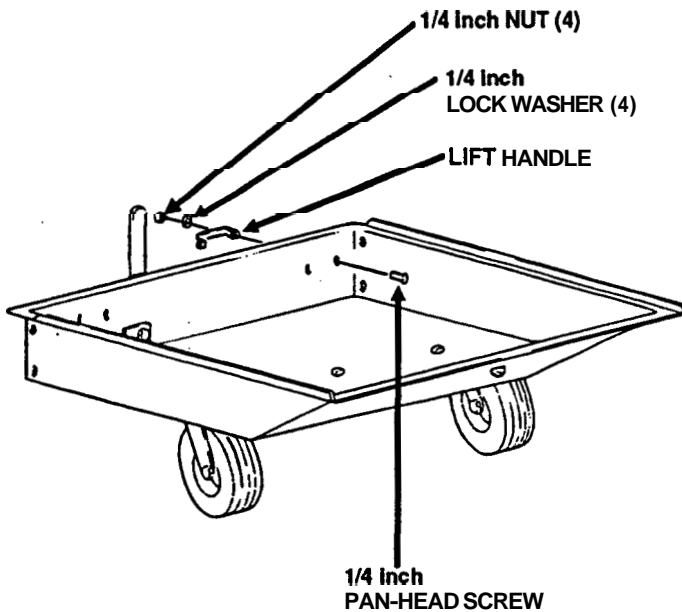
Turn the cart bed right side up. Install the latch handle, using one 5/16 x 1-1/4 inch hex bolt, two 5/16 inch spring washers, two 5/16 inch flat washers, and one 5/16 inch lock nut with nylon insert.

When installing the hardware, position the spring washers so the concave sides face toward the cart box, and the convex, serrated sides face away from the cart box.

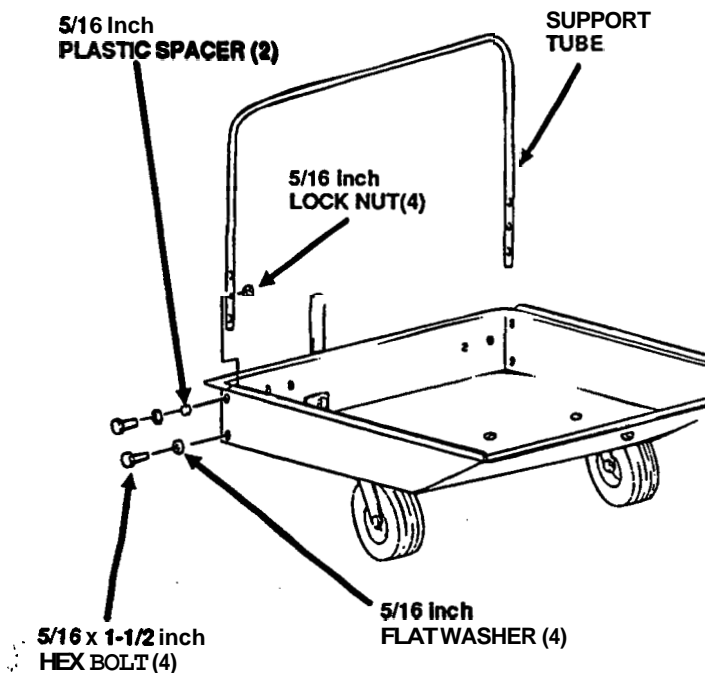
Tighten the nut and bolt to apply enough pressure that the latch handle will stay in any position you move it to.



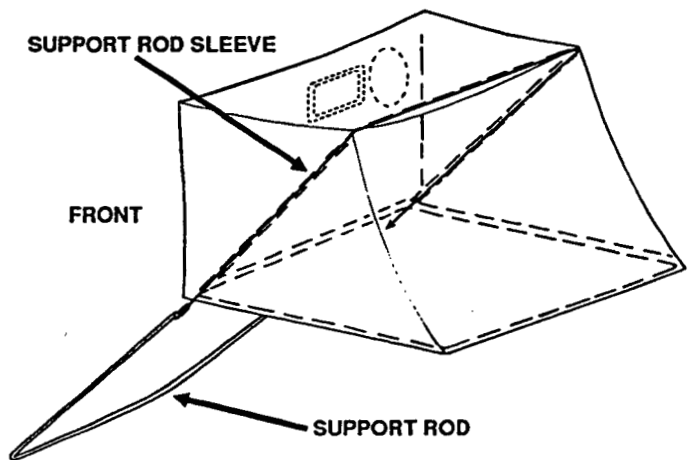
6. Install the lift handles, using four 1/4 x 1/2 inch pan-head screws, four 1/4 inch lock washers, and four 1/4 inch nuts. Tighten the nuts and screws securely.



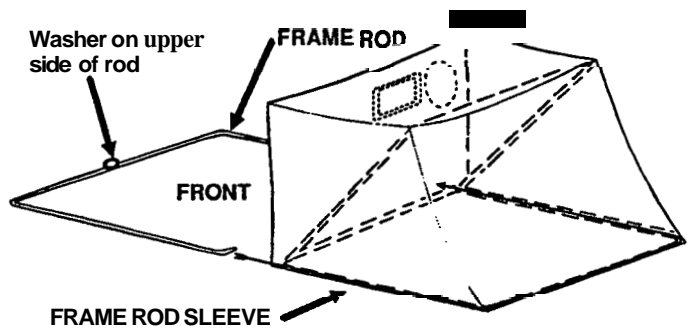
7. Install the support tube, using four 5/16 x 1-1/2 inch hex bolts, two 5/16 inch plastic spacers, and four 5/16 inch lock nuts. Place the plastic spacers only on the upper bolts, as shown. Tighten the nuts and bolts securely.



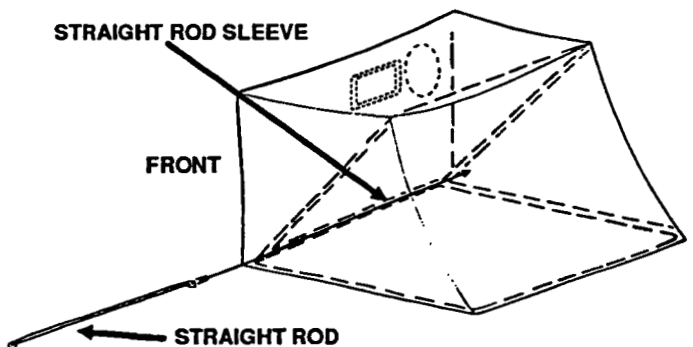
8. Thread the three rods through the cover:
 a.) Thread the support rod through the support rod sleeve as shown.



- b.) Thread the frame rod through the frame rod sleeve as shown. Be sure to position the frame rod so the washer is on the upper side.

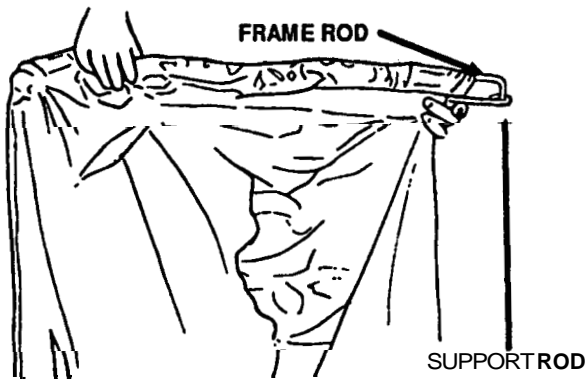


- c.) Thread the straight rod through the straight rod sleeve as shown.



ASSEMBLY

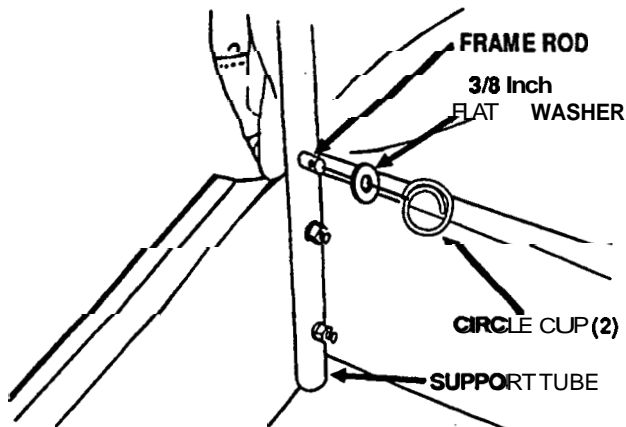
9. Hook the ends of the frame rod through the eyes in the ends of the support rod.



10. Place the cover assembly over the cart support tube. Be sure the latch handle is outside the cover.

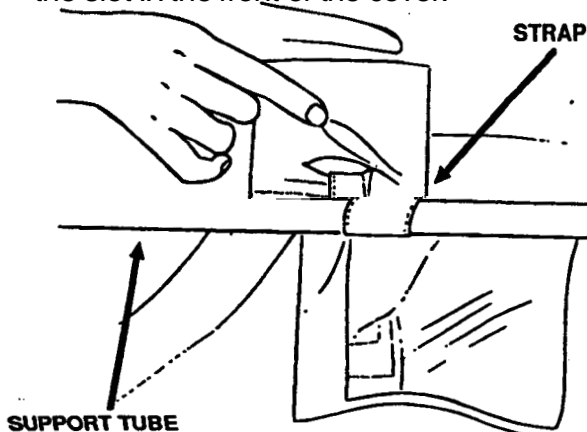
Insert the ends of the cover frame rod through the holes in cart support tube.

Secure each end of the frame rod with a 3/8 inch flat washer and circle clip.



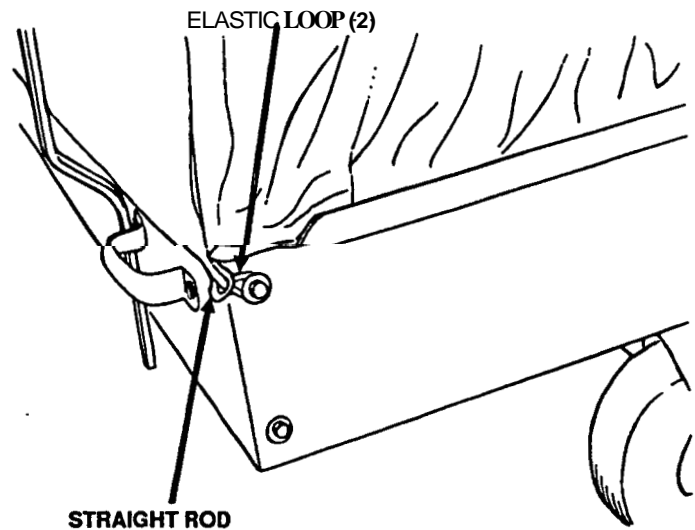
11. Attach the cover to the top of the support tube, using the strap that is located next to the plastic window.

Pull the strap over the top of the support tube, around under the support tube, then through the slot in the front of the cover.



BC4050 BAGGER CART

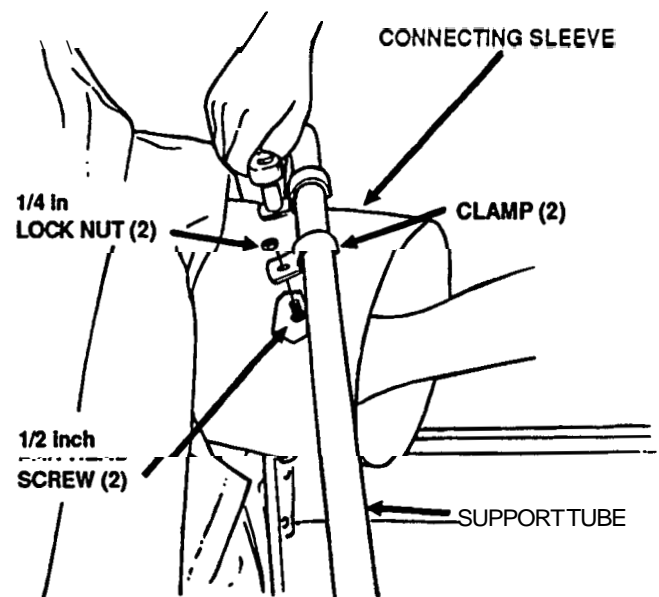
12. Attach the cover to the front corners of the cart by pulling the elastic loops through the eyes of the straight rod and hooking the loops over the cart bolts, as shown.



13. Insert the connecting sleeve through the opening in the front of the cover, and align the two mounting holes with the support tube.

Attach the connecting sleeve to the support tube, using two 1/4 x 1/2 inch pan-head screws, two clamps, and two 1/4 inch lock nuts.

Insert the screws from inside the connecting sleeve. Install the nuts over the clamps. Tighten the nuts securely.

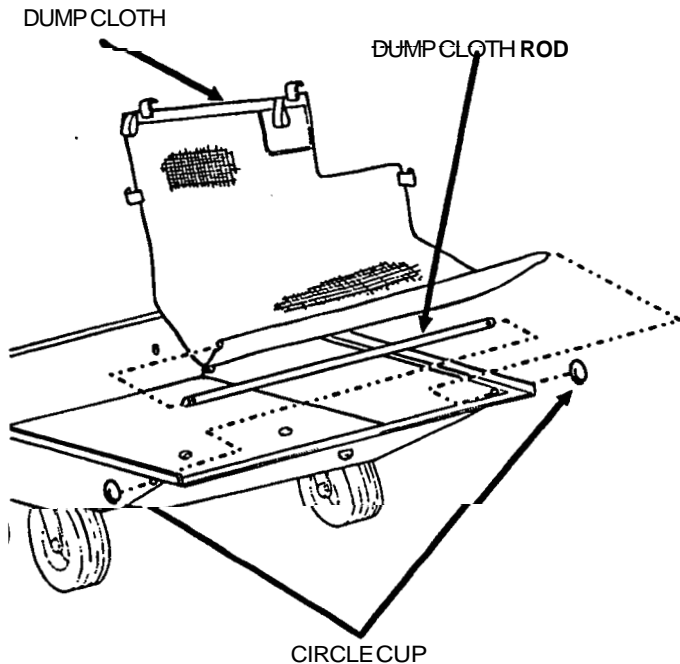


14. Thread the dump cloth rod through the sleeve in the rear edge of the dump cloth.

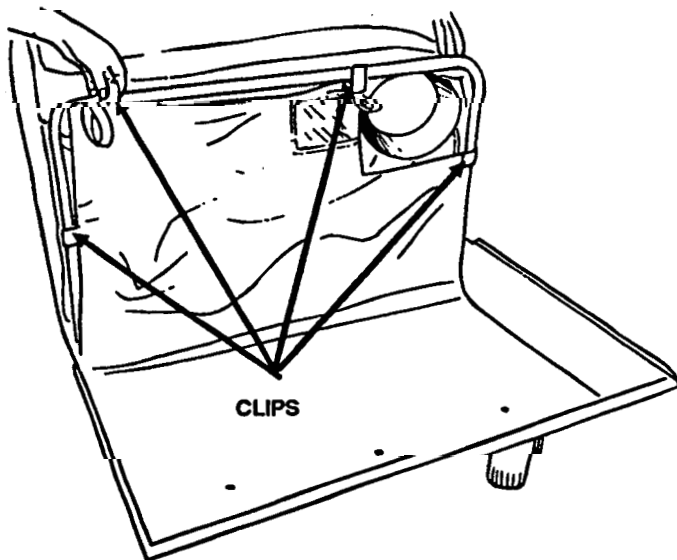
Position the dump cloth with the connecting sleeve cut-out at the right side of the cart.

Insert the ends of the rod through the holes in the rear corners of the **cat**

Secure each end of the rod by installing a circle clip outside the cart bed.



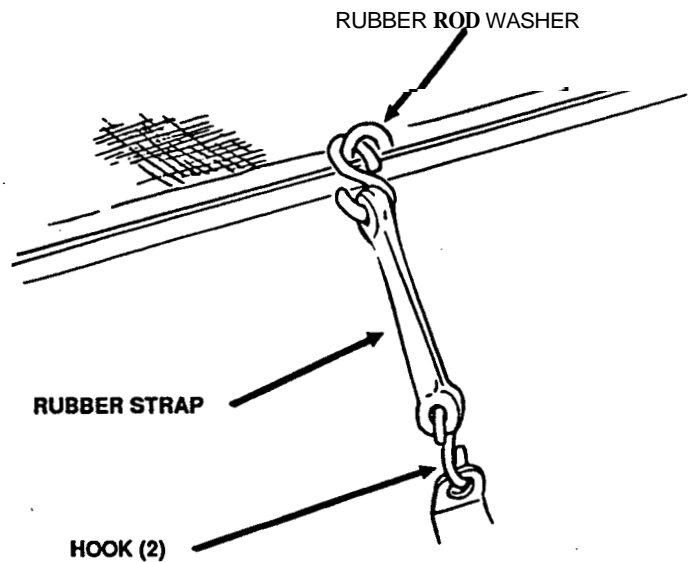
15. Spread out the dump cloth in the cart box, and hook the four plastic clips onto the support tube.



16. Install a rubber strap and hooks on the washer at the center of the cover frame rod. The open end of the lower hook must face the cart bed.

Secure the upper hook to the frame rod by closing the hook loop with pliers.

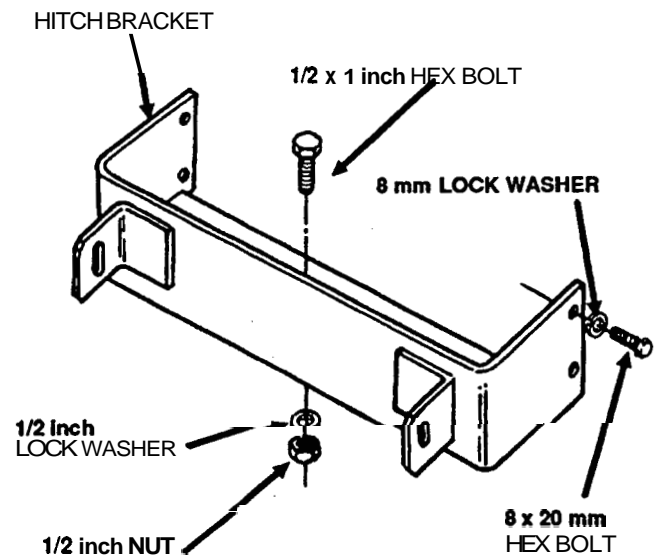
To hold the cover closed, hook the lower end to the cart bed as shown.



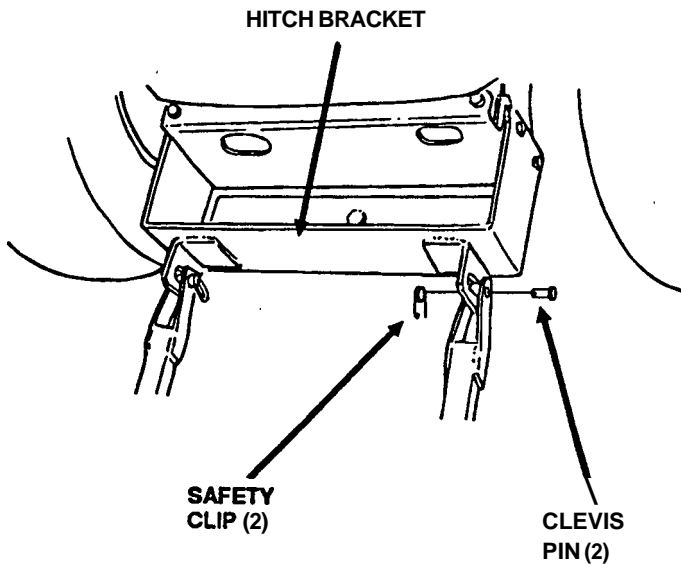
Hitch Assembly

17. Install the hitch bracket on the rear of the tractor, using one 1/2 x 1 inch hex bolt, one 1/2 inch lock washer, one 1/2 inch nut, four 8 x 20 mm hex bolts and four 8 mm lock washers.

Tighten the nuts and bolts securely.



18. Connect the cart to the tractor, using two clevis pins and two safety clips, as shown.

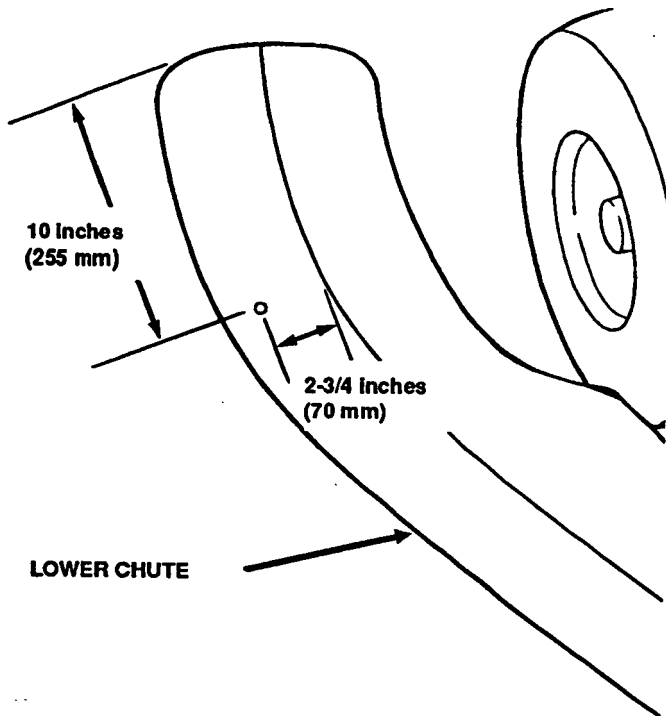


Chute Assembly

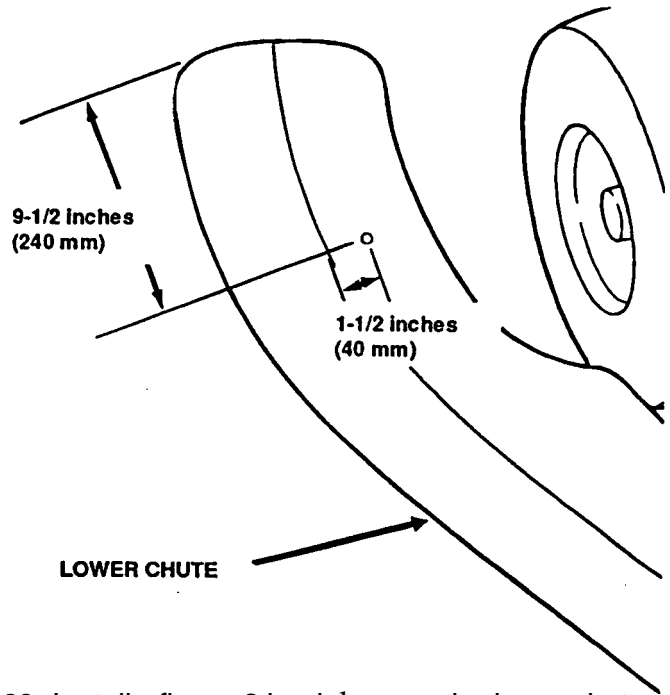
19. Drill an 11/32 inch (8.5 mm) hole in the lower chute, as shown.

LOWER CHUTE FOR 38" DECK:

Drill the hole at a point 10 inches (255 mm) from the end of the chute and 2-3/4 inches (70 mm) outside the seam line.



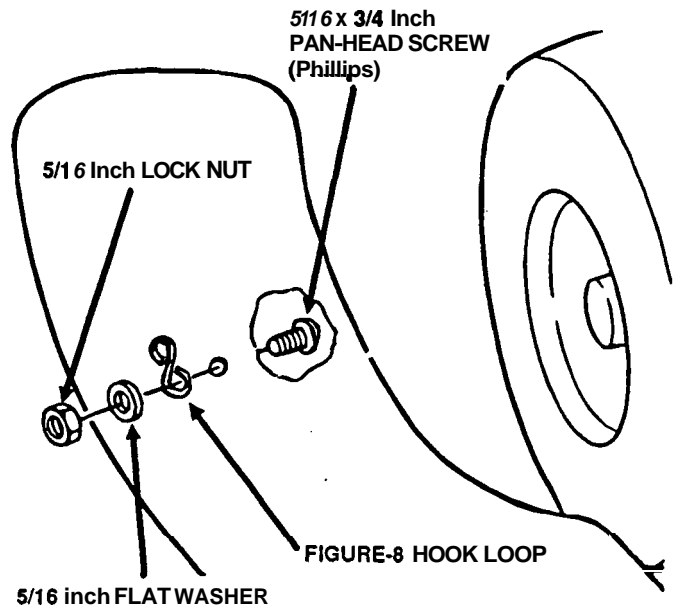
- LOWER CHUTE FOR 42" and 46" DECKS:**
Drill the hole at a point 9-1/2 inches (240 mm) from the end of the chute and 1-1/2 inches (40 mm) inside the seam line.



20. Install a figure-8 hook loop on the lower chute, using a 5/16 x 3/4 inch pan-head screw, 5/16 inch flat washer, and 5/16 inch lock nut.

Position the figure-8 hook loop so it faces the rear of the chute.

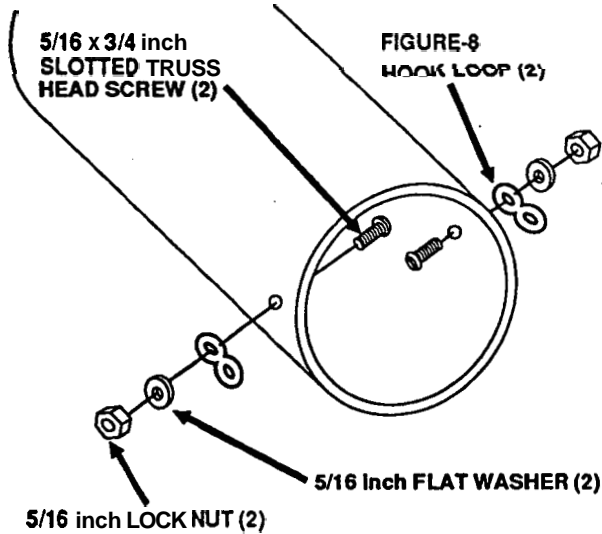
Tighten the nut securely.



21. Install two figure-8 hook loops on the connecting sleeve using two 5/16 x 3/4 inch slotted truss head screws (inserted from inside the connecting sleeve), two 5/16 inch flat washers and two 5/16 inch lock nuts.

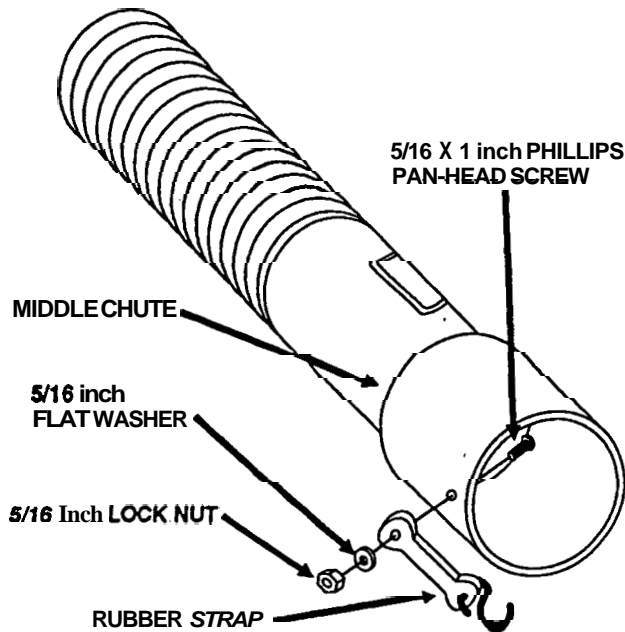
Position the figure-8 hook loops so they face the opening of the connector sleeve.

Tighten the nuts securely.

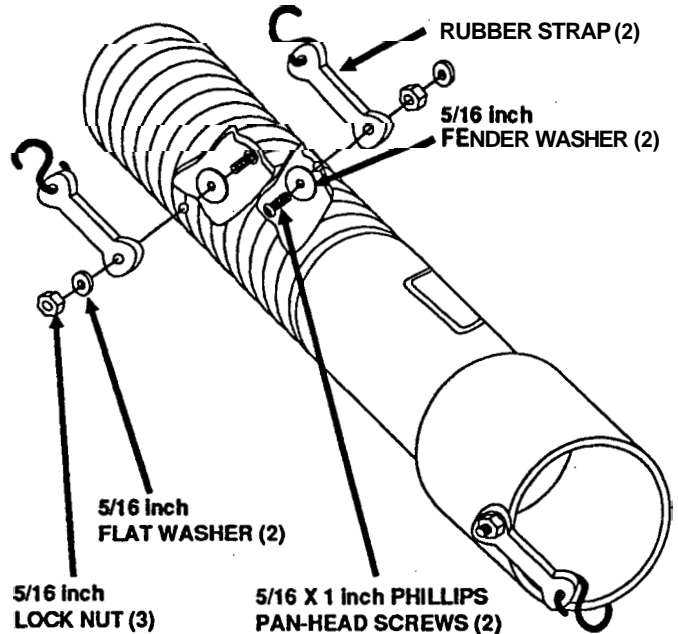


22. Attach three locking straps to the discharge chute assembly.

- a.) Attach one rubber strap to the middle chute by inserting a 5/16 x 1 inch pan-head screw (Phillips) from inside the chute. Thread the rubber strap onto the screw ("S" hook toward the flex hose). Secure with the 5/16 flat washer and the 5/16 lock nut.



- b.) Install two rubber straps on the flex hose by inserting two 5/16 x 1 inch pan-head screws (Phillips) with two 5/16 inch fender washers from inside the flex hose. Thread the rubber straps onto the screws ("S" hooks away from the flex hose). Secure with two 5/16 flat washers and the 5/16 lock nuts.

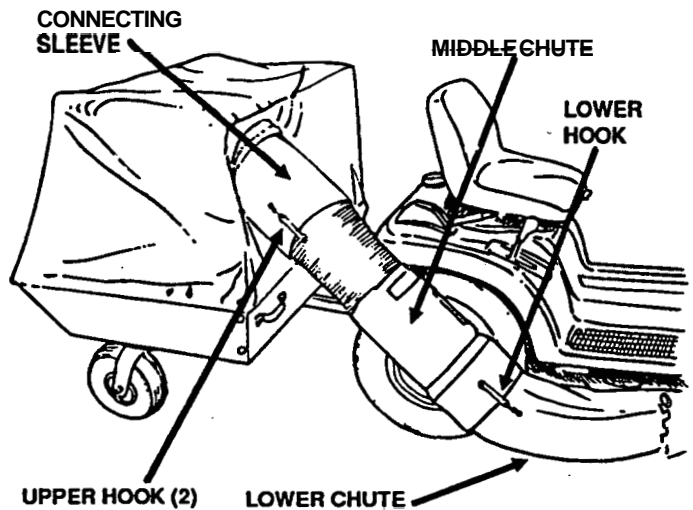


23. Install the middle chute assembly by inserting the flexible end into the connecting sleeve and placing the other end on the lower chute.

Position the middle chute assembly so the window faces the driver's seat.

Attach the two upper hooks to the hook loops on the connecting sleeve.

Attach the lower hook to the hook loop on the lower chute.



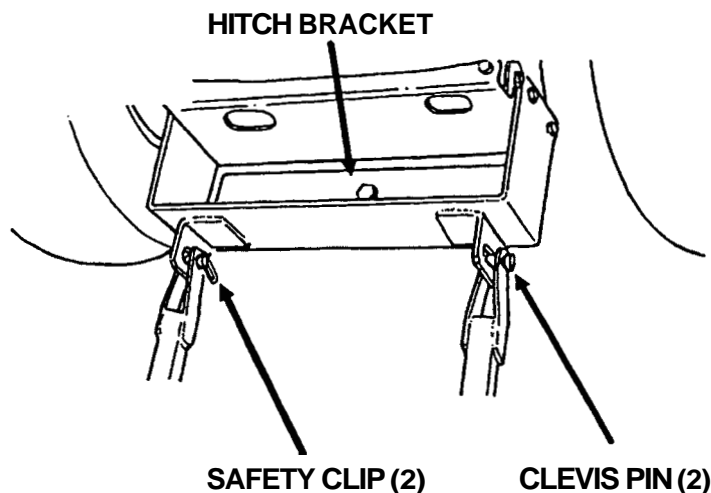
OPERATION**Safety**

- e Stop the tractor's engine, and set the parking brake, before connecting, disconnecting, or unloading the bagger cart.
- e Check the mounting bracket to be sure it is securely bolted to the tractor.
 - o Always secure the bagger cart to the tractor with **two** clevis pins and **two** safety clips.
- e Check the latch handle to be sure the cart bed is securely latched to the frame.
- Do not carry passengers in the cart.
- e When backing up, always look behind you to be sure the area is clear. Avoid backing up in **soft** ground; the wheels could become stuck, or the swivels may not turn, which could cause damage.
 - o Drive at reduced speed on uneven ground and when turning corners.
 - o Avoid making sharp **turns** when towing the bagger cart alongside buildings or objects.
- e **Go** up and down the face of slopes, not across them. Do not make sharp turns on slopes. Avoid steep slopes; do not tow the bagger cart on slopes steeper than **15°**.
 - o Reduce loads before towing the bagger cart on slopes. Begin mowing slopes with the bagger cart empty, and avoid filling it more than half full.
- e Be sure the cart cover is closed and the grass chute is connected before mowing. Stop the blades before opening the cart cover or removing the grass chute.
- e The cover material is subject to deterioration and wear under normal use. Check the cover frequently, and replace it if worn, deteriorated, **or** damaged. To ensure durability, any replacement cover must state that it complies with ANSI Standard B71 - **I** - .
- e Never use the bagger cart to carry loads in excess of **400** pounds (**181** kilograms).
- Be sure that any cargo **is** properly secured in the cart bed. Cargo should not extend more than **48** inches above the ground.

CONNECTING AND DISCONNECTING THE CART

Connection

1. Stop the engine, and set the parking brake.
2. Connect the bagger cart to the tractor, using two clevis pins and two safety clips, as shown.

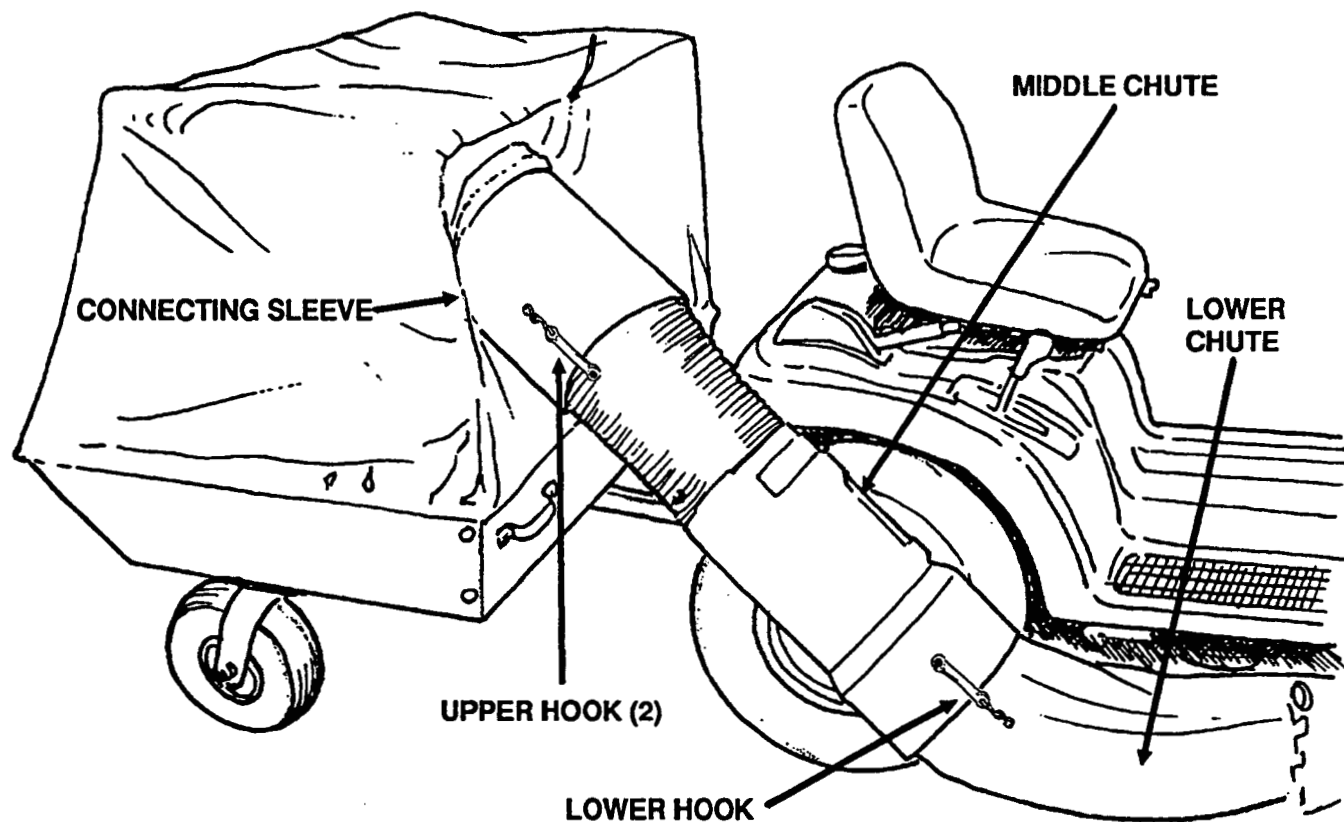


3. Install the middle chute assembly by inserting the flexible end into the connecting sleeve and placing the other end on the lower chute.

Position the middle chute assembly so the window faces the driver's seat.

Attach the two upper hooks to the hook loops on the connecting sleeve.

Attach the lower hook to the hook loop on the lower chute.

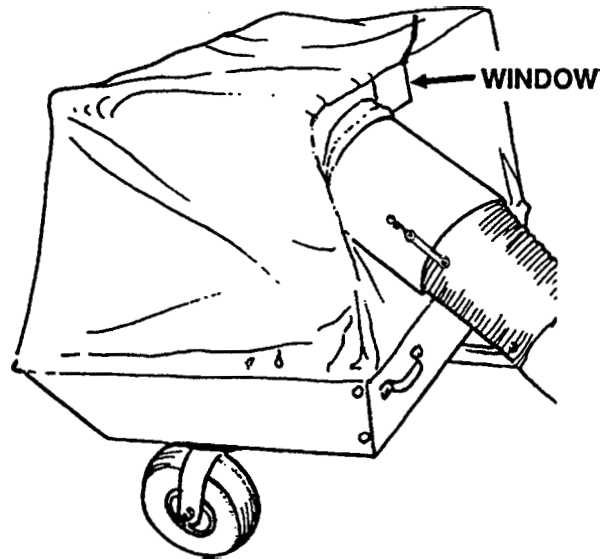


Disconnection

Disconnect the bagger cart from the tractor in the reverse order of connection.

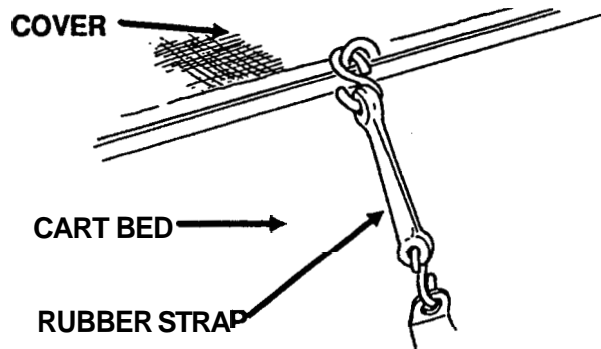
Unloading the Cart

You can check the grass load by looking through the window in the cover. The cart must be unloaded when grass builds up to the window. Overfilling will cause the chute to clog.

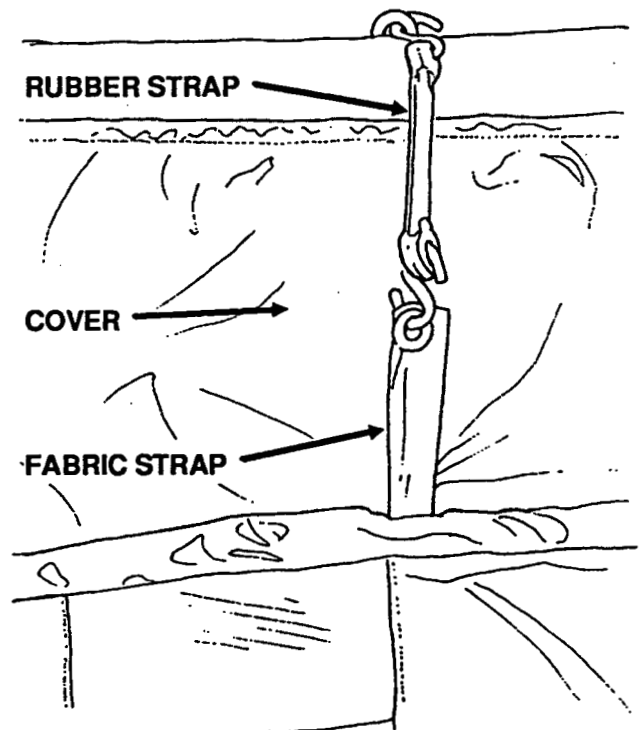


1. Back the tractor into position at the place where you are going to dump the grass. Stop the tractor engine.

2. Unhook the rubber *strap* from the rear of the cart, and open the cover.



3. Pull the rubber *strap* over the open cover, and hook it through the grommet in the fabric strap next to the window. This will hold the cover open.

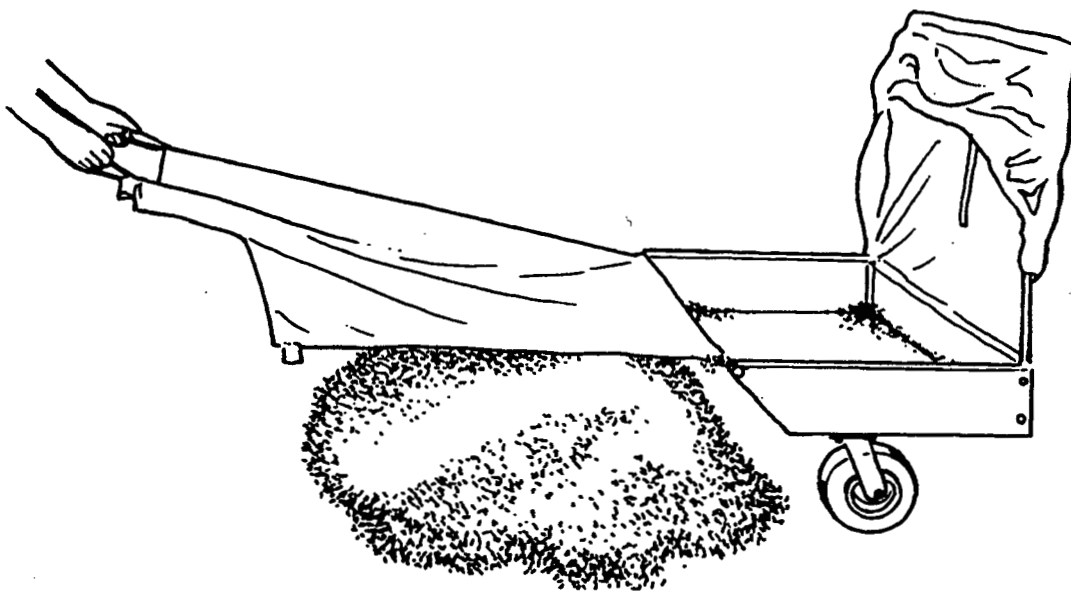
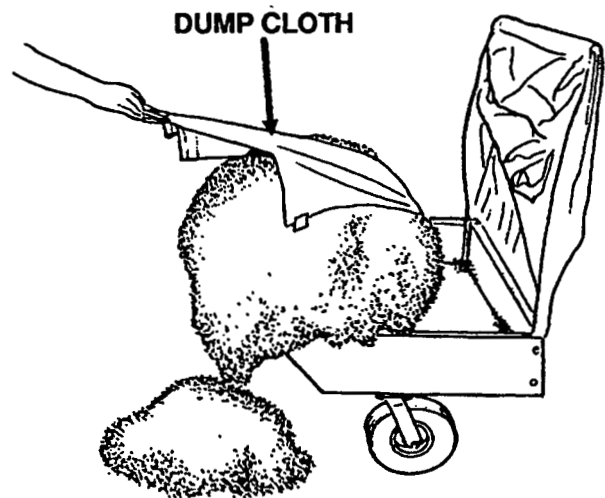
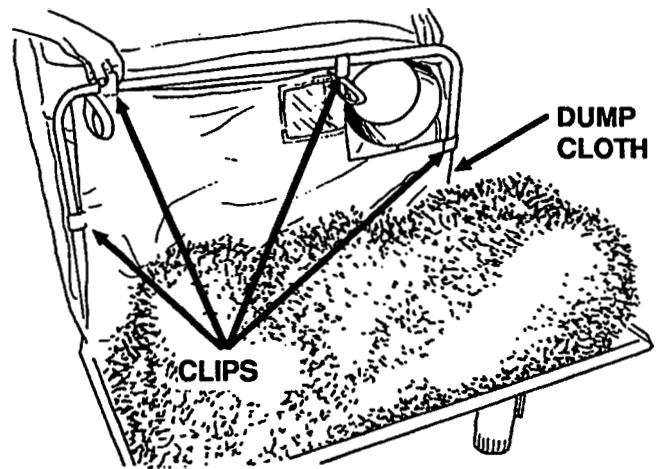


4. Dump the grass load, using the dump cloth (page 12) or by tipping the cart bed (page 13).

Using the Dump Cloth

The dump cloth provides a quick and easy way to dump grass loads without unhooking the chute, and unlatching and tipping the cart bed.

1. Unhook the four plastic clips from the support tube.
2. Pull out the dump cloth by the **two** fabric handles, rolling the grass load onto the ground.
3. Reinstall the dump cloth, and hook the four plastic clips onto the support **tube**.

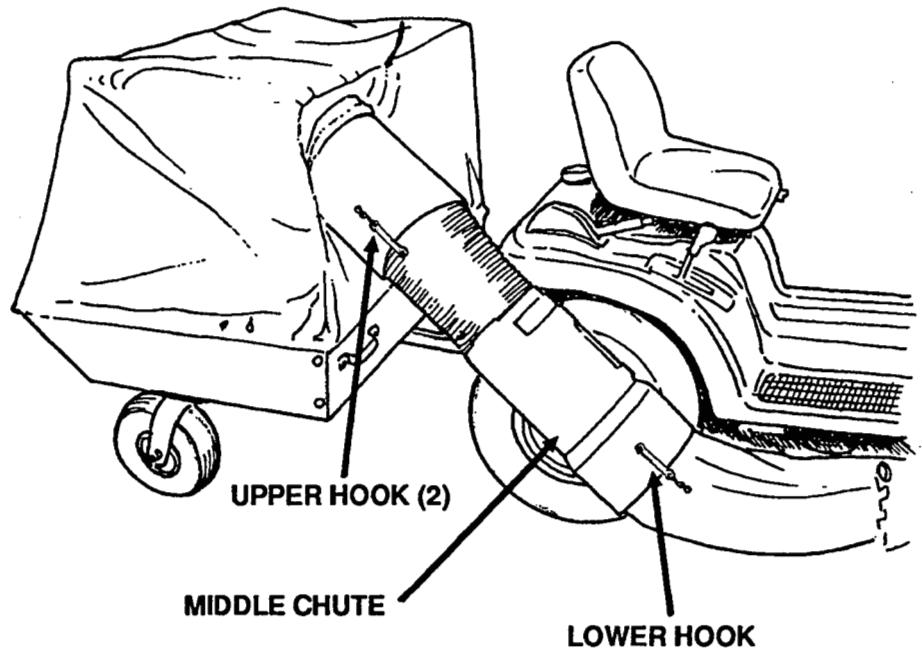


Tipping the Cart Bed

If you dump the grass load by tipping the cart bed, you won't need the dump cloth (page 12). You can remove the dump cloth, as described on page 14, step 6.

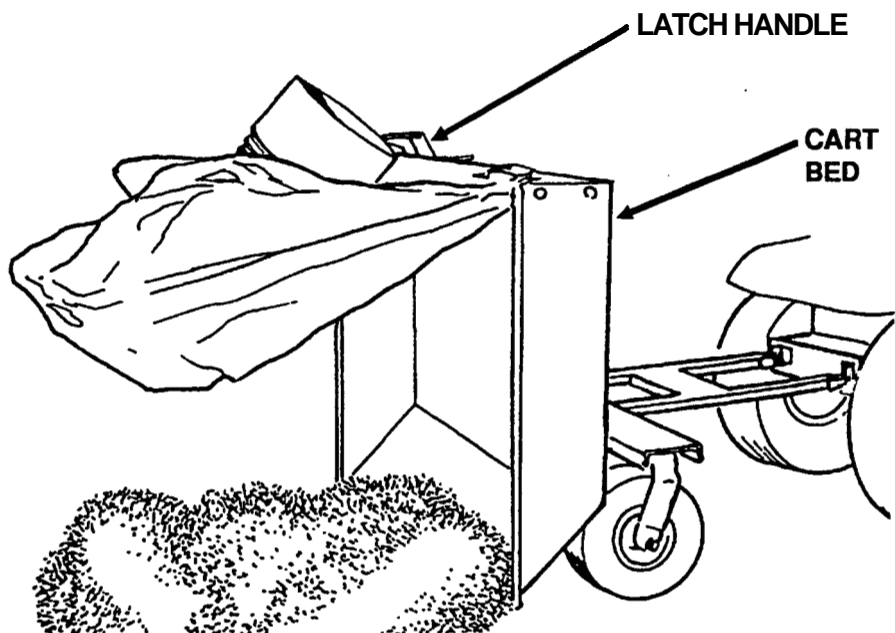
1. Unhook one end of the middle chute.

2. Move the latch handle down to unlock the cart bed.



3. Tip the cart bed to dump the grass load.

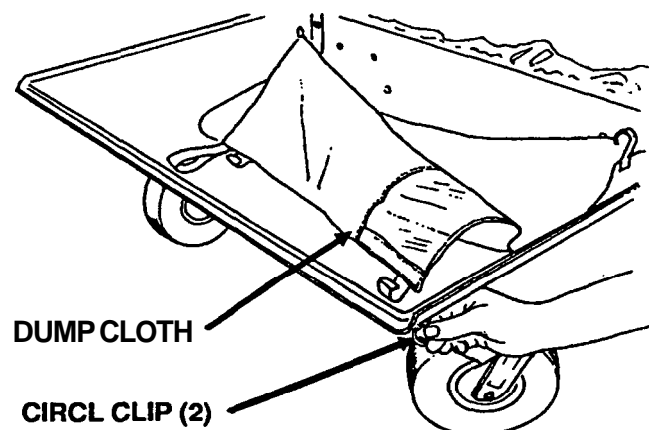
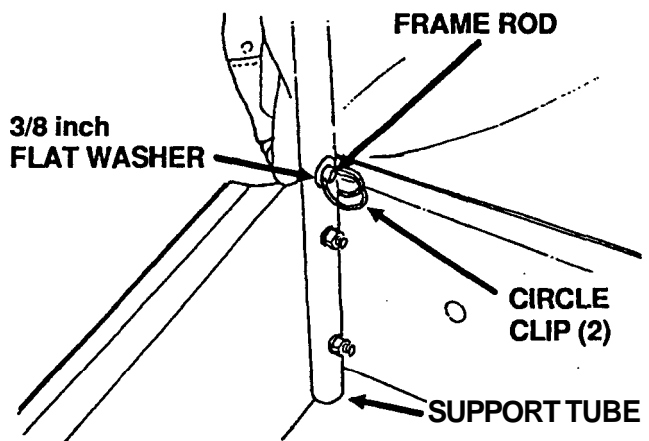
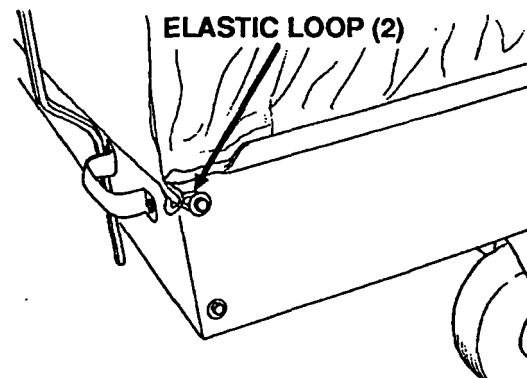
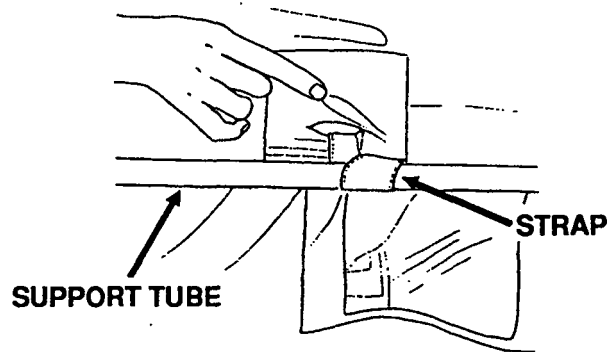
4. Return the cart bed to the horizontal position, hook up the middle chute, and move the latch handle up to lock the cart bed.



Removing the Cover Assembly to Haul Other Loads

If the cart will not be used for bagging grass, you can easily remove the cover and dump cloth to use the cart for hauling other loads. No tools are needed.

1. Unhook and remove the middle chute (see page 13).
2. Unhook the rubber strap from the rear of the cart, and open the cover.
3. Pull out the strap that attaches the cover to the top of the support tube.
4. Unhook the elastic loops from the bolts at the front corners of the frame bed.
5. Remove the circle clips and washers from the ends of the frame rod.
 Pull the frame rod out of the support tube, and remove the cover assembly.
 Put the washers and circle clips on the frame rod again, after removing the cover assembly. This will help to prevent losing the hardware.
6. Remove the circle clips from the dump cloth rod, then remove the rod from the frame bed, and remove the dump cloth assembly.
 Put the circle clips on the rod again, after removing the dump cloth, to prevent loss.



Installing the Cover Assembly

Install the dump cloth and cover assembly in the reverse order of removal.

MAINTENANCE**Cover Assembly**

- Check the condition of the cover before each use. The cover wears during normal use and will eventually require replacement.
- Check that the cover is not clogged with dirt and debris. The cover must be kept clean; good air flow through the cover fabric is essential for efficient grass bagging.

When the cover needs cleaning, wash it with a garden hose. Pull out the dump cloth, and wash it also. Allow the cover and dump cloth to dry completely before use; a wet cover will clog quickly.

- Always empty the cart before putting it away. If grass clippings are left in the cart for a long time, dampness will promote deterioration of the cover fabric.

Tires

- Check tire air pressure. Inflate the tires to 30 psi (207 kPa).

Wheels

- Lubricate the wheels occasionally with multi-purpose grease. Grease fittings are located at the axles and swivel pivots.

SPECIFICATIONS**Dimensions**

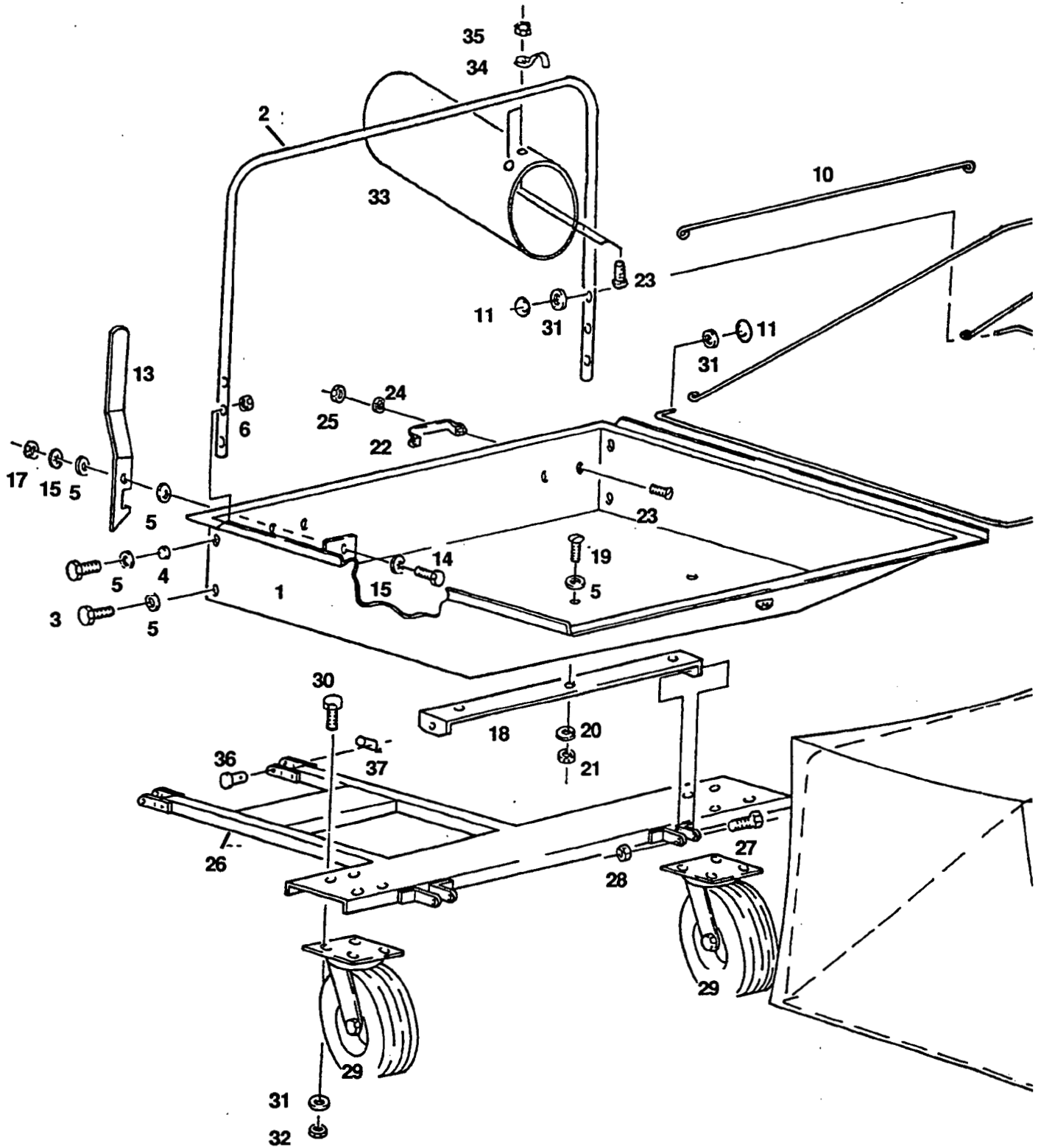
Overall Length	41 inches (1,041 mm)
Overall Width	46 inches (1,168 mm)
Overall Height: Cover opened	51 inches (1,295 mm)
Cover closed	41.5 inches (1,054 mm)
Cart only	20 inches (508 mm)
Cart Bed Interior Length: At top	31 inches (787 mm)
At bottom	24 inches (610 mm)
Cart Bed Interior Width	43.5 inches (1,105 mm)
Cart Bed Interior Height	7 inches (178 mm)

Capacities

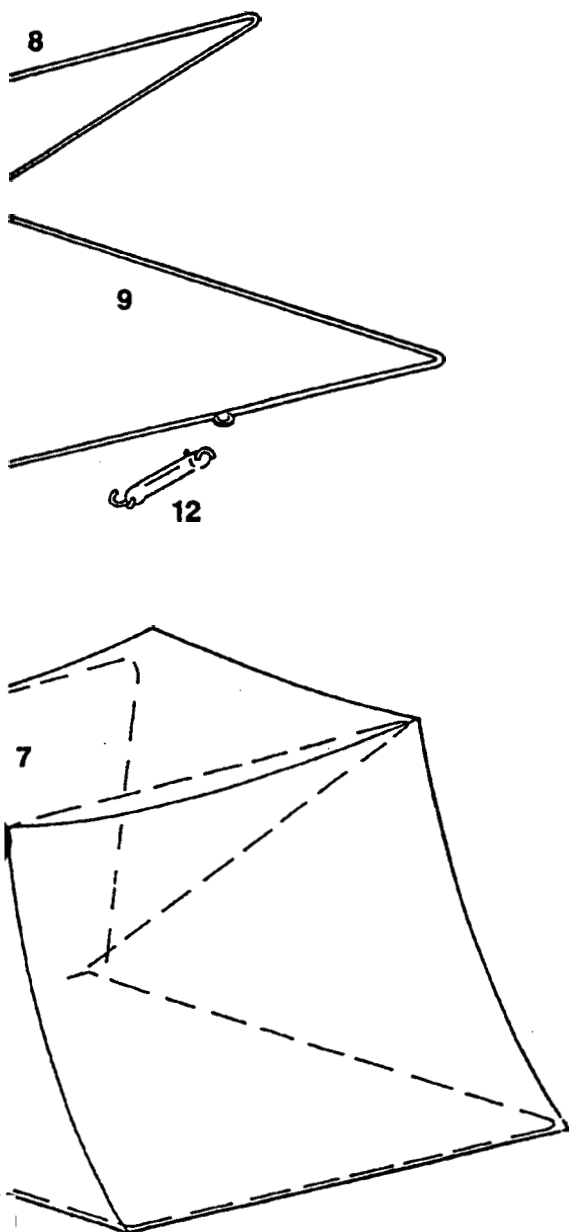
Cart Bed Interior Volume	4.8 cu ft (136 liters)
Maximum Cargo Load	400 lbs (181 Kilograms)
Grass Bagging Capacity	17 bushels (599 liters)

Tires

Size	4.10/3.50-4 (2 PR)
Maximum Inflation Pressure	30 psi (207 kPa)
Recommended Inflation Pressure	30 psi (207 kPa)



PARTS LIST



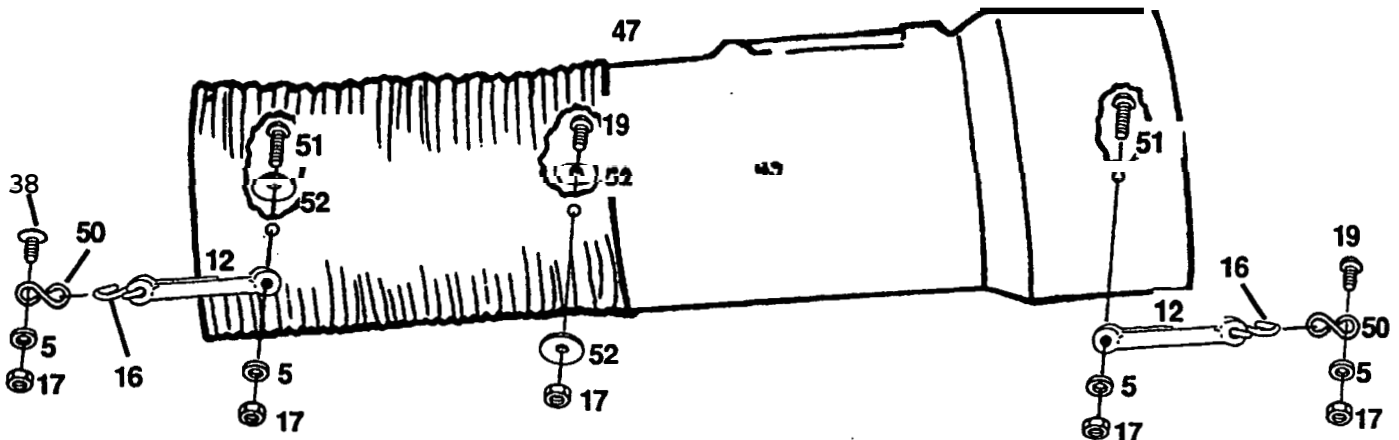
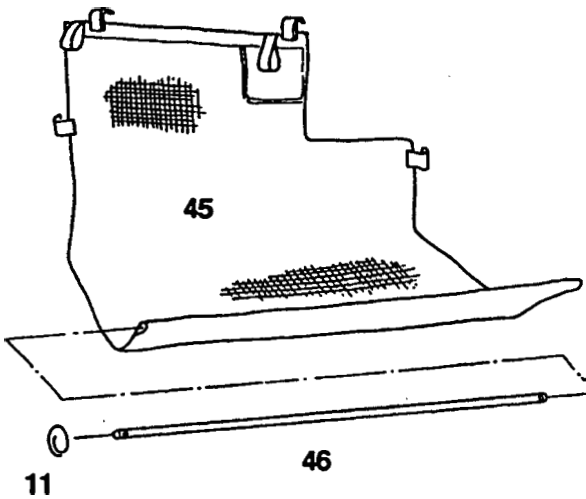
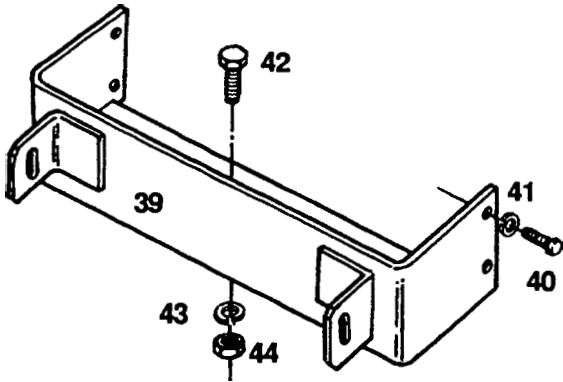
Ref. no.	Description	Qty.
1	Bed. Cart	1
2	Tube. Support	1
3	* Bolt. hex. 5/16-18 x 1-1/2 in	4
4	Spacer. plastic. 5/16 in	2
5	• Washer. flat. 5/16 in	15
6	• Nut. lock. 5/16-18 in	4
7	Cover	1
8	Rod. support	1
9	Rod. frame	1
10	Rod. straight	1
11	Clip. circle. 1-1/8 in	4
12	Strap. rubber (with 2 hooks)	1
13	Handle. latch	1
14	• Bolt. hex. 5/16-18 x 1-1/4 in	1
15	Washer, spring. 5/16 in	2
16	Strap, rubber (with 1 hook)	3
17	• Nut. nylon insert lock. 5/16-18 in	9
18	"U"-Bracket	1
19	* Screw, pan-head (Phillips), 5/16-18 x 3/4 in	6
20	• Washer. Lock. 5/16 in	3
21	• Nut. hex. 5/16-18 in	3
22	Handle. lift	2
23	• Screw. pan-head (Phillips). 1/4-20 x 1/2 in	6
24	• Washer. lock. 1/4 in	4
25	• Nut. hex. 1/4-20 in	4
26	Frame	1
27	• Bolt. hex. 1/2-13 x 1-1/4 in	2
28	• Nut, hex lock. 1/2-13 in	2
29	Wheel. swivel. 4.10/3.50-4 in	2
30	• Bolt, hex. 3/8-16 x 1 in	8
31	• Washer. flat SAE. 3/8 in	10
32	• Nut. hex lock, 3/8-16 in	8
33	Sleeve, conracting	1
34	Clamp, sleeve	2
35	• Nut. hex lock, 1/4-20 in	2
36	Pin. clevis, 1/2 x 1-1/4 in	2
37	Clip. safety	2

* Standard hardware: purchase locally.

PARTS LIST

Ref. no.	Description	Qty.
38	• Screw, truss-head, 5/16-18 x 3/4 in	2
39	Bracket, hitch	1
40	• Bolt, hex, 8 x 20 mm	4
41	• Washer, lock, 8 mm	4
42	• Bolt, hex, 1/2-13 x 1 in	1
43	• Washer, lock, 1/2 in	1
44	• Nut, hex, 1/2-13 in	1
45	Cloth, dump	1
46	Rod, dumpcloth	1
47	Assembly, middle chute & hose	1
48	Hose, flex'.	1
49	Chute, middle	1
50	Loop, hook(figure-8)	3
51	• Screw, pan-head (Phillips), 5/16-18 x 1 in	3
52	• Washer, fender, 5/16 in	6

• Standard hardware; purchase locally.



CUSTOMER SERVICE INFORMATION

Honda Power Equipment dealership personnel are trained professionals. They should be able to answer any question you may have. If you encounter a problem that your dealer does not solve to your satisfaction, please discuss it with the dealership's management. The Service Manager or General Manager can help. Almost all problems are solved in this way.

If you are dissatisfied with the decision made by the dealership's management, contact the Honda Power Equipment Customer Service Office. You can write to:

American Honda Motor **Co.**, Inc.
Honda Power Equipment Division
Customer Service Office
4475 River Green Parkway
Duluth, Georgia 30136-2565

Or telephone: **(404) 497-6400**

When you write or call, please give us this information:

- Model and serial numbers
- Name of the dealer who sold the bagger cart to you
- Name and address of the dealer who services your bagger cart
- Date of purchase
- Your name, address, and telephone number
- A detailed description of the problem

H/C 4285706