

**HONDA**

**Power**

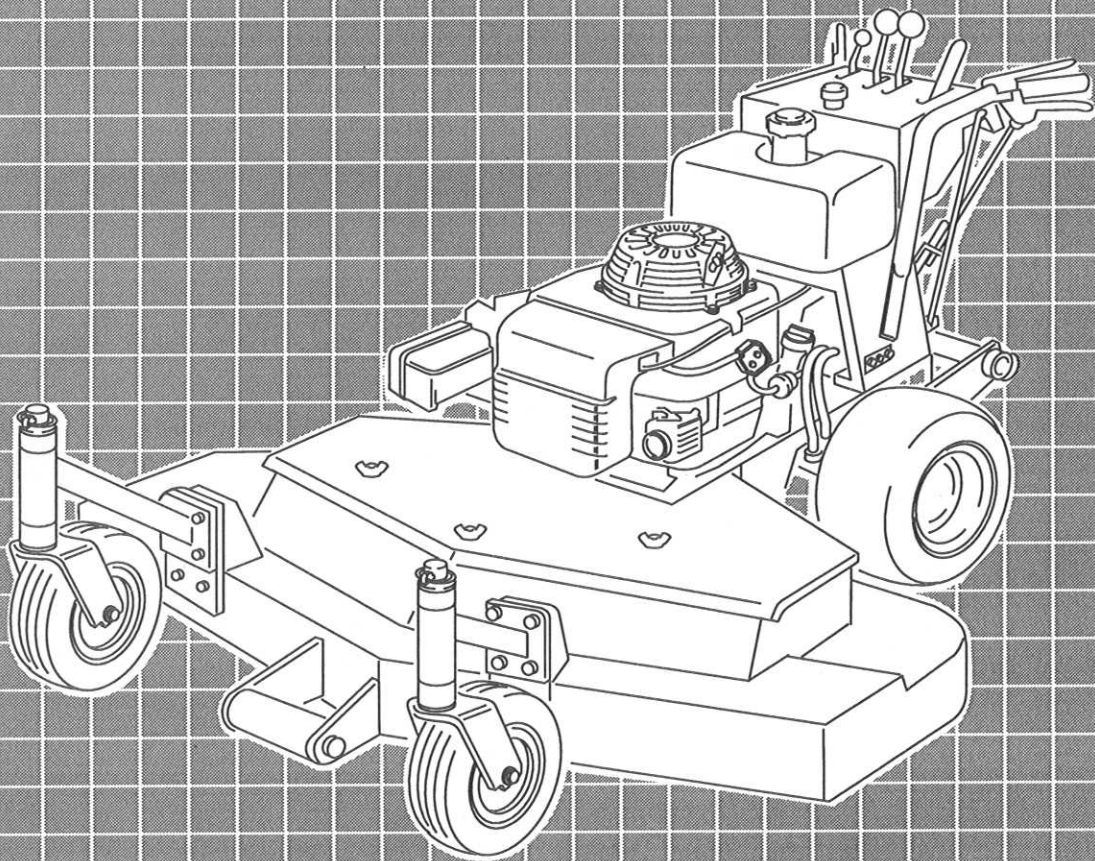
**Equipment**

# OPERATOR'S MANUAL

## Mulching Kit

### 52" & 60" Mower Decks

### Mid-Sized Commercial Mowers



## THE IMPORTANCE OF INSTALLATION

Proper installation is essential to operator safety and the reliability of the machine. Any error or oversight made by the technician assembling and servicing a unit can easily result in faulty operation, damage to the machine, or injury to the operator.

### WARNING

Improper service can cause an unsafe condition that can lead to serious injury or death.

Follow the procedures and precautions in installation instructions and shop manuals carefully.

Some of the most important safety precautions are given below. However, we cannot warn you of every conceivable hazard that can arise in performing this installation. Only you can decide whether or not you should perform a given task.

### WARNING

Failure to properly follow installation instructions and precautions can cause you to be seriously hurt or killed.

Follow the procedures and precautions in installation instructions carefully.

## IMPORTANT SAFETY PRECAUTIONS

Make sure you have a clear understanding of all basic shop safety practices and that you are wearing appropriate clothing and safety equipment. When performing this installation, be especially careful of the following:

- Read the instructions before you begin, and make sure you have the tools and skills required to perform the tasks safely.

Make sure the engine is off before you begin any maintenance or repairs. This will help eliminate several potential hazards:

- Carbon monoxide poisoning from engine exhaust. Be sure there is adequate ventilation whenever you run the engine.
- Burns from hot parts. Let the engine and exhaust system cool before touching.
- Injury from moving parts. Do not run the engine unless the instruction tells you to do so. Even then, keep your hands, fingers, and clothing away. Do not run the engine when any protective guard or shield is removed.

To reduce the possibility of a fire or explosion, be careful when working around gasoline or the batteries. Use only a nonflammable solvent, not gasoline, to clean parts. Keep all cigarettes, sparks, and flames away from the battery and all fuel-related parts.

## Installation Procedures

The information in this operator's manual is limited in application to the Honda mulching kits for Honda Mid-Sized Commercial Mowers with the CD7052 and CD7060 mower decks. Before installing or operating this equipment, read this manual and the owner's manual supplied with the mower.

All information in this publication is based on the latest product information available at the time of printing. American Honda Motor Co., Inc. reserves the right to make changes at any time without notice and without incurring any obligation. No part of this publication may be reproduced without written permission.

This manual is a permanent part of the mower and must stay with the mower if resold.

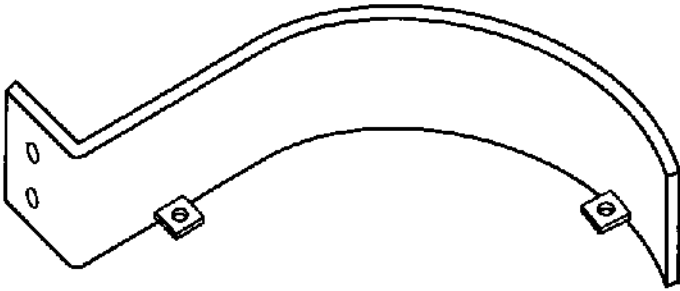
The installation of this kit requires precise drilling and should be performed by an authorized Honda Commercial Mower Dealer.

**FOLLOW THESE INSTRUCTIONS CAREFULLY.** Correct installation of this kit is essential for safe, reliable operation.

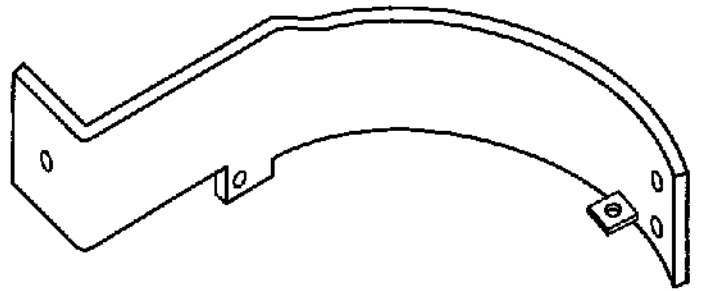
## Torque Values

Fastener Type	N•m	ft-lb
3/8" flange bolt & nut	42	31
Blade bolt & nut	88 - 102	65 - 75

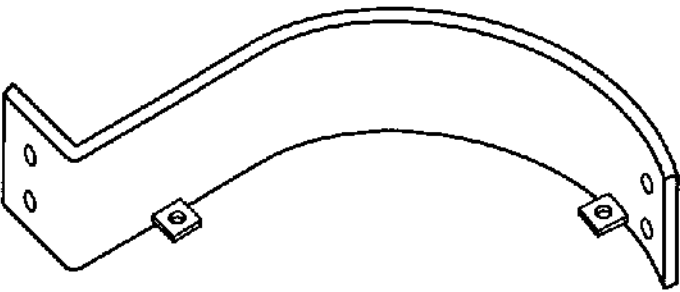
# Parts Inventory



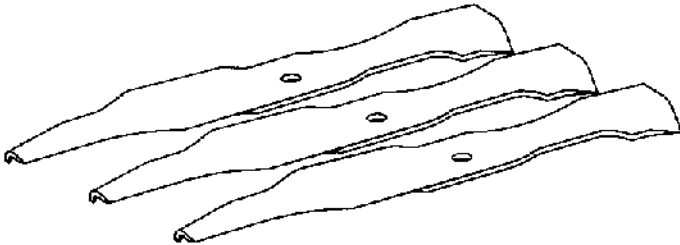
Swirl Guide A



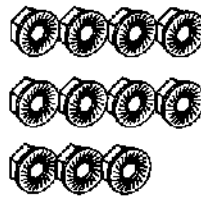
Swirl Guide C



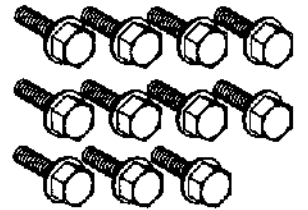
Swirl Guide B



Mulching Blades (3)



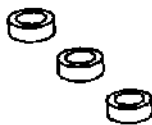
3/8" flange nuts (11)



3/8 x 3/4" flange bolts (11)



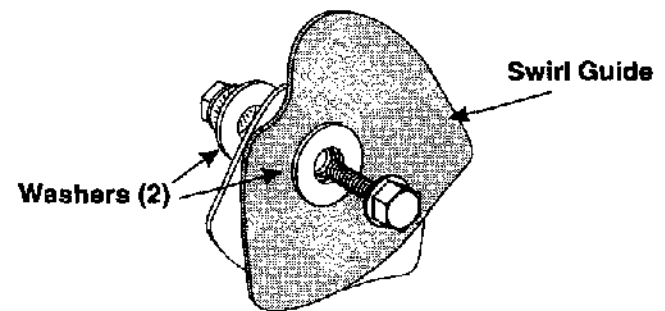
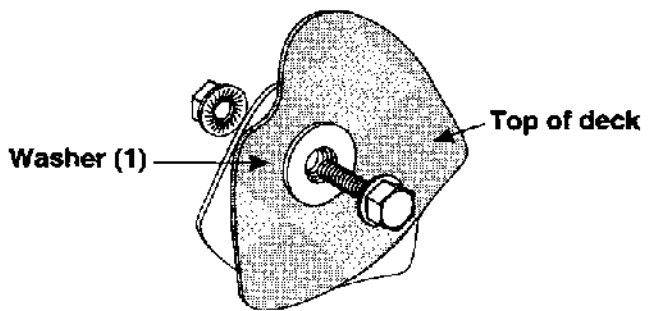
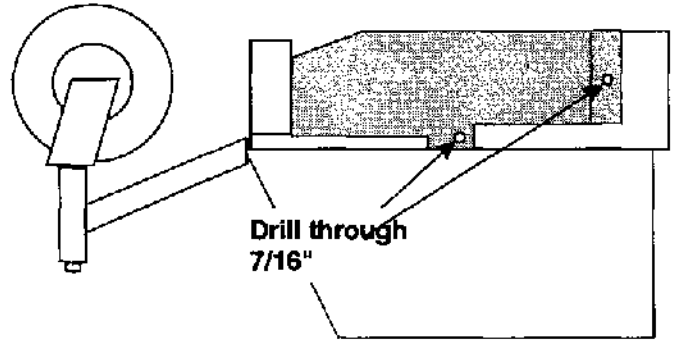
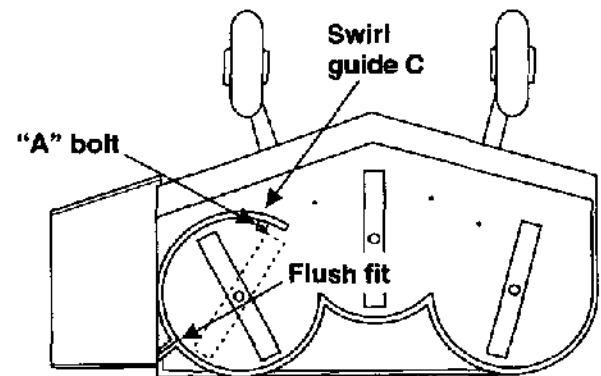
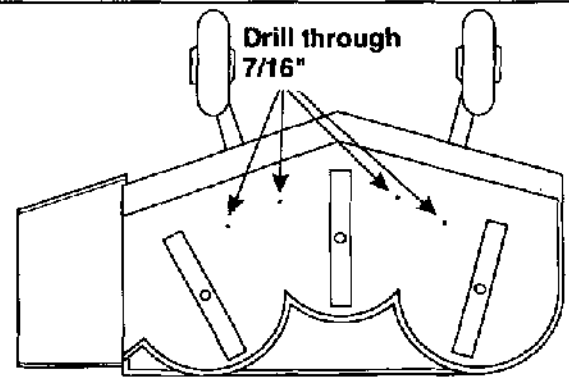
3/8" flat washers (16)



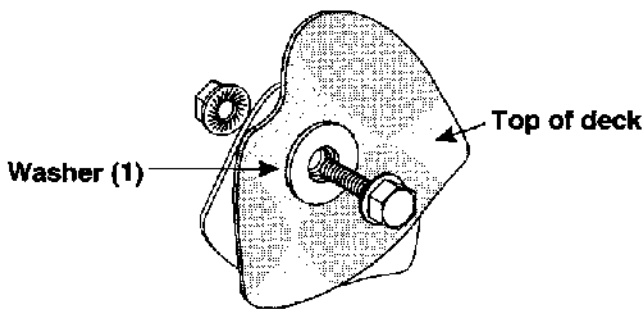
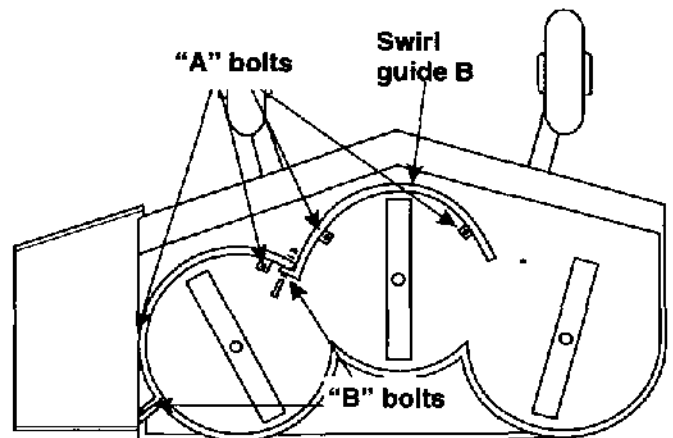
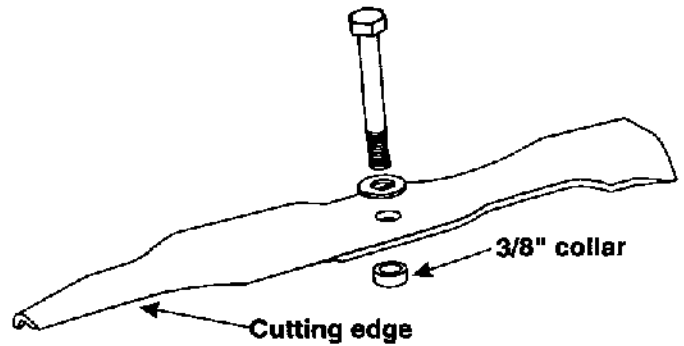
3/8" Mulching Collars (3)

# Installation

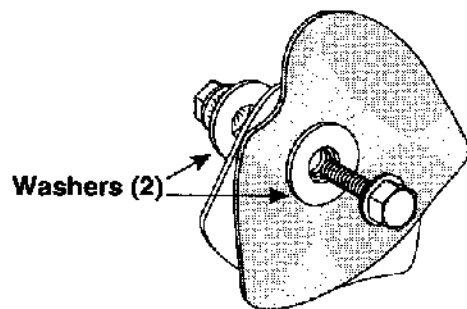
1. Remove the mower deck from the power unit. See the Owner's Manual for instructions. Do not remove the discharge guard. If the mower deck has been in use, thoroughly clean clippings and other debris from the underside of the deck.
2. Turn the mower deck upside down. Locate the four pilot holes as shown and drill them out with a 7/16" bit. Remove burrs from the holes.
3. Set swirl guide C into the mower deck on the discharge side, and temporarily bolt it into position with a 3/8" bolt and nut.
4. Align swirl guide C so the bend in the swirl guide is flush with the bend in the rear discharge baffle.
5. Rotate the blade tip to make sure there is about 5/8" clearance from the blade to the swirl guide.
6. Using a pencil or scribe, mark the two locations for drilling.
7. Center punch and drill the two marked locations with a 7/16" inch drill bit. Remove burrs from drilled holes.



8. Install swirl guide C using three 3/8" bolts, four flat washers and three 3/8" flange nuts.
9. Remove the standard blade and its 1/2" collar from the far right spindle and replace it with the mulching blade and its 3/8" collar. Tighten the blade bolt to a torque of 88-102 N•m (65-75 ft. lb.).
10. Tighten the three bolts on swirl guide C while maintaining even clearance between the blade tip and swirl guide.
11. Attach (but do not tighten) swirl guide B to swirl guide C using two 3/8" bolts, four flat washers and two 3/8" flange nuts. Make sure swirl guide B is placed inside the curve of swirl guide C. Install bolts from the spindle side.
12. Attach swirl guide B to the deck using two 3/8" bolts, two flat washers, and two 3/8" flange nuts. Adjust swirl guide B so there is about 5/8" clearance between the blade tip and the front of swirl guide B, and tighten all four bolts.
13. Remove the standard blade and its 1/2" collar from the center spindle, and replace it with the mulching blade and its 3/8" collar. Tighten the blade bolt to a torque of 88-102 N•m (65-75 ft. lb.).

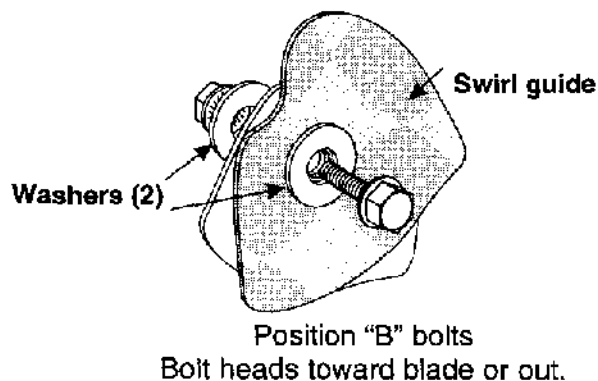
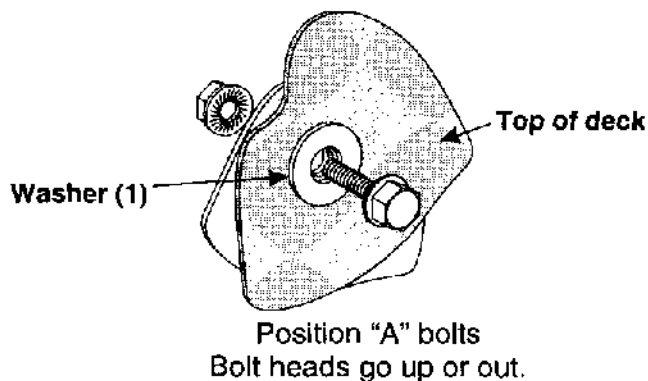
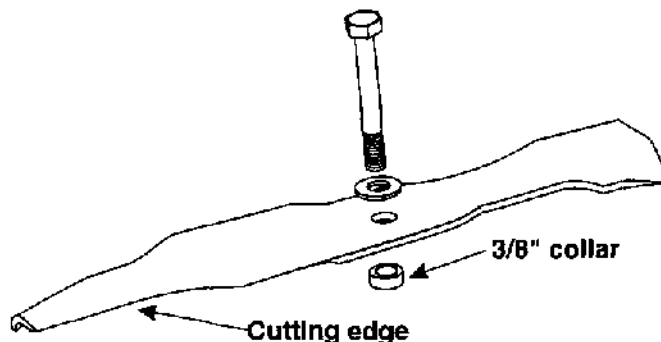
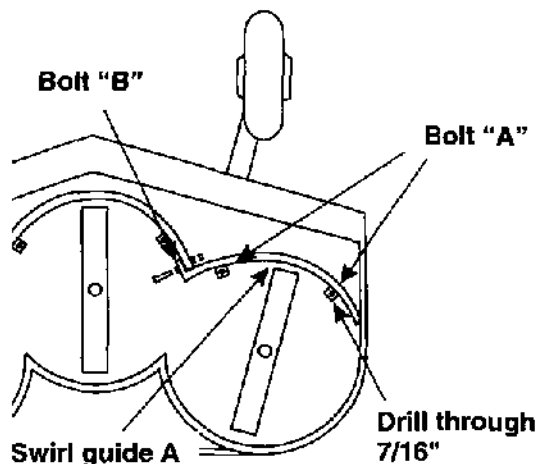


Position "A" bolts with Bolt heads up or out.



Position "B" bolts with Bolt heads toward blade or out.

14. Temporarily attach swirl guide A to swirl guide B using two 3/8" bolts, four flat washers and two 3/8" flange nuts. Swirl guide A should be positioned so it fits inside the curve of swirl guide B, where the two swirl guides bolt together. Now temporarily attach swirl guide A to the deck with a 3/8" bolt, flat washer, and 3/8" flange nut.
15. Adjust swirl guide A so there is about 5/8" clearance between blade tip and swirl guide A through the entire arc of blade movement.
16. Mark the location for drilling a hole for swirl guide A. Remove the swirl guide. Center punch and drill the marked location with a 7/16" inch drill bit. Remove burrs from the drilled hole.
17. Install swirl guide A using four 3/8" bolts, six flat washers and four 3/8" flange nuts. Tighten the bolts for swirl guide A while maintaining about 5/8" clearance between the inside of both swirl guide A and B and the blade tips.
18. Remove the standard blade and its 1/2" collar from the far left spindle, and replace it with the mulching blade and its 3/8" collar. Tighten the blade bolt to a torque of 88-102 N•m (65-75 ft. lb.).
19. Make sure all three blades rotate freely without touching the swirl guides. Make sure all bolts are properly tightened.
20. Reattach the mower deck to the power unit. See the Owner's Manual for detailed mower deck installation instructions.





## Operation

### HEIGHT ADJUSTMENTS FOR MULCHING

Generally, the mower deck should be kept flat for best mulching results. This is accomplished by making sure the front casters are mounted in the higher cutting range, and the rear wheels are mounted in the lower cutting range.

With the front casters positioned in the higher range and the rear wheels positioned in the lower range, use the following chart to adjust the front spacers and rear axle mounting hole for a given cut grass height.

#### Height Adjustment

Cutting height (in inches)	Spacers below bracket	Rear axle hole
2½	0	1
3	1	2
3½	2	3

### GRASS CUTTING BASICS

#### Cutting Height

A cutting height setting of 2-1/2 or 3 inches is appropriate for most lawns during cool weather. A higher cut may be needed to protect the lawn during hot summer months. Consult a local nursery or lawn and garden center for advice about specific types of grass and growing conditions in your area.

Most grass should be cut when it has grown 1/2 to 1 inch above the recommended height. If the grass gets too tall, cut it back a little at a time, allowing a few days for the grass to recover between mowings. Avoid cutting more than one third of total grass height in any one mowing.

#### Cutting Width

For an even lawn finish, overlap each mowing swath by a few inches. If the grass is very tall or thick, use more overlap and a narrower mowing swath. If clogging or clumping occurs, you may also need to mow more slowly or raise the cutting height setting.

#### Blade Speed

For best performance, the blades must spin very fast. Always use the fast throttle setting, and keep the engine running at or near maximum rpm. If you hear the engine speed decrease, mow more slowly, cut a narrower swath, or raise the cutting height setting.

#### Blade Sharpness

Keep the blades sharp. Sharp blades cut cleanly. Dull blades tear the grass, leaving shredded ends that turn brown. Refer to the owner's manual for proper sharpening procedures.

#### Moisture

Always wait for wet grass to dry. Wet grass clippings will clog the mower deck and collect in clumps on the lawn. If the soil is very dry, mowing can stir up a lot of dust. Besides being unpleasant to work in, too much dust will clog the carburetor air filter. If dust is a problem, water the lawn the day before mowing. Mow when the grass dries, and the soil is still moist.



## MULCHING

For best mulching results, mow the lawn frequently, cutting off less than one inch of grass each time. In growing season, you will probably need to mow the lawn twice a week. Frequent mowing, with light cuts, makes it easier for your mulching mower to turn grass clippings into fine particles that will fall through the turf and decompose quickly. This returns nutrients to the soil and reduces the need for raking, bagging and disposal.

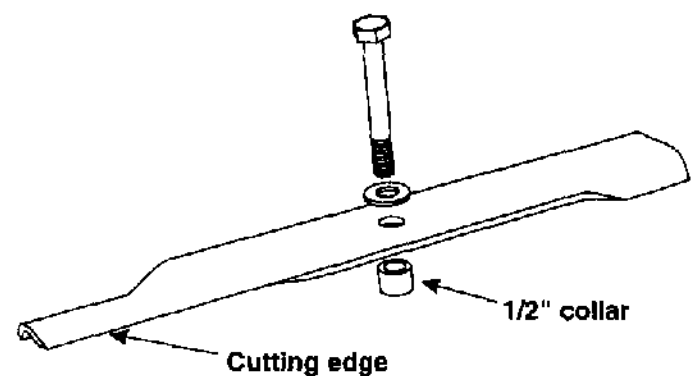
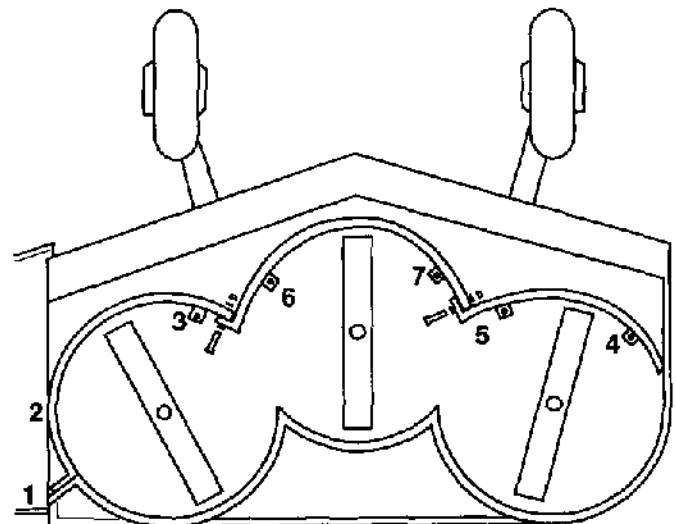
This mulching kit closes the discharge port in the mower deck and adds swirl guides that help to recirculate grass clippings through the special mulching blades.

After the initial installation, the swirl guides and mulching blades can be removed if you decide to convert the mower deck for side-discharge or bagging use.

## Mulching Kit Removal

For side discharge mowing or for bagging grass, the mulching kit must be removed and the standard blades installed.

1. Raise and block the front end of the mower.
2. Remove the three mulching blades and the three 3/8" collars.
3. Loosen and remove the seven 3/8" bolts holding the three swirl guides to the deck. Loosen the bolts in the order shown so the swirl guides are supported and easily removed.
4. Remove all three swirl guides as a single unit.
5. Install standard blades using the standard 1/2" collars. Tighten the blade bolts to a torque of 88-102 N•m (65-75 ft. lbs.).
6. Reposition the height adjusters for normal mowing.



## Customer Service Information

Honda Power Equipment dealerships are staffed by trained professionals. They should be able to answer any question you may have. If you encounter a problem that your dealer does not solve to your satisfaction, please discuss it with the dealership's management. Almost all problems are solved in this way.

If you are not satisfied with the decision made by the dealership's management, contact Honda Power Equipment Customer Service Office.

You can write to:

Honda Power Equipment  
Customer Service Office  
4475 River Green Parkway  
Duluth, Georgia 30136

Or telephone:

(404) 497-6400

When you call or write, please provide us the following information:

- Identification number (power unit and mower deck)
- Name of the dealer who sold the mower to you
- Name and address of the dealer who services your mower
- Date of purchase
- Your name, address, and telephone number
- A detailed description of the problem

## **Current customer service contact information:**

### **United States, Puerto Rico, and U.S. Virgin Islands:**

Honda Power Equipment dealership personnel are trained professionals. They should be able to answer any question you may have. If you encounter a problem that your dealer does not solve to your satisfaction, please discuss it with the dealership's management. The Service Manager or General Manager can help. Almost all problems are solved in this way.

If you are dissatisfied with the decision made by the dealership's management, contact the Honda Power Equipment Customer Relations Office. You can write:

American Honda Motor Co., Inc.  
Power Equipment Division  
Customer Relations Office  
4900 Marconi Drive  
Alpharetta, GA 30005-8847

Or telephone: (770) 497-6400 M-F, 8:30 am - 5:00 pm EST

When you write or call, please provide the following information:

- Model and serial numbers
- Name of the dealer who sold the Honda power equipment to you
- Name and address of the dealer who services your equipment
- Date of purchase
- Your name, address, and telephone number
- A detailed description of the problem

**H/C 4742508**