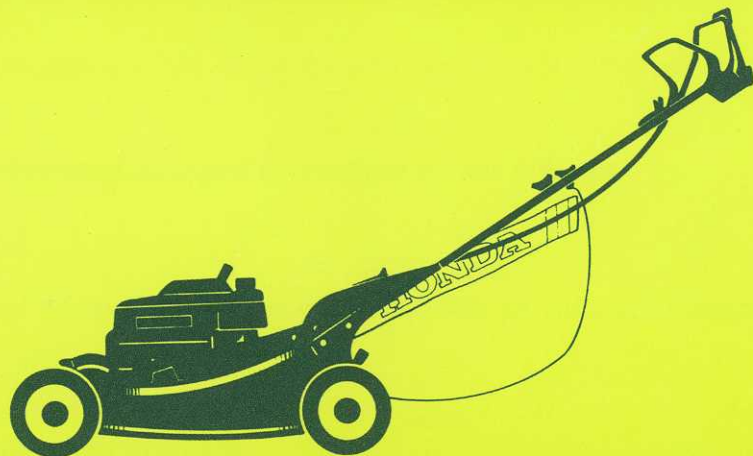
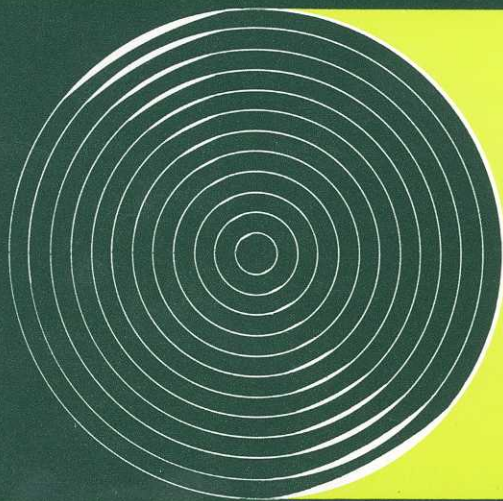


HONDA®

Rotary Mower

HR 214

OWNER'S
MANUAL





Thank you for purchasing a Honda mower.

This manual covers operation and maintenance of Honda HR214 rotary mowers, type SMA (self-propelled, electric starting), type SXA (self-propelled, manual starting), and type PXA (manually propelled, manual starting). Illustrations in this manual are based on type SXA, unless otherwise noted. Honda HR214 mowers meet CPSC blade safety requirements for walk-behind rotary power mowers. Honda Motor Co., Ltd. reserves the right to make changes at any time without notice and without incurring any obligation.

No part of this publication may be reproduced without written permission.

This manual should be considered a permanent part of the mower and remain with the mower when sold.

Pay special attention to statements preceded by the following words;

 **WARNING**

Indicates a strong possibility of severe personal injury or loss of life if instructions are not followed.

CAUTION

Indicates a possibility of personal injury or equipment damage if instructions are not followed.

NOTE: Gives helpful information.

If a problem should arise, or if you have any questions about the mower, consult an authorized Honda dealer.

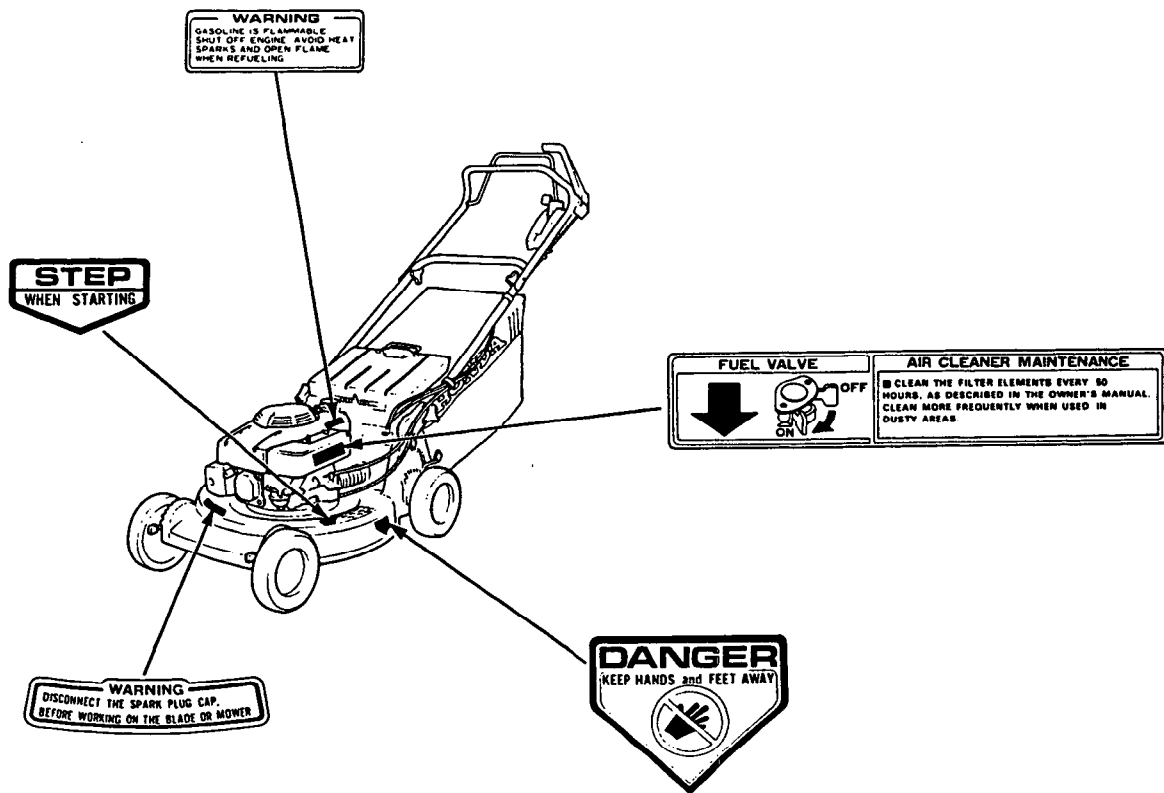
HONDA MOTOR CO., LTD. 1983, ALL RIGHTS RESERVED

 WARNING

- * **The Honda rotary mower is designed to give safe and dependable service if operated according to instructions and intended use: mowing (cutting) grass, and bagging cut grass when equipped with the grass bag. Any other use could be dangerous.**
- * **Read and understand the Owner's Manual before operating the mower. Failure to do so could result in personal injury or equipment damage.**

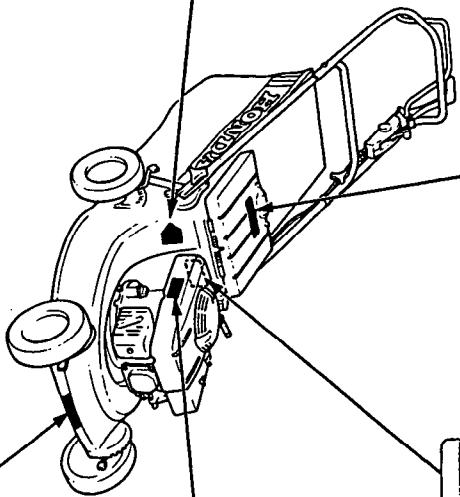
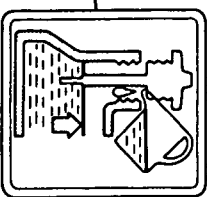
CONTENTS	3
CAUTION LABEL LOCATION	4
GENERAL SAFETY	6
COMPONENT IDENTIFICATION	7
CONTROLS	9
OPERATION	11
BEFORE YOU START THE MOWER	12
● High altitude operation	15
STARTING AND STOPPING THE ENGINE	15
TRANSPORTING/STORAGE	22
MAINTENANCE	25
TROUBLESHOOTING	39
SPECIFICATIONS	40
WIRING DIAGRAM	41
WARRANTY SERVICE	42

CAUTION LABEL LOCATIONS



WARNING
TO PREVENT SERIOUS INJURY, DO NOT REACH INSIDE WHEN ENGINE IS RUNNING.

HONDA HR214
WARNING
■ READ OWNER'S MANUAL BEFORE OPERATING OR MAINTAINING
■ TO PREVENT INJURY FROM TORNADO OBJECTS
■ CLEAN AREA OF DEBRIS. KEEP OTHERS AWAY
■ DO NOT REMOVE GUARDS
■ ALWAYS WEAR SEATBELT WHEN OPERATOR IS CLOSED
OR BUILT IN PLACE



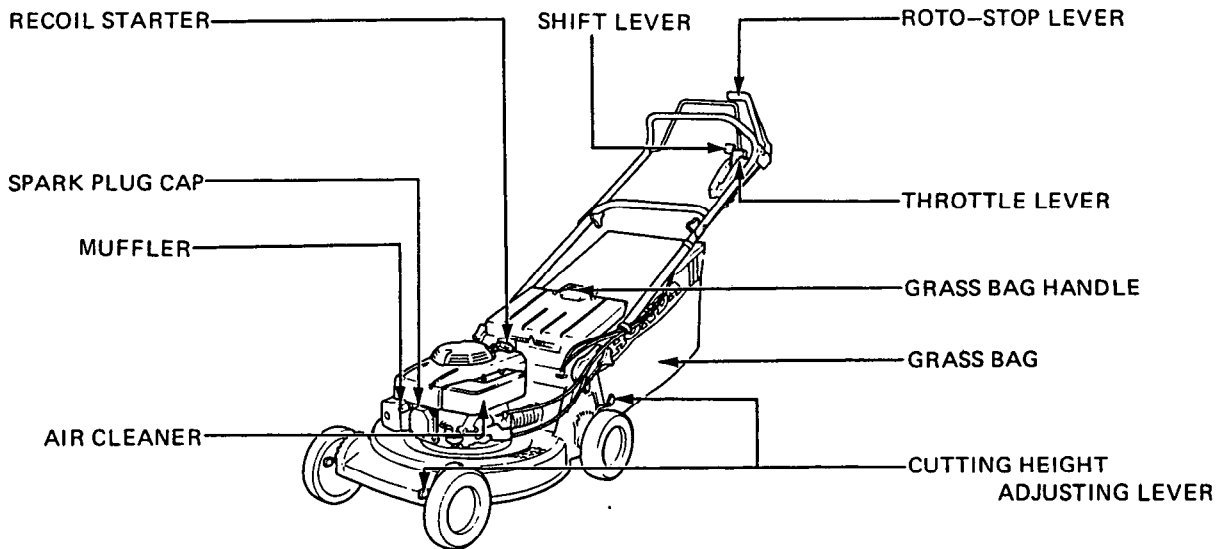
DANGER: KEEP HANDS and FEET AWAY

GENERAL SAFETY

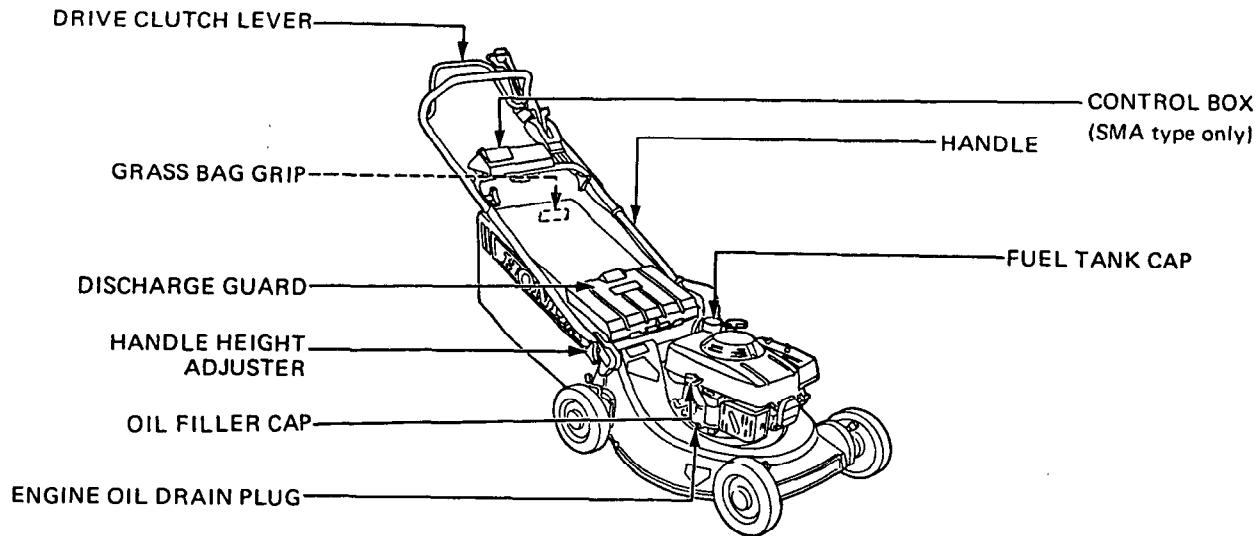
WARNING

- * Know how to stop the engine quickly and understand operation of all the controls. Never permit anyone to operate the mower without proper instruction.
- * The rear shield is for your protection; keep it in place at all times.
- * The blade is sharp and dangerous. Never put your hands or feet under the mower. Never tilt the mower to expose the blade while the engine is running. If you find it necessary to work on the blade or mower, stop the engine and remove the spark plug cap.
- * Never stand in front of self-propelled mowers when the engine is running. Someone may accidentally engage the drive clutch.
- * Clear the lawn of sticks, stones, or debris before mowing. Mow only in cleared areas in daylight or good artificial light.
- * Protect yourself by wearing long trousers and appropriate shoes. Don't wear loose fitting clothing or sandals when mowing.
- * Keep children and pets away from the mower at all times.
- * If the blade strikes a stone, sprinkler head, etc., be sure the blade, blade holder, woodruff key, fasteners, crankshaft, etc. are in good condition before continuing to mow.
Replace any damaged parts.

COMPONENT IDENTIFICATION



(SXA type)



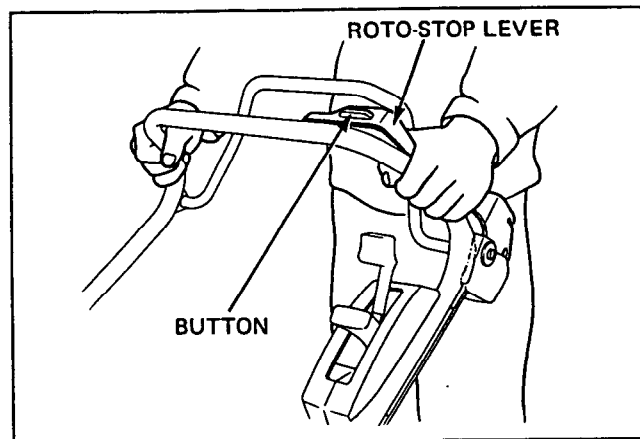
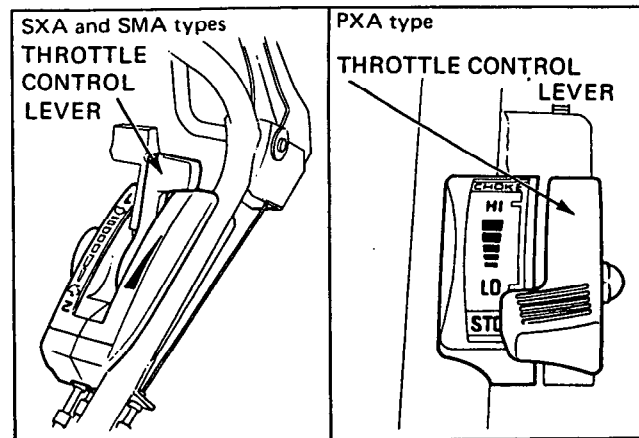
CONTROLS

Throttle Control Lever

Throttle positions: CHOKE
HI
LO
STOP

ROTO-STOP Lever (All types)

To put the cutting blade into operation, press the button on top of the ROTO-STOP lever and push the lever forward, holding it against the handlebar. The blade will stop when the ROTO-STOP lever is released.

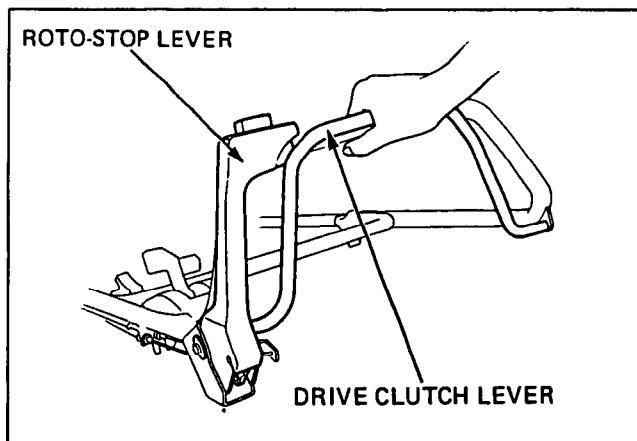


Drive Clutch Lever (Self-propelled type)

To propel the mower, push the drive clutch lever forward and hold it against the handlebar. Release the lever to disengage the drive.

To propel the mower and operate the cutting blade simultaneously, push the button on top of the ROTO-STOP lever and push the ROTO-STOP lever forward, then push the drive lever forward; the drive clutch lever will hold the ROTO-STOP lever forward, as shown.

When the drive clutch lever is used to hold the ROTO-STOP forward, releasing the drive clutch lever automatically releases the ROTO-STOP lever.

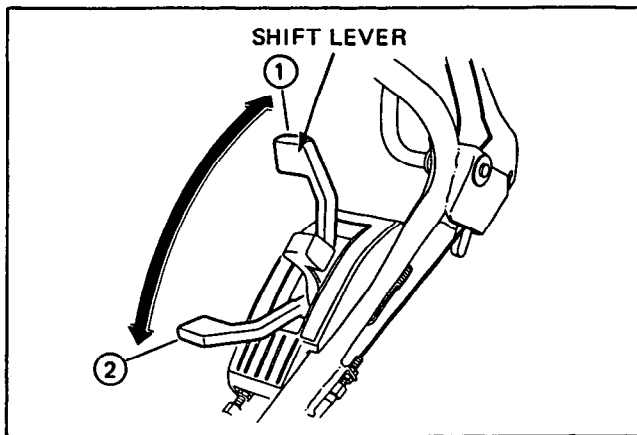


Shift Lever (Self-propelled type)

Move the shift lever to select slow or fast drive speed.

Position 1: Slow, 0.8 m/sec (2.6 ft/sec)

Position 2: Fast, 1.2 m/sec (3.9 ft/sec)



OPERATION

This MOWER should be used with the grass bag.

The following suggestions and rules are intended to help you operate your Honda HR214 under the safest conditions possible. Be alert and exercise the same care using the mower as you would using any other power tool.

WARNING

- * Be especially careful when mowing uneven or rough ground. The mower may tilt, exposing the blade, and hidden objects could be thrown by the blade. Keep all four wheels on the ground.
- * Mow across slopes. Do not mow excessively steep slopes.
- * Control direction by the handle, not by foot pressure or the mower housing.
- * Keep a firm hold on the handle and walk, never run, with the mower. Don't lag behind the machine or let it pull you.

CAUTION

- * Use extra care when mowing around objects to keep the blade from striking them. Never deliberately mow over any object.
- * Stop the engine immediately if the blade hits an object or the mower starts to vibrate. Remove the spark plug cap (keep the wire away from the plug) and inspect for damage.

NOTE: (Self-propelled type) Do not use the drive clutch when maneuvering around trees, etc. Release the clutch and push the mower while using the ROTO-STOP for better directional control.

BEFORE YOU START THE MOWER

1. Check the engine oil level.

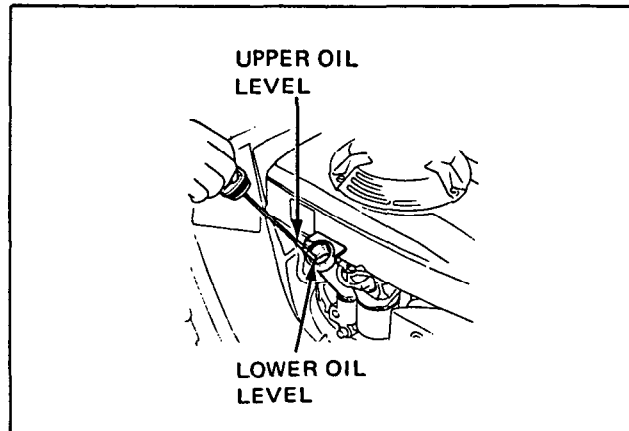
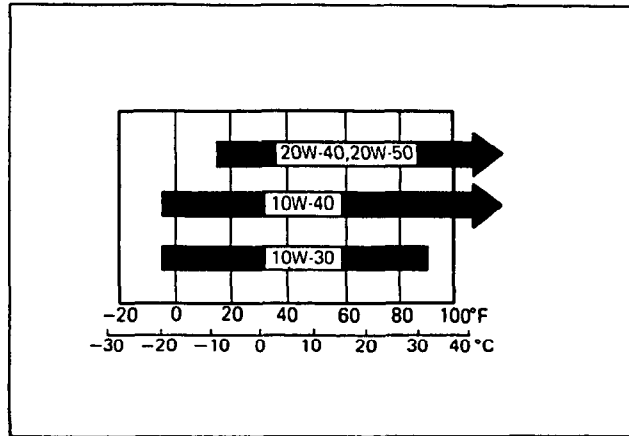
CAUTION

- * Engine oil is a major factor affecting engine performance and service life. Non-detergent oil and 2-stroke engine oil are not recommended.
- * Running the engine with insufficient oil can cause serious engine damage.

Use Honda-4-stroke, or an equivalent high detergent, premium quality motor oil certified to meet or exceed U.S. automobile manufacturers' requirements for service classification SE or SF (Motor oils classified SE or SF will show this designation on the container).

SAE 10W-40 is recommended for general, all temperature use.

- a. Place the mower on a level surface.
- b. Remove the oil filler cap and wipe the dipstick clean.
- c. Insert the dipstick into the oil filler neck, but do not screw it in.
- d. Check the oil level shown on the dipstick. If near the lower level, fill to the upper level with the recommended oil.



2. Check the fuel level.

Use any regular grade automotive gasoline (unleaded gasoline is preferred) with a pump octane rating of 86 or higher.

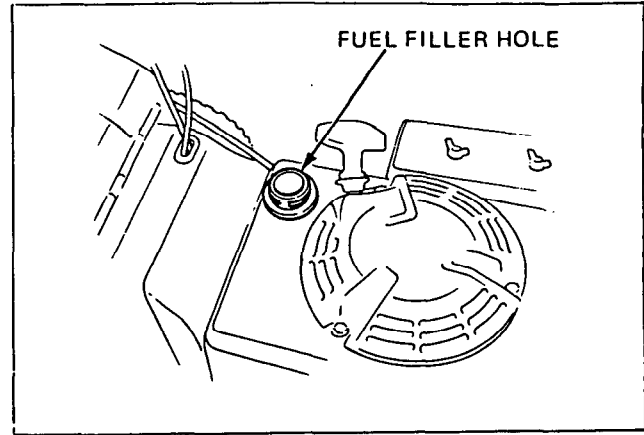
Never use an oil/gasoline mixture or dirty gasoline. Avoid getting dirt, dust or water in the fuel tank.

WARNING

- * Gasoline is extremely flammable and explosive under certain conditions. Refuel in a well ventilated area with the engine stopped.
- * Do not smoke or allow flames or sparks in the area where the mower is refueled or where gasoline is stored.
- * Be careful not to spill fuel when refueling. Fuel vapor or spilled fuel may ignite. Make sure the area is dry before starting the engine.
- * Do not overfill the tank and make sure the filler cap is securely closed after refueling.
- * Refuel when the engine is cold.

CAUTION

Gasoline substitutes are not recommended, they may be harmful to the fuel system components.



3. Handle height adjustment

Adjust handle height for convenient mowing.

- Loosen both sides of handle hook bolts.
- Swing the handle up or down as required.
- After adjusting, make sure the handle hook bolts are tightened securely.

4. Check the grass bag for fraying, tears and clogged mesh. Wash the bag with water if necessary, and let it dry thoroughly. Grass will not chute properly without adequate ventilation through the bag. Make sure that the bag is properly installed.

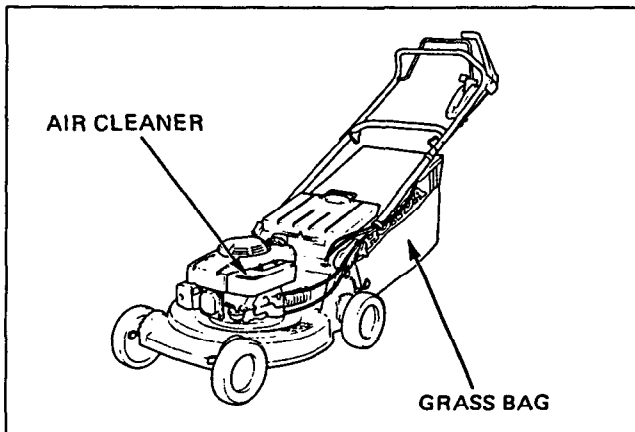
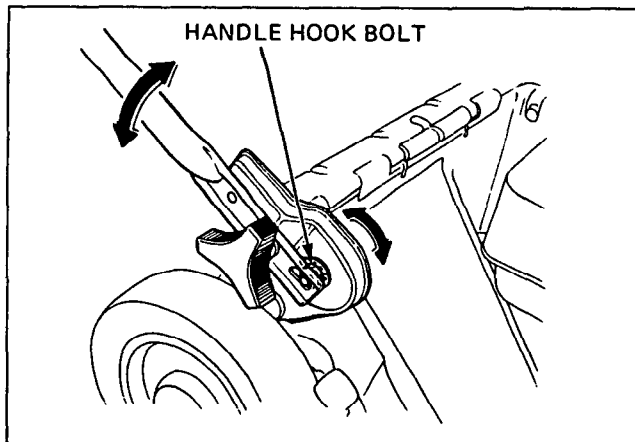
5. Check the blade bolts for tightness.

Torque: 5.0–6.0 kg-m (36.2–43.4 ft-lb)

WARNING

* To be certain that the engine will not start accidentally, remove the spark plug cap before performing this inspection.

6. Check the air cleaner element and clean it if it is dirty (p. 28).



● High altitude operation

At high altitude, the standard carburetor air-fuel mixture will be excessively rich. Performance will decrease, and fuel consumption will increase.

High altitude performance can be improved by installing a smaller diameter main fuel jet in the carburetor and readjusting the pilot screw. If you always operate the mower at altitudes higher than 6,000 feet above sea level, have your authorized Honda Rotary Mower dealer perform these carburetor modifications.

Even with suitable carburetor jetting, engine horsepower will decrease approximately 3.5 % for each 1,000 foot increase in altitude. The affect of altitude on horsepower will be greater than this if no carburetor modification in made.

CAUTION:

Operation of the mower at an altitude lower than the carburetor is jetted for may result in reduced performance, overheating, and serious engine damage caused by an excessively lean air/fuel mixture.

STARTING AND STOPPING THE ENGINE

Starting the Engine [Manual starting]

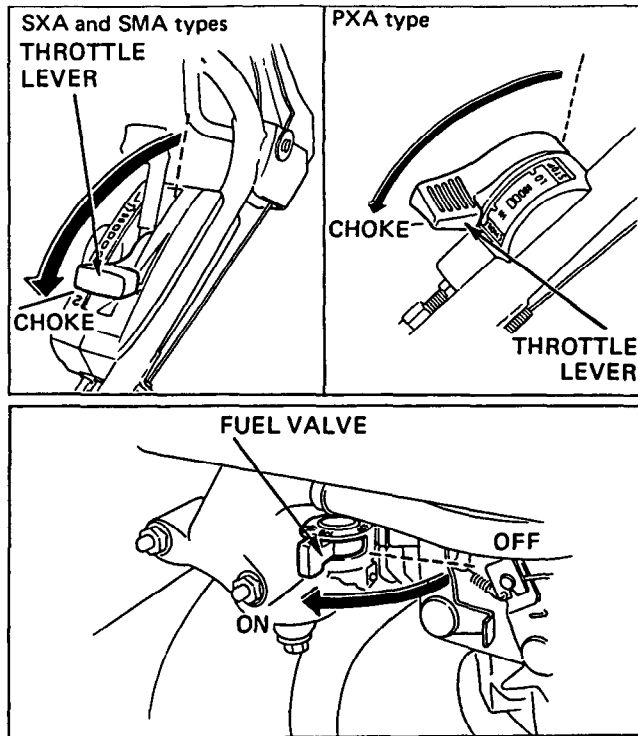


WARNING * Exhaust gas contains poisonous carbon monoxide. Never run the mower in an enclosed area. Be sure to provide adequate ventilation.

1. Move the throttle lever to CHOKE.

NOTE: Do not use CHOKE when the engine is warm or the air temperature is high. Move the throttle to LO instead.

2. Turn the fuel valve ON.



3. Place your foot on the STEP of the mower housing.
4. Pull the starter rope lightly until you feel resistance, then pull briskly.

NOTE:

Do not allow the rope to snap back; return it by hand.

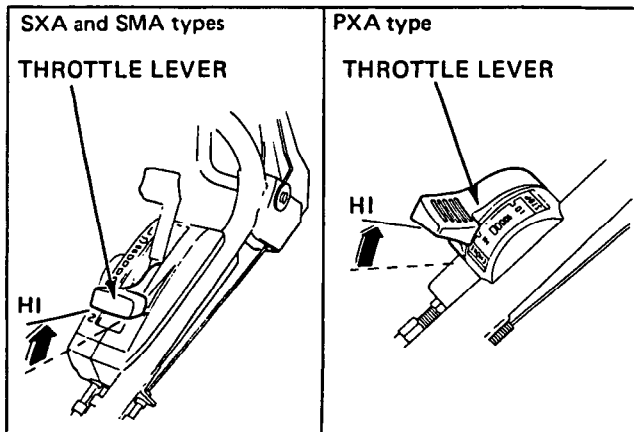
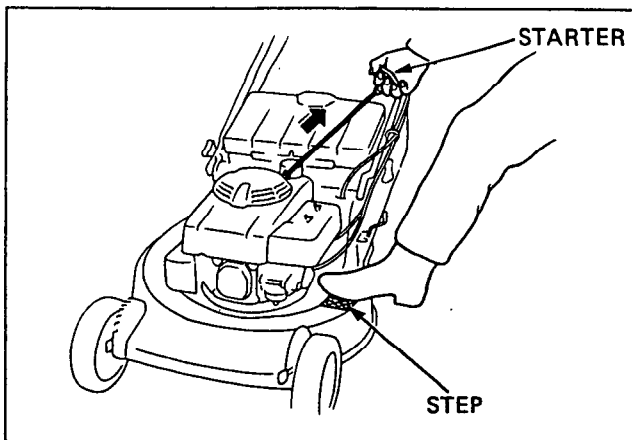
5. After the engine warms up, move the throttle lever to HI. Push the ROTO-STOP lever forward to put the cutting blade into operation.

Self-propelled type only:

Select shift lever position 1 (slow) or 2 (fast), and push the drive clutch lever forward to propel the mower.

NOTE:

The throttle lever may be moved anywhere between HI and LO to adjust engine speed during operation. However, the engine may stall if the lever is at LO when the ROTO-STOP is engaged.



[Electric starting – SMA type only]

⚠ WARNING

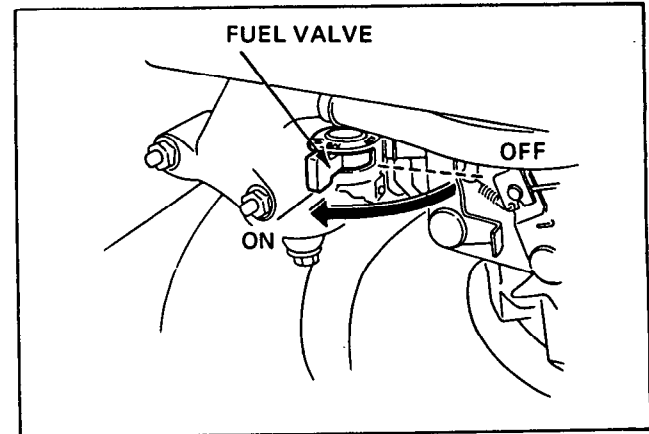
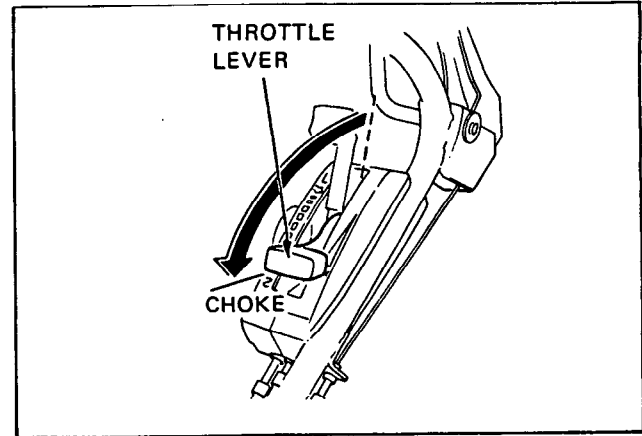
* Exhaust gas contains poisonous carbon monoxide.
Never run the mower in an enclosed area. Be sure to provide adequate ventilation.

1. Move the throttle lever to CHOKE.

NOTE:

Do not use CHOKE when the engine is warm or the air temperature is high. Move the throttle to LO instead.

2. Turn the fuel valve ON.



3. Turn the engine switch key to **START**, and hold it until the engine starts.

CAUTION: Do not use the electric starter for more than 5 seconds. If the engine fails to start, release the key, and wait at least 10 seconds before operating the starter again.

NOTE: If the starter does not operate, check the circuit breaker. The yellow pin in the circuit breaker button pops up when the circuit breaker has tripped. Push the circuit breaker button in to reset.

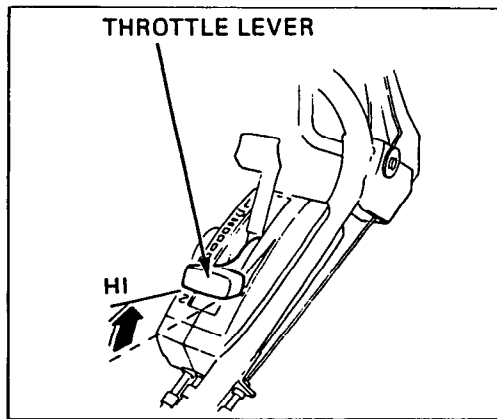
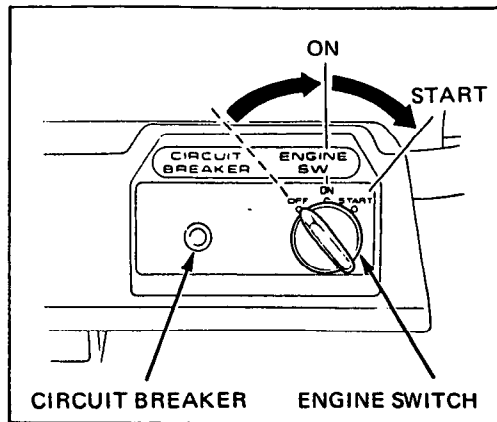
4. After the engine starts, let the engine switch return to **ON**.
5. After the engine warms up, move the throttle lever to **HI**. Push the **ROTO-STOP** lever forward to put the cutting blade into operation.

Self-propelled type only:

Select shift lever position 1 (slow) or 2 (fast), and push the drive clutch lever forward to propel the mower.

NOTE:

The throttle lever may be moved anywhere between **HI** and **LO** to adjust engine speed during operation. However the engine may stall if the lever is at **LO** when the **ROTO-STOP** is engaged.



Flooded Engine

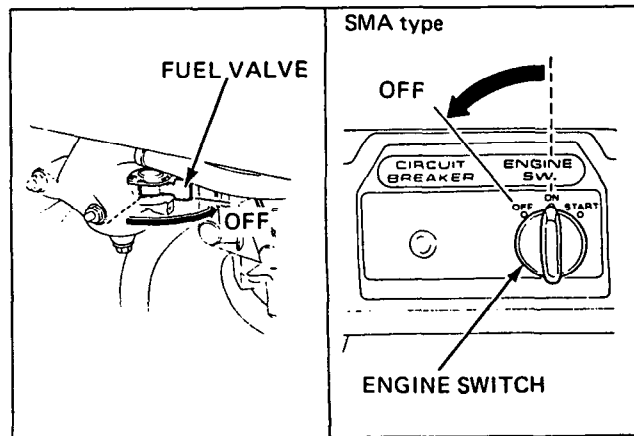
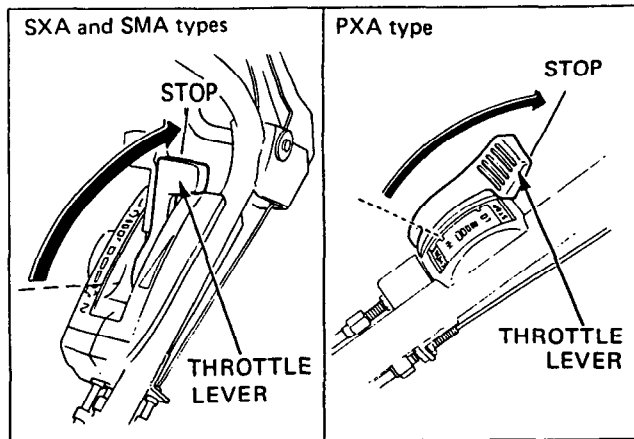
If the engine won't start after several pulls on the starter rope, the engine may be flooded.

To clear a flooded engine:

1. Move the throttle lever to STOP and turn off the fuel valve.
2. Remove and dry the spark plug. When reinstalling the plug, thread it in by hand until it seats. Then tighten it an additional 1/8-1/4 turn with the spark plug wrench to compress the washer.
3. Move the throttle to HI, turn on the fuel valve and repeat steps 3-5 under "Starting the Engine"

Stopping the Engine

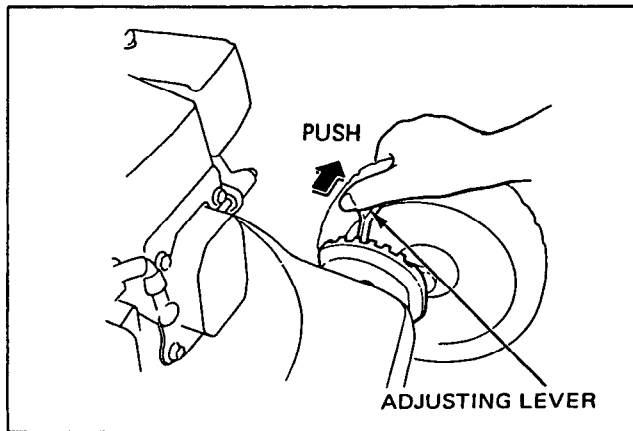
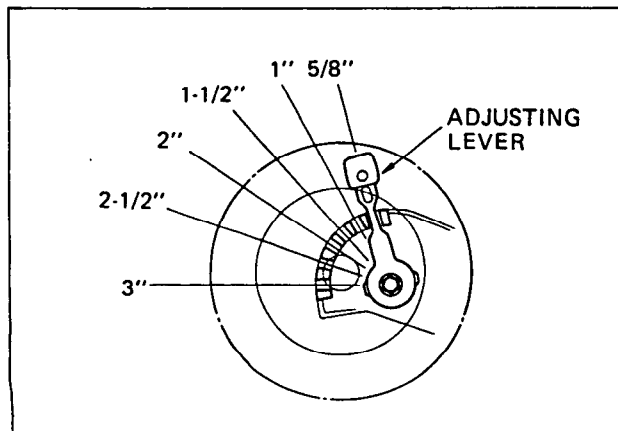
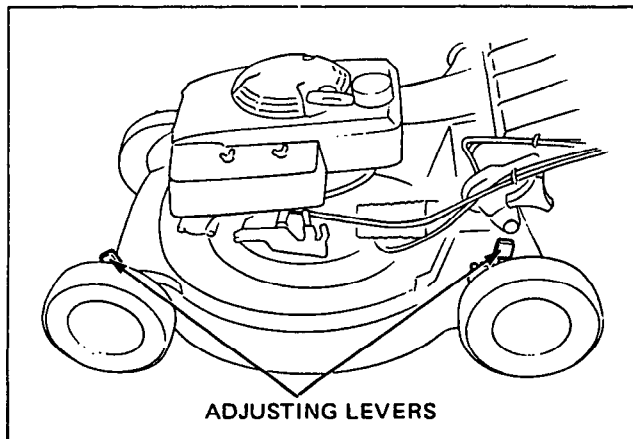
1. Release the drive clutch (self-propelled type only) and/or ROTO-STOP lever.
2. Move the throttle lever to STOP and turn off the fuel valve.
3. Turn the engine switch to OFF (SMA type only).



Cutting Height Adjustment

Six settings are available: 5/8", 1", 1-1/2", 2", 2-1/2", 3".

1. Stop the engine.
2. Push the front and rear adjusting levers toward the wheels and move them up or down to raise or lower cutting height. Adjust all four wheels to the same height.



Grass Bag

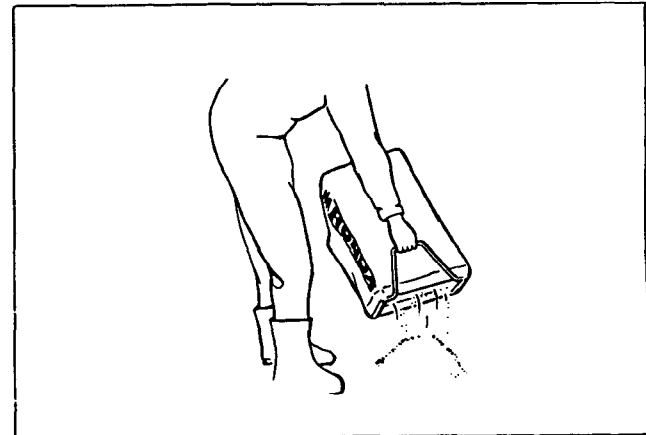
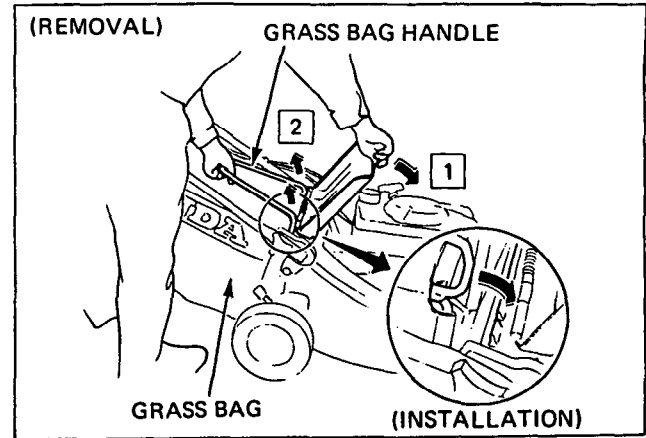
The bag is subject to wear under normal usage; check frequently for fraying and tears. Replace deteriorated bags only with Honda replacement bags or their equivalent. When the bag needs cleaning, wash it with water and make sure it is dry before using it. Clogged mesh will result in poor grass chuting and a wet bag will clog quickly.

Removal

1. Stop the engine.
2. Raise the discharge guard, grasp the grass bag handle, and lift the bag to unhook it from the mower.

Installation

Raise the discharge guard and hook the grass bag frame over the retaining tabs on the mower.



TRANSPORTING/STORAGE

Transporting

Turn the fuel valve OFF when transporting the mower.

WARNING

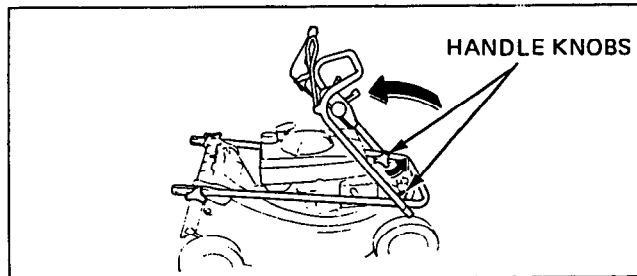
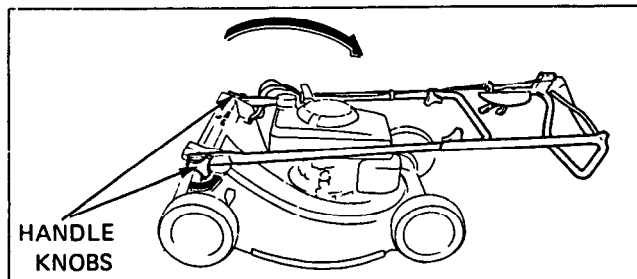
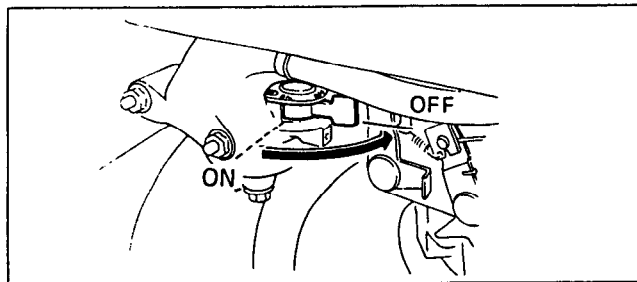
* To avoid fuel and oil spillage do not tilt the unit; spilled fuel may ignite.

The handle may be folded for convenience.

1. Remove the grass bag (p. 21).
2. Move the shift lever to the 1st position.
3. Loosen the handle knobs and fold the handle as shown.

NOTE:

After folding the handle, check that the cables are not kinked, twisted or pulled taut.



Preparation for Storage

The following steps should be taken to protect the mower whenever it will be stored for longer than 30 days.

1. Drain the fuel tank and carburetor into a suitable gasoline container:
 - A. Disconnect the fuel tube from the carburetor and drain the fuel tank.
 - B. Loosen the carburetor drain bolt to drain the carburetor.
 - C. Retighten the drain bolt, connect the fuel tube and turn the fuel valve OFF.

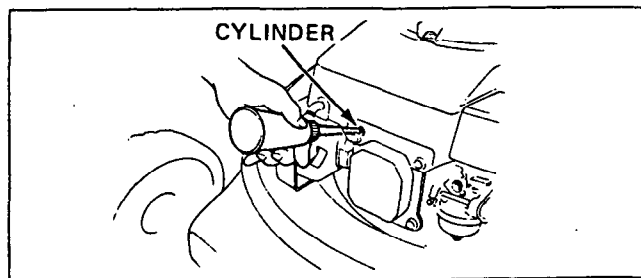
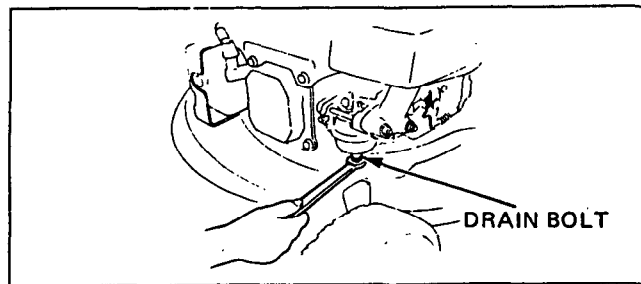
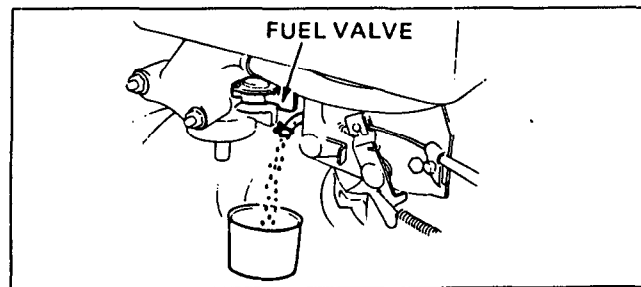
WARNING

- * Gasoline is extremely flammable and explosive under certain conditions. Do not smoke or allow flames or sparks in the area.

2. Change the engine oil (p. 27).

NOTE:

If the mower will be stored for longer than 3 months, remove the spark plug and pour three tablespoonsful of clean motor oil into the cylinder. Pull the starter rope slowly two or three times to distribute the oil. Replace the plug.



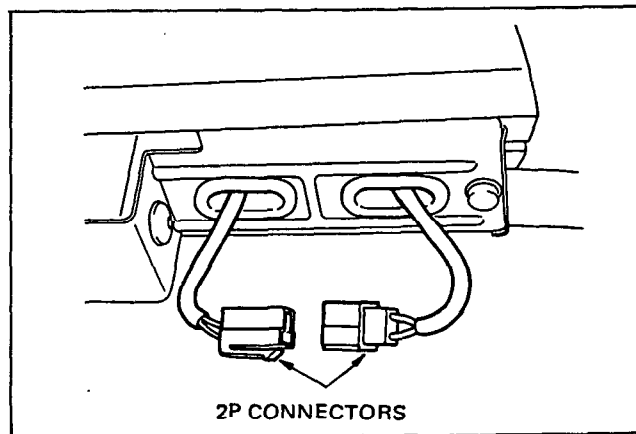
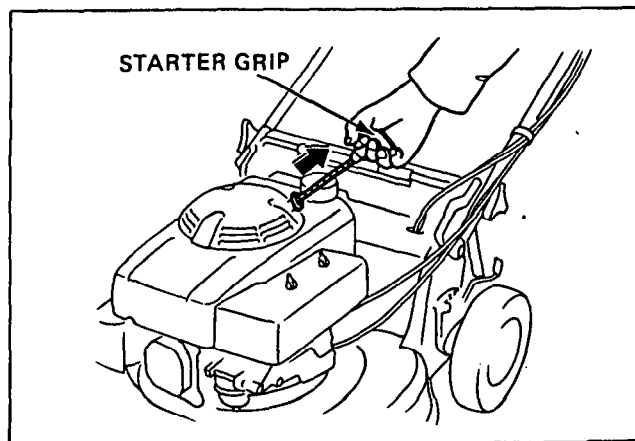
3. Pull the starter rope until resistance is felt. This closes the valves and helps to protect the combustion chamber from corrosion.
4. Coat areas that may rust with a light film of oil. Cover the mower and store it on a level surface in a dry, dust free area.
5. SMA type only – Charge the battery (p. 38) before storing the mower, and recharge once a month during prolonged storage. This will help to extend the service life of the battery. Leave the 2P battery connector disconnected until removal from storage.

Removal from Storage

1. Remove the spark plug; check that it is clean and properly gapped (p. 29). Pull the starter rope several times.
2. Thread the spark plug in as far as possible by hand, then use the plug wrench to tighten $1/8$ to $1/4$ turn further.
3. Check the engine oil level and condition.
4. Fill the fuel tank and start the engine.
5. SMA type only – Charge the battery (p. 38). Connect the 2P battery connectors.

NOTE:

If the cylinder was coated with oil, the engine will smoke at start up; this is normal.



MAINTENANCE

WARNING

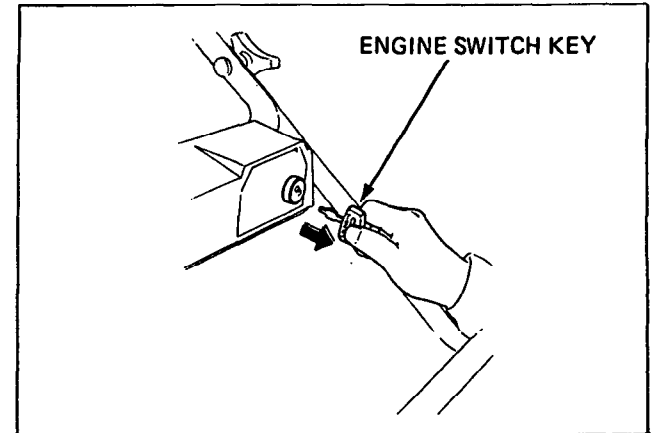
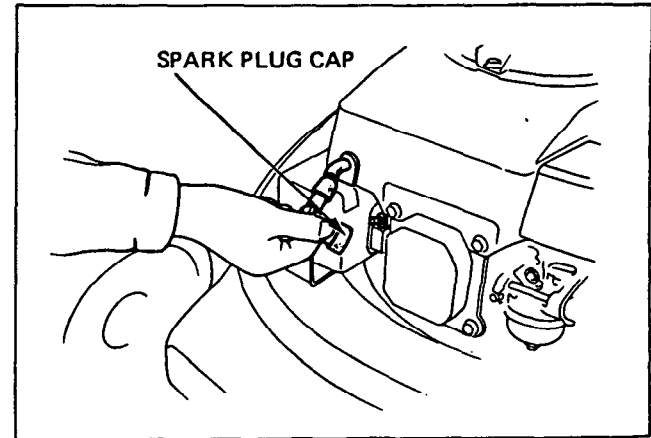
- * To prevent accidental start-up, shut off the engine and disconnect the spark plug cap and remove the engine switch key (SMA type only) before performing any maintenance.

CAUTION

- * Use only genuine Honda parts or their equivalent for maintenance or repair. Replacement parts which are not of equivalent quality may damage the mower.

Periodic inspection and adjustment of the Honda HR214 are essential if high level performance is to be maintained. Regular maintenance will also help to extend service life. The required service intervals and the kind of maintenance to be performed are described in the chart on the following page.

For longer service and greater efficiency, keep the underside of the mower housing clean and free of accumulated grass clippings by washing it down with a hose after use and/or cleaning it with a wire brush and scraper. Remove any rust and apply a rust-resistant paint. Cleaning and rust prevention are especially important before seasonal storage.



Maintenance Schedule

Regular Service Period (3) Perform at every indicated month or operating hour intervals, whichever comes first.		Each Use	First month or 20 Hrs.	Every 3 month or 50 Hrs.	Every 6 months or 100 Hrs.	Every year or 300 Hrs.
Item						
Engine oil	Check level	○				
	Change		○		○	
Air cleaner element	Check	○				
	Clean			○(1)		
Fuel strainer	Check - Clean					○(2)
Spark plug	Clean - Adjust				○	
Blade bolts (Tightness)	Check	○				
Grass bag	Check - Clean	○				
Throttle cable	Adjust					○
Drive clutch cable	Adjust					○
ROTO-STOP cable	Adjust				○	
ROTO-STOP	Check				○(2)	
Shift cable	Adjust				○	
Spark arrester (optional)	Clean				○	
Valve clearance	Check - Adjust					○(2)
Fuel tank	Clean					○(2)
Fuel tube	Check (Replace, if necessary)		Every 3 years (2)			

(1) Service more frequently when used in dusty areas.

(2) These items should be serviced by an authorized Honda dealer, unless the owner has the proper tools and is mechanically proficient. See the Honda Shop Manual.

(3) For professional commercial use, log hours of operation to determine proper maintenance intervals.

Engine Oil Change

Drain the oil while the engine is still warm to assure rapid and complete draining.

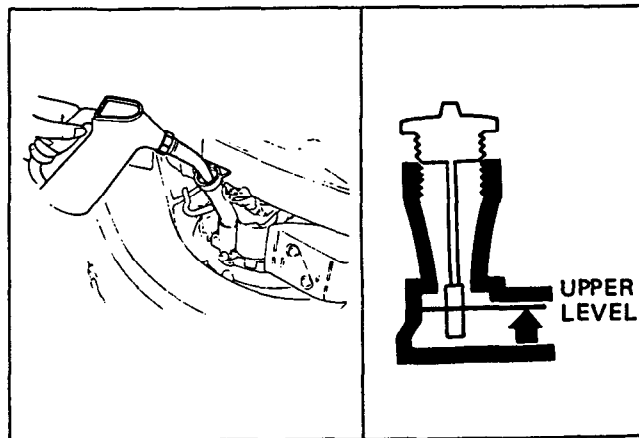
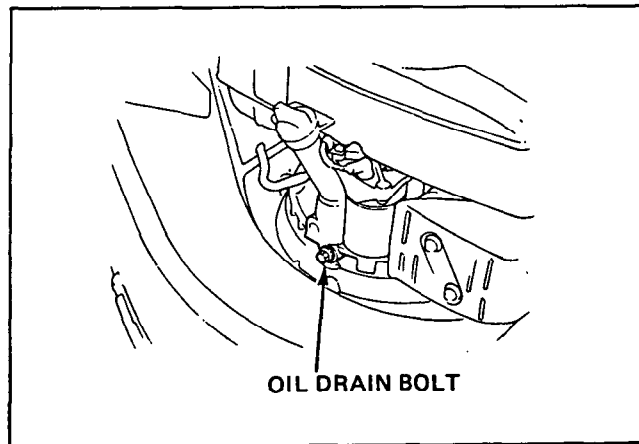
1. Remove the filler cap.
2. Remove the drain bolt, drain the oil, and retighten the bolt securely.
3. Refill to the "Upper" level mark with the recommended oil (see p. 12). Tighten the cap securely to prevent leakage.

CAUTION:

Used motor oil may cause skin cancer if repeatedly left in contact with the skin for prolonged periods. Although this is unlikely unless you handle used oil on a daily basis, it is still advisable to thoroughly wash your hands with soap and water as soon as possible after handling used oil.

NOTE:

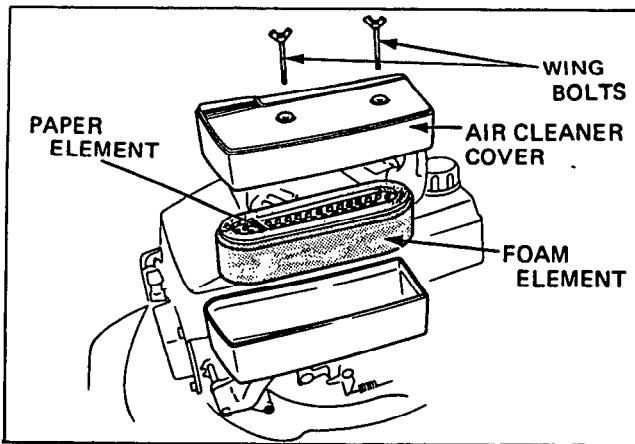
Please dispose of used motor oil in a manner that is compatible with the environment. We suggest you take it in a sealed container to your local service station for reclamation. Do not throw it in the trash or pour it on the ground.



Air Cleaner Service

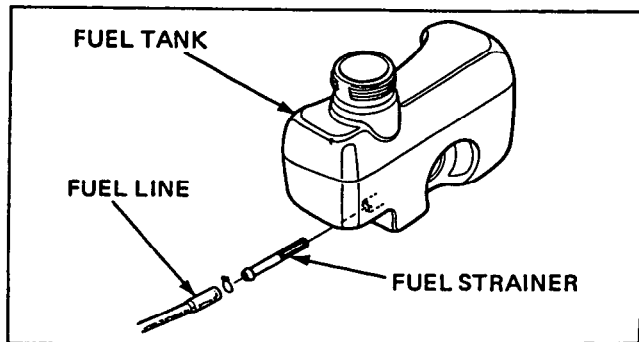
A dirty air cleaner will restrict air flow to the carburetor. To prevent carburetor malfunction, service the air cleaner frequently.

1. Remove the wing bolts and the air cleaner cover. Remove the elements and separate them. Carefully check both elements for holes or tears and replace if damaged.
2. Foam element: Clean in warm soapy water, rinse and allow to dry thoroughly. Or clean in high flash-point solvent and allow to dry. Dip the element in clean engine oil and squeeze out all the excess. The engine will smoke during initial start-up if too much oil is left in the foam.
3. Paper element: Tap the element lightly several times on a hard surface to remove excess dirt, or blow compressed air through the filter from the inside out. Never try to brush the dirt off; brushing will force dirt into the fibers.



Fuel Strainer Service

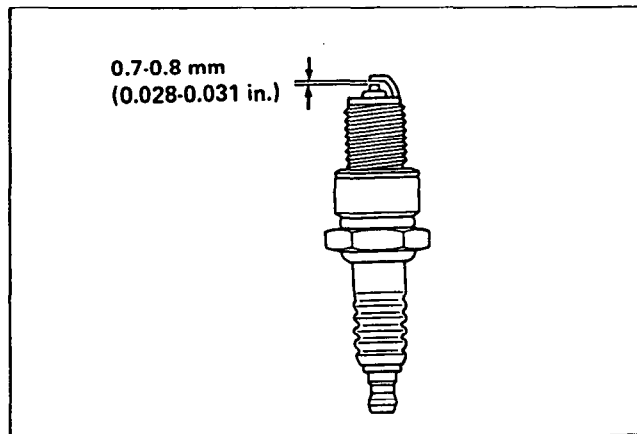
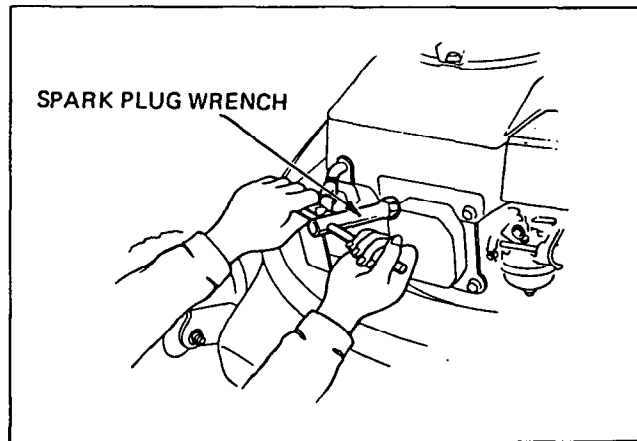
1. Drain the fuel tank (see p. 23).
2. Remove the fuel line from the fuel tank.
3. Remove the fuel strainer from the fuel tank and inspect the filter screen. Clean the screen with a high flash-point solvent if it is dirty.
4. Reinstall the fuel strainer and the fuel line on the fuel tank. Refill the tank with gasoline and check for leaks.



Spark Plug

Standard Plug: BP5ES, BPR5ES (NGK)
W16EP-U, W16EPR-U (ND)

1. Disconnect the cap and remove the spark plug.
2. Visually inspect the plug. Discard the plug if it is heavily deposited or if the insulator is cracked or chipped.
3. Measure the plug gap with a wire-type feeler gauge; it should be 0.7-0.8 mm (0.028-0.031 in). If adjustment is necessary, bend the side electrode carefully.
4. Make sure the sealing washer is in good condition, then thread the spark plug in by hand until it seats.
5. Use the wrench to tighten a new plug 1/2 turn further to compress the washer. If you are reusing the plug it should only take 1/8-1/4 turn after the plug seats.
6. Replace the spark plug cap.



Blade Removal and Sharpening

WARNING

- * Wear heavy gloves to protect your hands.
- * Disconnect the spark plug cap to prevent accidental start-up.

1. Turn the fuel valve to "OFF," and drain the carburetor (see p. 23).
2. Tilt the mower so the carburetor side is up.
Remove the blade bolts to remove the blade.

NOTE:

Never tilt the mower so the carburetor side is down. It will result in hard starting.

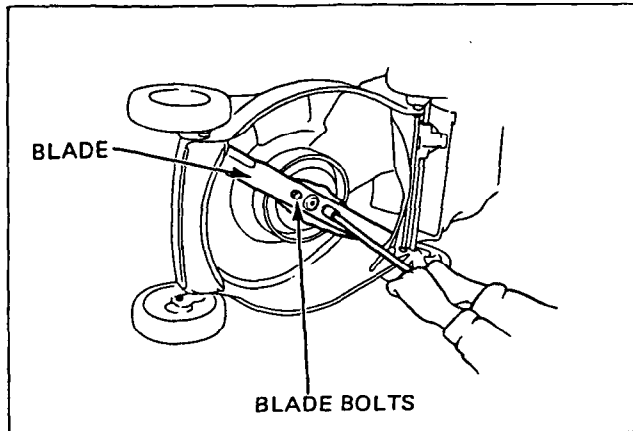
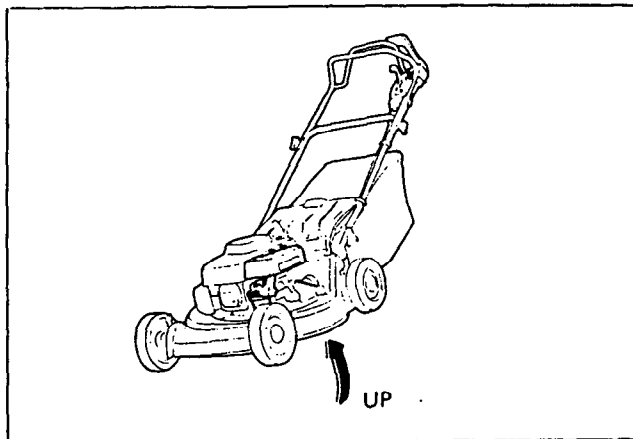
3. Sharpen the blade cutting edges with a file. File the top side only. Maintain the original bevel for a fine cutting edge. File both ends evenly to maintain blade balance.

NOTE:

Use only a genuine HONDA replacement blade or equivalent.

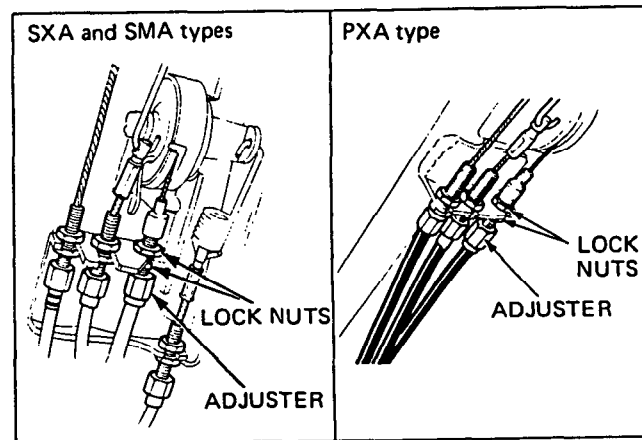
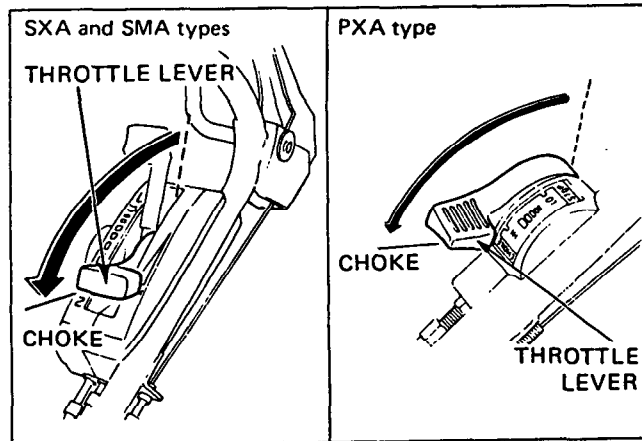
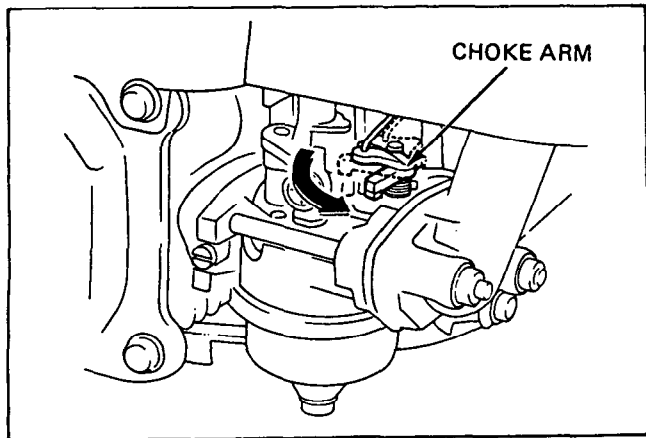
4. Clean away any dirt and grass from around the blade shaft.
5. Install the blade so that the blade bolts are securely tightened to the specified torque.

Torque: 5.0 - 6.0 kg-m (36.2 - 43.4 ft lb)



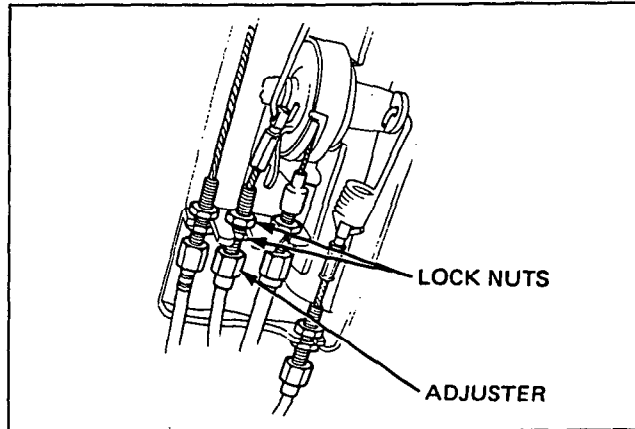
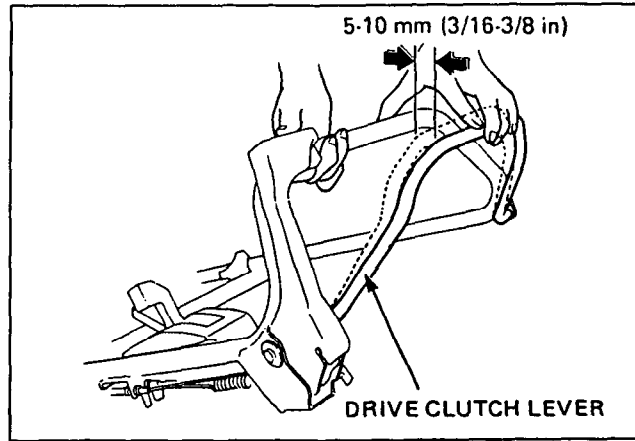
Throttle Control Cable Adjustment

1. With the throttle lever in the CHOKE position, the carburetor choke arm should move all the way to the right, as far as it will go. Push the choke arm with your finger to check whether it is all the way to the right.
2. If adjustment is necessary, loosen the control cable lock nuts, and move the adjuster up or down as required. Tighten the lock nuts, and recheck the carburetor choke arm position.
3. Start the engine, and make sure the engine stops when the throttle lever is moved to the STOP position. Readjust the cable if necessary.



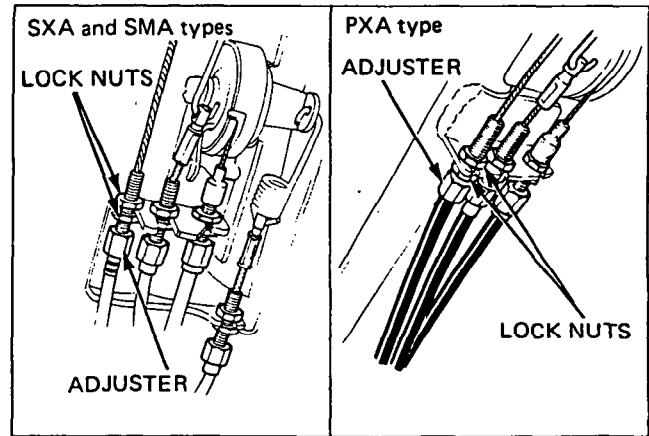
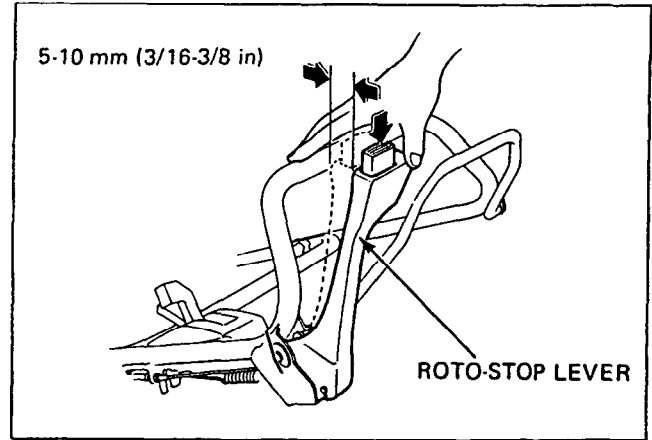
Drive Clutch Free Play (Self-propelled type only)

1. Measure free play at the top of the lever as shown; it should be between 5-10 mm (3/16-3/8 in).
2. If adjustment is necessary, loosen the lock nuts and move the adjuster up or down as required. Tighten the lock nuts and recheck free play.
3. Start the engine and check to be sure the drive clutch engages and releases properly.



ROTO-STOP Lever Free Play (All types)

1. Measure free play at the tip of the lever with the button pushed down, it should be between 5 - 10 mm (3/16 - 3/8 in).
2. If adjustment is necessary, loosen the lock nuts and move the adjuster up or down as required. Tighten the lock nuts and recheck free play.
3. Start the engine and operate the ROTO-STOP lever. Check to be sure the blade stops when the lever is released.

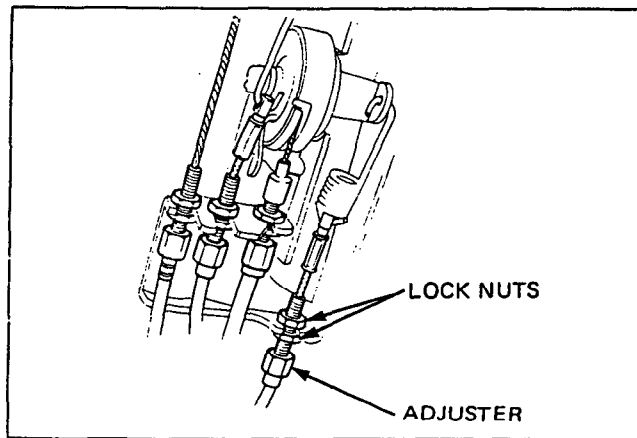
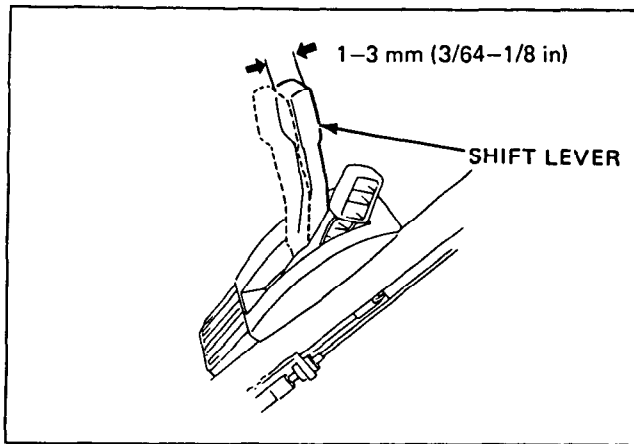


SHIFT Lever Free Play (Self-propelled type only)

1. Measure free play at the tip of the lever, it should be 1–3 mm (3/64–1/8 in).
2. If adjustment is necessary, loosen the lock nuts and turn them to run the adjuster up or down as required. Tighten the lock nuts and recheck free play.
3. Start the engine and operate the shift lever. Check for smooth transmission engagement.

CAUTION:

Never shift the transmission while self-propelling.

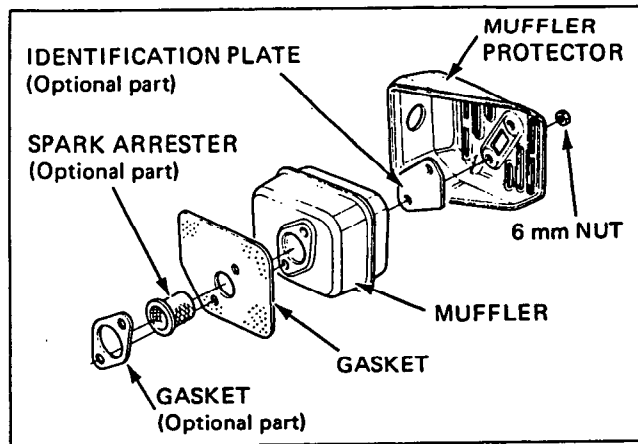


Spark Arrester Maintenance (Optional Part)

WARNING

If the mower has been running, the muffler will be very hot. Allow it to cool before proceeding.

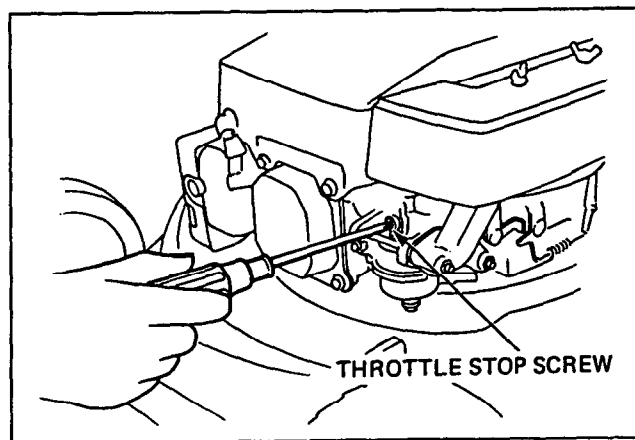
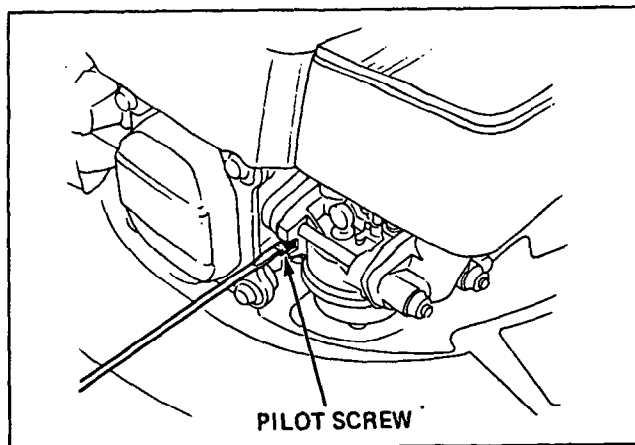
1. Remove the two 6 mm nuts and remove the muffler protector, identification plate, muffler and gasket.
2. Remove the spark arrester from the muffler. (Taking care not to damage the wire mesh.)
3. Check for carbon deposits around the exhaust port and the spark arrester, and clean if necessary.
4. Install spark arrester in the muffler.
5. Install gasket, muffler, identification plate, muffler protector and then tighten the two 6 mm nuts securely.



Carburetor Adjustment

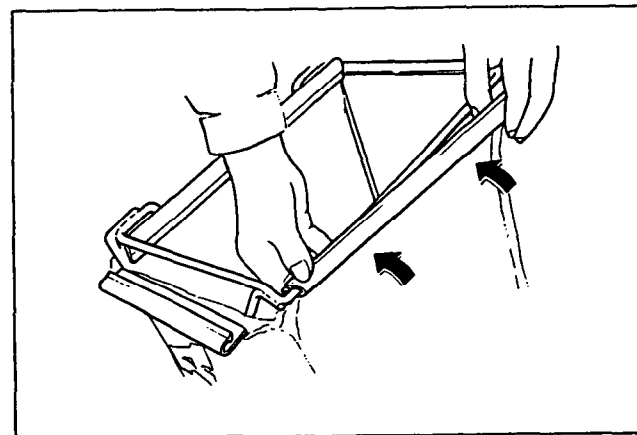
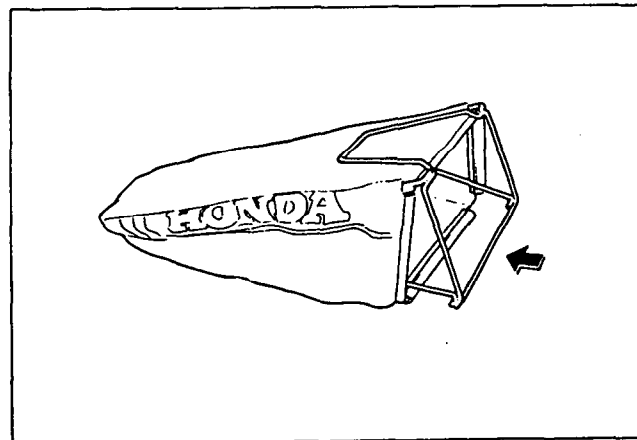
1. Start the engine and allow it to warm up to normal operating temperature.
2. Place the throttle lever in the LO position.
3. Turn the pilot screw in or out to the setting that produces the highest idle rpm. The correct setting will usually be approximately 3 turns out from the fully closed position.
4. After the pilot screw is correctly adjusted, turn the throttle stop screw to obtain the standard idle speed.

Standard idle speed: $2,000 \pm 150$ rpm



Grass Bag Assembly

1. Insert the bag frame into the grass bag as shown.
2. Hook the plastic edges of the grass bag onto the frame.



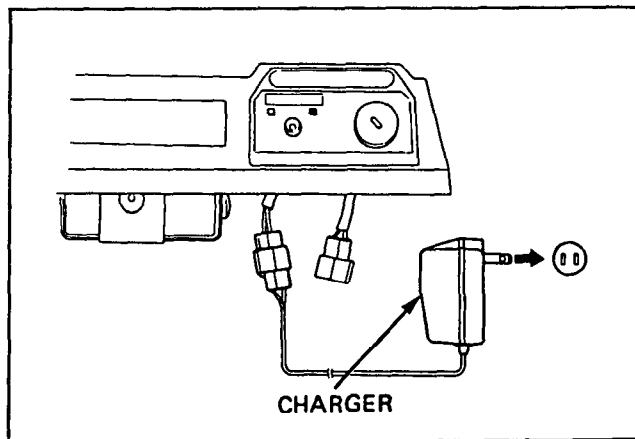
Battery Charging (SMA type only)

The battery will automatically recharge while the mower is operated. A plug-in charger is provided for supplemental charging if the mower is not operated frequently enough to keep the battery charged. Use the plug-in charger to recharge the battery after prolonged storage, or whenever you notice a decrease in starter motor speed.

1. Disconnect the 2P battery connector, located under the control box.
2. Connect the 2P battery connector to the charger supplied with the mower.
3. Plug the charger into a standard AC power outlet, and allow the battery to charge for 24 hours.

NOTE: The charger will become a little warm when charging, but this is normal.

4. When the battery has been charged, disconnect the charger, and reconnect the 2P connectors under the mower control box.



TROUBLESHOOTING

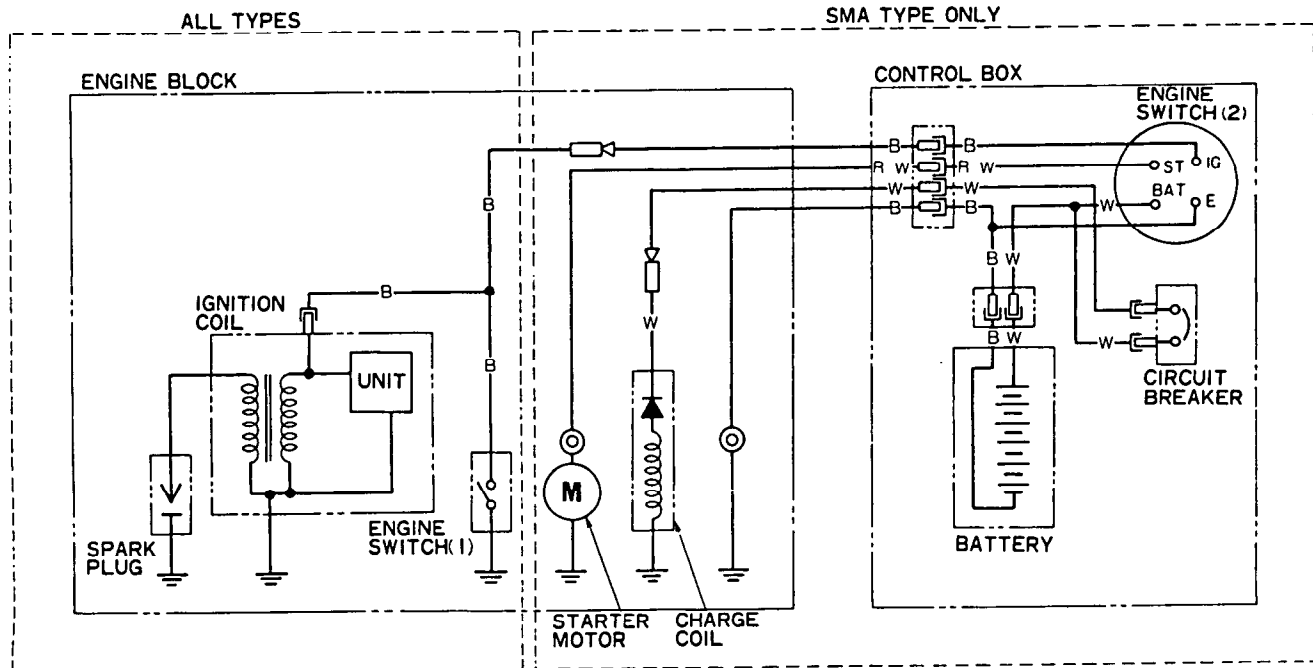
Engine will not start	<ol style="list-style-type: none">1. No fuel.2. Throttle lever in STOP position.3. Spark plug wire loose or disconnected.4. Spark plug faulty or improperly gapped (p. 29).5. Engine flooded (p. 19).6. Dirty air cleaner (p. 28).7. Battery discharged (p. 38).8. Circuit breaker tripped.
Hard starting or loss of power	<ol style="list-style-type: none">1. Dirt in gas tank (p. 28).2. Dirty air cleaner (p. 28).3. Water in gas tank or carburetor.4. Vent in gas cap and/or carburetor clogged.
Erratic operation	<ol style="list-style-type: none">1. Spark plug faulty or improperly gapped (p. 29).2. Dirty air cleaner (p. 28).
Engine overheats	<ol style="list-style-type: none">1. Spark plug improperly gapped (p. 29).2. Dirty air cleaner (p. 28).3. Dirty cooling fins.4. Low oil level (p. 12).5. Starter pulley clogged by grass, etc.
Excessive vibration	<ol style="list-style-type: none">1. Loose blade or engine mounting hardware (p. 30).2. Blade unbalanced.

SPECIFICATIONS

MODEL	HR214
ENGINE	GXV120
Engine type	Overhead valve, single-cylinder, forced air-cooled, four-stroke gasoline engine.
Displacement/Bore and stroke	118 cm ³ (7.2 cu in)/60 × 42 mm (2.4 × 1.7 in)
Ignition timing	25° ~ 27° BTDC
Ignition system	Transistor magneto ignition
Engine oil capacity	0.6 ℓ (0.63 US qt, 0.53 Imp qt)
Fuel tank capacity	1.0 ℓ (0.26 US gal, 0.22 Imp gal)
Spark plug	BP5ES, BPR5ES (NGK) or W16EP-U, W16EPR-U (ND)
FRAME	
Dimensions (Length × Width × Height)	PXA type : 1,700 × 570 × 1,070 mm (66.9 × 22.4 × 42.1 in) SXA type : 1,700 × 570 × 1,070 mm (66.9 × 22.4 × 42.1 in) SMA type : 1,700 × 570 × 1,070 mm (66.9 × 22.4 × 42.1 in)
Dry weight	PXA type : 40 kg (88.2 lb) SXA type : 43.5 kg (95.9 lb) SMA type : 47.5 kg (104.7 lb)
Grass bag capacity	73 ℓ (19.3 US gal, 16.1 Imp gal)
Cutting width	530 mm (21.0 in)

NOTE: Specifications are subject to change without notice.

WIRING DIAGRAM



B BLACK
 R RED
 W WHITE

WARRANTY SERVICE

Owner Satisfaction

Your satisfaction and goodwill are important to your dealer and to us. All Honda warranty details are explained in the Distributor's Limited Warranty. Normally, any problems concerning the product will be handled by your dealer's service department. If you have a warranty problem that has not been handled to your satisfaction, we suggest you take the following action:

- Discuss your problem with a member of dealership management. Often complaints can be quickly resolved at that level. If the problem has already been reviewed with the Service Manager, contact the owner of the dealership or the General Manager.
- If your problem still has not been resolved to your satisfaction, contact the Power Equipment Customer Relations Department of American Honda Motor Co., Inc.

American Honda Motor Co., Inc.
Power Equipment Customer Relations Department
P.O. Box 50
Gardena, California 90247-0805
Telephone: (213) 604-2400

We will need the following information in order to assist you:

- Your name, address, and telephone number
- Product model and serial number
- Date of purchase
- Dealer name and address
- Nature of the problem

After reviewing all the facts involved, you will be advised of what action can be taken. Please bear in mind that your problem will likely be resolved at the dealership, using the dealer's facilities, equipment, and personnel, so it is very important that your initial contact be with the dealer.

Your purchase of a Honda product is greatly appreciated by both your dealer and American Honda Motor Co., Inc. We want to assist you in every way possible to assure your complete satisfaction with your purchase.

MEMO

MEMO



HONDA

HONDA MOTOR CO., LTD. TOKYO, JAPAN

31VA3040
00X31-VA3-0400



K0
PRINTED IN JAPAN



5009012