

**HONDA**

**Power**

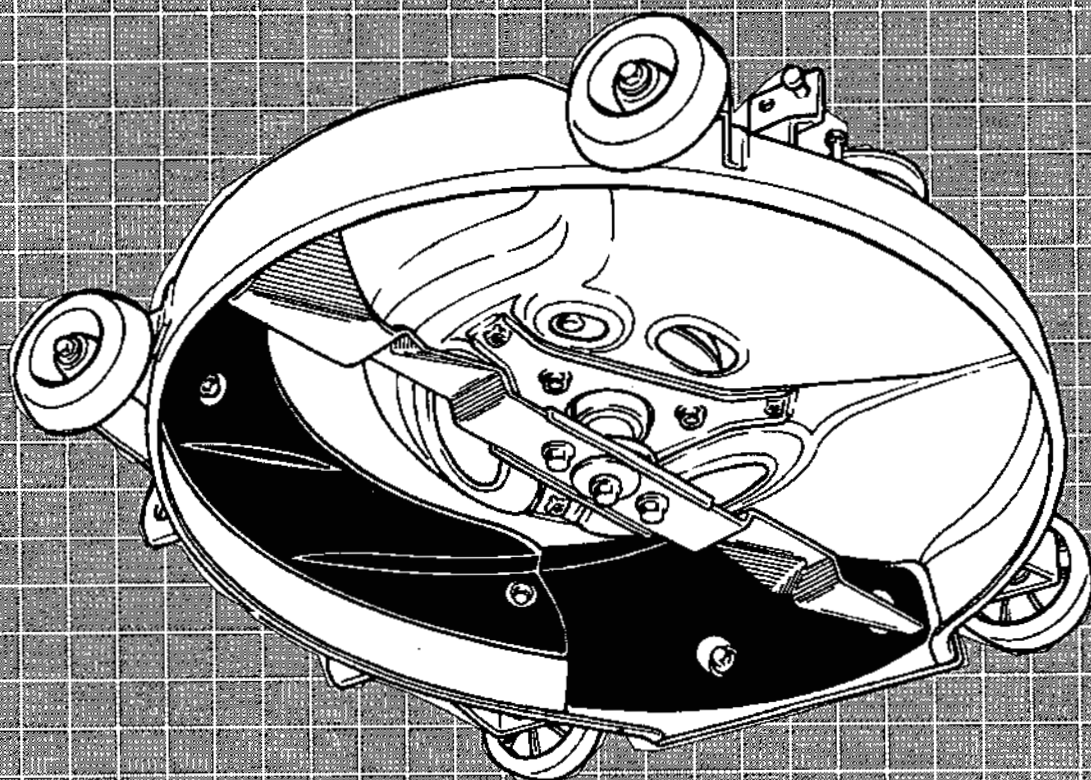
**Equipment**

# **OPERATOR'S MANUAL**

## **MULCHING KIT**

**H1000 AND H3000**

**SERIES RIDING MOWERS**




The information in this operator's manual is limited in application to Honda mulching kits for Honda H1000 and H3000 Series riding mowers. Before installing or operating this equipment, read this manual and the owner's manual supplied with the Honda riding mower.

All information in this publication is based on the latest H3000 Series product information available at the time of printing. Although there are physical differences between the H1000 and H3000 Series riders, the installation and operation of the mulching kit are the same. American Honda Motor Co., Inc. reserves the right to make changes at any time without notice and without incurring any obligation. No part of this publication may be reproduced without written permission.

This manual is a permanent part of the riding mower and must stay with the riding mower if resold.

### **Safety Messages**

Your safety and the safety of others are very important. We have provided important safety messages in this manual and on the riding mower. Please read these messages carefully.

A safety message alerts you to potential hazards that could hurt you or others. Each safety message is preceded by a safety alert symbol  and one of three words: DANGER, WARNING, or CAUTION.

These mean:



You **WILL** be **KILLED** or **SERIOUSLY HURT** if you don't follow instructions.



You **CAN** be **KILLED** or **SERIOUSLY HURT** if you don't follow instructions.



You **CAN** be **HURT** if you don't follow instructions.

Each message tells you what the hazard is, what can happen, and what you can do to avoid or reduce injury.

### **Damage Prevention Messages**

You will also see other important messages that are preceded by the word NOTICE.

This word means:



Your equipment or other property can be damaged if you don't follow instructions.

The purpose of these messages is to help prevent damage to the riding mower, other property, or the environment.

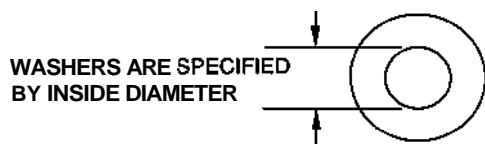
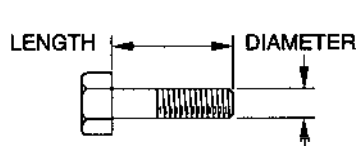
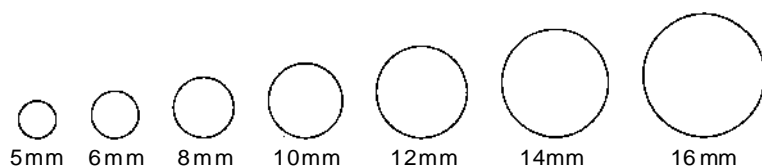
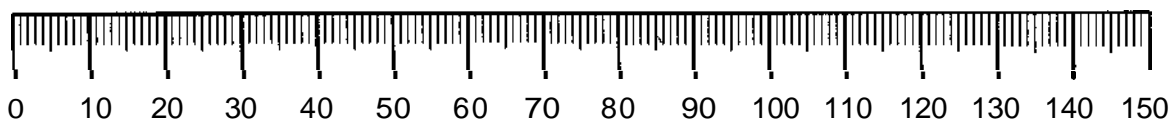
# 1. DEALER INSTALLATION INSTRUCTIONS

The installation of this kit must be performed by an authorized Honda riding mower dealer. These instructions are provided for dealer use.

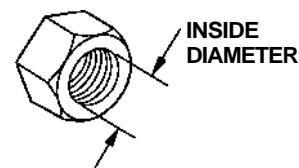
**FOLLOW THESE INSTRUCTIONS CAREFULLY.** Proper installation of this kit is essential for safe, reliable operation. Poor operation is a major cause of customer dissatisfaction. Your customer expects this kit to be correctly installed, adjusted, and ready to use.

How to measure hardware and components:

MILLIMETERS



NUTS ARE SPECIFIED BY INSIDE DIAMETER (AT THREAD DEPTH)

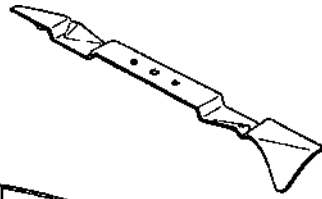


NUT AND BOLT DIAMETER	TORQUE VALUES		
	ft-lb	kg-m	N•m
6 mm nuts and bolts	7.2	1.0	10
8 mm nuts and bolts	15.2	2.1	21
10 x 28 mm flange bolt (blade)	36.2	5.0	49
12 x 25 mm flange bolts ( blade holder)	61.5	8.5	83

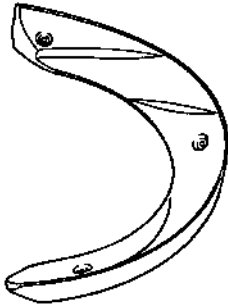
# 1. DEALER INSTALLATION INSTRUCTIONS

## MULCHING KIT CONTENTS

### Mulching Blade



### Swirl Guide A



### Swirl Guide B



### Cover Plate



### 6x40mm Flange Bolts (2)



### 6x55mm Flange Bolt (1)



### 8 x 35 mm Flange Bolts (2)



### 6 mm Flat Washers (6)



### 8 mm Flat Washers (4)



### 6 mm Lock Nuts (3)



### 8 mm Lock Nuts (4)

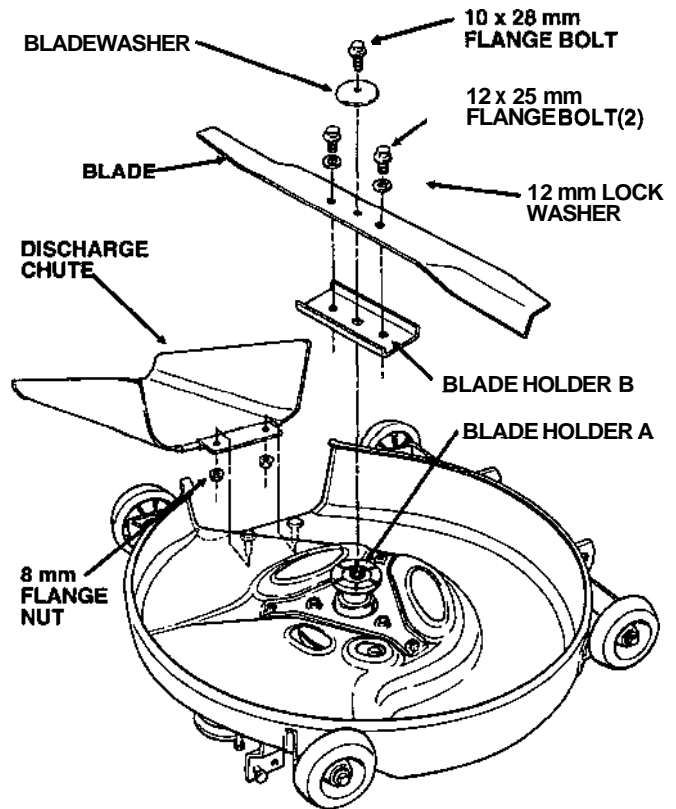


## MULCHING KIT INSTALLATION

The mower deck must be removed from the riding mower to install the mulching kit. Refer to deck removal and installation instructions in the owner's manual or shop manual.

Installation requires drilling additional bolt holes. For your safety, wear eye protection when operating power tools.

1. Remove the blade, blade holder, and discharge chute (or lower chute if equipped with the grass-bagging kit). Use a wooden block to prevent the blade from turning when removing the bolts.

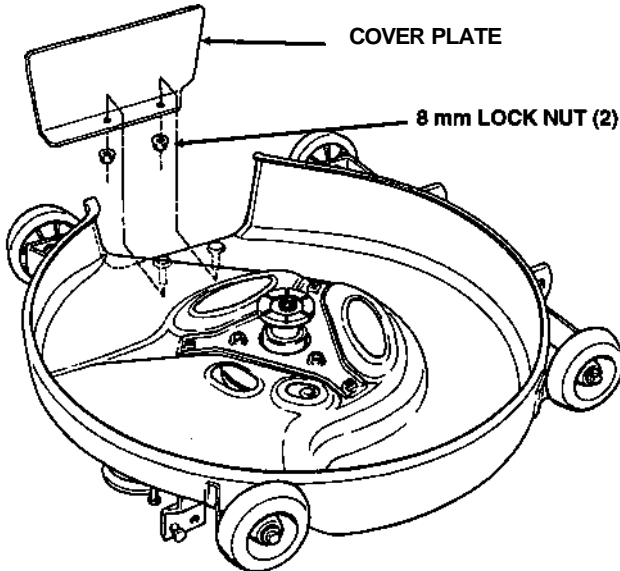


H3000 Series Model Shown

2. Clean and inspect the mower deck. The deck must be free of dents and deformities for the mulching kit to fit properly.

## 1. DEALER INSTALLATION INSTRUCTIONS

- Temporarily install the cover plate on the mower deck, using two 8 mm lock nuts.



- Hold swirl guide B against the cover plate.

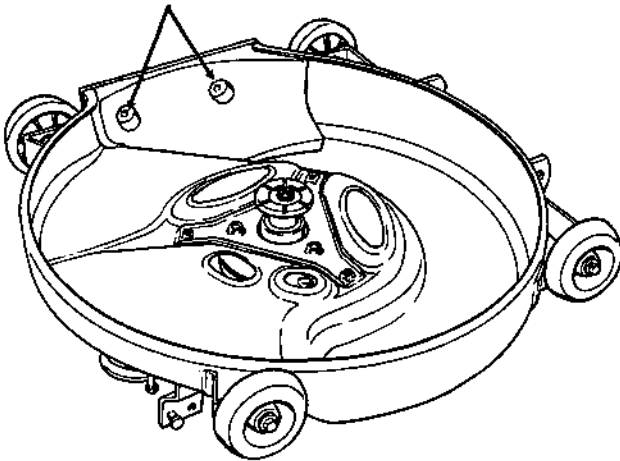
Insert a pencil through the holes in swirl guide B to mark drilling points on the cover plate.

Remove the cover plate from the mower deck. Center punch and drill the cover plate at the pencil marks.

Use an 11/32 inch (8.4 - 8.7 mm) drill. Wear eye protection when drilling.

Remove any burrs from the holes.

SWIRL GUIDE B HOLES

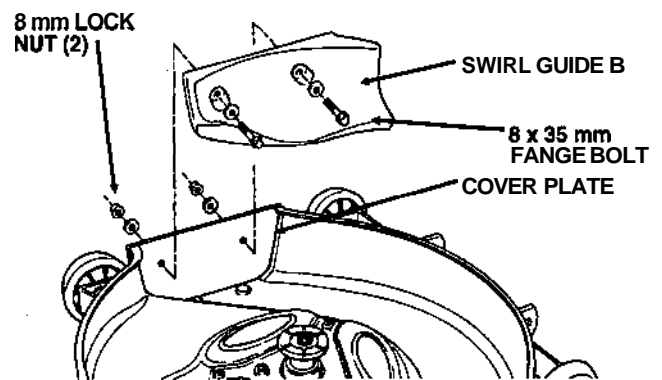


- Install the cover plate on the mower deck, using two 8 mm lock nuts.

Attach swirl guide B to the cover plate, using two 8 x 35 mm flange bolts, 8 mm flat washers, and 8 mm lock nuts.

Install the bolts from inside the mower deck. Install the nuts outside the mower deck. Use washers on both sides, as shown.

Tighten all 8 mm nuts and bolts to a torque value of 15.2 ft-lb (2.1 kg-m).

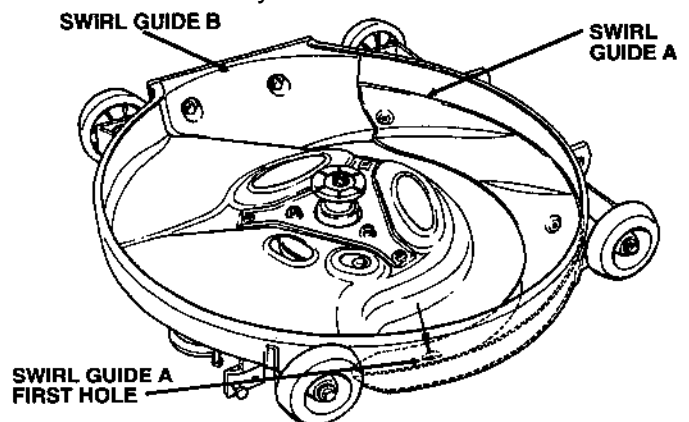


- Place swirl guide A in the mower deck, with one end against swirl guide B.

While holding swirl guide A in place, drill the first hole in the mower deck, using the hole in swirl guide A as a drill guide.

Use a 1/4 inch (6.2 - 6.4 mm) drill. Wear eye protection when drilling.

Remove any burrs from the hole.

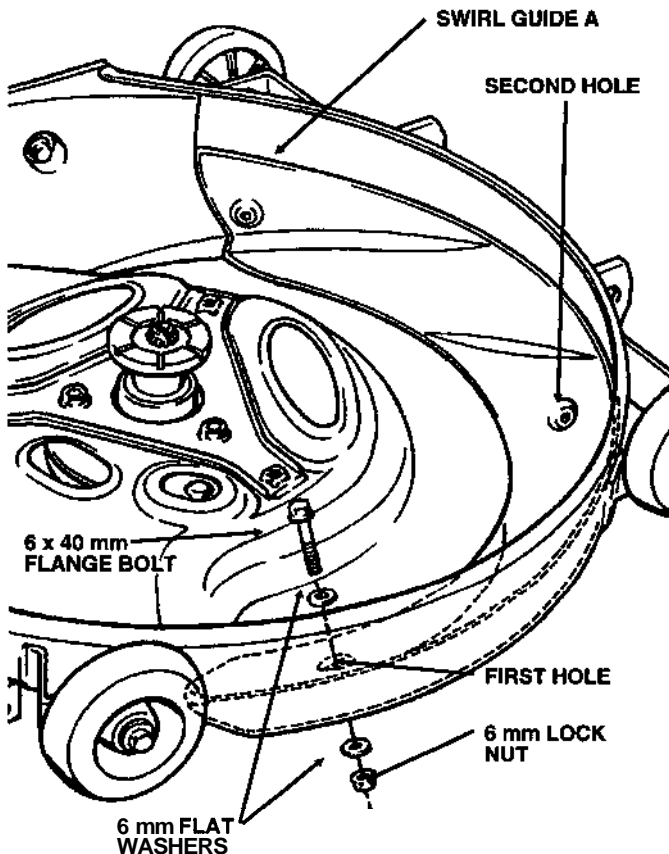


## 1. DEALER INSTALLATION INSTRUCTIONS

7. Install a 6 x 40 mm flange bolt, 6 mm washers, and a 6 mm lock nut in the first hole, as shown.

Tighten the 6 mm nut and bolt to a torque value of 7.2 ft-lb (1.0 kg-m).

To assure a good fit, mower deck holes must be drilled in sequence, and swirl guide A must be secured with nuts and bolts before drilling the next hole.



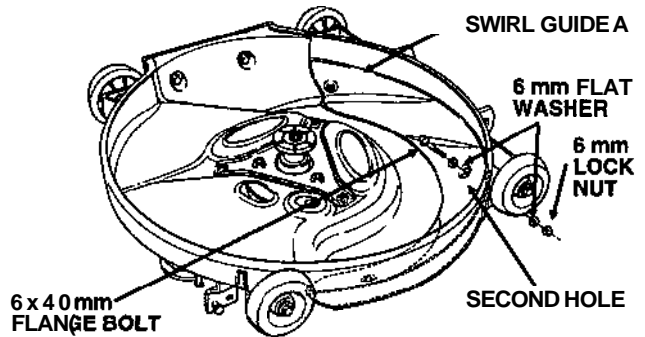
8. Drill the second hole in the mower deck, using the hole in swirl guide A as a drill guide.

Use a 1/4 inch (6.2 - 6.4 mm) drill. Wear eye protection when drilling.

Remove any burrs from the hole.

9. Install a 6 x 40 mm flange bolt, 6 mm washers, and a 6 mm lock nut in the second hole, as shown.

Tighten the 6 mm nut and bolt to a torque value of 7.2 ft-lb (1.0 kg-m).



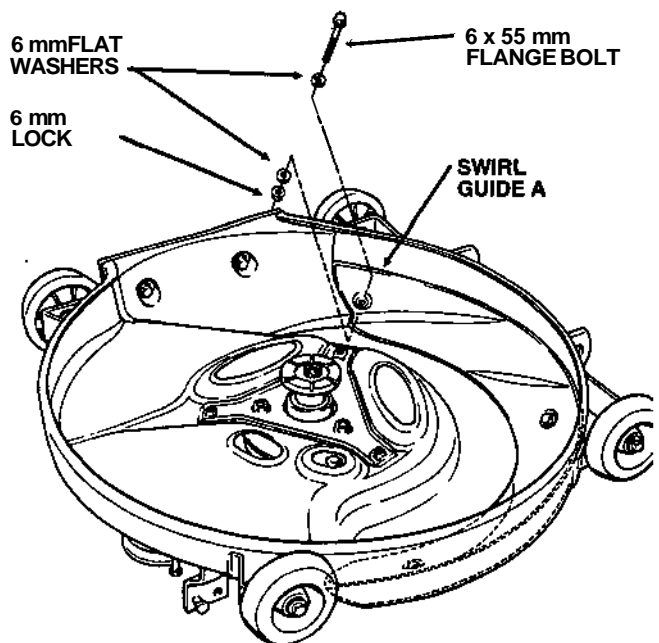
10. Drill the third hole in the mower deck, using the hole in swirl guide A as a drill guide.

Use a 1/4 inch (6.2 - 6.4 mm) drill. Wear eye protection when drilling.

Remove any burrs from the hole.

11. Install a 6 x 55 mm flange bolt, 6 mm washers, and a 6 mm lock nut in the third hole, as shown.

Tighten the 6 mm nut and bolt to a torque value of 7.2 ft-lb (1.0 kg-m).



12. Install the mulching blade, using the original blade holder and hardware.

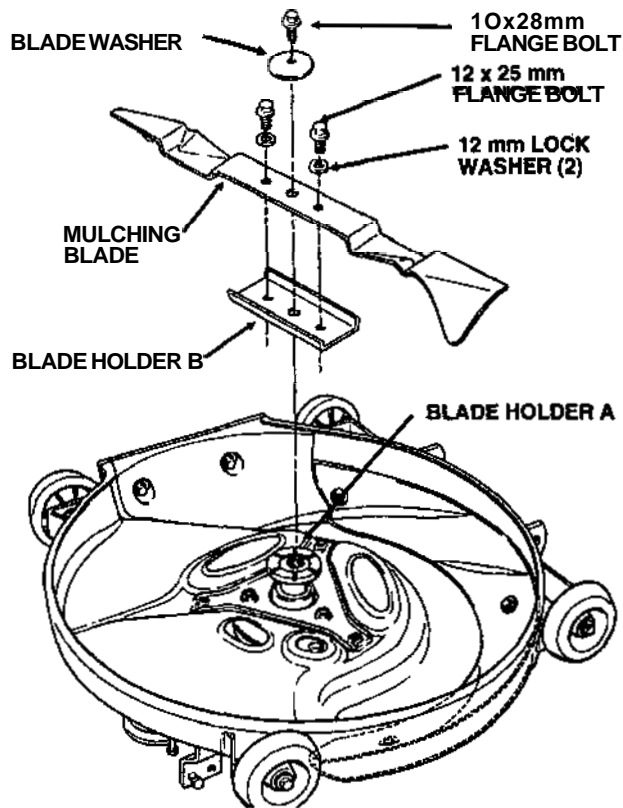
Be sure the blade is positioned right side up (outer edges turn toward the mower deck). If the blade is installed upside down, it cannot cut properly.

The blade bolts are specially designed for this application and must not be replaced with any other bolts.

Use a wooden block to prevent the blade from turning when tightening the bolts.

Tighten the 10 x 28 mm flange bolt to a torque value of 36.2 ft-lb (5.0 kg-m).

Tighten the 12 x 25 mm flange bolts to a torque value of 61.5 ft-lb (8.5 kg-m).

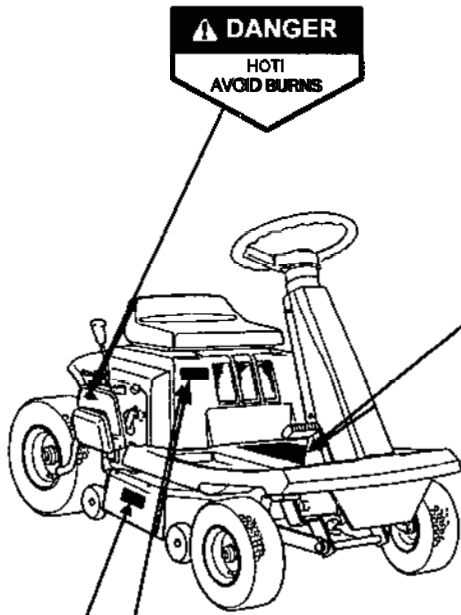




## 2. SAFETY

### SAFETY LABEL LOCATIONS (H3000 SERIES)

Read all safety instructions before operating the riding mower.



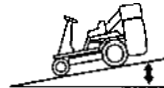
**⚠ DANGER**  
HOT!  
AVOID BURNS

### ⚠ WARNING

OPERATOR ONLY. NO PASSENGERS  
OPERATION ON PUBLIC STREETS OR  
HIGHWAYS IS ILLEGAL.

MOWER CAN THROW OBJECTS:  
BEFORE MOWING, CLEAR LAWN OF ALL  
STICKS, ROCKS, AND OTHER DEBRIS.  
KEEP PEOPLE AND PETS AWAY.



AVOID TIPOVERS:  
REDUCE SPEED WHEN TURNING OR  
OPERATING ON SLOPES  
MAXIMUM SAFE OPERATING ANGLE IS  
10 DEGREES  
(17% GRADE)



MOWER BLADE MAY CAUSE INJURY :  
STOP ENGINE BEFORE REMOVING GRASS  
BAG OR CLEANING DISCHARGE CHUTE.

### OPERATION

#### STARTING ENGINE

1. MOVE PTO LEVER TO "OFF"
2. MOVE TRANSMISSION SHIFT LEVER TO "N"
3. MOVE THROTTLE LEVER TO "START (CHOKE)"
4. TURN IGNITION KEY TO "START" AND ALLOW ENGINE TO WARM UP.
5. SET THROTTLE LEVER BETWEEN  AND .

#### OPERATING

1. DEPRESS BRAKE AND SET TRANSMISSION SHIFT LEVER TO DESIRED RANGE.
2. RELEASE BRAKE PEDAL TO START MOWER MOVING.
3. RELEASE PARKING BRAKE.

#### STOPPING ENGINE

1. MOVE PTO LEVER TO "OFF" AND TRANSMISSION SHIFT LEVER TO "N"
2. SET PARKING BRAKE
3. TURN IGNITION KEY TO "OFF"

### ⚠ CAUTION

#### PREVENT BRAKE FAILURE

- DISENGAGE PARKING BRAKE WHEN BUZZER SOUNDS CONTINUOUSLY
- A DELAYED ENGINE CUTOFF WILL STOP THE ENGINE IF PARKING BRAKE IS NOT RELEASED.

### ⚠ WARNING

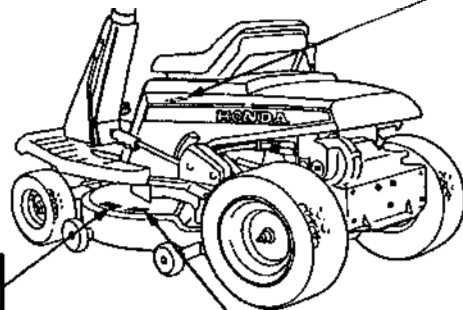
GASOLINE IS FLAMMABLE.  
STOP ENGINE, AVOID HEAT,  
SPARKS, AND OPEN FLAME  
WHEN REFUELING.

### ⚠ DANGER



#### SHARP BLADE

You will be seriously cut  
by the rotating blade.  
Keep hands and feet away  
when engine is running.



### ⚠ WARNING

WEAR HEAVY GLOVES TO PROTECT YOUR HANDS.  
KEEP HANDS FROM BETWEEN THE PULLEYS :  
THE TENSIONER PULLEY COULD SNAP BACK AND  
CAUSE SERIOUS HAND INJURY.

### ⚠ CAUTION

TO PREVENT DAMAGE TO THE PULLEYS, GRASP THE  
KNOB FIRMLY AND RETURN THE TENSIONER ARM  
SLOWLY.

### ⚠ DANGER



#### SHARP BLADE

You will be seriously cut  
by the rotating blade.  
Keep hands and feet away  
when engine is running.




**SAFETY LABEL LOCATIONS (H1000 SERIES)**

Read all safety instructions before operating the riding mower.

**⚠ WARNING**

- Improperly driving on slopes or uneven terrain can cause the mower to tip over and you can be seriously hurt or killed. Read "Safe Mowing Practices" in the Owner's Manual carefully.
- Objects hidden in the lawn can be thrown by the blade and can cause serious injury. Read "Mower Safety" and "Safe Mowing Tips" in your Owner's Manual carefully.
- The rotating blade can cause serious injury.
  - Keep hands and feet away from mower deck
  - Stop engine before leaving operator's position.
- Do not allow children to ride as passengers. They can fall or be thrown off causing serious injury or death. Read "Child Safety" in the Owner's Manual carefully.


**⚠ WARNING**



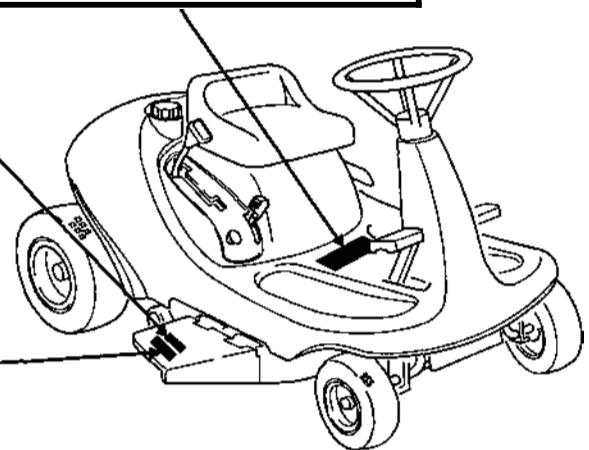
Objects hidden in the lawn can be thrown by the mower blade. Thrown objects can cause serious injury.

- Clean lawn of all debris before mowing.
- Do not operate the mower without either the discharge guard or the entire grass catcher in place.
- Wear eye protection.
- Keep people away while mowing.


**⚠ DANGER**



**SHARP BLADE**  
You will be seriously cut by the rotating blade. Keep hands and feet away when engine is running.



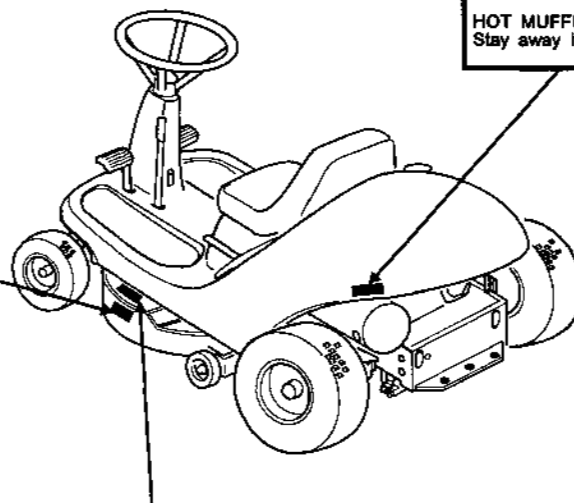
**⚠ DANGER**



**SHARP BLADE**  
You will be seriously cut by the rotating blade. Keep hands and feet away when engine is running.

**⚠ CAUTION**

**HOT MUFFLER CAN BURN YOU.**  
Stay away if engine has been running.



**⚠ CAUTION**

The tension pulley is under spring pressure. When you relieve pressure on the belt, the pulley can snap back on your hand or fingers.

- Wear heavy gloves to protect your hands.
- Keep hands from between pulleys.

### 3. MOWING AND MULCHING RECOMMENDATIONS

---

#### GRASS CUTTING BASICS

##### Cutting Height

A cutting height setting of 1-1/2 or 2 inches is appropriate for most lawns during cool weather. A higher cut may be needed to protect the lawn during hot summer months. Consult a local nursery or lawn and garden center for advice about specific types of grasses and growing conditions in your area.

Most grasses should be cut when they have grown 1/2 to 1 inch above the recommended height. If your grass gets too tall, cut it back a little at a time, allowing a few days for the grass to recover between mowings. Avoid cutting more than one third of total grass height in any one mowing.

For best mulching results, mow the lawn frequently enough that you will need to cut off less than one inch. Frequent mowing, with light cuts, makes it easier for your mulching mower to turn grass clippings into fine particles that will fall through the turf and decompose quickly.

##### Cutting Width

For an even lawn finish, overlap each mowing swath by a few inches. If the grass is very tall or thick, use more overlap and a narrower mowing swath. If clogging or clumping occurs, you may also need to mow more slowly or raise the cutting height setting.

##### Blade Speed

For best performance, the blade must spin very fast. Always use the fast throttle setting, and keep the engine running at or near maximum rpm. If you hear engine speed decrease, mow more slowly, cut a narrower swath, or raise the cutting height setting.

##### Blade Sharpness

Keep the blade sharp. A sharp blade cuts cleanly. A dull blade tears the grass, leaving shredded ends that turn brown.

##### Moisture

Always wait for wet grass to dry. Wet grass clippings will clog the mower deck and collect in clumps on the lawn.

If the soil is very dry, mowing can stir up a lot of dust. Besides being unpleasant to work in, too much dust will clog the carburetor air filter. If dust is a problem, water your lawn the day before mowing. Mow when the grass dries, and the soil is still moist.

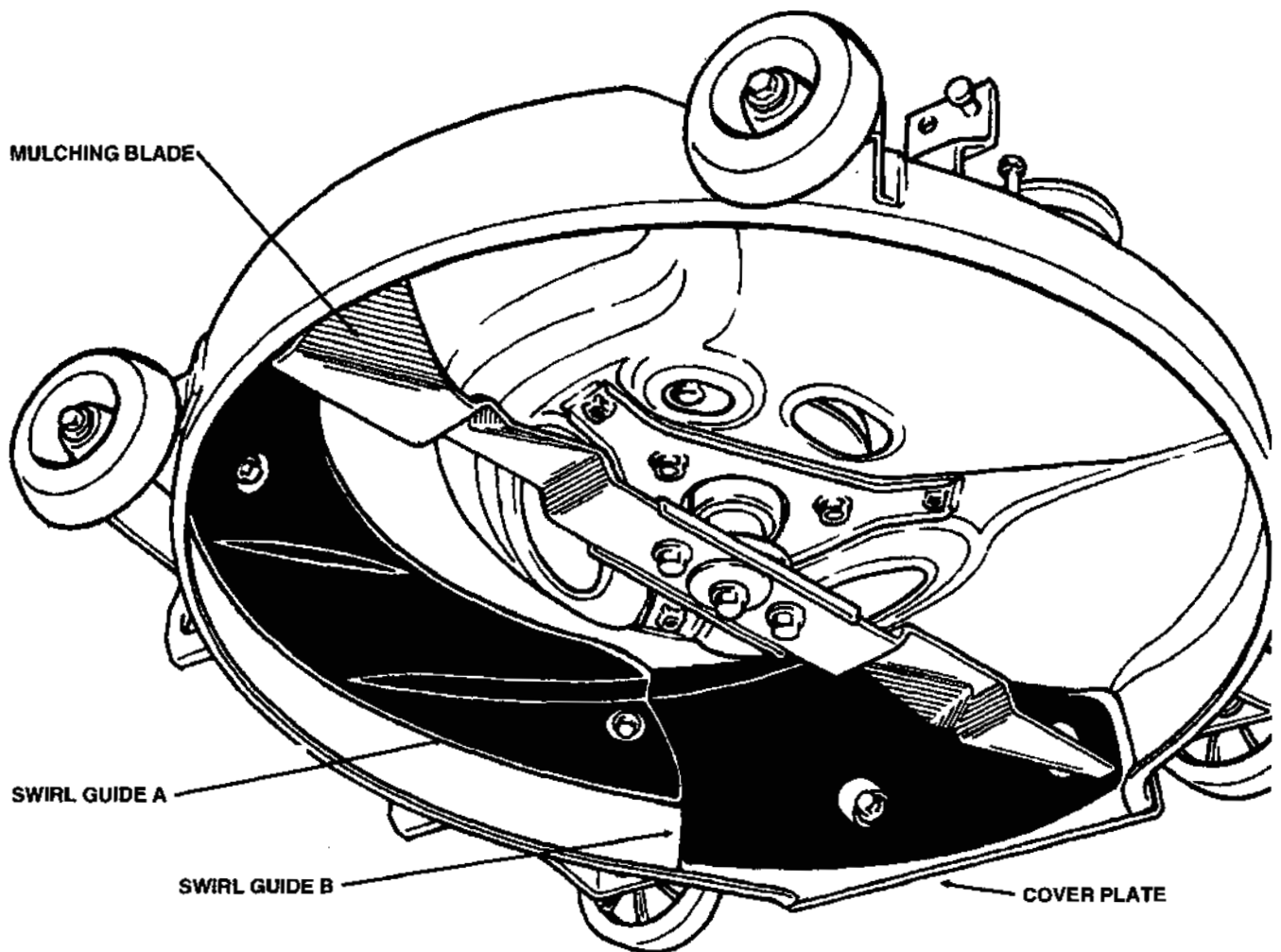
#### MULCHING

Mulching cuts grass clippings and fallen leaves into fine particles that fall through the turf and decompose quickly. This returns nutrients to the soil and reduces the need for raking, bagging, and disposal.

For best mulching results, mow the lawn frequently, cutting off less than one inch of grass each time. In growing season, you will probably need to mow the lawn twice a week.

This mulching kit closes the discharge port in the mower deck and adds swirl guides that help to recirculate grass clippings through the special mulching blade.

Dealer installation is necessary, because the mower deck and mulching cover plate must be precisely drilled for swirl guide attachment. After the initial installation, the cover plate and swirl guide B can be easily removed, if you decide to convert the mower deck for side-discharge or bagging use.



H3000 Series Model Shown

### 3. MOWING AND MULCHING RECOMMENDATIONS

#### SIDE-DISCHARGE MOWING

Side-discharge mowing should be considered where grass has grown too tall to mulch easily. Side-discharge mowing will leave grass clippings on top of the mowed areas and may need to be removed by raking. Heavy clumps of clippings should always be removed; grass must remain uncovered to grow properly.

For side-discharge mowing, you must remove the mower deck cover plate and swirl guide B, then install the original discharge chute. It is not necessary to remove or replace other parts of the mulching kit.

#### **⚠ WARNING**

Objects thrown by the blades can cause serious injury. Disengage the Power Take Off (PTO) and shut off the engine, before removing and installing parts.

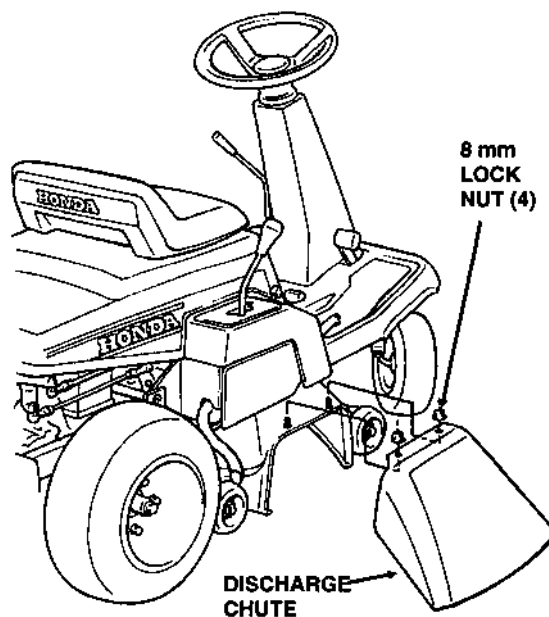
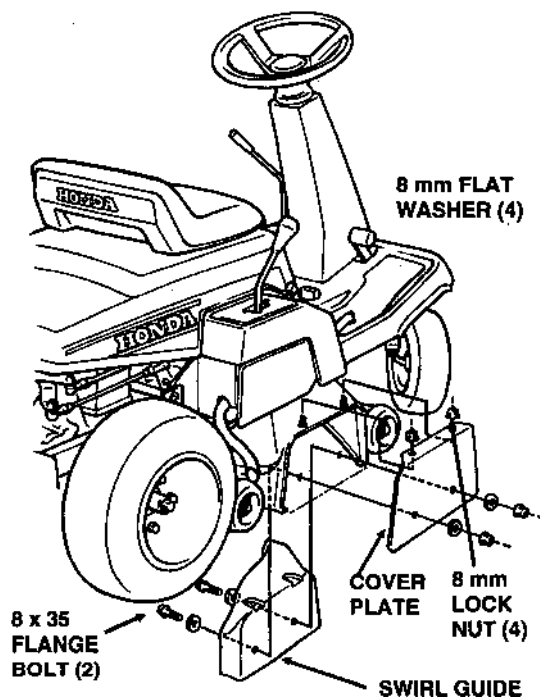
Before operating the riding mower, be sure the mower deck cover plate or the discharge chute is properly installed.

#### **Conversion for Side-Discharge Mowing:**

1. Lower the mower deck, and remove the two 8 mm lock nuts from the top of the cover plate.
2. Raise the mower deck, and remove the two 8 x 35 mm bolts, two nuts, and four washers from the side of the cover plate.
3. Remove the cover plate and swirl guide B.
4. Install the original discharge chute, using the two 8 mm lock nuts.
5. Tighten the 8 mm lock nuts to a torque value of 15.2 ft-lb (2.1 kg-m).

#### **Cover Plate Reinstallation for Mulching:**

1. Lower the mower deck, and remove the two 8 mm lock nuts from the discharge chute. Remove the chute.
2. Install the cover plate on the mower deck, using the two 8 mm lock nuts. Tighten the 8 mm lock nuts to a torque value of 15.2 ft-lb (2.1 kg-m).
3. Raise the mower deck, and install swirl guide B on the cover plate, using two 8 x 35 mm bolts, four 8 mm flat washers, and two 8 mm lock nuts, as shown. Tighten the 8 mm nuts and bolts to a torque value of 15.2 ft-lb (2.1 kg-m).



**BAGGING**

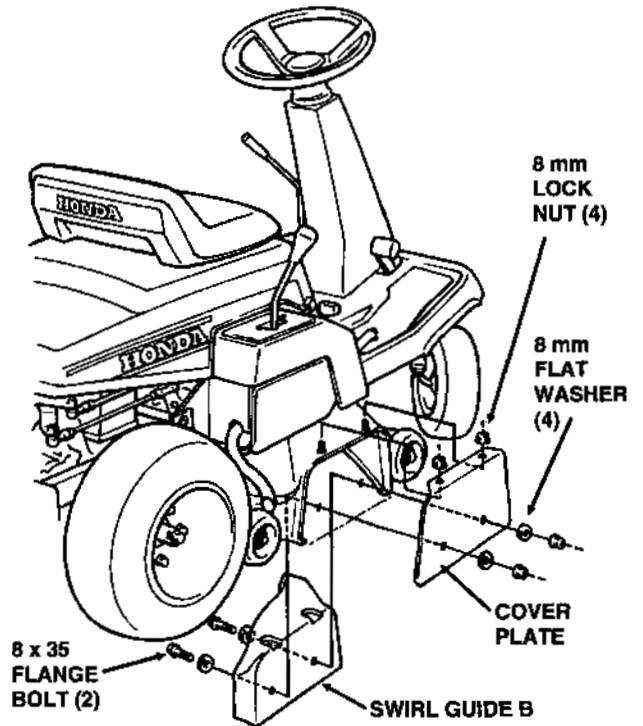
Bagging should be considered for areas where you want the lawn to be clear of loose particles, such as around swimming pools, and for less frequently mowed areas, where grass has grown too tall to mulch easily.

For bagging, you must remove the mower deck cover plate and swirl guide B, then install the bagging kit. It is not necessary to remove or replace other parts of the mulching kit, but a high-lift blade can be installed to increase bagging performance if desired.

**⚠ WARNING**

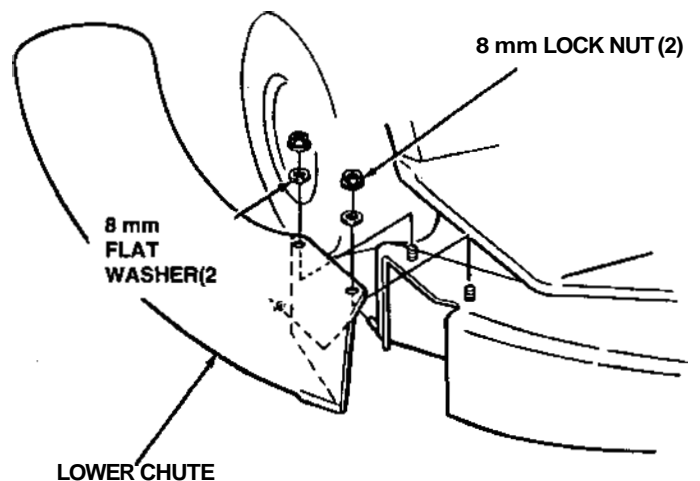
Objects thrown by the blades can cause serious injury. Disengage the Power Take Off (PTO) and shut off the engine, before removing and installing parts.

Before operating the riding mower, be sure the mower deck cover plate or the bagging kit is properly installed.



**Conversion for Bagging:**

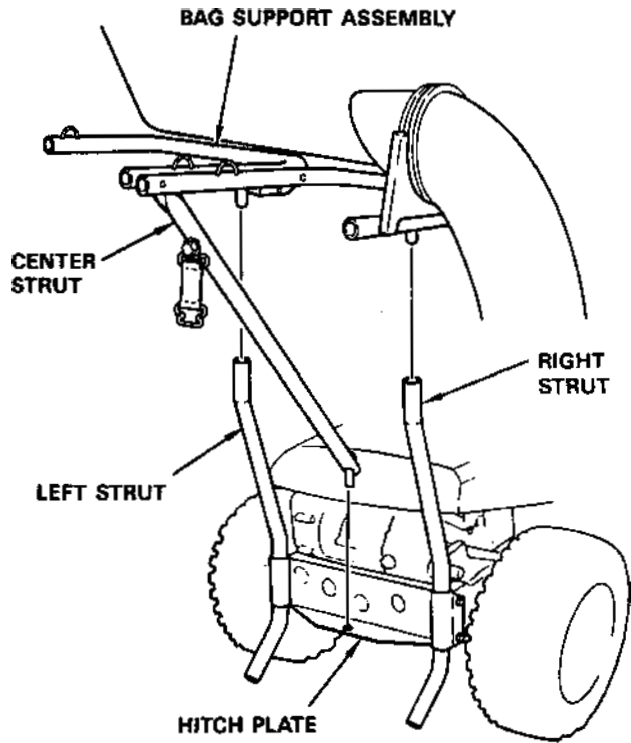
1. Lower the mower deck, and remove the two 8 mm lock nuts from the top of the cover plate.
2. Raise the mower deck, and remove the two 8 x 35 mm bolts, two nuts, and four washers from the side of the cover plate.
3. Remove the cover plate and swirl guide B.
4. Install the bagging kit lower chute, using two 8 mm lock nuts and flat washers. Tighten the 8 mm lock nuts to a torque value of 15.2 ft-lb (2.1 kg-m).



### 3. MOWING AND MULCHING RECOMMENDATIONS

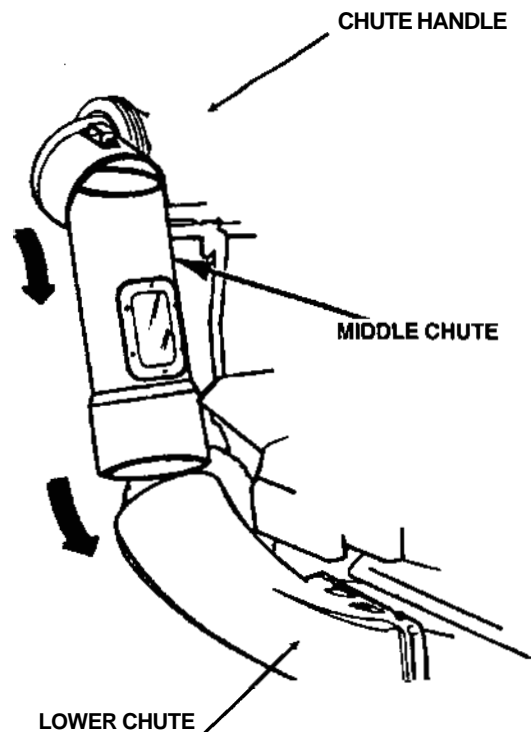
---

5. Install the bag support assembly on the left and right struts, while inserting the center strut pin in the the hitch plate hole.
6. Grasp the upper chute by the chute handle. Raise the upper and middle chutes, then slide the middle chute over the lower chute.
7. Install the grass bags, and secure the hopper top with its retaining band.

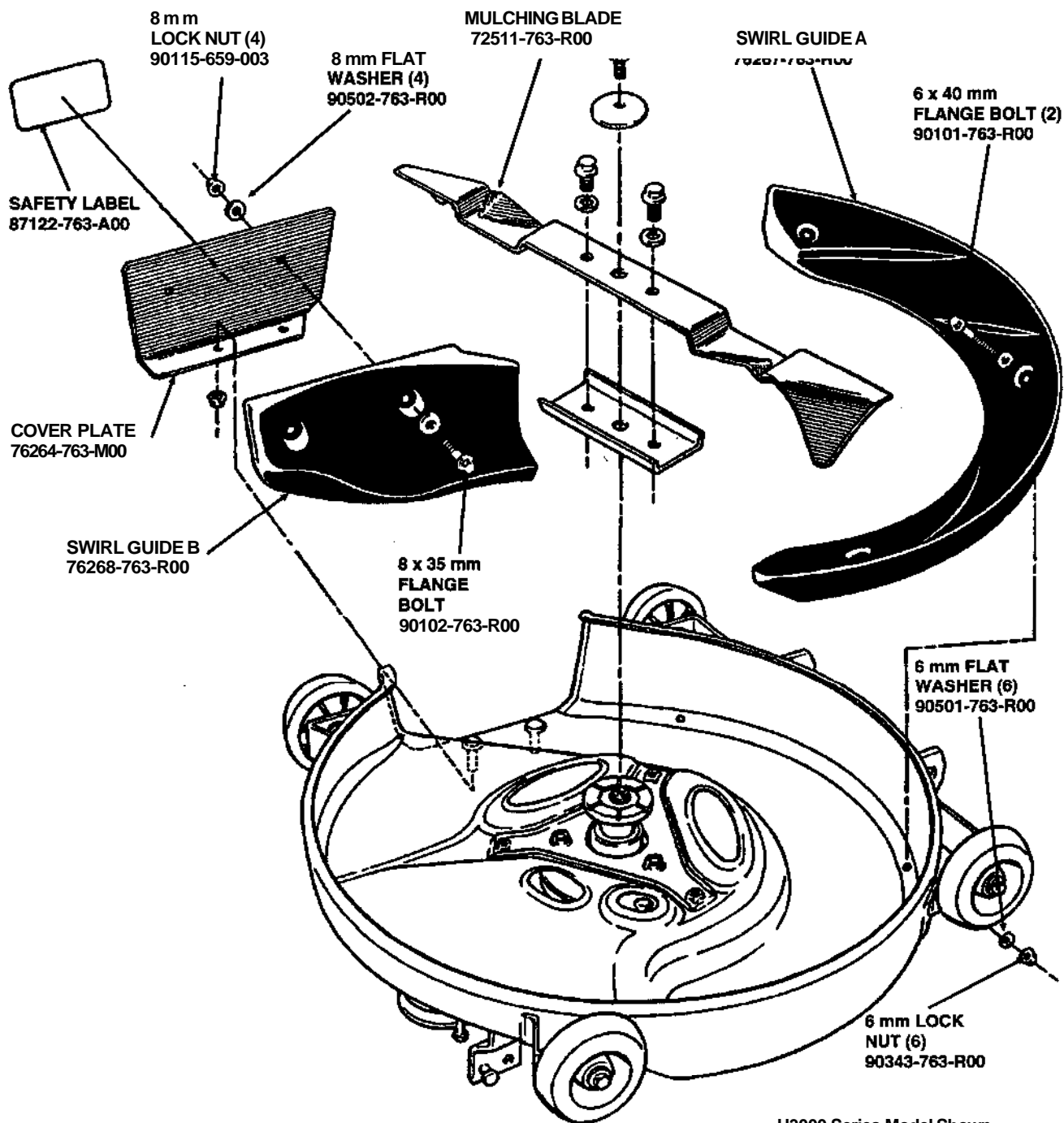


#### Cover Plate Reinstallation for Mulching:

1. Remove the bagging kit in the reverse order of installation.
2. Install the cover plate, using the two 8 mm lock nuts. Refer to the illustration on page 10. Tighten the 8 mm nuts to a torque value of 15.2 ft-lb (2.1 kg-m).
3. Install swirl guide B on the cover plate, using two 8 x 35 mm bolts, four 8 mm flat washers, and two 8 mm lock nuts, as shown. Tighten the 8 mm nuts and bolts to a torque value of 15.2 ft-lb (2.1 kg-m).



MULCHING KIT: Part Number 06764-763-R00



H3000 Series Model Shown



## 5. WARRANTY SERVICE

---

### OWNER SATISFACTION

Your satisfaction and good will are important to your dealer and to us. All Honda warranty details are explained in the Distributor's Limited Warranty. Normally any problems concerning the product will be handled by your dealer's service department. If you have a warranty problem that has not been handled to your satisfaction, we suggest you take the following action:

- Discuss your problem with a member of the dealership management. Often complaints can be quickly resolved at that level. If the problem has already been reviewed with the Service Manager, contact the owner of the dealership or the General Manager.
- If your problem still has not been resolved to your satisfaction, contact the Power Equipment Customer Service Department of American Honda Motor Co., Inc.

American Honda Motor Co., Inc.  
Power Equipment Customer Service Department  
4475 River Green Pkwy.  
Duluth, Georgia 30136  
Telephone: (404) 497-6400

We will need the following information to assist you:

- Your name, address, and telephone number
- Product model and serial number
- Date of purchase
- Dealer name and address
- Nature of problem

After reviewing all the facts involved, you will be advised of what action can be taken. Please bear in mind that your problem will likely be resolved at the dealership, using the dealer's facilities, equipment, and personnel, so it is very important that your initial contact be with the dealer.

Your purchase of a Honda product is greatly appreciated by both your dealer and American Honda Motor Co., Inc. We want to assist you in every way possible to assure your satisfaction with your purchase.

## **Current customer service contact information:**

### **United States, Puerto Rico, and U.S. Virgin Islands:**

Honda Power Equipment dealership personnel are trained professionals. They should be able to answer any question you may have. If you encounter a problem that your dealer does not solve to your satisfaction, please discuss it with the dealership's management. The Service Manager or General Manager can help. Almost all problems are solved in this way.

If you are dissatisfied with the decision made by the dealership's management, contact the Honda Power Equipment Customer Relations Office. You can write:

American Honda Motor Co., Inc.  
Power Equipment Division  
Customer Relations Office  
4900 Marconi Drive  
Alpharetta, GA 30005-8847

Or telephone: (770) 497-6400 M-F, 8:30 am - 5:00 pm EST

When you write or call, please provide the following information:

- Model and serial numbers
- Name of the dealer who sold the Honda power equipment to you
- Name and address of the dealer who services your equipment
- Date of purchase
- Your name, address, and telephone number
- A detailed description of the problem

H/C 4725453