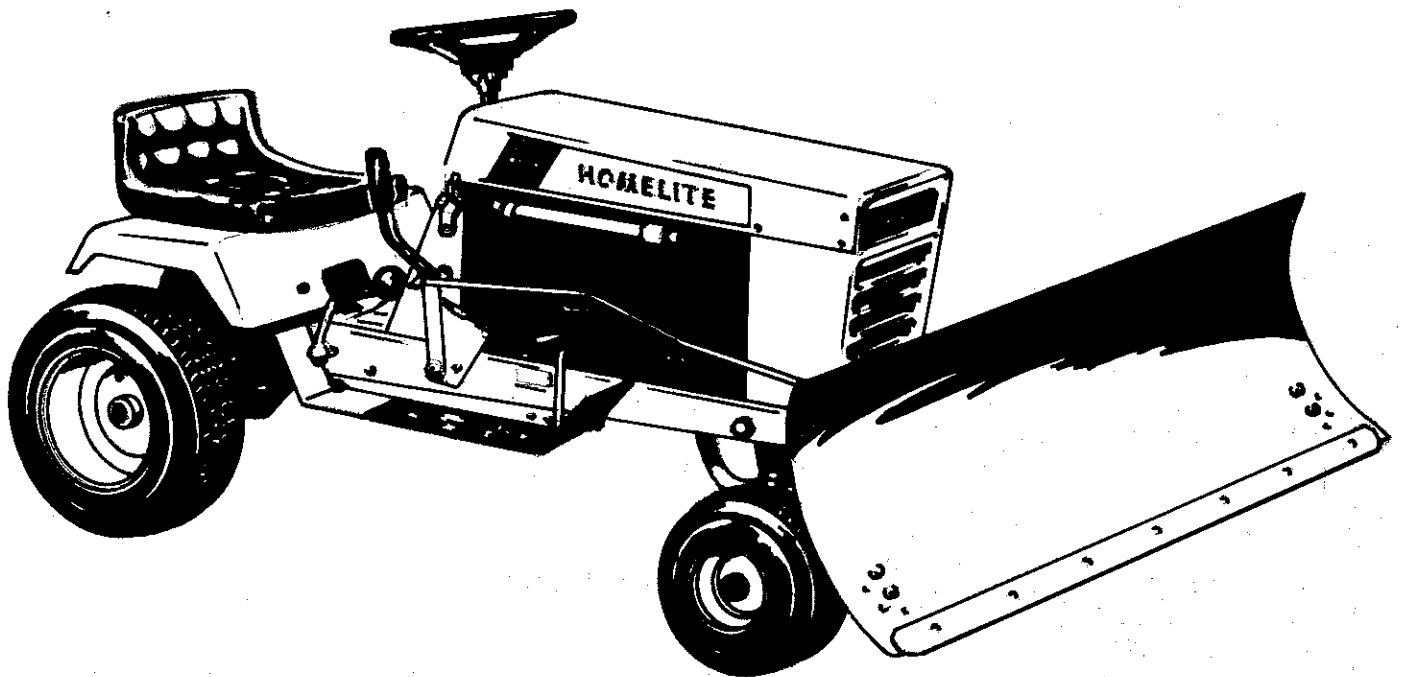


INSTRUCTIONS & PARTS LIST

36" FRONT BLADE AND LIFT LEVER

No. LM-16002-87



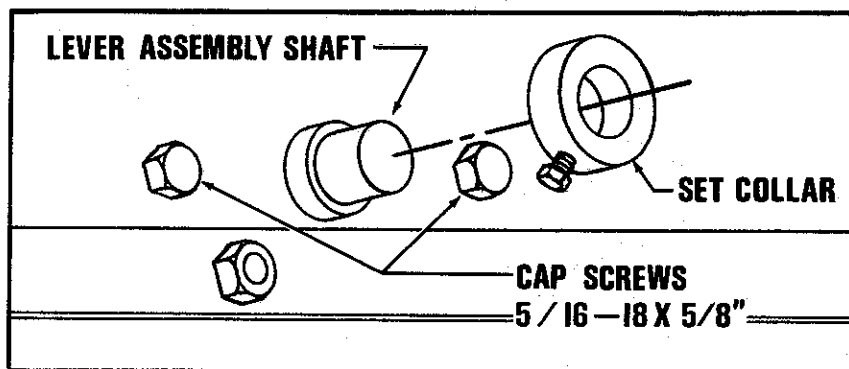
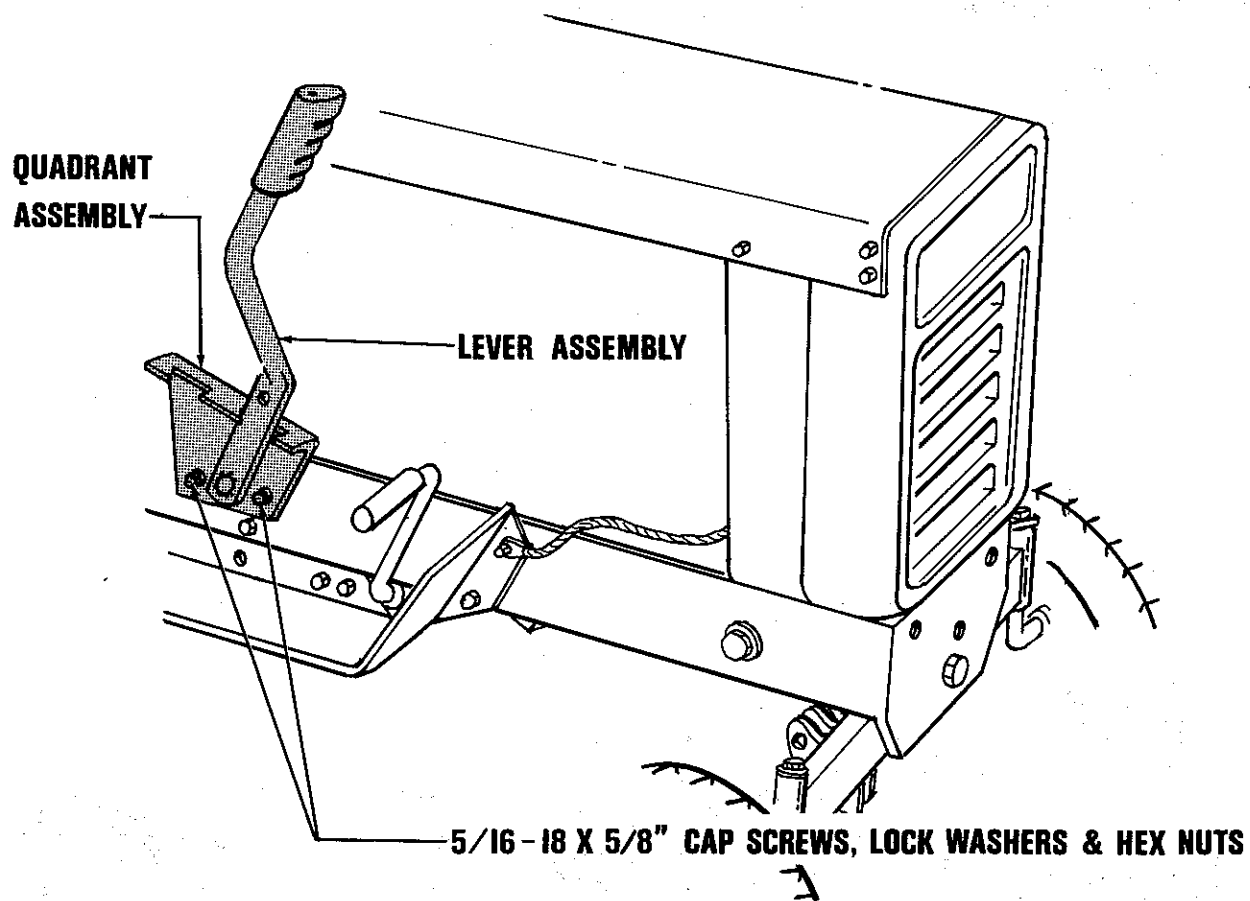
For: RM-5, RM-5E, & RM-7E
T R A C T O R S

HOMELITE®

PART No. 24716-4
SUPERSEDES 24716 & 24730

PRINTED IN U.S.A.

LIFT LEVER MOUNTING INSTRUCTIONS



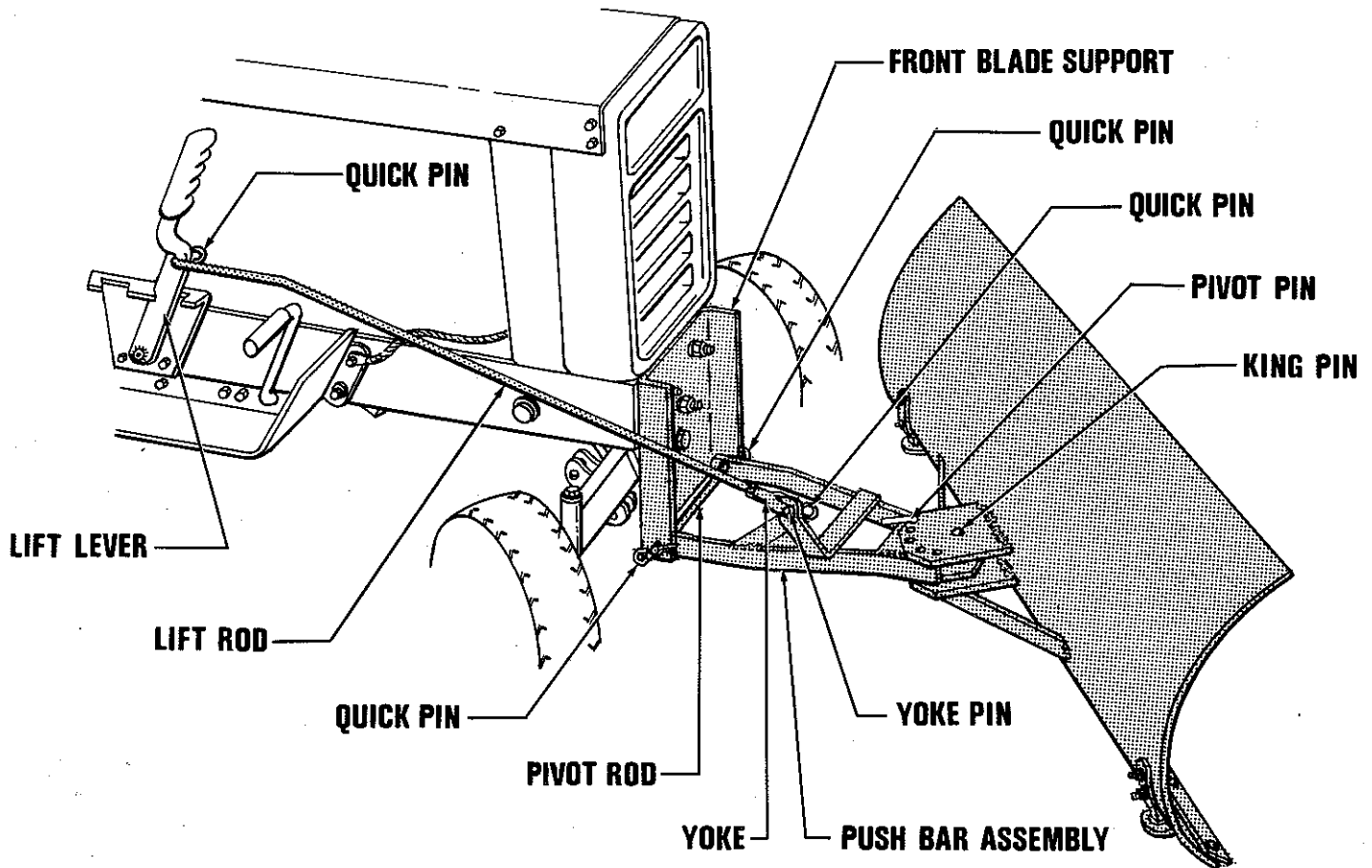
VIEW—UNDERSIDE OF TRACTOR

The lift lever kit mounts to the tractor frame on the right hand side of the tractor as shown in the illustration. It should be installed as follows:

1. Secure the quadrant assembly to the tractor frame using two 5/16-18 x 5/8 capscrews, lockwasher and hex nuts. Bolt heads must be inside tractor frame.
2. Slide the shaft on the lever assembly through the hole in the quadrant assembly.
3. Install the set collar on the end of the shaft and secure with a setscrew.

NOTE: Install set collar just tight enough so that lever assembly is not loose, yet moves easily.

36" FRONT BLADE ASSEMBLY INSTRUCTIONS



ASSEMBLY

1. Secure the front blade support to the front of the tractor using three 3/8" capscrews, lockwashers and hex nuts.
2. Attach the push bar to the blade using a king pin in the forward hole and a pivot pin in the rear hole.
3. Secure the push bar to the front blade support using the pivot rod. Secure the rod with a quick pin at each end.
4. Place the tractor lift lever in the forward position. Using a yoke pin and quick pin, mount the yoke end of the lift rod on the lift arm of the push bar assembly. Insert the hooked end of the rod through the hole in the lift and secure with a quick pin.

ADJUSTMENTS

The front blade may be angled for plowing to the left or right. Remove the pivot pin, adjust the blade to the desired angle and replace the pivot pin.

Alternate holes are provided in the blade to adjust the shoe assemblies for various types of ground to be plowed. The blade should be raised when plowing gravel drives or walks. Lower the blade when plowing asphalt or concrete drives or walks.

The wear plate on the blade is reversible. Should it become worn, it may be removed, reversed and reinstalled.

Recommended Accessories

TIRE CHAINS

RM-5, RM-5E

RM-7

WHEEL WEIGHTS

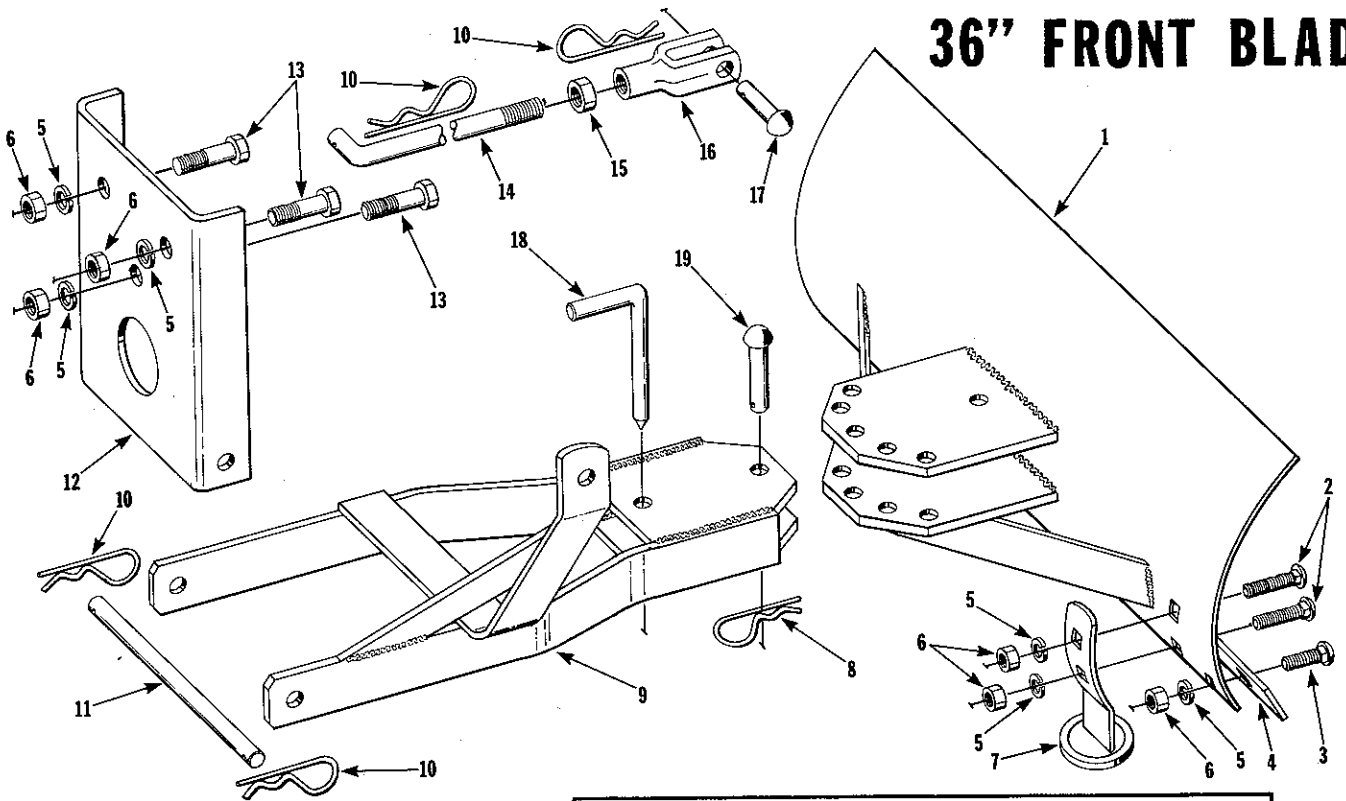
LM-09901-24

LM-16002-39

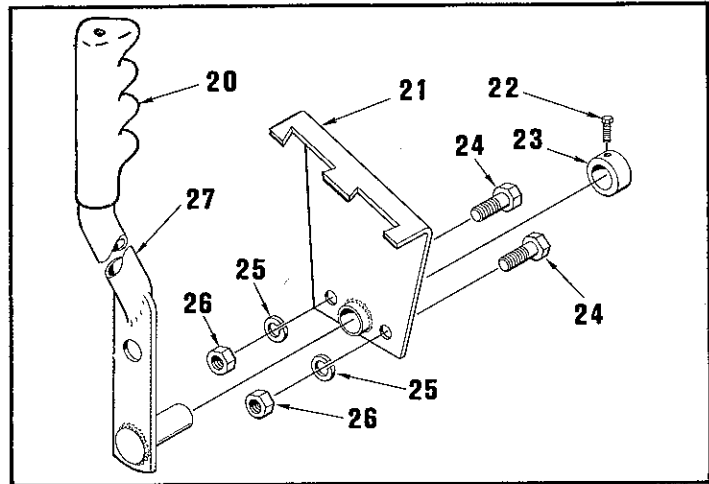
LM-09904-49

Note: Loose mounting of chains will make them self-cleaning.

36" FRONT BLADE



LIFT LEVER



No.	Description	Part No.	Qty.	No.	Description	Part No.	Qty.
1	BLADE ASSEMBLY- 36"	LM-16035-99	1	16	YOKE-rod end adj., 1/2-20	LM-01576-31	1
2	BOLT-carriage-3/8-16 x 1	LM-09232-32	4	17	PIN-yoke, 1/2	LM-01543-05	1
3	BOLT-carriage-3/8-16 x 3/4	LM-09221-10	7	18	PIN-pivot	LM-16036-01	1
4	PLATE-wear	LM-16036-06	1	19	PIN-king	LM-16036-02	1
5	WASHER-lock, 3/8	LM-09169-65	14	20	GRIP-handle	LM-16104-69	1
6	NUT-hex, 3/8-16	LM-09169-50	14	21	QUADRANT-lift	LM-16073-08	1
7	SHOE ASSEMBLY	LM-16035-73	2	22	SCREW-set, 5/16-18 x 5/16	LM-09117-12	1
8	PIN-quick	LM-01067-88	1	23	COLLAR-set	LM-80210-10	1
9	BAR ASSEMBLY-push	LM-16035-70	1	24	SCREW-cap, 5/16-18 x 5/8	LM-09193-18	2
10	PIN-quick	LM-81610-45	4	25	WASHER-lock, 5/16	LM-09173-56	2
11	ROD-pivot	LM-16036-03	1	26	NUT-hex, 5/16	LM-09173-72	2
12	SUPPORT-front blade	LM-16073-14	1	27	LEVER-lift	LM-16073-10	1
13	SCREW-cap, 3/8-16 x 2-3/4	LM-09199-59	3				
14	ROD-lift	LM-16073-13	1		Accessory		
15	NUT-hex jam, 1/2-20	LM-09192-62	1		PAINT-blue, 12 oz. spray can	24764	

ALWAYS FURNISH MODEL AND SERIAL NUMBER WHEN ORDERING PARTS.



A **Textron** DIVISION, PORT CHESTER, N.Y. 10570

E2379EZ