

PARTS LIST

PRICE .35

HOMELITE®

21" WALK-BEHIND ROTARY MOWERS

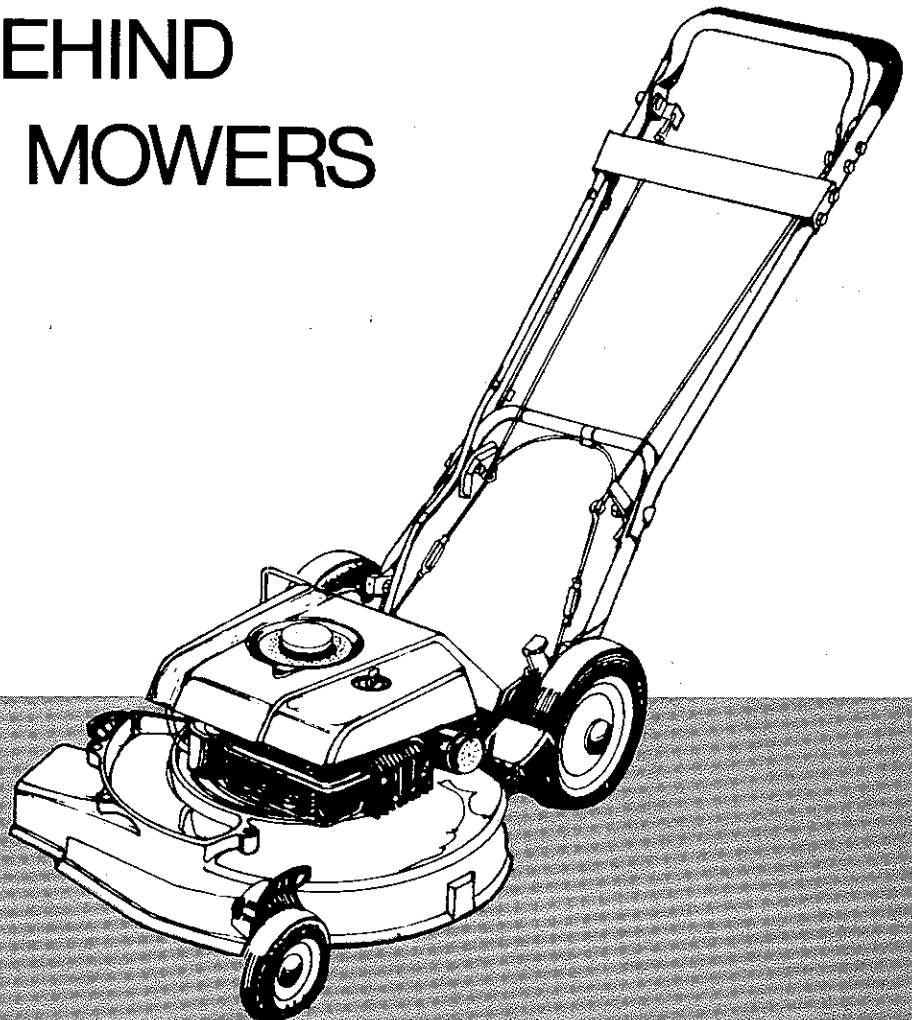
MODELS:

M-21

M-21E

M-21S

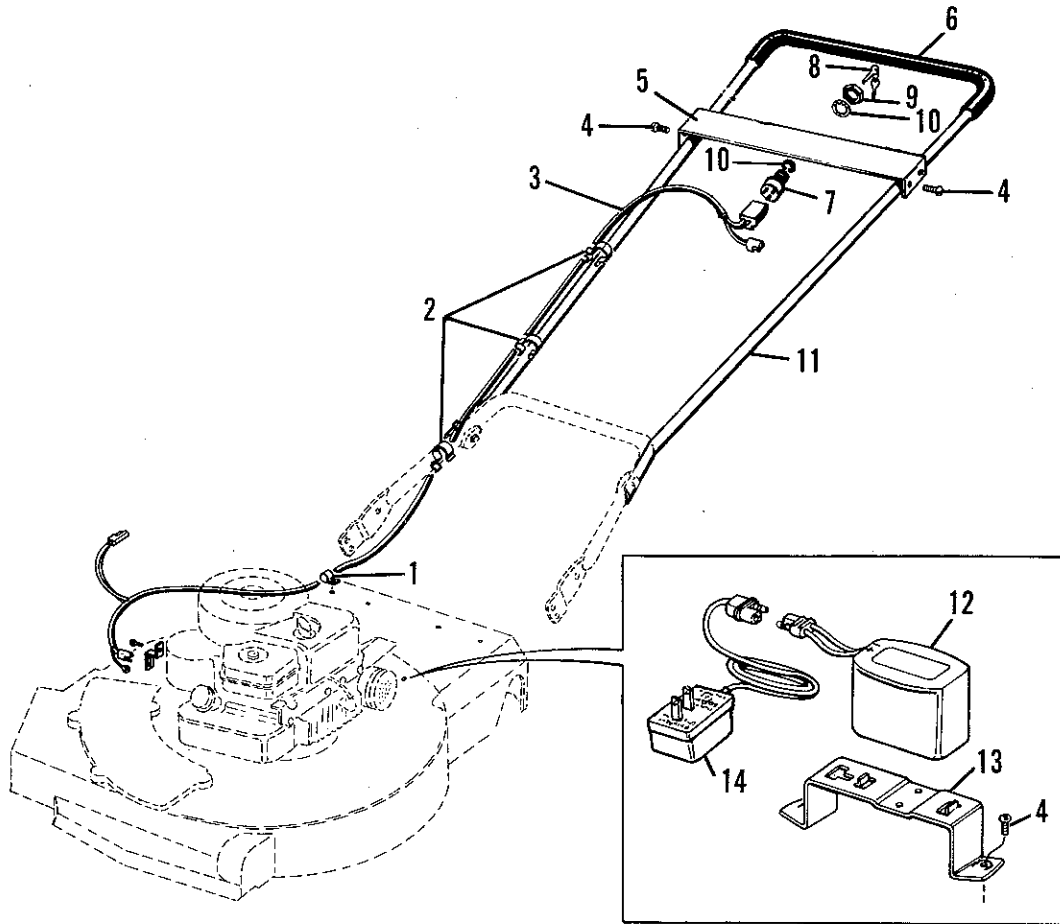
M-21SE



PART NO. 24620

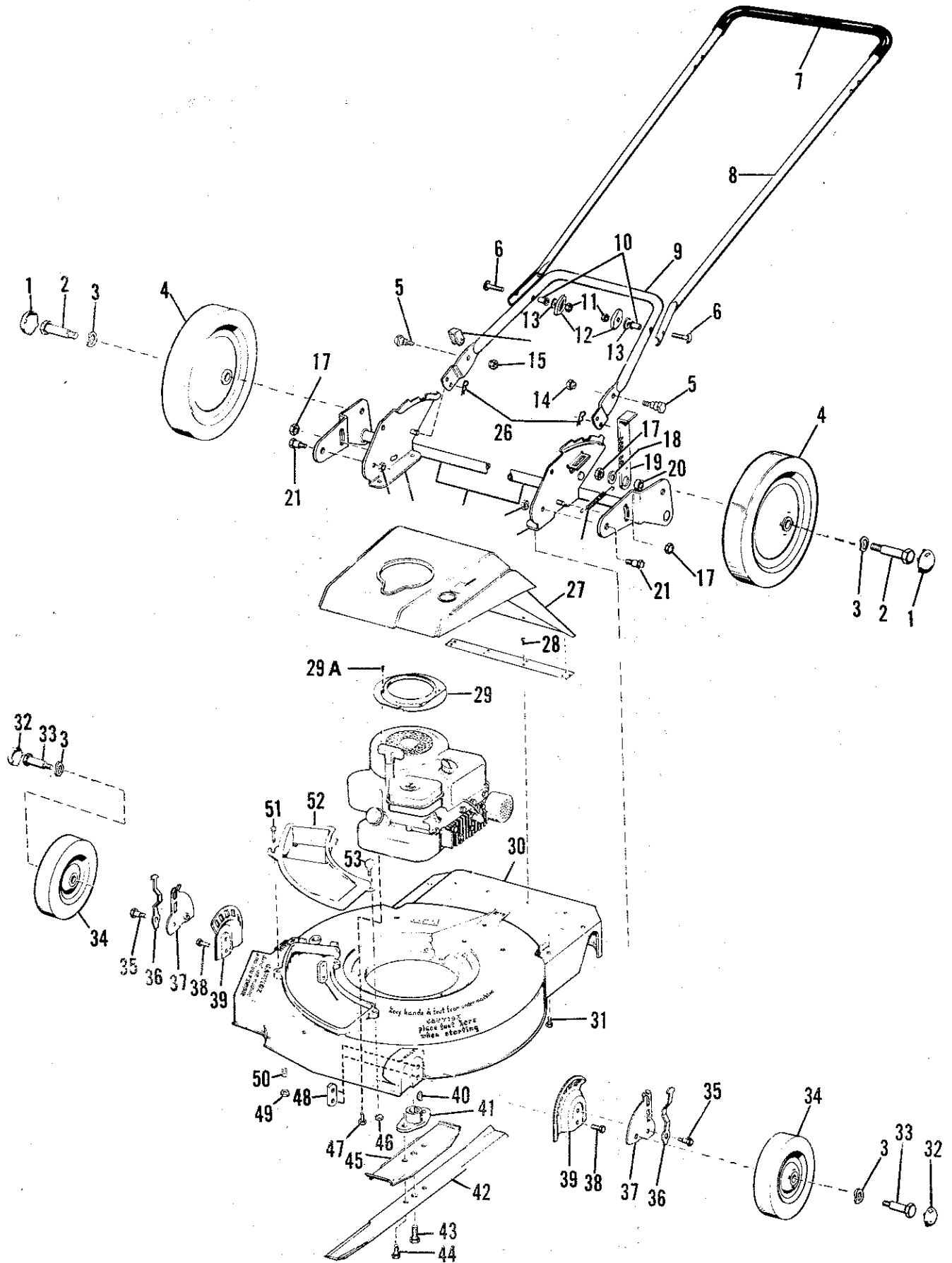


ELECTRIC START



No.	Description	Part No.	M-21E		Qty.
			M-21E	M-21SE	
1	CLAMP-cable	LM-01088-11	x	x	1
2	CLAMP-handle cable	LM-01088-12	x	x	3
3	HARNESS	LM-01703-00	x	x	1
4	SCREW-hex, 1/4-20 x 3/8	LM-09274-28	x	x	6
5	PANEL-switch mounting	LM-01703-02	x	x	1
6	TUBING-handle	LM-01087-93	x	x	1
7	SWITCH-starter	LM-01222-01	x	x	1
	Includes:				
8	KEY & RING	LM-01222-03	x	x	1
9	NUT-hex, special	LM-01222-35	x	x	1
10	WASHER-lock, 9/16	LM-09286-36	x		1
	WASHER-lock, 9/16	LM-09286-36		x	2
11	HANDLE-upper	LM-01086-55	x	x	1
12	BATTERY	LM-01088-52	x	x	1
13	SUPPORT-battery	LM-01700-14	x	x	1
14	CHARGER-battery	LM-01700-46	x	x	1
	FILM-ignition (not shown)	LM-01753-40	x	x	1
	FILM-mounting panel (not shown)	LM-01746-12	x	x	1

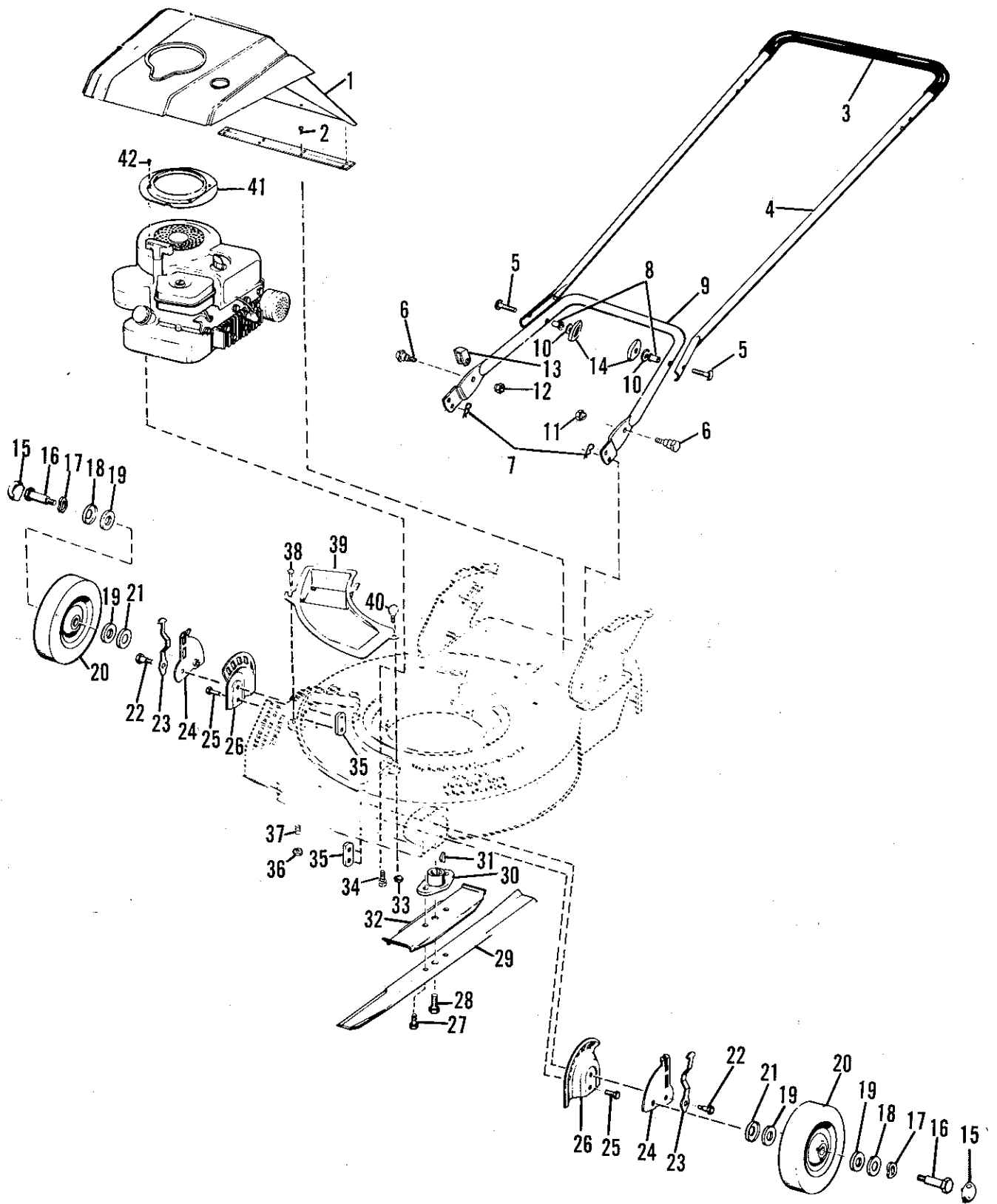
PUSH MOWER -21



PUSH MOWER -21

No.	Description	Part No.	M-21		Qty.
			M-21	M-21E	
1	CAP-hub (rear)	LM-01701-56	x	x	2
2	BOLT-wheel (rear)	LM-01701-35	x	x	2
3	WASHER-spring	LM-01701-57	x	x	4
4	WHEEL-10" (rear)	LM-01721-09	x	x	2
5	BOLT-handle latch	LM-01088-34	x	x	2
6	BOLT-curved head	LM-01087-78	x	x	2
7	TUBING-handle	LM-01087-93	x	x	1
8	HANDLE-upper	LM-01087-45	x		1
	HANDLE-upper	LM-01086-55		x	1
9	HANDLE-lower	LM-01086-56	x	x	1
10	EYELET-handle	LM-01088-21	x	x	2
11	NUT-hex, 5/16-18	LM-09286-98	x	x	2
12	NUT-wing	LM-01088-48	x	x	2
13	WASHER-flat, 1/4	LM-09173-77	x	x	2
14	NUT-hex, 5/16-18	LM-09233-62	x	x	1
15	NUT-handle latch	LM-01088-35	x	x	1
16	LATCH-handle	LM-01087-27	x	x	1
17	NUT-hex, 3/8-16	LM-09234-28	x	x	6
18	WASHER-flat, 5/16	LM-09176-42	x	x	1
19	ADJUSTER-height (rear)	LM-01086-38	x	x	1
20	SPACER	LM-01051-84	x	x	1
21	BOLT-hex shoulder	LM-01087-66	x	x	2
22	SPRING-height adjust (rear)	LM-01702-64	x	x	1
23	BRACKET-(L. H.)	EM-01720-09	x	x	1
24	PLATE & TUBE	LM-01087-21	x	x	1
25	BRACKET-(R. H.)	LM-01720-11	x	x	1
26	CLIP-spring	LM-81610-45	x	x	2
27	SHROUD	LM-01746-54	x	x	1
28	SCREW-hex, 12-24 x 1/2	LM-09286-95	x	x	4
29	RING	LM-01702-97	x	x	1
29A	RIVETS	LM-09287-08	x	x	4
30	HOUSING-21"	LM-01700-13	x	x	1
31	SCREW-hex, 1/4-20 x 3/8	LM-09274-28	x	x	4
32	CAP-hub (front)	LM-01701-55	x	x	2
33	BOLT-wheel (front)	LM-01087-64	x	x	2
34	WHEEL-6" (front)	LM-01701-53	x	x	2
35	BOLT-hex shoulder	LM-01087-11	x	x	2
36	SPRING-height adjust (front)	LM-01086-41	x	x	2
37	ADJUSTER-height (front)	LM-01086-39	x	x	2
38	SCREW-hex cap, 3/8-16 x 5/8	LM-09182-28	x	x	2
39	PLATE-adjusting	LM-01086-40	x	x	2
40	KEY-Woodruff, #6	LM-09102-24	x	x	1
41	ADAPTER-blade	LM-01087-16	x	x	1
42	BLADE-21"	LM-01087-00	x	x	1
43	SCREW-hex cap, 3/8-24 x 1-1/2	LM-09221-28	x	x	1
44	SCREW-hex, 5/16-18 x 1	LM-09286-97	x	x	2
45	STIFFENER-blade	LM-01087-04	x	x	1
46	SPEED NUT-special	LM-01086-99	x	x	1
47	BOLT-engine mounting, 3/8-16 x 1	LM-09286-96	x	x	3
48	NUT-twin pilot	LM-01086-97	x	x	2
49	NUT-hex, 1/4-20	LM-09233-58	x	x	2
50	SPRING	LM-01716-51	x	x	2
51	SCREW-special	LM-01724-29	x	x	2
52	PLATE-cover	LM-01716-45	x	x	1
53	SCREW-thumb, 1/4-20 x 5/8	LM-09286-94	x	x	1
	DECAL-safety (not shown)	LM-01729-80	x	x	1
	FILM-"Homelite" (not shown)	LM-01746-06	x	x	1
	FILM-identification (not shown)	LM-16070-48	x	x	1
	FILM-instruction (not shown)	LM-01087-79	x	x	1
	FILM-latch (not shown)	LM-01727-63	x	x	1
	FILM-"M21" (not shown)	LM-01746-07	x		2
	FILM-"M21E" (not shown)	LM-01749-17		x	2
	FILM-stripe (not shown)	LM-01749-20	x	x	1
	FILM-throttle control (not shown)	LM-01749-13	x	x	1

SELF PROPELLED MOWER - 21" & ELECTRIC START

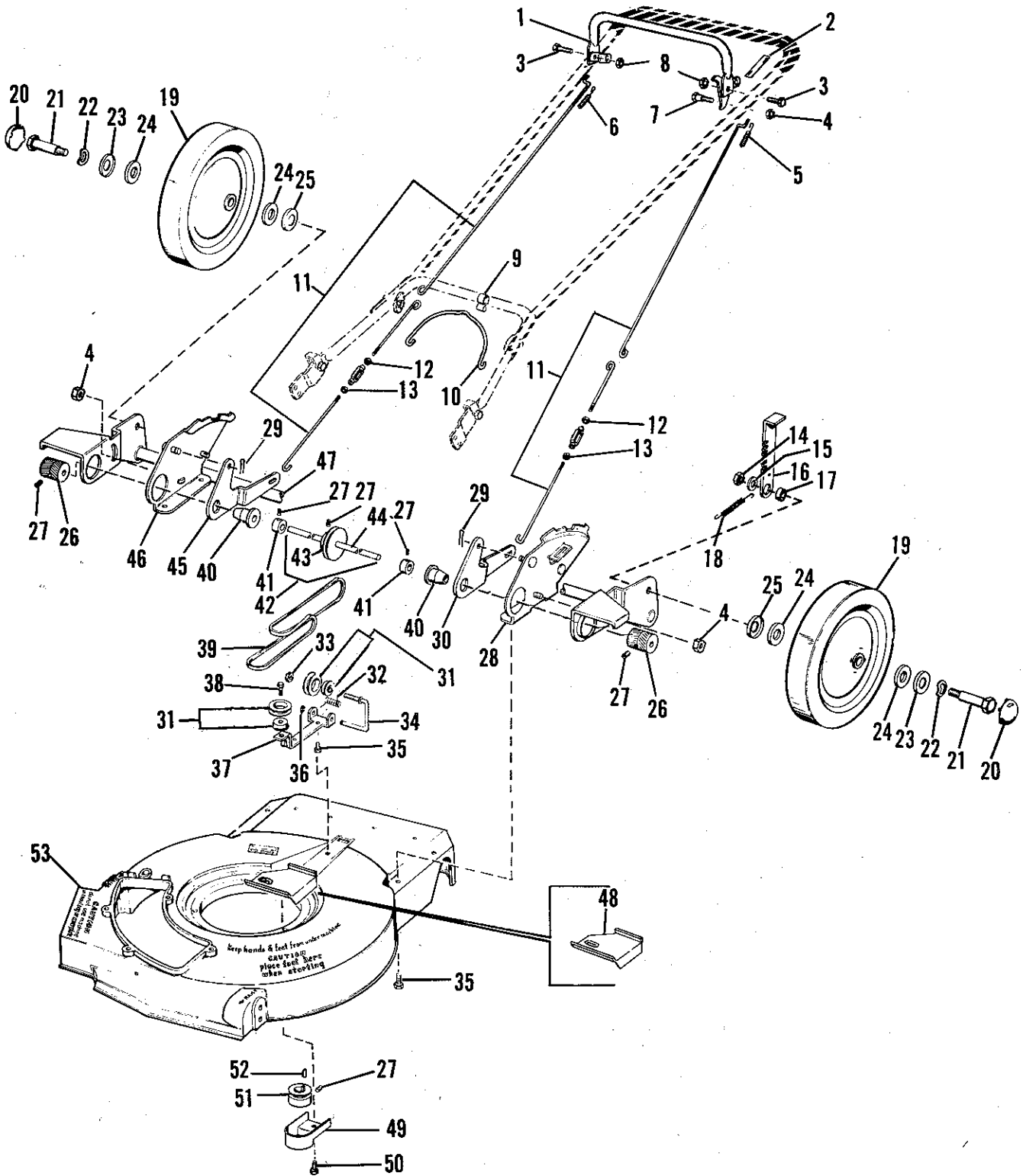


SELF PROPELLED MOWER - 21"

& ELECTRIC START

No.	Description	Part No.			Qty.
			M-21S	M-21SE	
1	SHROUD	LM-01746-54	x	x	1
2	SCREW-hex, 12-24 x 1/2	LM-09286-95	x	x	4
3	TUBING-handle	LM-01087-93	x	x	1
4	HANDLE-upper	LM-01086-55	x	x	1
5	BOLT-curved head	LM-01087-78	x	x	2
6	BOLT-handle latch	LM-01088-34	x	x	2
7	CLIP-spring	LM-81610-45	x	x	2
8	EYELET-handle	LM-01088-21	x	x	2
9	HANDLE-lower	LM-01086-56	x	x	1
10	WASHER-flat, 1/4	LM-09173-77	x	x	2
11	NUT-hex, 5/16-18	LM-09233-62	x	x	1
12	NUT-handle latch	LM-01088-35	x	x	1
13	LATCH-handle	LM-01087-27	x	x	1
14	NUT-wing	LM-01088-48	x	x	2
15	CAP-hub	LM-01087-83	x	x	2
16	BOLT-wheel (front)	LM-01087-64	x	x	2
17	WASHER-spring	LM-01701-57	x	x	2
18	HOUSING-seal	LM-01088-27	x	x	2
19	SEAL-wheel	LM-01088-19	x	x	4
20	WHEEL-6" (front)	LM-01087-02	x	x	2
21	HOUSING-seal	LM-01088-20	x	x	2
22	BOLT-hex shoulder	LM-01087-11	x	x	2
23	SPRING-height adjust (front)	LM-01086-41	x	x	2
24	ADJUSTER-height (front)	LM-01086-39	x	x	2
25	SCREW-hex cap, 3/8-16 x 5/8	LM-09182-28	x	x	2
26	PLATE-adjusting	LM-01086-40	x	x	2
27	SCREW-hex, 5/16-18 x 1	LM-09286-97	x	x	2
28	SCREW-hex cap, 3/8-24 x 1-1/2	LM-09221-28	x	x	1
29	BLADE-21"	LM-01087-00	x	x	1
30	ADAPTER-blade	LM-01087-16	x	x	1
31	KEY-Woodruff, #6	LM-09102-24	x	x	1
32	STIFFENER-blade	LM-01087-04	x	x	1
33	SPEED NUT-special	LM-01086-99	x	x	1
34	SCREW-engine mounting, 3/8-16 x 1	LM-09286-96	x	x	3
35	NUT-twin pilot	LM-01086-97	x	x	2
36	NUT-hex, 1/4-20	LM-09233-58	x	x	2
37	SPRING	LM-01716-51	x	x	2
38	SCREW-special	LM-01724-29	x	x	2
39	PLATE-cover	LM-01716-45	x	x	1
40	SCREW-thumb, 1/4-20 x 5/8	LM-09286-94	x	x	1
41	RING	LM-01702-97	x	x	1
42	RIVETS	LM-09287-08	x	x	4
	DECAL-safety (not shown)	LM-01729-80	x	x	1
	FILM-caution (not shown)	LM-01749-19	x	x	1
	FILM-"Homelite" (not shown)	LM-01746-06	x	x	1
	FILM-instruction (not shown)	LM-01087-79	x	x	1
	FILM-latch (not shown)	LM-01727-63	x	x	1
	FILM-"M21S" (not shown)	LM-01749-18	x		2
	FILM-"M21SE" (not shown)	LM-01749-12		x	2
	FILM-stripe (not shown)	LM-01749-20	x	x	1
	FILM-throttle control (not shown)	LM-01749-13	x	x	1

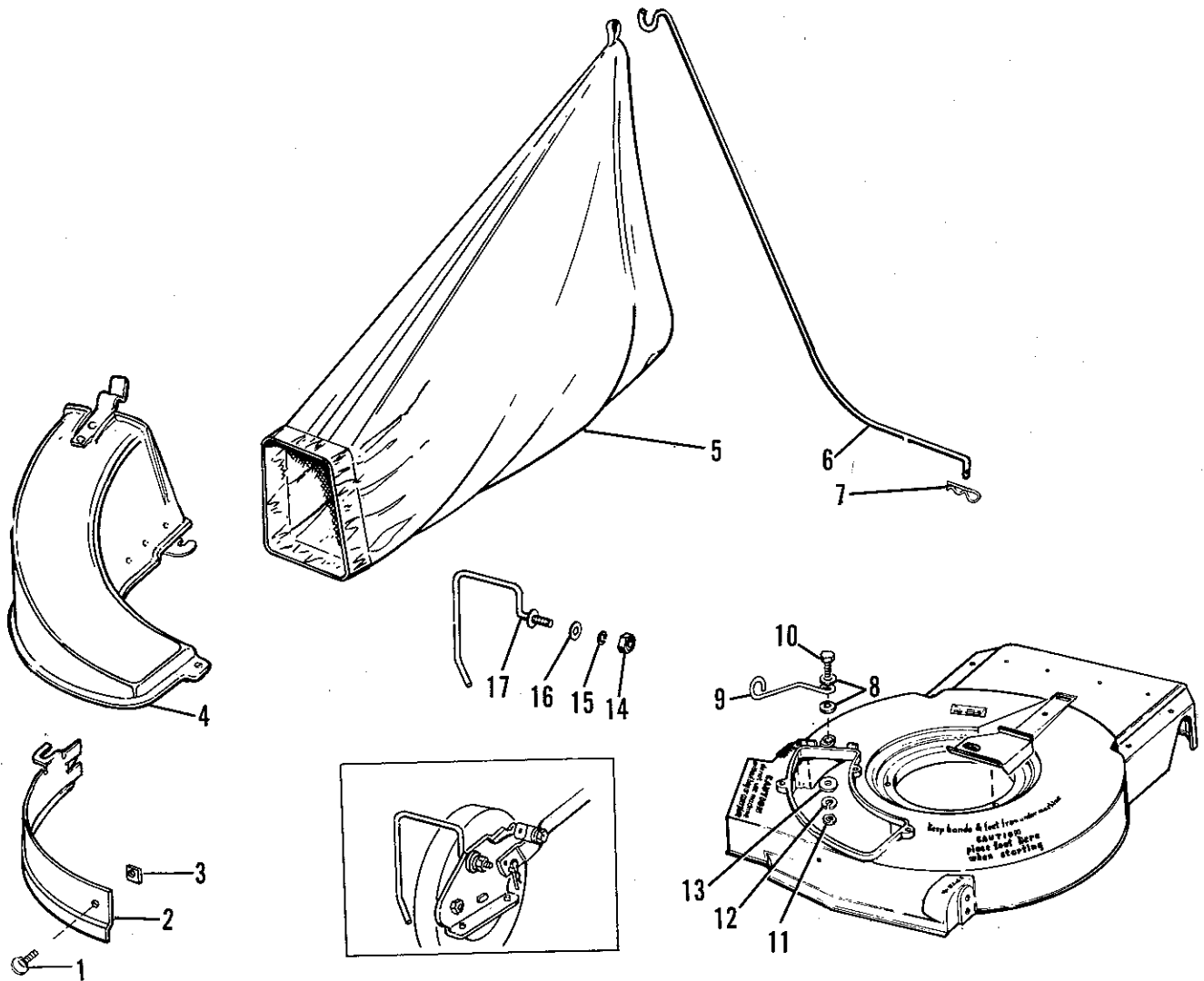
SELF PROPELLED MOWER - 21"



SELF PROPELLED MOWER - 21"

No.	Description	Part No.	M-21S	M-21SE	Qty.
1	HANDLE-engaging	LM-01087-54	x	x	1
2	FILM-handle	LM-01088-00	x	x	1
3	BOLT-handle shoulder	LM-01087-34	x	x	2
4	NUT-flange, 5/16-18	LM-09257-63	x	x	1
5	SPRING-rod return (L. H.)	LM-01087-91	x	x	1
6	SPRING-rod return (R. H.)	LM-01087-76	x	x	1
7	STOP-handle	LM-01087-57	x	x	1
8	NUT-hex, 5/16-18	LM-09286-98	x	x	4
9	CLAMP-cable handle	LM-01088-12	x	x	1
10	SPRING-rod	LM-01088-38	x	x	1
11	ROD-engaging	LM-01088-24	x	x	2
12	NUT-hex, 10-24 (L. H. thd.)	LM-09287-04	x	x	2
13	NUT-hex, 10-24	LM-09166-21	x	x	2
14	NUT-hex, 3/8-16	LM-09234-28	x	x	2
15	WASHER-flat, 5/16	LM-09176-42	x	x	1
16	ADJUSTER-height (rear)	LM-01086-38	x	x	1
17	SPACER-height adjust	LM-01051-84	x	x	1
18	SPRING-height adjust (rear)	LM-01702-64	x	x	1
19	WHEEL-10" (rear)	LM-01087-01	x	x	2
20	CAP-hub	LM-01087-83	x	x	2
21	BOLT-wheel (rear)	LM-01087-65	x	x	2
22	WASHER-spring	LM-01701-57	x	x	2
23	HOUSING-seal	LM-01088-20	x	x	2
24	SEAL-wheel	LM-01088-19	x	x	4
25	HOUSING-seal	LM-01088-27	x	x	2
26	DRIVER-wheel	LM-01086-64	x	x	2
27	SCREW-set, 5/16-18 x 1/4	LM-09287-34	x	x	6
28	BRACKET-(L. H.)	LM-01718-91	x	x	1
29	PIN-cotter, 3/32 x 5/8	LM-09220-00	x	x	2
30	BELLCRANK-(L. H.)	LM-01087-36	x	x	1
31	PULLEY-idler	LM-01087-30	x	x	2
32	SPRING-idler torsion	LM-01087-29	x	x	1
33	NUT-flange, 1/4-20	LM-09267-06	x	x	1
34	U-BOLT-idler	LM-01086-93	x	x	1
35	SCREW-hex, 1/4-20 x 3/8	LM-09274-28	x	x	6
36	RING-"E" Type	LM-01086-98	x	x	1
37	BRACKET-idler support	LM-01086-94	x	x	1
38	SCREW-hex, 1/4-20 x 3/4	LM-09255-92	x	x	1
39	BELT-drive	LM-01087-32	x	x	1
40	BEARING & RETAINER	LM-01086-67	x	x	2
41	COLLAR-set	LM-83010-42	x	x	2
42	SHAFT & PULLEY	LM-01088-23	x	x	1
	Includes:				
43	PULLEY-drive	LM-01086-88	x	x	1
44	SHAFT-wheel driver	LM-01086-66	x	x	1
45	BELLCRANK-(R. H.)	LM-01086-30	x	x	1
46	BRACKET-(R. H.)	LM-01718-93	x	x	1
47	PLATE & TUBE	LM-01086-36	x	x	1
48	DEFLECTOR-oil	LM-01088-41	x	x	1
49	COVER-drive (lower)	LM-01087-03	x	x	1
50	SCREW-hex, 12-24 x 1/2	LM-09286-95	x	x	1
51	PULLEY-engine	LM-01086-89	x	x	1
52	KEY-Woodruff, #5	LM-09051-21	x	x	1
53	HOUSING-21"	LM-01700-13	x	x	1
	PLATE-identification (not shown)	LM-16070-48	x	x	1

CATCHER ASSEMBLY



No.	Description	Part No.					Qty.
			M-21	M-21E	M-21S	M-21SE	
1	SCREW-thumb, 1/4-20 x 5/8	LM-09286-94	x	x	x	x	1
2	BAFFLE	LM-01716-44	x	x	x	x	1
3	NUT-speed	LM-09287-05	x	x	x	x	1
4	CHUTE	LM-01716-48	x	x	x	x	1
5	BAG	LM-01745-96	x	x	x	x	1
6	ROD-bag support	LM-01087-86	x	x	x	x	1
7	CLIP-spring	LM-81610-45	x	x	x	x	1
8	WASHER-flat, 1/4	LM-09173-77	x	x	x	x	2
9	GUARD-bag	LM-01088-53	x	x	x	x	1
10	SCREW-hex cap, 1/4-20 x 1	LM-09173-96	x	x	x	x	1
11	NUT-hex, 1/4-20	LM-09166-22	x	x	x	x	1
12	WASHER-lock, 1/4	LM-09169-64	x	x	x	x	1
13	WASHER	LM-01540-26	x	x	x	x	1
14	NUT-hex, 5/16-18	LM-09173-72	x	x	x	x	1
15	WASHER-lock, 5/16	LM-09173-56	x	x	x	x	1
16	WASHER-flat, 5/16	LM-09176-42	x	x	x	x	1
17	GUARD-bag	LM-01088-18	x	x	x	x	1
Accessory:							
	BAG-leaf (not shown)	LM-09908-01	x	x	x	x	2

ALWAYS FURNISH MODEL AND SERIAL NUMBER WHEN ORDERING PARTS.



Part No.	Description	Qty.	Part No.	Description	Qty.	Part No.	Description	Qty.
LM-01051-84	Spacer	1	LM-01088-19	Seal-wheel	4	LM-81610-45	Clip-spring	2
LM-01086-30	Bellcrank-R. H.	1	LM-01088-20	Housing-seal	2	LM-83010-42	Collar-set	2
LM-01086-36	Plate & Tube	1	LM-01088-21	Eyelet-handle	2	FASTENING PARTS		
LM-01086-38	Adjuster-rear	1	LM-01088-23	Shaft & Pulley	1	LM-01086-97	Nut-pilot	2
LM-01086-39	Adjuster-front	2	LM-01088-24	Rod-engaging	2	LM-01086-99	Nut-speed	1
LM-01086-40	Plate-adjusting	2	LM-01088-27	Housing-seal	2	LM-01087-11	Bolt-hex	2
LM-01086-41	Spring-adjuster	2	LM-01088-38	Spring-rod	1	LM-01087-34	Bolt-shoulder	2
LM-01086-55	Handle-upper	1	LM-01088-41	Deflector-oil	1	LM-01087-64	Bolt-front	2
LM-01086-56	Handle-lower	1	LM-01088-52	Battery	1	LM-01087-65	Bolt-rear	2
LM-01086-64	Driver-wheel	2	LM-01088-53	Guard-bag	1	LM-01087-66	Bolt-shoulder	2
LM-01086-66	Shaft-wheel driver	1	LM-01222-01	Switch-starter	1	LM-01087-78	Bolt-curved	2
LM-01086-67	Bearing & Retainer	2	LM-01222-03	Key & Ring	1	LM-01088-34	Bolt-latch	2
LM-01086-68	Pulley-drive	1	LM-01700-13	Housing-21"	1	LM-01088-35	Nut-latch	1
LM-01086-89	Pulley-engine	1	LM-01700-14	Support-battery	1	LM-01088-48	Nut-wing	2
LM-01086-93	U-Bolt Idler	1	LM-01700-46	Charger-battery	1	LM-01222-35	Nut-hex	1
LM-01086-94	Bracket-idler support	1	LM-01701-53	Wheel-front	2	LM-01540-26	Washer	1
LM-01086-98	"E" Ring	1	LM-01701-55	Cap-hub	2	LM-01701-35	Bolt-wheel	2
LM-01087-00	Blade-21"	1	LM-01701-56	Cap-hub	2	LM-01701-57	Washer-spring	4
LM-01087-01	Wheel-rear	2	LM-01702-64	Spring-adjuster	1	LM-01724-29	Screw-special	2
LM-01087-02	Wheel-front	2	LM-01703-00	Harness	1	LM-09287-34	5/16-18 x 1/4	6
LM-01087-03	Cover-lower drive	1	LM-01703-02	Panel-switch	1	LM-09166-22	Nut-1/4-20	1
LM-01087-04	Stiffener-blade	1	LM-01716-44	Baffle	1	LM-09166-21	Nut-10-24	2
LM-01087-16	Adapter-blade	1	LM-01716-45	Plate-cover	1	LM-09169-64	Washer-1/4	1
LM-01087-21	Plate & Tube	1	LM-01716-48	Chute Assembly	1	LM-09173-56	Washer-lock	1
LM-01087-27	Latch-handle	1	LM-01716-51	Spring	2	LM-09173-72	Nut-5/16-18	1
LM-01087-29	Spring-Torsion	1	LM-01718-91	Bracket-L. H.	1	LM-09173-77	Washer-1/4	2
LM-01087-30	Pulley-idler	2	LM-01718-93	Bracket-R. H.	1	LM-09173-96	1/4-20 x 1	1
LM-01087-32	Belt-drive	1	LM-01720-09	Bracket-L. H.	1	LM-09176-42	Washer-5/16	1
LM-01087-36	Bellcrank-L. H.	1	LM-01720-11	Bracket-R. H.	1	LM-09182-28	Screw-hex cap	2
LM-01087-45	Handle-upper	1	LM-01721-09	Wheel-rear	2	LM-09220-00	Pin-cotter	2
LM-01087-54	Handle-engaging	1	LM-01724-94	Engine	1	LM-09221-28	3/8-24 x 1-1/2	1
LM-01087-57	Stop-handle	1	LM-01727-63	Film-latch	1	LM-09233-58	Nut-lock	2
LM-01749-13	Film-throttle control	1	LM-01729-80	Decal-safety	1	LM-09233-62	Nut-hex lock	1
LM-01749-19	Film-caution	1	LM-01745-96	Bag	1	LM-09234-28	Nut-3/8-16	6
LM-01087-76	Spring-rod	1	LM-01746-06	Film-Homelite	1	LM-09260-76	Nut-1/4-20	1
LM-01087-79	Film-instruction	1	LM-01746-07	Film-M21	2	LM-09257-63	Nut-5/16-18	1
LM-09287-08	Rivets	4	LM-01746-12	Film-mtg. panel	1	LM-09255-92	1/4-20 x 3/4	1
LM-01702-97	Ring	1	LM-01746-54	Shroud	1	LM-09274-28	1/4-20 x 3/8	6
LM-01087-83	Cap-hub	2	LM-01749-12	Film	2	LM-09286-36	Washer-9/16	2
LM-01087-86	Rod-bag support	1	LM-01749-13	Film-throttle	1	LM-09286-94	1/4-20 x 5/8	1
LM-01087-91	Spring-ret. rod	1	LM-01753-40	Film-ignition	1	LM-09286-95	12-24 x 1/2	4
LM-01087-93	Tubing-handle	1	LM-01749-17	Film-M21E	2	LM-09286-96	3/8-16 x 1	3
LM-01087-98	Engine	1	LM-01749-18	Film-M21S	2	LM-09286-97	5/16-18 x 1	2
LM-01088-00	Film-handle	1	LM-01749-20	Film-stripe	1	LM-09286-98	Nut-5/16-18	4
LM-01088-11	Clamp-cable	1	LM-09051-21	Key-Woodruff #5	1	LM-09287-04	Nut-10-24	2
LM-01088-12	Clamp-cable handle	3	LM-09102-24	Key-Woodruff #6	1	LM-09287-05	Nut-Tinnerman	1
LM-01088-18	Guard-bag	1	LM-09908-01	Bag-leaf	2			

HOMELITE®

A **Textron**
DIVISION