

PARTS LIST

PRICE .35

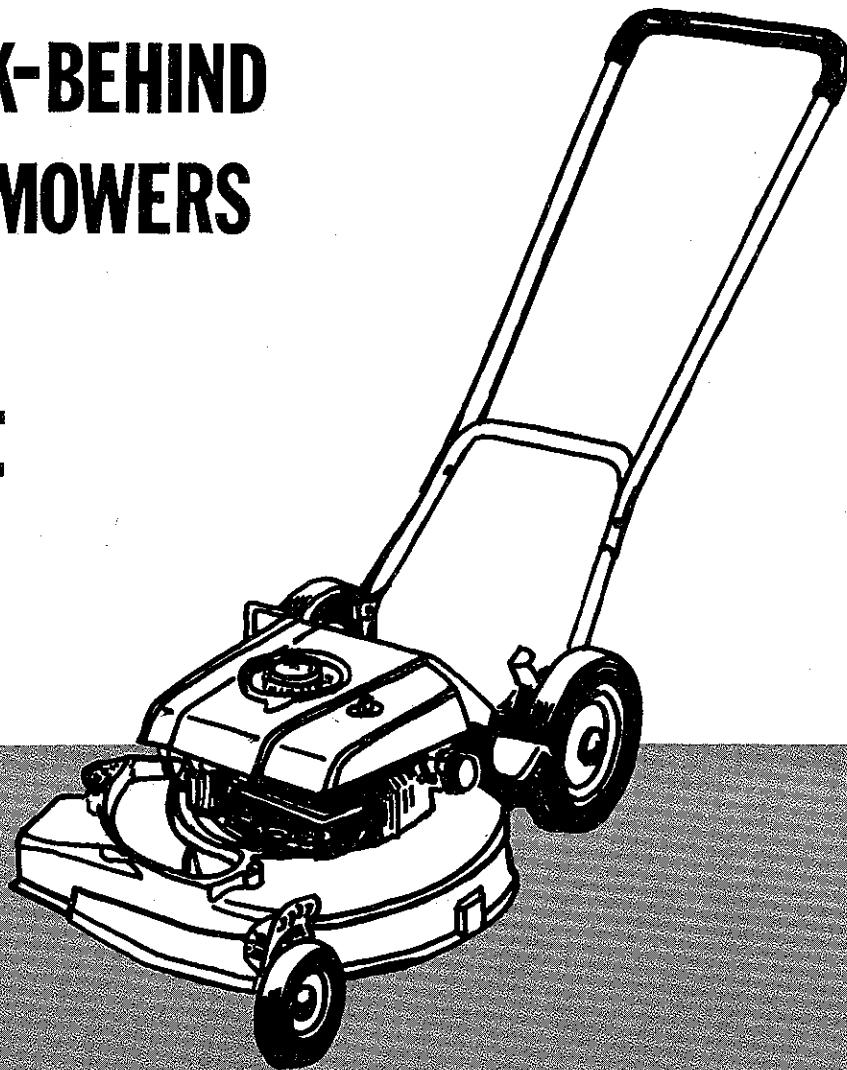
HOMELITE®

19" WALK-BEHIND ROTARY MOWERS

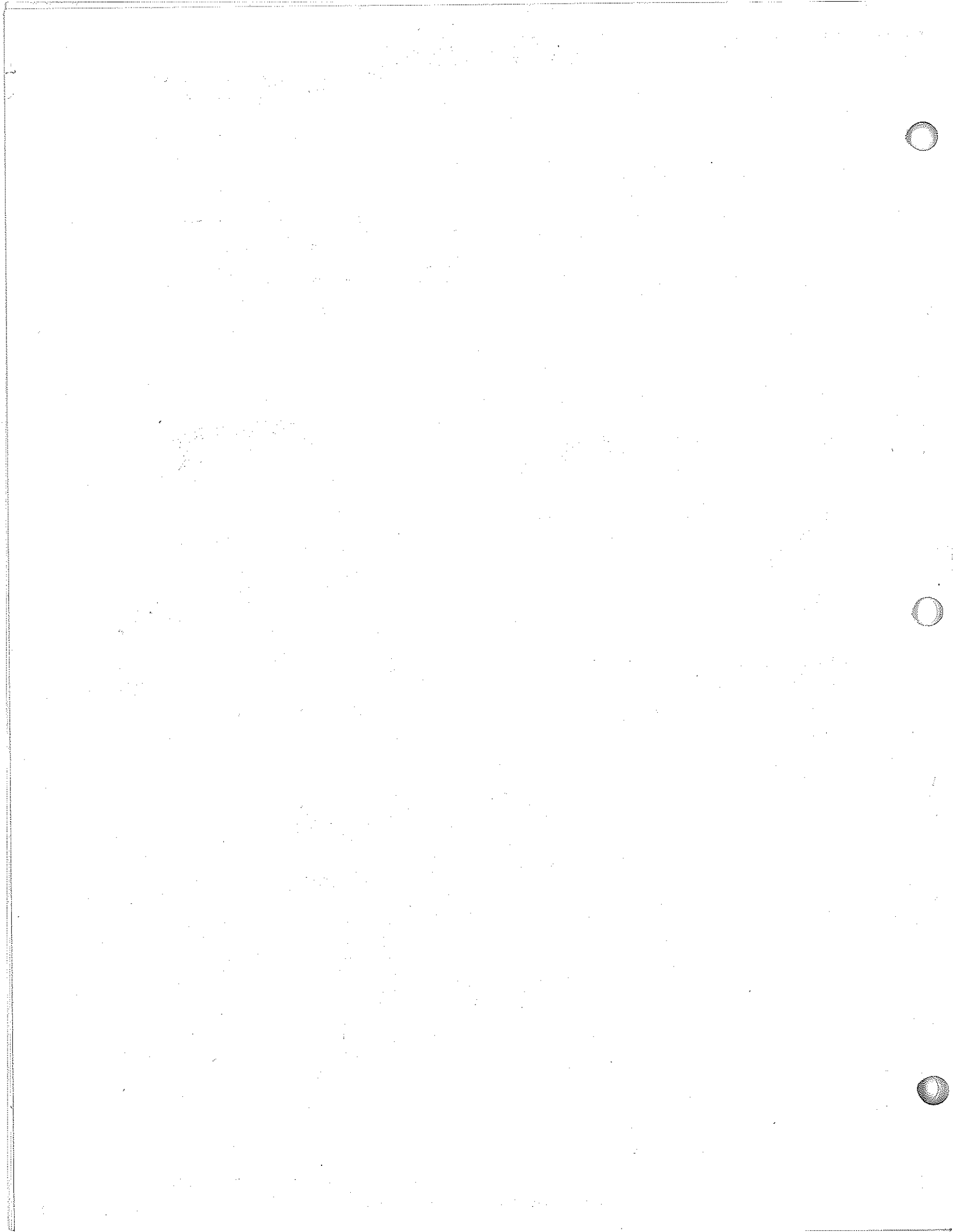
MODELS:

M-19

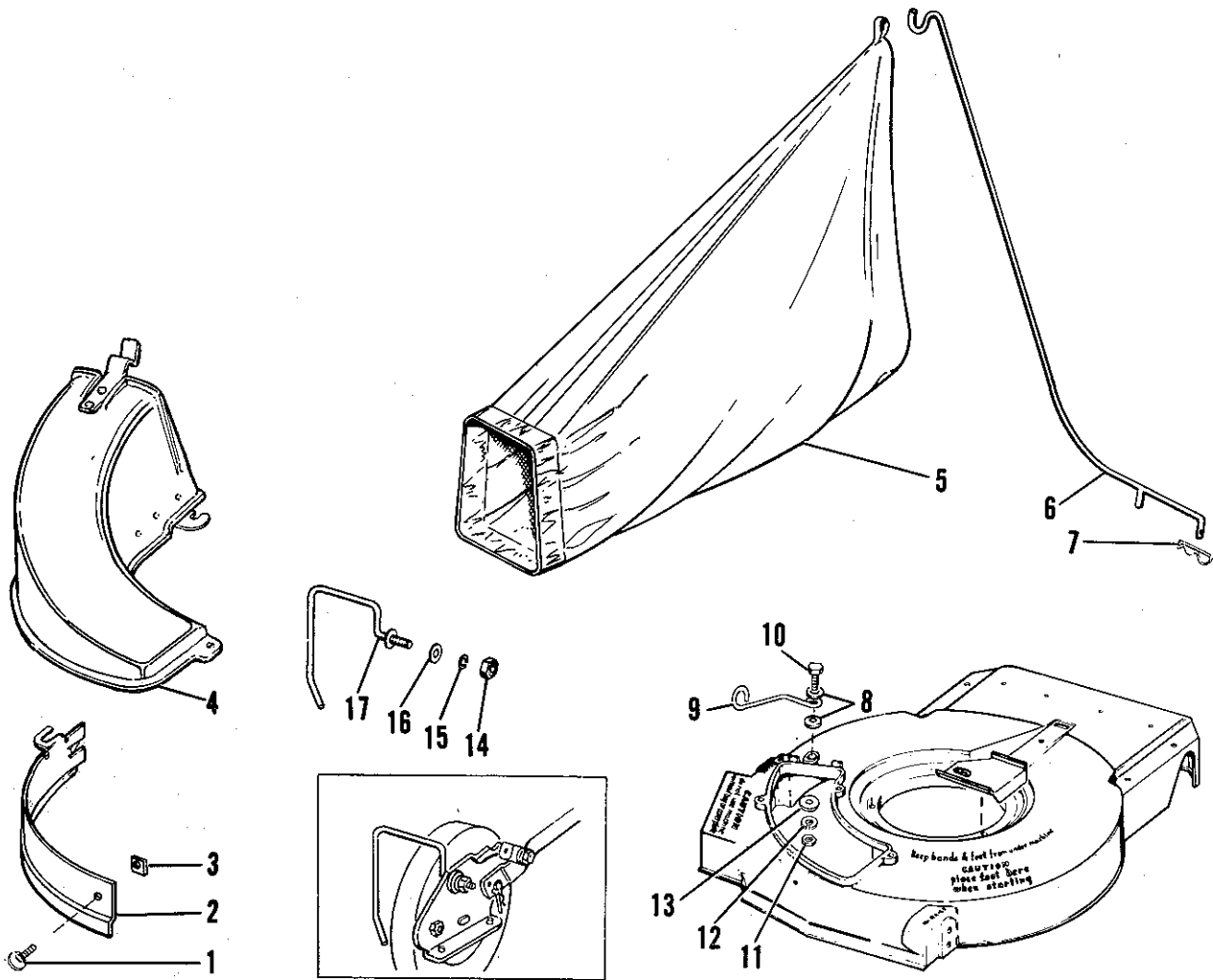
M-19E



PART NO. 24621



CATCHER ASSEMBLY

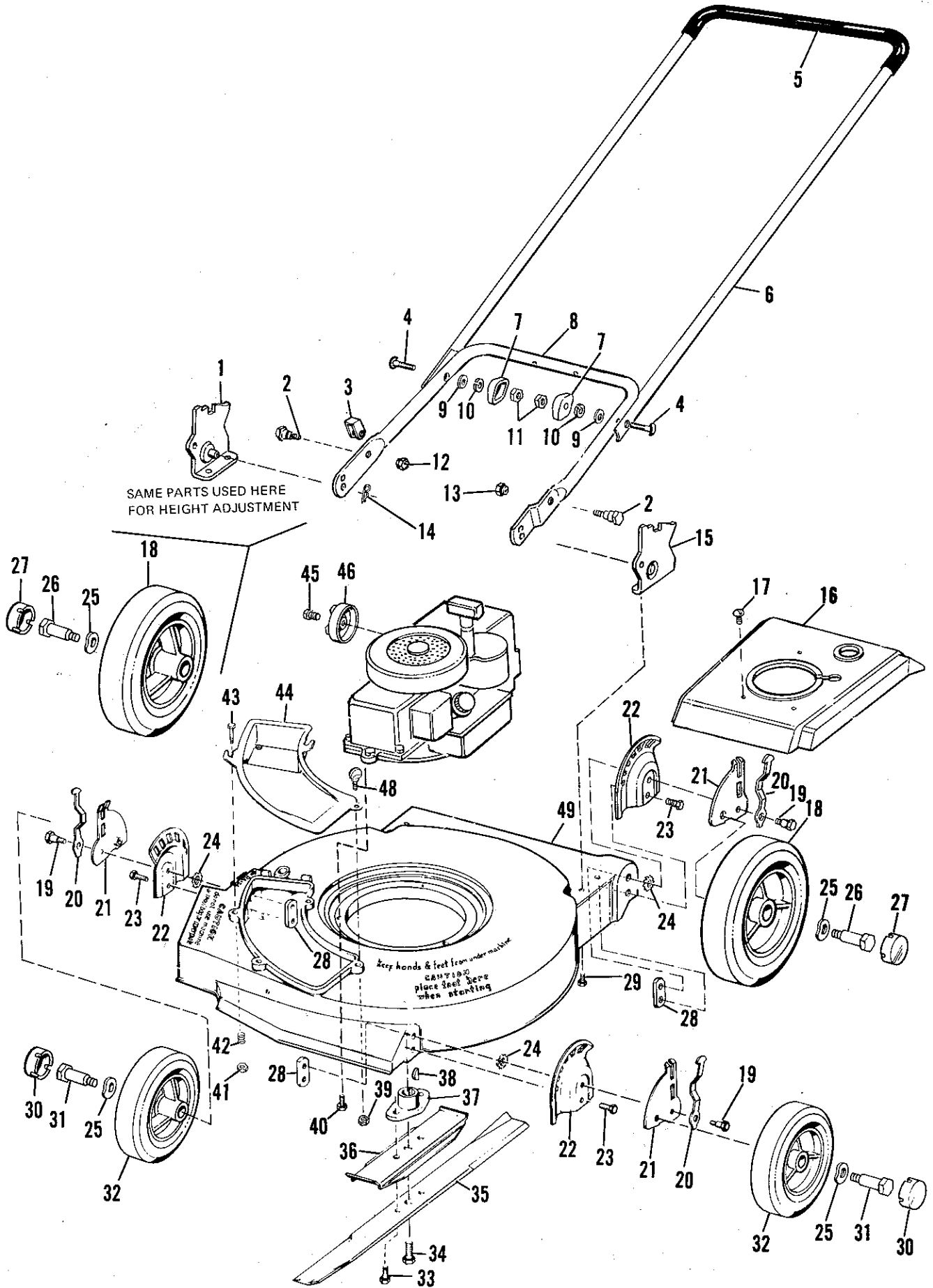


No.	Description	Part No.	Qty.
1	SCREW-thumb, 1/4-20 x 5/8	LM-09286-94	1
2	BAFFLE	LM-01716-44	1
3	NUT-speed	LM-09287-05	1
4	CHUTE	LM-01716-48	1
5	BAG	LM-01745-96	1
6	ROD-bag support	LM-01087-86	1
7	CLIP-spring	LM-81610-45	1
8	WASHER-flat, 1/4	LM-09173-77	2
9	GUARD-bag	LM-01088-53	1
10	SCREW-hex cap	LM-09173-96	1
11	NUT-hex, 1/4-20	LM-09157-41	1
12	WASHER-lock, 1/4	LM-09169-64	1
13	WASHER	LM-01540-26	1
14	NUT-hex, 5/16-18	LM-09173-72	1
15	WASHER-lock, 5/16	LM-09173-56	1
16	WASHER-flat, 5/16	LM-09176-42	1
17	GUARD-bag	LM-01088-18	1

Accessory:

BAG-leaf	LM-09908-01	2
----------	-------------	---

PUSH MODEL - 19"



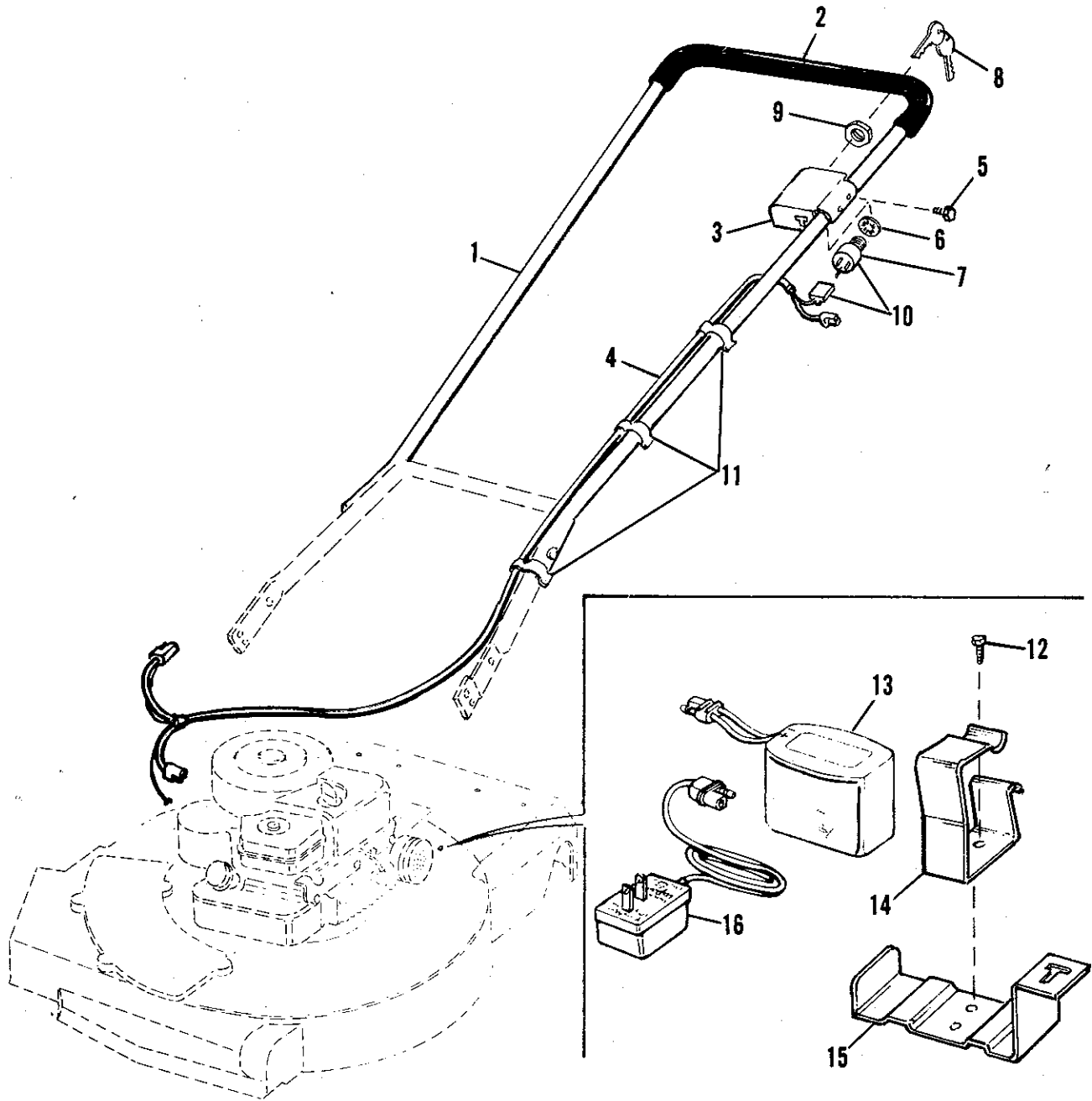
SAME PARTS USED HERE FOR HEIGHT ADJUSTMENT

ALWAYS FURNISH MODEL AND SERIAL NUMBER WHEN ORDERING PARTS.

PUSH MODEL-19"

No.	Description	Part No.	M-19		Qty.
			M-19	M-19E	
1	BRACKET-(right hand)	LM-01718-18	x	x	1
2	BOLT-handle latch	LM-01088-34	x	x	2
3	LATCH-handle	LM-01087-27	x	x	1
4	BOLT-curved head	LM-01087-78	x	x	2
5	TUBING-handle	LM-01087-93	x	x	1
6	HANDLE-upper	LM-01088-47	x		1
	HANDLE-upper	LM-01721-65		x	1
7	NUT-wing	LM-01088-48	x	x	2
8	HANDLE-lower	LM-01717-80	x	x	1
9	WASHER-flat, 1/4	LM-09173-77	x	x	2
10	WASHER-lock, 5/16	LM-09173-56	x	x	2
11	NUT-hex, 5/16-18	LM-09286-98	x	x	2
12	NUT-hex, 5/16-18	LM-09233-62	x	x	1
13	NUT-handle latch	LM-01088-35	x	x	1
14	CLIP-spring	LM-81610-45	x	x	2
15	BRACKET-(left hand)	LM-01718-17	x	x	1
16	SHROUD	LM-01746-56	x	x	1
17	SCREW-rd. hd., 8 x 1/2	LM-09286-90	x	x	3
18	WHEEL & TIRE-8" (rear)	LM-01701-54	x	x	2
19	BOLT-hex shoulder	LM-01087-11	x	x	4
20	SPRING-height adjust	LM-01086-41	x	x	4
21	ADJUSTER-height	LM-01086-39	x	x	4
22	PLATE-adjusting	LM-01086-40	x	x	4
23	SCREW-hex cap, 3/8-16 x 5/8	LM-09182-28	x	x	4
24	WASHER-lock, 3/8	LM-09204-27	x	x	4
25	WASHER-spring	LM-01701-57	x	x	4
26	BOLT-wheel (rear)	LM-01701-35	x	x	2
27	CAP-hub (rear)	LM-01701-56	x	x	2
28	NUT-twin pilot	LM-01086-97	x	x	4
29	SCREW-hex, 1/4-20 x 3/8	LM-09274-28	x	x	4
30	CAP-hub (front)	LM-01701-55	x	x	2
31	BOLT-wheel (front)	LM-01087-64	x	x	2
32	WHEEL-6" (front)	LM-01701-53	x	x	2
33	SCREW-hex cap, 5/16-18 x 1	LM-09286-97	x	x	2
34	SCREW-hex cap, 3/8-24 x 1-1/2	LM-09221-28	x	x	1
35	BLADE-19"	LM-01088-50	x	x	1
36	STIFFENER-blade	LM-01087-04	x	x	1
37	ADAPTER-blade	LM-01087-16	x	x	1
38	KEY-Woodruff, #6	LM-09102-24	x	x	1
39	SPEED NUT-special	LM-01086-99	x	x	1
40	BOLT-engine mounting, 3/8-16 x 1	LM-09286-96	x	x	3
41	NUT-hex, 1/4-20	LM-09233-58	x	x	2
42	SPRING	LM-01716-51	x	x	2
43	SCREW-special	LM-01724-29	x	x	2
44	PLATE-cover	LM-01716-45	x	x	1
45	SCREW-hex, 8 x 1/2	LM-09280-06	x	x	1
46	BAFFLE-muffler	LM-01702-74	x	x	1
47	ENGINE-3-1/2 H. P.		x		1
	ENGINE-3-1/2 H. P.			x	1
48	SCREW-thumb, 1/4-20 x 5/8	LM-09286-94	x	x	1
49	HOUSING-19"	LM-01088-31	x	x	1
	DECAL-safety (not shown)	LM-01729-80	x	x	1
	FILM-"Homelite" (not shown)	LM-01749-14	x	x	1
	FILM-instruction (not shown)	LM-01087-79	x	x	1
	FILM-"M19" (not shown)	LM-01746-20	x		2
	FILM-"M19E" (not shown)	LM-01749-15		x	2
	FILM-stripe (not shown)	LM-01749-21	x	x	1
	FILM-throttle control (not shown)	LM-01749-13	x	x	1

ELECTRIC START - 19"



No.	Description	Part No.	Qty.
1	HANDLE-upper	LM-01721-65	1
2	TUBING-handle	LM-01087-93	1
3	BRACKET-switch mounting	LM-01714-77	1
4	HARNESS	LM-01714-75	1
5	SCREW-hex, 1/4-20 x 3/8	LM-09274-28	2
6	WASHER-lock, 9/16	LM-09286-36	1
7	SWITCH-starter	LM-01222-01	1
	Includes:		
8	KEY & RING	LM-01222-03	1
9	NUT-hex, special	LM-01222-35	1
10	SWITCH & HARNESS	LM-01718-02	1
11	CLAMP-handle cable	LM-01088-12	3
12	SCREW-pan, 10-24 x 3/8	LM-09276-63	2
13	BATTERY	LM-01724-15	1
14	CLIP-spring, battery	LM-01702-98	1
15	SUPPORT-battery	LM-01714-76	1
16	CHARGER-battery	LM-01724-31	1
	FILM-ignition (not shown)	LM-01718-00	1

ALWAYS FURNISH MODEL AND SERIAL NUMBER WHEN ORDERING PARTS.



Part No.	Description	Qty.	Part No.	Description	Qty.
LM-01086-39	Adjuster-front height	4	LM-01749-14	Film-Homelite	1
LM-01086-40	Plate-adjusting	4	LM-01749-15	Film-M19E	2
LM-01086-41	Spring-adjuster	4	LM-01718-00	Film-ignition	1
LM-01087-04	Stiffener-blade	1	LM-01749-21	Film-stripe	1
LM-01087-16	Adapter-blade	1	LM-09102-24	Key-Woodruff #6	1
LM-01087-27	Latch-handle	1	LM-09908-01	Bag-leaf	2
LM-01087-79	Film-instruction	1		Plate-I. D.	1
LM-01087-86	Rod-bag support	1	LM-81610-45	Clip-spring	2
LM-01087-93	Tubing-handle	1	FASTENING PARTS		
LM-01088-12	Clamp-cable handle	3	LM-01086-97	Nut-pilot twin	4
LM-01088-18	Guard-bag	1	LM-01086-99	Speed Nut	1
LM-01088-31	Housing-19"	1	LM-01087-11	Bolt-shoulder	4
LM-01088-47	Handle-upper	1	LM-01087-64	Bolt-front wheel	2
	Engine	1	LM-01087-78	Bolt-curved head	2
LM-01088-50	Blade-19"	1	LM-01088-34	Bolt-latch handle	2
LM-01088-53	Guard-bag	1	LM-01088-35	Nut-latch handle	1
LM-01222-01	Switch-starter	1	LM-01088-48	Nut-wing	2
LM-01222-03	Key & Ring	1	LM-01222-35	Nut-hex	1
LM-01701-53	Wheel-front	2	LM-01540-26	Washer	1
LM-01701-54	Wheel & Tire-rear	2	LM-01701-35	Bolt-rear wheel	2
LM-01701-55	Cap-hub	2	LM-01701-57	Washer-spring	4
LM-01701-56	Cap-hub	2	LM-01724-29	Screw-special	2
LM-01702-74	Baffle-muffler	1	LM-09157-41	Nut-1/4-20	1
LM-01702-98	Clip-spring battery	1	LM-09169-64	Washer-1/4	1
LM-01714-75	Harness	1	LM-09173-56	Washer-5/16	3
LM-01714-76	Support-battery	1	LM-09173-72	Nut-5/16-18	1
LM-01714-77	Bracket-switch	1	LM-09173-77	Washer-1/4	4
LM-01716-44	Baffle	1	LM-09173-96	1/4-20 x 1	1
LM-01716-45	Plate-cover	1	LM-09176-42	Washer-5/16	1
LM-01716-48	Chute	1	LM-09182-28	3/8-16 x 5/8	4
LM-01716-51	Spring	2	LM-09204-27	Washer-3/8	4
LM-01717-80	Handle-lower	1	LM-09221-28	3/8-24 x 1-1/2	1
	Engine	1	LM-09233-58	Nut-1/4-20	2
LM-01718-02	Switch & Harness	1	LM-09233-62	Nut-5/16-18	1
LM-01718-17	Bracket-left hand	1	LM-09274-28	1/4-20 x 3/8	4
LM-01718-18	Bracket-right hand	1	LM-09276-63	10-24 x 3/8	2
LM-01721-65	Handle-upper	1	LM-09280-06	8 x 1/2	1
LM-01724-15	Battery	1	LM-09286-36	Washer-9/16	1
LM-01724-31	Charger-battery	1	LM-09286-90	8 x 1/2	3
LM-01729-80	Decal-safety	1	LM-09286-94	1/4-20 x 5/8	1
LM-01745-96	Bag	1	LM-09286-96	Bolt-3/8-16 x 1	3
LM-01746-20	Film-M19	2	LM-09286-97	Bolt-5/16-18 x 1	2
LM-01746-56	Shroud	1	LM-09286-98	Nut-5/16-18	2
LM-01749-13	Film-throttle control	1	LM-09287-05	Nut-speed	1

HOMELITE®

A **Textron** DIVISION, PORT CHESTER, N. Y. 10573