

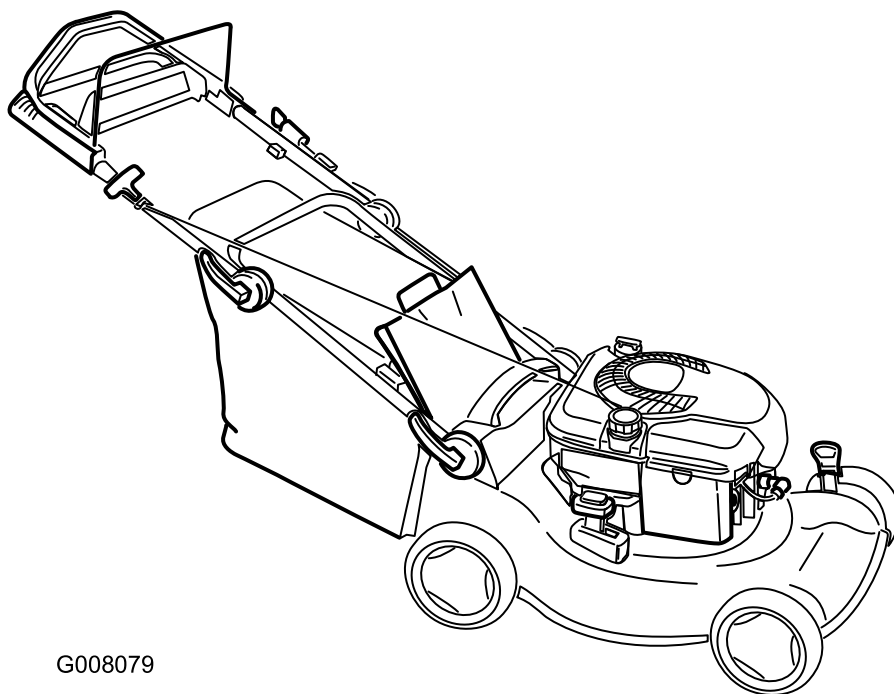


HAYTER

MAKERS OF THE FINEST MOWERS

Parts Catalogue

R48 Recycling Mower



G008079

Code 446E

Serial No. 280S00001

Manual Part No. 111-2088 Rev B

Contents

Description	Page	Description	Page
Deck and Baffle Assembly 3	Air Cleaner Assembly Briggs and Stratton 126T02-1841-B1 14
Drive Assembly 4	Governor Assembly Briggs and Stratton 126T02-1841-B1 15
Height-of-Cut and Front Wheel Assembly 5	Muffler and Fuel Tank Assembly Briggs and Stratton 126T02-1841-B1 16
Engine Assembly 6	Blower Housing Assembly Briggs and Stratton 126T02-1841-B1 17
Lower Handle Assembly 7	Starter Assembly Briggs and Stratton 126T02- 1841-B1 18
Upper Handle Assembly 8	Gasket Kit Briggs and Stratton 126T02-1841- B1 19
Grassbag Assembly 9	Carburetor Overhaul Kit Briggs and Stratton 126T02-1841-B1 20
Cylinder Assembly Briggs and Stratton 126T02-1841-B1 10	Attachments and Accessories List 21
Crankshaft Assembly Briggs and Stratton 126T02-1841-B1 11		
Crankcase Assembly Briggs and Stratton 126T02-1841-B1 12		
Carburetor Assembly Briggs and Stratton 126T02-1841-B1 13		

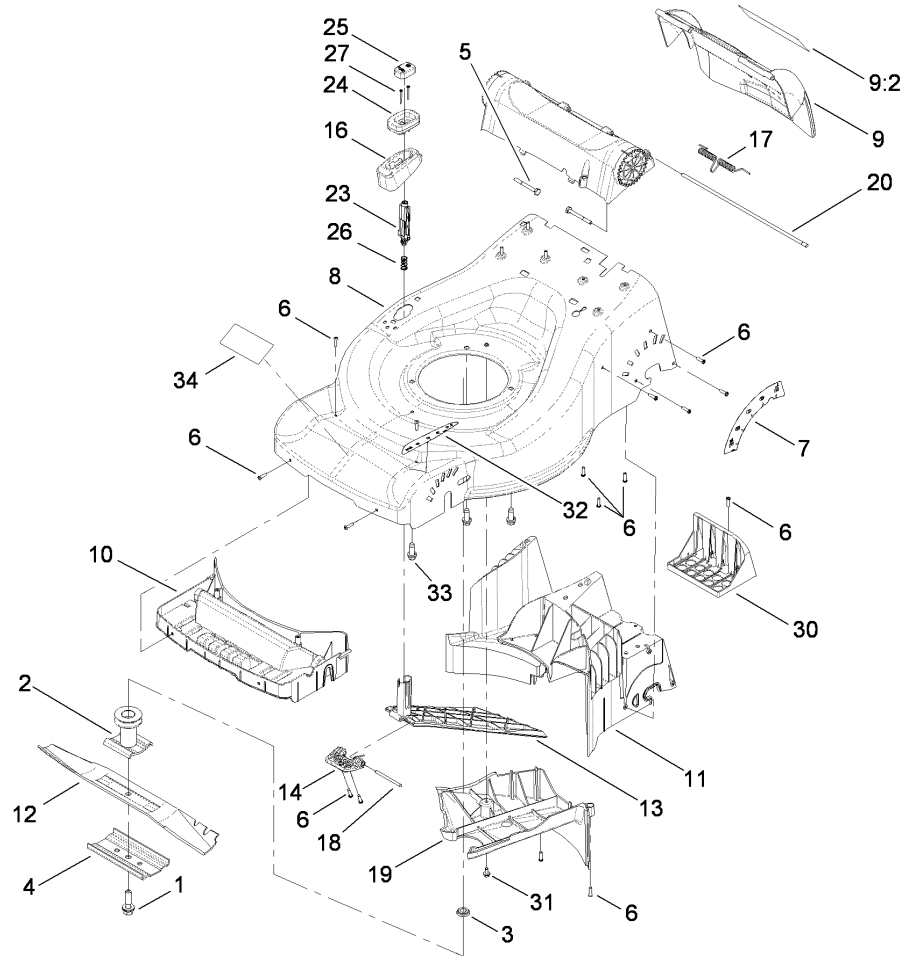
Part Description Abbreviations

Part descriptions in this catalog may include the following abbreviations.

AR. as required	HYD. hydraulic
ASM. assembly	LH. left hand
BBC. blade brake clutch	NI. nylon insert
CARR. carriage	NPTF. national pipe thread fine
DEG. degrees	PFH. phillips flat head
EXT. external	PPH. phillips pan head
FH. flat head	PPHTF. phillips pan head thread forming
GA. gauge	PRH. phillips round head
HD. heavy-duty	PTH. phillips truss head
HF. hex flange	PTO. power-take-off
HH. hex head	RH. right hand
HHF. hex head flange	ROPS. roll-over protection system
HHFTF. hex head flange thread forming	SFH. slotted fillister head
HJ. hex jam	SHH. slotted hex head
HLH. hex lag head	SHWH. slotted hex washer head
HOC. height-of-cut	SPH. slotted pan head
HSBH. hex socket button head	SQH. square head
HSFH. hex socket flat head	SRH. slotted round head
HSH. hex socket head	STD. standard
HWH. hex washer head	TAP. self tapping
HWHTF. hex washer head thread forming	TTH. torx truss head

Footnotes

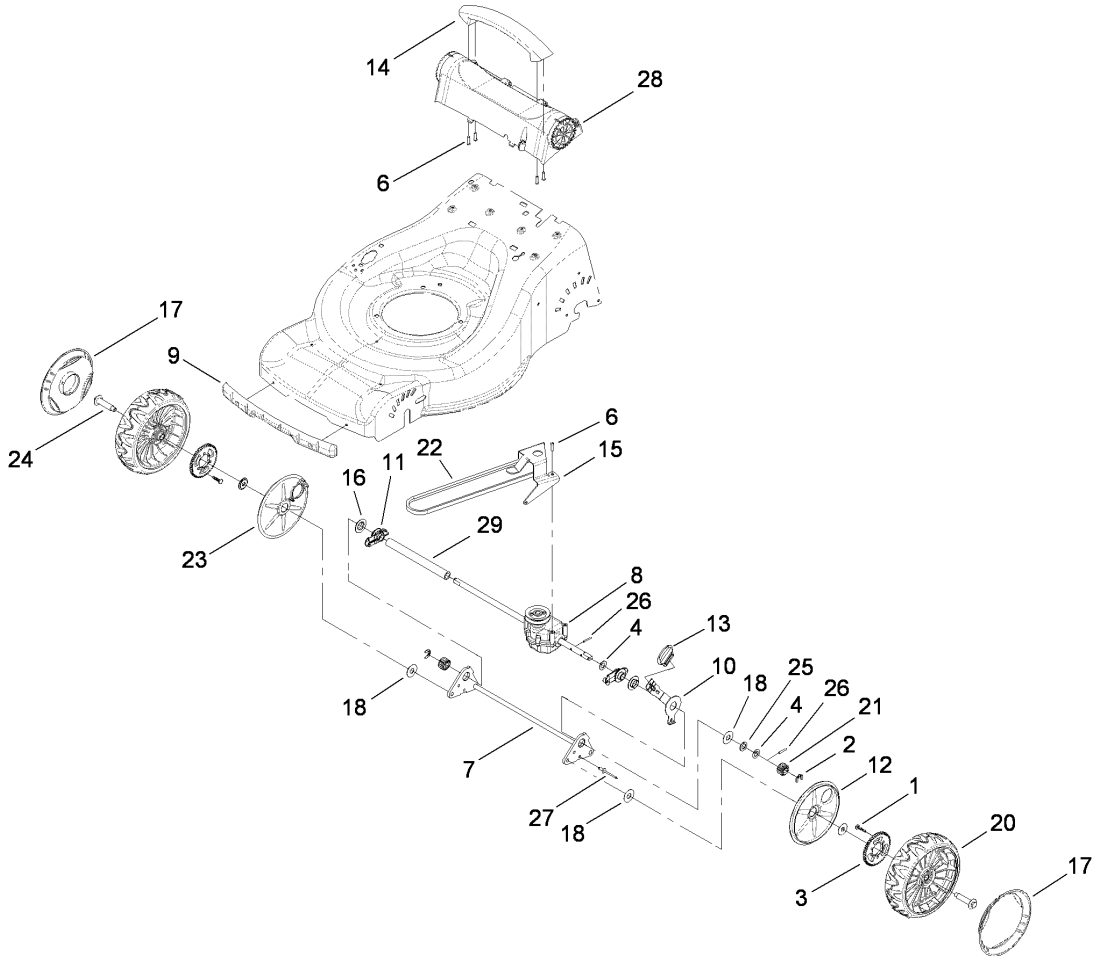
- | | |
|--|---|
| ❶ Not serviced separately | ❷ Obtain from your local Briggs & Stratton dealer |
| ❸ Included in Carburetor Overhaul Kit (Ref. No. 121) | ❹ Included in Engine Gasket Set (Ref. No. 358) |
| ❺ Included in Carburetor Gasket Set (Ref. No. 977) | |



Deck and Baffle Assembly

Ref	Part No.	Qty.	Description
1	105-8579	1	Bolt-Blade
2	106-3987	1	Blade Driver ASM
3	106-3999	1	Spacer-Driver
4	108-3766	1	Support-Blade
5	110-7110	2	Screw-HH
6	110-1271	23	Screw-Torx, Pan Head
7	110-7058	1	Decal-HOC, Rear
8	115-2784	1	Housing-Deck
9	114-5373	1	Rear Door ASM
9:2	110-7126	1	Decal-Warning
10	110-7066	1	Baffle-Front
11	114-5380	1	Baffle-Rear
12	110-7080	1	Blade
13	110-7094	1	Door-Recycle
14	110-7095	1	Hinge-Door, Recycle
16	110-7097	1	Cover-Door, Recycle
17	110-7107	1	Spring-Torsion
18	110-7108	1	Pin-Hinge
19	110-7109	1	Cover-Belt
20	110-7119	1	Bar-Pivot, Rear Door
23	110-7129	1	Latch-Recycle
24	110-7136	1	Housing-Knob
25	110-7138	1	Knob
26	110-7141	1	Spring-Compression

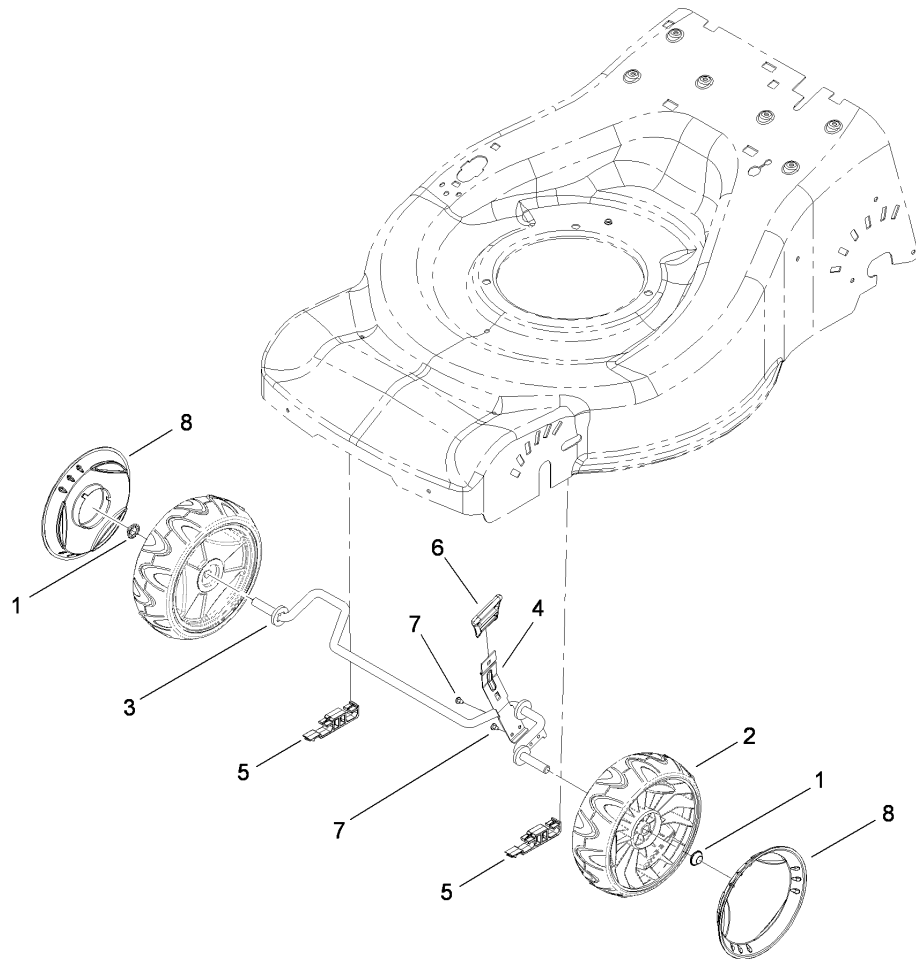
Ref	Part No.	Qty.	Description
27	110-7143	2	Screw-Torx, Pan Head
30	110-7154	1	Tray-Battery
31	110-7170	1	Screw-HH
32	110-7178	1	Decal-HOC
33	110-7182	3	Screw-Taptite, HWH
34	410087	1	Decal-Hayter



Drive Assembly

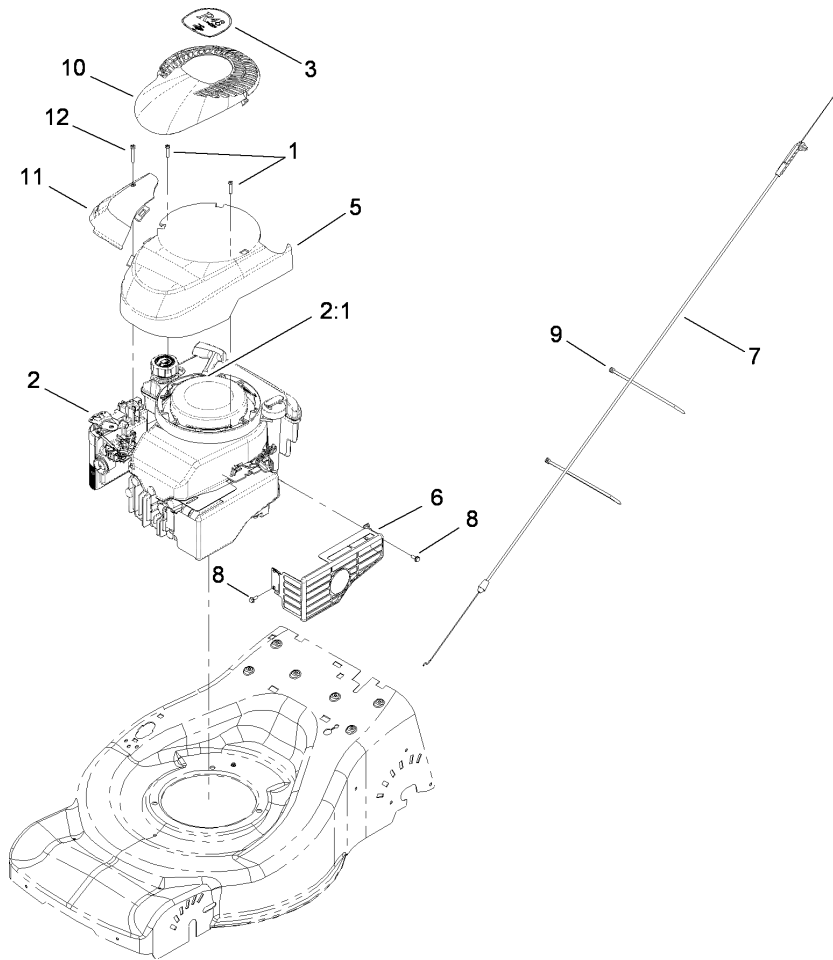
Ref	Part No.	Qty.	Description
1	27-6260	6	Screw-Drive
2	65-2720	2	Ring-Clip, Locking
3	105-3035	2	Gear-Wheel, 52T
4	112-3911	2	Washer-Thrust, Keyed
6	110-1271	7	Screw-Torx, Pan Head
7	110-7016	1	Pivot Bar ASM
8	110-7042	1	Gearbox ASM
9	110-7067	1	Bumper-Front
10	110-7073	1	Lever-HOC, Rear
11	110-7112	2	Bushing-Camlock
12	110-7114	2	Cover-Wheel
13	110-7125	1	Knob-HOC
14	110-7155	1	Handle-Rear
15	110-7158	1	Bracket-Gear Case
16	110-7171	2	Spacer-Flange
17	110-7174	2	Cover-Wheel, Rear
18	110-7179	3	Washer
20	110-7254	2	Rear Wheel ASM
21	110-9417	2	Pinion
22	110-9429	1	V-Belt
23	614426	2	Washer-Stepped
24	614650	2	Bolt-Shoulder
25	110-7191	1	Washer-Thrust
26	110-7192	2	Pin-Roll

Ref	Part No.	Qty.	Description
27	110-7193	1	Rivet-Pop
28	114-5372	1	Mount-Handle
29	115-3850	1	Spacer



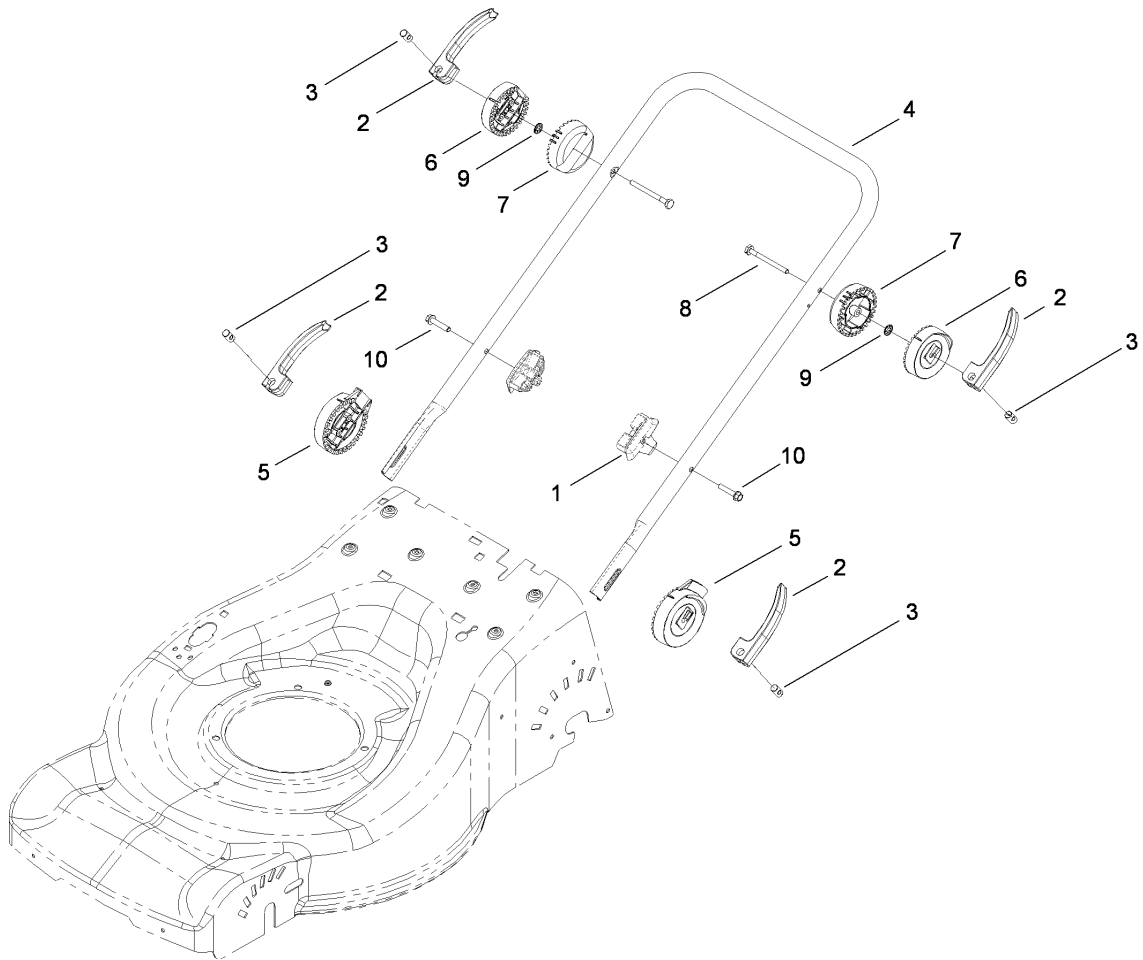
Height-of-Cut and Front Wheel Assembly

Ref	Part No.	Qty.	Description
1	110-1278	2	Cap-Starlock, Push
2	110-7032	2	Front Wheel ASM
3	110-7033	1	Front Axle ASM
4	114-5376	1	Lever-HOC, Front
5	110-7068	2	Clamp-Axle, Front
6	110-7125	1	Knob-HOC
7	110-7175	2	Screw-Pan Head, TAP
8	110-7176	2	Cover-Wheel, Front



Engine Assembly

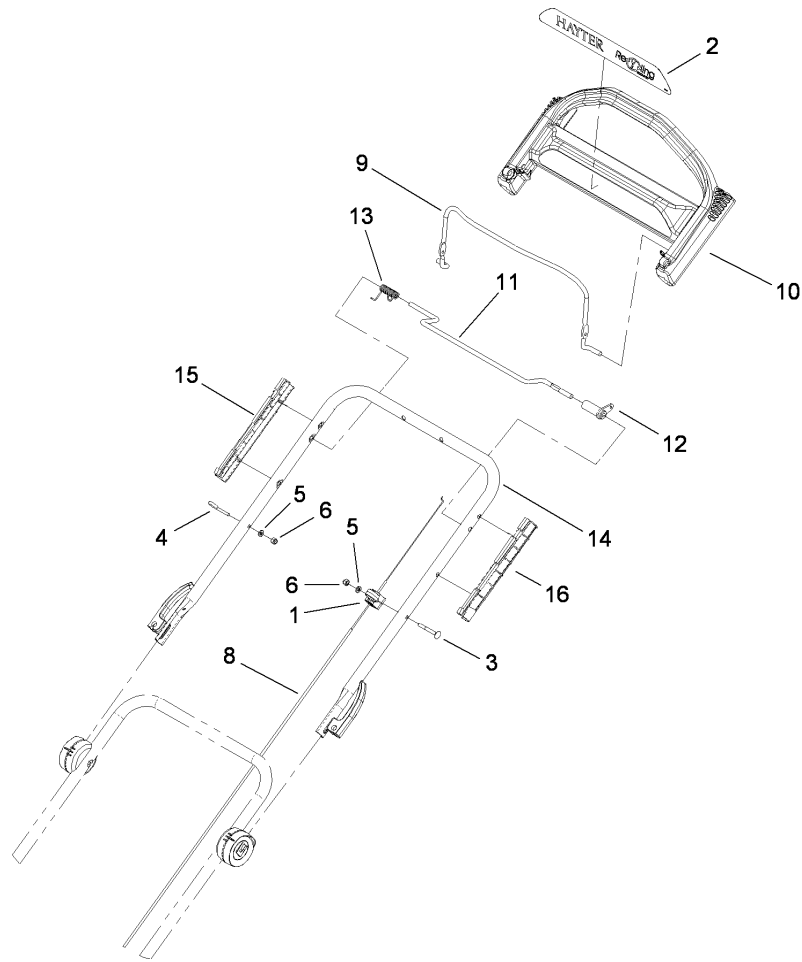
Ref	Part No.	Qty.	Description
1	93-0231	2	Screw-PPH
1 2		1	Engine-Briggs & Stratton, 126T02-1841-B1
2:1	2210-316	1	Stop-Rope
3	111-1906	1	Decal
5	115-3859	1	Shroud
6	115-2787	1	Shield-Muffler
7	110-9163	1	Cable-Brake
8	32144-1	2	Screw-Taptite
9	614249	2	Strap-Tie
10	115-3860	1	Cover-Rewind
11	115-3861	1	Cover-Control
12	115-3862	1	Screw-PPH



Lower Handle Assembly

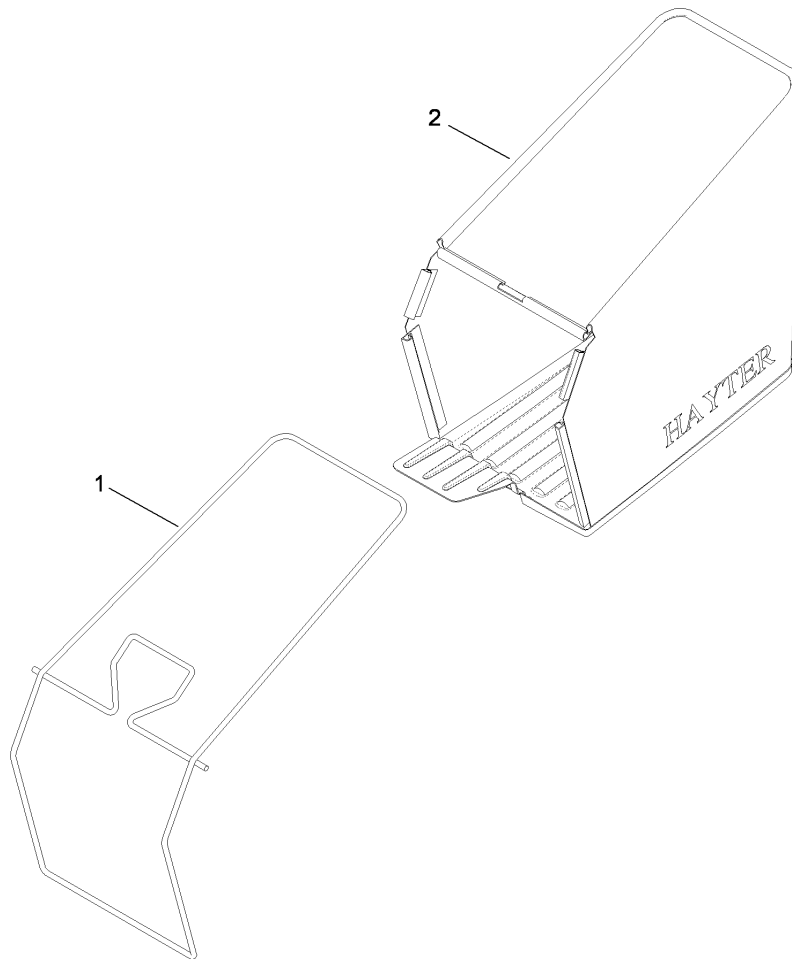
Ref	Part No.	Qty.	Description
1	112-3928	2	Anchor-Bag
2	115-2791	4	Lever-Locking, Handle
3	110-1180	4	Pivot-Pin, Threaded
4	110-7083	1	Handle-Hoop, Lower
5	114-5381	2	Adapter-Ratchet, Lower
6	110-7156	2	Adapter-Ratchet, Midpoint
7	110-7157	2	Adapter-Clamp, Midpoint
8	110-7161	2	Screw-HH
9	110-7188	2	Washer-Starlock, Push
10	32144-110	2	Screw-HWH

--	--	--	--



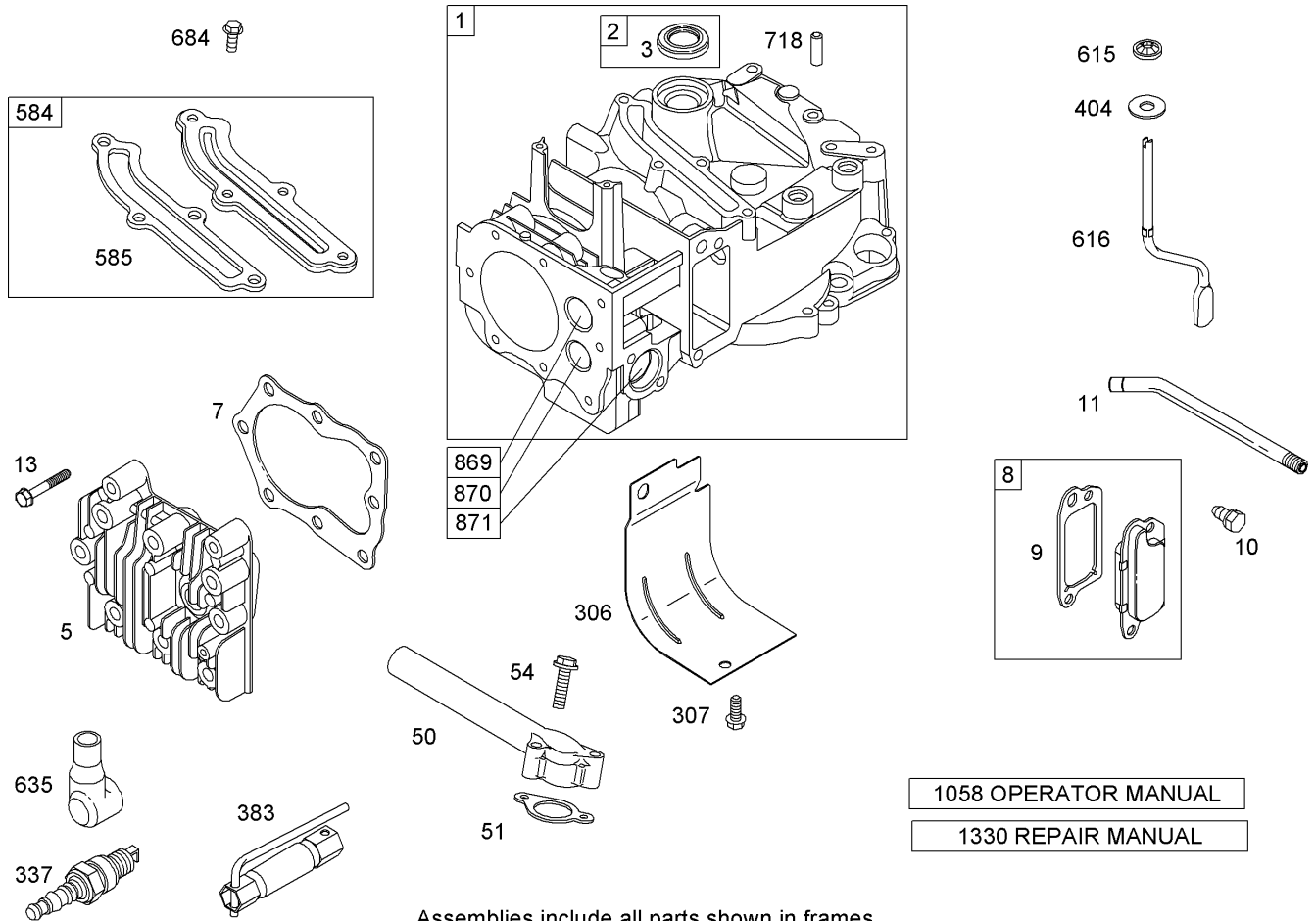
Upper Handle Assembly

Ref	Part No.	Qty.	Description
1	99-5239	1	Anchor-Cable
2	111-1905	1	Decal-Ads, Handle
3	33123-050	1	Screw-CARR
4	110-7186	1	Guide-Cord
5	110-8450	2	Washer
6	110-8451	2	Nut-Hex, Nyloc
8	110-9162	1	Cable-Traction
9	104-8679-03	1	Bail-Brake
10	104-8678	1	Handle-Control
11	99-1588	1	Bar-Control, Traction
12	99-1589	1	Lever-Traction
13	104-8690	1	Spring-Torsion
14	114-5369	1	Handle-Upper
15	105-6841	1	Guide-RH
16	105-6842	1	Guide-LH



Grassbag Assembly

Ref	Part No.	Qty.	Description
1	114-5374	1	Bag Frame ASM
2	115-2793	1	Bag ASM

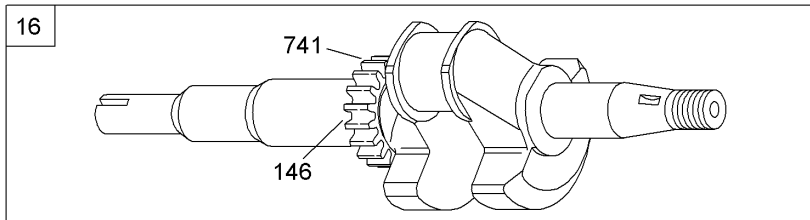
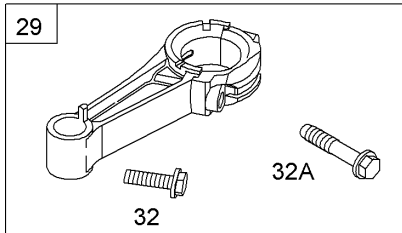
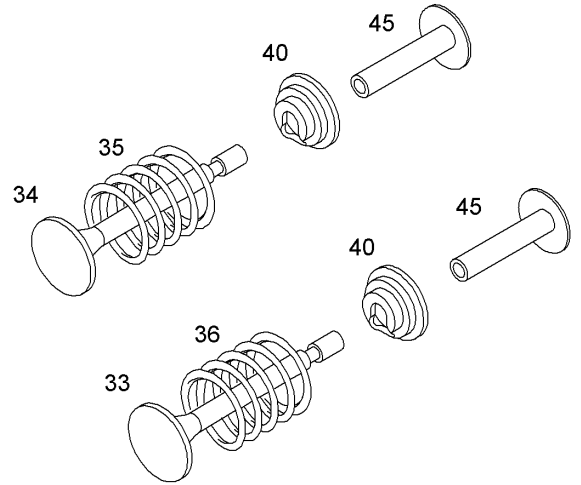
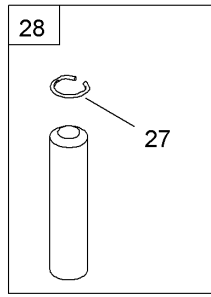
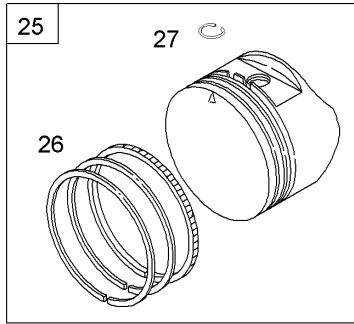


Assemblies include all parts shown in frames

Cylinder Assembly Briggs and Stratton 126T02-1841-B1

Ref	Part No.	Qty.	Description
1	697322	1	Cylinder ASM
2	399269	1	Bushing And Seal Kit
3	299819s	1	Seal-Oil (Magneto Side)
5	691160	1	Head-Cylinder
7	692249	1	Gasket-Head, Cylinder
8	695250	1	Breather ASM
9	696125	1	Gasket-Breather
10	691125	1	Screw (Breather ASM)
11	691781	1	Tube-Breather
13	690912	1	Screw (Cylinder Head)
50	497465	1	Manifold-Intake
51	272199s	1	Gasket-Intake
54	691650	1	Screw (Intake Manifold)
306	690450	1	Shield-Cylinder
307	690345	1	Screw (Cylinder Shield)
337	802592s	1	Plug-Spark
383	89838s	1	Wrench-Spark Plug
404	690272	1	Washer (Governor Crank)
584	697734	1	Cover-Passage, Breather
585	691879	1	Gasket-Passage, Breather
615	690340	1	Retainer-Shaft, Governor
616	698801	1	Crank-Governor
635	793351	1	Boot-Spark Plug
684	690345	1	Screw (Breather Passage Cover)

Ref	Part No.	Qty.	Description
718	690959	1	Pin-Locating
869	691155	1	Seat-Valve (Intake)
870	690380	1	Seat-Valve (Exhaust)
871	262001	1	Bushing-Guide (Exhaust)
871	63709	1	Bushing-Guide (Intake)
1058	MS3262	1	Operator Manual (West)
1058	MS3786	1	Operator Manual (East)
1330	270962	1	Repair Manual

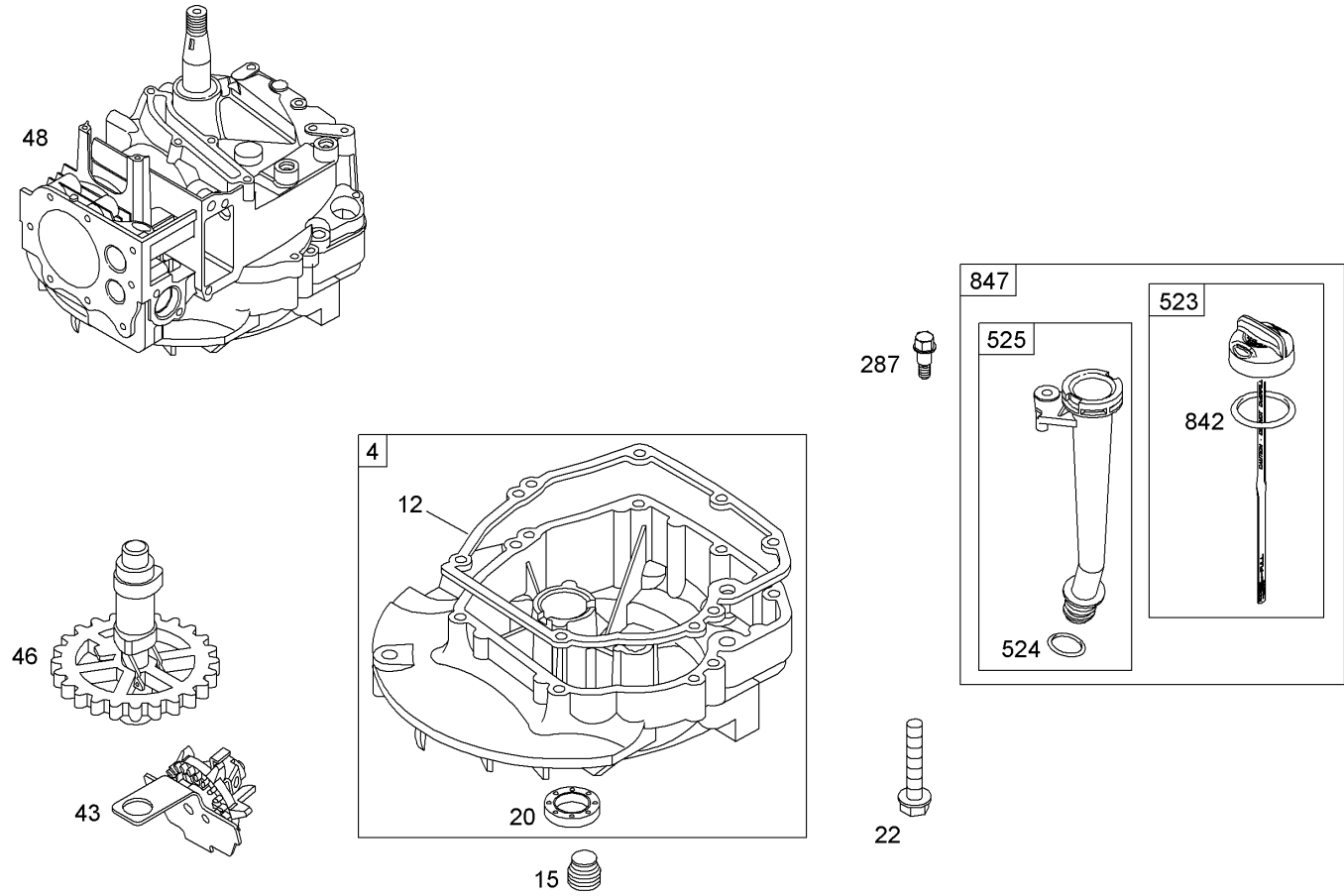


Assemblies include all parts shown in frames

Crankshaft Assembly Briggs and Stratton 126T02-1841-B1

Ref	Part No.	Qty.	Description
16	696009	1	Crankshaft
24	222698s	1	Key-Flywheel
25	791097	1	Piston ASM (STD)
25	791326	1	Piston ASM (.020 O S)
26	791098	1	Ring Set (STD)
26	791324	1	Ring Set (.020 O S)
27	691866	1	Lock-Pin, Piston
28	499423	1	Pin-Piston (STD)
29	499424	1	Rod-Connecting (STD)
32	691664	1	Screw (Connecting Rod)
32A	695759	1	Screw (Connecting Rod)
33	262651s	1	Valve-Exhaust
34	262652s	1	Valve-Intake
35	691270	1	Spring-Valve (Intake)
36	691270	1	Spring-Valve (Exhaust)
40	692194	1	Retainer-Valve
45	690548	1	Tappet-Valve
146	690979	1	Key-Timing
741	691830	1	Gear-Timing

--	--	--	--

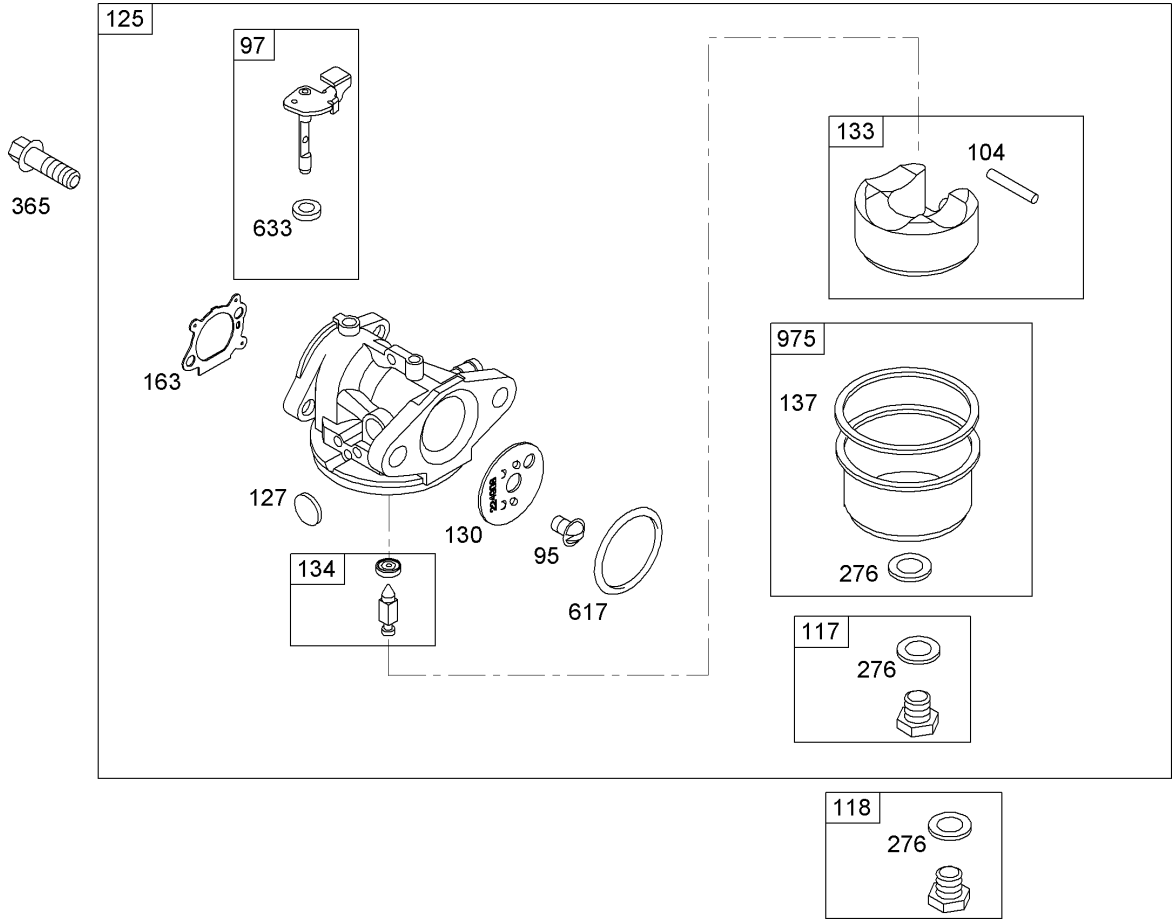


Assemblies include all parts shown in frames

Crankcase Assembly

Briggs and Stratton 126T02-1841-B1

Ref	Part No.	Qty.	Description				
④4	493279	1	Sump-Engine				
④④12	692232	1	Gasket-Crankcase (.015 STD)				
④15	691680	1	Plug-Drain, Oil				
④④20	399781s	1	Seal-Oil				
④22	691092	1	Screw (Engine Sump)				
④43	691997	1	Slinger-Oil, Governor				
④46	691449	1	Camshaft				
④48	792742	1	Sump-Engine				
④287	690940	1	Screw (Dipstick Tube)				
④523	499621	1	Dipstick				
④④524	692296	1	Seal, O-Ring (Dipstick Tube)				
④525	495265	1	Tube-Dipstick				
④④842	691031	1	Seal, O-Ring (Dipstick Tube)				
④847	692047	1	Dipstick Tube ASM				

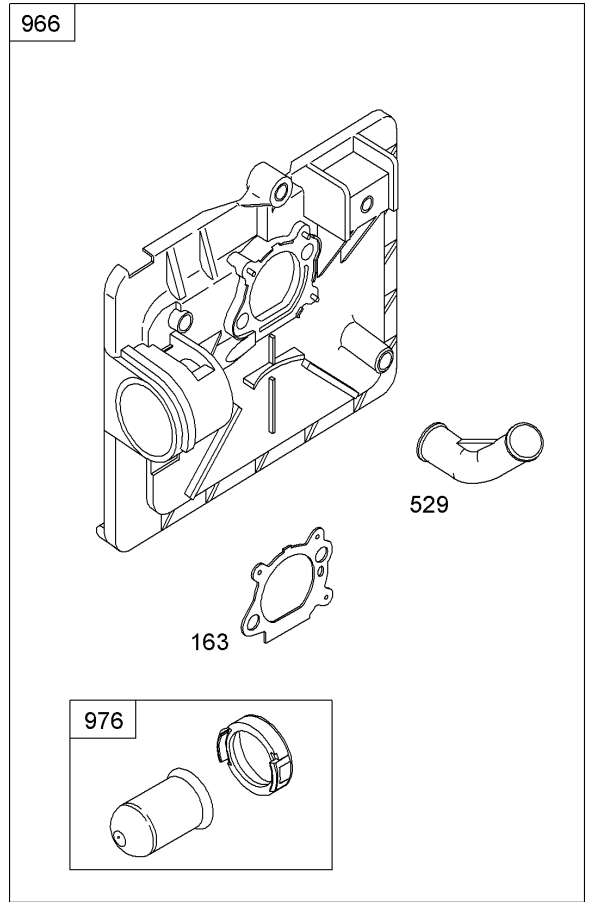
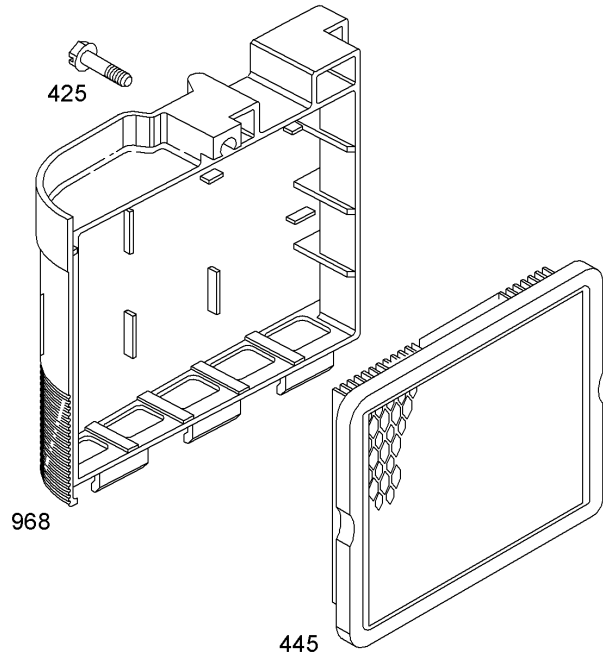


Assemblies include all parts shown in frames

Carburetor Assembly

Briggs and Stratton 126T02-1841-B1

Ref	Part No.	Qty.	Description
② 95	691636	1	Screw (Throttle Valve)
② 97	696565	1	Shaft-Throttle
② ③ 104	691242	1	Pin-Hinge, Float
② 117	498978	1	Jet-Main (STD)
② 118	494870	1	Jet-Main (High Altitude)
② 125	498170	1	Carburetor
② ③ 127	694468	1	Plug-Welch
② 130	696564	1	Valve-Throttle
② 133	398187	1	Float-Carburetor
② ③ 134	398188	1	Needle And Seat Kit
② ③ 137	693981	1	Gasket-Bowl, Float
⑤			
② ③ 163	272653	1	Gasket-Cleaner, Air
④ ⑤			
② ③ 276	271716	1	Washer-Sealing
⑤			
② 365	692524	1	Screw (Carburetor)
② ③ 617	270344s	1	Seal, O-Ring (Intake Manifold)
⑤			
② ③ 633	691321	1	Seal-Shaft, Choke Throttle
⑤			
② 975	493640	1	Bowl-Float

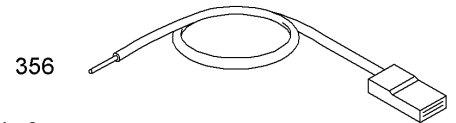
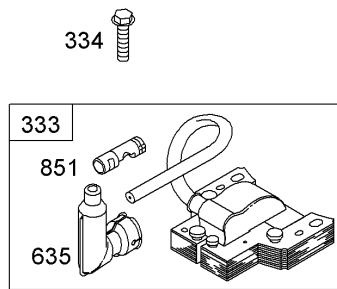
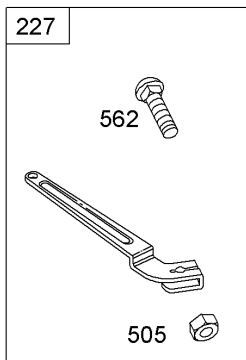
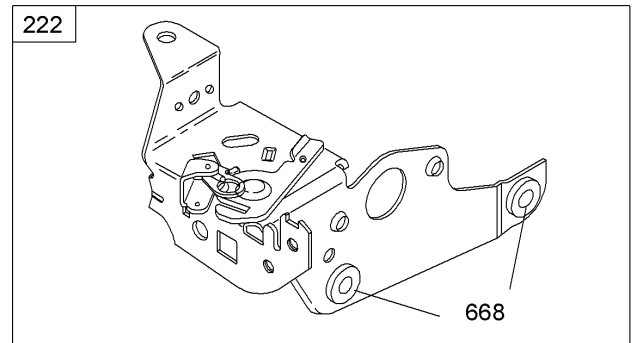
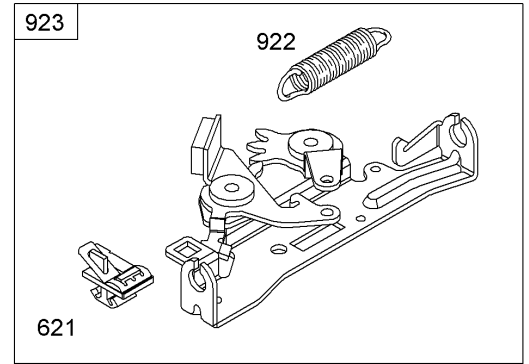
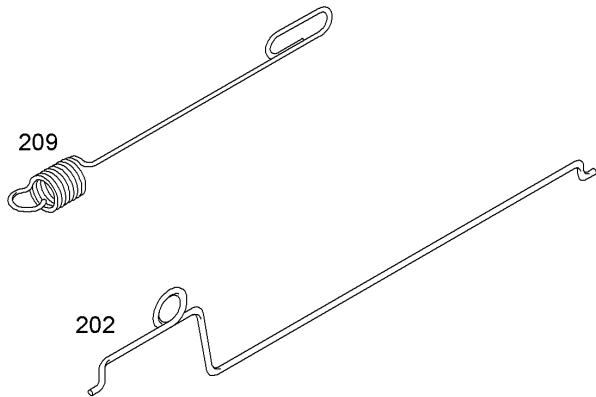


Assemblies include all parts shown in frames

Air Cleaner Assembly Briggs and Stratton 126T02-1841-B1

Ref	Part No.	Qty.	Description
② ③ 163	272653s	1	Gasket-Cleaner, Air
④			
② 425	690670	1	Screw (Air Cleaner Cover)
② 443	692523	1	Screw (Air Cleaner Primer Base)
② 445	491588s	1	Filter-Cartridge, Air Cleaner
② 529	691923	1	Grommet
966	792040	1	Base-Primer, Air Cleaner
② 968	692298	1	Cover-Cleaner, Air
② 976	694395	1	Primer-Carburetor

Ref	Part No.	Qty.	Description

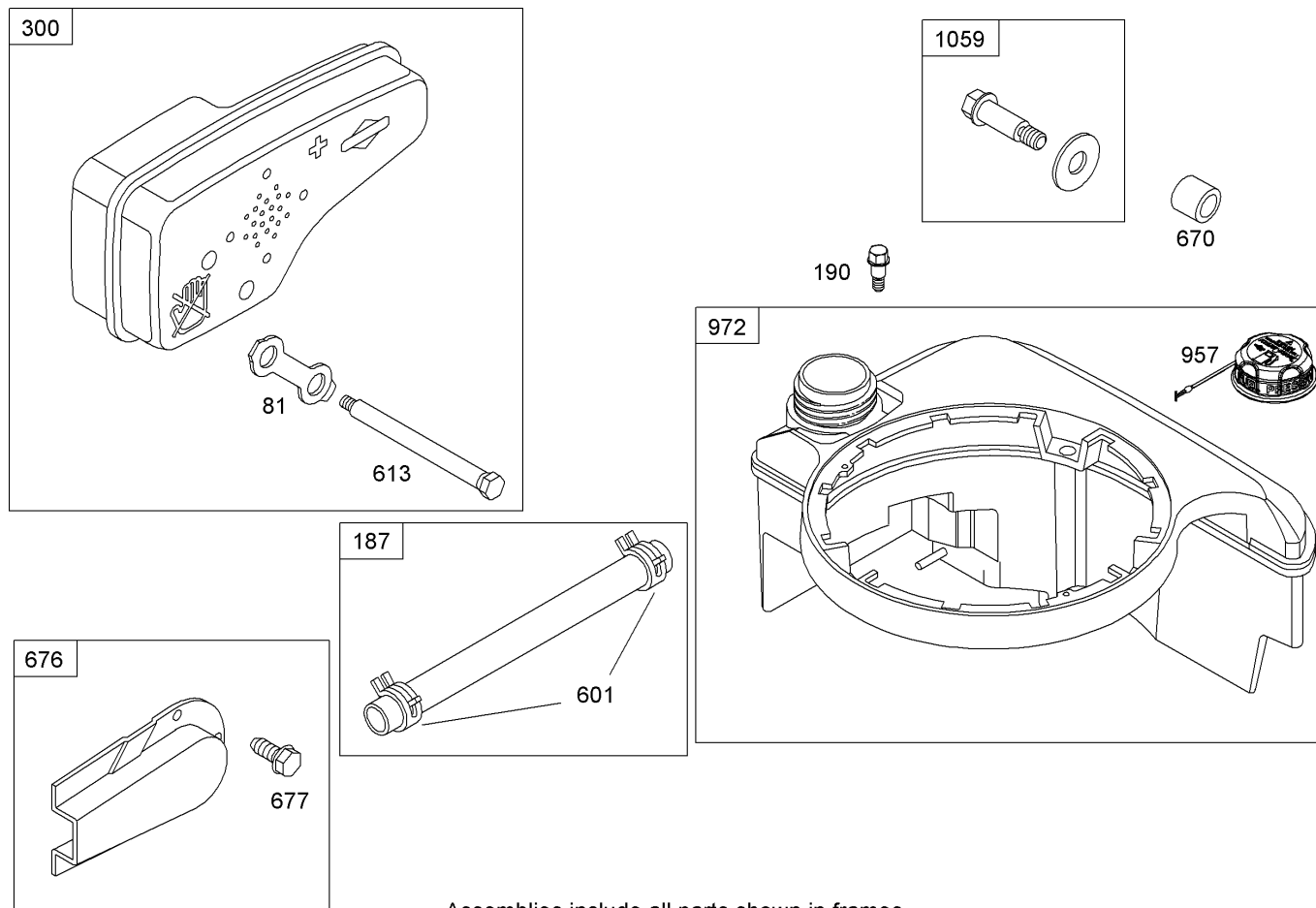


Assemblies include all parts shown in frames

Governor Assembly Briggs and Stratton 126T02-1841-B1

Ref	Part No.	Qty.	Description
②188	690877	1	Screw (Control Bracket)
②202	691829	1	Link-Governor, Mechanical
②209	691852	1	Spring-Governor
②222	793754	1	Bracket-Control
②227	690783	1	Lever-Control, Governor
②333	793353	1	Armature-Magneto
②334	691061	1	Screw (Magneto Armature)
②356	692390	1	Wire-Stop
②505	691251	1	Nut (Governor Control Lever)
②562	691119	1	Screw (Governor Control Lever)
②621	692310	1	Switch-Stop
②635	793351	1	Boot-Spark Plug
②④668	493823	1	Spacer
②745	691648	1	Screw (Brake)
②851	692424	1	Terminal-Spark Plug
②922	692135	1	Spring-Brake
②923	695891	1	Brake

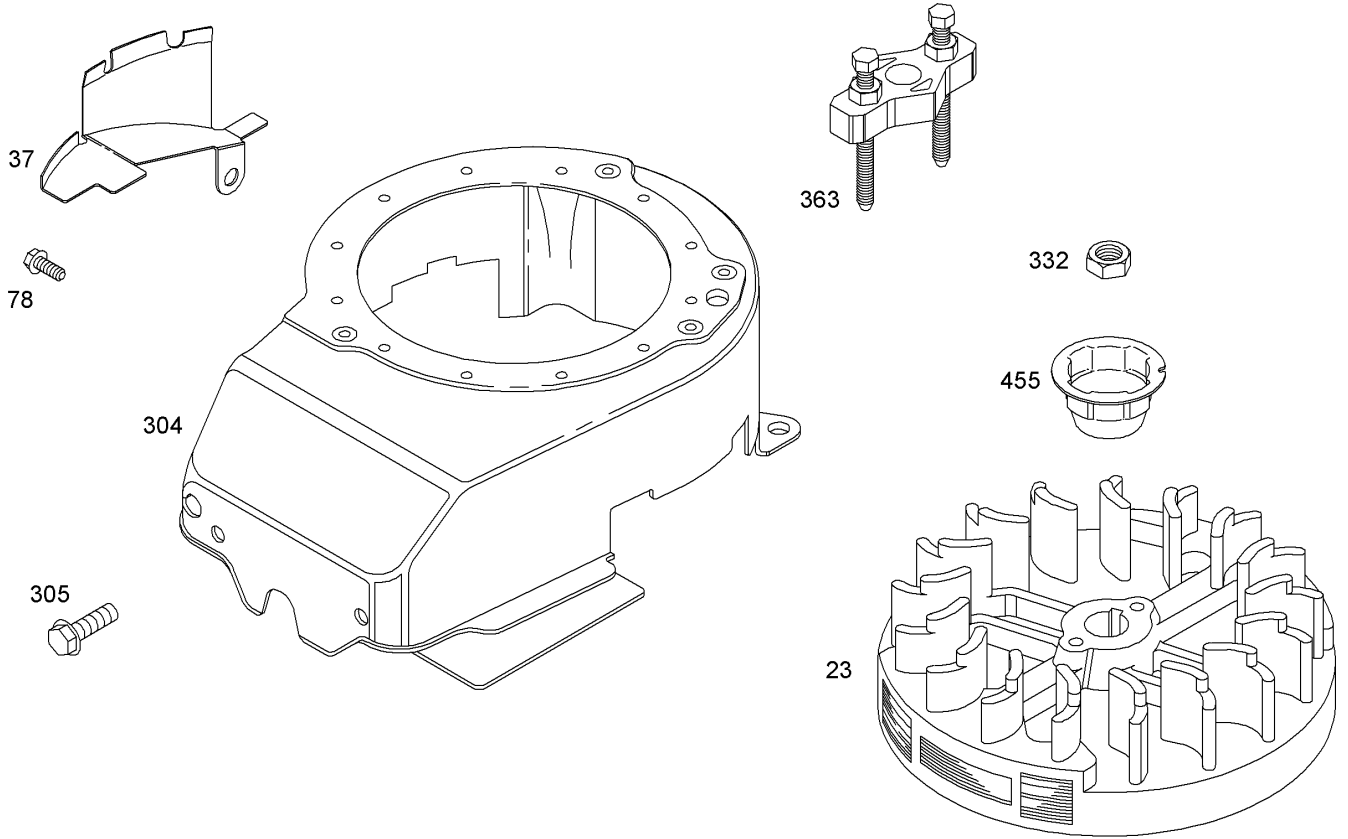
--	--	--	--



Assemblies include all parts shown in frames

Muffler and Fuel Tank Assembly Briggs and Stratton 126T02-1841-B1

Ref	Part No.	Qty.	Description
281	691740	1	Lock-Screw, Muffler
2187	791766	1	Line-Fuel (Cut To Required Length)
2190	690940	1	Screw (Fuel Tank)
2300	692038	1	Muffler
2601	791850	1	Clamp-Hose
2613	691340	1	Screw (Muffler)
2670	692294	1	Spacer-Tank, Fuel
2676	493871	1	Deflector-Muffler
2677	690661	1	Screw (Muffler Deflector)
2957	699985	1	Cap-Tank, Fuel
2972	699374	1	Tank-Fuel
21059	692311	1	Screw And Washer Kit



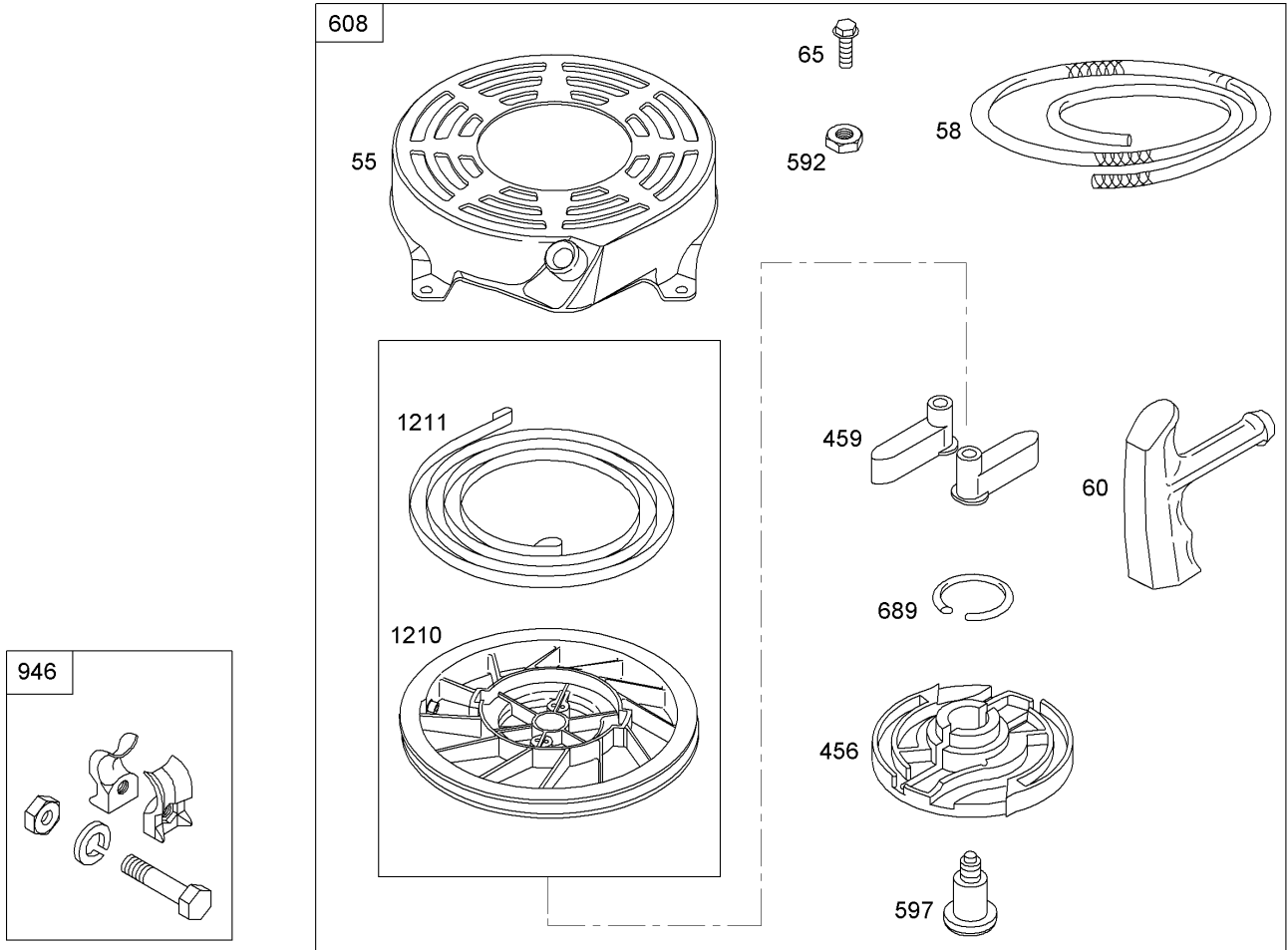
1036 EMISSIONS LABEL

Assemblies include all parts shown in frames

Blower Housing Assembly Briggs and Stratton 126T02-1841-B1

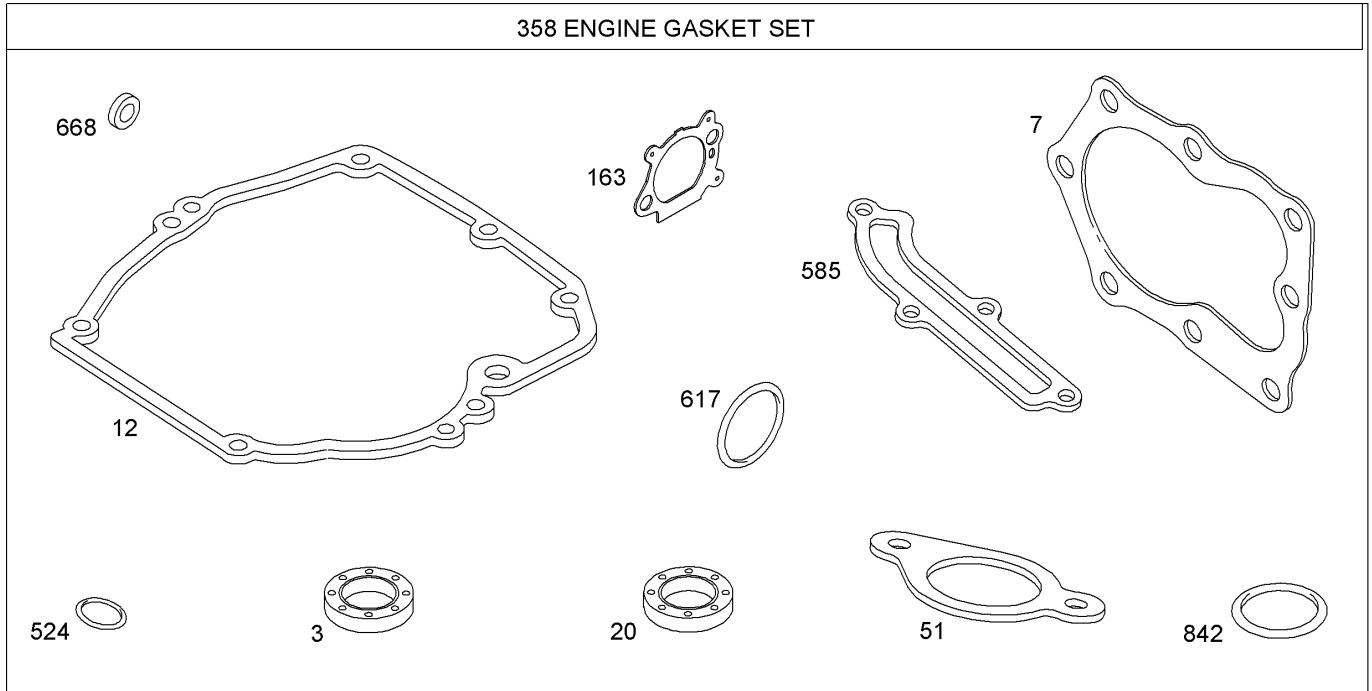
Ref	Part No.	Qty.	Description
23	691987	1	Flywheel
37	694086	1	Guard-Flywheel
78	691108	1	Screw (Flywheel Guard)
304	695892	1	Housing-Blower
305	691108	1	Screw (Blower Housing)
332	690662	1	Nut (Flywheel)
363	19069	1	Puller-Flywheel
455	791960	1	Cup-Flywheel
1036		1	Label-Emissions

--	--	--	--



Starter Assembly Briggs and Stratton 126T02-1841-B1

Ref	Part No.	Qty.	Description
⑤55	691421	1	Housing-Starter, Rewind
⑤58	697316	1	Rope-Starter (Cut To Required Length)
⑥60	281434s	1	Grip-Rope, Starter
⑥65	690837	1	Screw (Rewind Starter)
④56	692299	1	Plate-Friction, Pawl
④59	281505s	1	Ratchet-Pawl
⑤92	690800	1	Nut (Rewind Starter)
⑤97	691696	1	Screw (Pawl Friction Plate)
⑥08	497680	1	Starter-Rewind
⑥89	691855	1	Spring-Friction
⑨46	691738	1	Stop-Rope
⑫10	498144	1	Pulley And Spring ASM (Pulley)
⑫11	498144	1	Pulley And Spring ASM (Spring)

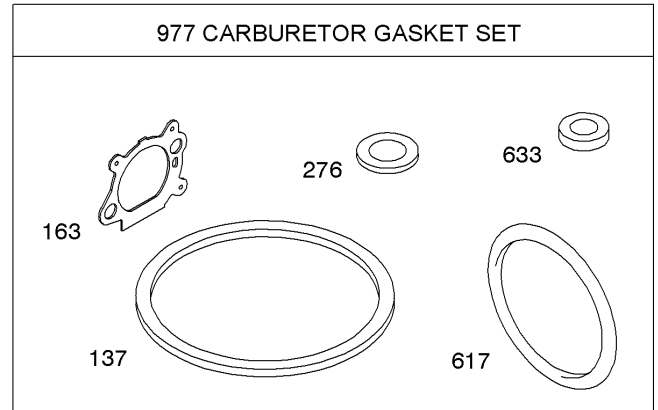
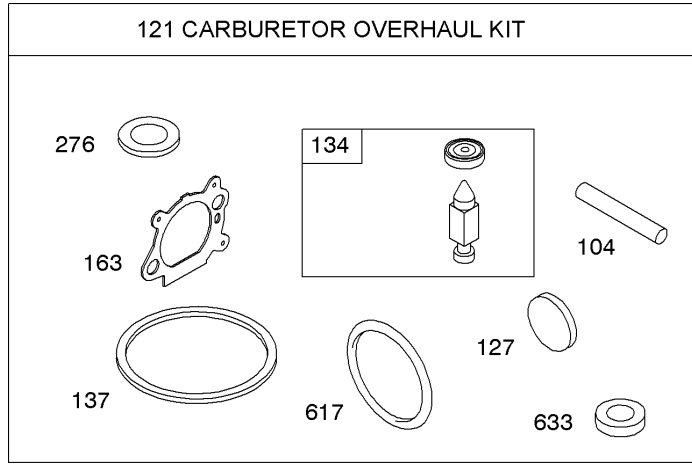


Assemblies include all parts shown in frames

Gasket Kit

Briggs and Stratton 126T02-1841-B1

Ref	Part No.	Qty.	Description
②④3	299819s	1	Seal-Oil (Magneto Side)
②④7	692249	1	Gasket-Head, Cylinder
②④12	692232	1	Gasket-Crankcase (.015 STD)
②④20	399781s	1	Seal-Oil (P-T-O Side)
②④51	272199s	1	Gasket-Intake
②⑤163 ④⑤	272653s	1	Gasket-Cleaner, Air
②358	497316	1	Engine Gasket Set
②④524	692296	1	Seal, O-Ring (Dipstick Tube)
②④585	691879	1	Gasket-Passage, Breather
②⑤617 ④⑤	270344s	1	Seal, O-Ring (Intake Manifold)
②④668	493823	1	Spacer
②④842	691031	1	Seal, O-Ring (Dipstick)



Assemblies include all parts shown in frames

Carburetor Overhaul Kit Briggs and Stratton 126T02-1841-B1

Ref	Part No.	Qty.	Description
②③104	691242	1	Pin-Hinge, Float
②121	498260	1	Carburetor Overhaul Kit
②③127	694468	1	Plug-Welch
②③134	398188	1	Needle And Seat Kit
②③137	693981	1	Gasket-Bowl, Float
⑤			
②③163	272653s	1	Gasket-Cleaner, Air
④⑤			
②③276	271716	1	Washer-Sealing
⑤			
②③617	270344s	1	Seal, O-Ring (Intake Manifold)
④⑤			
②③633	691321	1	Seal-Shaft, Choke Throttle
⑤			
②977	498261	1	Carburetor Gasket Set

Attachments and Accessories

For 446E - R48 Recycling Mower

Product Name

Model/Part

P2P Assist Handle Kit 99-6384

NOTES

NOTES

