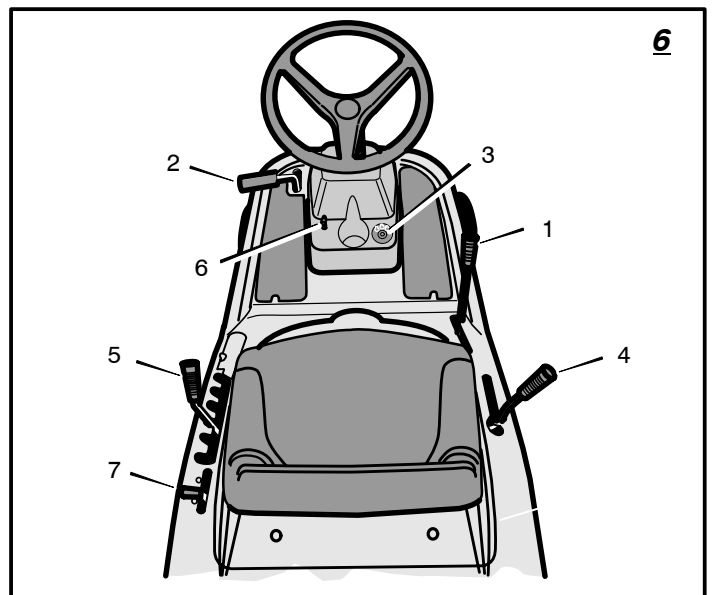
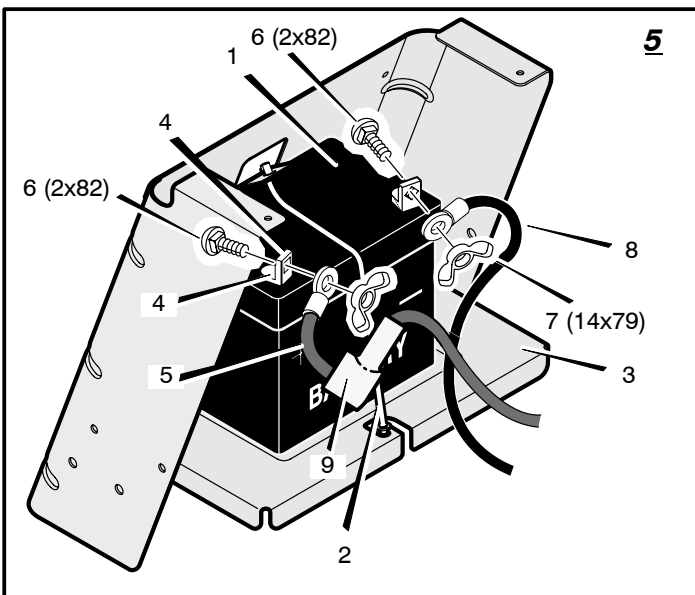
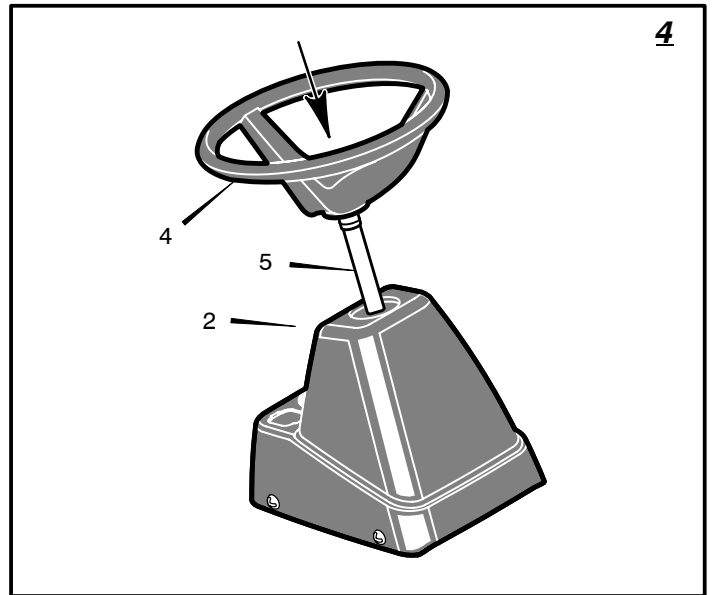
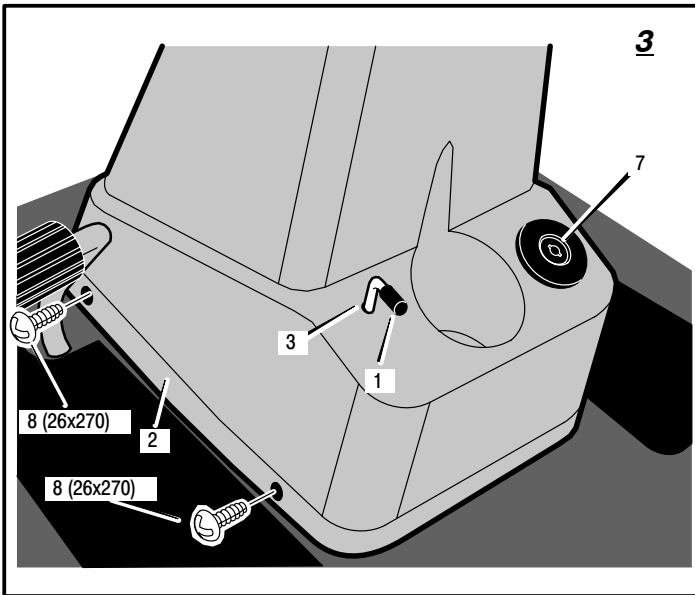
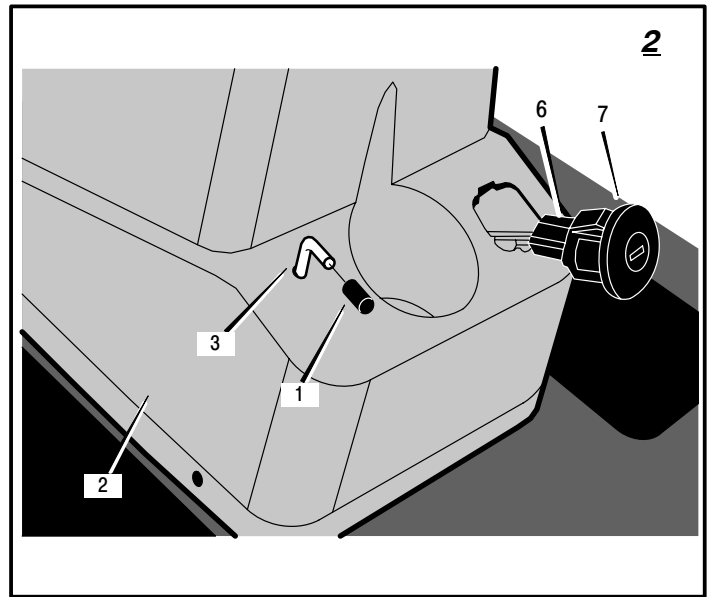
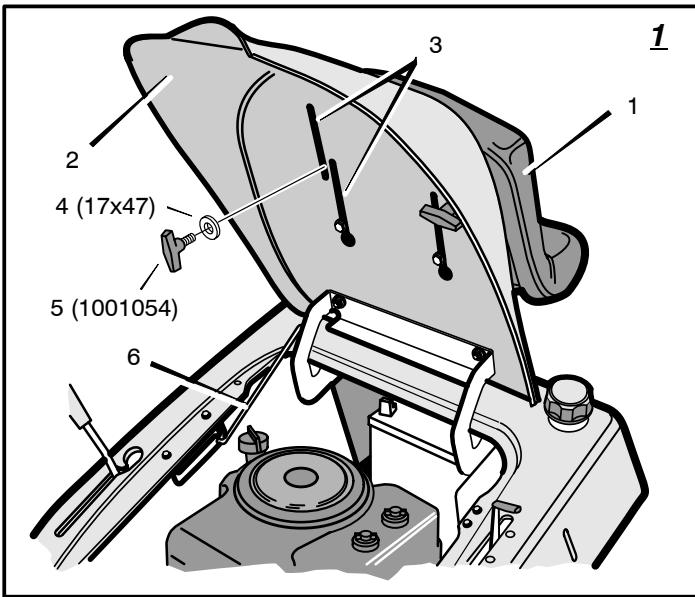
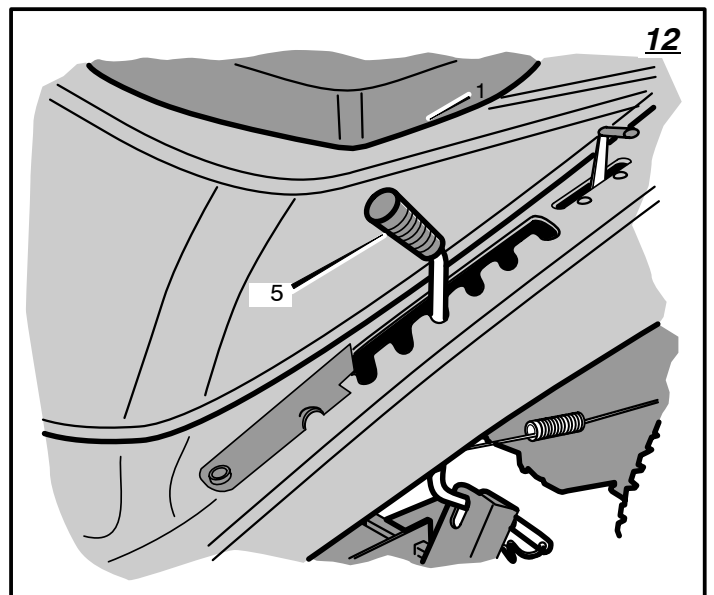
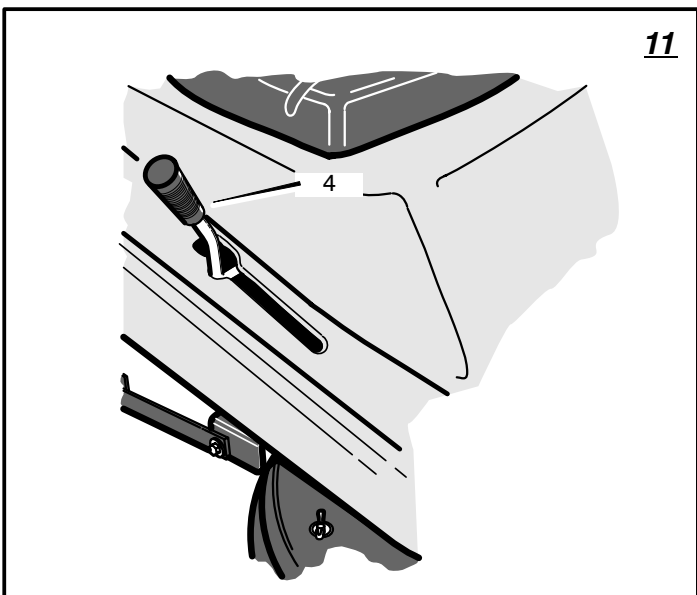
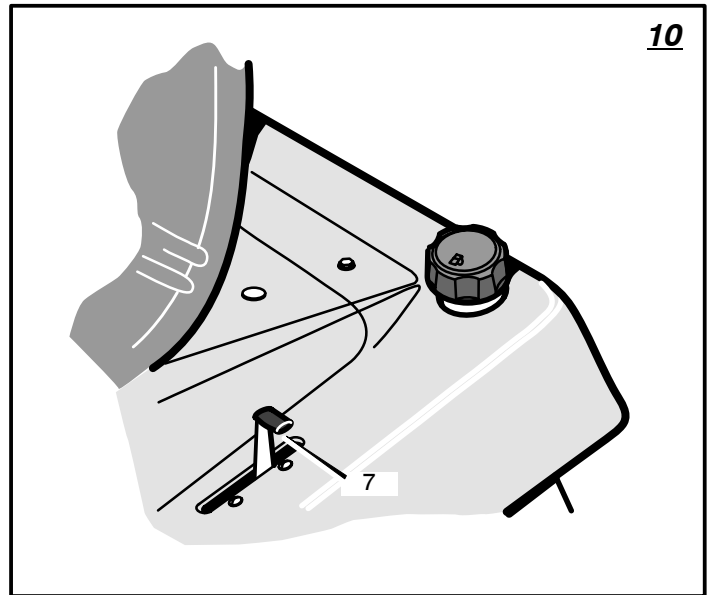
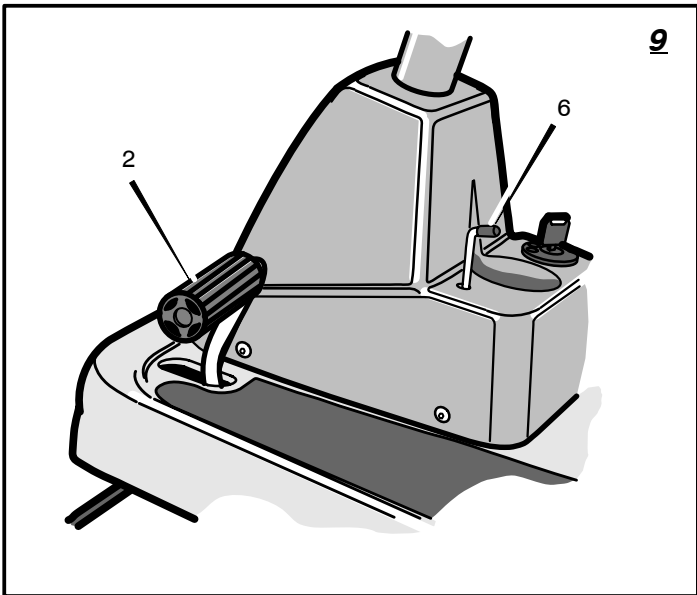
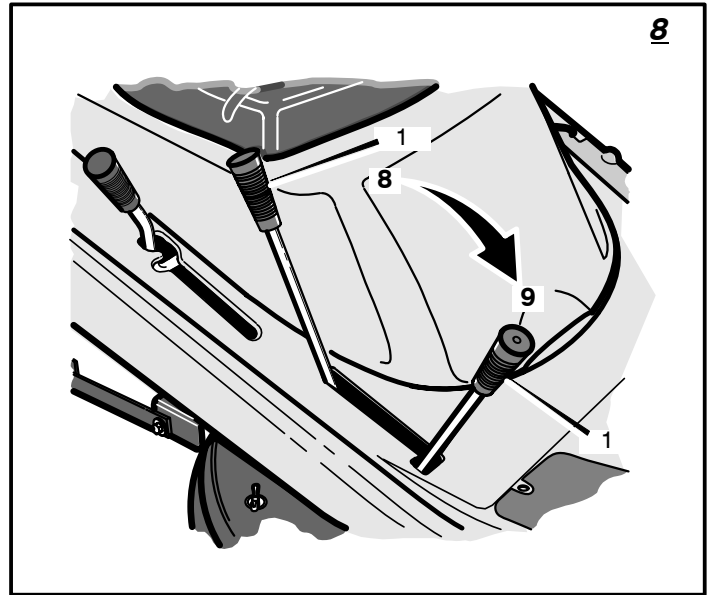
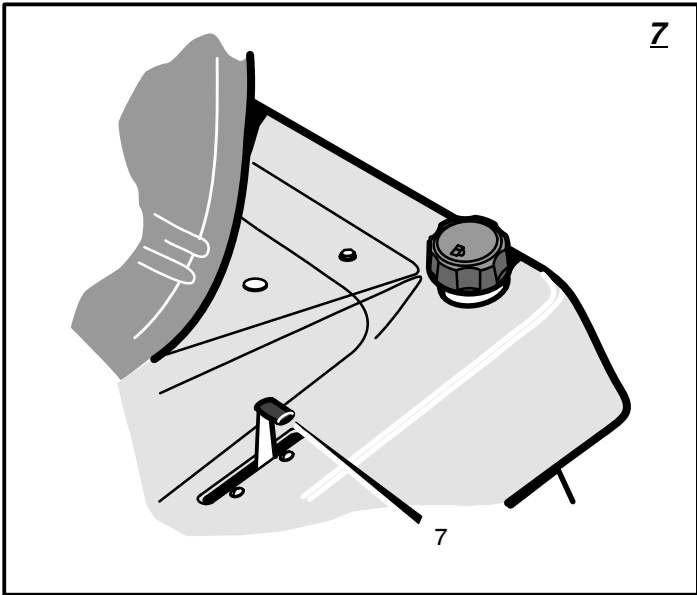


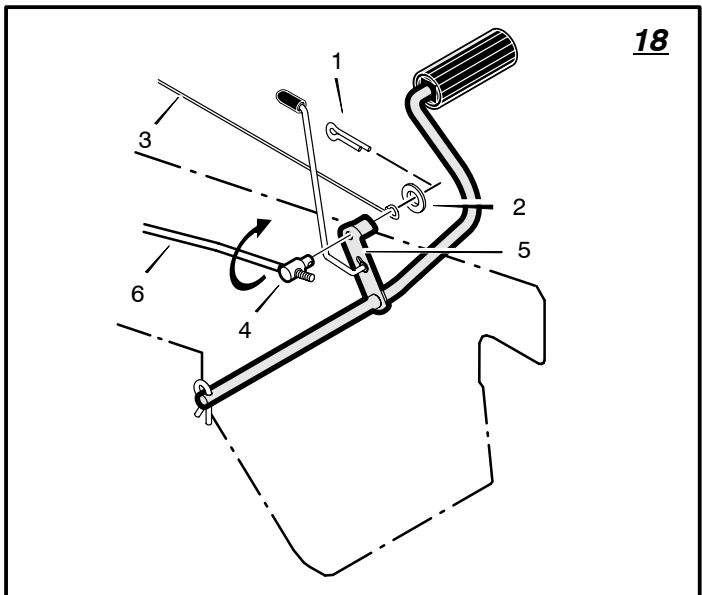
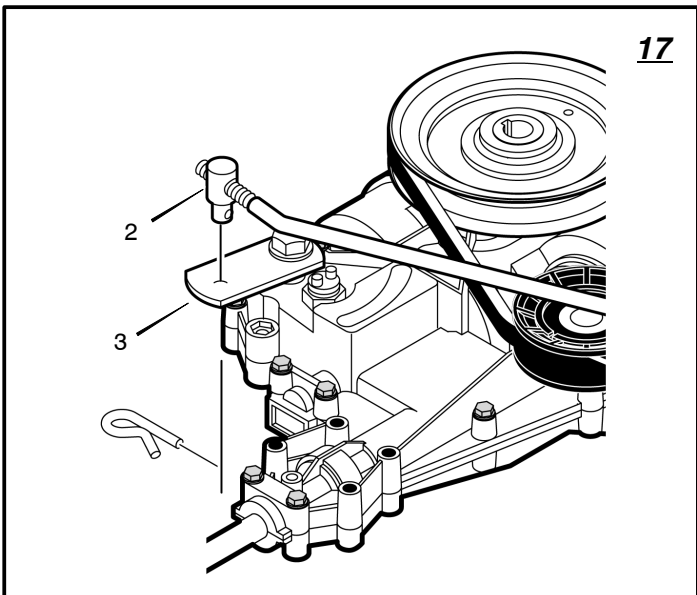
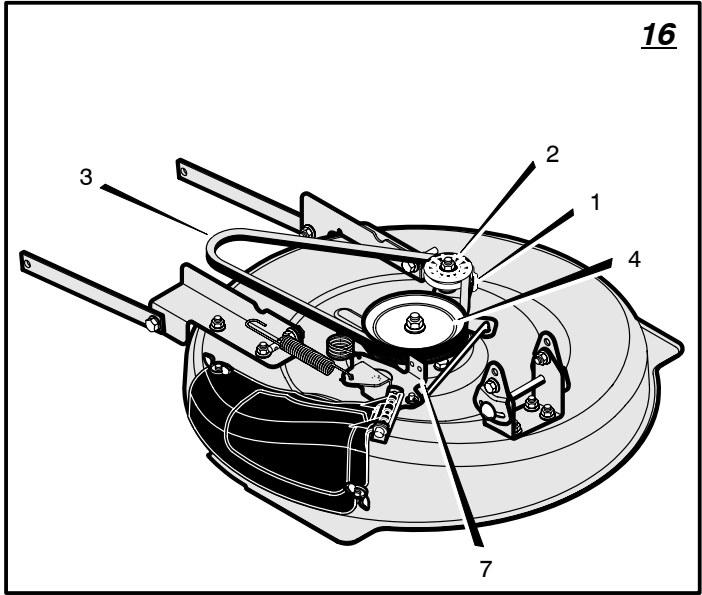
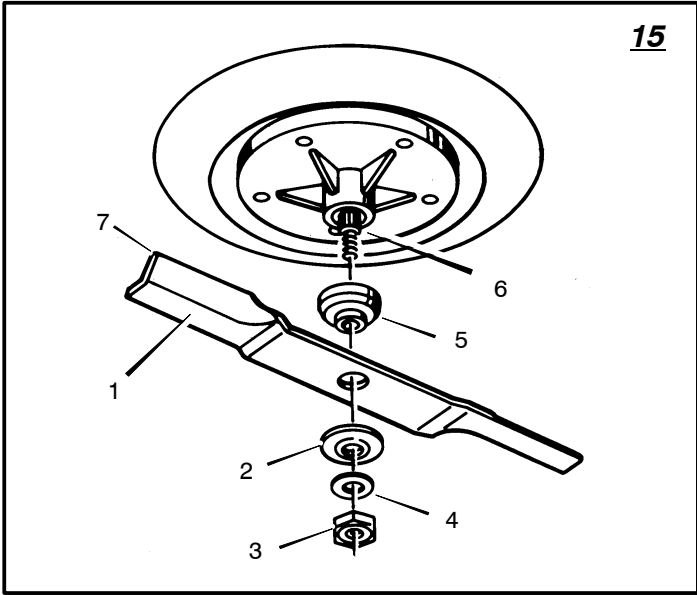
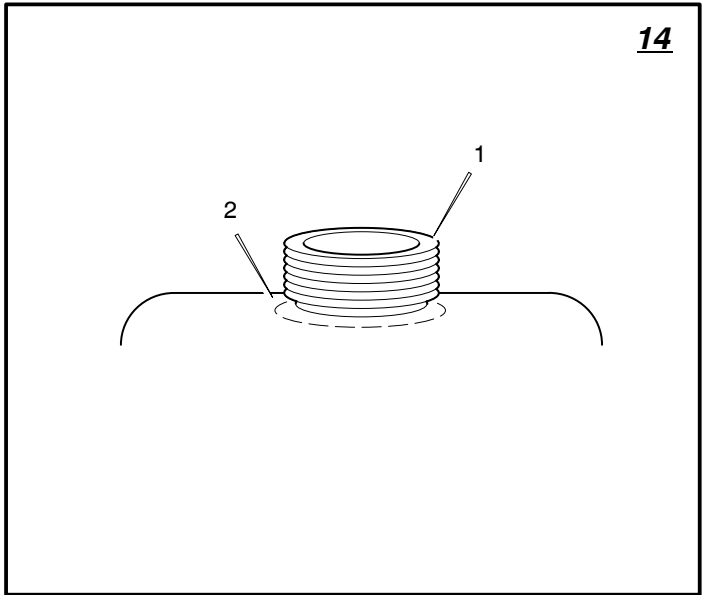
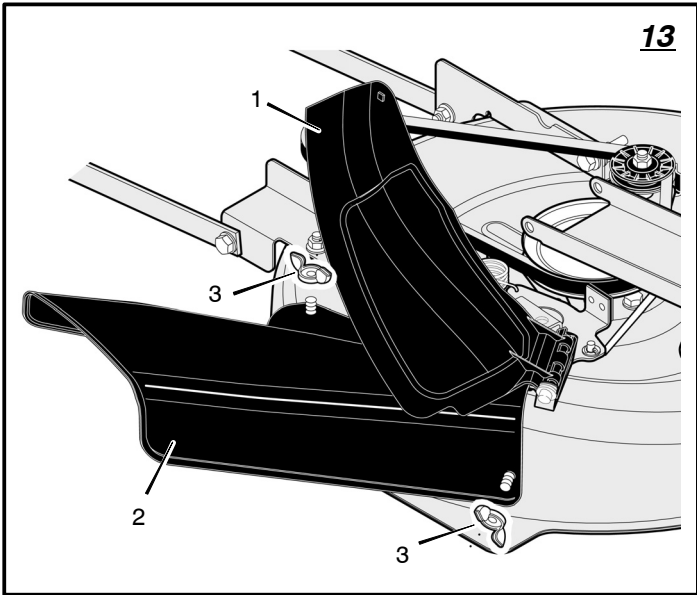
M10/30

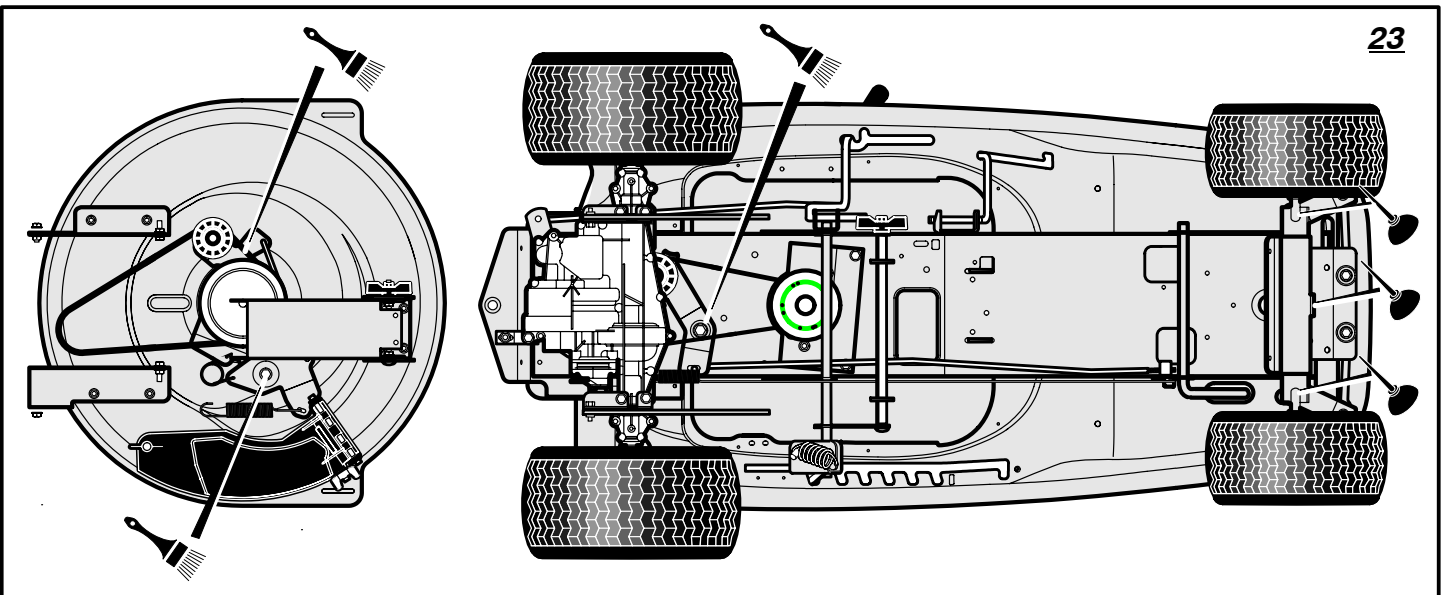
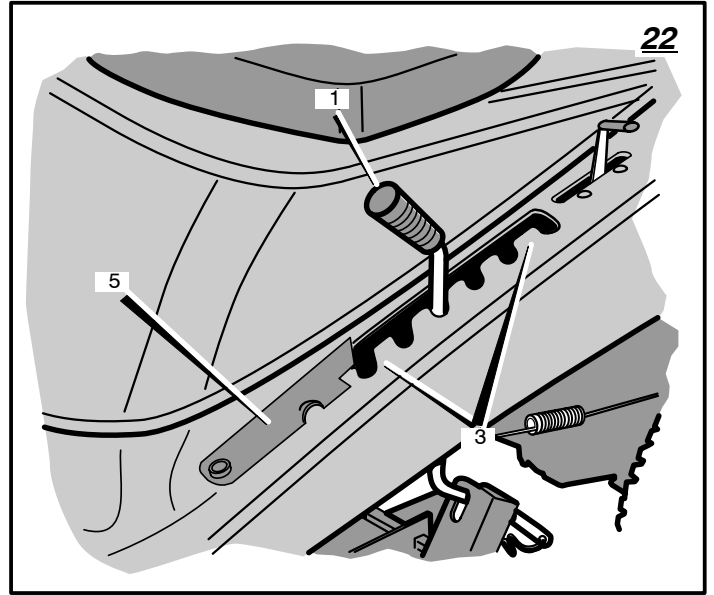
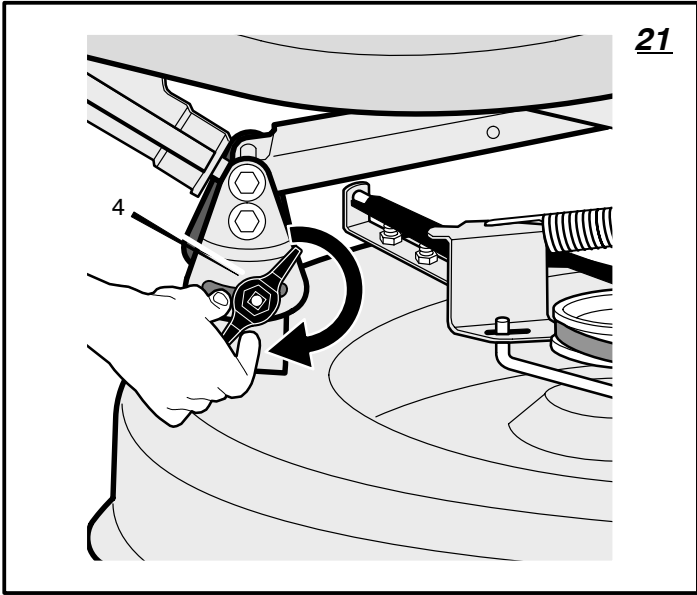
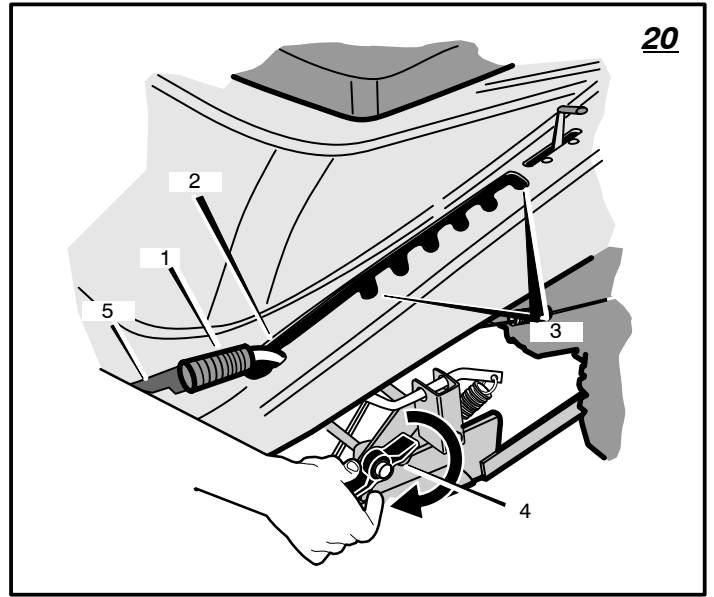
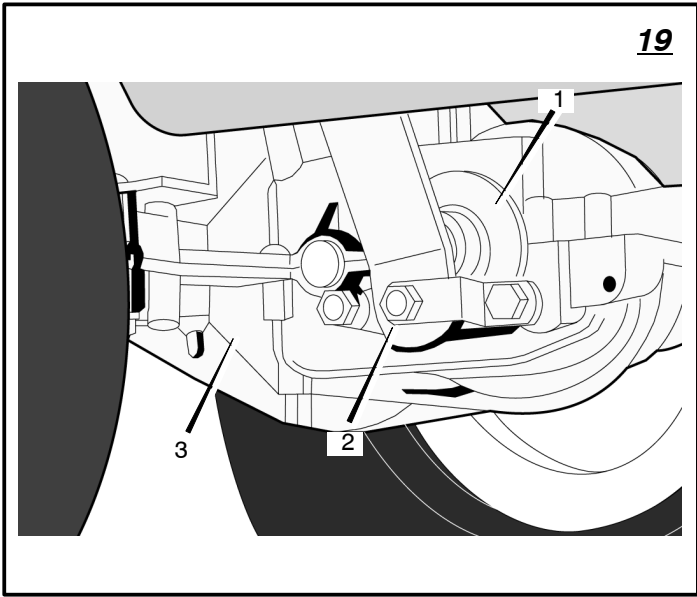
HERITAGE TRACTOR
CODE133C

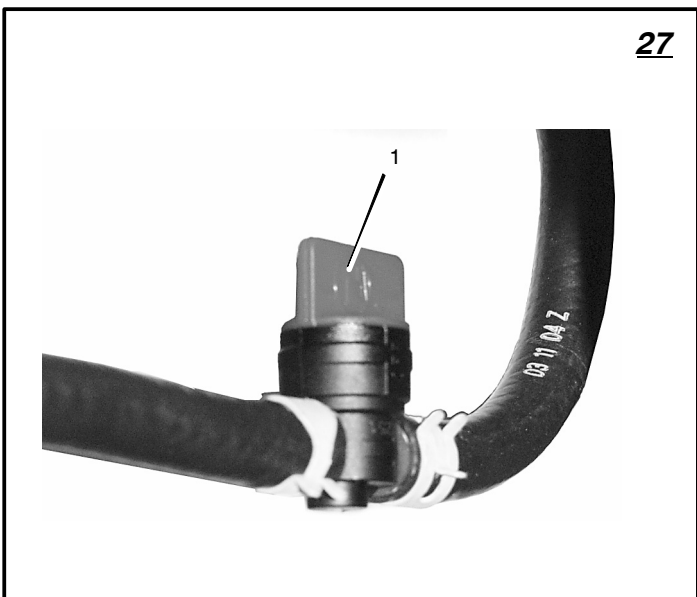
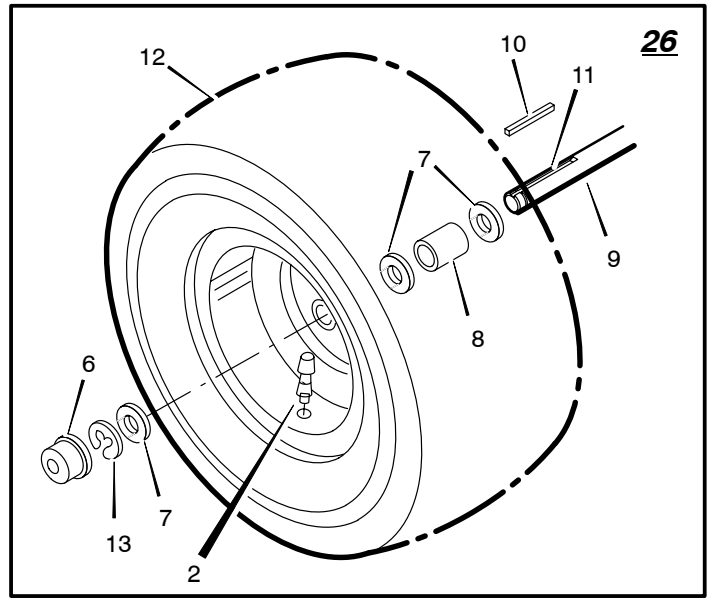
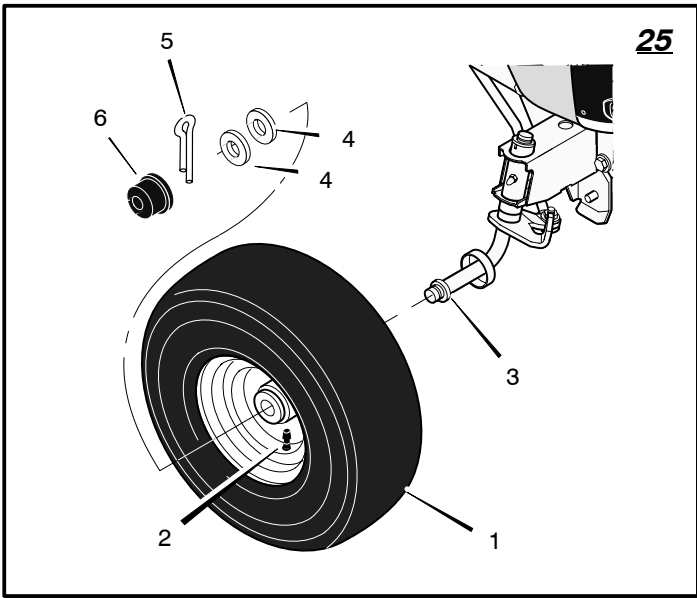
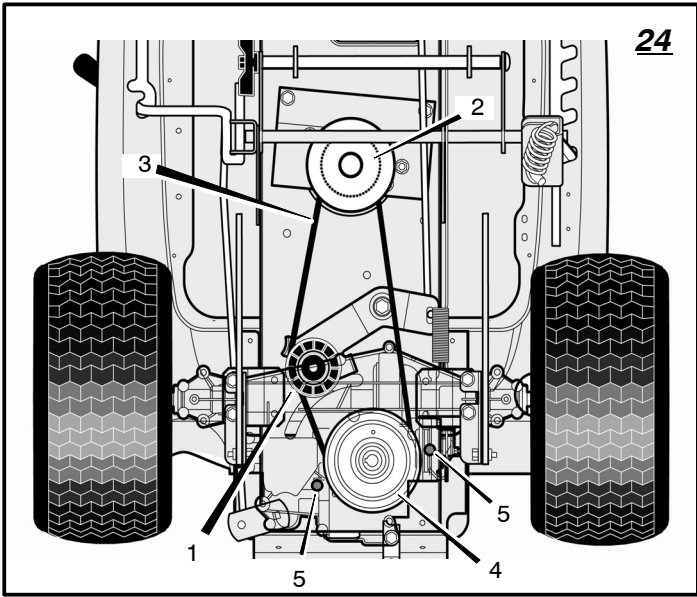
INSTRUCTION BOOK

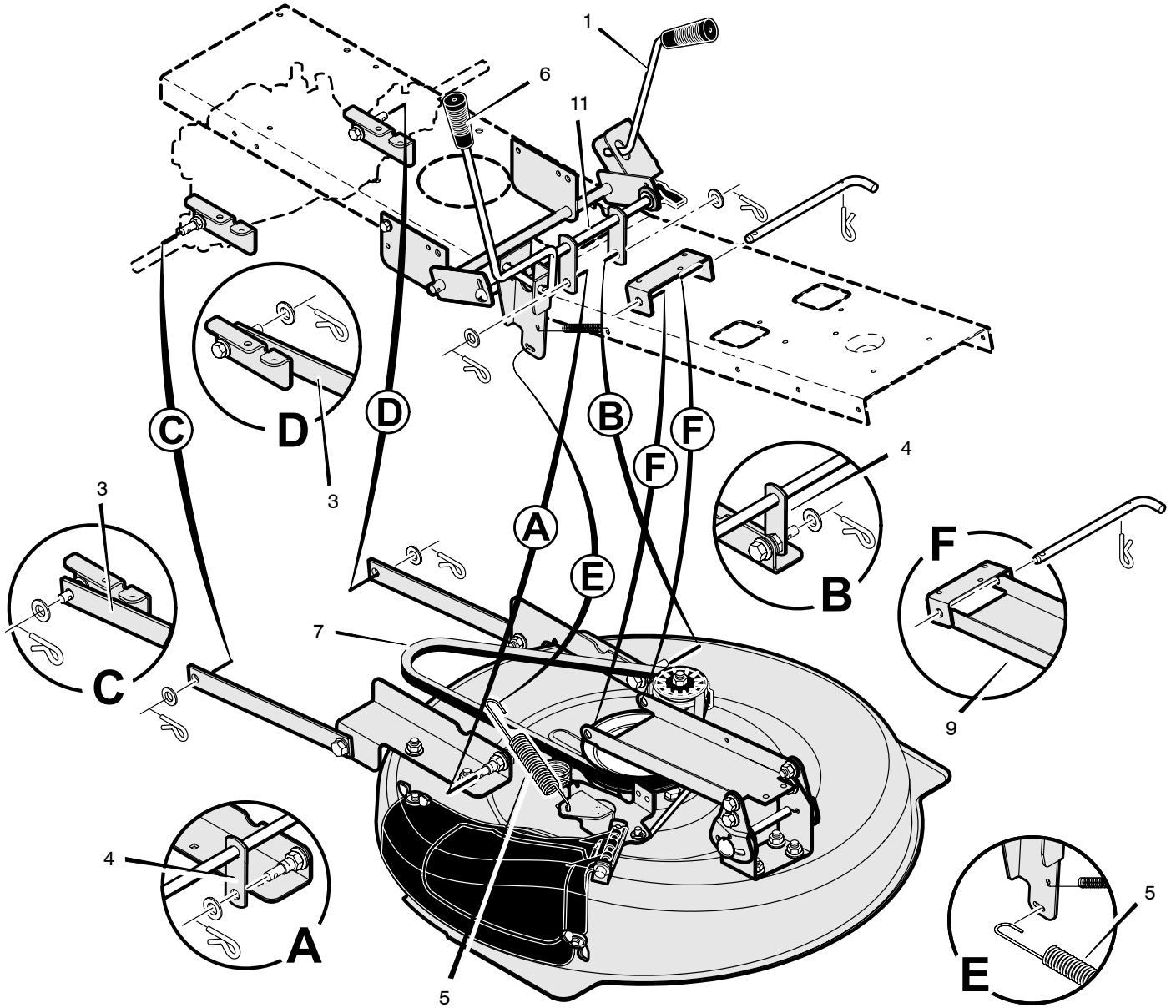
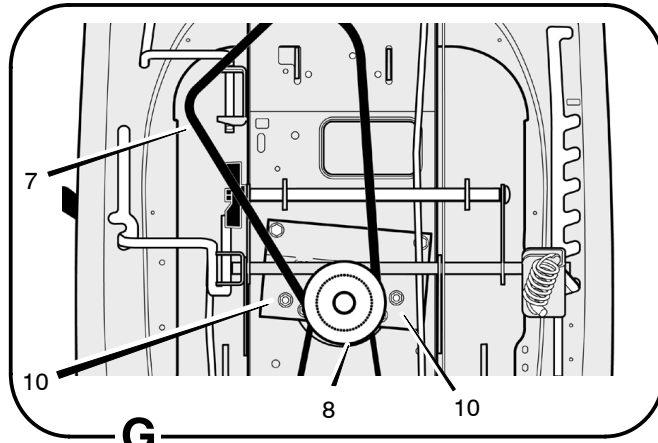


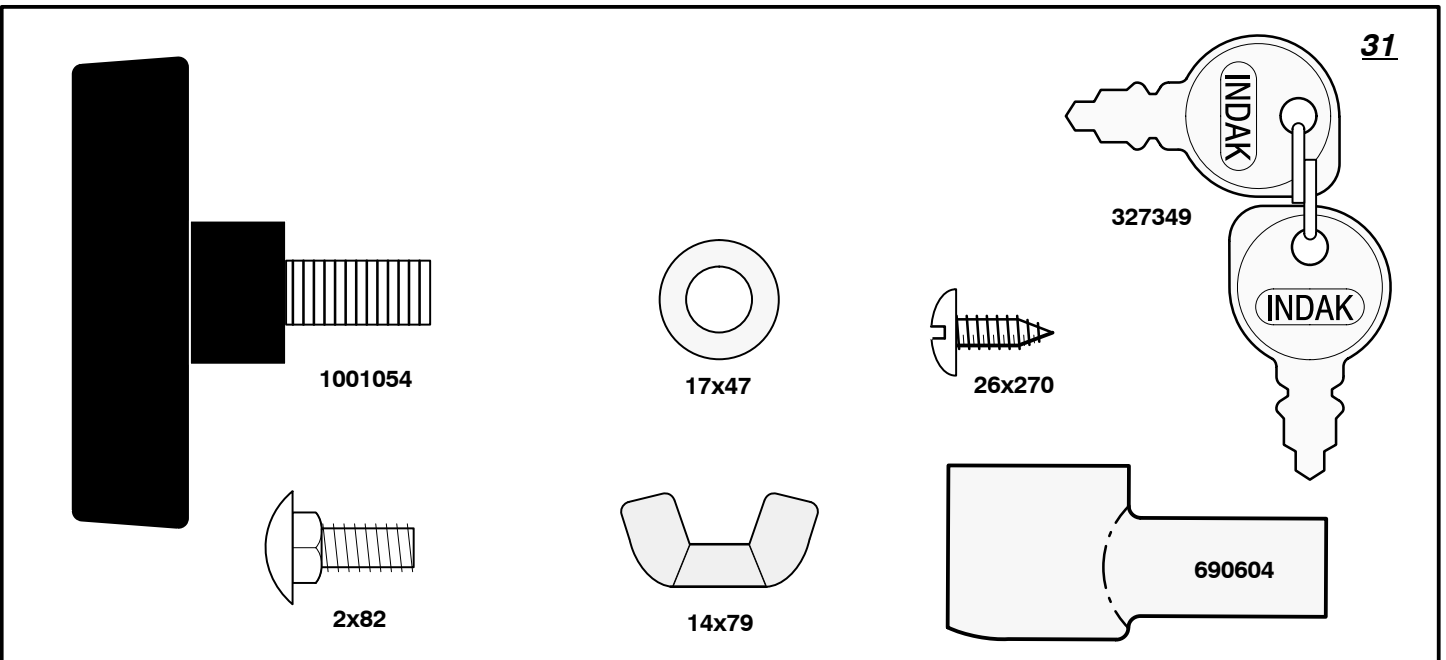
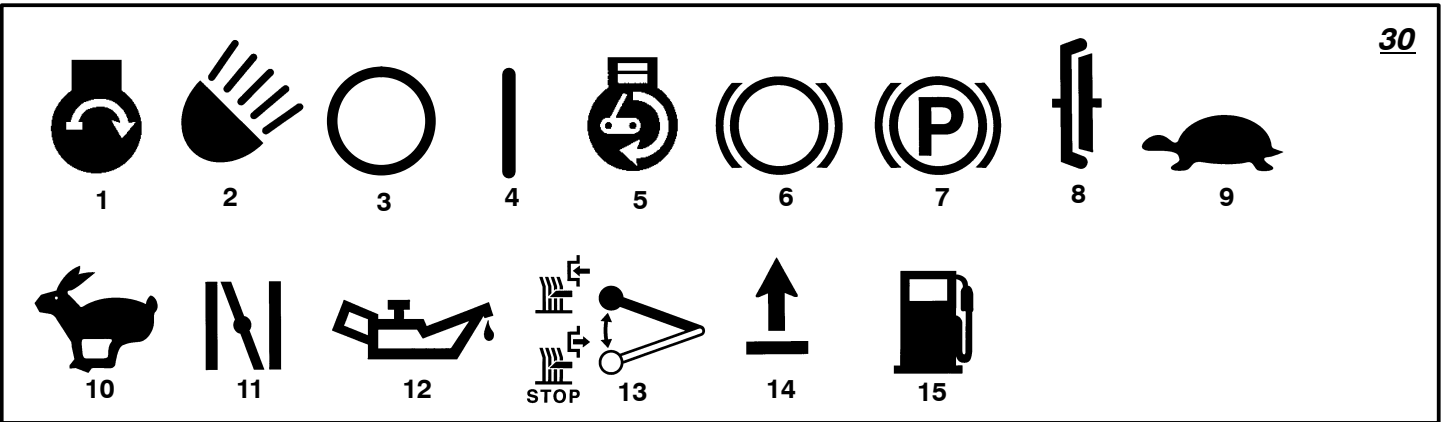
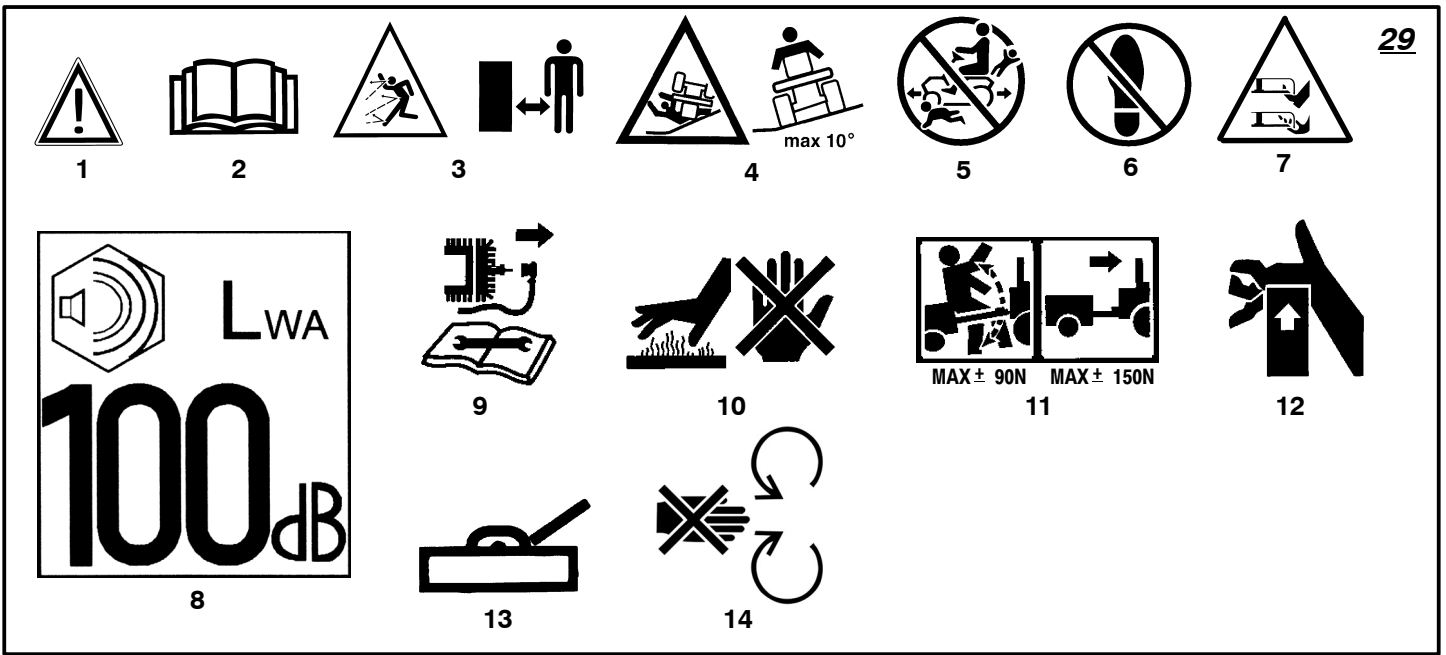












LIMITED WARRANTY

Hayter Limited warrants to the original user / purchaser that this unit shall be free from defects in material and workmanship under normal use and service for a period of **three years** from the date of purchase. The manufacturer of the engine furnish their own warranty and services are provided through their authorised network (Refer to "Engine Warranty Statement"). To qualify for the full benefit of the warranty, the warranty registration card must be returned within 60 days of purchase. Subject to the conditions and exclusions noted in this limited warranty, we shall at our option, repair or replace any warranted part during the applicable period. If you are in doubt or experience any difficulty, please consult a **Hayter** Authorised Service Dealer for clarification.

To qualify for the extended warranty (second and third year) of the three year limited warranty, the machine must have annual services carried out by an Authorised Hayter Service Dealer. These chargeable services should be carried out within 12 and 24 months of the date of purchase.

Excluded from the extended warranty period are those items which are subject to normal wear and tear e.g. tyres, wheels, cutterblades, cables, batteries and other consumable wearing parts.

All consumer machines which are fitted with a **genuine** Hayter friction disc as original equipment, before use, are covered by a **Lifetime Warranty** against the engine crankshaft bending. **Note:** friction washers, blade brake units and other such devices are not applicable. Only machines fitted with a **genuine** Hayter friction disc, which are used in accordance with the recommended operating and maintenance procedures, are covered.

This warranty does not apply to any unit that has been tampered with, altered, misused, abused or used for hire, and will become invalid if non genuine Hayter parts are fitted. This warranty does not cover minor mechanical adjustments unless they are due to defective materials or workmanship. Consult the Owner's Handbook or a Hayter Authorised Service Dealer for assistance when making these adjustments.

A warranty period of 90 days applies to machines used for commercial purposes.

To make a warranty claim, return the unit to a **Hayter** authorised dealer along with proof of purchase stating the machine serial number and date of purchase. The service receipt(s) or this Owner's Handbook with the 1st/2nd year service boxes fully completed, must be produced as proof of entitlement to the extended warranty period. Subject to the conditions and exclusions in this limited warranty, the authorised dealer will, at our option, repair or replace any warranted part within the duration of the warranty period.

This limited warranty gives you specific legal rights and is in addition to any statutory rights to which you may be entitled and your statutory rights are not affected by this warranty. If you need additional information concerning this written warranty, or assistance in obtaining services, please write to:

HAYTER LIMITED, Service Department, Spellbrook, Bishop's Stortford, Hertfordshire CM23 4BU.

1st
Year
Service
Record

DEALER STAMP

2nd
Year
Service
Record

DEALER STAMP

Date
Signed

Date
Signed

CONTENTS

LIMITED WARRANTY	9
INTERNATIONAL PICTORIALS	10
OWNER'S INFORMATION	11
SAFE OPERATION PRACTICES	11
ASSEMBLY	12
OPERATION	13
MAINTENANCE	15
TROUBLE SHOOTING CHART	18

INTERNATIONAL PICTORIALS

IMPORTANT: The following pictorials are located on your unit or on literature supplied with the product. Before you operate the unit, learn and understand the purpose for each pictorial.

NOTE: Illustrations and pictorials begin on page 2.

Safety Warning Pictorials (Figure 29)

- 1 WARNING
- 2 IMPORTANT: Read Owner's Manual Before Operating This Machine.
- 3 WARNING: Thrown Objects. Keep Bystanders Away. Read User Instructions Before Operating This Machine.
- 4 WARNING: Do Not Use This Machine On Slopes Greater Than 10 Degrees.
- 5 DANGER: Keep People, Especially Children, Away From Unit.

- | | |
|--|-----------------|
| 6 DANGER: No Step. | 2 Lights |
| 7 DANGER: Keep Feet And Hands Away From Rotating Blade. | 3 Engine Run |
| 8 Declared airborne sound power level of 100 dB(A) is in accordance with Directive 2000/14/EC. | 4 Engine Stop |
| 9 DANGER: Disconnect Spark Plug Wire Before Servicing Unit. | 5 Engine Run |
| 10 WARNING: Hot Surface. | 6 Brake |
| 11 WARNING: Use Caution When Connecting Or Disconnecting Accessories. | 7 Parking Brake |
| 12 WARNING: Crushed Fingers. | 8 Clutch |
| 13 IMPORTANT: Follow Instructions In Owner's Manual To Level The Deck. | 9 Slow |
| 14 WARNING: Stay Clear Of Mower Blade As Long As Engine Is Running. | 10 Fast |
- Control And Operating Pictorials (Figure 30)**
- | | |
|----------------|---------------------------|
| 1 Engine Start | 11 Choke |
| | 12 Oil |
| | 13 Blade Rotation Control |
| | 14 Raise |
| | 15 Fuel |

MADE IN USA BY MURRAY INC., LAWRENCEBURG, TENNESSEE	
FOR HAYTER	
TYPE: CODE 133C	
MODEL: M10/30 TRACTOR RIDE-ON-MOWER	
Kg 150	
RPM 2850	
kW -	2005
Serial No: 133C999999	

Declared vibration emission values in accordance with Directive 98/37/EC.

Vibration Emission according to BS EN 1032: Seat **3,16** m/s²,
Right Running Board **2,07** m/s², Left Running Board **1,68** m/s²

Vibration Emission according to BS EN 1033: Steering Wheel **4,18** m/s²

Values determined with operator in operating position when the machine was operated stationary on a concrete surface at 2850 min-1.

Declared airborne noise emissions in accordance with Directive 2000/14/EC, Annex VIII.

Sound Pressure Level at operator position **86** dB.

Values determined at ear according to the specifications of EN ISO 11201.

OWNER'S INFORMATION

Know your product: If you understand the unit and how the unit operates, you will get the best performance. As you read this manual, compare the illustrations to the unit. Learn the location and the function of the controls. To help prevent an accident, follow the operating instructions and the safety rules. Keep this manual for future reference.



WARNING: Look for this symbol to indicate important safety precautions. This symbol indicates: "Attention! Become Alert! Your Safety Is At Risk."

Responsibility Of The Owner



WARNING: This cutting machine is capable of amputating hands and feet and throwing objects. Failure to observe the following safety instructions could result in serious injury or death to the operator or bystanders.

The responsibility of the owner is to follow the instructions below.

SAFE OPERATION PRACTICES

For Ride-On (Riding) Rotary Mower Machines

Training

1. Read the instructions carefully. Be familiar with the controls and the proper use of the equipment.
2. Never allow children or people unfamiliar with these instructions to use the mower. Local regulations may restrict the age of the operator.
3. Never mow while people, especially children, or pets are nearby.
4. Keep in mind that the operator or user is responsible for accidents or hazards occurring to other people or their property.
5. Do not carry passengers.
6. All drivers should seek and obtain professional and practical instruction. Such instruction should emphasize:
 - a. the need for care and concentration when working with ride-on machines;
 - b. control of a ride-on machine sliding on a slope will not be regained by the application of the brake. The main reasons for loss of control are:
 - insufficient wheel grip;
 - being driven too fast;
 - inadequate braking
 - the type of machine is unsuitable for its task;
 - lack of awareness of the effect of ground conditions, especially slopes;
 - incorrect hitching and load distribution.

Preparation

1. While mowing, always wear substantial footwear and long trousers. Do not operate the equipment when barefoot or wearing open sandals.

2. Thoroughly inspect the area where the equipment is to be used and remove all objects which may be thrown by the machine.
3. **WARNING - Petrol is highly flammable.**
 - a. Store fuel in containers specifically designed for this purpose.
 - b. Refuel outdoors only and do not smoke while refuelling.
 - c. Add fuel before starting the engine. Never remove the cap of the fuel tank or add petrol while the engine is running or when the engine is hot.
 - d. If petrol is spilled, do not attempt to start the engine but move the machine away from the area of spillage and avoid creating any source of ignition until petrol vapours have dissipated.
 - e. Replace all fuel tanks and container caps securely.
4. Replace faulty silencers.
5. Before using, always visually inspect to see that the blades, blade bolts and cutter assembly are not worn or damaged. Replace worn or damaged blades and bolts in sets to preserve balance.
6. On multi-blade machines, take care as rotating one blade can cause other blades to rotate.

Operation

1. Do not operate the engine in a confined space where dangerous carbon monoxide fumes can collect.
2. Mow only in daylight or in good artificial light.
3. Before attempting to start the engine, disengage all blade attachment clutches and shift into neutral.
4. Do not use on slopes of more than 10 degrees.
5. Remember there is no such thing as a "safe" slope. Travel on grass slopes requires particular care. To guard against overturning:
 - a. do not stop or start suddenly when going up or downhill;
 - b. engage clutch slowly, always keep machine in gear, especially when travelling downhill;
 - c. machine speeds should be kept low on slopes and during tight turns;
 - d. stay alert for humps and hollows and other hidden hazards;
 - e. never mow across the face of the slope, unless the mower is designed for this purpose.
6. Use care when pulling loads or using heavy equipment.
 - a. Use only approved drawbar hitch points.
 - b. Limit loads to those you can safely control.
 - c. Do not turn sharply. Use care when reversing.
 - d. Use counterweight(s) or wheel weights when suggested in the Instruction Book.
7. Watch out for traffic when crossing or near roadways.
8. Stop the blades rotating before crossing surfaces other than grass.
9. When using any attachments, never direct discharge of material toward bystanders nor allow anyone near the machine while in operation.
10. Never operate the mower with defective guards or shields, or without safety protective devices in place.
11. Do not change the engine governor settings or overspeed the engine. Operating an engine at excessive speed may increase the hazard of personal injury.
12. Before leaving the operator's position
 - a. disengage the power take-off and lower the attachments;
 - b. change into neutral and set the parking brake;
 - c. stop the engine and remove the key.
13. Disengage drive to attachments, stop the engine, and disconnect the spark plug lead(s) or remove the ignition key
 - a. before cleaning blockages or unclogging chute;
 - b. before checking, cleaning or working on the mower;
 - c. after striking a foreign object. Inspect the mower for damage and make repairs before restarting and operating the equipment;
 - d. if the machine starts to vibrate abnormally (check immediately).
14. Disengage drive to attachments when transporting or not in use.
15. Stop the engine and disengage drive to attachment
 - a. before refuelling;
 - b. before removing the grass catcher;
 - c. before making height adjustment unless adjustment can be made from the operator's position.
16. Reduce the throttle setting during engine run-out and, if the engine is provided with a shut-off valve, turn the fuel off at the conclusion of mowing.
17. Before and when backing, look **behind and down** for small children.
18. Use extra care when approaching blind corners, shrubs, trees or other objects that may obscure vision.

Maintenance and Storage

1. On multi-blade machines, take care as rotating one blade can cause other blades to rotate.
2. When machine is to be parked, stored or left unattended, lower the cutting means unless a positive mechanical lock is used.
3. Keep all nuts, bolts, and screws tight to be sure the equipment is in safe working condition.
4. Never store the equipment with petrol in the tank inside a building where fumes may reach an open flame or spark.
5. Allow the engine to cool before storing in any enclosure.
6. To reduce the fire hazard, keep the engine, silencer, battery compartment and petrol storage area free of grass, leaves, or excessive grease.
7. Check the grass catcher frequently for wear or deterioration.
8. Replace worn or damaged parts for safety.
9. If the fuel tank has to be drained, this should be done outdoors.

ASSEMBLY

All fasteners are in the parts bag. Do not discard any parts or material until the unit is assembled.



WARNING: Before doing any assembly or maintenance to the mower, remove the spark plug lead.

NOTE: In this instruction book, left and right describe the location of a part with the operator on the seat.

NOTE: Illustrations and pictorials begin on page 2.

NOTE: To assemble the following loose parts, use the fasteners shown at full size in Figure 31.

How To Install The Seat (Figure 1)

- Carefully remove the plastic bag from the seat (1).
- Raise the seat support (2) and secure in the UP position with the seat support rod (6).
- Align the holes in the seat (1) to the holes in the seat support (2). Fasten the seat (1) to the seat support (2) with the fasteners (4) and (5).
- Check the operating position of the seat (1). If the seat (1) needs to be adjusted, loosen the two wing bolts (5). Slide the seat (1) forward or backward along the seat adjusting holes (3). Tighten the wing bolts (5).

How To Assemble The Steering Wheel

- Make sure the front wheels point forward.
- (Figure 2) Remove the plastic grip (1) from the end of the parking brake rod (3). Do not discard the plastic grip (1). The plastic grip (1) must later be attached.
- Set the console (2) on the frame. Reach under the console (2) and slip the end of the parking brake rod (3) through the hole in the console (2).
- Slip the wiring harness (6) through the hole for the ignition switch. Attach the ignition switch (7) to the wiring harness (6).
- (Figure 3) Push down the ignition switch (7). The ignition switch (7) will snap in place.
- Attach the plastic grip (1) onto the end of the parking brake rod (3).
- Attach the console (2) to the frame with four screws (8).
- (Figure 4) Slide the steering wheel (4) and steering post (5) into the console (2). Push on the steering wheel (4). The steering post (5) will lock onto the pinion gear. Pull on the steering wheel (4). Make sure that the steering post (5) is locked in place.

Maintenance Free Battery (Figure 5)

IMPORTANT: Before you attach the battery cables to the battery, check the battery date. The battery date tells if the battery must be charged.

- Raise the seat support and secure in the UP position with the seat support rod.
- Check the top and the side of the battery (1) for the location of the battery date.
- If the battery (1) is put into service before the battery date, the battery cables can be attached without charging the battery (1). See "How To Install The Battery Cables".
- If the battery (1) is put into service after the battery date, the battery (1) must be charged. See "How To Charge The Maintenance Free Battery".

How To Charge The Battery (Figure 5)



WARNING: When you charge the battery, do not smoke. Keep the battery away from any sparks. The fumes from the battery acid can cause an explosion.

- To disconnect the battery retainer (2) from the battery tray (3), push in on the lower end of the battery retainer (2).
- Remove the battery (1) from the right side of the unit.
- Remove the protective cap from the battery terminal.
- Use a 12 volt battery charger to charge the battery (1). Charge at a rate of 6 amperes for one hour. If you do not have a battery charger, have an authorised Hayter dealer charge the battery.
- Install the battery (1) and secure with the battery retainer (2). Make sure the positive (+) terminal (4) is on the right side.

How To Install The Battery Cables (Figure 5)



WARNING: To prevent sparks, fasten the red cable to the positive (+) terminal before you connect the black cable.

- Remove the protective cap from the battery terminal.
- Fasten the red cable (5) and terminal cover (9) to the positive (+) terminal (4) with the fasteners (6) and (7).
- Fasten the black cable (8) to the negative (-) terminal with the fasteners (6) and (7).

Check The Tyres

Check the air pressure in the tyres. Tyres with too much air pressure will cause the unit to ride rough. Also, the wrong air pressure will keep the mower housing from cutting level. The correct air pressure is: Front Tyres 0,97 BAR (14 PSI), Rear Tyres 0,69 BAR (10 PSI). The tyres were over inflated for shipment.

Check The Level Of The Mower Housing

Make sure the level of cut is still correct. After you mow a short distance, look at the area that was cut. If the mower housing does not cut level, see the instructions on "How To Level The Mower Housing" in the Maintenance section of this instruction book.

How To Prepare The Engine

NOTE: The engine was shipped from the factory filled with oil. Check the level of the oil. Add oil as needed.

See the engine manufacturer's instructions for the type of petrol and oil to use. Before you use the unit, read the information on safety, operation, maintenance, and storage.



WARNING: Follow the engine manufacturer's instructions for the type of petrol and oil to use. Always use a safety petrol container. Do not smoke when adding petrol to the engine. When inside an enclosure, do not fill with petrol. Before you add petrol, stop the engine. Let the engine cool for several minutes.

Important! Before You Start Mowing

- Check the engine oil.
- Fill the fuel tank with petrol.
- Check the level of the mower housing.
- Check the air pressure of the tyres.
- Attach the battery cables.

Final Assembly

- Check all fasteners. Make sure all fasteners are properly installed and are tight.
- Check installation. Make sure all parts are correctly installed.



WARNING: Make sure that the grass bagger is properly assembled and correctly installed. The Grass Bagger must only be used when fully assembled and correctly installed.

OPERATION

NOTE: Illustrations and pictorials begin on page 2.

Location Of Controls (Figure 6)

Blade Rotation Control (1): Use the blade rotation control to start and stop the rotation of the blade.

Clutch / Brake Pedal (2): The pedal has two functions. The first function is a clutch. The second function is a brake.

Ignition Switch (3): Use the ignition switch to start and stop the engine.

Shift Lever (4): Use the shift lever to change the speed of the unit.

Lift Lever (5): Use the lift lever to change the height of cut.

Parking Brake Lever (6): Use the parking brake lever to engage the brake when you leave the unit.

Throttle Control Lever (7): Use the throttle control lever to increase or decrease the speed of the engine.

Attachments

This unit can use many different attachments. This unit can pull attachments like a lawn sweeper, a lawn aerator, or a hopper spreader. This unit can not use attachments that engage the ground like a plough, a disk harrow, or a cultivator.

For trailer and pull-behind attachments, the maximum weight is 90 kg (200 lbs.).

How To Use The Throttle Control (Figure 6 and Figure 7)

Use the **throttle/choke control (7)** to increase or decrease the speed of the engine.

1. Move the **throttle/choke control (7)** completely forward to the **CHOKE** position to start a cold engine.
1. The **FAST** position is marked with a detent. For normal operation and when using a grass bagger, move the throttle control to the **FAST** position. For maximum charging of the battery and for a cooler running engine, operate the engine in the **FAST** position.
2. The engine governor is set at the factory for maximum performance. Do not adjust the governor to increase the speed of the engine.

How To Use The Blade Rotation Control (Figure 6 and Figure 8)

Use the **blade rotation control (1)** to engage the blade(s).

1. Before you start the engine, make sure the **blade rotation control (1)** is in the **DIS-ENGAGE** position (8).
2. To rotate the blade, move the **blade rotation control (1)** forward to lock the blade in the **ENGAGE** position (9).
3. To stop the blade, move the **blade rotation control (1)** to the **DIS-ENGAGE** position (8). Before you leave the operator's position, make sure the blade(s) has stopped rotating.

F-050605L

4. Before you ride the unit across a sidewalk or a road, move the **blade rotation control (1)** to the **DIS-ENGAGE** position.



WARNING: Always keep your hands and feet away from the blade, deflector opening, and the mower housing when the engine runs.

How To Use The Shift Lever

To change the forward speed or the direction of the unit, follow the steps below.

CAUTION: Before you move the shift lever, completely push the clutch/brake pedal (2) forward to stop the unit. If the unit is not stopped, the gearbox can be damaged.

1. (Figure 9) Completely push the **clutch/brake pedal (2)** forward to stop the unit. Keep your foot on the pedal.
2. (Figure 10) Move the **throttle control lever (7)** to the **SLOW** position.
3. (Figure 11) To go forward, move the **shift lever (4)** to a forward speed setting. To go backward, move the **shift lever (4)** to reverse.
4. (Figure 9) Slowly release the **clutch/brake pedal (2)**. Do not keep your foot on the pedal.
5. (Figure 10) Move the **throttle control (7)** to the **FAST** position.

How To Use The Parking Brake (Figure 9)

1. Completely push the **clutch/brake pedal (2)** forward.
2. Lift the **parking brake lever (6)**.
3. Remove your foot from the **clutch/brake pedal (2)** and then release the **parking brake lever (6)**. Make sure the parking brake will hold the unit.
4. To release the **parking brake (6)**, completely push the **clutch/brake pedal (2)** forward. The parking brake will automatically release.



WARNING: Before you leave the operator's position, move the shift lever to the neutral (N) position. Set the parking brake. Move the blade rotation control to the **DIS-ENGAGE** position. Stop the engine and remove the ignition key.

How To Change The Cutting Height (Figure 12)

To change the cutting height, raise or lower the lift lever (5) as follows.

1. Move the **lift lever (5)** forward to lower the mower housing and back to raise the mower housing.
2. When you ride on a sidewalk or road, move the **lift lever (5)** to the highest position and move the **blade rotation control** to the **DIS-ENGAGE** position.

How To Stop The Unit (Figure 6)

1. Completely push the **clutch/brake pedal (2)** forward to stop the unit. Keep your foot on the pedal.
2. Move the **blade rotation control (1)** to the **DIS-ENGAGE** position.

3. Move the **shift lever (4)** to the **NEUTRAL** position.

4. Set the **parking brake (6)**.



WARNING: Make sure the parking brake will hold the unit.

5. Move the **throttle control (7)** to the **SLOW** position.
6. To stop the engine, turn the **ignition key (3)** to the **OFF** position. Remove the key.
7. (Figure 27) Some models have a **fuel shut-off valve (1)** located under the fuel tank. If equipped, close the **fuel shut-off (1)** valve.

How To Transport The Unit

To transport the unit, follow the steps below.

1. Move the blade rotation control to the **DIS-ENGAGE** position.
2. Raise the lift lever to the highest position.
3. Move the throttle control to a position between **SLOW** and **FAST**.
4. To go faster, move the shift lever to a faster speed.

How To Install The Side Discharge Attachment (Figure 13)



WARNING: To prevent the engine from starting, disconnect the spark plug lead. Make sure the attachment clutchblade rotation control is in the **DIS-ENGAGE** position.

The **mulcher cover (1)** lets you mulch the grass for a clean, fine cut. To discharge the grass out the side, install the **side discharge attachment (2)** as follows.

1. Remove the two **wingnuts (3)** that secure the **mulcher cover (1)**.
2. Lift the **mulcher cover (1)**. Mount the **side discharge attachment (2)** onto the same bolts that secured the **mulcher cover (1)**.
3. Secure the **side discharge attachment (2)** with the **wingnuts (3)**.
4. To mulch, remove the **side discharge attachment (2)** and mount the **mulcher cover (1)** to the mower housing with the **wingnuts (3)**.

How To Operate With The Mower Housing



WARNING: Do not remove the mulch cover, it is a safety device. The deflector forces the discharged material toward the ground. Always keep the deflector in the down position. If the deflector is damaged, replace the deflector with an original equipment part from an authorized Hayter dealer.

IMPORTANT: When you operate with the mower housing, always operate with the throttle control in the **FAST** position.

1. Start the engine.
2. Move the lift lever to a height of cut position. In high or thick grass, cut the grass in the highest position first and then lower the mower housing to a lower position.
3. Move the throttle control to the **SLOW** position.

- Slowly move the blade rotation control to the ENGAGE position.
- Push the clutch/brake pedal completely forward.
- Move the shift lever to one of the speed settings.

NOTE: When you mow in heavy grass or mow with a bagger, put the shift lever in the slowest speed.

- Slowly release the clutch/brake pedal.
- Move the throttle control to the FAST position. If you need to go faster or slower, stop the unit and move the shift lever to another speed setting.
- Make sure the level of cut is still correct. After you mow a short distance, look at the area that was cut. If the mower housing does not cut level, see the instructions on "How To Level The Mower Housing" in the Maintenance section.



WARNING: For better control of the unit, select a safe speed.

How To Operate On Hills



WARNING: Do not ride up or down slopes that are too steep to back straight up. Never ride the unit across a slope.

- Before you ride up or down a hill, move the shift lever to the slowest speed.
- Do not stop or change speed settings on a hill. If you must stop, quickly push the clutch/brake pedal forward and set the parking brake.
- To start again, make sure the shift lever is in the slowest speed. Move the throttle control to the SLOW position. Slowly release the pedal.
- If you must stop or start on a hill, always have enough space for the unit to roll when you release the brake and engage the clutch.
- Be very careful when you change directions on a hill. When on a slope or in a turn on a hill, move the throttle control to the SLOW position to help prevent an accident.

Before Starting The Engine

Check the oil

NOTE: The engine was shipped from the factory filled with oil. Check the level of the oil and add oil if needed. See the engine manufacturer's instructions for the type of petrol and oil to use.

- Make sure the unit is level.

NOTE: Do not check the level of the oil while the engine runs.

- Check the oil. Follow the procedure in the engine manufacturer's instructions.
- If necessary, add oil until the oil reaches the FULL mark on the dipstick. The quantity of oil needed from ADD to FULL is shown on the dipstick. Do not add too much oil.

Add Petrol



WARNING: Always use a safety petrol container. Do not smoke when adding petrol to the fuel tank. Do not add petrol when you are inside an enclosure. Before you add petrol, stop the engine and let the engine cool for several minutes.

- (Figure 14) Fill the fuel tank (1) to the FULL (2) position with regular unleaded petrol. Make sure the petrol is fresh and clean. Leaded petrol will increase deposits and shorten the life of the valves.
- (Figure 27) Some models have a fuel shut-off valve located under the fuel tank. If equipped, turn the fuel shut-off valve (1) 1/4 turn to the OPEN position.

How To Start The Engine



WARNING: The electrical system has an operator presence system that includes a sensor switch for the seat. These components tell the electrical system if the operator is sitting on the seat. This system will stop the engine when the operator leaves the seat. For your protection, always make sure this system operates correctly.

NOTE: The engine will not start unless you depress the clutch/brake pedal and move the blade rotation control to the DISENGAGE position.

- Push the clutch/brake pedal completely forward. Keep your foot on the pedal.
 - Move the shift lever to the neutral (N) position.
 - Make sure the blade rotation control is in the DISENGAGE position.
 - Move the throttle control completely forward to the CHOKE or FAST position. Some models have a separate choke knob. Pull the choke knob to the full CHOKE position.
 - Turn the ignition key to the START position.
- NOTE: If the engine does not start after four or five tries, move the throttle control to the FAST position. Again try to start the engine. If the engine will not start, see the TROUBLE SHOOTING CHART.**
- Slowly move the throttle control to the SLOW position.
 - To start a hot engine, move the throttle control to a position between FAST and SLOW.

Mowing And Bagging Tips

- For a lawn to look better, check the cutting level of the mower housing. See "How To Level The Mower Housing" in the Maintenance section.
- For the mower housing to cut level, make sure the tyres have the correct amount of air pressure.
- Every time you use the unit, check the blade. If the blade is bent or damaged, immediately replace the blade. Also, make sure the nut for the blade is tight.

- Keep the blade(s) sharpened. Worn blades will cause the ends of the grass to turn brown.
- Do not cut or bag grass that is wet. Wet grass will not discharge correctly. Let the grass dry before cutting.
- Use the left side of the mower housing to trim near an object.
- Discharge the cut grass onto the mowed area. The result is a more even discharge of cut grass.
- When you mow large areas, start by turning to the right so that the cut grass will discharge away from shrubs, fences, driveways, etc. After one or two rounds, mow in the opposite direction making left turns until finished.
- If the grass is very high, cut two times to decrease the load on the engine. First cut with the mower housing in the highest position and then lower the mower housing for the second cut.
- For better engine performance and an even discharge of the cut grass, always operate the engine with the throttle in FAST position.
- When you use a bagger, operate the engine with the throttle in FAST position and the shift lever in first or second gear.
- For better cutting performance and a quality cut, mow with the shift lever in one of the slower speeds.
- After each use, clean the bottom and top of the mower housing for better performance. Also, a clean mower housing will help prevent a fire.

Mulching Tips

When you use a mulcher attachment, the grass is cut into very small pieces. These small pieces will quickly break down. Because the nutrients are returned to the soil, the lawn will need less fertilizer. To correctly mulch the grass, follow the steps below.

- Set the throttle in the FAST position. Operate the mower at a slower ground speed. If ground speed is too fast, the grass will not have an even cut.
- Keep a sharp edge on the blade. A blade that is not sharp will cause the ends of the grass to become brown.
- Make sure the grass is dry. Wet grass is difficult to cut.
- Set the height of the mower housing so that only the top third of the grass is cut. If the grass is too high, set the height of the mower housing to the maximum height. Then, lower the mower housing for the second cut. Also, instead of using the full width of the mower housing, mulch at half the width.
- Clean the bottom of the mower housing. Grass and other debris can keep the mower from working correctly.
- If the grass grows fast, mulch more often.
- If an area needs improvement, mulch a second time.

MAINTENANCE CHART


FREQUENCY	MAINTENANCE REQUIRED	COMMENTS
Daily or before each use	Maintenance engine.	Refer to the Engine Owner's Manual .
	Examine blade(s).	Check for cracks, wear, and excessive damage.
	Remove debris from unit and mowing area.	
	Examine all rotating and sliding parts.	
	Check tire inflation.	Refer to the Maintenance section.
	Verify that the mower housing is level.	Refer to the Maintenance section.
	Examine V-belts.	Check for cracks, wear, and excessive damage.
	Check brake operation.	Refer to the Operation and Maintenance sections.
After completion of first 5 hours	Change oil.	Refer to the Engine Owner's Manual .
After 25 hours	Maintenance engine.	Refer to the Engine Owner's Manual .
	Remove, examine, sharpen, and balance blade(s).	Refer to Maintenance section.
	Check adjustments: a. Blade Rotation Control b. Brake c. Clutch d. Steering	Refer to Maintenance section.
	Lubricate chassis and mower housing.	Refer to Where to Lubricate instructions.
	Check the muffler: a. Torque b. For wear or burn out c. Condition of spark arrestor, (if applicable).	Refer to Maintenance section.
Before storage of 30 days or more	Prepare engine for storage.	Refer to the Engine Owner's Manual .
	Drain fuel system.	Refer to warnings in the Owner's Manual .
	Add fuel stabilizer.	Refer to the Engine Owner's Manual .
	Prepare battery for storage: a. Remove from unit. b. Fully charge. c. Move to cool dry place.	

MAINTENANCE

NOTE: Illustrations and pictorials begin on page 2.

General Recommendations


- The owner's responsibility is to maintain this product. This will extend the life of the product and is also necessary to maintain warranty coverage.
- Check the spark plug, drive brake, lubricate the unit, and clean the air filter once a year.
- Check the fasteners. Make sure all fasteners are tight.
- Follow the Maintenance section to keep the unit in good operating condition.

 **WARNING:** Before you make an inspection, adjustment, or repair to the unit, disconnect the spark plug lead. Remove the wire from the spark plug to prevent the engine from starting by accident.

NOTE: Torque is measured in foot pounds (metric Nm). This measurement describes how tight a nut or bolt must be. The torque is measured with a torque wrench.

F-050605L


Inspect Blade (Figure 15)

 **WARNING:** Before you inspect or remove the blade, disconnect the spark plug lead. If the blade hits an object, stop the engine. Check the unit for damage. The blade has sharp edges. When you hold the blade, use gloves or cloth material to protect your hands.


If you keep the **blade (1)** sharp and inspect the blade for damage, the blade will cut better and be more safe to operate. Frequently check the blade for excessive wear, cracks, or other damage. Frequently check the **nut (3)** that holds the **blade (1)**. Keep the **nut (3)** tight. If the blade hits an object, stop the engine. Disconnect the spark plug lead. See if the blade is bent or damaged. Check the **blade adapter (5)** for damage. Before you operate the unit, replace damaged parts with original equipment parts. See the authorized Hayter dealer in your area. Every three years, have an authorized service person inspect the blade or replace the old blade with an original equipment part.

How To Remove And Install The Blade (Figure 15)

- Remove the mower housing. See the instructions on "How To Remove The Mower Housing".
- Use a piece of wood to keep the blade from rotating.
- Remove the **nut (3)** that holds the **blade (1)**.

- Check the **blade (1)** and the **blade adapter (5)** according to the instructions for "Inspect Blade". Replace a badly worn or damaged **blade** with an original equipment blade. See an authorized Hayter dealer in your area.
 - Clean the top and bottom of the mower housing. Remove all the grass and debris.
 - Mount the **blade (1)** and **blade adapter (5)** on the **mandrel (6)**.
 - Mount the **blade (1)** so that the **hi-lift edges (7)** are up. If the **blade** is upside down, the **blade** will not cut correctly and can cause an accident.
 - Fasten the **blade (1)** with the original washers and **nut (3)**. Make sure the outside rim of the **Belleville washer (2)** is against the **blade (1)**.
-  **WARNING:** Always keep the **nut (3)** tight that holds the **blade (1)**. A loose nut or blade can cause an accident.
- Tighten the **nut (3)** that holds the **blade (1)** to a torque of 30 foot pounds (41,5 Nm).
 - Install the mower housing. See "How To Remove The Mower Housing".

How To Check The Blade Rotation Control

 **WARNING:** To prevent an injury, the blade rotation control must operate correctly.

In normal usage, the blade rotation control will not require an adjustment. However, if the cut-

ting performance decreases or the quality of cut is poor, make the following changes.

1. When you mow, make sure the throttle control is in the FAST position.
2. **(Figure 8)** Move the blade rotation control (1) to the **DISENGAGE position (8)**.
3. Stop the engine. Disconnect the spark plug lead.
4. Check the blade(s). Keep a sharp edge on the blade(s). A blade that is not sharp will cause the tips of the grass to become brown.
5. If the quality of cut has not improved, replace the mower drive belt. See "How To Replace The Mower Drive Belt". If replacing the belt does not correct the problem, take the unit to an authorised Hayter dealer.
6. Move the **blade rotation control (1)** to the **DISENGAGE position (8)**. Stop the engine. Disconnect the spark plug lead.
7. **(Figure 16)** Check the operation of the blade brake. Rotate the pulley with your hand. Make sure that the **brake pad (7)** is pressed tightly against the pulley.



WARNING: If the brake pad (7) does not press tightly against the pulley, take the unit to an authorised Hayter dealer.

8. **(Figure 8)** Move the **blade rotation control (1)** to the **ENGAGE position (9)**.
9. **(Figure 16)** Check the pads for the **blade brake (7)**. If the pads are excessively worn or damaged, replace the brake pad assemblies. Correct replacement parts and assistance are available from an authorised Hayter dealer.
10. Attach the spark plug lead. Mow for a short distance and again check the operation of the blade rotation control.
11. When you move the blade rotation control to the DISENGAGE position, all movement will stop within five seconds. If there is movement of the belt or the blades continue to rotate, engage and disengage the blade rotation control five times to remove any excess rubber from a new mower drive belt. If you need assistance, take the unit to an authorised Hayter dealer.

How To Adjust The Shift Lever **(Figure 17)**

If the NEUTRAL position on the shift lever does not match neutral on the gearbox, adjust the shift lever as follows.

1. Stop the engine.
2. Disconnect the **adjuster nut (2)** from the **shifter yoke (3)**.
3. Make sure the shift lever is in the NEUTRAL position.
4. Push the unit forward. Make sure the gearbox is in neutral.
5. To align the **adjuster nut (2)** with the hole in the **shifter yoke (3)**, turn the **adjuster nut (2)**.
6. Connect the **adjuster nut (2)** to the **shifter yoke (3)**.
7. Make sure the NEUTRAL position on the shift lever matches neutral on the gearbox.

F-050605L

How To Check And Adjust The Clutch **(Figure 18)**

If the motion drive belt is loose, the clutch will slip when; going up a hill, pulling a heavy load, or the unit will not move forward. Adjust the clutch as follows.



WARNING: Before you make an inspection, adjustment, or repair to the unit, disconnect the spark plug lead to prevent the engine from starting by accident.

1. Check the routing of the motion drive belt. Make sure the belt is installed correctly and is inside all the belt guides.
2. Remove the **cotter pin (1)**, **washer (2)**, and **brake spring (3)** from the **adjustable nut (4)**.
3. Disconnect the **adjustable nut (4)** from the **brake lever assembly (5)**.
4. Align the hole in the **brake lever (5)** with the rear of the slot in the **frame**.
5. Push the **clutch rod (6)** toward the rear. Turn the **adjustable nut (4)** until the nut will fit through the hole in the **brake lever (5)**.
6. Assemble the **adjustable nut (4)** to the **brake lever (5)** and to the **brake spring (3)**. Fasten with the **washer (2)** and **cotter pin (1)**.
7. If the belt still slips after the clutch has been adjusted, then the motion drive belt is worn or damaged and must be replaced. See "How To Replace The Motion Drive Belt".

How To Check And Adjust The Drive Brake **(Figure 19)**

Completely push the clutch/brake pedal forward. Set the parking brake. Move the shift lever to the neutral (N) position and push the unit. If the rear wheels rotate, adjust or replace the brake pads. Adjust the **drive brake (1)** as follows.

1. The location of the **drive brake (1)** is on the left side of the **gearbox (3)**.
2. Make sure the parking brake is set and the shift lever is in neutral (N). Turn the **hex nut (2)** in a clockwise direction until the rear wheels do not turn when the unit is pushed forward.
3. Release the parking brake and push the unit. If the unit does not roll, turn the **hex nut (2)** in a counter-clockwise direction until the unit rolls.
4. Set the parking brake. Push the unit. If the rear wheels do not turn, the **drive brake (1)** is correctly adjusted. Release the parking brake.



WARNING: If you cannot correctly adjust the drive brake, replace the brake pads. Correct replacement parts and assistance are available from an authorised Hayter dealer.

How To Remove The Battery **(Figure 5)**

To charge or clean the **battery (1)**, remove the **battery (1)** from the unit as follows.



WARNING: To prevent sparks, disconnect the black battery cable (8) from the negative (-) terminal before you disconnect the red cable (5).



WARNING: The battery contains sulphuric acid which is harmful to the skin, eyes and clothing. If the acid gets on the body or clothing, wash with water.

1. Disconnect the **black cable (8)** from the negative (-) terminal.
2. Disconnect the **red cable (5)** from the **positive (+) terminal (4)**.
3. To disconnect the **battery retainer (2)** from the **battery tray (3)**, push in on the lower end of the **battery retainer (2)**.
4. Remove the **battery (1)** from the right side of the unit.

How To Charge The Battery **(Figure 5)**



WARNING: When you charge the battery, do not smoke. Keep the battery away from any sparks. The fumes from the battery acid can cause an explosion.

1. Before you charge the **battery (1)**, remove the **battery (1)** from the unit.
2. To charge the **battery (1)**, use a 12 volt battery charger. Charge at a rate of 6 amperes for 1 hour.
3. Install the **battery (1)**.



WARNING: To prevent sparks, fasten the red cable to the positive (+) terminal before you connect the black cable.

4. Fasten the **red cable (5)** to the **positive (+) terminal (4)** with the fasteners as shown.
5. Fasten the **black cable (8)** to the negative (-) terminal with the fasteners as shown.
6. Connect the **battery retainer (2)** to the **battery tray (3)**.

How To Level The Mower Housing

If the mower housing is level, the blade will cut easier and the lawn will look better.



WARNING: Before you make an inspection, adjustment, or repair to the unit, disconnect the spark plug lead to prevent the engine from starting by accident

1. Make sure the unit is on a hard flat surface.
2. Check the air pressure in the tyres. If the air pressure is incorrect, the mower housing will not cut level. Make sure the tyres are inflated to: Front Tyres 0,97 BAR (14 PSI), Rear Tyres 0,69 BAR (10 PSI).
3. Open the **cover (5)**.
4. **(Figure 20)** Move the **lift lever (1)** to the **LEVEL ADJUSTMENT position (2)**.
5. **(Figure 20 and 21)** Loosen the front and rear **adjuster knobs (4)**. Make sure both sides of the mower housing are setting on a flat surface. Also, make sure the lift links and adjuster plates are loose and can easily move up or down.
6. Tighten the front and rear **adjuster knobs (4)**. Make sure the **adjuster knobs (4)** are tight. If necessary, use a wrench to tighten the **adjuster knobs (4)**. For plastic **adjuster knobs (4)**, tighten to a torque of 7 foot pounds (9,5 N-m). For metal **adjuster knobs (4)**, tighten to a torque of 10 foot pounds (13,5 N-m).

7. (Figure 22) Raise the lift lever (1) from the LEVEL ADJUSTMENT position (2) to a CUTTING HEIGHT position (3).
8. Close the cover (5).
9. Mow for a short distance. If the height of cut is not level, repeat the above steps.

CAUTION: Do not operate with the mower housing in the LEVEL ADJUSTMENT position (2). If you operate in the LEVEL ADJUSTMENT position (2), the mower housing and blade will be damaged.

Where To Lubricate (Figure 23)



Models with grease fittings:
Lubricate with grease gun.
Apply grease with a brush to the areas shown.
Lubricate the areas shown with engine oil.

NOTE: Apply grease to the steering gear assembly.

CAUTION: If the unit is operated in dry areas that have sand, use a dry graphite spray to lubricate the unit.

Check The Tyres

Check the air pressure in the tyres. Tyres with too much air pressure will cause the unit to ride rough. Also, the wrong air pressure will keep the mower housing from cutting level. The correct air pressure is: Front Tyres 0,97 BAR (14 PSI), Rear Tyres 0,69 BAR (10 PSI).

How To Replace The Motion Drive Belt (Figure 24)

1. Remove the mower housing. See the instructions on "How To Remove The Mower Housing".
2. Completely push the pedal forward and engage the parking brake.
3. Remove the idler pulley (1).
4. Loosen the belt guides (5) next to the drive pulley (4).
5. Remove the motion drive belt (3) from the drive pulley (4).
6. Remove the motion drive belt (1) from the stack pulley (2).
7. A correct replacement part or assistance is available from an authorised Hayter dealer in your area.
8. To install the motion drive belt, reverse the above steps.
9. Check the routing of the motion drive belt (1). Make sure the motion drive belt is installed correctly on the idler pulley (2). Make sure the motion drive belt (1) is inside all the belt guides.
10. Before you use the unit, check the adjustment of the clutch. See the instructions "How To Check And Adjust The Clutch".
11. Install the mower housing. See the instructions "How To Install The Mower Housing".

How To Replace The Mower Drive Belt (Figure 16)

1. Remove the mower housing. See the instructions on "How To Remove The Mower Housing".
2. Pull the belt retainer (1) away from the idler pulley (2) and remove the mower drive belt (3).
3. Pull the brake pad (7) away from the jack-shaft pulley (4) and remove the mower drive belt (3).

NOTE: Replace the mower drive belt (3) with an original equipment belt from an authorised Hayter dealer.

4. A correct replacement part or assistance is available from an authorised Hayter dealer in your area.
5. To install the motion drive belt, reverse the above steps.
6. Install the mower housing. See the instructions on "How To Install The Mower Housing".
7. Before you mow, check the blade rotation control. See the instructions on "How To Adjust The Blade Rotation Control".

How To Remove The Mower Housing

1. (Figure 8) Move the blade rotation control (1) to the DISENGAGE position (8).
2. (Figure 20) Move the lift lever (1) to the LEVEL ADJUSTMENT position (2).

NOTE: Make sure the lift lever (1) is locked in the LEVEL ADJUSTMENT position (2).

3. (Figure 28) Remove the hair pins and the washers from the rear suspension arms (3). See illustrations "C" and "D".
4. Remove the hair pins and washers from the suspension links (4). See illustrations "A" and "B".
5. Disconnect the extension spring (5) from the blade control rod (6). See illustration "E".
6. Disconnect the front hanger (9) from the frame support. See illustration "F".
7. Remove the mower drive belt (7) from the stack pulley (8). See illustration "G".
8. Pull the mower housing away from the right side of the unit.
9. To operate without the mower housing, move the lift lever to the TOP position.
10. To install the mower housing, reverse the above steps.
11. Make sure the mower drive belt (7) is inside all the belt guides (10) and is also below the spacer tube (11).

How To Install The Wheels

If the wheels must be removed for service, make sure they are installed as follows:

Front Wheel (Figure 25)

1. Make sure the valve stem (2) is to the outside. Slide the front wheel (1) onto the spindle (3).

2. Fasten the front wheel (1) with washers (4) and cotter pin (5). Bend the ends of the cotter pin (5) apart to keep the front wheel (1) on the spindle (3).
3. If your model has hub caps (6), install the hub caps (6). Make sure the washers (4) hold the hub caps (6) in place.

Rear Wheel (Figure 26)

1. Install the washers (7) and spacer (8) onto the axle (9).
2. Mount the square key (10) in the key slot (11).
3. Make sure the valve stem (2) is to the outside. Align the slot in the rear wheel (12) with the square key (10). Slide the rear wheel (12) on the axle (9).
4. Fasten the rear wheel (12) with washer (7) and e-ring (13).
5. If your model has hub caps (6), install the hub caps (6). Make sure the washer (7) holds the hub caps (6) in place.

How To Replace The Fuse

If the fuse is blown, the engine will not start. Remove the fuse and replace with a 15 amp automotive fuse.

Storage (over 30 days)

At the end of each year, prepare the unit for storage as follows.

1. Drain the fuel from the carburettor and the fuel tank. Change the engine oil. See the engine manufacturer's instructions.
2. Clean the entire unit.
3. Charge the battery.

How To Order Replacement Parts

The replacement parts are shown either on the back pages of this Instruction Book or in a separate Parts List Book.

Use only manufacturer's authorized or approved replacement parts.

In order to obtain proper replacement parts you must supply the model number of your mower (see nameplate).

If you are unable to obtain parts or service in the manner outlined above, then contact: Hayter Ltd, Parts Department, Spellbrook Lane West, Spellbrook, Bishop's Stortford, Herts CM23 4BU, England

Replacement parts for the engine, transaxle, or transmission, are available from the manufacturer's authorized service centre found in the commercial pages of the telephone directory. Also, see the individual engine or transmission warranties to order replacement parts.

When ordering the following information is required:

- (1) The Model Number
- (2) Serial Number
- (3) Part Number
- (4) Quantity

TROUBLE SHOOTING CHART

PROBLEM: The engine will not start.

1. Follow the steps, "How To Start The Engine" in this book.
2. Electric-Start Models: Clean the battery terminals. Tighten the cables.
3. Check for a loose wire. Tighten the limit switches. (See the wiring diagram.)
4. Drain the fuel tank. Clean the fuel line. Replace the fuel filter.
5. Remove the spark plug(s). Move the throttle to the SLOW position. Turn the ignition key to the ON position. Try to start the engine several times. Install the spark plug.
6. Replace the spark plug.
7. Adjust the carburettor.

PROBLEM: The engine will not turn over.

1. Follow the steps, "How To Start The Engine" in this book.
2. Electric-Start Models: Charge the battery.
3. Replace the fuse.
4. Check the wiring harness for damage or a loose connection. Repair the damaged wire.
5. Electric-Start Models: replace the solenoid. Recoil-Start Models: replace the module.

PROBLEM: The engine is difficult to start.

1. Adjust the carburettor.
2. Replace the spark plug.
3. Replace the fuel filter.

PROBLEM: The engine does not run smooth or has a loss of power.

1. Check the oil.
2. Clean the air filter.
3. Clean the air screen.
4. Replace the spark plug.
5. The engine is working too hard. Use a lower gear.
6. Adjust the carburettor.
7. Replace the fuel filter.

PROBLEM: The engine does not run smooth at fast speed.

1. Replace the spark plug.
2. Adjust the throttle control.

3. Clean the air filter.
4. Replace the fuel filter.

PROBLEM: The engine stops when the blades are engaged.

1. Check the wiring harness for damage or a loose connection. Repair the damaged wire.
2. Grass bag must be installed (applies only to model with rear discharge grass bag).

PROBLEM: On slopes, the engine stops.

1. Mow up and down slopes. Never mow across a slope.

PROBLEM: The engine will not idle.

1. Replace the spark plug.
2. Clean the air filter.
3. Adjust the carburettor.
4. Adjust the throttle control.
5. Drain the fuel tank. Clean the fuel line. Replace the fuel filter.

PROBLEM: A hot engine causes a decrease in power.

1. Clean the air screen.
2. Check the oil.
3. Adjust the carburettor.
4. Replace the fuel filter.

PROBLEM: Excessive vibration.

1. Replace the blade.
2. Check for loose engine bolts.
3. Decrease the air pressure in the tyres.
4. Adjust the carburettor.
5. Check for a damaged belt or damaged pulley. Replace the damaged parts.

PROBLEM: The grass does not discharge correctly.

1. Stop the engine. Clean the mower housing.
2. Raise the height of cut.
3. Replace or sharpen the blade(s).
4. Move the shift lever to a slower speed.
5. Move the throttle control to the FAST position.
6. Replace the spring for the blade idler.

7. Clean the extension tube and the connector tube (applies only to model with rear discharge grass bag).

PROBLEM: The mower housing does not cut level.

1. Check the air pressure in the tyres.
2. Adjust the level of the mower housing.
3. Check the front axle. If the front axle does not freely pivot, loosen the axle bolt(s).

PROBLEM: The mower blades will not rotate.

1. Check the mower drive belt. Make sure the belt is installed correctly.
2. Replace the mower drive belt.

PROBLEM: The unit will not move when the clutch is engaged.

1. Check the motion drive belt. Make sure the belt is installed correctly.
2. Adjust the clutch.
3. Replace the motion drive belt.

PROBLEM: The unit moves slower or stops when the clutch is engaged.

1. Adjust the clutch.
2. Replace the motion drive belt.

PROBLEM: When the clutch/brake pedal is released, belt noise can be heard.

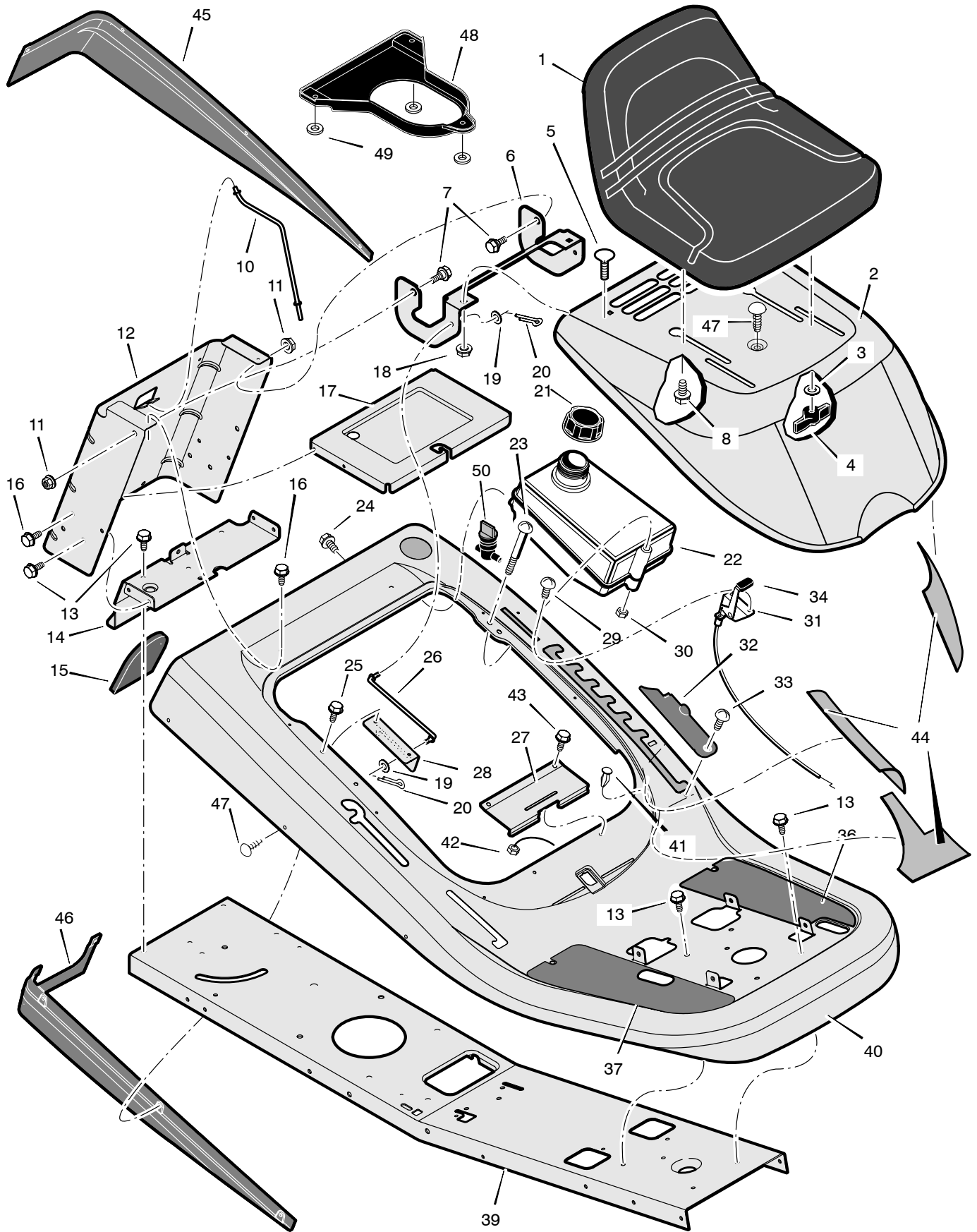
1. Temporary belt noise does not change the operation of the unit. If belt noise is continuous, check the routing of the belt. Make sure the belt is inside all belt guides.
2. If the noise is continuous, adjust the clutch.

PROBLEM: The rear wheels spin over uneven terrain.

1. Check the front axle. If the front axle does not freely pivot, loosen the axle bolt(s).

PROBLEM: The transaxle is difficult to shift between gears with the engine running and the clutch depressed.

1. Check the clutch adjustment to make sure the belt stops when the clutch pedal is depressed with the transaxle in (N) neutral.
2. Check the belt guides around the transaxle drive pulley. Make sure the belt guides do not touch the pulley.

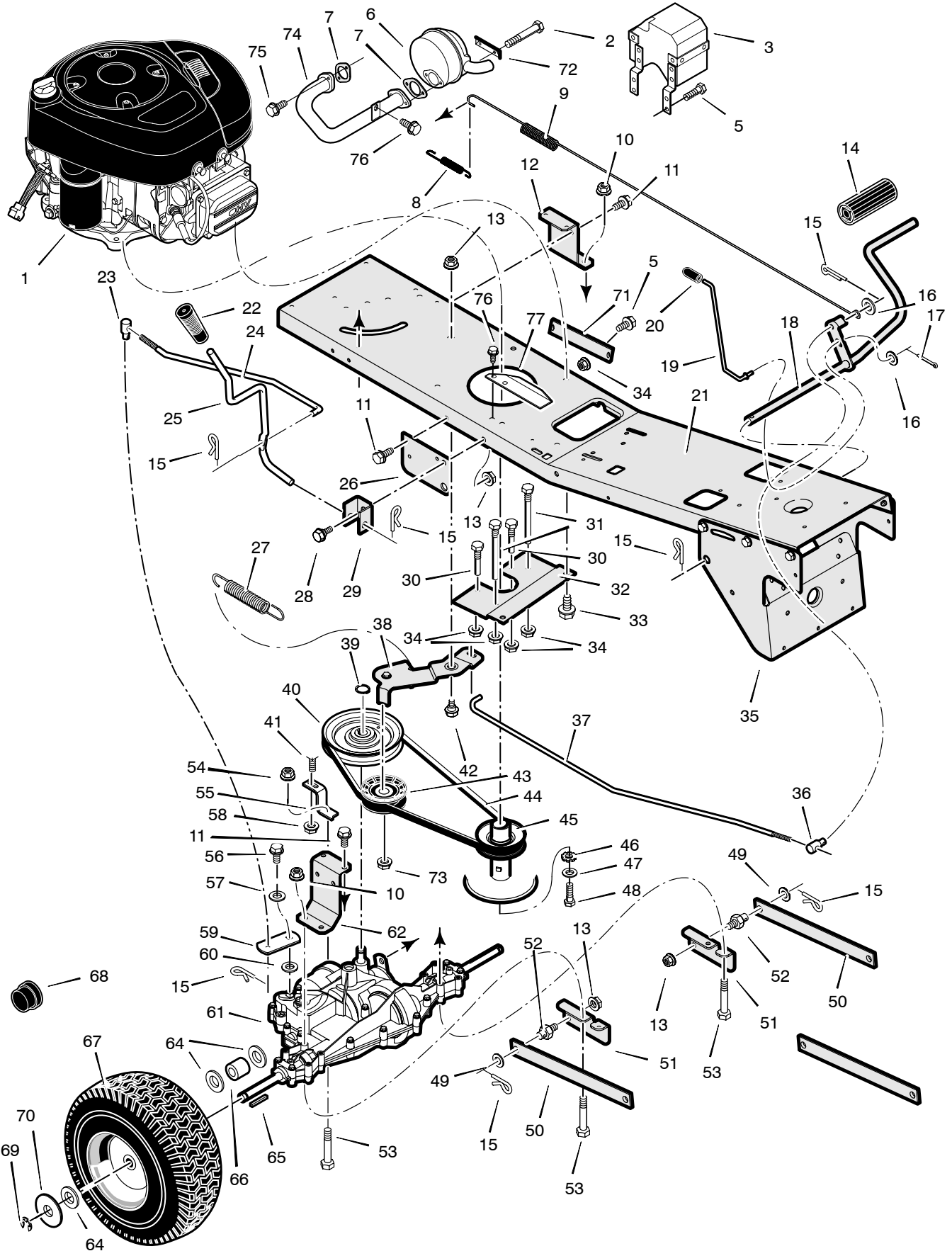


CODE 133C

REPAIR PARTS CHASSIS & HOOD

Key No.	Part No.	Description	Key No.	Part No.	Description
1	MU690566	Seat	26	MU1401110	Rod, Hood Prop
2	MU1401379E549	Hood	27	MU1401282	Spring, Seat Deck
3	MU017x47	Washer	28	MU1401297E701	Bracket, Prop Rod
4	MU1001054	Bolt, Wing	29	MU26x201	Screw
5	MU002x16	Bolt, Carriage	30	MU15x116	Nut, NY-Lock
6	MU1401378E549	Bracket, Hinge	31	MU1401248	Control, Throttle
7	MU009x29	Bolt, Shoulder	32	MU1401084	Cover, Detent (Black)
8	MU009x56	Bolt, Shoulder	33	MU009x47	Bolt, Shoulder
10	MU1401113	Rod, Battery	36	MU1401229	Footmat, Left (Black)
11	MU015x84	Nut, Flange	37	MU1401228	Footmat, Right (Black)
12	MU1401025E701	Plate, Rear	39	MU1401370E701	Frame
13	MU26x249	Screw	40	MU1401349E549	Deck, Seat
14	MU1401050E701	Plate, Hitch	41	MU094744	Bumper
15	MU1401087	Cover	42	MU15x116	Nut *
16	MU26x263	Screw	43	MU0025x2	Screw
17	MU1401076E701	Tray, Battery	44	MU7601036	Kit, Foil Heat Shield
18	MU015x79	Nut, Flange	45	MU1401073	Trim, Left
19	MU017x45	Washer	46	MU1401072	Trim, Right
20	MU0031x6	Pin, Cotter	47	MU0193x1	Fastener, Panel
21	MU092317	Cap, Fuel Tank *	48	MU1401380	Plenum
22	MU7601040	Tank, Fuel	49	MU028x44	Nut, Speed
23	MU06x111	Screw *	50	MU1002080	Valve, Fuel Shut-Off
24	MU26x253	Screw	- -	133010	Book, Instruction
25	MU26x263	Screw			

* These parts are included when ordering Key number 22.



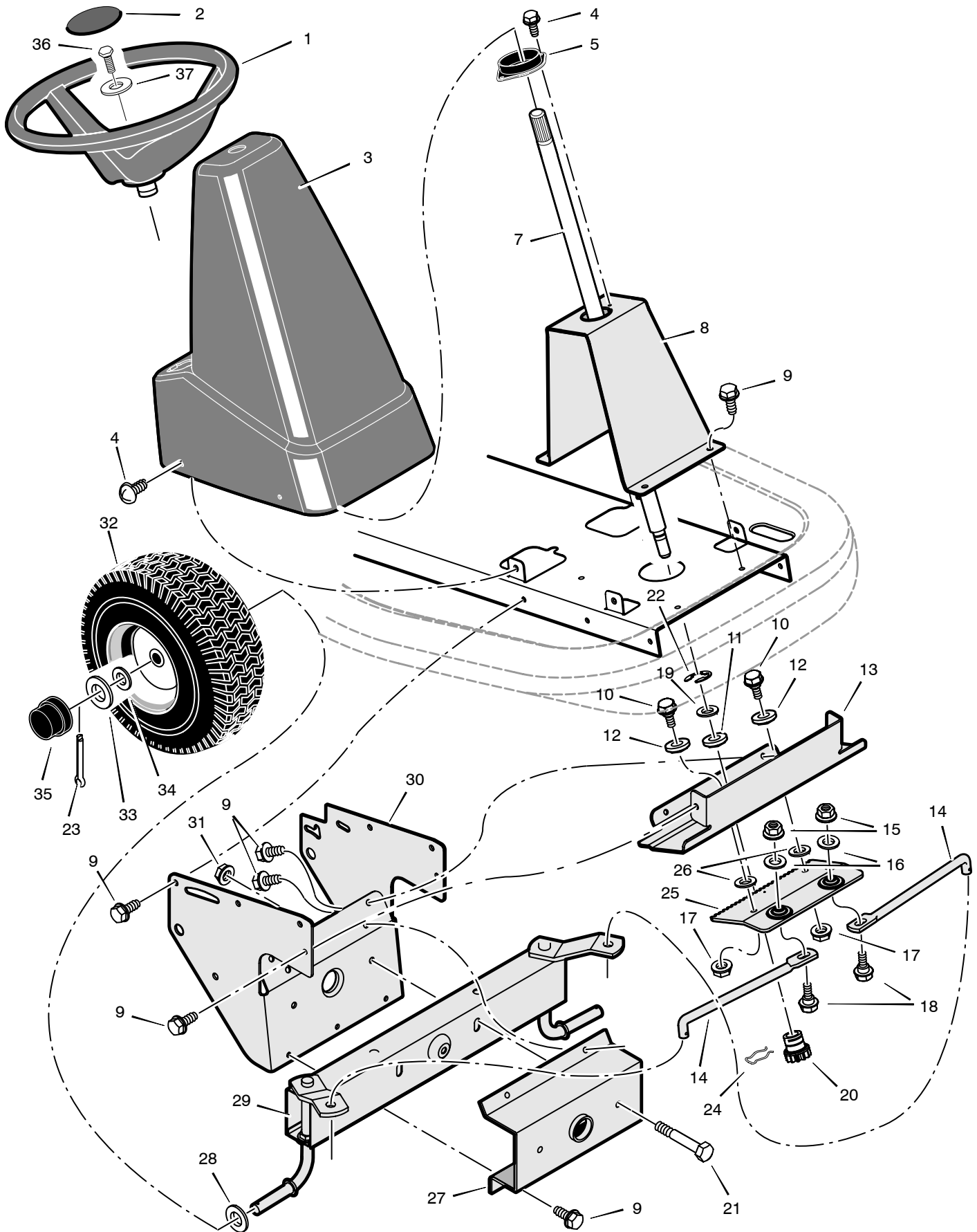
CODE 133C

REPAIR PARTS MOTION DRIVE

Key No.	Part No.	Description	Key No.	Part No.	Description
1	----	Engine, Briggs & Stratton	40	MU1401077	Pulley, Drive
2	MU01x134	Bolt, Hex	41	MU002x53	Bolt, Carriage
3	MU1401375	Shield Assembly, Heat	42	MU009x39	Bolt, Shoulder
5	MU026x267	Screw	43	MU1401252	Pulley, Idler
6	MU1401358	Muffler	44	MU37x110	Belt, Motion Drive
7	MU091309	Gasket, Muffler	45	MU1401066	Pulley, Split Stack
8	MU165x75	Spring, Extension	46	MU019x35	Washer, Star
9	MU165x148	Spring, Extension	47	MU17x170	Washer
10	MU015x88	Nut	48	MU01x140	Bolt, Hex
11	MU26x249	Screw	49	MU17x120	Washer
12	MU1401268	Bracket, Left Transaxle	50	MU1401031E701	Arm, Rear
13	MU015x84	Nut, Flange	51	MU1401039	Bracket, Rear Hanger
14	MU021544	Cover, Pedal	52	MU094067	Pin, Threaded Shoulder
15	MU030x20	Pin, Cotter	53	MU01x155	Bolt, Hex
16	MU017x53	Washer	54	MU015x88	Nut
17	MU030x20	Pin, Cotter	55	MU1401051E701	Bracket, Torque Reactor
18	MU1401127E701	Pedal Assembly	56	MU06x105	Screw
19	MU1401112	Rod, Parking Brake	57	MU017x38	Washer, Shift Yoke
20	MU091079	Grip, Parking Brake Rod	58	MU015x43	Nut
21	MU1401370E701	Frame	59	MU1401351 Z	Yoke, Shift
22	MU092697	Grip, Shift Lever	60	MU17x148	Washer
23	MU1401148 Z	Nut, Adjusting	61	-----	Transaxle, Peerless
24	MU1401122	Link, Shift	62	MU1401042	Bracket, Right Transaxle
25	MU1401111	Lever, Shift	64	MU17x160	Washer
26	MU1401032	Bracket, Lift Pivot	65	MU056534	Key, Square
27	MU165x147	Spring, Extension	66	MU1401103	Spacer, Rear Wheel
28	MU009x39	Bolt, Shoulder	67	MU1401120	Wheel, Rear -15"
29	MU1401043	Bracket, Pivot	68	MU094618	Cap, Hub
30	MU1401104	Guide, Belt -Short	69	MU0011x3	E-Ring
31	MU1401105	Guide, Belt -Long	70	MU17x195	Washer
32	MU1401057	Plate, Belt Guide	71	MU1401260E701	Plate, Reinforcement
33	MU0025x7	Bolt	72	MU092378	Lock, Screw
34	MU015x79	Nut, Flange	73	MU015x98	Nut
35	MU1401059	Bracket, Support	74	MU1401357	Tube, Exhaust
36	MU094815	Nut, Adjusting	75	MU06x103	Screw
37	MU1401078	Rod, Clutch	76	MU26x263	Screw
38	MU1401128	Clutch Arm Assembly	77	MU1401396	Shield, Heat
39	MU0011x7	Ring, Retainer			

* When you order a tire, make sure to give the brand name of the tire so that the tread pattern on the tire will match.

** For information on Replacement Parts see the Central Parts Distributor in your area.



CODE 133C

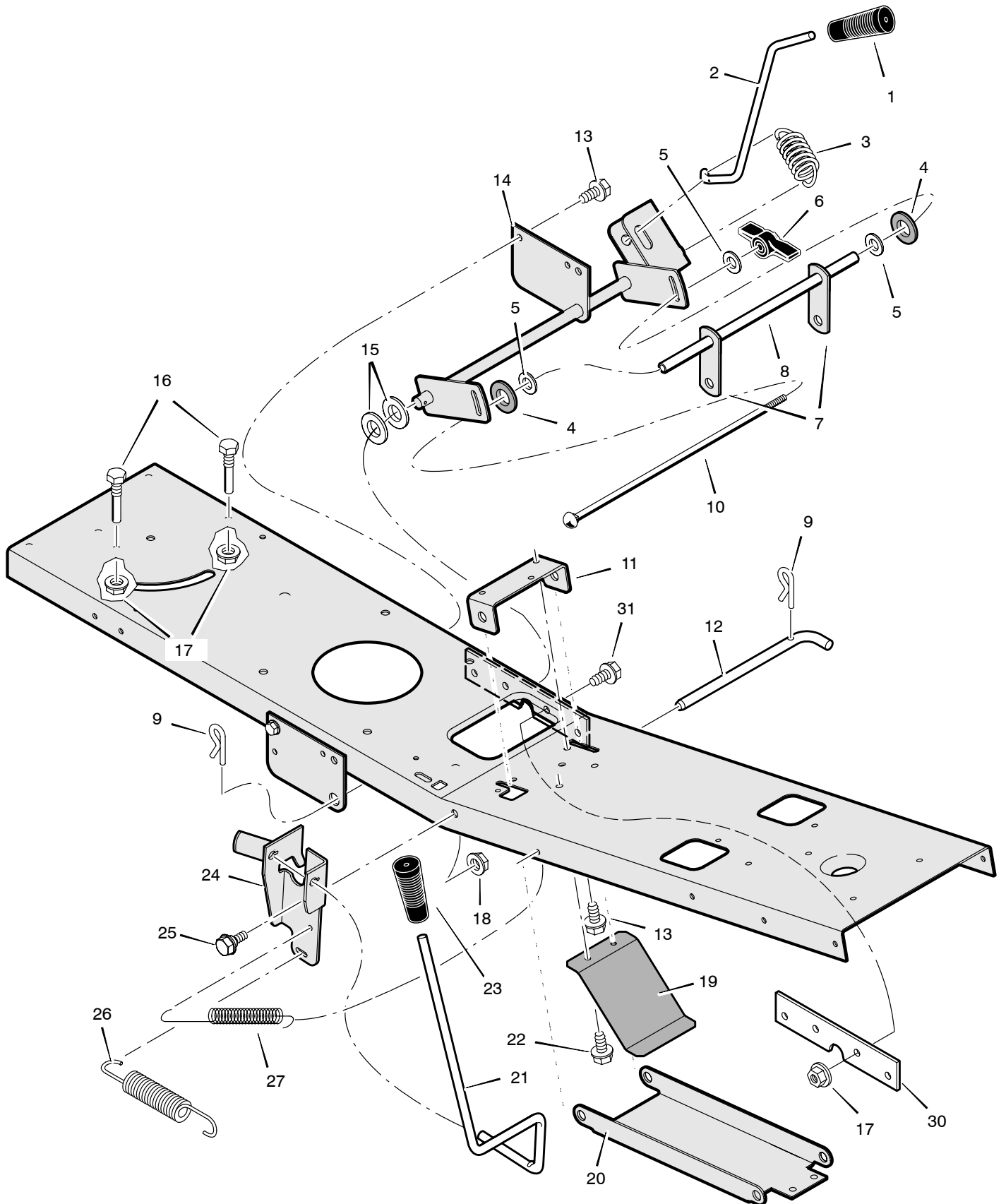
REPAIR PARTS STEERING

Key No.	Part No.	Description	Key No.	Part No.	Description
1	MU095185	Wheel, Steering	20	MU1401099	Gear, Pinion
2	MU711326	Cap, Steering	21	MU01x146	Bolt, Hex
3	MU1401067	Console, High -Black	22	MU011x28	E-Ring, Retainer
4	MU26x270	Screw	23	MU030x35	Pin, Cotter
5	MU1401090	Bearing, Upper Steering	24	MU094131	Retainer, Spring
7	MU1401100	Shaft, Steering	25	MU1401046E701	Rack, Steering
8	MU1401055E701	Support, Steering	26	MU17x201	Washer
9	MU26x249	Screw	27	MU1401376E701	Bracket, Axle Front
10	MU009x67	Bolt, Shoulder	28	MU17x157	Washer
11	MU1401098	Bearing, Lower Steering	29	MU1401250E701	Axle & Spindle Assembly
12	MU1401102	Roller	30	MU1401059E701	Bracket, Support
13	MU1401058E701	Plate, Gear Mounting	31	MU15x118	Nut, Flange
14	MU1401123E701	Link, Drag	32	MU1401143	Wheel, Front
15	MU015x84	Nut, Flange	33	MU17x197	Washer
16	MU17x104	Washer	34	MU17x157	Washer
17	MU015x88	Nut, Flange	35	MU094618	Cap, Hub
18	MU01x111	Bolt, Hex	36	MU0025x3	Bolt
19	MU17x118	Washer	37	MU17x146	Washer

* When you order a tire, make sure to give the brand name of the tire so that the tread pattern on the tire will match.

CODE 133C

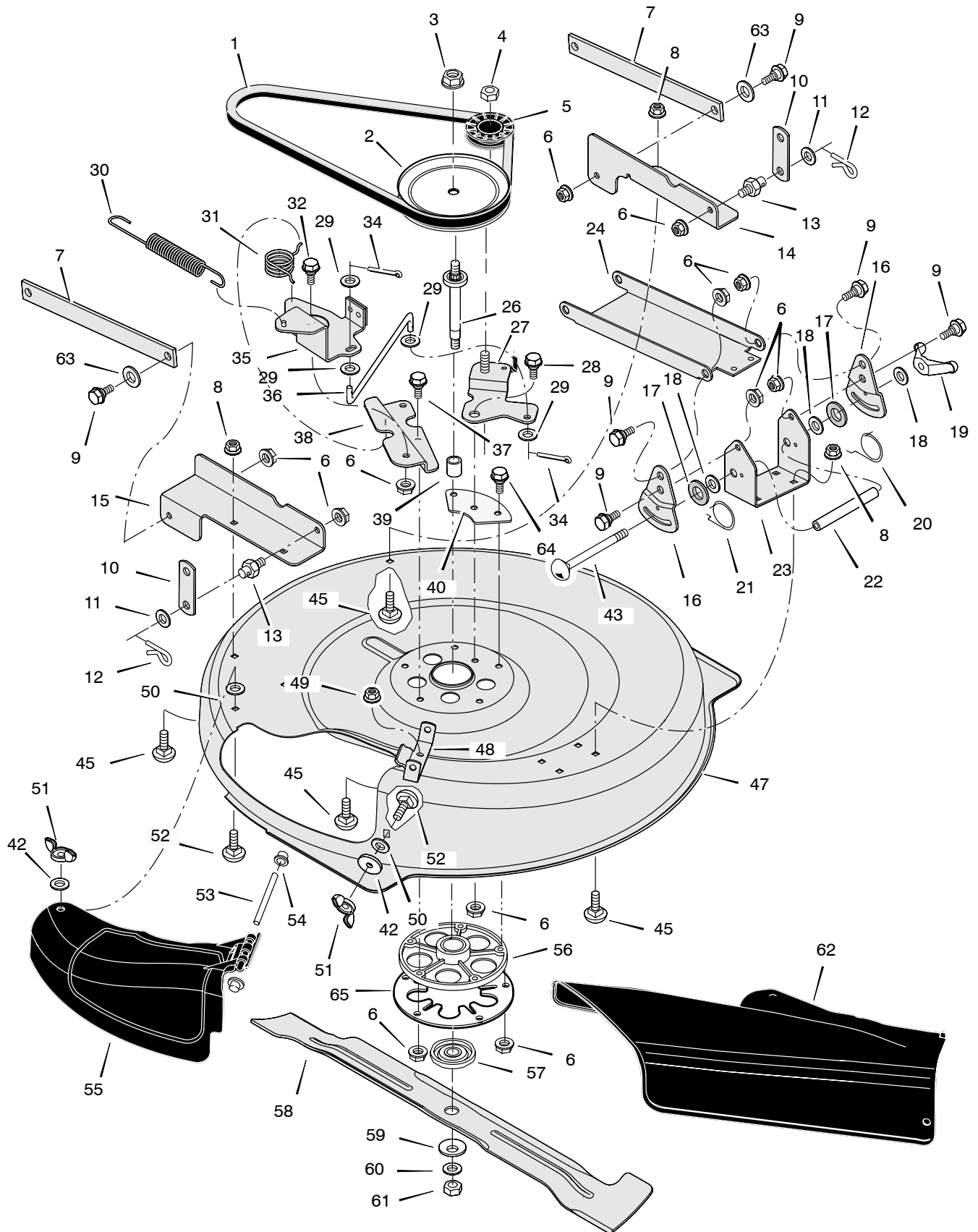
REPAIR PARTS MOWER HOUSING SUSPENSION



CODE 133C

REPAIR PARTS MOWER HOUSING SUSPENSION

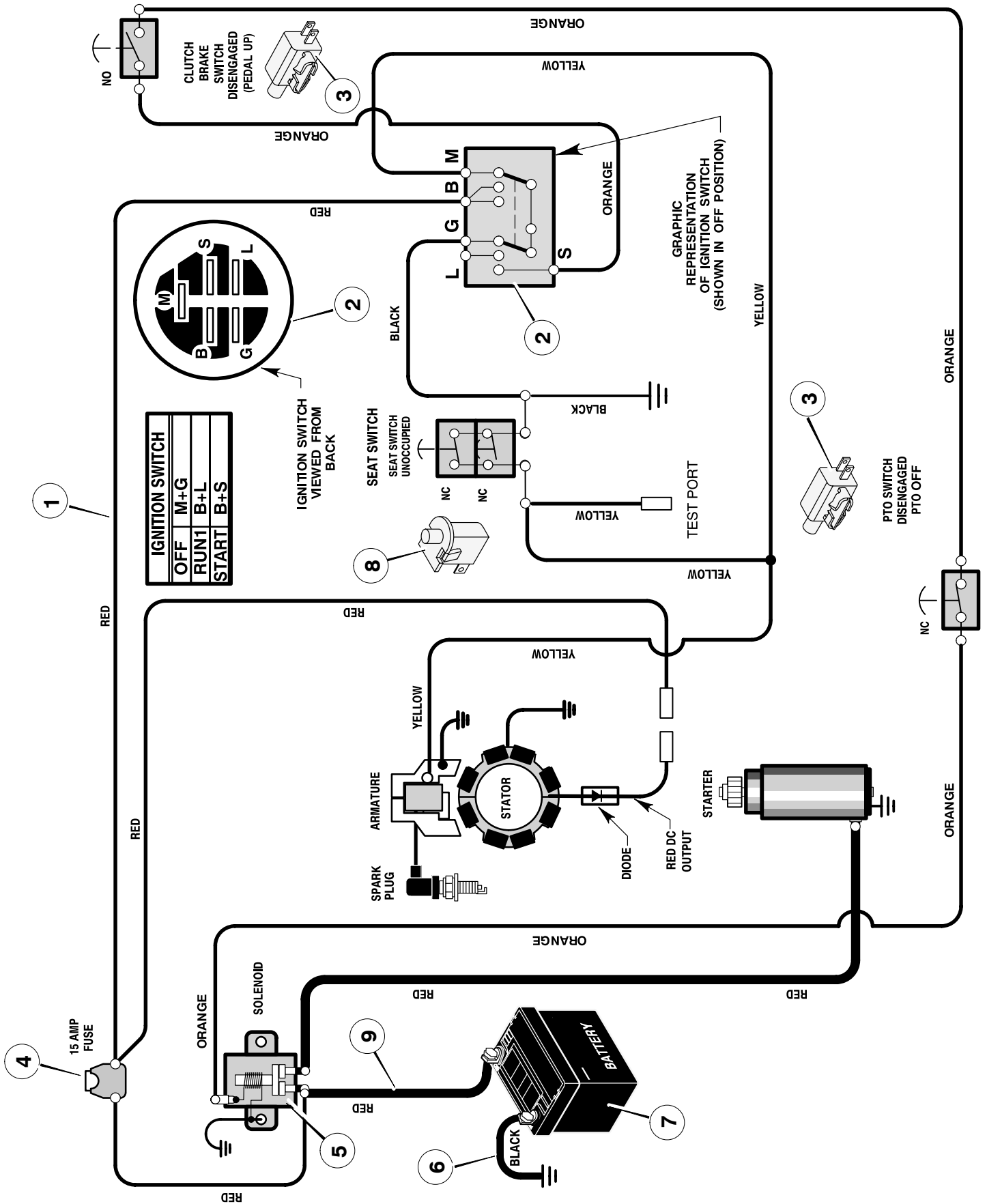
Key No.	Part No.	Description	Key No.	Part No.	Description
1	MU092697	Grip, Lift Lever	16	MU093349	Screw, Guide
2	MU1401117	Lever, Lift	17	MU015x79	Nut, Flange
3	MU165x154	Spring, Extension	18	MU015x84	Nut, Flange
4	MU094137	Pad, Friction	19	MU1401147	Spring, Leaf
5	MU017x45	Washer	20	MU1401040E701	Hanger, Front
6	MU095004	Wingnut	21	MU1401116	Lever, PTO
7	MU1401033E701	Link, Lift	22	MU26x263	Screw
8	MU1401096	Tube, Spacer	23	MU094198	Grip, PTO
9	MU0031x4	Pin, Hair	24	MU1401369E701	Bracket, PTO
10	MU002x93	Bolt, Carriage	25	MU009x42	Bolt, Shoulder
11	MU1401030E701	Bracket, Front Hanger Pivot	26	MU165x157	Spring, Extension
12	MU1401118	Pin, Front Hanger	27	MU165x92	Spring, Extension
13	MU26x249	Screw	30	MU1401260	Plate, Reinforcement
14	MU1401129E701	Arm Assembly, Lifter	31	MU26x267	Screw
15	MU17x206	Washer			



CODE 133C

REPAIR PARTS MOWER HOUSING

Key No.	Part No.	Description	Key No.	Part No.	Description
1	MU37x111	Belt, Blade Drive	32	MU009x42	Bolt, Shoulder
2	MU1401092	Pulley, Input	34	MU030x20	Pin, Cotter
3	MU15x140	Locknut	35	MU1401185E701	Arm Assembly, Brake
4	MU015x98	Nut, Flange	36	MU1401119	Link, Idler Arm
5	MU1401252	Pulley, Idler	37	MU0025x7	Bolt
6	MU015x84	Nut, Flange	38	MU1401052E701	Bracket, Brake Mounting
7	MU1401031E701	Arm, Rear	39	MU1401094	Spacer, Jackshaft
8	MU015x79	Nut, Flange	40	MU1401259 Z	Plate, Idler Mounting
9	MU009x58	Bolt, Shoulder	42	MU019x45	Washer
10	MU1401033E701	Link, Lift	43	MU002x94	Bolt, Carriage
11	MU017x45	Washer	45	MU002x53	Bolt, Carriage
12	MU0031x4	Pin, Hair	47	MU1401028E701	Housing, Blade
13	MU094067	Pin, Threaded Shoulder	48	MU1401106E701	Hinge, Mulching Cover
14	MU1401047E701	Bracket, Left Rear	49	MU015x88	Nut, Flange
15	MU1401296E701	Bracket, Right Rear	50	MU028x76	Nut, Speed
16	MU1401038E701	Plate, Adjustment	51	MU014x86	Wingnut
17	MU094137	Pad, Friction	52	MU002x74	Bolt, Carriage
18	MU017x45	Washer	53	MU091767 Z	Rod, Chute Deflector
19	MU095004	Wingnut	54	MU028x23	Cap, Push
20	MU166x43	Spring, Left Torsion	55	MU1401080	Cover, Mulch
21	MU166x42	Spring, Right Torsion	56	MU094305	Mandrel Housing
22	MU1401095	Tube, Spacer	57	MU1001035	Adapter, Blade
23	MU1401037E701	Bracket, Deck	58	MU1401079E701	Blade
24	MU1401369E701	Hanger, Front	59	MU17x166	Washer, Cup
26	MU1401065	Shaft, Splined	60	MU17x165	Washer
27	MU1401258E701	Arm Assembly , Idler	61	MU15x100	Nut, Blade Mount
28	MU009x39	Bolt, Shoulder	62	MU1401081	Deflector, Chute
29	MU017x47	Washer	63	MU017x91	Washer
30	MU165x157	Spring, Extension	64	MU025x23	Bolt
31	MU166x46	Spring, Torsion	65	MU1001952	Plate, Jackshaft Support



Key No.	Part No.	Description
1	MU250x115	Harness, Chassis Wire
2	MU1401149	Switch, Ignition
	MU327349	Key, Ignition
3	MU1001575	Switch, Limit
4	MU054212	Fuse
	MU407078	Holder, Fuse
5	MU1002004	Solenoid
	MU26x229	Screw, Mounting
	MU15x116	Locknut
6	MU024x37	Cable, Battery Ground
7	MU092739	Battery
	MU002x82	Bolt, Carriage
	MU014x79	Wingnut
8	MU094159	Switch, Seat Sensor
9	MU024x24	Cable, Red Battery
	MU690604	Boot, Positive Terminal

-
- (D) EG-Konformitätserklärung**
entsprechend der Richtlinie 98/37/EG
entsprechend der Richtlinie 89/336/EWG
entsprechend der Richtlinie 2000/14/EG
- (GB) EC Certificate of Conformity**
conforming to Directive 98/37/EC
conforming to Directive 89/336/EEC
conforming to Directive 2000/14/EC
- (F) Déclaration de conformité pour la CEE**
conforme à la directive 98/37/CE
conforme à la directive 89/336/CEE
conforme à la directive 2000/14/CE
- (I) Certificato di conformita' comunitario**
conforme alla Direttiva 98/37/CE
conforme alla Direttiva 89/336/CEE
conforme alla Direttiva 2000/14/CE
- (E) Declaración de Conformidad**
según la directiva 98/37/CE
según la directiva 89/336/CEE
según la directiva 2000/14/CE
- (NL) EG-Conformiteitsverklaring**
overeen komstig de Richtlijn 98/37/EG
overeen komstig de Richtlijn 89/336/EEG
overeen komstig de Richtlijn 2000/14/EG
- (P) Declaração de conformidade**
conforme com a Diretiva 98/37/CE
conforme com a Diretiva 89/336/CEE
conforme com a Diretiva 2000/14/CE
- (S) EU-konformitetsintyg**
överensstämmande med direktiv 98/37/EG
överensstämmande med direktiv 89/336/EEG
överensstämmande med direktiv 2000/14/EG
- (N) EU-konformitetserklæring**
overholder direktiv 98/37/EF
overholder direktiv 89/336/EØS
overholder direktiv 2000/14/EF
- (DK) EU-overensstemmelseserklæring**
overholder direktiv 98/37/EF
overholder direktiv 89/336/EØF
overholder direktiv 2000/14/EF
- (SF) EY: n Vaatimustenmukaisuusilmoitus**
naudattaa direktiiviä 98/37/EY
naudattaa direktiiviä 89/336/ETY
naudattaa direktiiviä 2000/14/EY

erklären in alleiniger Verantwortung, daß das Produkt
 declare in sole responsibility, that the product
 déclarons sous notre seule responsabilité que le produit
 dichiariamo sotto la nostra piena responsabilità che il prodotto
 declaramos bajo responsabilidad propia que el producto
 verklaren enig in verantwoording, dat het produkt
 declaramos com responsabilidade própria que o produto
 intyggar med ensamansvar att nedanstående produkt
 erklærer som eneansvarlig at produktet
 erklærer som eneansvarlig, at produktet
 ilmoitamme yksin vastaavamme, että tuote

309029x11C

(Fabrikat, Typ) (Make, model) (Marque, modèle) (Marca, tipo)
 (Marca, modelo) (Fabricant, type) (Marca, modelo) (Fabrikat, typ)
 (Fabrikat, type) (Mærke, type) (Merkki, malli)

auf das sich diese Erklärung bezieht, den Anforderungen der Richtlinie 98/37/EG, der Richtlinie 2000/14/EG
 (Konformitätsbewertungsverfahren gemäß Anhang VIII) Richtlinie 2002/88/EC und der Richtlinie 89/336/EEG und aktuellen
 Ergänzungen entspricht

to which this certificate applies, conforms to the requirements of Directive 98/37/EC, Directive 2000/14/EC (conformity assessment
 procedure according to Annex VIII), Directive 2002/88/EC and Directive 89/336/EEC and current amendments

faisant l'objet de la déclaration est conforme aux prescriptions fondamentales stipulées dans la Directive 98/37/CE, la directive
 2000/14/CE (procédure d'évaluation de conformité selon l'annexe VIII), directive 2002/88/EC la directive 89/336/CEE et leurs
 modifications courantes

cui la presente dichiarazione si riferisce, è conforme ai requisiti della Direttiva 98/37/CE, della Direttiva 2000/14/CE (procedura di
 valutazione della conformità secondo l'Allegato VIII), Direttiva 2002/88/EC e della Direttiva 89/336/CEE e correnti emendamenti
 al cual se refiere la presente declaración corresponde a las exigencias de la directiva 98/37/CE, de la directiva 2000/14/CE (los
 procedimientos de evaluación de conformidad según el Anexo VIII) directiva 2002/88/EC y de la directiva 89/336/CEE y enmiendas
 vigentes

waarop deze verklaring betrekking heeft, overeenkomt met eisen van de richtlijn 98/37/EG, de richtlijn 2000/14/EG
 (conformiteitsbeoordelingsprocedure volgens bijlage VIII), richtlijn 2002/88/EC de richtlijn 89/336/EEG en huidige wijzigingen
 ao que se refere esta declaração corresponde às exigências da Directiva 98/37/CE, Directiva 2000/14/CE (em conformidade com o
 processo de avaliação, de acordo com o Anexo VIII) Directiva 2002/88/EC e Directiva 89/336/CEE e actuais alterações
 för vilket detta intyg gäller, uppfyller kraven enligt direktiv 98/37/EG, direktiv 2000/14/EG (procedur för bedömning av överensstämmelse
 enligt tillägg VIII), direktiv 2002/88/EC, 89/336/EEG samt allmänna tillägg

som denne erklæring vedrører, oppfylder kravene i direktiv 98/37/EF, direktiv 2000/14/EF (konformitetsvurderingsprosedyre i henhold til
 annekts VIII) direktiv 2002/88/EC og direktiv 89/336/EØS og aktuelle vedlegg

som denne erklæring vedrører, overholder kravene i direktiv 98/37/EF, direktiv 2000/14/EF (konformitetsvurderingsprocedure iflg. Annex
 VIII) direktiv 2002/88/EC og direktiv 89/336/EØF og ændringer

johon tämä ilmoitus liittyy, vastaa direktiivin 98/37/EY, direktiivin 2000/14/EY (Liitteen VIII mukaisten yhdenmukaisuuden
 arviointitoimien), direktiivin 2002/88/EC, direktiivin 89/336/ETY ja nykyisten muutosten vaatimuksia

Zursachgerechten Umsetzung der EG-Richtlinien wurde(n) folgende Norm(en) und/oder technische Spezifikation(en) herangezogen:
 EN 836/A2:2001, EN 836:1997, BS EN 1033:1996 und/oder BS EN 1032:1997, EN ISO 3744:1995, ISO 11094:1991

To effect correct application of the EEC Directives, the following standards and/or technical specifications were consulted: EN
 836/A2:2001, EN 836:1997, BS EN 1033:1996 and/or BS EN 1032:1997, EN ISO 3744:1995, ISO 11094:1991

Pour mettre en pratique les Directives de la CEE, il a été tenu compte de la/des norme(s) et/ou de la/des spécification(s) technique(s)
 suivante(s): EN 836/A2:2001, EN 836:1997, BS EN 1033:1996 et/ou BS EN 1032:1997, EN ISO 3744:1995, ISO 11094:1991

Per un'opportuno riscontro della normativa CEE, è (sono) stata(e) consultata(e) la(e) seguente(i) norma(e) e/o specifica(che)
 tecnica(che): EN 836/A2:2001, EN 836:1997, BS EN 1033:1996 e/o BS EN 1032:1997, EN ISO 3744:1995, ISO 11094:1991

Con el fin de realizar de forma adecuada las exigencias en las normativas de la CEE (fué(ron) consultada(s) la(s) siguiente(s)
 normativa(s) y especificación(es) técnica(s): EN 836/A2:2001, EN 836:1997, BS EN 1033:1996 y/o BS EN 1032:1997, EN ISO
 3744:1995, ISO 11094:1991

Om de EG-richtlijnen in juiste vorm om te zetten, is/zijn van volgende norm(en) en/of technische specificatie(s) gebruik gemaakt: EN
 836/A2:2001, EN 836:1997, BS EN 1033:1996 en/of BS EN 1032:1997, EN ISO 3744:1995, ISO 11094:1991

Com o fim de realizar de forma apropriada as exigências nas normas da C.E.E. consultou-se a(s) seguinte(s) norma(s) e/ou
 especificação(ões) técnica(s): EN 836/A2:2001, EN 836:1997, BS EN 1033:1996 e/ou BS EN 1032:1997, EN ISO 3744:1995, ISO
 11094:1991

Följande norm(er) och/eller teknisk(a) specifikation(er) har legat till grund för ett fackmässigt införande av de i EU-normerna: EN
 836/A2:2001, EN 836:1997, BS EN 1033:1996 och/eller BS EN 1032:1997, EN ISO 3744:1995, ISO 11094:1991

Følgende normer og/eller tekniske spesifikasjoner er lagt til grunn for gjennomførelse av EU-retningslinjene: EN 836/A2:2001, EN
 836:1997, BS EN 1033:1996 og/eller BS EN 1032:1997, EN ISO 3744:1995, ISO 11094:1991

Til gennemførelse af de EF-direktivet er følgende standard(er) og/eller tekniske specifikation(er) anvendt: EN 836/A2:2001, EN
 836:1997, BS EN 1033:1996 og/eller BS EN 1032:1997, EN ISO 3744:1995, ISO 11094:1991

ETY-direktiivin oikean soveltamisen varmistamiseksi on käytetty seuraavia standardeja ja/tai teknisiä erittelyjä: EN 836/A2:2001, EN
 836:1997, BS EN 1033:1996 ja/tai BS EN 1032:1997, EN ISO 3744:1995, ISO 11094:1991

Bauart	RASENTRAKTOR
Category	LAWN MOWER
Categorie	TONDEUSE A GAZON
Categoria	TORSAERBA
Categoría	CORTADORA DE CESPED
Categorie	GRASMAAIMACHINE
Categoria	CORTADOR DE GRAMA
Kategori	GRÄSKLIPPARE
Kategori	GRESSKLIPPER
Kategori	GRÆSSLÅMASKINE
Kategoria	RUOHONLEIKKURI

Fabrikmarke / Make / Marque / Marca / Marca / Merk / Marca / Fabriksmärke / Merke / Mærke / Merkki	MURRAY
--	--------

Typ / Type / Type / Tipo / Tipo / Model / Tipo / Typ / Type / Type / Tyypä	10,5 HP / 30
--	--------------

Garantierter Schalleistungspegel Guaranteed sound power level Niveau de puissance acoustique garanti Livello di potenza acustica garantito Nivel garantizado de potencia acústica Gewaarborgd niveau van geluidssterkte Nível de ruído motriz garantido Garanterad ljudstyrksnivå Garantert lydnivå Lydniveau garanti Taattu äänenvoiman taso	100 dB (A)
---	------------

Gemessener Schalleistungspegel Measured sound power level Niveau de puissance acoustique mesuré Livello di potenza acustica misurato Nivel medido de potencia acústica Gemeten niveau van geluidssterkte Nível de potencia acústica medido Uppmätt ljudstyrksnivå Mått lydnivå Mått lydniveau Mitattu äänentehotaso	99,8 dB (A)
---	-------------

Art der Schneidevorrichtung Type of cutting device Genre du dispositif de coupe Tipo di dispositivo di taglio Tipo de dispositivo de corte Soort snijmiddel Tipo de dispositivo cortante Typ av skäranordning Type klipperedskap Bladtype Leikkurityyppi	SICHELMESSER ROTATING BLADE LAME ROTATIVE LAMA ROTANTE CUCHILLA GIRATORIA ROTAREND BLAD LÂMINA ROTATIVA ROTAREND BLAD ROTAREND BLAD ROTAREND BLADE PYÖRIVÄ TERÄ
--	---

Schnittbreite / Width of cut / Largeur de coupe / Ampiezza di taglio / Ancho de corte / Snijbreedte / Extensão do corte / Skärbredd / Snittbredde / Skærebredde / Leikkujäljen leveys	76 cm
---	-------

Name und Adresse der in der Europäischen Gemeinschaft etablierten benannten Stelle für Richtlinie 2000/14/EG

Name and address of the notified body established in the European Community for Directive 2000/14/EC

Nom et adresse de l'organisme notifié établi dans la Communauté européenne pour la directive 2000/14/CE

Nome e indirizzo dell'organismo notificato stabilito nella Comunità Europea per Direttiva 2000/14/CE

SNCH
11, Route de Luxembourg
L - 5230 Sandweiler

Nombre y dirección del organismo notificado establecido en la Comunidad Europea para la Directiva 2000/14/CE

Naam en adres van de aangemelde instantie gevestigd in de Europese Gemeenschap voor richtlijn 2000/14/EG

Nome e morada do organismo notificado na Comunidade Europeia para Directiva 2000/14/CE

Namn och adress på godkännande organ inom EU för föreskrift 2000/14/EG

Navn og adresse til godkjennende organ innen EU for direktivet 2000/14/EF

Navn og adresse på det bemyndigede organ, som er etableret i De Europæiske Fællesskaber for direktiv 2000/14/EF

Euroopan yhteisön alueella olevan ilmoitetun laitoksen nimi ja osoite direktiivin 2000/14/EY mukaisesti

Brentwood, TN USA 2005.01.12
YYYY MM DD

 Director, International Sales

(Ort und Datum der Ausstellung)

(Place and date of issue)

(Lieu et date)

(Luogo e data del rilascio)

(Lugar y fecha de expedición)

(Plaats en datum van de verklaring)

(Lugar e data de emissão)

(Utfärdat ort/datum)

(Sted og datum)

(Sted og dato)

(Ilmoitus annettu paikka ja päiväys)

(Name, Funktion und Unterschrift des Befugten)

(Name and job function of authorized person)

(Nom, fonction et signature de la personne autorisée)

(Nome, qualifica e firma dell'incaricato)

(Nombre, función y firma del encargado)

(Naam, functie en handtekening van bevoegd persoon)

(Nome, cargo e assinatura do responsável)

(Namn, befattning och underskrift av behörig medarbetare)

(Bemyndigtes navn, funksjon og underskrift)

(Bemyndigedes navn, funktion og underskrift)

(Valtuutetun henkilön nimi ja tehtävä)