

GREAT **DANE™**

Scamper HG



ILLUSTRATED PARTS LIST AND TECHNICAL MANUAL

⚠ WARNING: The Engine Exhaust from this product contains chemicals known to the State of California to cause cancer, birth defects or other reproductive harm.

California Proposition 65 Warning

PC9315

North American Version
Litho in U.S.A.

TABLE OF CONTENTS

Engine/Traction Deck Assembly	2
Top Handles and Control Assembly	4
Lower Control Linkage, Top Handle and Fuel Tank Support.....	6
Transaxles, Park Brake and Controls	8
ISO Hydraulic Schematic.....	10
Engine and Related Components.....	12
Electrical and Related Components – Manual Start	14
Electrical and Related Components – Electric Start	16
Manual Start Logic Chart	18
Electric Start Logic Chart	19
Front Caster Assembly	20
36" Cutting Deck.....	22
48" and 52" Cutting Deck.....	24
Decals.....	26

All information, illustrations and specifications in this manual are based on the latest information at the time of publication. The right is reserved to make changes at any time without notice.

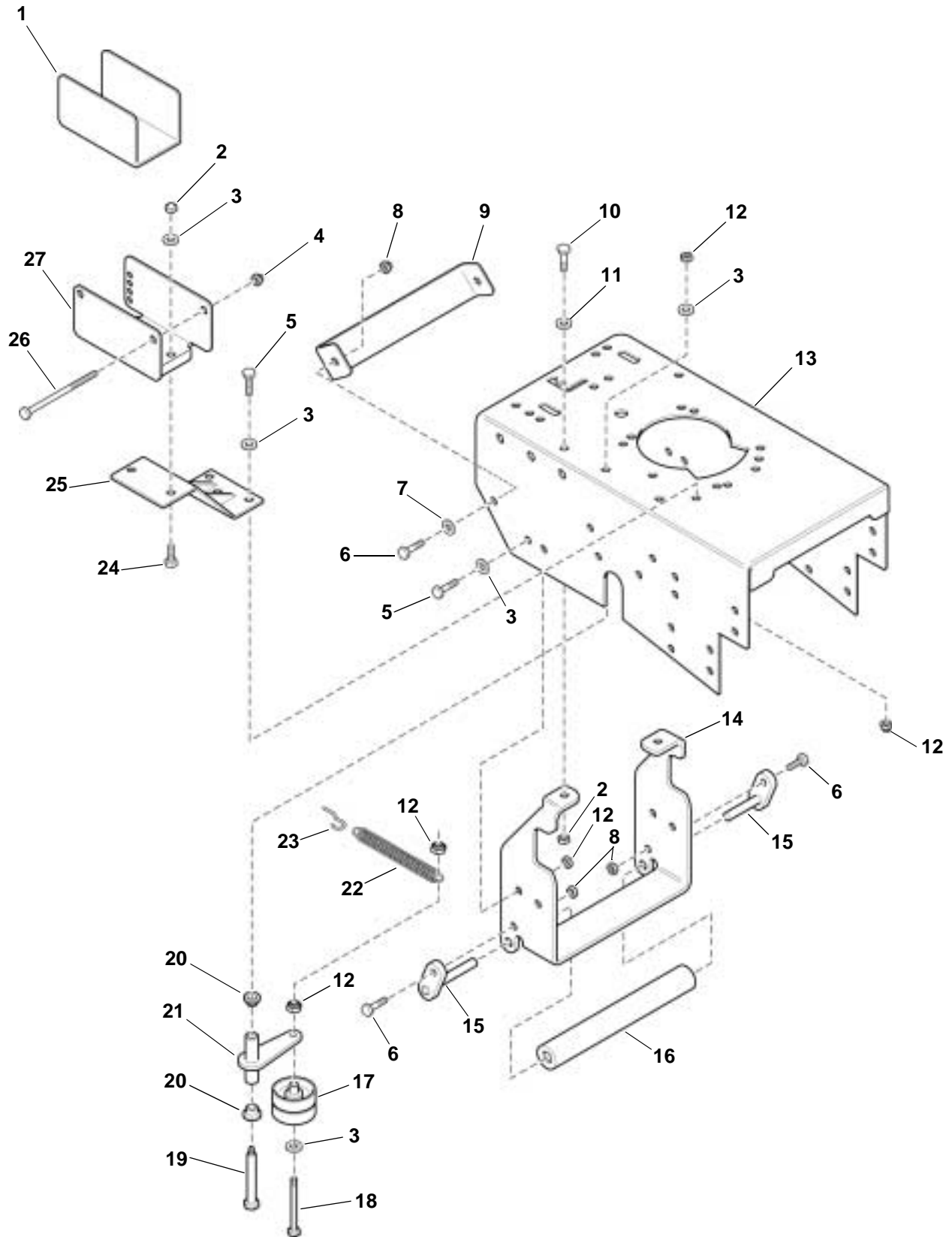
COPYRIGHT© 2003
Deere & Co.

John Deere Worldwide Commercial and
Consumer Equipment Division

All rights reserved
Previous Editions
COPYRIGHT©

PC9315 - English

ENGINE/TRACTION DECK ASSEMBLY



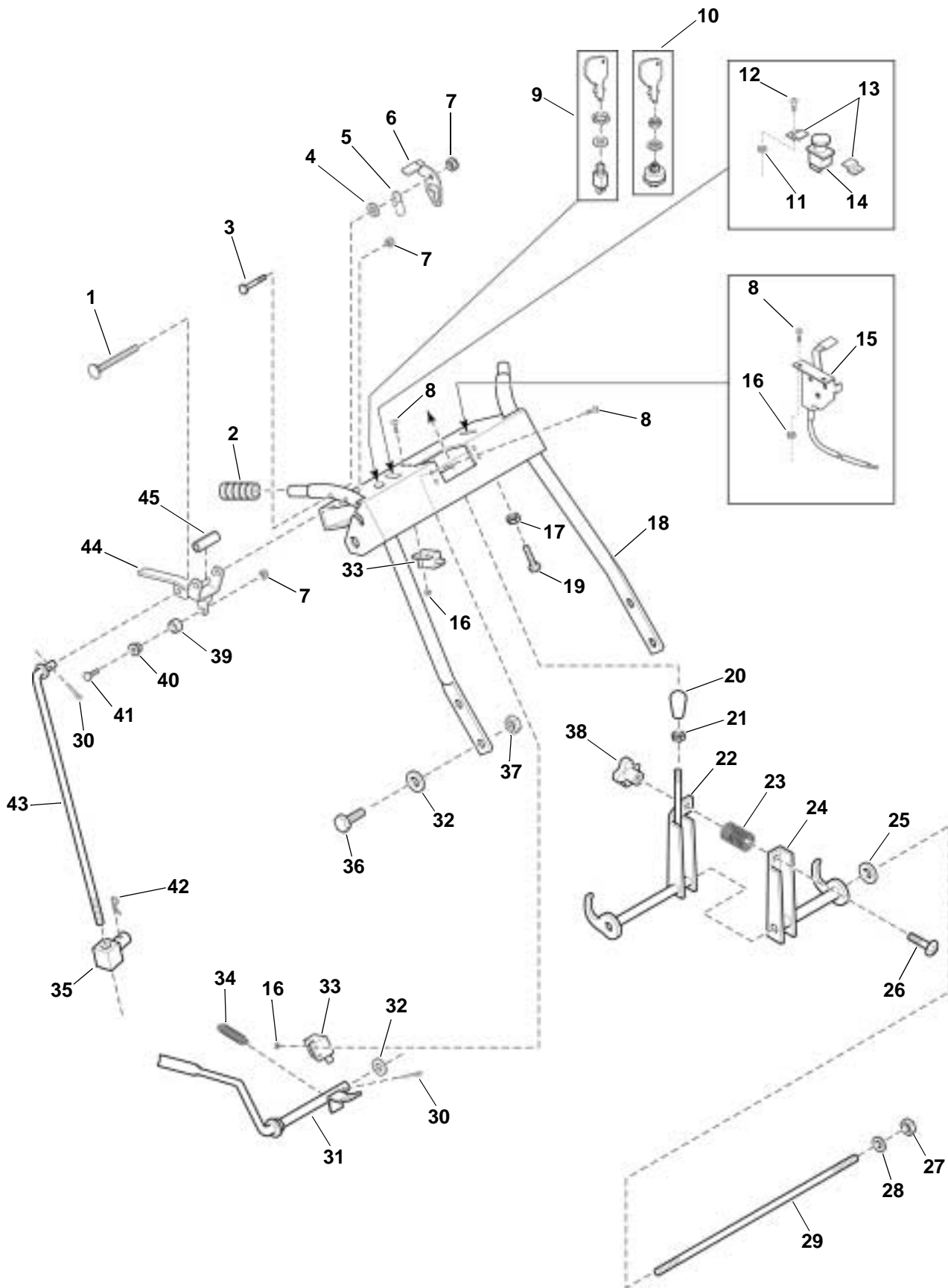
MX15743

ENGINE/TRACTION DECK ASSEMBLY

Ref. No.	Part No.	Description	Qty.
1	D28159	Strip, Rubber (Electric Start)	1
2	D14081	Nut, 5/16-18 Lock	4
3	D14246	Washer, 3/8 SAE Flat	9
4	D14203	Nut, 5/16-18 Center Lock (Electric Start)	2
5	D14013	Bolt, 3/8-16x1 HHCS	7
6	D14127	Bolt, 1/4-20x3/4 HHCS	4
7	D14211	Washer, 1/4 Flat	2
8	D14044	Nut, 1/4-20 Nyloc	4
9	D32302	Cover Plate	1
10	D14145	Bolt, 5/16-18x1 HHC	2
11	D24033	Washer, 5/16 SAE Flat	4
12	D24013	Nut, 3/8-16 PTHN	8
13	D35300	Deck, Engine/Traction	1
14	D32301	Bracket, Rear Roller	1
15	D32301	Pivot	2
16	D33302	Roller, Rear	1
17	D38164	Pulley, Tension Idler	1
18	D14018	Bolt, 3/8-16x2-1/4 HHCS	1
19	D24025	Bolt, Gage Wheel – Special	1
20	D18013	Bushing	2
21	D35301	Arm, Idler Weldment	1
22	D28023	Spring	1
23	D38165	Clip, Spring Retainer	1
24	D14144	Bolt, 5/16-18x3/4 HHCS	3
25	D35309	Stand, Battery Weldment (Electric Start)	1
26	D14158	Bolt, 5/6-18x6 HHCS (Electric Start)	2
27	D32309	Tray, Battery (Electric Start)	1

NOTES

TOP HANDLES AND CONTROL ASSEMBLY

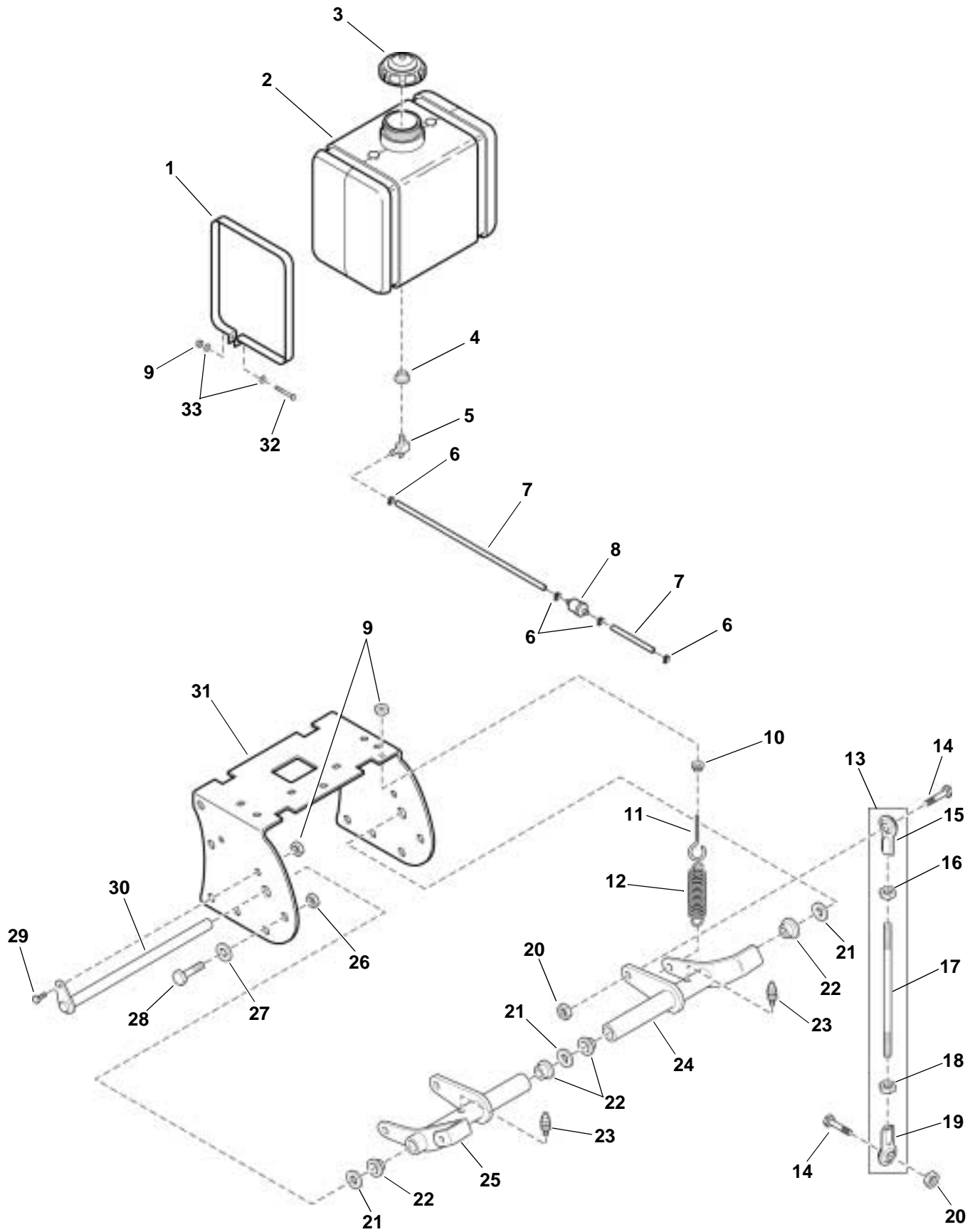


MX15745

TOP HANDLES AND CONTROL ASSEMBLY

Ref. No.	Part No.	Description	Qty.
1	D14235	Bolt, 5/16-18x2-1/2 Carriage	2
2	D38080	Tube, Grip Handle	2
3	D14150	Screw, 5/16-18x2-1/4 HHC	2
4	D33030	Spacer, 0.75x0.328x0.20	2
5	D38093	Spring, Torsion RH	1
5	D38094	Spring, Torsion LH	1
6	D32353	Latch, RH	1
6	D32354	Latch, LH	1
7	D14081	Nut, 5/16-18 Nylon Hex	6
8	D24020	Bolt, 10-24x1/2 PPHF	6
9	D18090	Key Switch, Recoil Start	1
10	D18091	Key Switch, Electric Start	1
11	D24021	Nut, 8-32 Nyloc	4
12	D24020	Bolt, 8-32x1/2 PPHS	2
13	D12106	Retainer Tab, PTO Switch	2
14	D38005	Switch, Blade Clutch	1
15	D38028	Control Assembly, Throttle Forward/Choke	1
16	D14124	Nut, 10-24 Nyloc	6
17	D24007	Nut, 1/4-20 Hex	2
18	D35065	Weldment, Handle	1
19	D14132	Screw, 1/4-20x1-3/4 HHCS	2
20	D28180	Knob, Speed Control	1
21	D14112	Nut, 1/2-13 Hex	1
22	D35050	Lever, RH Speed Control	1
23	D38095	Spring, Compression	1
24	D35049	Lever, LH Speed Control	1
25	D38077	Washer, Friction	2
26	D14234	Bolt, 3/8-16x2-1/2 CHCS	1
27	D14045	Nut, 1/2-13	2
28	D14004	Washer, 1/2 SAE Flat Stainless	2
29	D33032	Shaft, Pivot	1
30	D14107	Pin, Cotter 3/32x1	4
31	D35066	Bail, OPC RH	1
31	D35067	Bail, OPC LH	1
32	D14246	Washer, 3/8 SAE	4
33	D38085	Switch, Plunger	3
34	D18140	Spring	2
35	D33002	Swivel, Adjuster	2
36	D14013	Screw, 3/8-16x1 HHC	4
37	D24013	Nut, 3/8-16 Cone Loc	4
38	D18046	Knob, Drift Control	1
39	D38097	Bearing, Needle	2
40	D33033	Bearing, Insert	2
41	D14147	Screw, 5/16-18x1-1/2 HHC	2
42	D14006	Pin, Spring Locking	2
43	D35069	Rod, Control	2
44	D35323	Lever, PG RH Traction	1
44	D35324	Lever, PG LH Traction	1
45	D14232	Pin, 1/2x1-1/2 Roll	2

LOWER CONTROL LINKAGE, TOP HANDLE AND FUEL TANK SUPPORT



MX15744

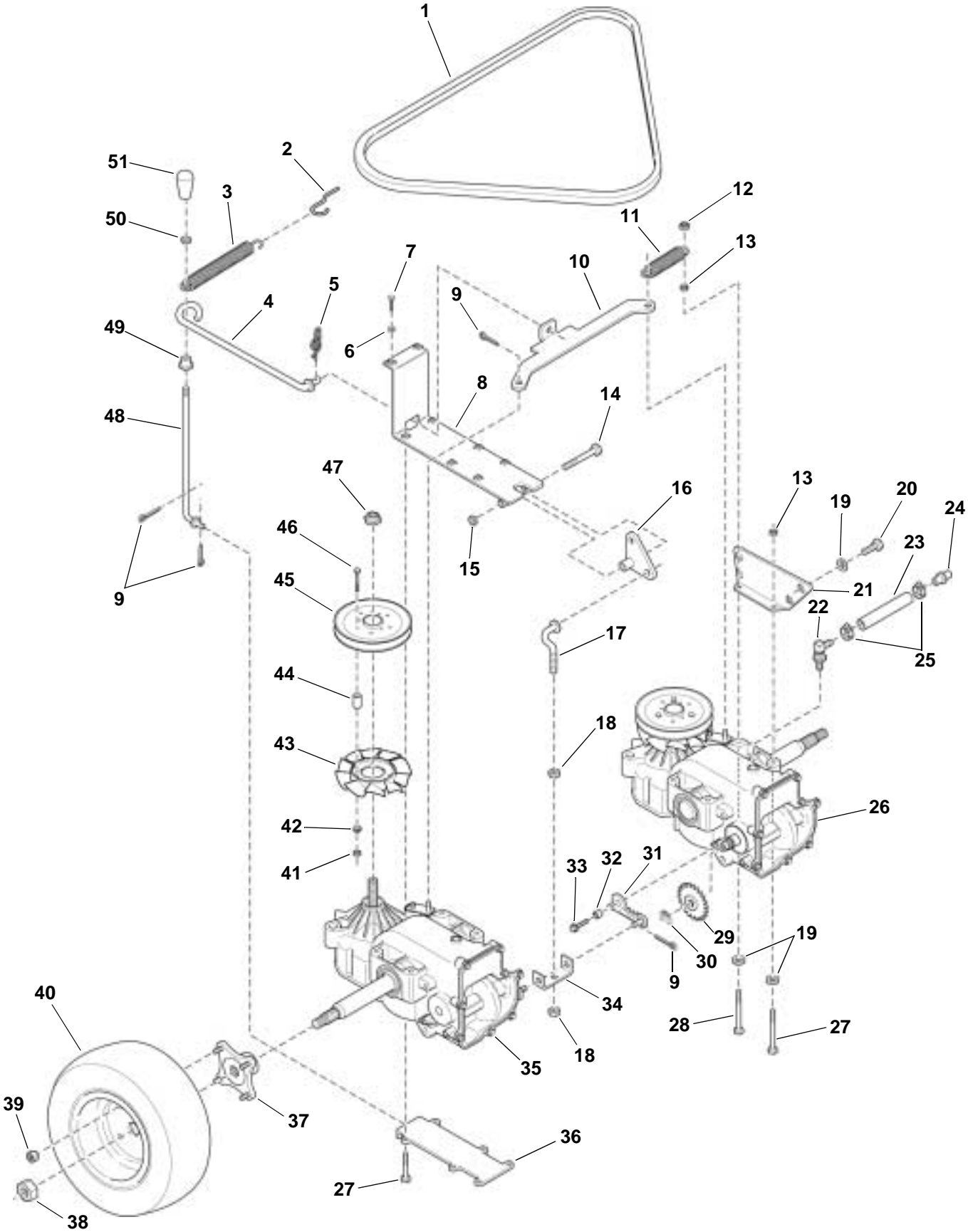
LOWER CONTROL LINKAGE, TOP HANDLE AND FUEL TANK SUPPORT

Ref. No.	Part No.	Description	Qty.
1	D32024	Strap, Fuel Tank	2
2	D38036	Fuel Tank	1
3	D18097	Cap, Fuel Tank	1
4	D18144	Grommet, Fuel Pick-Up	1
5	D18098	Valve, Fuel Shut-Off	1
6	D14103	Clamp, Fuel Line Hose	4
* 7	M88753	Hose, SAE J30R7	1
8	D38076	Filter, Fuel	1
9	D14044	Nut, 1/4-20 Nyloc	5
10	D14276	Nut, 1/4-20 Serrated Flange	2
11	D14285	Bolt, 1/4-20x2-1/2 Eye	2
12	D18073	Spring	2
13	D36020	Linkage Assembly	2
14	D14145	Bolt, 5/16-18x1 HHCS	4
15	D38158	Alignaball, 5/16 LH-Thread	2
16	D14287	Nut, 5/16-24 LH-Thread Jam	2
17	D33071	Knob, Lower Adjustment Link	2
18	D14209	Nut, 5/16-24 Hex	2
19	D38157	Alignaball, 5/16 RH-Thread	2
20	D14203	Nut, 5/16-18 Center Lock	4
21	D14248	Washer, Flat	3
22	D18013	Bushing	4
23	D18058	Fitting, Grease Zerk	2
24	D35302	Arm, Lower Control LH	1
25	D35303	Arm, Lower Control RH	1
26	D14010	Nut, 3/8-16 Cone Loc	6
27	D14246	Washer, 3/8 SAE	6
28	D14013	Screw, 3/8-16x1	6
29	D14127	Screw, 1/4-20x3/4 HHC	1
30	D35319	Retainer, Control Arm	1
31	D32307	Bracket, Tank Mount	1
32	D14133	Screw, 1/4-20x2 HHC	1
33	D14211	Washer, 1/4 Flat	4

* **NOTE:** Fuel line hose is sold in 10' bulk lengths – P/N M88753. Cut to length for service as needed.

NOTES

TRANSAXLES, PARK BRAKE AND CONTROLS



TRANSAXLES, PARK BRAKE AND CONTROLS

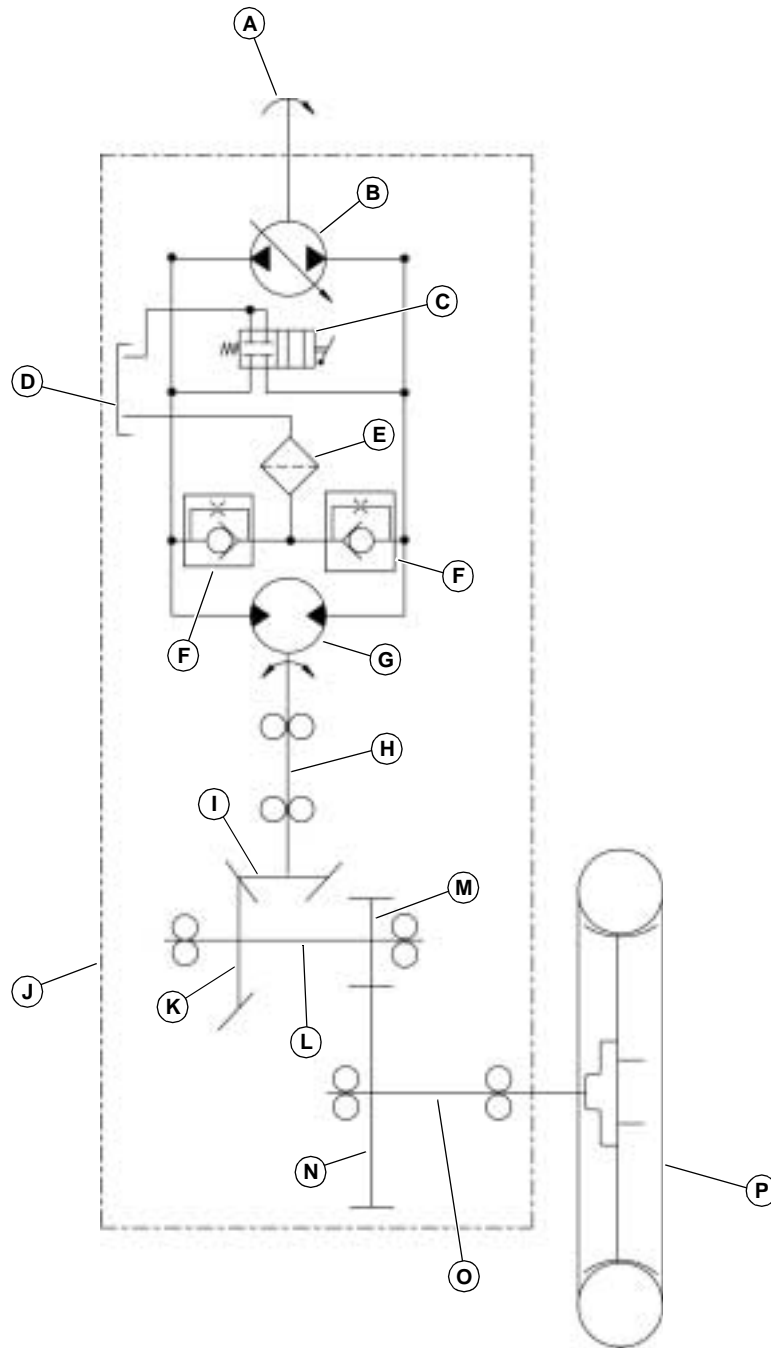
Ref. No.	Part No.	Description	Qty.
1	D18388	Belt, Transaxle Drive	1
2	D38165	Clip, Spring Retainer	1
3	D38135	Spring	1
4	D33068	Brake Control	1
5	D38165	Clip, Wire Lock	1
6	D14114	Washer, 5/16 SAE Flat	6
7	D14145	Screw, 5/16-18x1 HHC	4
8	D35308	Bracket, Stabilizer Weldment	1
9	D14107	Pin, Cotter 3/32x1	5
10	D32325	Bar, Bypass Connector	1
11	D18140	Spring	1
12	D14016	Nut, 5/16-18 Nyloc	1
13	D14205	Nut, 5/16-18 PTFHN	5
14	D14155	Screw, 5/16-18x3-1/2 HHC	1
15	D14203	Nut, 5/16-18 Center Lock	7
16	D35307	Crank, Brake Bell	1
17	D33069	Link, Brake Adjustment	1
18	D14209	Nut, 5/16-24	2
19	D14246	Washer, 3/8 SAE Flat	8
20	D14013	Screw, 3/8-16x1 HHC	8
21	D35318	Mount, Transaxle Weldment	2
22	D24028	Fitting	2
23	TY22503*	Oil Hose, 3/8x4-1/4 Vent	2
24	D38186	Vent	2
25	D18379	Clamp, Hose	4
26	D38154**	Transaxle Assembly, Right (HG 324-2400R)	1
27	D14151	Screw, 5/16-18x2-1/2 HHC	9
28	D14153	Screw, 5/16-18x3 HHC	1
29	D38177	Brake Rotor	1†
30	D38165	Clip	1†
31	D38178	Brake Pawl	1†
32	D38179	Bushing	1†
33	D38180	Bolt, Brake Pawl	1†
34	D32326	Yoke, Brake Pawl	1
35	D38153**	Transaxle Assembly, Left (HG 324-2400L)	1
36	D32314	Bracket, Mounting Tie	1
37	D38181	Hub with Studs	1†
38	D38182	Nut, 3/4-16	1†
39	D14192	Nut, 1/2-20 Lug	8
40	D38188	Tire Assembly, 16x650-9	2
41	D38175	Nut	3†
42	D38174	Washer, Lock	3†
43	D38170	Fan	1†
44	D38172	Spacer	3†
45	D38171	Pulley, Input	1†
46	D38173	Bolt	3†
47	D38176	Nut	1†
48	D33070	Handle, Brake/Bypass Control	1
49	D33306	Bushing, Brake Step	1
50	D14255	Nut, 3/8-16 Hex Jam	1
51	D38183	Knob, Control Handle	1

* **NOTE 1:** Low pressure vent hose length is for installation reference only – sold in bulk under P/N TY22503.

** **NOTE 2:** The transaxle assembly includes items 29 through 33, 37, 38 and 41 through 47.

† **NOTE 3:** Quantity listed is per each transaxle.

ISO HYDRAULIC SCHEMATIC



NOTE: Right transaxle shown.

A - Input Shaft
B - Pump Block
C - Bypass Valve
D - Reservoir/Transaxle Case
E - Oil Filter (not serviceable)

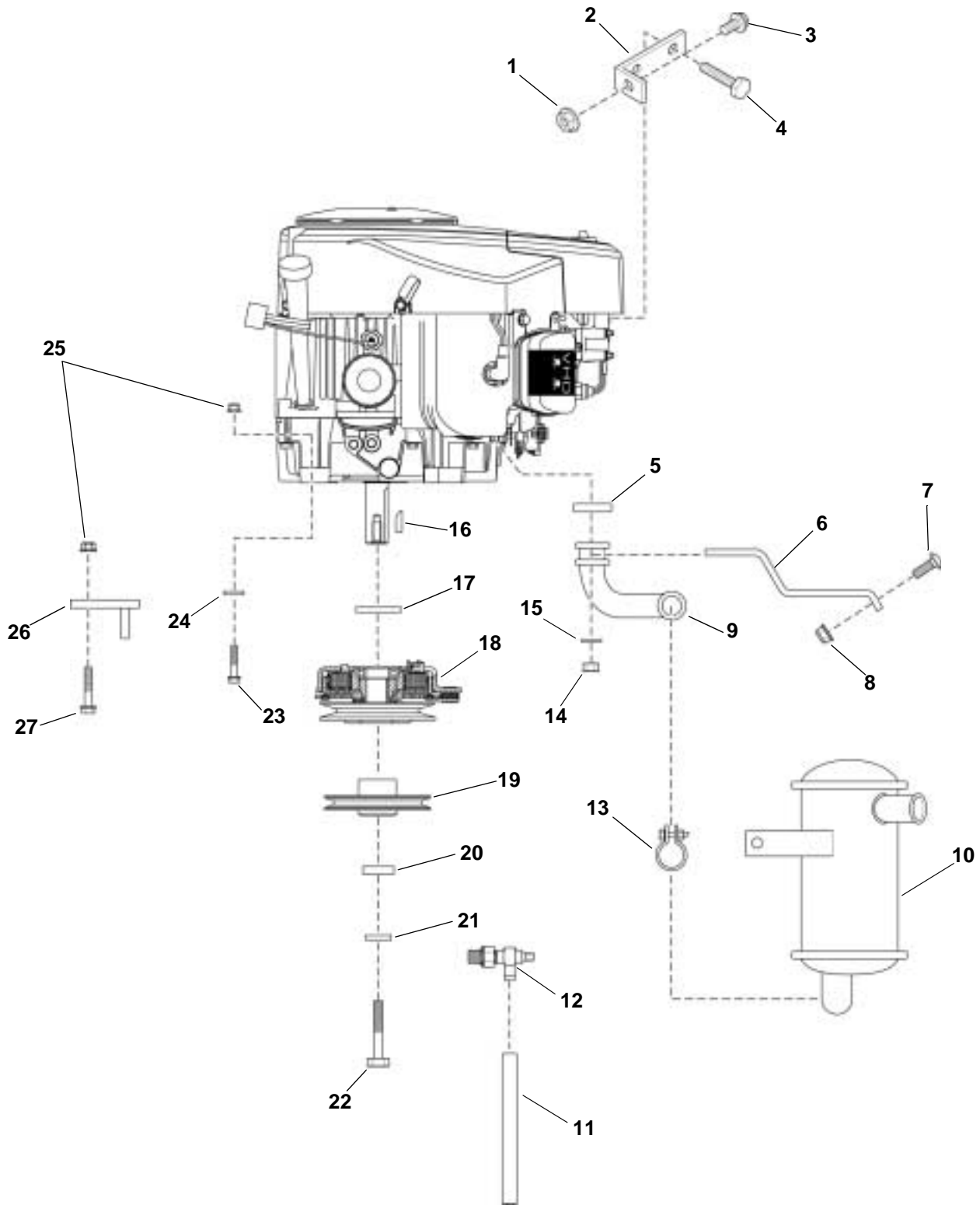
F - Check Valve – Forward and Reverse
G - Motor Block
H - Motor Output Shaft
I - Transfer Pinion
J - Transaxle Housing

K - Transfer Gear
L - Transfer Shaft
M - Final Drive Reduction Pinion
N - Final Drive Gear
O - Output Shaft
P - Drive Wheel

MX15754

NOTES

ENGINE AND RELATED COMPONENTS



MX15750

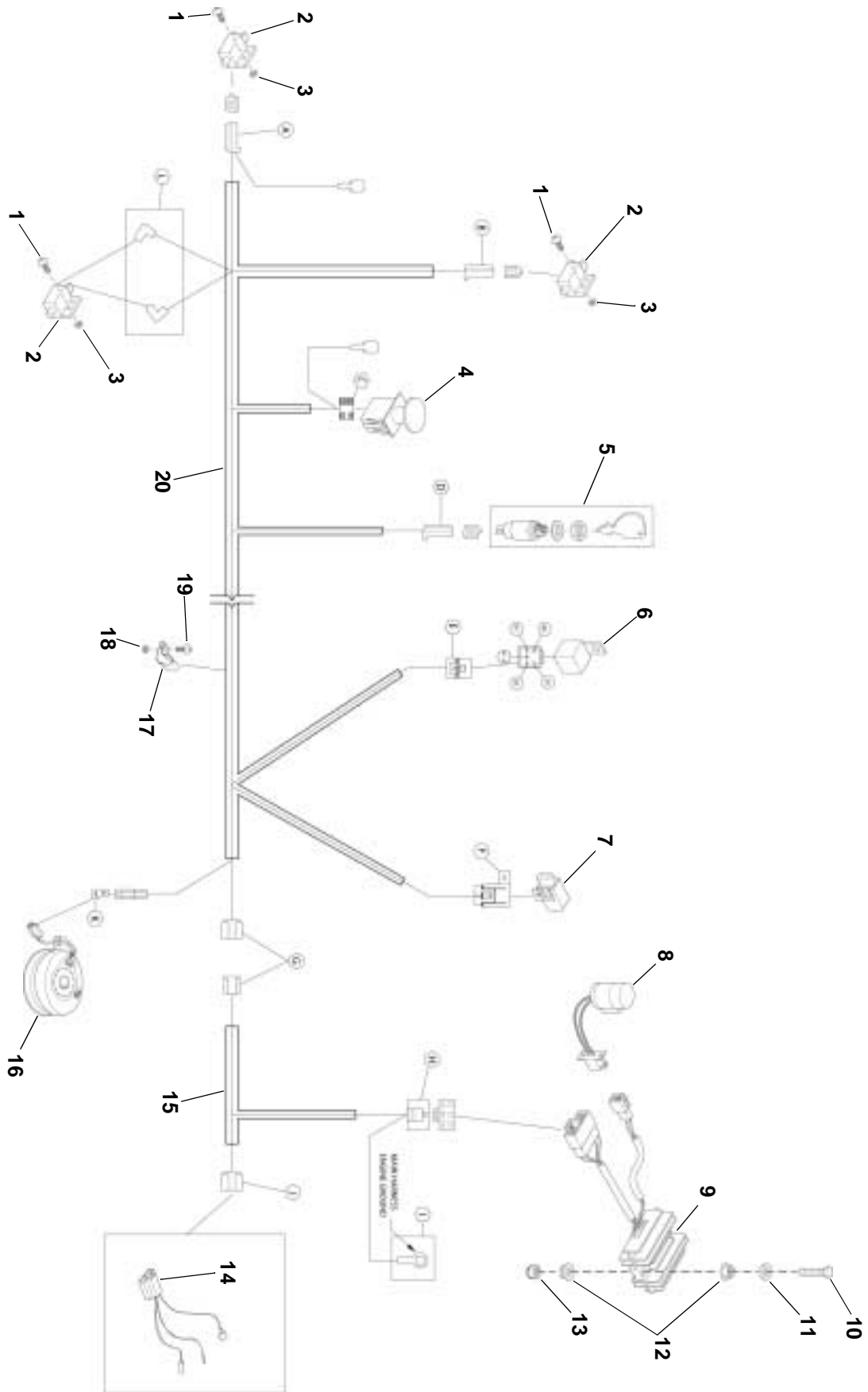
ENGINE AND RELATED COMPONENTS

Ref. No.	Part No.	Description	Qty.
	D18424	Engine, 15hp Recoil / KAWASAKI (FH451-AS14)	
	D28114	Engine, 17hp Recoil / KAWASAKI (FH500-BS20)	
	D18341	Engine, 17hp Electric Start / KAWASAKI (FH500-AS21)	
* 1		Nut, M8x1.25	1
* 2		Bracket, Muffler	1
* 3		Bolt, M8x1.25x20 PTFHCS	1
* 4		Bolt, M6x1.0x15 PTFHCS	1
* 5		Exhaust Gasket 17hp	2
* 6		Shield, Muffler	1
* 7		Screw,	1
* 8		Nut,	1
* 9		Pipe, Exhaust	1
* 10		Muffler	1
11	M76926	Hose, Oil Drain	1
* 12		Fitting, Oil Drain	1
* 13		Clamp, Muffler	1
* 14		Nut, M8x1.25 HHN	4
* 15		Washer, 8x14x2 Split Lock	4
16	D18145	Key, Shaft	1
17	D14245	Bushing, 1" I.D., 18 Gauge Machinery	1
18	D38155	Clutch, Electric PTO	1
19	D38156	Pulley, Cast Type	1
20	D18056	Spacer	1
21	D14208	Washer, 7/16 Split Loc	1
22	D14286	Bolt, 7/16-20x2	1
23	D14147	Bolt, 5/16-18x1-1/2 HHCS	5
24	D24033	Washer, 5/16 Flat	5
25	D14016	Nut, 5/16-18 Nyloc	7
26	D35321	Bracket, Clutch Anti-Rotation	1
27	D14148	Bolt, 5/16-18x1-3/4 HHCS	2

* **NOTE:** See authorized KAWASAKI servicing engine dealer for engine related service items. Always reference the engine model number when ordering parts.

NOTES

ELECTRICAL AND RELATED COMPONENTS – MANUAL START



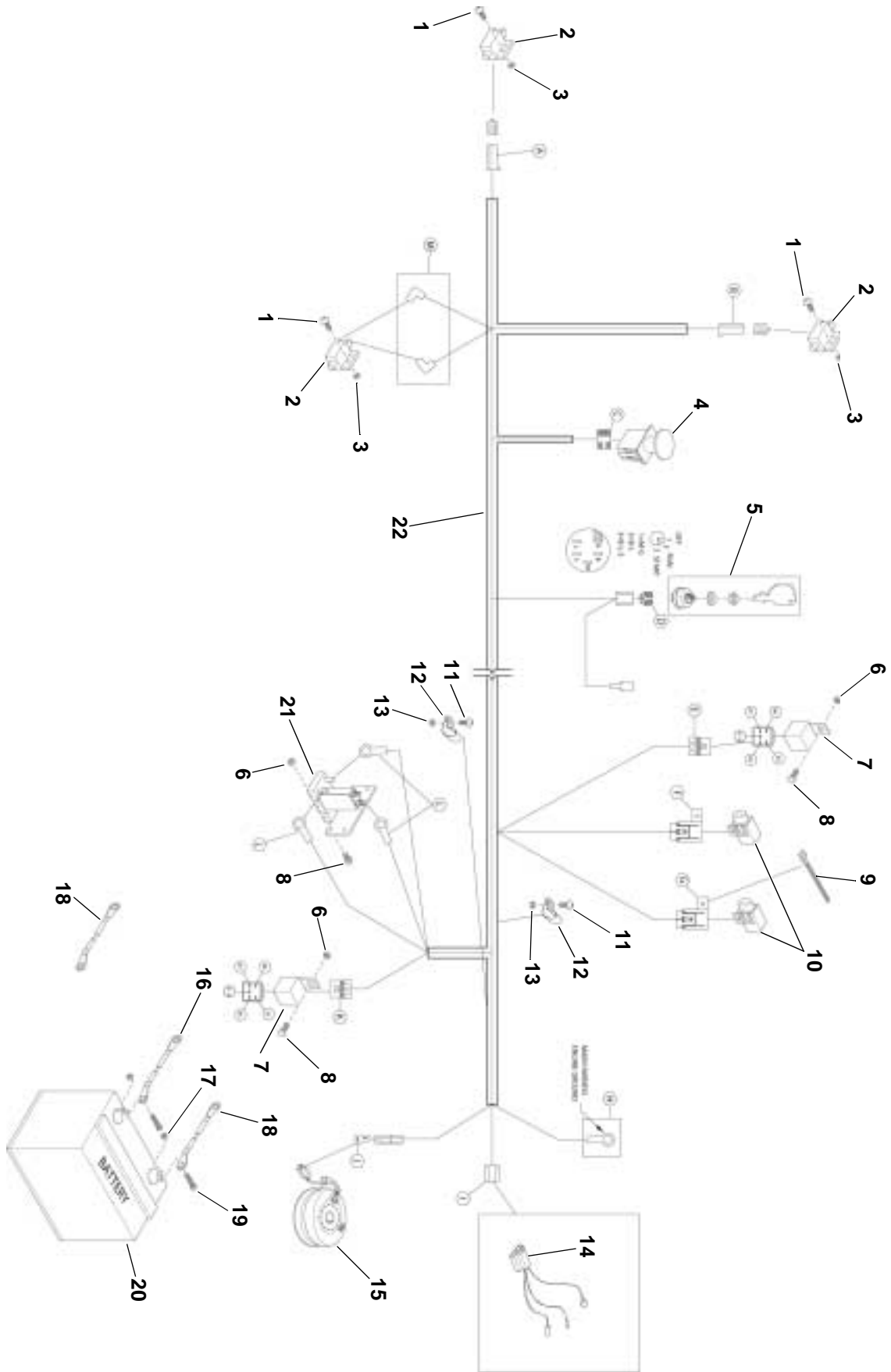
MX15749

ELECTRICAL AND RELATED COMPONENTS – MANUAL START

Ref. No.	Ref. Loc.	Part No.	Description	Qty.
1	A, B, L	D14233	Bolt, 10-24x3/4 PHCS	6
2	A, B, L	D38085	Switch, OPC	3
3	A, B, L	D14124	Nut, 10-24	6
4	C	D38005	Switch, Blade Clutch	1
5	D	D18090	Switch Assembly, Ignition	1
6	E	D18052	Relay	1
7	F	57M120	Fuse, 20 AMP	1
8	H	D38050	Capacitor	2
9	H	D38051	Regulator/Rectifier	1
10	H	D14132	Bolt, 1/4-20x1-3/4	1
11	H	D14211	Washer, 1/4 Flat	1
12	H	D14276	Nut, 1/4-20 Flanged	1
13	H	D14044	Nut, 1/4-20 Nyloc	2
14	J	D18416	Engine Pig Tail	1
15		D38127	Regulator/Rectifier Harness	1
16	K	D38155	Clutch, Electric PTO	1
17		D28082	R-Clip, Wiring	1
18		D14081	Nut, 5/16-18 Nyloc	1
19		D14113	Bolt, 5/16-18x3/4 Carriage	1
20		D38123	Main Chassis Harness	1

NOTES

ELECTRICAL AND RELATED COMPONENTS – ELECTRIC START



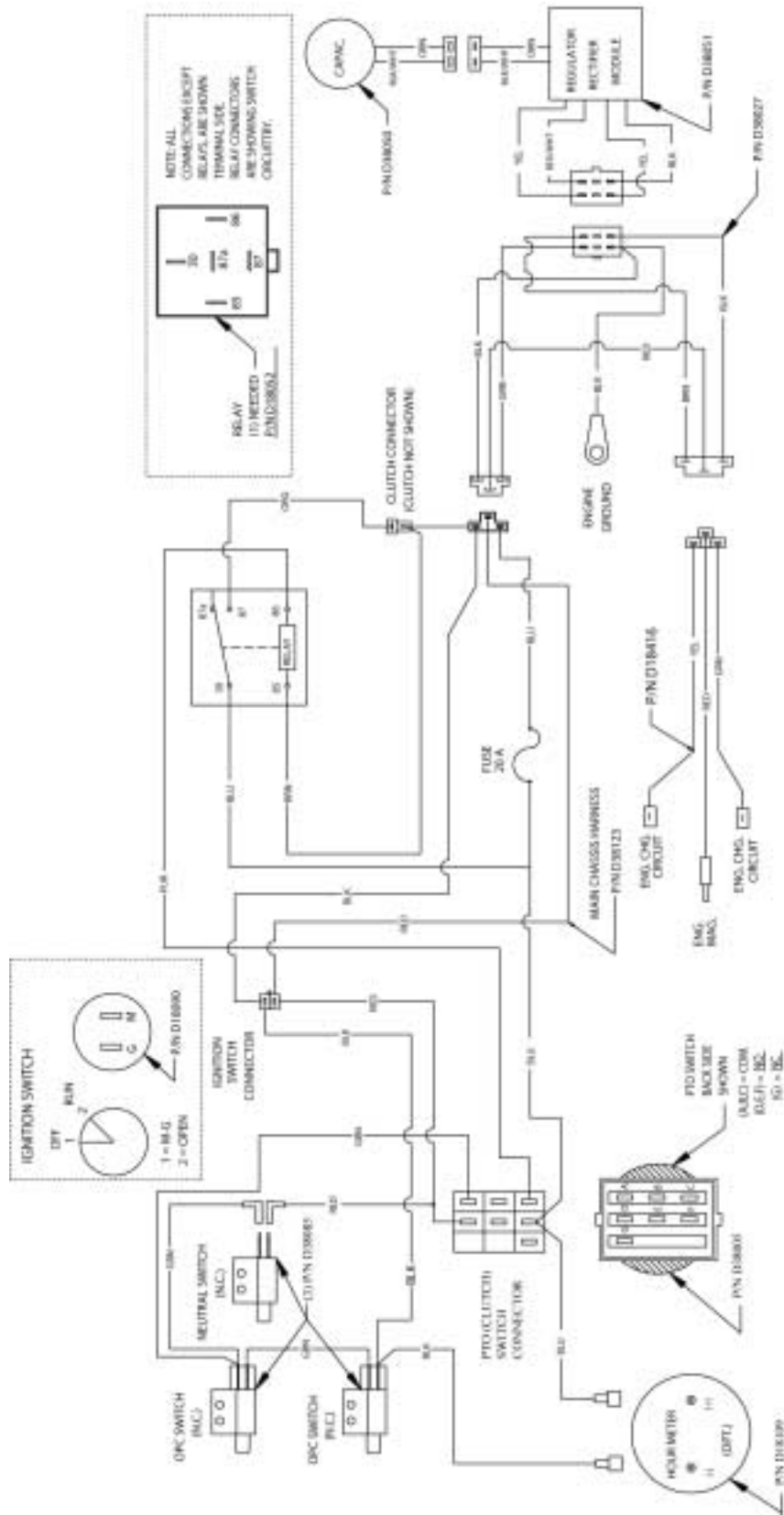
MX15748

ELECTRICAL AND RELATED COMPONENTS – ELECTRIC START

Ref. No.	Ref. Loc.	Part No.	Description	Qty.
1	A, B, M	D14233	Bolt, 10-24x3/4	6
2	A, B, M	D38085	Switch, OPC	3
3	A, B, M	D14124	Nut, 10-24	6
4	C	D38005	Switch, Blade Clutch	1
5	D	D18091	Switch Assembly, Ignition	1
6	E, K, L	D14044	Nut, 1/4-20 Nyloc	3
7	E, K	D18052	Relay	2
8	E, K, L	D14127	Screw, 1/4-20x3/4	3
9	F, G	D28160	Strap, Plastic Tie	2
10	F, G	57M120	Fuse, 20 AMP	2
11		D14113	Bolt, 5/16-18x3/4 Carriage	2
12		D28082	R-Clip, Wire	2
13		D14081	Nut, 5/16-18 Nyloc	2
14	I	D28134	Engine Pig Tail	1
15	J	D38155	Clutch, Electric PTO	1
16		D28119	Cable, Negative Battery w/Boot	1
17		D14205	Nut, 5/16-18 Flanged	2
18		D28118	Cable, Positive Battery w/Boot	2
19		D14145	Bolt, 5/16-18x1	2
20		TY25221	Battery	1
21	L	D28158	Starter Relay	1
22		D38189	Main Chassis Harness	1

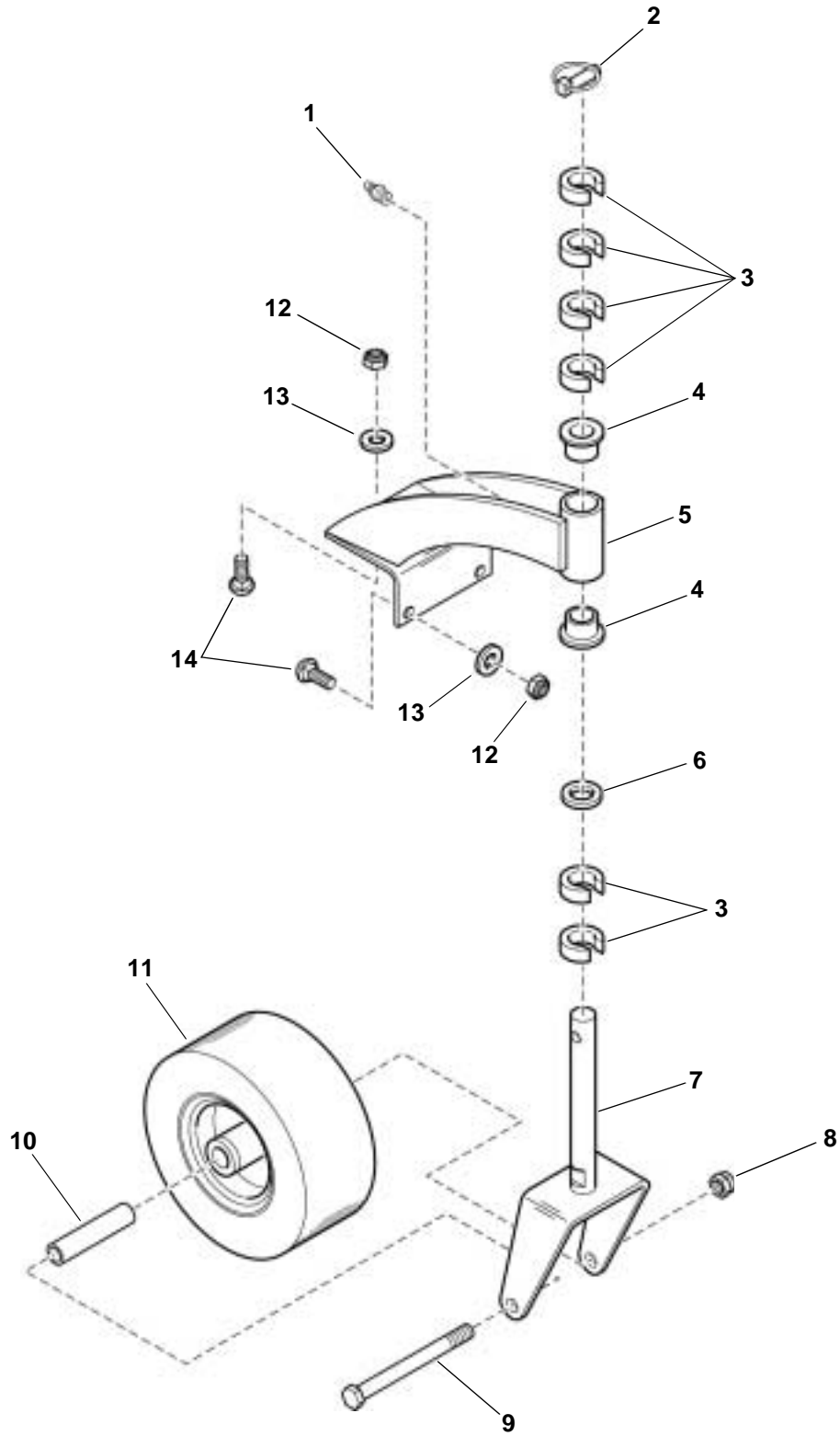
NOTES

MANUAL START LOGIC CHART



MX15753

FRONT CASTER ASSEMBLY



MX15740

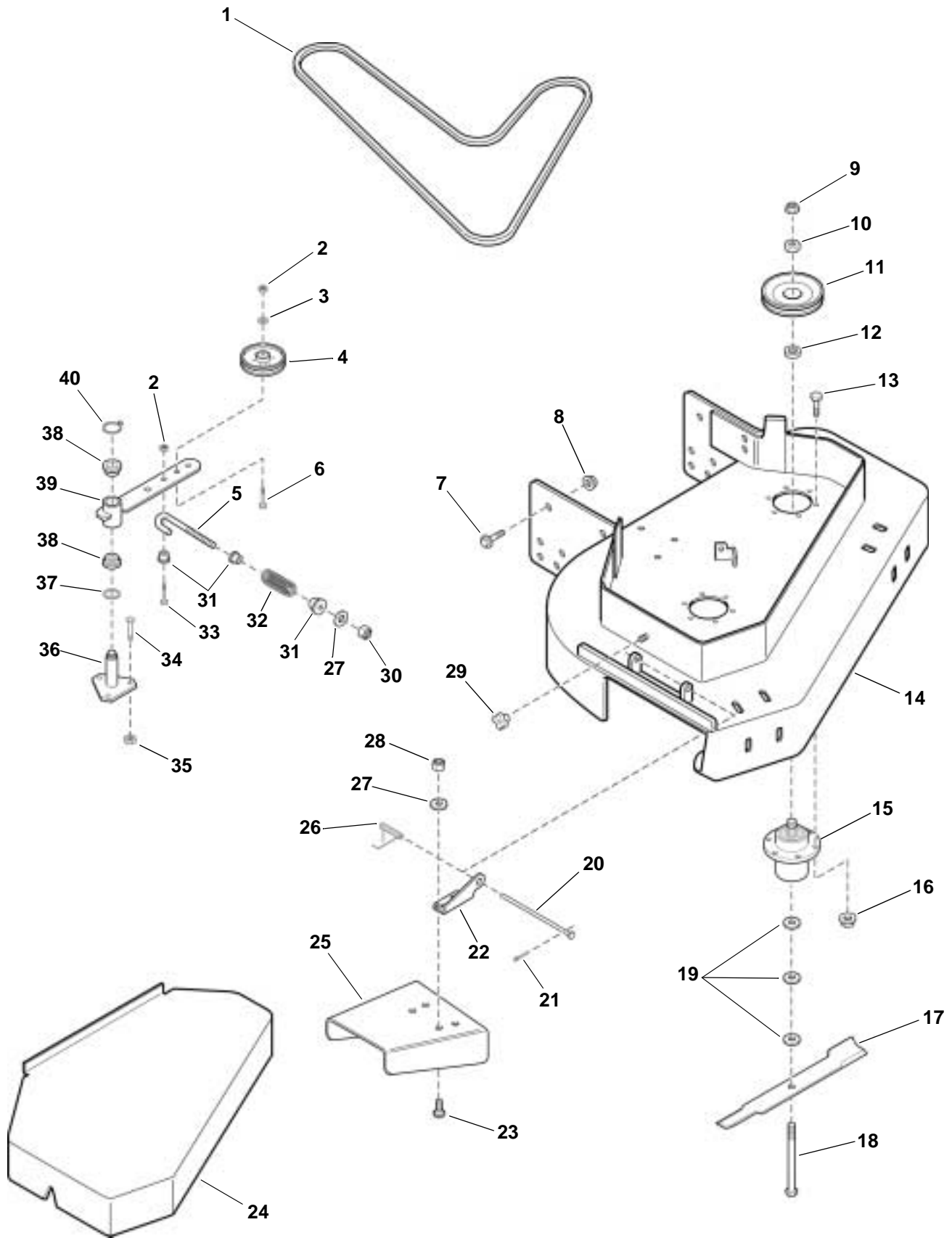
FRONT CASTER ASSEMBLY

Ref. No.	Part No.	Description	Qty.
1	D18058	Grease Zerk	1
2	D18057	Pin, Quick Lock	1
3	D18002	Spacer, 1/2" Slotted	6
4	D18076	Bushing, Caster	2
5	GDA10105	Bracket, Caster Weldment	1
6	D13008	Bushing	1
7	D15030	Yoke, Caster Weldment	1
8	D14045	Nut, 1/2-13	1
9	D14068	Bolt, 1/2-13x5-1/2 Caster	1
10	D13003	Sleeve, Caster Wheel Bearing	1
11	D38034	Wheel/Tire and Bearing Assembly, 9x3:50-4	1
12	D24013	Nut, 3/8-16 Cone Loc	4
13	D14246	Washer, 3/8 SAE Flat	4
14	D24011	Bolt, 3/8-16x1 Carriage	4

NOTE: One assembly shown – Two required for each vehicle.

NOTES

36" CUTTING DECK

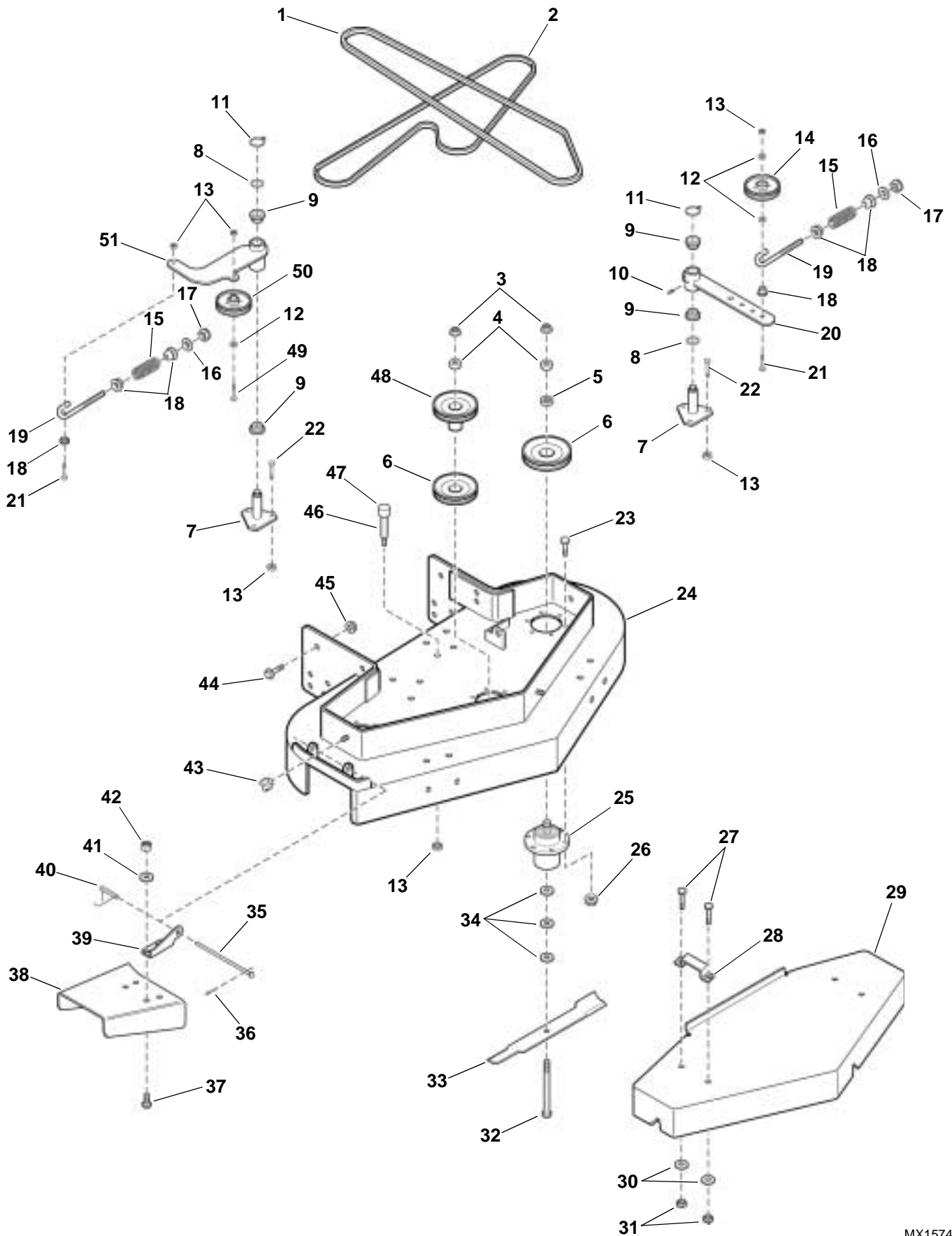


MX15742

36" CUTTING DECK

Ref. No.	Part No.	Description	Qty.
1	D38163	Belt	1
2	D24013	Locknut, 3/8-16	2
3	D14245	Washer	1
4	D18032	Pulley Idler	1
5	D13045	J-Hook	1
6	D14018	Bolt, 3/8-16x2-1/4 HHCS	1
7	D14110	Bolt, 1/2-13x1-1/4 HHCS	8
8	D14307	Nut, 1/2-13 Serrated Flange	8
9	D14282	Nut, 5/8-18 Blade Bolt	2
10	D13055	Nut, Pulley (Special)	2
11	GDA10111	Pulley	2
12	D13024	Spacer, Pulley	2
13	D14013	Screw, 3/8-16x1 HHC	12
14	D35305	Mower Deck, 36"	1
15	D18030	Spindle Assembly	2
16	D14009	Nut, 3/8-16 PTFHN	12
17	D18037	Blade, 18"	2
18	D14101	Bolt, Blade 5/8-18x7-3/4 HHCS	2
19	D18055	Spacer, Spindle Blade 1/4	6
20	D18060	Pin, Discharge Chute	1
21	D14107	Pin, Cotter 3/32x1	1
22	D12006	Hinge, Discharge Chute	2
23	D14113	Bolt, 5/16-18x3/4 Carriage	4
24	GDA10146	Hood Weldment	1
25	D32327	Chute, Discharge	1
26	D18077	Spring, Discharge Chute	1
27	D14246	Washer, 3/8 SAE Flat	5
28	D14205	Nut, 5/16-18 Nyloc	4
29	D18046	Knob, Female	2
30	D14010	Nut, 3/8-16 Nyloc	4
31	D33062	Spring Keeper	3
32	D38128	Spring	1
33	D14239	Bolt, 3/8-16x1-1/4	1
34	D14014	Screw, 3/8-16x1-1/4 HHC	3
35	D24013	Locknut, 3/8-16	3
36	D15027	Post, Idle Mounting	1
37	D14046	Washer	1
38	D18076	Bushing	2
39	D25044	Arm, Idler Weldment	1
40	D14104	Snap Ring	1

48" AND 52" CUTTING DECK



MX15741

48" AND 52" CUTTING DECK

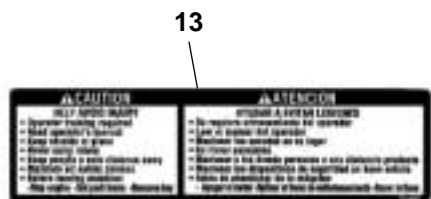
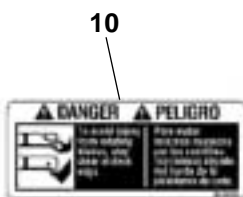
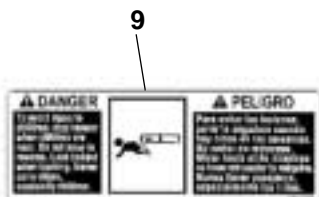
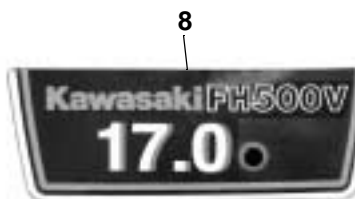
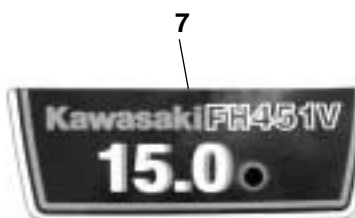
Ref. No.	Part No.	Description	Qty.
1	D38162	Belt, Engine-to-Blade, 52"	1
1	D18007	Belt, Engine-to-Blade, 48"	1
2	D38163	Belt, Blade-to-Blade, 52"	1
2	D38131	Belt, Blade-to-Blade, 48"	1
3	D14282	Nut, 5/8-18 Blade Bolt	3
4	D13055	Nut, Pulley (Special)	3
5	D13024	Spacer, Pulley	2
6	D18083	Pulley, Puller Narrow Spline	3
7	D15027	Post, Idle Mounting	2
8	D14046	Washer	3
9	D18076	Bushing	4
10	D18058	Grease Zerk	2
11	D14104	Snap Ring	2
12	D14245	Washer	2
13	D24013	Locknut, 3/8-16	10
14	D18031	Pulley, Center-to-Right Blade Idler	1
15	D38128	Spring	2
16	D14246	Washer, 3/8 SAE Flat	2
17	D14010	Nut, 3/8-16 Nyloc	4
18	D33062	Spring Keeper	6
19	D23040	J-Hook	2
20	D25044	Idler Arm, Single Idler	1
21	D14018	Bolt, 3/8-16x2-1/4 HHCS	1
22	D14014	Screw, 3/8-16x1-1/4 HHC	7
23	D14013	Screw, 3/8-16x1 HHC	18
24	D35322	Mower Deck, 48"	1
24	D35315	Mower Deck, 52"	1
25	D18030	Spindle Assembly	3
26	D14009	Nut, 3/8-16 PTFHN	18
27	D14127	Screw, 1/4-20x3/4 HHCS	4
28	D18133	Handle	2
29	GDA10145	Hood Weldment, 48"	1
29	GDA10144	Hood Weldment, 52"	1
30	D14211	Washer, 1/4 Flat	4
31	D14044	Nut, 1/4-20 Nyloc	4
32	D14101	Bolt, Blade 5/8-18x7-3/4 HHCS	3
33	D18086	Blade, 48" Deck 16.5"	3
33	D18037	Blade, 52" Deck 18"	3
34	D18055	Spacer, Spindle Blade 1/4	9
35	D18060	Pin, Discharge Chute	1
36	D14107	Pin, Cotter 3/32x1	1
37	D14113	Bolt, 5/16-18x3/4 Carriage	4
38	D12007	Chute, Discharge	1
39	D12006	Hinge, Discharge Chute	2
40	D8077	Spring, Discharge Chute	1
41	D14114	Washer, 5/16 SAE Flat	4
42	D14205	Nut, 5/16-18 Nyloc	4
43	D18046	Knob, Female	3
44	D14110	Bolt, 1/2-13x1-1/4 HHCS	8
45	D14307	Nut, 1/2-13 Serrated Flange	8
46	GDU10302	Stand-Off, Hood	1
47	AH154566	Bumper, Rubber	1
48	GDA10114	Pulley, 48"	1
48	GDA10111	Pulley, 52"	1
49	D14016	Bolt, 3/8-16x1-3/4	1
50	D18314	Pulley, Idler	1
51	D35394	Idler Arm, Blade-to-Blade	1

DECALS

1
36

2
48

3
52



DECALS

Ref. No.	Part No.	Description	Qty.
1	D38039	36"	1
2	GDU10267	48"	1
3	GDU10268	52"	1
4	D38184	Engine, Bypass, Park Brake	1
5	D18149	Console	1
6	D18021	Throttle Control, Console	1
7	TCU18143	15hp	1
8	TCU17402	17hp	1
9	TCU51336	Danger, Child	1
10	M131739	Danger, Blade Contact	2
11	M137637	Discharge	1
12	TCU51051	Danger, Rotating Belts	1
13	TCU14840	General Caution	1
14	D18027	Great Dane Logo	1
15	M131748	Danger, Thrown Objects	1
16	D38115	Great Dane (Small)	1
17	D38116	Scamper (Small)	1

NOTES

NOTES
