

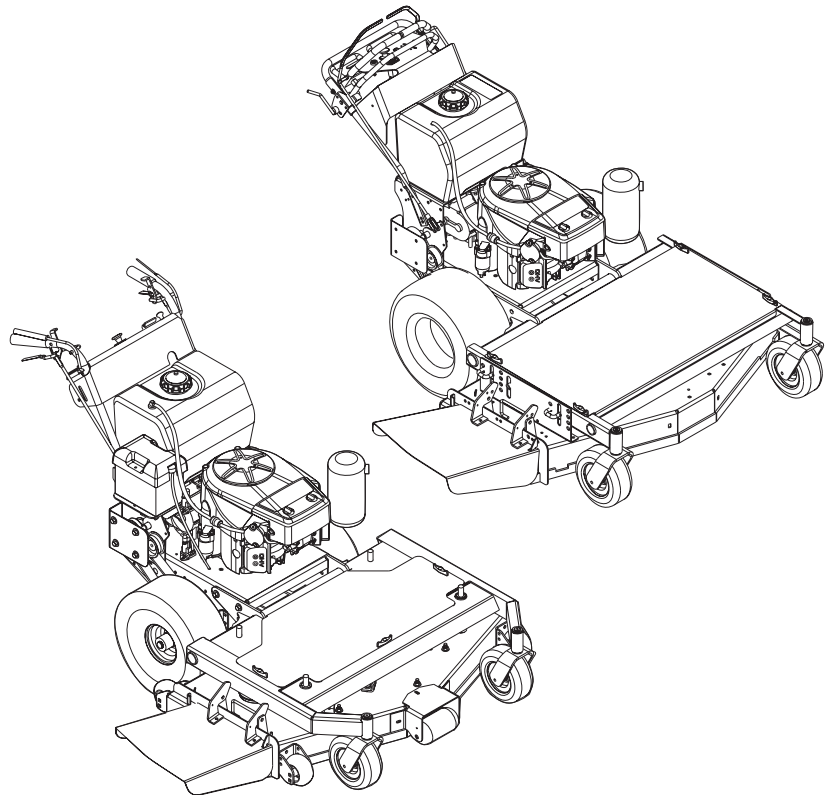


Gear Pro Series

Parts Manual

Models

- 988100 - Recoil
- 988101 - Recoil
- 988102 - Recoil
- 988103 - Recoil
- 988104 - Electric
- 988110 - Recoil
- 988112 - Recoil
- 988114 - Recoil
- 988115 - Recoil
- 988118 - Recoil
- 988119 - Recoil
- 988311 - Recoil
- 988313 - Recoil



THE MANUAL

Before you operate your unit, carefully and completely read manuals supplied with the unit. The contents will provide you with an understanding of safety instructions and controls during normal operation and maintenance.

For your safety and the safety of others always read, understand, and follow all DANGER, WARNING, and CAUTION messages found in manuals and on safety decals.

Hardware descriptions are given in decimals.

Decimals to Fractions			
.063	1/16	.563	9/16
.125	1/8	.625	5/8
.188	3/16	.688	11/16
.250	1/4	.750	3/4
.313	5/16	.813	13/16
.375	3/8	.875	7/8
.438	7/16	.938	15/16
.500	1/2	1.00	1

SERVICE AND REPLACEMENT PARTS

When ordering replacement parts or making service inquiries, know the Model and Serial numbers of your unit and engine.

Numbers are located on the product registration card in the unit literature package. They are printed on a serial number label, located on the frame of your unit.

- Record Unit Model and Serial numbers here:

- Record Engine Model and Serial numbers here:

UNAUTHORIZED REPLACEMENT PARTS

Use only Gravely replacement parts. The replacement of any part on this vehicle with anything other than a Gravely authorized replacement part may adversely affect the performance, durability, or safety of this unit and may void the warranty. Gravely disclaims liability for any claims or damages, whether warranty, property damage, personal injury or death arising out of the use of unauthorized replacement parts.

PRODUCT REGISTRATION

The Gravely dealer must register the product at the time of purchase. Registering the product will help the company process warranty claims or contact you with the latest service information. All claims meeting requirements during the limited warranty period will be honored, whether or not the product registration card is returned. Keep a proof of purchase if you do not register your unit.

Customer Note: If Dealer does not register your product, please fill out, sign and return the product registration card to Gravely.

YOUR SATISFACTION IS IMPORTANT

Questions? Please follow these helpful steps:

1. Refer to the manuals supplied with your unit.
They will guide you through safe and proper operation and maintenance.
They contain specifications on your unit.
If your questions are not answered in these manuals, go to step number two.
2. Contact Your Dealer.
Our dealers will be happy to supply any service or advice required to keep your unit operating at peak efficiency.
A factory trained staff is available to support your equipment needs. They stock genuine Gravely parts and lubricants manufactured with the same precision and skill as the original.
If your questions are not resolved by the support staff, ask for the manager or owner.
When contacting your Dealer supply your model and serial numbers.

TO SPEED PARTS ORDERING:

1. Know the model and serial numbers of your unit.
2. Know the part number required.
3. Know the quantity required.
4. Know the part description.

MODELS

Domestic

Model 988100

13 HP Kawasaki, Recoil
36" Fixed Mower Deck
Serial No. 000101 and up

Model 988101

15 HP Kawasaki, Recoil
36" Fixed Mower Deck
Serial No. 000101 and up

Model 988102

15 HP Kawasaki, Recoil
48" Fixed Mower Deck
Serial No. 000101 and up

Model 988103

15 HP Kawasaki, Recoil
48" Float Mower Deck
Serial No. 000101 and up

Model 988104

17 HP Kawasaki, Electric
48" Float Mower Deck
Serial No. 000101 and up

Model 988110

13 HP Kawasaki, Recoil
32" Fixed Mower Deck
Serial No. 000101 and up

Model 988112

15 HP Kawasaki, Recoil
44" Fixed Mower Deck
Serial No. 000101 and up

Model 988114

13 HP Kawasaki, Recoil, Pro Steer
36" Fixed Mower Deck
Serial No. 000101 and up

Model 988115

15 HP Kawasaki, Recoil, Pro Steer
48" Fixed Mower Deck
Serial No. 000101 and up

Model 988118

13 HP Kawasaki, Recoil, Pro Steer
32" Fixed Mower Deck
Serial No. 000101 and up

Model 988119

15 HP Kawasaki, Recoil, Pro Steer
44" Fixed Mower Deck
Serial No. 000101 and up

International

Model 988311

13 HP Kawasaki, Recoil, CE
32" Fixed Mower Deck
Serial No. 000101 and up

Model 988313

13 HP Kawasaki, Recoil, Pro Steer, CE
32" Fixed Mower Deck
Serial No. 000101 and up

TABLE OF CONTENTS

DECALS

Decals	4
--------------	---

MAIN FRAME

Frame and Handlebars	6
Hand Controls - Pistol Grips	8
Wheels	9

ENGINE & DRIVE

Engine, Fuel and Exhaust System	10
Traction Controls	12
Gear Selector	14
Transmission	16

ELECTRICAL

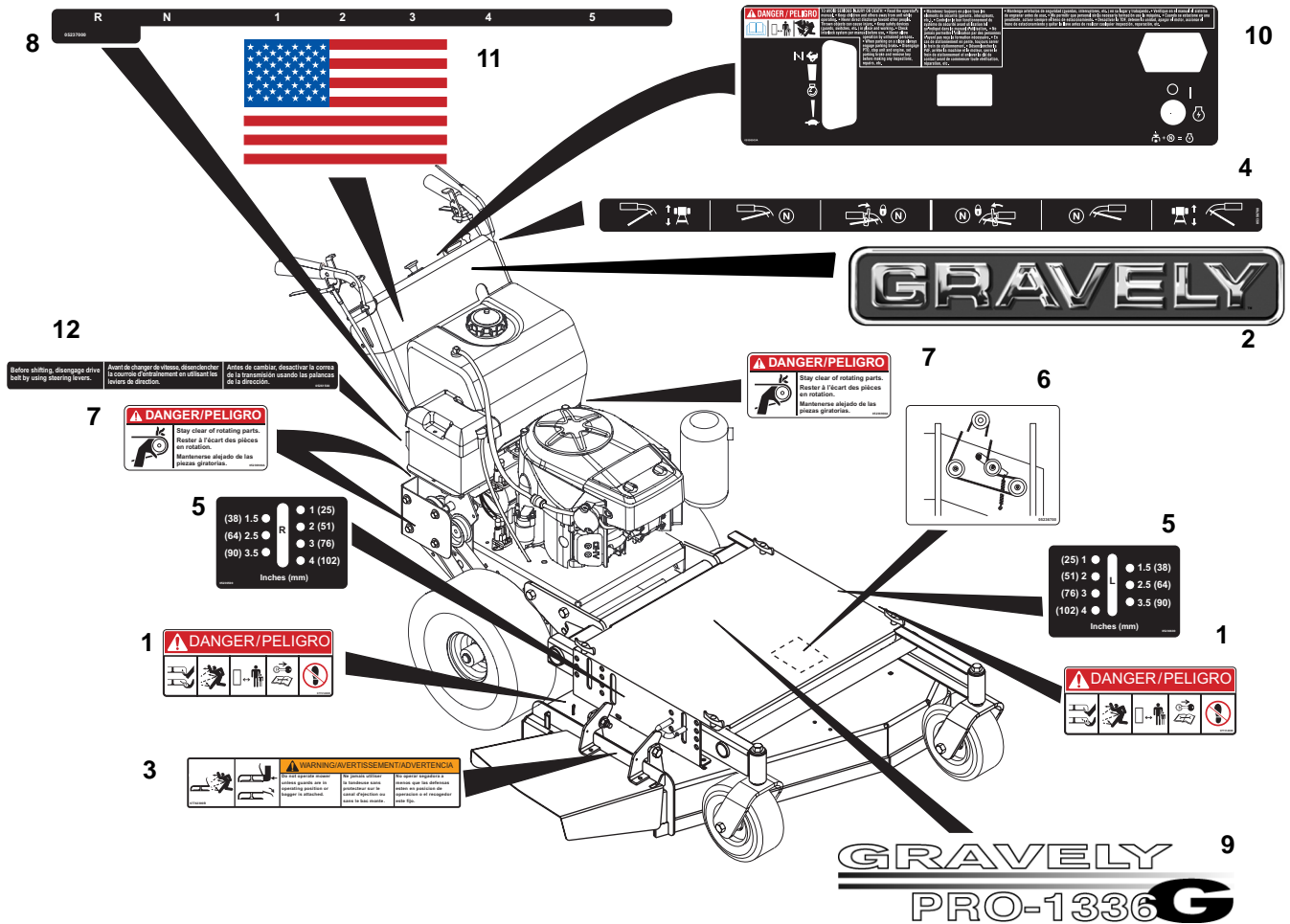
Electrical Systems	18
Wiring Diagrams	22
Continuity Diagrams	24

DECKS

48" Floating Deck Rollers	25
32", 36", 44" and 48" Fixed Deck and Mower Frame	26
48" Floating Deck and Mower Frame	28
32" and 36" Discharge Chute and Baffles	30
44" and 48" Discharge Chute and Baffles	31
44" and 48" Belts, Idlers and Blades	32
32" and 36" Belts, Idlers and Blades	34

DECALS - 32", 36" 44" AND 48" FIXED DECKS

Model 988100, 101, 102, 110, 112, 114, 115, 118, 119, 311, 313

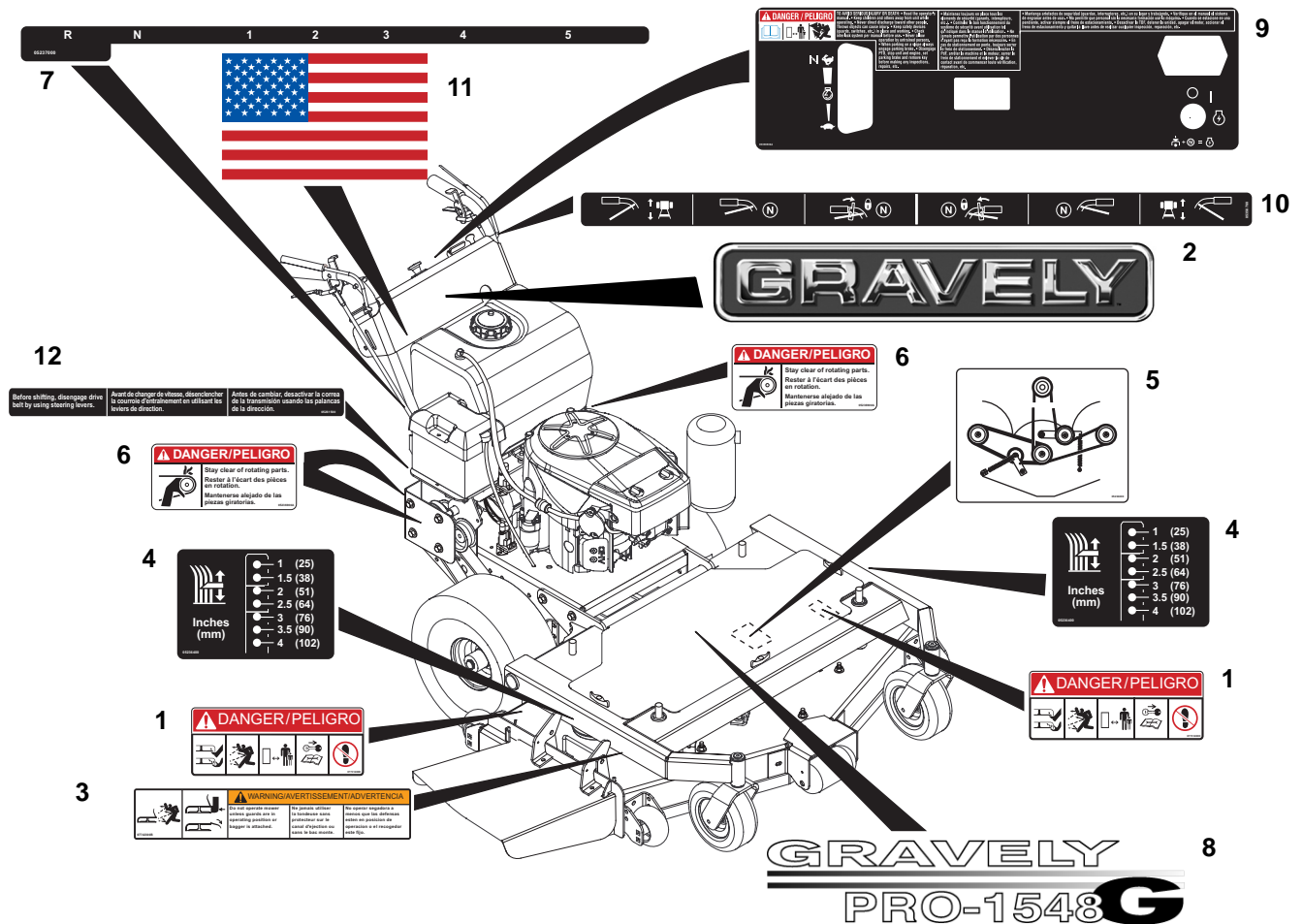


Item	Part No.	Qty.	Description
1	07731400	2	Decal, Mower Pan Head Danger
2	05225500	1	Decal- 15" Gravely Logo
3	07742300	1	Decal, Warning
4	05356700	1	Decal, Steer Levers (100, 101, 102, 110, 112, 311)
	05357900	1	Decal-Steer Levers-Gear-Pro Steer (114, 115, 118, 119, 313)
5	05236500	1	Decal-Height of Cut-Fixed- Right Hand
	05236600	1	Decal-Height of Cut-Fixed- Left Hand
6	05236700	1	Decal-Belt Diagram-2 Spindle (100, 101, 110, 114, 118, 311, 313)
	05236800	1	Decal-Belt Diagram-3 Spindle (102, 112, 115, 119)
7	05236900	3	Decal-Danger-Belt Rotating
8	05237000	1	Decal-Shift Lever
9	05237100	1	Decal-Pro 1336G (100, 114)
	05237200	1	Decal-Pro 1536G (101)
	05237300	1	Decal-Pro 1548G (102, 115)
	05356800	1	Decal- Pro 1332G (110, 118, 311, 313)
	05357500	1	Decal- Pro 1544G (112, 119)
10	05358500	1	Decal, Control GR13 (100, 110, 311)
	05358400	1	Decal, Control GR15 (101, 102, 112)
	05357800	1	Decal, Control GR13-Pro Steer (114, 118, 313)
	05358000	1	Decal, Control GR15-Pro Steer (115, 119)
11	05305100	1	Decal, American Flag
12	05361500	1	Decal, Declutch

PG1590

DECALS - 48" FLOATING DECK

Model 988103, 104

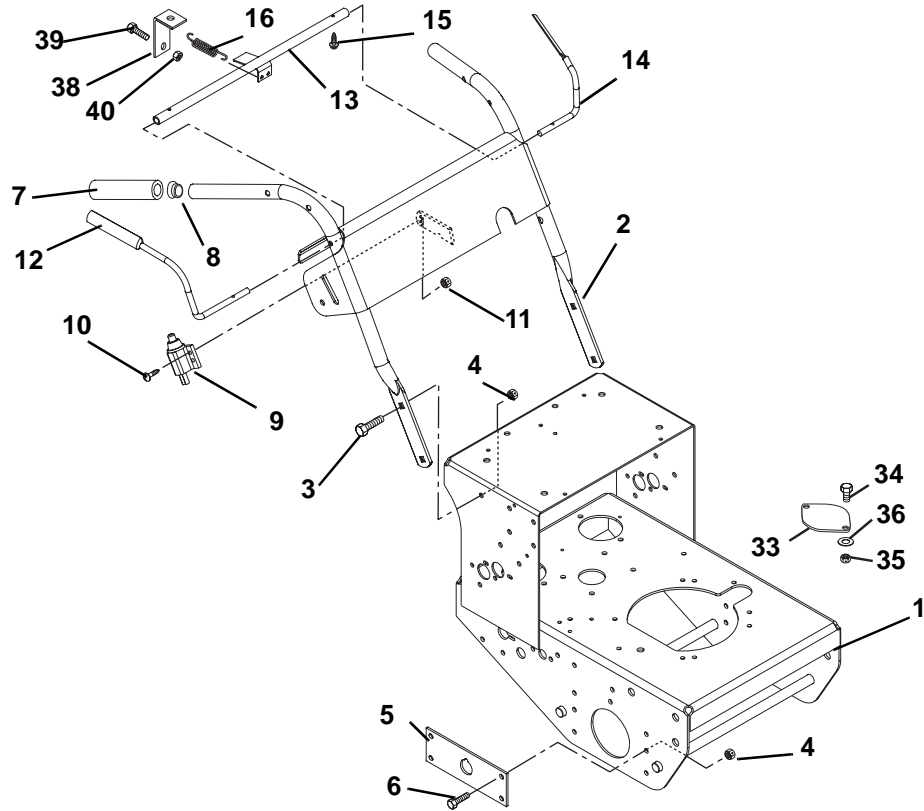


Item	Part No.	Qty.	Description
1	07731400	2	Decal, Mower Pan Head Danger
2	05225500	1	Decal- 15" Gravely Logo
3	07742300	1	Decal, Warning
4	05236400	2	Decal-Height of Cut- Floating
5	05236800	1	Decal-Belt Diagram-3 Spindle
6	05236900	3	Decal-Danger-Belt Rotating
7	05237000	1	Decal-Shift Lever
8	05237300	1	Decal-Pro 1548G (103)
	05237400	1	Decal-Pro 1748G (104)
9	05358400	1	Decal, Control GR15 (103)
	05356500	1	Decal, Control GE17 (104)
10	05356700	1	Decal, Steer Levers (Gear)
11	05305100	1	Decal, American Flag
12	05361500	1	Decal, Declutch

PG1580

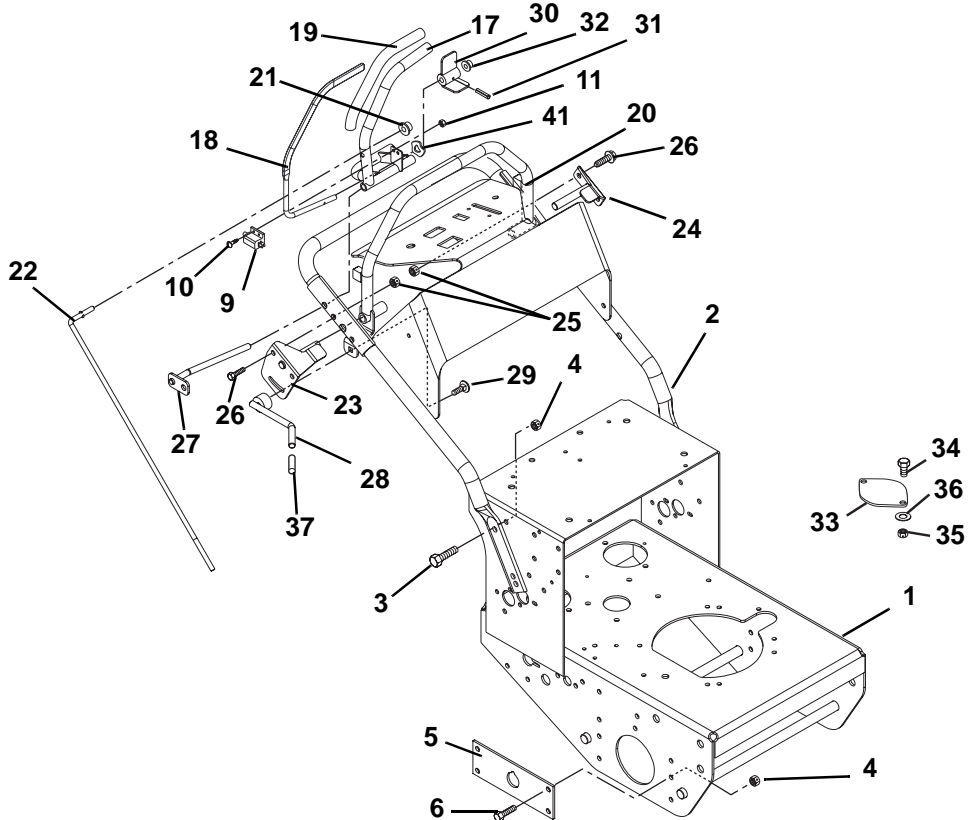
FRAME AND HANDLEBARS

Model 988100, 101, 102, 103, 104, 110, 112, 311



PG1280

Model 988114, 115, 118, 119, 313



PG1631

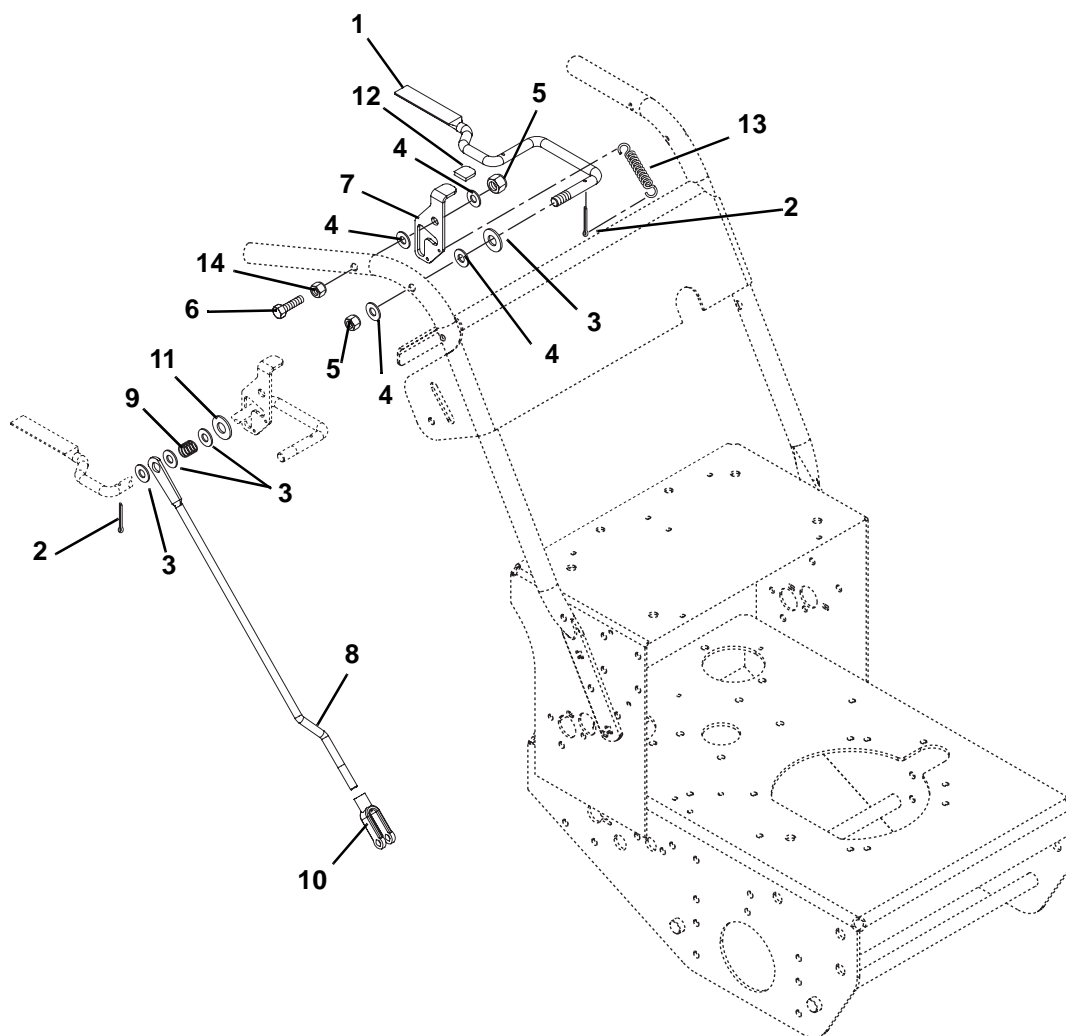
FRAME AND HANDLEBARS

Model 988100, 101, 102, 103, 104, 110, 112, 114, 115, 118, 119, 311, 313

Item	Part No.	Qty.	Description
1	58804200	1	Kit-Frame with Decals
2	58805300	1	Kit-Handlebar with Decals GR13 (100, 110, 311)
	58805400	1	Kit-Handlebar with Decals GR15 (101, 102, 103, 112)
	58805500	1	Kit, Handlebar with Decals GE17 (104)
	58807000	1	Kit, Handlebar with Decals GR13/15-Pro Steer (114, 115, 118, 119, 313)
3	05948700	4	Bolt-Hex .38-16 x 1.00 Grade 5
4	06535800	12	Nut-Locking-Nylon .38-16
5	04922300	2	Plate, Support
6	05948700	8	Bolt-Hex .38-16 x 1.00 Grade 5
7	04928800	2	Grip, Handlebar (100 - 104, 110,112, 311)
8	07533300	2	Caplug, Handlebar (100 - 104, 110,112, 311)
9	03606600	1	Switch, Double Pole (100 - 104, 110,112, 311)
	03606600	2	Switch, Double Pole (114 - 115 s/n 000101-001999)
	03657100	2	Switch, Single Pole (114 - 115 s/n 002000 & up)
10	06116900	2	Screw, Machine 10-24 x .75 Hex Washer Head (100 - 104, 110,112, 311)
	06116900	4	Screw-Machine 10-24 x .75 Hex Washer Head (114, 115, 118, 119, 313)
11	06536000	2	Nut-Locking-Nylon 10-24 with Insert (100 - 104, 110, 112, 311)
	06536000	4	Nut-Locking-Nylon 10-24 with Insert (114, 115, 118, 119, 313)
12	04924100	1	Lever, Right Hand-Operator Presence
13	04924000	1	Weldment, Pivot Tube
14	04924200	1	Lever, Left Hand-Operator Presence
15	07415600	2	Screw-Tapping 8-32 x .50 Hex Washer Head
16	08337000	1	Spring-Tension .047 x .438 x 1.45
17	04944351	1	Weldment, Lever-Right Hand Speed Control (114, 115, 118, 119, 313)
	04944451	1	Weldment-Lever-Left Hand Speed Control (114, 115, 118, 119, 313)
18	04944100	2	Lever- Operator Presence (114, 115, 118, 119, 313)
19	07534500	2	Grip- Handlebar (114, 115, 118, 119, 313)
20	04937951	1	Weldment- Speed Control Stop (114, 115, 118, 119, 313)(Serial # 101-2999)
	04944951	1	Weldment- Speed Control Stop (114, 115, 118, 119, 313)(Serial # 3000 and up)
21	05711300	2	Ring-Retaining-External .375 x .010 (114, 115, 118, 119, 313)
22	04938100	2	Rod, Steering (114, 115, 118, 119, 313)
23	04938000	1	Weldment, Control Stop Limiter-Right Hand (114, 115, 118, 119, 313)(Serial # 101-2999)
	04944800	1	Weldment, Control Stop Limiter-Right Hand (114, 115, 118, 119, 313)(Serial # 3000 and up)
24	04938300	1	Weldment, Control Stop Limiter-Left Hand (114, 115, 118, 119, 313)
25	06543100	4	Nut-Locking-Top-Flange .31-18 (114, 115, 118, 119, 313)
26	05957400	4	Bolt-Hex .31-18 x 1.75 Grade 5 (114, 115, 118, 119, 313)
27	04943200	1	Weldment, Speed Control Pivot- Right Hand (114, 115, 118, 119, 313)
	04943300	1	Weldment, Speed Control Pivot- Left Hand (114, 115, 118, 119, 313)
28	04938600	1	Lever- Control Stop Lock (114, 115, 118, 119, 313)(Serial # 101-2999)
	04944700	1	Lever- Control Stop Lock (114, 115, 118, 119, 313)(Serial # 3000 and up)
29	06214100	1	Bolt-Round Head Square Neck .31-18 x .75 Grade 5 (114, 115, 118, 119, 313) (Serial # 101-2999)
	06223900	1	Bolt-Round Head Square Neck .38-16 x .75 Grade 2 (114, 115, 118, 119, 313) (Serial # 3000 and up)
30	04936900	2	Actuator, Switch (114, 115, 118, 119, 313)
31	05803400	2	Pin-Roll .125 x .75 (114, 115, 118, 119, 313)
32	06514900	2	Nut-Push .312 (114, 115, 118, 119, 313)
33	04926053	2	Plate, Cover
34	05959400	4	Bolt-Hex .38-16 x .75 Grade 5
35	06542000	4	Nut-Locking-Flange .375-16
36	06436200	4	Washer-Flat-Steel .406 x .812 x .065
37	07528300	1	Grip, Hand Clutch Lever (114, 115, 118, 119, 313)
38	04928900	1	Bracket, Brake Link (100, 101, 102, 103, 104, 110, 112, 311)
39	05946800	1	Bolt, Hex .25-20 x .75 Grade 5 (100, 101, 102, 103, 104, 110, 112, 311)
40	06531000	1	Nut, Locking Nylon .25-20 (100, 101, 102, 103, 104, 110, 112, 311)
41	038843	1	Washer, Wave (114, 115, 118, 119, 313)

HAND CONTROLS - PISTOL GRIPS

Model 988100, 101, 102, 103, 104, 110, 112, 311

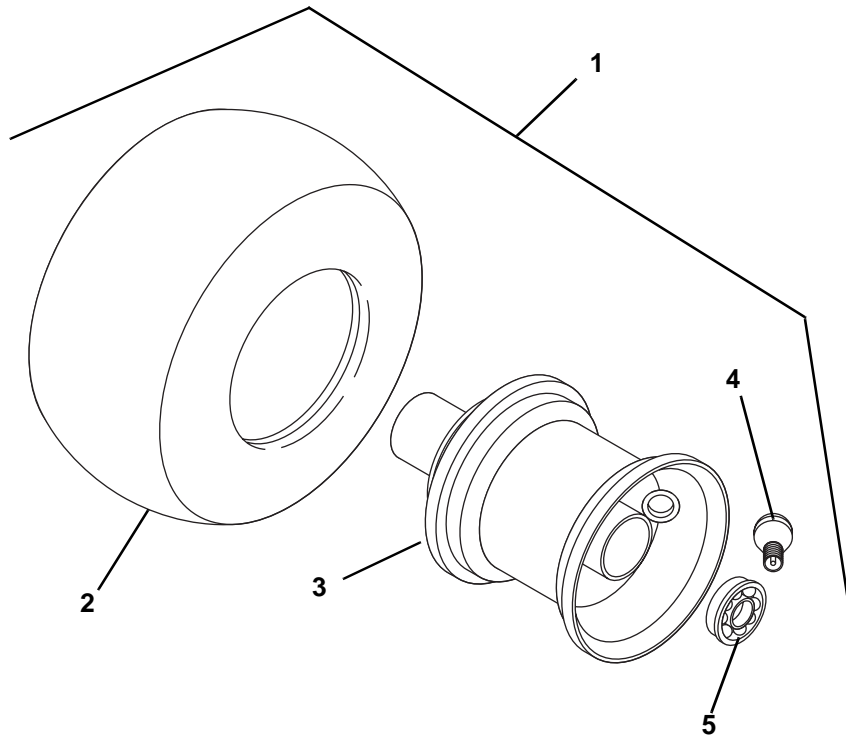


PG1290

Item	Part No.	Qty.	Description
1	04905200	1	Lever, Hand Control Left Hand
	04922400	1	Lever, Hand Control Right Hand
2	06706900	4	Pin-Cotter .09 x .75
3	06436200	8	Washer-Flat-Steel .406 x .812 x .065
4	020775	8	Washer-Flat-Nylon .375 x .75 x .060
5	06529600	4	Nut-Locking-Center .38-16
6	05921600	2	Bolt-Hex .38-16 x 2.50 Grade 2
7	04922700	1	Latch, Right Hand Thumb
	04922600	1	Latch, Left Hand Thumb
8	04922500	2	Rod, Steering Link
9	043193	2	Spring-Compression .045 x .60 x .75
10	018380	2	Clevis, .38-24 Adjustable
11	06441000	2	Washer-Flat-Steel .50 x 1.25 x .083
12	04928700	2	Grip, Thumb Latch
13	08339300	2	Spring-Tension .041 x .50 x 1.75
14	06537200	2	Nut-Locking-Jam-Center .375-16

WHEELS

Model 988100, 101, 102, 103, 104, 110, 112, 114, 115, 118, 119, 311, 313

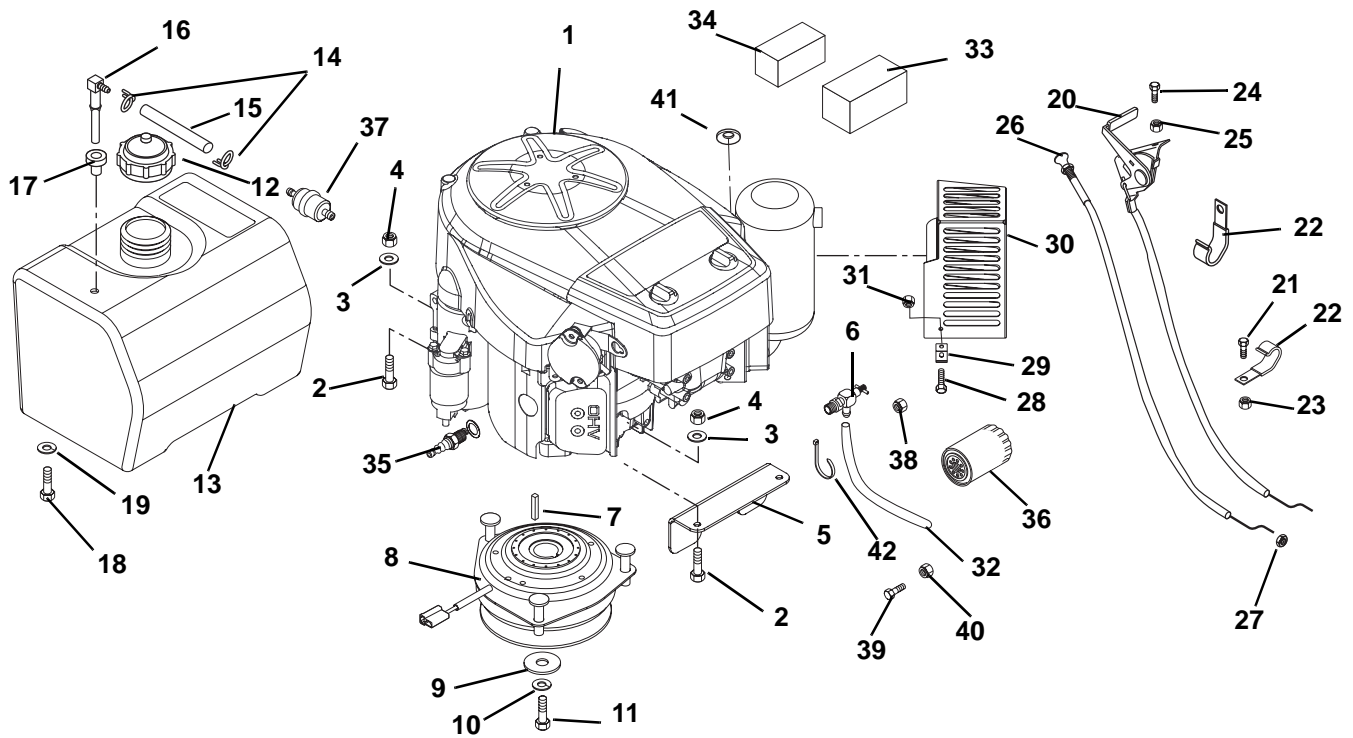


PG0590

Item	Part No.	Qty.	Description
1	07157300	2	Assembly, Wheel and Tire 16 x 6.50 (Includes 2 - 5)
2	07157700	1	Tire, 16 x 650-8 4Ply
3	07157600	1	Rim Assembly
4	011191	1	Valve Stem Assembly
5	05436500	2	Bearing, 1" Sealed

ENGINE, FUEL AND EXHAUST SYSTEM

Model 988100, 101, 102, 103, 104, 110, 112, 114, 115, 118, 119, 311, 313



PG1351

Item	Part No.	Qty.	Description
1	08266900	1	Engine, 17 HP Kawasaki (104)
	08266800	1	Engine, 15 HP Kawasaki (101, 102, 103, 112, 115, 119)
	08266700	1	Engine, 13 HP Kawasaki (100, 110, 114, 118, 311, 313)
2	05957400	4	Bolt-Hex .31-18 x 1.75 Grade 5
3	06308600	4	Washer-Locking .31 x .078 Regular
4	06529200	4	Nut-Hex .31-18
5	04923551	1	Bracket, Clutch
6	04923600	1	Valve, Oil Drain
7	06603400	1	Key-Square .25 x 1.25 x 25 SAE 8630 OR SAE 1035
8	04915400	1	Clutch, Electric
9	06443600	1	Washer-Flat-Steel .469 x 2.00 x .25
10	06309300	1	Washer-Locking .44 x .109 Regular
11	05965700	1	Bolt-Hex .44-20 x 3.00 Grade 5
12	00273700	1	Cap, Fuel
13	04914000	1	Tank, Fuel
14	06939100	2	Clamp-Hose Wire .49/.51 x .116
15	021134	1	Gas Line-Bulk .25 I.D.
16	09112300	1	Fitting, Tank
17	050246	1	Bushing

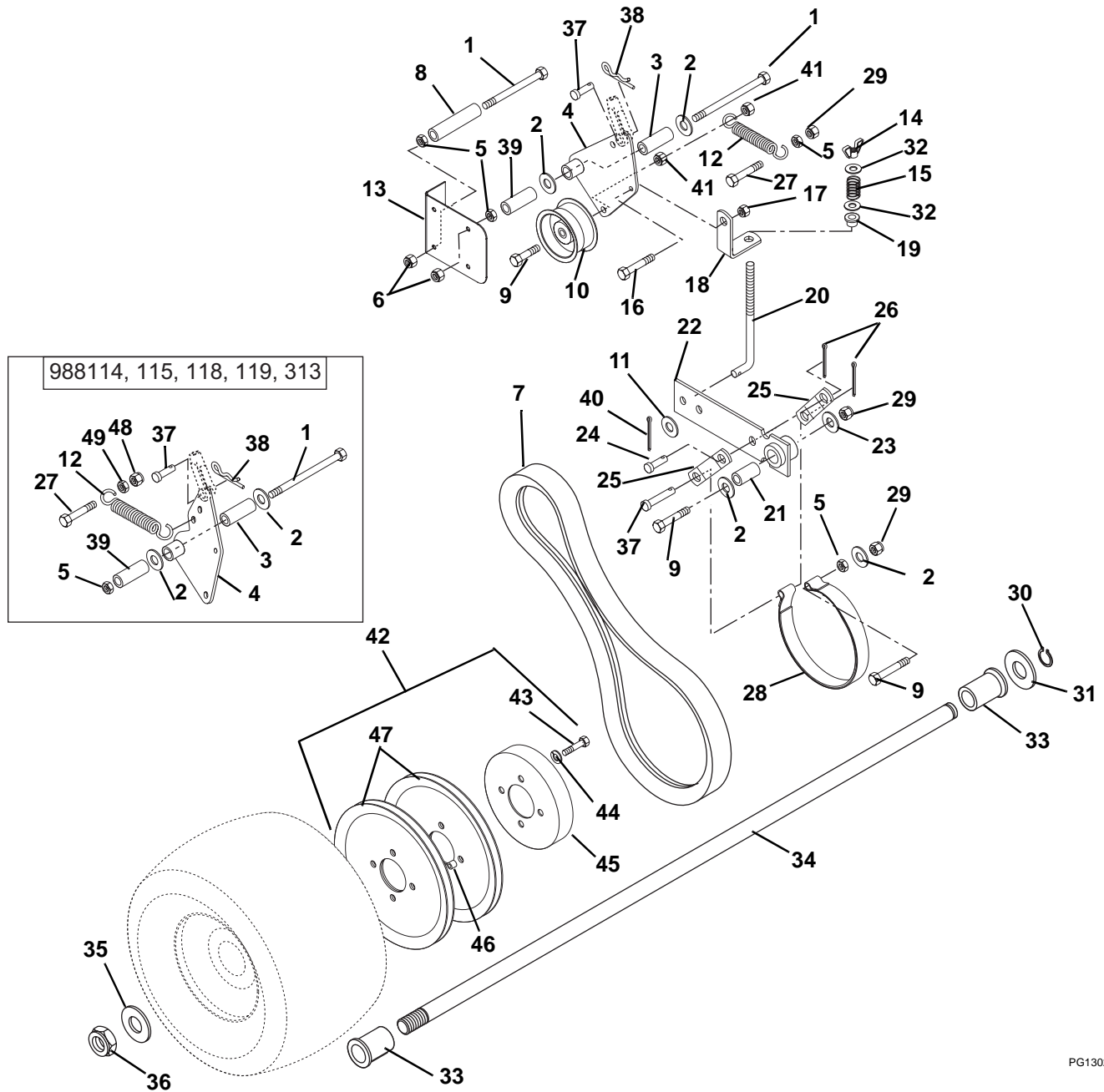
ENGINE, FUEL AND EXHAUST SYSTEM

Model 988100, 101, 102, 103, 104, 110, 112, 114, 115, 118, 119, 311, 313

Item	Part No.	Qty.	Description
18	05959400	4	Bolt-Hex .38-16 x .75 Grade 5
19	06308800	4	Washer-Locking .38 x .094 Regular
20	06949800	1	Cable, Throttle-with Liner (100 - 104, 110, 112, 311)
	06949100	1	Cable- Throttle-with Liner (114, 115, 118, 119, 313)
21	05947000	1	Bolt-Hex .31-18 x .75 Grade 5
22	044715	2	J-Clamp
23	06530200	1	Nut-Locking-Nylon .312-18
24	06116900	2	Screw-Machine 10-24 x .75 Hex Washer Head
25	06536000	2	Nut-Locking-Nylon 10-24 with Insert
26	035137	1	Control, Choke (101, 102, 103, 104, 112, 115, 119)
27	06534700	1	Nut-Jam .375-24 (104)
28	05947000	1	Bolt-Hex .31-18 x .75 Grade 5 (311, 313)
29	04935951	1	Bracket, Muffler Guard (311, 313)
30	04935651	1	Guard, Muffler (311, 313)
31	06529800	1	Nut-Locking-Center .31-18 (311, 313)
32	01590900	1	Tube, Oil Drain
33	21538000	AR	Filter, Air Paper (100, 101, 102, 103, 110, 112, 114, 115, 118, 119, 311, 313)
	21538200	AR	Filter, Air Paper (104)
34	21538100	AR	Filter, Air Foam (100, 101, 102, 103, 110, 112, 114, 115, 118, 119, 311, 313)
	21538300	AR	Filter, Air Foam (104)
35	21533600	AR	Spark Plug
36	21535800	AR	Filter, Oil
37	21538400	AR	Fuel Filter- Kawasaki
38	06529800	1	Nut-Locking-Center .31-18 (311, 313)
39	05959400	1	Bolt-Hex .38-16 x .75 Grade 5 (311, 313)
40	06529600	1	Nut-Locking-Center .38-16 (311, 313)
41	06439100	1	Washer-Flat-Steel .38 x .87 x .179 (311, 313)
42	07517300	1	Cable Tie

TRACTION CONTROLS

Model 988100, 101, 102, 103, 104, 110, 112, 114, 115, 118, 119, 311, 313



PG1302

Item	Part No.	Qty.	Description
1	05970400	4	Bolt-Hex .38-16 x 4.50 Grade 5
2	06436200	8	Washer-Flat-Steel .406 x .812 x .065
3	049022	2	Bushing, Steel .385 x .610 x 1.80
4	04934500	2	Weldment- Wheel Clutch Arm (100, 101 - 104, 110, 112, 311) (Serial # 101-2999)
	04938700	2	Weldment- Wheel Clutch Arm (114, 115, 118, 119, 313) (Serial # 101-2999)
	04946200	2	Weldment- Wheel Clutch Arm (Serial # 3000 and up)
5	06529400	8	Nut-Hex .38-16
6	06542000	4	Nut-Locking-Flange .375-16
7	07239600	2	Belt, Traction Drive (Serial # 101-2999)
	07243600	2	Belt, Traction Drive (Serial # 3000 and up)

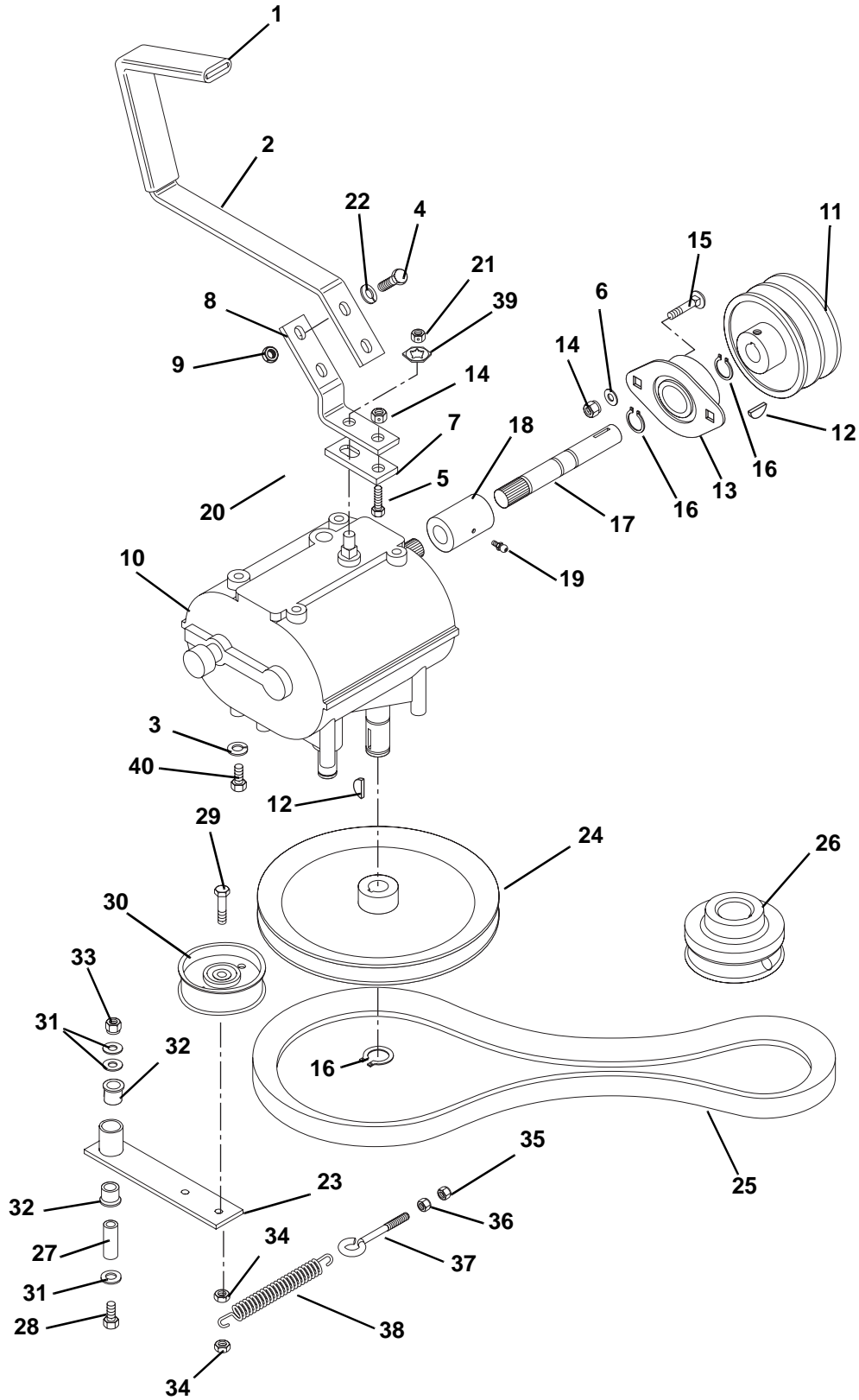
TRACTION CONTROLS

Model 988100, 101, 102, 103, 104, 110, 112, 114, 115, 118, 119, 311, 313

Item	Part No.	Qty.	Description
8	08875300	2	Bushing, Spacer, 3.25 x .38 I.D. x .63 O.D.
9	05963300	6	Bolt-Hex .38-16 x 2.00 Grade 5
10	048870	2	Sheave 3.25 x 1.25
11	06437200	2	Washer-Flat-Steel .344 x .688 x .065
12	052617	2	Spring-Tension .105 x 1.00 x 5.00
13	58805200	2	Kit-Belt Cover with Decals
14	06537100	2	Nut-Nylock Wing .31-18
15	011779	2	Spring-Compression .125 x .78 x 1.00
16	05946800	2	Bolt-Hex .25-20 x .75 Grade 5
17	06531000	2	Nut-Locking-Nylon .25-20
18	04928900	2	Bracket, Brake Link
19	045789	2	Bushing-Flange .32 x .62 x .312 Nylon
20	04935500	2	Rod, Brake
21	049027	2	Bushing Sleeve .39 x .622 x .95 Steel
22	049023	2	Weldment, Brake Arm
23	06444000	2	Washer-Flat-Steel .406 x 1.00 x .188
24	06814800	2	Pin-Clevis .38 x .75
25	049026	4	Link, Brake Arm
26	06707300	4	Pin-Cotter .12 x .75
27	05957900	2	Bolt-Hex .38-16 x 1.50 Grade 5 (100 - 104, 110, 112, 311)
	05957200	2	Bolt-Hex .31-18 x 2.00 Grade 5 (114, 115, 118, 119, 313)
28	08880600	2	Assembly, Pro Brake Band
29	06535800	6	Nut-Locking-Nylon .38-16
30	017980	1	Ring-Retaining-External .906 x .078
31	06436300	3	Washer-Flat-Steel 1.01 x 1.50 x .062
32	06435700	4	Washer-Flat-Steel .38 x .875 x .083
33	049969	2	Bushing-Flange 1.01 x 1.38 x 1.4 x 1.65
34	04923400	1	Shaft, Axle
35	06439000	1	Washer-Flat-Steel .812 x 1.50 x .135
36	06537900	1	Nut-Locking-Jam-Nylon .75-10
37	06814900	2	Pin-Clevis .38 x 1.25
38	06713500	2	Pin-Hair Internal .08 x .18 x 1.18
39	04923300	2	Bushing, Spacer
40	06706900	2	Pin-Cotter .09 x .75
41	06537200	4	Nut-Locking-Jam-Center .38-16
42	07326900	2	Assembly, Pulley and Drum (Includes 43 - 47)
43	05952400	8	Bolt-Hex .31-18 x 1.50 Grade 5
44	06308600	8	Washer-Locking .31 x .078 Regular
45	049015	2	Drum, Brake
46	048868	8	Bushing, Sleeve .385 x .625 x .475 Steel
47	07326901	4	Sheave 8"
48	06529800	2	Nut-Locking-Center .31-18 (114, 115, 118, 119, 313)
49	06529200	2	Nut-Hex .31-18 (114, 115, 118, 119, 313)

GEAR SELECTOR

Model 988100, 101, 102, 103, 104, 110, 112, 114, 115, 118, 119, 311, 313



PG1320

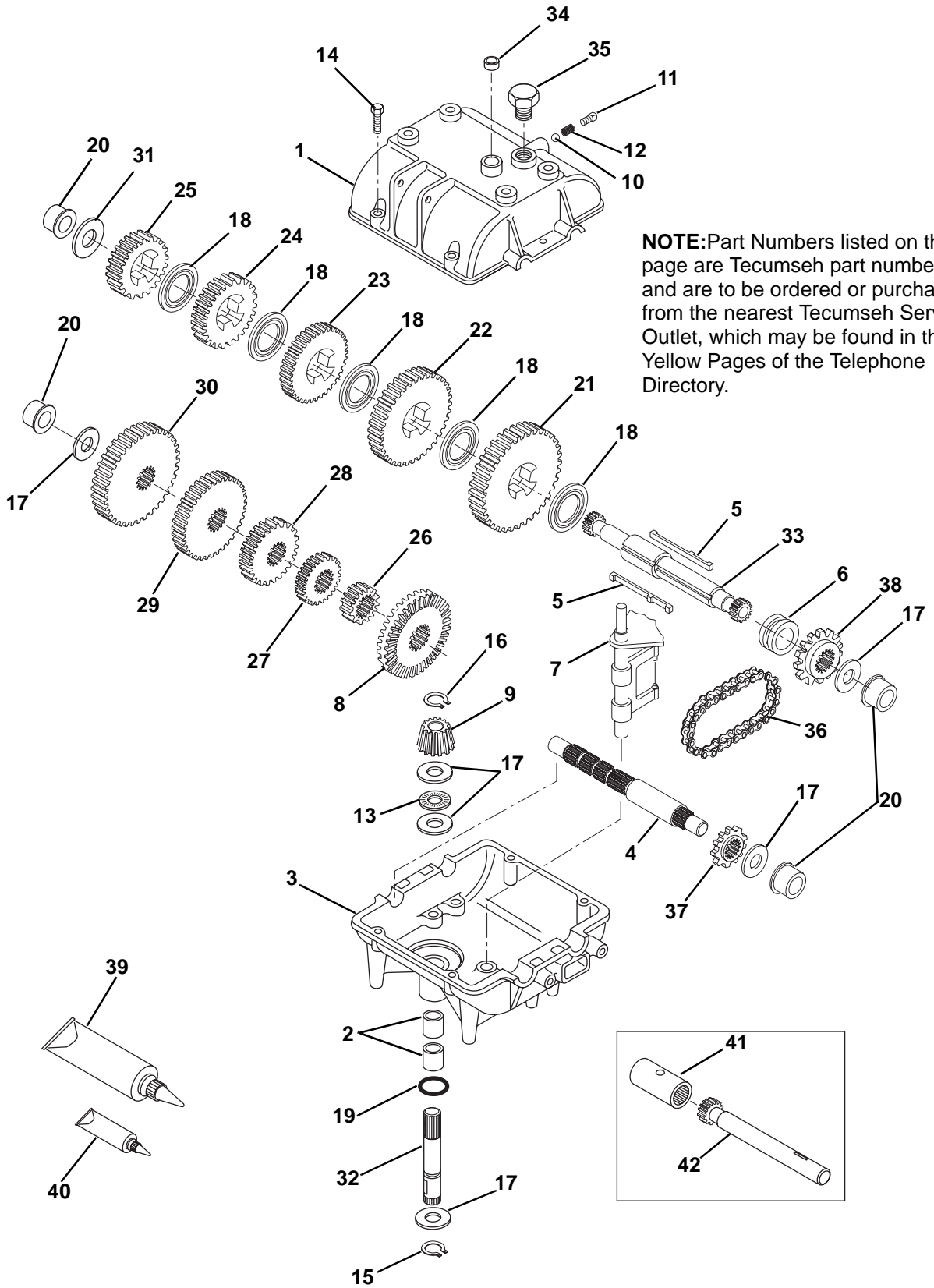
GEAR SELECTOR

Model 988100, 101, 102, 103, 104, 110, 112, 114, 115, 118, 119, 311, 313

Item	Part No.	Qty.	Description
1	045550	1	Grip
2	04922851	1	Lever, Shifter (100 - 104, 110, 112, 311)
	04937051	1	Lever, Shifter (114, 115, 118, 119, 313)
3	06308600	4	Washer-Locking .31 x .078 Regular
4	05946900	2	Bolt-Hex .31-18 x 1.00 Grade 5
5	05947700	1	Bolt-Hex .25-20 x 1.00 Grade 5
6	06442300	4	Washer-Flat-Steel .25 x .562 x .049
7	04923000	1	Plate, Shift
8	04922951	1	Arm, Shift
9	06543100	2	Nut-Locking-Top-Flange .31-18
10	04901000	1	Transmission
11	07328500	2	Sheave, Drive
12	124549	3	Key-Woodruff .19 x .75
13	049277	2	Bearing-Flange .625 x 1.875 x .797
14	06531000	5	Nut-Locking-Nylon .25-20
15	06219900	4	Bolt-Round Head Square Neck .25-20 x .75 Grade 5
16	015338	5	Ring-Retaining-External .579 x .930
17	04923100	2	Shaft, Half
18	04901200	2	Coupler
19	411027	2	Fitting, Lube, .25-28
20	034640	1	Switch-Neutral Start (N.C.) (100 - 104, 110, 112, 311)
21	06539400	3	Nut-Locking-Center .38-24
22	06437200	2	Washer-Flat-Steel .344 x .688 x .065
23	051134	1	Weldment, Ground Drive Idler
24	048995	1	Pulley-V 7.50 x .63 Sheave Transmission
25	07243100	1	V-Belt 4L-Section 34.385 x .531
26	04901400	1	Sheave
27	041992	1	Bushing, Steel .56 x .745 x 2.04
28	05960000	1	Bolt-Hex .50-13 x 3.25 Grade 5
29	05963300	1	Bolt-Hex .38-16 x 2.00 Grade 5
30	052062	1	Idler-Pulley Flat 3.25 x .625
31	06441900	3	Washer-Flat-Steel .531 x 1.06 x .095
32	010174	2	Bushing-Flange Nylon .762 x 1.00 x .58 x 1.48
33	06540600	1	Nut-Locking-Nylon .50-13
34	06537200	2	Nut-Locking-Jam-Center .375-16
35	06535800	1	Nut-Locking-Nylon .38-16
36	06529400	1	Nut-Hex .38-16
37	07030000	1	Eye Bolt
38	08336100	1	Spring, Extension
39	06306700	1	Washer, Locking .38 x .13
40	05947000	4	Bolt-Hex .31-18 x .75 Grade 5

TRANSMISSION

Model 988100, 101, 102, 103, 104, 110, 112, 114, 115, 118, 119, 311, 313



NOTE:Part Numbers listed on this page are Tecumseh part numbers and are to be ordered or purchased from the nearest Tecumseh Service Outlet, which may be found in the Yellow Pages of the Telephone Directory.

TRANSMISSION

Model 988100, 101, 102, 103, 104, 110, 112, 114, 115, 118, 119, 311, 313

Item	Part No.	Qty.	Description
1	772083A	1	Transmission Cover
2	780086A	1	Needle Bearing .625 ID x .50
	780142	1	Needle Bearing .625 ID x .75
3	770061A	1	Transmission Case
4	776134	1	Countershaft
5	792089A	4	Shift Key
6	784266	1	Shift Collar
7	784376	1	Shift Rod & Fork Assembly
8	778154	1	Bevel Gear (42 Teeth)
9	792176	1	Bevel Pinion (14 Teeth-Steel)
10	792077	1	Steel Ball .31 Diameter
11	792078	1	Set Screw .38-16 x .38
12	780079	1	Spring
13	792071	1	Thrust Bearing
14	792073A	6	Screw .25-20 x 1.25
15	792035	1	Ring, Retaining
16	788040	1	Ring, Retaining
17	780072	6	Washer
18	780108	5	Washer
19	792001	1	"O"-Ring
20	780105A	4	Bushing-Flanged
21	778146A	1	Spur Gear (37 Teeth)
22	778125	1	Spur Gear (35 Teeth)
23	778239A	1	Spur Gear (32 Teeth-Steel)
24	778124A	1	Spur Gear (30 Teeth)
25	778250	1	Spur Gear (27 Teeth)
26	778145	1	Spur Gear (12 Teeth)
27	778151	1	Spur Gear (15 Teeth)
28	778240	1	Spur Gear (18 Teeth)
29	778126A	1	Spur Gear (20 Teeth)
30	778249	1	Spur Gear (23 Teeth)
31	780139	1	Washer
32	776135	1	Input Shaft 3.69 long
33	776402	1	Shifter and Brake Shaft
34	788069	1	Square Cut Ring
35	792074	1	Threaded Plug
36	786081	1	Roller Chain (No. 41, 24 Links)
37	786082	1	Sprocket (9 Teeth)
38	786083	1	Sprocket (18 Teeth)
39	788067B	1	Grease (32 oz. Bottle Bentonite Grease)
40	510334	1	Gasket Eliminator (Loctite #515)
41	786176	1	Optional Coupling (1.813 OD)
	786177	1	Optional Coupling (1.188 OD)
42	776401	1	Optional Connector (6.095 long)
	776403	1	Optional Connector (6.25 long)
	776407	1	Optional Connector (6.630 long)
	776416	1	Optional Connector (7.000 long)

TECUMSEH PRODUCTS COMPANY

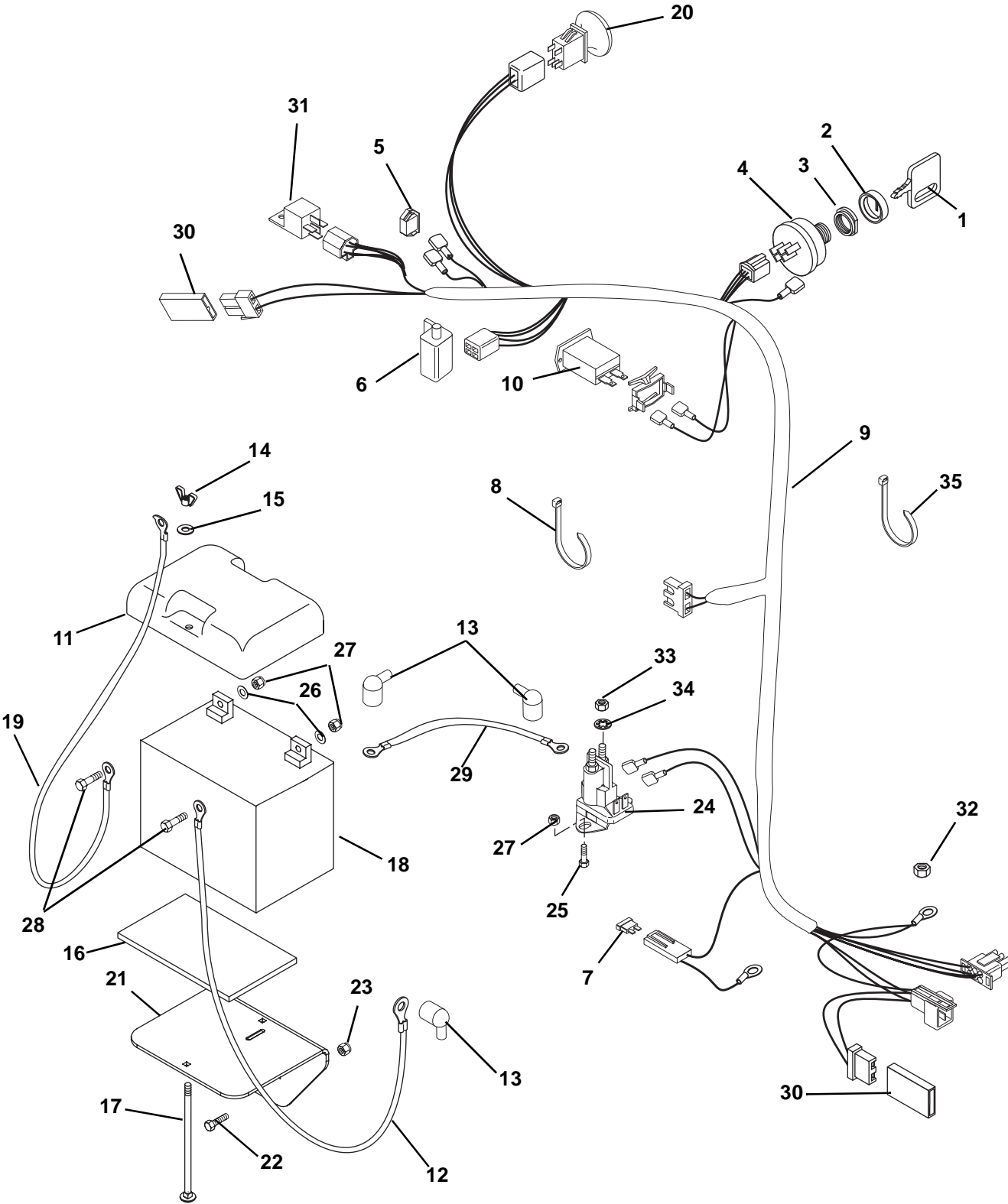
Engine and Gear Service Division

Grafton, Wisconsin

NOTE: Part Numbers listed on this page are Tecumseh part numbers and are to be ordered or purchased from the nearest Tecumseh Service Outlet, which may be found in the Yellow Pages of the Telephone Directory.

ELECTRICAL SYSTEM - ELECTRIC START - PISTOL GRIPS

Model 988104



PG1421

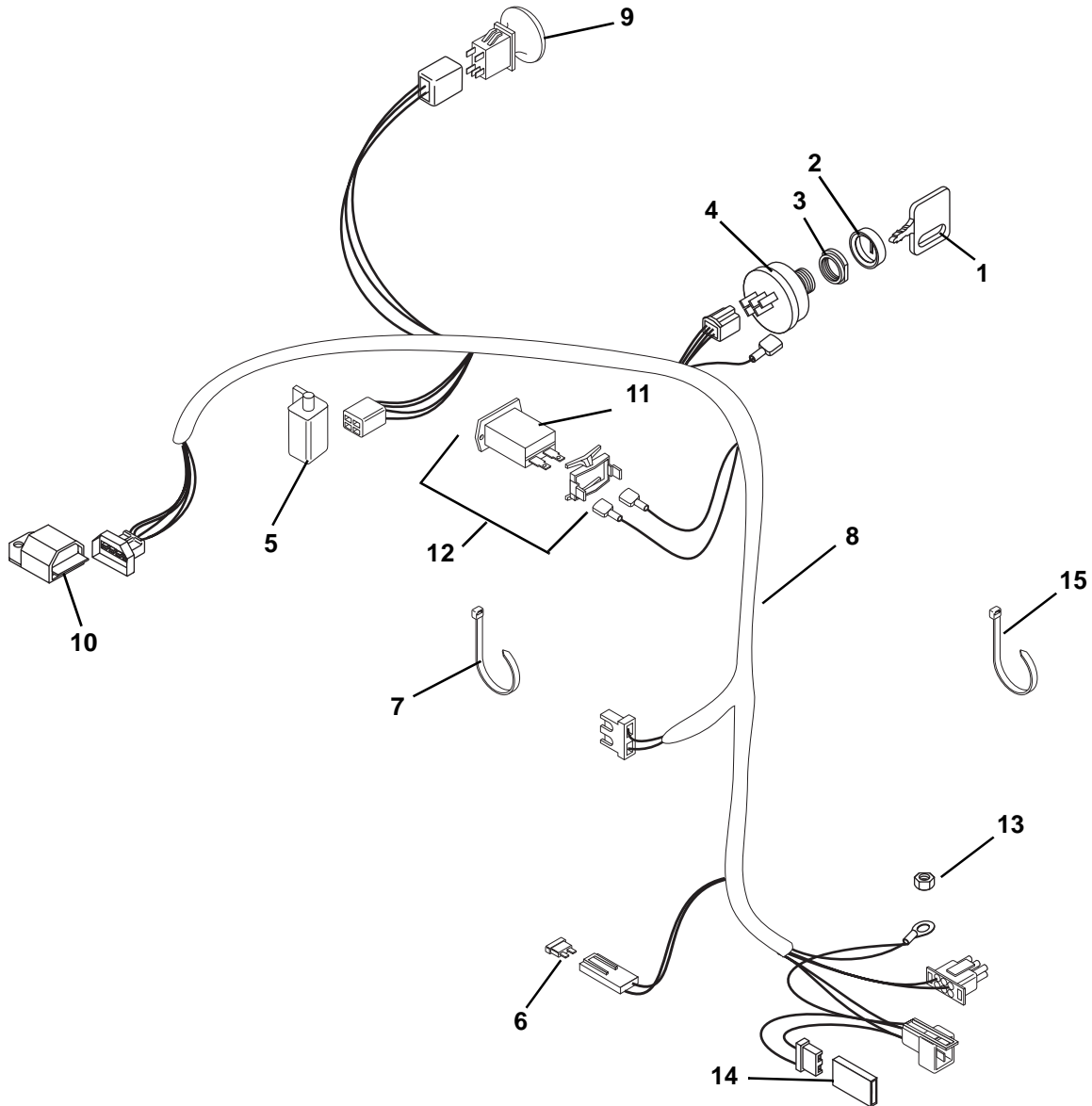
ELECTRICAL SYSTEM - ELECTRIC START - PISTOL GRIPS

Model 988104

Item	Part No.	Qty.	Description
1	02460700	1	Key- with Cap
2	045490	1	Cap, Ignition Switch
3	045489	1	Nut, Panel .625-32
4	03602300	1	Key Switch
5	050673	1	Light, Indicator
6	03606600	1	Switch- Double Pole N.O./N.O.
7	09351100	1	Fuse-25 AMP
8	036313	3	Tie Wrap-Black
9	04924300	1	Wire Harness
10	04935700	1	Hour Meter-Quartz
11	04912900	1	Cover-Battery
12	02743300	1	Cable, Positive Battery
13	07533200	3	Boot, Eyelet Terminal
14	06537500	2	Nut-Locking-Wing .25-20
15	06437300	2	Washer-Flat-Steel .281 x .625 x .065
16	050417	1	Pad, Battery
17	06226400	2	Bolt-Round Head Square Neck .25-20 x 7.50 Grade 2
18	01554800	1	Battery
19	042130	1	Cable, Negative Battery
20	01545600	1	Switch, Clutch With Retainer
21	04924451	1	Weldment, Battery Tray
22	05948700	4	Bolt-Hex .38-16 x 1.00 Grade 5
23	06535800	4	Nut-Locking-Nylon .38-16
24	03679000	1	Solenoid
25	05946800	2	Bolt-Hex .25-20 x .75 Grade 5
26	06437300	2	Washer-Flat-Steel .281 x .62 x .065
27	06530100	4	Nut-Locking-Flange .25-20
28	05946800	2	Bolt-Hex .25-20 x .75 Grade 5
29	042696	1	Starter Cable 6.75"
30	09293500	2	Diode, Connector Shell
31	03042800	1	Relay
32	06543100	1	Nut-Locking-Top-Flange .31-18
33	06536700	2	Nut- Jam .31-24
34	06310500	2	Washer-Locking .31
35	04003800	2	Tie Wrap

ELECTRICAL SYSTEM - RECOIL START - PISTOL GRIPS

Model 988100, 101, 102, 103, 110, 112, 311

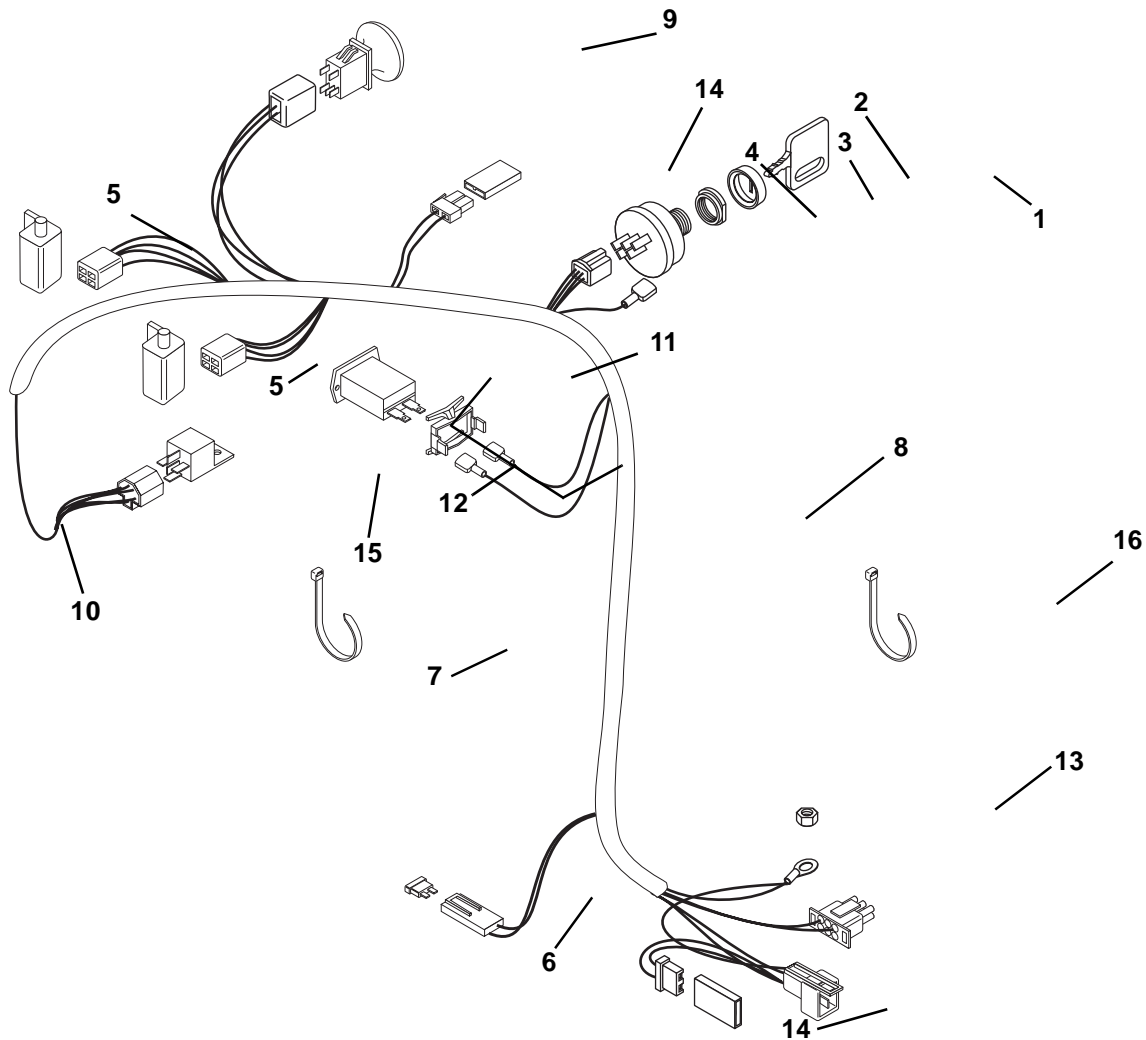


PG1431

Item	Part No.	Qty.	Description
1	02460700	1	Key- with Cap
2	045490	1	Cap, Ignition Switch
3	045489	1	Nut, Panel .562-24
4	03602300	1	Key Switch
5	03606600	1	Switch- Double Pole N.O./N.O.
6	09351100	1	Fuse-25 AMP
7	036313	3	Tie Wrap-Black
8	04923700	1	Wire Harness, Gear Recoil
9	01545600	1	Switch, Clutch With Retainer
10	08885700	1	Module, Interlock Recoil
11	04935700	1	Hour Meter-Quartz
12	78804200	AR	Kit, Hour Meter (Optional)
13	06543100	1	Nut-Locking-Top-Flange .31-18
14	09293500	1	Diode, Connector Shell
15	04003800	2	Tie Wrap

ELECTRICAL SYSTEM - RECOIL START - PRO STEER

Model 988114, 115, 118, 119, 313

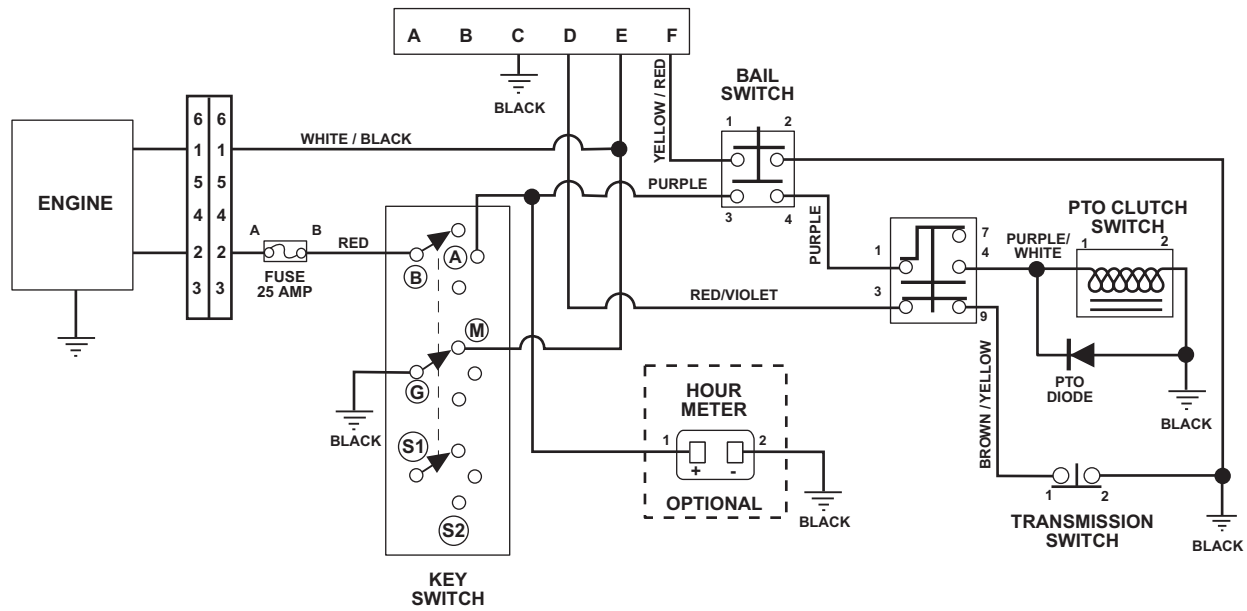


PG1641

Item	Part No.	Qty.	Description
1	02460700	1	Key- with Cap
2	045490	1	Cap, Ignition Switch
3	045489	1	Nut, Panel .562-24
4	03602300	1	Key Switch
5	03606600	2	Switch- Double Pole N.O./N.O. (S/N 000101-001999)
	03657100	2	Switch- Single Pole (N.O.) (S/N 002000 & up)
6	09351100	1	Fuse-25 AMP
7	036313	3	Tie Wrap-Black
8	04940900	1	Harness, Wire Gear Recoil-Pro Steer
9	04940800	1	Switch, Clutch
10	08885700	1	Module, Interlock Recoil (S/N 000101-001999)
11	04935700	1	Hour Meter-Quartz
12	78804200	AR	Kit, Hour Meter (Optional)
13	06543100	1	Nut-Locking-Top-Flange .31-18
14	09293500	2	Diode, Connector Shell
15	03042800	1	Relay
16	04003800	2	Tie Wrap

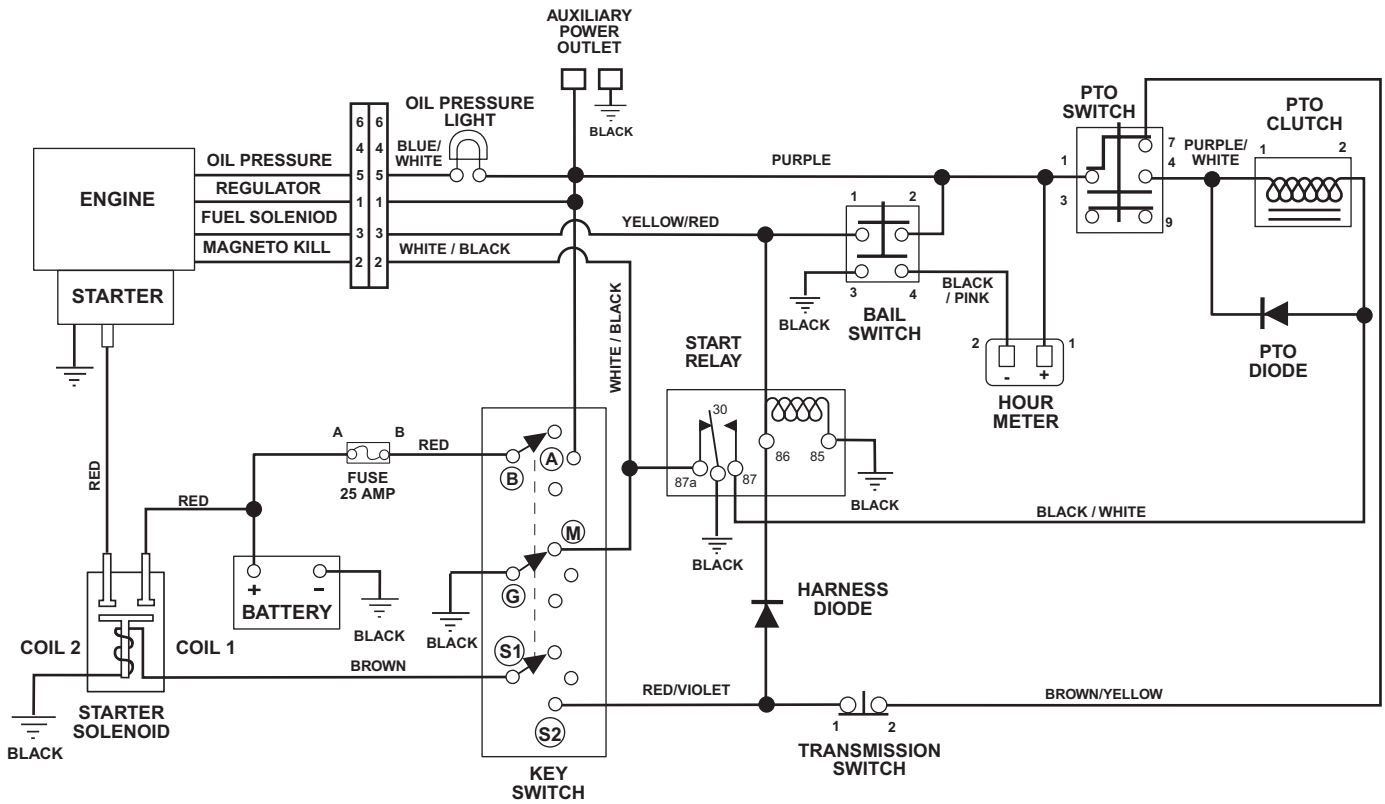
WIRING DIAGRAMS - RECOIL START - PISTOL GRIPS

Model 988100, 101, 102, 103, 110, 112, 311



PG1481

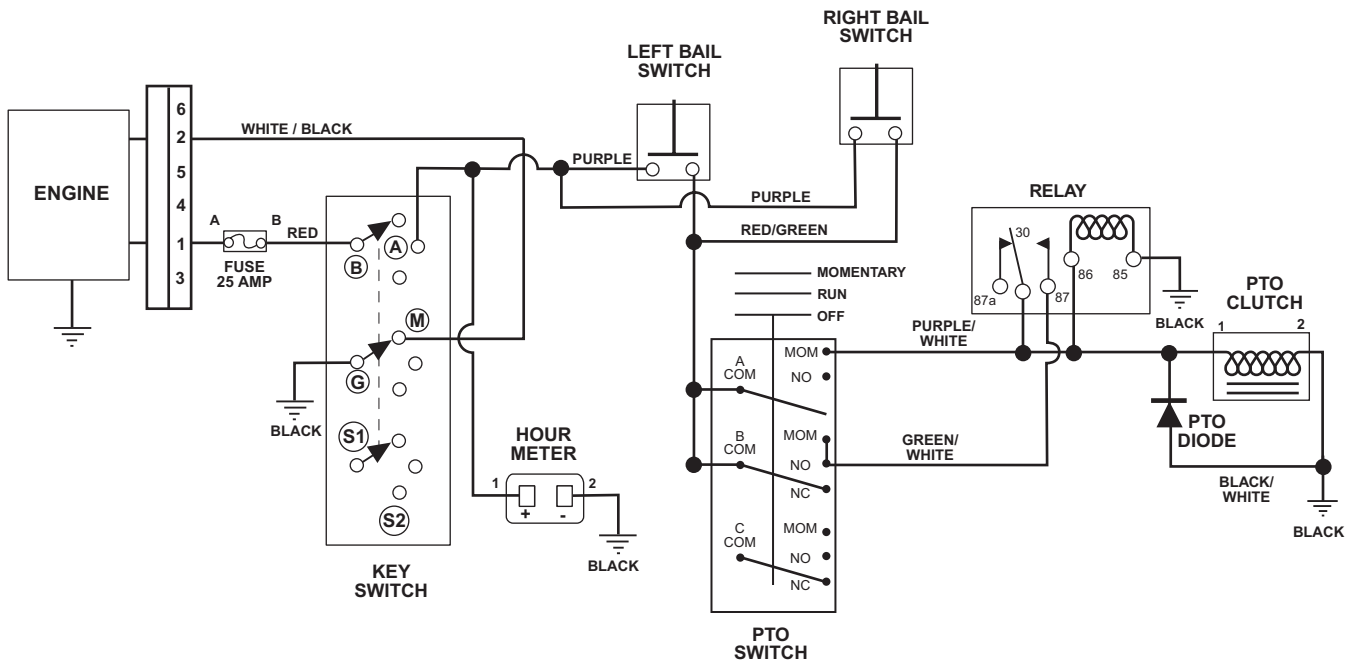
Model 988104



PG1461

WIRING DIAGRAMS - RECOIL START - PRO STEER

Model 988114, 115, 118, 119, 313



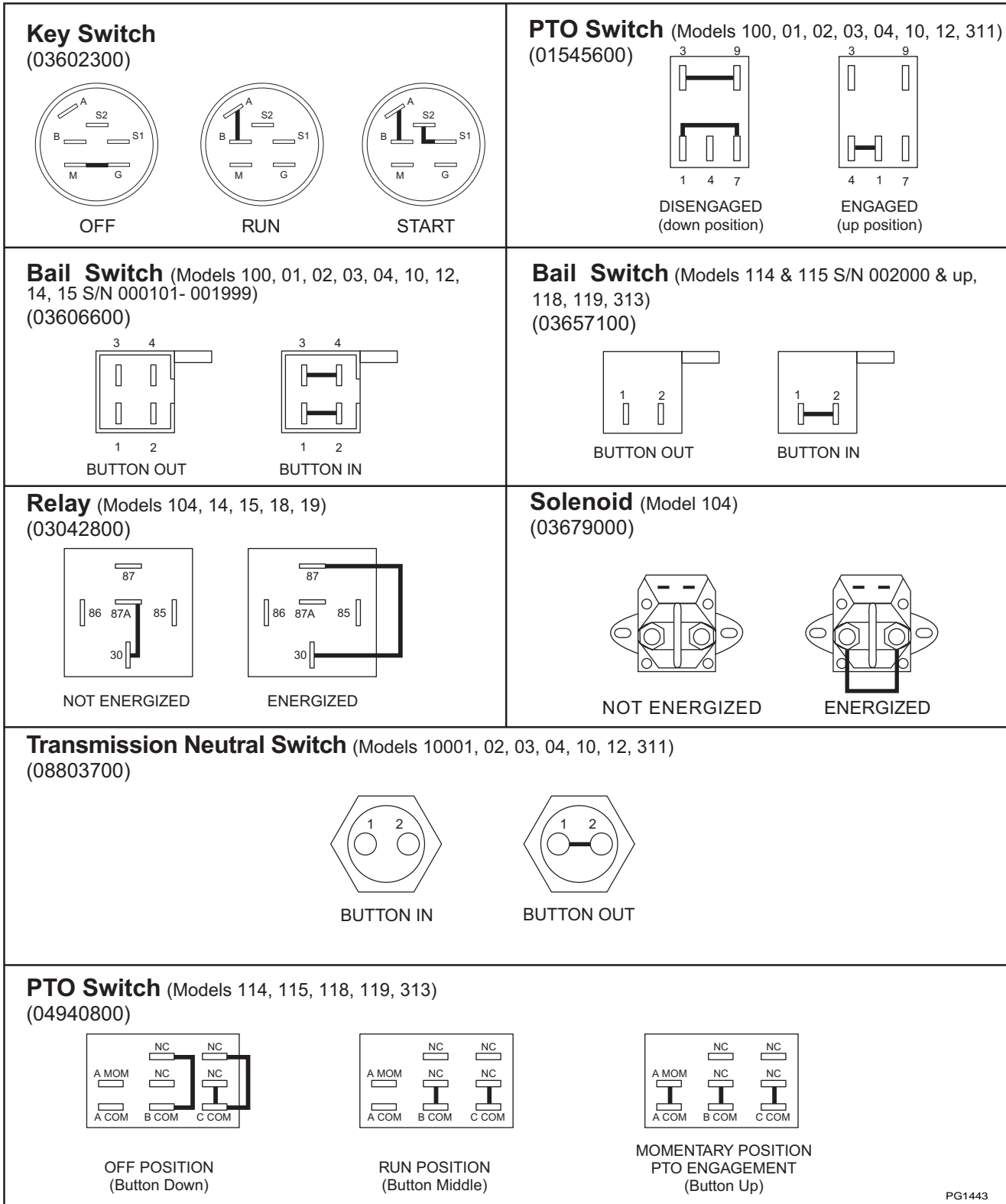
PG1653

CONTINUITY DIAGRAM

Model 988100, 101, 102, 103, 104, 110, 112, 114, 115, 118, 119, 311, 313

The diagrams below show the various states of connection for electrical components.
The solid lines on switches show continuity.

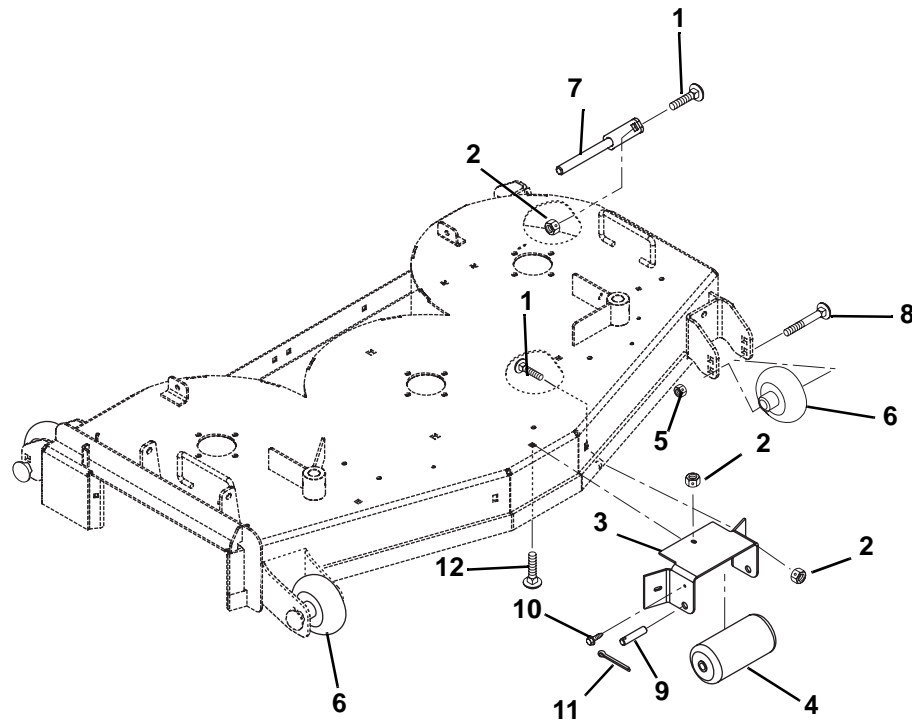
NOTE: All switches are viewed from the rear.



PG1443

48" FLOATING DECK ROLLERS

Model 988103, 104

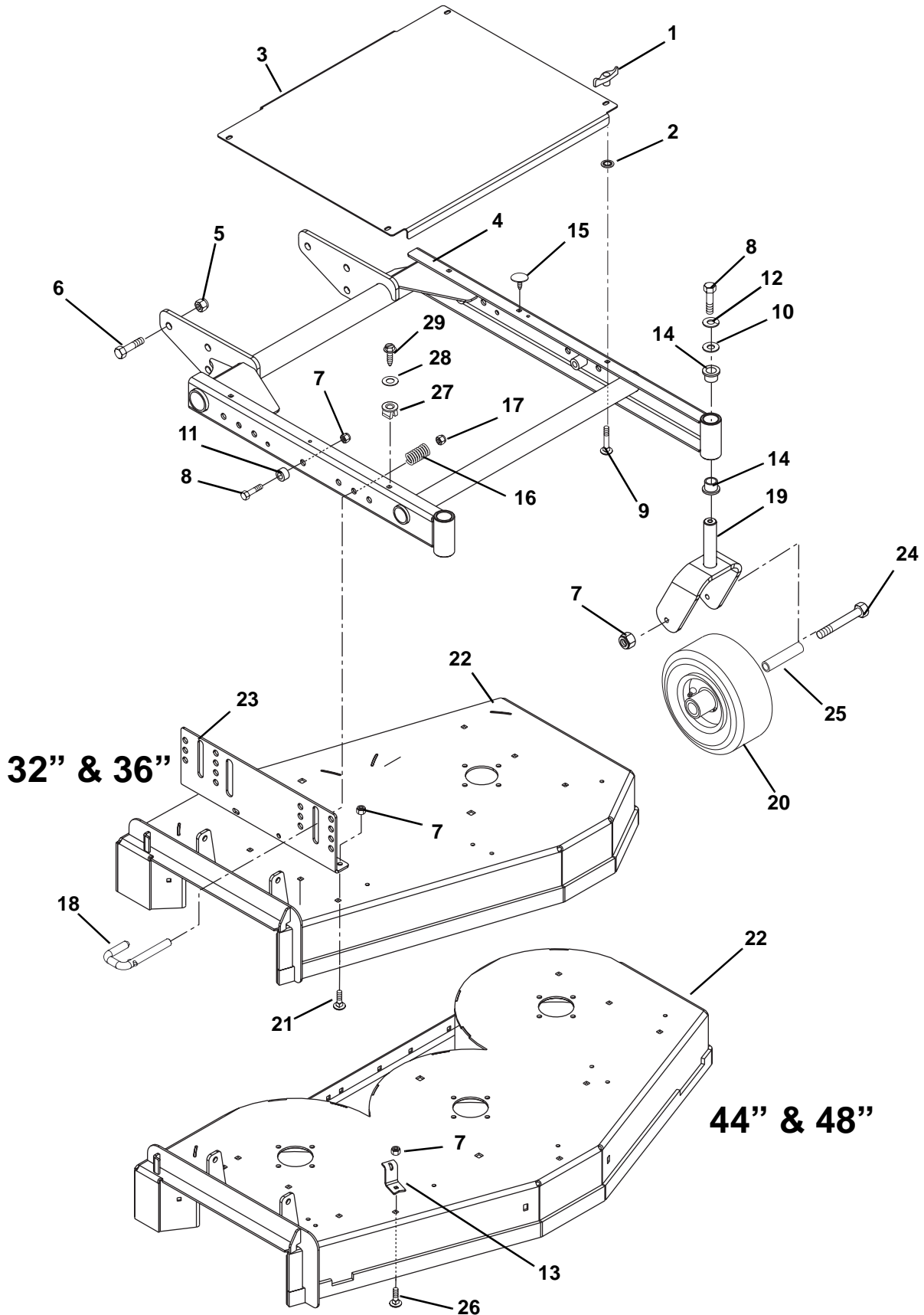


PG1570

Item	Part No.	Qty.	Description
1	06223600	1	Bolt-Round Head Square Neck .38-16 x 1.00 Grade 5
2	06542000	4	Nut-Locking-Top-Flange .38-16
3	04920853	1	Bracket, Anti-Scalp Roller
4	09078100	1	Roller
5	06543600	3	Nut-Locking-Top-Flange .50-13
6	09253700	4	Wheel, 3 x 5
7	04921400	1	Weldment- Wheel Retainer
8	06226500	3	Bolt-Round Head Square Neck .50-13 x 4.50 Grade 2
9	09075300	1	Pin
10	07412000	1	Screw-Tapping .25-20 x .50 Hex Washer Head
11	06713100	1	Pin-Cotter .25 x 2.00
12	06223900	3	Bolt-Round Head Square Neck .38-16 x .75 Grade 5

32", 36", 44" AND 48" FIXED DECK AND MOWER FRAME

Model 988100, 101, 102, 110, 112, 114, 115, 118, 119, 311, 313



PG1510

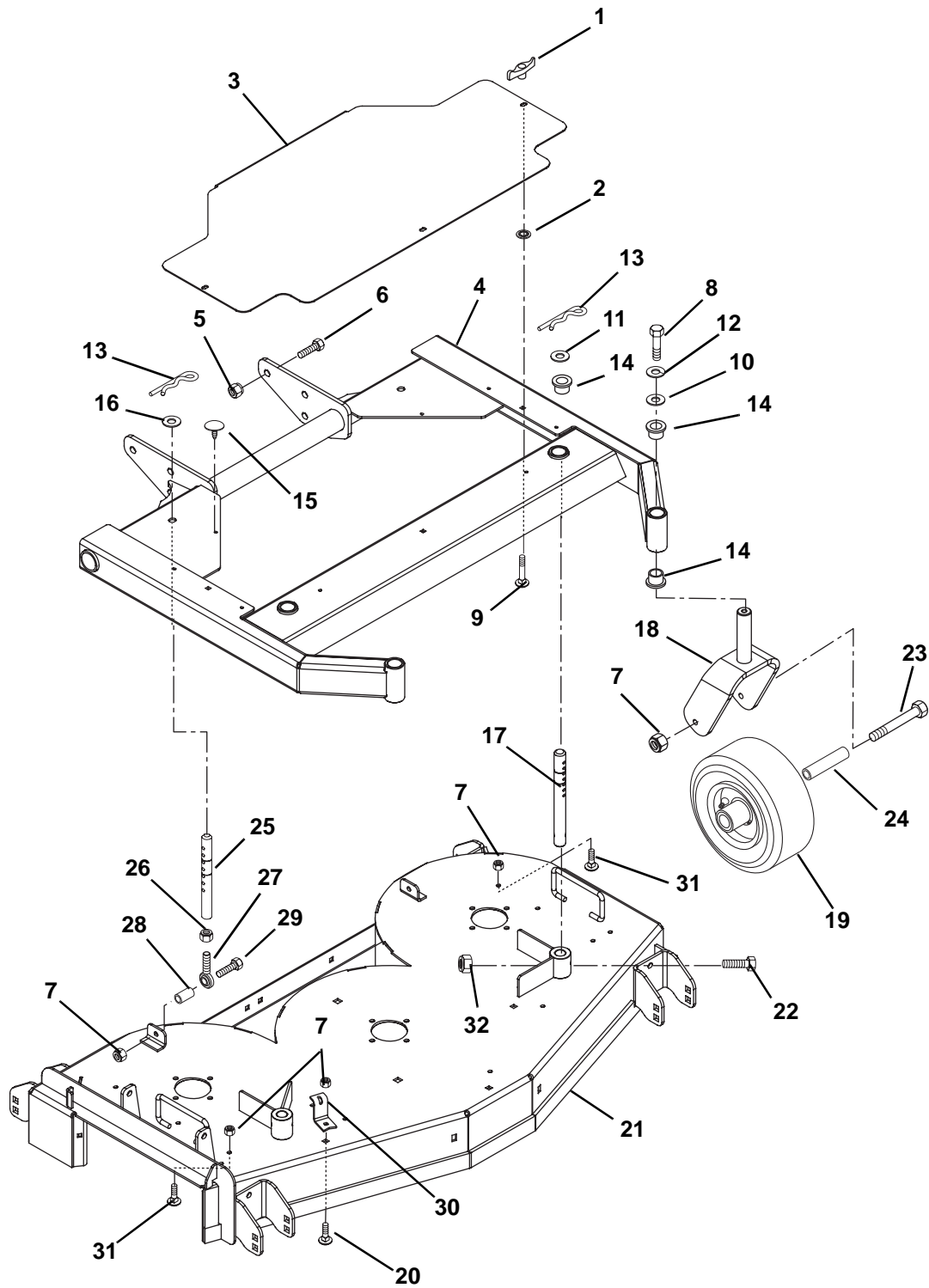
32", 36", 44" AND 48" FIXED DECK AND MOWER FRAME

Model 988100, 101, 102, 110, 112, 114, 115, 118, 119, 311, 313

tem	Part No.	Qty.	Description
1	07531700	4	Knob- Wing .312-18 (100, 101, 102, 110, 112, 114, 115, 118, 119)
2	040380	4	Nut-Push .312 (100, 101, 102, 110, 112, 114, 115, 118, 119)
3	04916753	1	Cover, Belt Pro Mower (100, 101, 114)
	04919853	1	Cover, Belt Pro Mower (102, 115)
	04929753	1	Cover- Belt- Pro- 32 (110, 118, 311, 313)
	04940153	1	Cover- Belt- Pro- 44 (112, 119)
4	04916653	1	Weldment - Mower Frame 36" (100, 101, 114)
	04919753	1	Weldment - Mower Frame 48" (102, 115)
	04940053	1	Weldment - Mower Frame 44" (112, 119)
	04929653	1	Weldment - Mower Frame 32" (110, 118, 311, 313)
5	06540700	6	Nut-Locking-Nylon .625-11
6	05968700	6	Bolt-Hex .62-11 x 1.50
7	06542000	10	Nut-Locking-Top-Flange .38-16 (100, 101, 110, 114, 118, 311, 313)
	06542000	11	Nut-Locking-Top-Flange .38-16 (102, 112, 115, 119)
8	05958000	4	Bolt-Hex .38-16 x 1.25 Grade 5
9	06221800	4	Bolt-Round Head Square Neck .31-18 x 1.00 (100, 101, 102, 110, 112, 114, 115, 118, 119, 313)
10	06443400	2	Washer-Flat-Steel .38 x 1.50 x .125
11	043922	2	Bushing
12	06308800	2	Washer-Locking .38 x .094 Regular
13	09245353	1	Anchor, Spring (102, 112, 115, 119)
14	05533600	4	Bushing-Flange 1.00 x 1.25 x 1.50 x 1.50
15	07503100	2	Bumper Grommet .125 x .25 Dia.
16	051650	4	Spring-Compression .058 x .65 x 2.13
17	06536300	4	Nut-Locking-Center .50-13
18	04920400	4	Pin- Latch
19	04917053	2	Weldment-Caster Fork
20	07157200	2	Wheel 9 x 3.50
21	06223600	6	Bolt-Round Head Square Neck .38-16 x 1.00 Grade 5
22	58804500	1	Kit, 36" Fixed Mower Deck with Decals (100, 101, 114)
	58804600	1	Kit, 48" Fixed Mower Deck with Decals (102, 115)
	58806100	1	Kit, 44" Fixed Mower Deck with Decals (112, 119)
	58804400	1	Kit, 32" Fixed Mower Deck with Decals (110, 118, 311, 313)
23	58806600	1	Kit-Mower Side Support Bracket-Right Hand and Left Hand
24	05925400	2	Bolt-Hex .38-16 x 5.50
25	04916900	2	Bearing .625 x .380 x 4.08
26	06223900	1	Bolt-Round Head Square Neck .38-16 x .75 Grade 5
27	07538100	4	Grommet, Plastic (311, 313)
28	06437300	4	Washer-Flat-Steel .281 x .62 x .065 (311, 313)
29	07412000	4	Screw-Tapping .25-20 x .50 Hex Washer Head (311, 313)

48" FLOATING DECK AND MOWER FRAME

Model 988103, 104



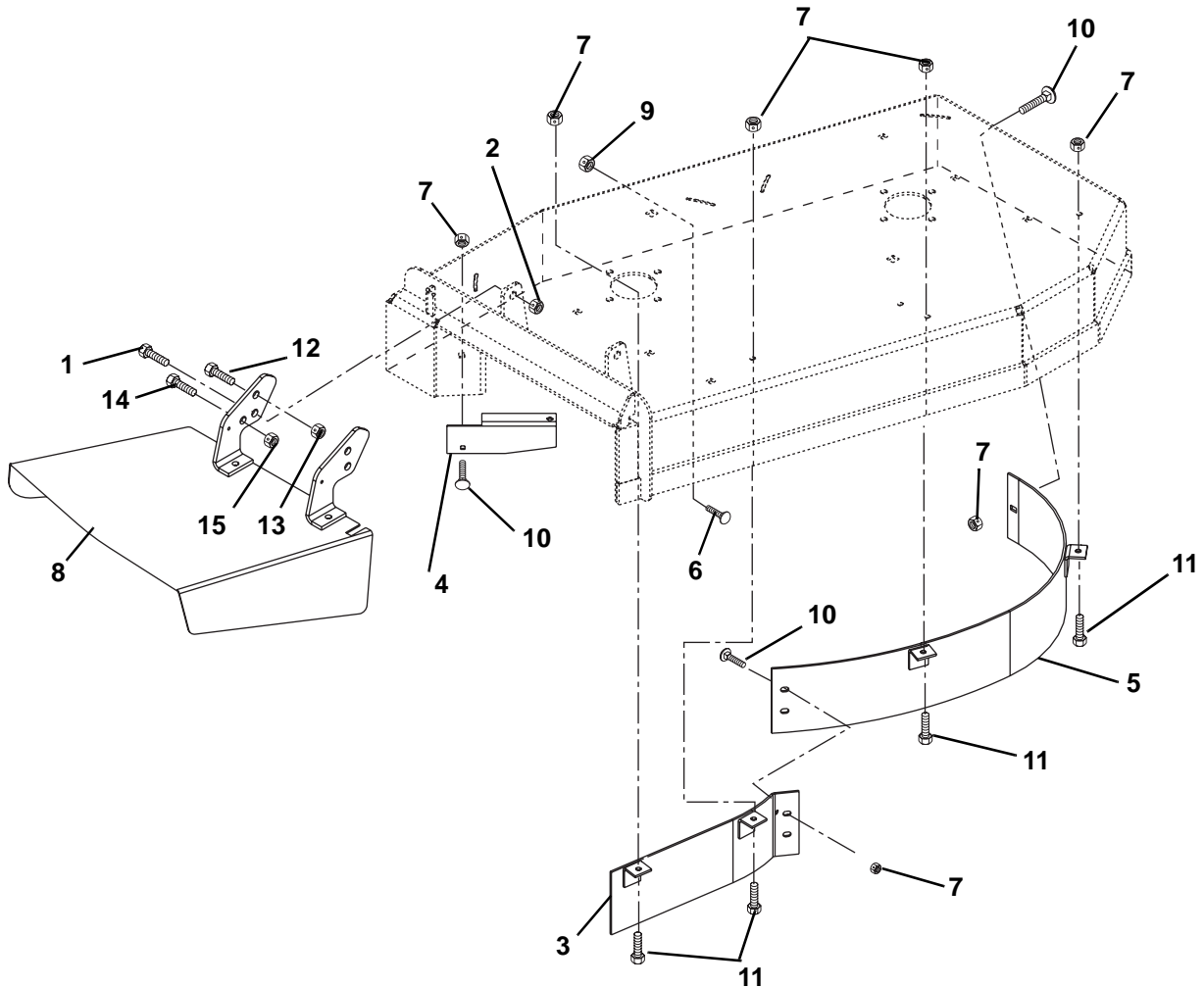
48" FLOATING DECK AND MOWER FRAME

Model 988103, 104

tem	Part No.	Qty.	Description
1	07531700	3	Knob- Wing .312-18
2	040380	3	Nut-Push .312
3	04921153	1	Cover, Belt Pro Mower
4	04921253	1	Weldment-Mower Frame 48" Floating
5	06540700	6	Nut-Locking-Nylon .625-11
6	05968700	6	Bolt-Hex .62-11 x 1.50
7	06542000	11	Nut-Locking-Top-Flange .38-16
8	05958000	2	Bolt-Hex .38-16 x 1.25 Grade 5
9	06221800	3	Bolt-Round Head Square Neck .31-18 x 1.00
10	06443400	2	Washer-Flat-Steel .38 x 1.50 x .125
11	06444700	2	Washer-Flat-Steel .875 x 1.50 x .120
12	06308800	2	Washer-Locking .38 x .094 Regular
13	06713300	4	Pin-Hair-Internal .17 x .68 x 3.50
14	05533600	6	Bushing-Flange 1.00 x 1.25 x 1.50 x 1.50
15	07503100	8	Bumper Grommet .125 x .25 Dia.
16	06442900	2	Washer-Flat-Steel .688 x 1.75 x .134
17	04920900	2	Rod- Front Height Adjustment
18	04917053	2	Weldment-Caster Fork
19	07157200	2	Wheel 9 x 3.50
20	06223900	1	Bolt-Round Head Square Neck .38-16 x 1.00 Grade 5
21	58804700	1	Kit, 48" Floating Mower Deck with Decals
22	05952700	2	Bolt-Hex .25-20 x 2.25 Grade 8
23	05925400	2	Bolt-Hex .38-16 x 5.50
24	04916900	2	Bearing .625 x .380 x 4.08
25	04921000	2	Rod- Rear Height Adjustment
26	06534700	2	Nut-Jam .375-24
27	051425	2	Rod End, .38 Right Hand
28	05522100	2	Bushing-Sleeve .377 x .624 x .37
29	05957900	2	Bolt-Hex .38-16 x 1.50 Grade 5
30	09245353	1	Anchor, Spring
31	06223900	6	Bolt-Round Head Square Neck .38-16 x .75 Grade 5
32	06543500	2	Nut-Locking-Top-Flange .25-20

32" AND 36" DISCHARGE CHUTE AND BAFFLES

Model 988100, 101, 110, 114, 118, 311, 313

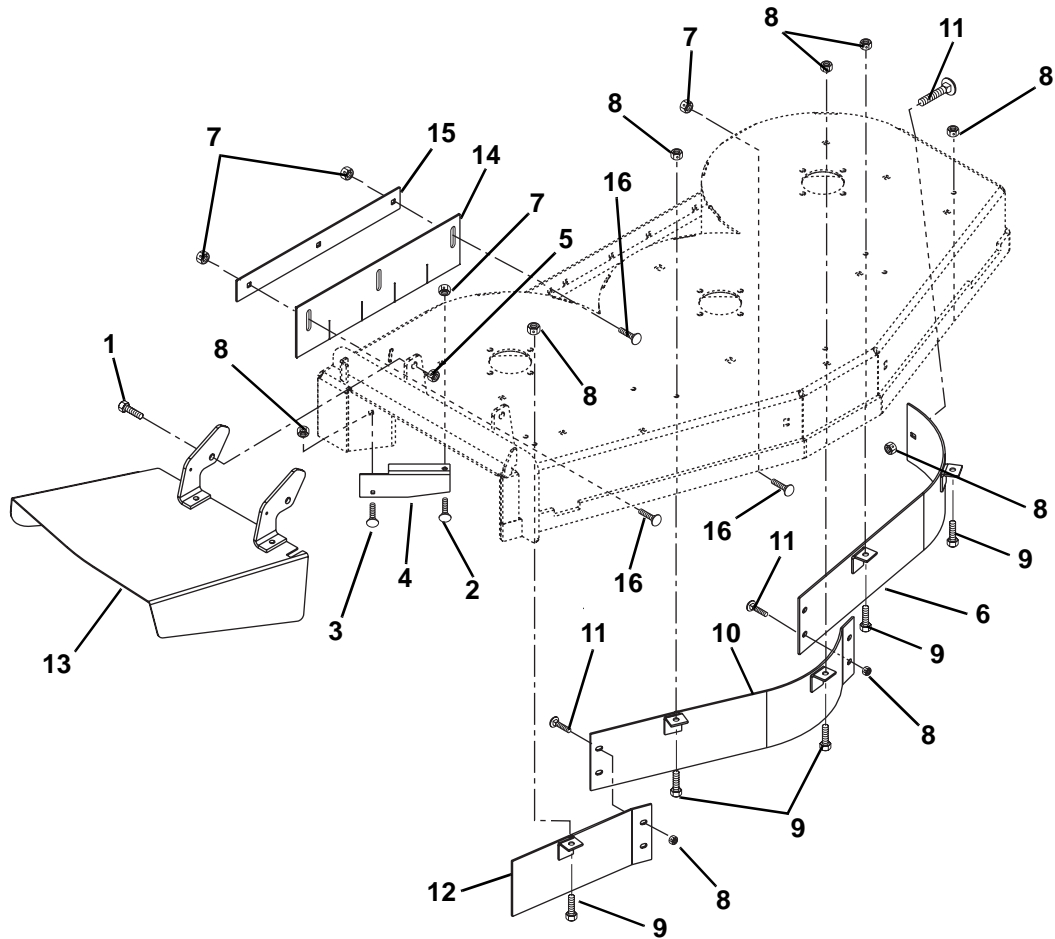


PD1520

Item	Part No.	Qty.	Description
1	05958900	2	Bolt-Hex .50-13 x 1.25 Grade 5
2	06540600	2	Nut-Locking-Nylon .50-13
3	04916351	1	Weldment- Upper Baffle Right (100, 101, 114)
	04929551	1	Weldment- Baffle-Right Front- 32" (110, 118, 311, 313)
4	04930251	1	Deflector 32"
5	04916251	1	Weldment- Upper Baffle Left (100, 101, 114)
	04929451	1	Weldment- Baffle-Left Front- 32" (110, 118, 311, 313)
6	06223600	2	Bolt-Round Head Square Neck .38-16 x 1.00 Grade 5
7	06543100	8	Nut-Locking-Top-Flange .31-18
8	04917853	1	Chute-Discharge
9	06542000	2	Nut-Locking-Top-Flange .38-16
10	06215700	4	Bolt-Round Head Square Neck .31-18 x .75 Grade 5
11	05947000	4	Bolt-Hex .31-18 x .75 Grade 5
12	05959400	1	Bolt-Hex .38-16 x .75 Grade 5 (311, 313)
13	06529600	1	Nut-Locking-Center .38-16 (311, 313)
14	05946800	1	Bolt-Hex .25-20 x .75 Grade 5 (110, 311, 313)
15	06531000	1	Nut-Locking-Nylon .25-20 (110, 311, 313)

44" AND 48" DISCHARGE CHUTE AND BAFFLES

Model 988102, 103, 104, 112, 115, 119

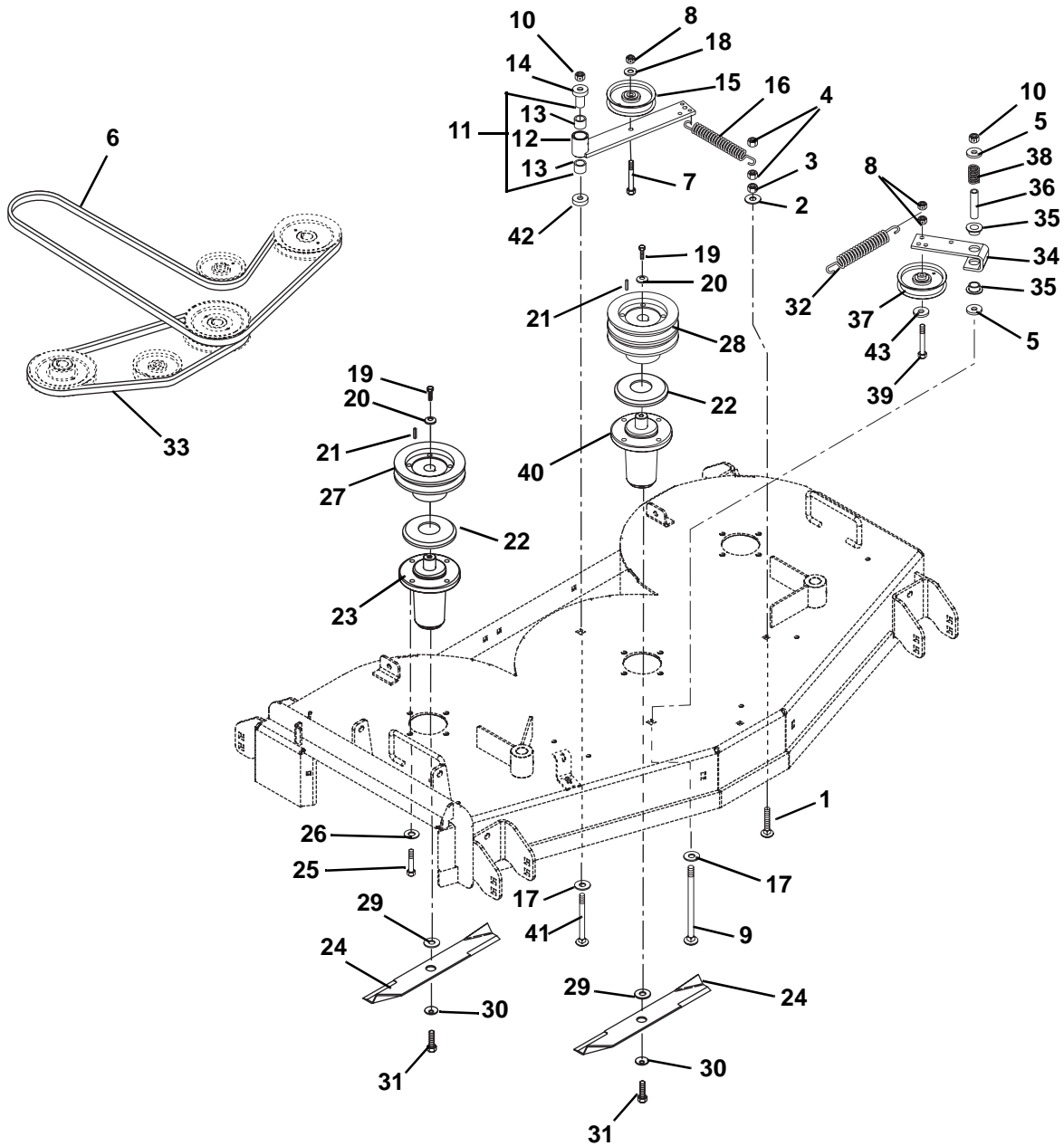


PD1540

Item	Part No.	Qty.	Description
1	05958900	2	Bolt-Hex .50-13 x 1.25 Grade 5
2	06223900	1	Bolt-Round Head Square Neck .38-16 x .75 Grade 5
3	06215700	1	Bolt-Round Head Square Neck .31-18 x 1.00 Grade 5
4	04939851	1	Deflector 44"/48"
5	06540600	2	Nut-Locking-Nylon .50-13
6	04918951	1	Weldment- Upper Baffle Left (102, 103, 104, 115)
	04938951	1	Weldment- Baffle- Left Front-44" (112, 119)
7	06542000	8	Nut-Locking-Top-Flange .38-16
8	06543100	11	Nut-Locking-Top-Flange .31-18
9	05947000	5	Bolt-Hex .31-18 x .75 Grade 5
10	04919051	1	Weldment- Upper Baffle Center (102, 103, 104, 115)
	04939051	1	Weldment-Baffle-Center Front- 44" (112, 119)
11	06215700	5	Bolt-Round Head Square Neck .31-18 x .75 Grade 5
12	04919651	1	Weldment, Right Hand Baffle-Upper (102, 103, 104, 115)
	04939151	1	Weldment-Baffle-Right Front- 44" (112, 119)
13	04917853	1	Chute-Discharge
14	04919300	2	Skirt- Rubber
15	04919251	2	Strip- Striper Mount
16	06223600	7	Bolt-Round Head Square Neck .38-16 x 1.00 Grade 5

44" AND 48" BELTS, IDLERS AND BLADES

Model 988102, 103, 104, 112, 115, 119



PF1550

Item	Part No.	Qty.	Description
1	06224200	1	Bolt-Round Head Square Neck .38-16 x 1.50 Grade 5
2	06308800	1	Washer-Locking .38 x .094 Regular
3	06529400	1	Nut-Hex .38-16
4	06529600	2	Nut-Locking-Center .38-16
5	415543	2	Washer-Flat-Steel .531 x 1.25 x .10
6	07240200	1	V-Belt B-Section 39.38 x .65 (102, 103, 104, 115)
	07240300	1	V-Belt B-Section 42.25 x .65 (112, 119)
7	06225400	1	Bolt-Round Head Square Neck .38-16 x 2.75 Grade 5

44" AND 48" BELTS, IDLERS AND BLADES

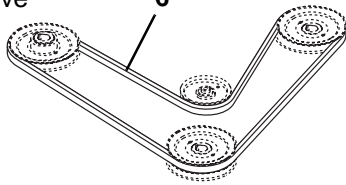
Model 988102, 103, 104, 112, 115, 119

Item	Part No.	Qty.	Description
8	06529600	3	Nut-Locking-Center .38-16
9	06225000	1	Bolt-Round Head Square Neck .50-13 x 3.50 Grade 5
10	06536300	2	Nut-Locking-Center .50-13
11	09286500	1	Assembly, Idler Pivot Arm (Contains Items 12 & 13)
12	09286451	AR	Weldment, Idler Pivot Arm
13	05435800	AR	Bearing, 1.00 x 1.12 x .75
14	07053100	1	Bearing, Pedestal Powdered Metal
15	07327800	1	Idler-Flat 4.00 x .38 (2.00 W)
16	08336000	1	Spring, Extension
17	06441500	2	Washer-Flat-Steel .755 x 1.375 x .062
18	446470	1	Washer-Flat-Steel .375 x 1.125 x .065
19	05974500	3	Bolt-Hex .38-16 x 1.00 Grade 8
20	00597000	3	Washer-Cupped-Serrated .375
21	06611200	3	Key, Square .25 x .25 x 1.00 RC 40-50
22	09238200	3	Slinger-Dust
23	59201000	2	Assembly, Maintenance Free Spindle
24	04919100	3	Blade- Mower
	04920600	2	Blade- Mulching
25	05948700	12	Bolt-Hex .38-16 x 1.00 Grade 5
26	06308800	12	Washer-Locking .38 x .094 Regular
27	09242500	2	Pulley
28	09253200	1	Sheave, Double (5.25)
29	06435200	3	Washer, Flat .64 x 1.81 x .250
30	06445700	3	Washer-Bellville .63 x 1.625 x .14
31	05978900	3	Bolt-Hex .62-18 x 1.75 Grade 8
32	08336100	1	Spring, Extension
33	07202900	1	V-Belt 5L-Section 49.97 x .672
34	034120	1	Arm, Idler Pivot
35	010174	2	Bushing-Flange .762 x 1.00 x .58 x 1.48 Nylon
36	034119	1	Spacer .56 x .75 x 2.44 Steel
37	07327600	1	V-Idler, 4.00 x .38
38	020444	1	Spring-Compression .085 x .80 x 1.00
39	05962900	1	Bolt-Hex .38-16 x 2.25 Grade 5
40	59202600	1	Spindle Assembly (Center)
41	06218600	1	Bolt-Round Head Square Neck .50-13 x 3.75
42	06445000	1	Washer-Flat-Steel .515 x 1.625 x .25
43	06436200	1	Washer-Flat-Steel .406 x .812 x .065

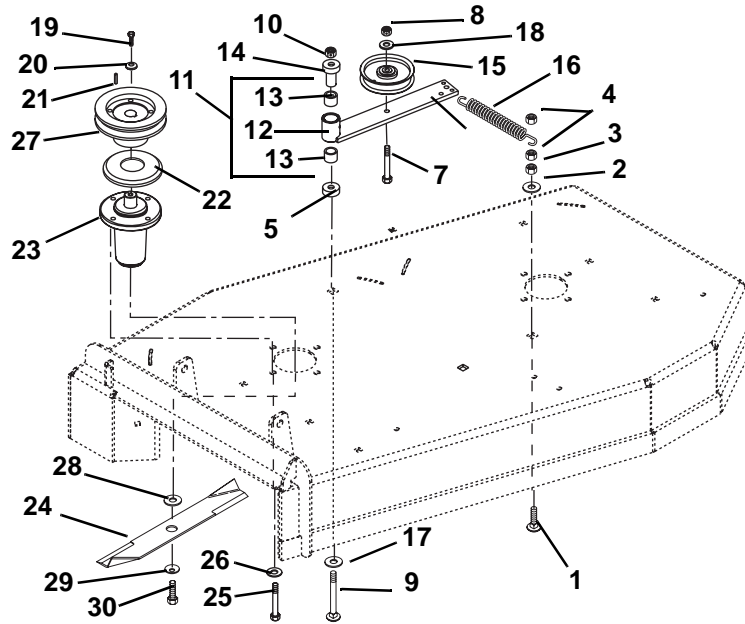
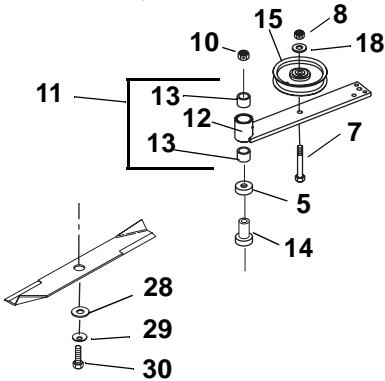
32" AND 36" BELTS, IDLERS AND BLADES

Model 988100, 101, 110, 114, 118, 311, 313

Engine / Clutch Sheave



Models 988311, 313



PG1530

Item	Part No.	Qty.	Description
1	06224200	1	Bolt-Round Head Square Neck .38-16 x 1.50 Grade 5
2	06308800	1	Washer-Locking .38 x .094 Regular
3	06529400	1	Nut-Hex .38-16
4	06529600	1	Nut-Locking-Center .38-16
5	06445000	1	Washer-Flat-Steel .515 x 1.625 x .25 (105, 120)
6	07240100	1	V-Belt B-Section 36.70 x .650 (100, 101, 114)
	07240000	1	V-Belt B-Section 35.47 x .650 (110, 118, 311, 313)
7	06225400	1	Bolt-Round Head Square Neck .38-16 x 2.75 Grade 5
8	06529600	1	Nut-Locking-Center .38-16
9	06218600	1	Bolt-Round Head Square Neck .50-13 x 3.75 Grade 5
10	06536300	1	Nut-Locking-Center .50-13
11	09286500	1	Assembly, Idler Pivot Arm (Contains Items 12 & 13)
12	09286451	AR	Weldment, Idler Pivot Arm
13	05435800	AR	Bearing, 1.00 x 1.12 x .75
14	07053100	1	Bearing, Pedestal Powdered Metal
15	07327800	1	Idler-Flat 4.00 x .38 (2.00 W)
16	08336000	1	Spring, Extension
17	06441500	1	Washer-Flat-Steel .755 x 1.375 x .062
18	446470	1	Washer-Flat-Steel .375 x 1.125 x .065
19	05974500	2	Bolt-Hex .38-16 x 1.00 Grade 8
20	00597000	2	Washer-Cupped-Serrated .375
21	06611200	3	Key, Square .25 x .25 x 1.00 RC 40-50
22	09238200	2	Slinger-Dust
23	59201000	2	Assembly, Maintenance Free Spindle
24	04916400	2	Blade- Mower (100, 101, 114)
	04917900	2	Blade- Mulching (100, 101, 114)
	04919100	2	Blade- Mower (16.25) (110, 118)
	04936000	2	Blade, 32" (16.25) (311, 313)
	04920600	2	Blade- Mulching (16.12) (110, 118)
25	05948700	8	Bolt-Hex .38-16 x 1.00 Grade 5
26	06308800	8	Washer-Locking .38 x .094 Regular
27	09242500	2	Pulley
28	06435200	2	Washer, Flat .64 x 1.81 x .250
29	06445700	2	Washer-Bellville .63 x 1.625 x .14
30	05978900	2	Bolt-Hex .62-18 x 1.75 Grade 8



GRAVELY
A Division of Ariens Company
655 West Ryan Street
P.O. Box 157
Brillion, WI 54110-0157
920-756-2141
Fax 920-756-2407
www.gravelly.com