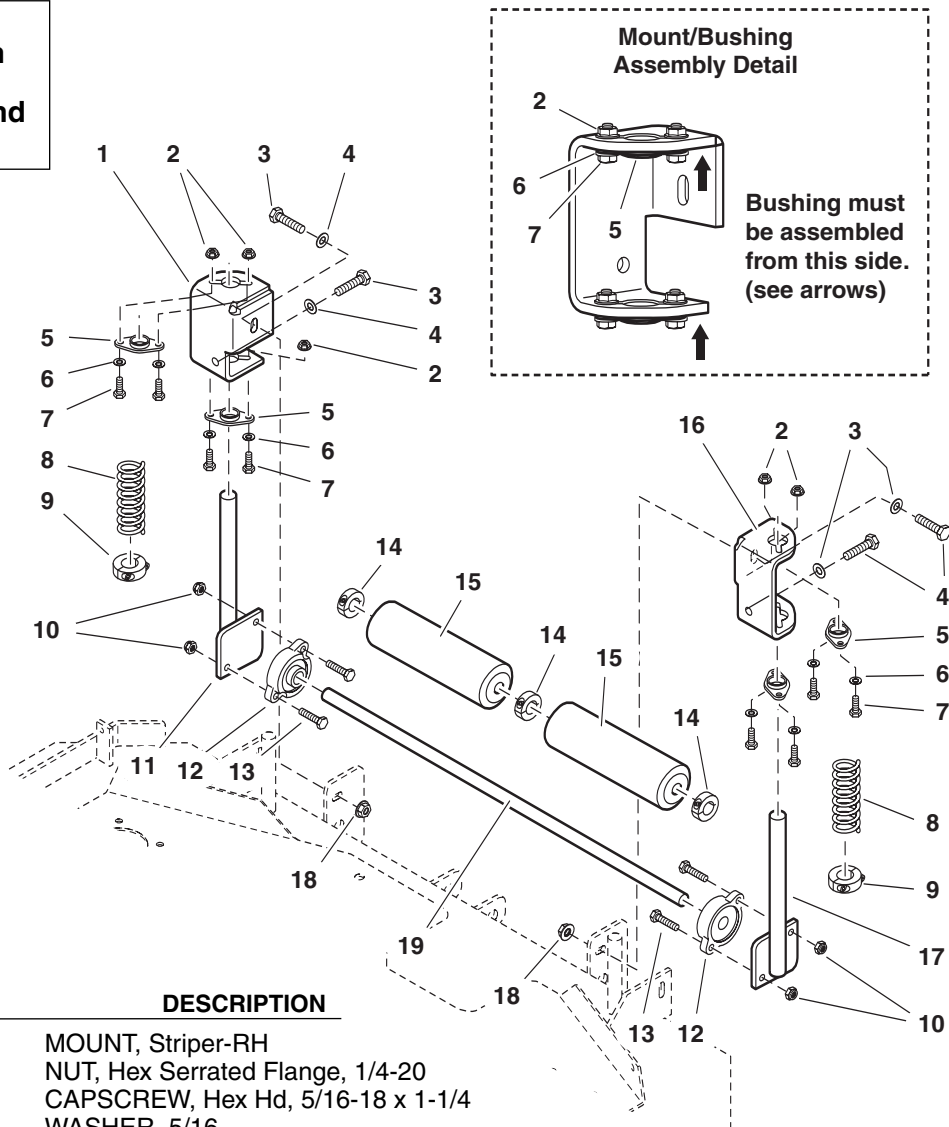


# Striper Roller Upgrade Kit

## Part No. 48607

For All Derby Colts

This kit replaces the roller mounts with a new version that includes bushings to provide extended usage and reduce wear.



REF NO.	PART NO.	QTY.	DESCRIPTION
1	2848604	1	MOUNT, Striper-RH
2	25126	8	NUT, Hex Serrated Flange, 1/4-20
3	25011-10	4	CAPSCREW, Hex Hd, 5/16-18 x 1-1/4
4	25155	4	WASHER, 5/16
5	23155	4	BUSHING
6	25154	8	WASHER, 1/4
7	25010-6	8	CAPSCREW, Hex Head, 1/4-20 x 3/4
8	22845	2	SPRING, Compression
9	20594	2	COLLAR, Double Split, 3/4
10	25095	4	NUT, Hex, Nylon Lock, 1/4-20
11	2846901	1	SHAFT, Striper Guide-RH
12	22846	2	BEARING, Flange, 5/8
13	25010-10	4	CAPSCREW, Hex Hd, 1/4-20 x 1-1/4
14	20441	3	COLLAR, Split, 5/8
15	20785	2	ROLLER
16	2848603	1	MOUNT, Striper-LH
17	2846900	1	SHAFT, Striper Guide-LH
18	25139	4	NUT, Hex, Serrated Flange, 5/16-18
19	46903	1	SHAFT, Roller Mount