



**ULTRA VAC® QDS
LAZER Z® HP MODELS**

**For Serial Nos.
790,000 & Higher**
Part No. 4500-421 Rev. B

Parts Manual

EXMARK PARTS PLUS

PARTS

OVERNIGHT
OR *FREE**

If your Exmark dealer does not have the Exmark part in stock, Exmark will get the parts to the dealer the next business day or the part will be FREE Guaranteed!! (Some restrictions apply. See your participating Exmark Dealer for details.)



**READ OPERATOR'S MANUAL BEFORE
OPERATING OR SERVICING EXMARK EQUIPMENT**

TABLE OF CONTENTS

<u>Description</u>	<u>Page</u>
Blower Assembly 44" and 48"	3-6
Blower Assembly 46", 50", 52" and 56"	7-10
Decals	16
Deck Components and Front Weights	15
Hood and Screen Assembly	13
Lower Hopper Assembly	11-12
Hopper Assembly	14

BLOWER ASSEMBLY 44" and 48"

Item	Part No.	Description	Qty.
1*	103-2874-03	Wld, Blower Mount	1
2	103-3815	Wld, Impeller	1
3+	1-653346	Bearing, SPH. OD	2
4	1-513013	Housing, Flange	4
5+	103-1047	Sheave, Blower	1
6	103-3589	Wld, Upper Housing (1-652345-03) With Decals	1
7	1-653331	Spring, Idler	1
8	3290-357	Nut, Whizlock 3/8-16	5
9	323-7	Screw, HH 3/8-16 x 1 1/4	1
10	1-653600	Bearing	2
11	323-12	Screw, HH 3/8-16 x 2 1/2	2
12	3256-4	Washer, 3/8 Std	1
13	323-8	Screw, HH 3/8-16 x 1 1/2	1
14	1-353054	Latch, Grass Catcher	1
15	3296-39	Nut, Nyloc 3/8-16	1
16	1-653322	Pulley, Idler	1
17	103-0130	Bushing, Idler Pivot	1
18	103-1103	Pulley, Idler	1
19	103-2876	Asm , Idler W/Bushings Zerk, & Decal	1
20	3230-18	Bolt, Carriage 5/16-18 x 5/8	6
21	1-513208	Washer, Spring Disk	1

Item	Part No.	Description	Qty.
22	3219-6	Nut, Hex 5/8-18	1
23	3220-5	Nut, Jam 1/2-20	1
24	1-513435	Washer, Spring Disk	1
25	1-653365	Spacer	1
26	1-653366	Hub	1
27	32128-20	Nut, Whizlock 5/16-18	6
28	3217-6	Nut, Hex 5/16-18	1
29	321-3	Screw, HH 1/4-20 x 5/8	4
30	32128-33	Nut, Whizlock 1/4-20	4
31	1-303334	Washer, Spring Disk 5/16	1
32	3256-24	Washer, 3/8 SAE	1
33	103-0126	Bushing, Locator	1
34	3257-32	Key, Woodruff #61 5/8 x 3/16	1
35	103-3585	Cover, Bearing (103-3586-03) With Decal	1
36	3296-47	Nut, Nyloc 5/16-18	2
37	3256-3	Washer, 5/16 Std	2
38	3274-18	Screw, Socket HD 5/16-18 x 1 1/4	1
39	302-19	Zerk, 1/8-28 Straight	1
40	1-806323	Roll pin	1
41	1-353050	Pin, Grass Catcher	1
42	3274-107	Screw, Socket But HD 3/8-16 x 1 3/4	1

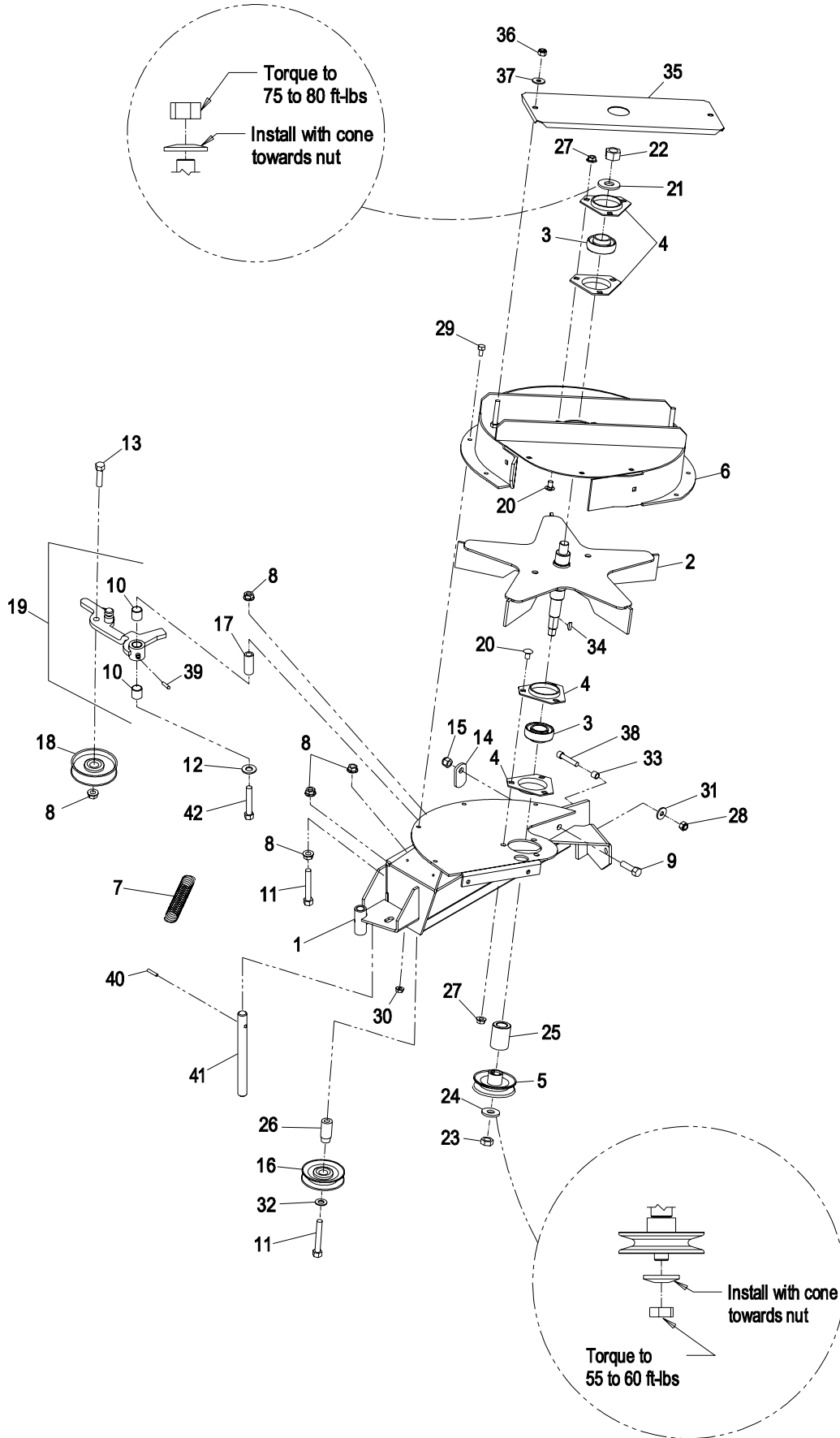
Exmark black touch up spray paint – gloss black.

Kit 103-0583 is available to repair the welded-on accessory mounting tube on all 44"-72" decks.

✚ Apply Mobil HTS grease (P/N 103-5217 1.5 oz packet) (or a food-grade antisieze) on bore of sheave and bearings.

* Includes items 40 and 41.

BLOWER ASSEMBLY 44" and 48"



BLOWER ASSEMBLY 44" and 48" (cont.)

Item	Part No.	Description	Qty.
1	3290-357	Nut, Whizlock 3/8-16.....	3
2	323-11	Screw, HH 3/8-16 x 2 1/4	3
3	3256-4	Washer, 3/8 Std	3
4	103-4764	Chute, Blower	1
5	1-653352-01	Bumper	1
6	3290-500	Screw, PPH #10-24 x 5/8	4
7	321-3	Screw, HH 1/4-20 x 5/8	4
8	32128-33	Nut, Whizlock 1/4-20.....	11
9	3229-11	Bolt, Carriage 1/4-20 x 5/8	3
10	1-803075	Screw, CRTH #10-24 x 3/4	3
11	3290-148	Nut, Whizlock #10-24.....	3
12	1-803076	Screw, CRTH 1/4-20 x 3/4	2
13	1-653596-03	Plate, Blower Backing	1

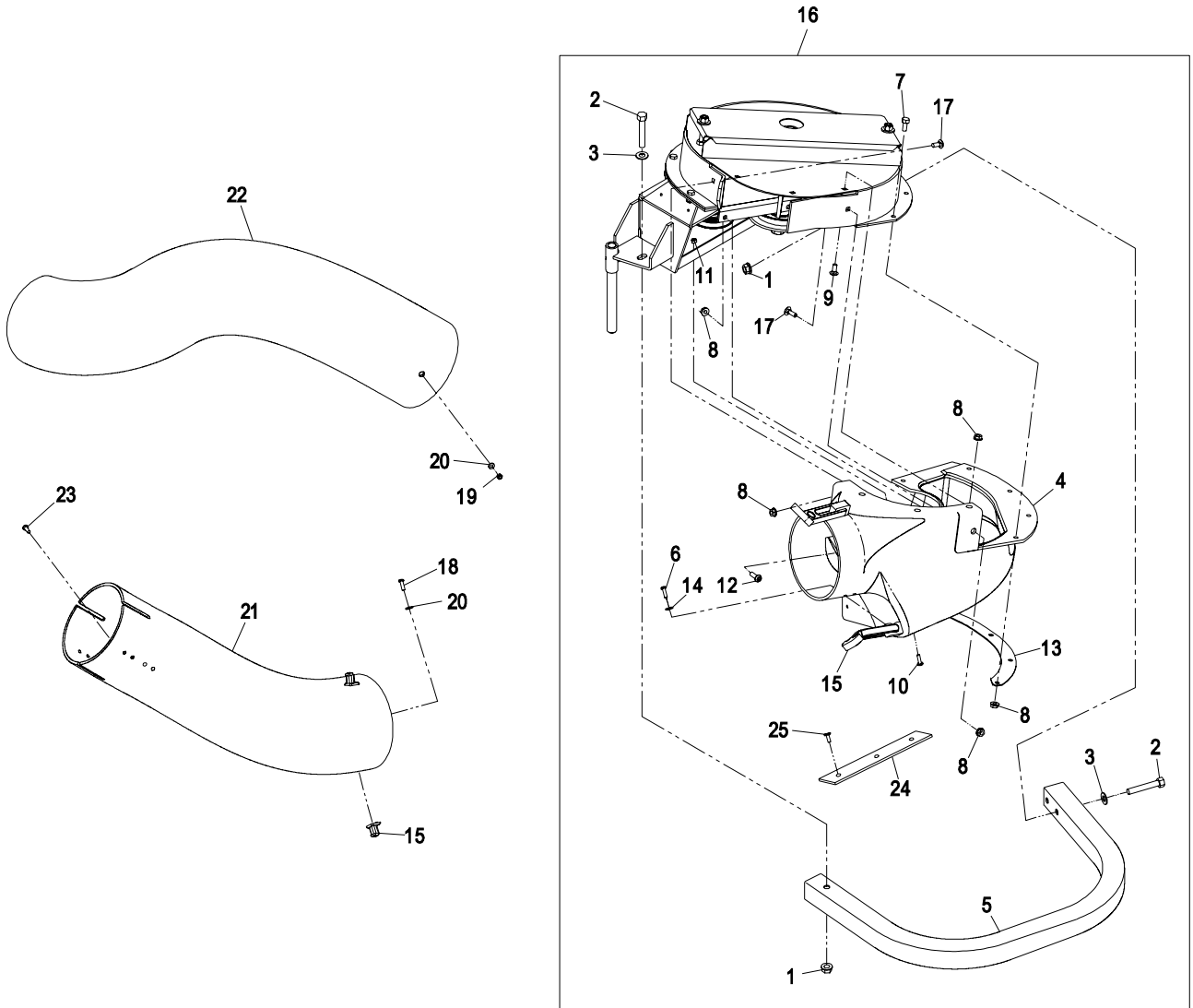
Item	Part No.	Description	Qty.
14	3256-14	Washer, #10 Std.....	4
15	1-653429	Asm, Latch.....	2
16	103-0401	Asm, Blower (44 & 48) (Includes All Items From Pg 3 & Items 1-15 & Decals) ...	1
17	3229-1	Bolt, Carriage 1/4-20 x 3/4	2
18	3290-500	Screw, PPH #10-24 x 5/8.....	2
19	3296-2	Nut, Nyloc #10-24.....	3
20	3256-14	Washer, #10 Std.....	5
21	109-2040	Tube, Lower.....	1
22	109-2034	Tube, Upper.....	1
23	32105-13	Screw, Slotted HH #10-24 x 3/4	3
24	103-4752-03	Plate, Reinforcement	1
25	114439	Rivet	3

Exmark red touch up paint (spray paint - P/N 1-850337 - .6 oz liquid bottle - P/N 103-9140).

Exmark black touch up spray paint – gloss black.

Kit 103-0583 is available to repair the welded-on accessory mounting tube on all 44"-72" decks.

BLOWER ASSEMBLY 44" and 48" (cont.)



BLOWER ASSEMBLY 46", 50", 52" and 56"

Item	Part No.	Description	Qty.
1*	109-1119-03	Wld, Blower Mount	1
2	103-3815	Wld, Impeller	1
3+	1-653346	Bearing, SPH. OD	2
4	1-513013	Housing, Flange	4
5+	103-1047	Sheave, Blower	1
6	103-3589	Wld, Upper Housing (1-652345-03) With Decals	1
7	1-653331	Spring, Idler	1
8	3290-357	Nut, Whizlock 3/8-16	5
9	3274-107	Screw, Socket But HD 3/8-16 x 1 3/4	1
10	1-653600	Bearing	2
11	323-12	Screw, HH 3/8-16 x 2 1/2	2
12	3256-4	Washer, 3/8 Std	1
13	323-8	Screw, HH 3/8-16 x 1 1/2	2
14	1-353054	Latch, Grass Catcher	2
15	3296-39	Nut, Nyloc 3/8-16	1
16	1-653322	Pulley, Idler	1
17	103-0130	Bushing, Idler Pivot	1
18	103-1103	Pulley, Idler	1
19	103-2876	Asm , Idler W/Bushings Zerk, & Decal	1
20	3230-18	Bolt, Carriage 5/16-18 x 5/8	6

Item	Part No.	Description	Qty.
21	1-513208	Washer, Spring Disk	1
22	3219-6	Nut, Hex 5/8-18	1
23	3220-5	Nut, Jam 1/2-20	1
24	1-513435	Washer, Spring Disk	1
25	1-653365	Spacer	1
26	1-653366	Hub	1
27	32128-20	Nut, Whizlock 5/16-18	6
28	3217-6	Nut, Hex 5/16-18	1
29	321-3	Screw, HH 1/4-20 x 5/8	4
30	32128-33	Nut, Whizlock 1/4-20	4
31	1-303334	Washer, Spring Disk 5/16	1
32	3256-24	Washer, 3/8 SAE	1
33	103-0126	Bushing, Locator	1
34	3257-32	Key, Woodruff #61 5/8 x 3/16	1
35	103-3585	Cover, Bearing (103-3586-03) With Decal	1
36	3296-47	Nut, Nyloc 5/16-18	2
37	3256-3	Washer, 5/16 Std	2
38	3274-18	Screw, Socket HD 5/16-18 x 1 1/4	1
39	302-19	Zerk, 1/8-28 Straight	1
40	1-806323	Roll pin	1
41	1-353050	Pin, Grass Catcher	1

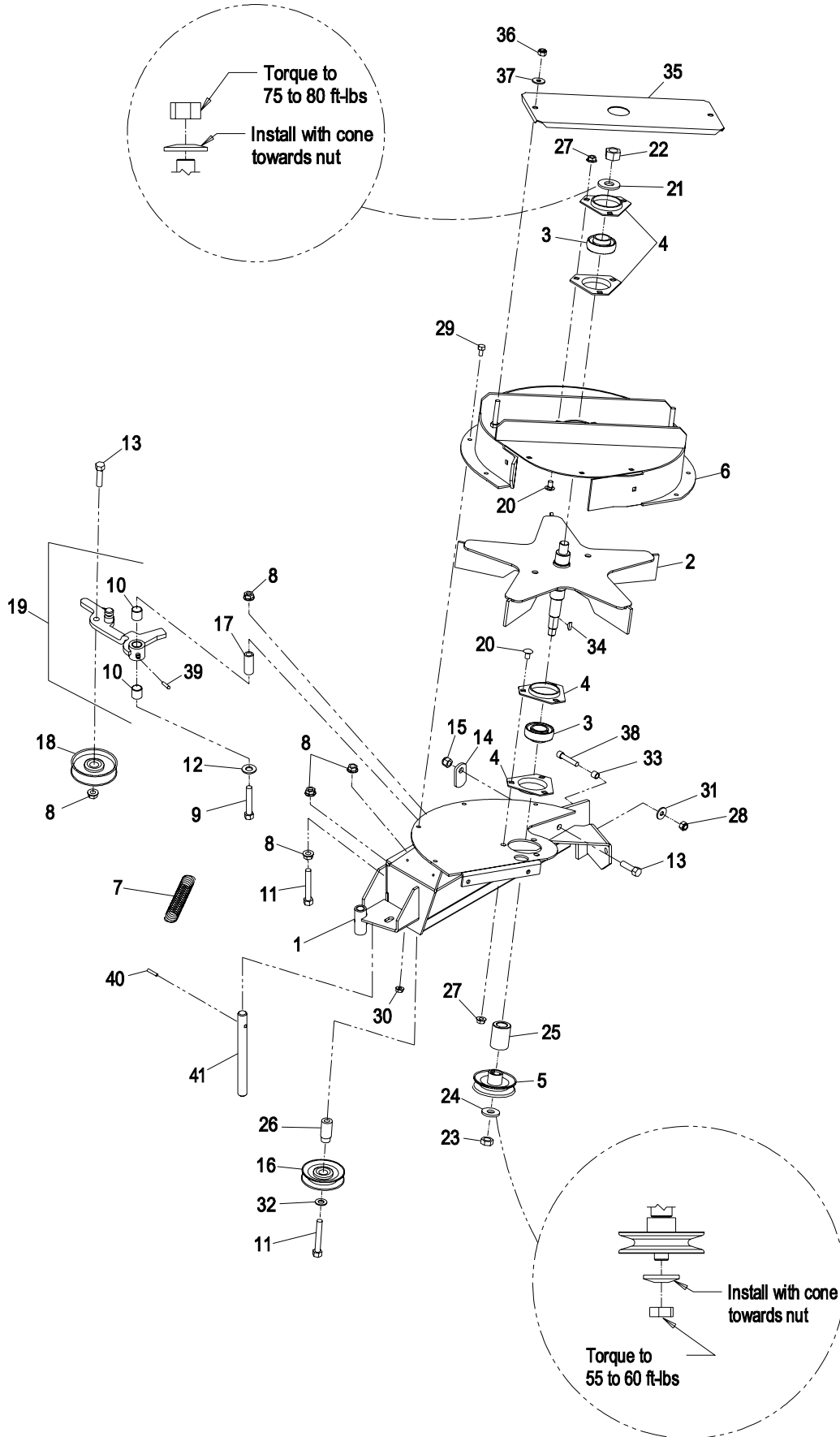
Exmark black touch up spray paint – gloss black.

Kit 103-0583 is available to repair the welded-on accessory mounting tube on all 44"-72" decks.

✚ Apply Mobil HTS grease (P/N 103-5217 1.5 oz packet) (or a food-grade antisieze) on bore of sheave and bearings.

* Includes items 40 and 41.

BLOWER ASSEMBLY 46", 50", 52" and 56"



BLOWER ASSEMBLY 46", 50", 52" and 56" (cont.)

Item	Part No.	Description	Qty.
1	3290-357	Nut, Whizlock 3/8-16.....	3
2	323-11	Screw, HH 3/8-16 x 2 1/4	2
3	3256-4	Washer, 3/8 Std	3
4	109-1985	Chute, Blower (46, 50 & 56)	1
	103-4764	Chute, Blower (52)	1
5	109-1122-01	Bumper	1
6	3290-500	Screw, PPH #10-24 x 5/8	4
7	321-3	Screw, HH 1/4-20 x 5/8	4
8	32128-33	Nut, Whizlock 1/4-20	11
9	3229-11	Bolt, Carriage 1/4-20 x 5/8	3
10	1-803075	Screw, CRTH #10-24 x 3/4 (46,50&56) ..	3
	1-803075	Screw, CRTH #10-24 x 3/4 (52)	5
11	3290-148	Nut, Whizlock #10-24 (46, 50 & 56).....	3
	3290-148	Nut, Whizlock #10-24 (52).....	5
12	1-803076	Screw, CRTH 1/4-20 x 3/4	2
13	1-653596-03	Plate, Blower Backing	1
14	1-653443-03	Plate, Filler (52).....	1

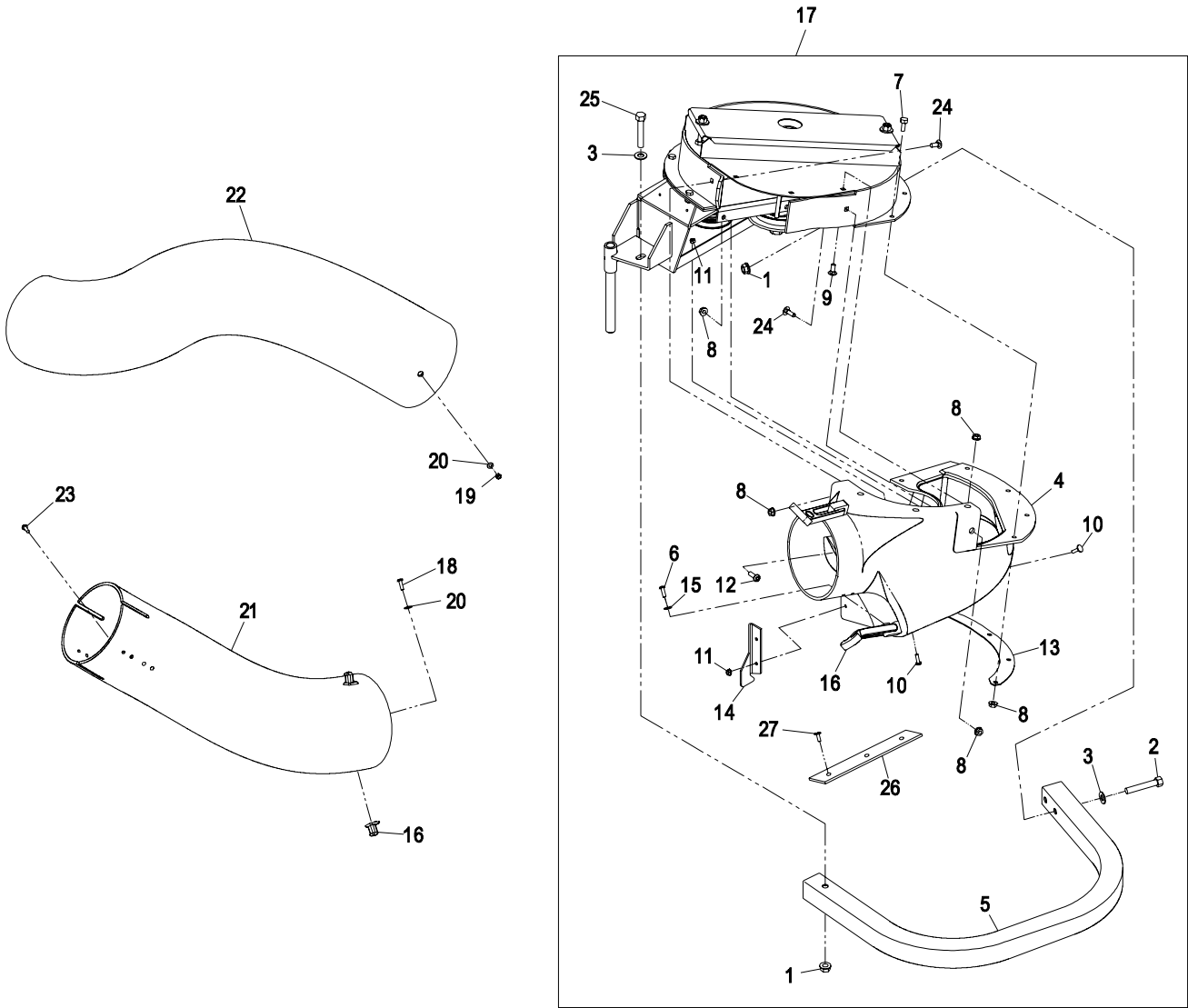
Item	Part No.	Description	Qty.
15	3256-14	Washer, #10 Std	4
16	1-653429	Asm, Latch.....	2
17	109-1024	Asm, Blower (46, 50 & 56) (Includes All Items From Pg 7 & Items 1-16 & Decals) ...	1
	103-0400	Asm, Blower (52) (Includes All Items From Pg 7 & Items 1-16 & Decals) ...	1
18	3290-500	Screw, PPH #10-24 x 5/8.....	2
19	3296-2	Nut, Nyloc #10-24	3
20	3256-14	Washer, #10 Std	5
21	109-2041	Tube, Lower (46 & 50)	1
	109-2040	Tube, Lower (52 & 56)	1
22	109-2035	Tube, Upper.....	1
23	32105-13	Screw, Slotted HH #10-24 x 3/4	3
24	3229-1	Bolt, Carriage 1/4-20 x 3/4	2
25	323-7	Screw, HH 3/8-16 x 1 1/4.....	1
26	103-4752-03	Plate, Reinforcement	1
27	114439	Rivet	3

Exmark red touch up paint (spray paint - P/N 1-850337 - .6 oz liquid bottle - P/N 103-9140).

Exmark black touch up spray paint – gloss black.

Kit 103-0583 is available to repair the welded-on accessory mounting tube on all 44"-72" decks.

BLOWER ASSEMBLY 46, 50, 52 and 56 (cont.)

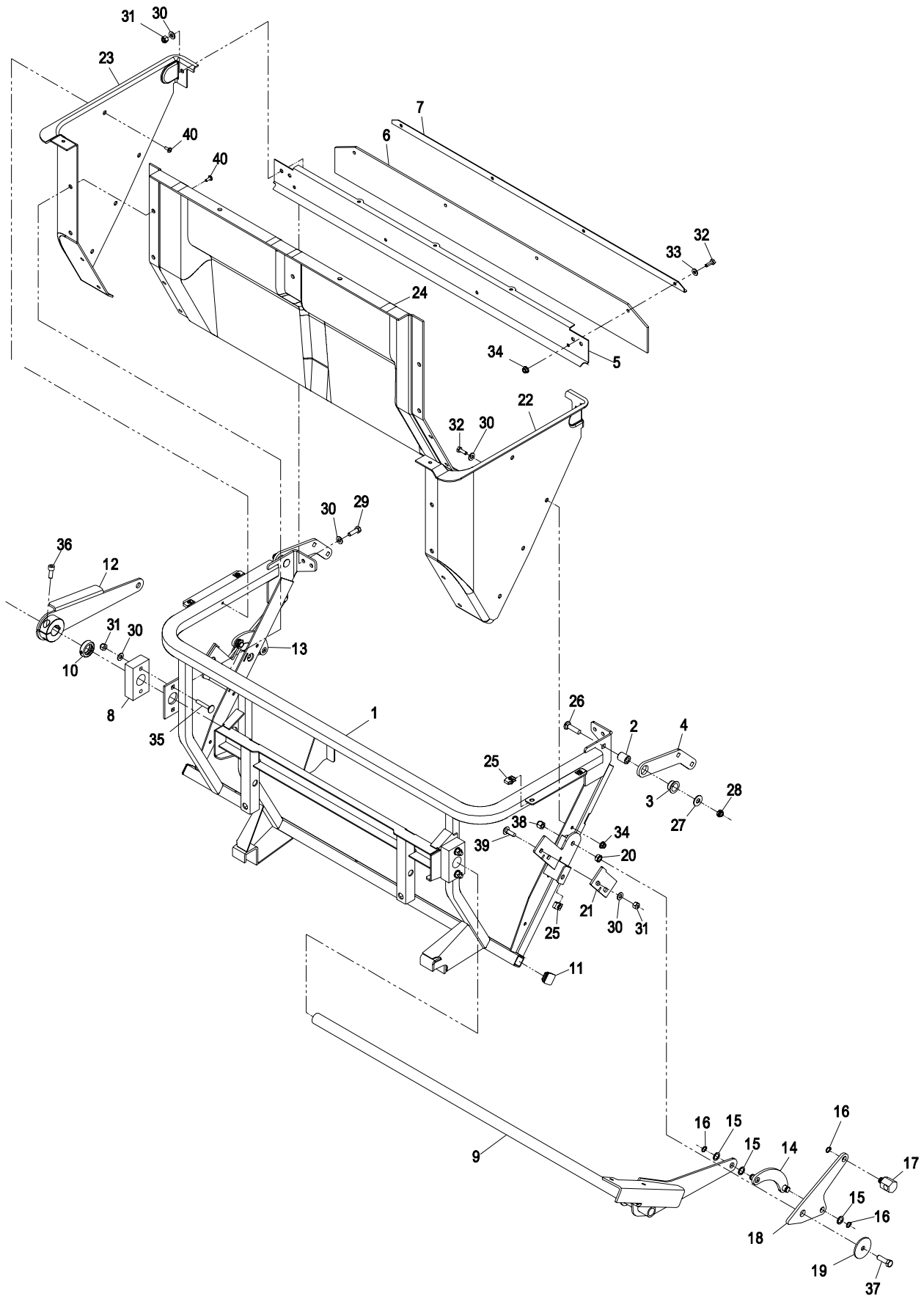


LOWER HOPPER ASSEMBLY

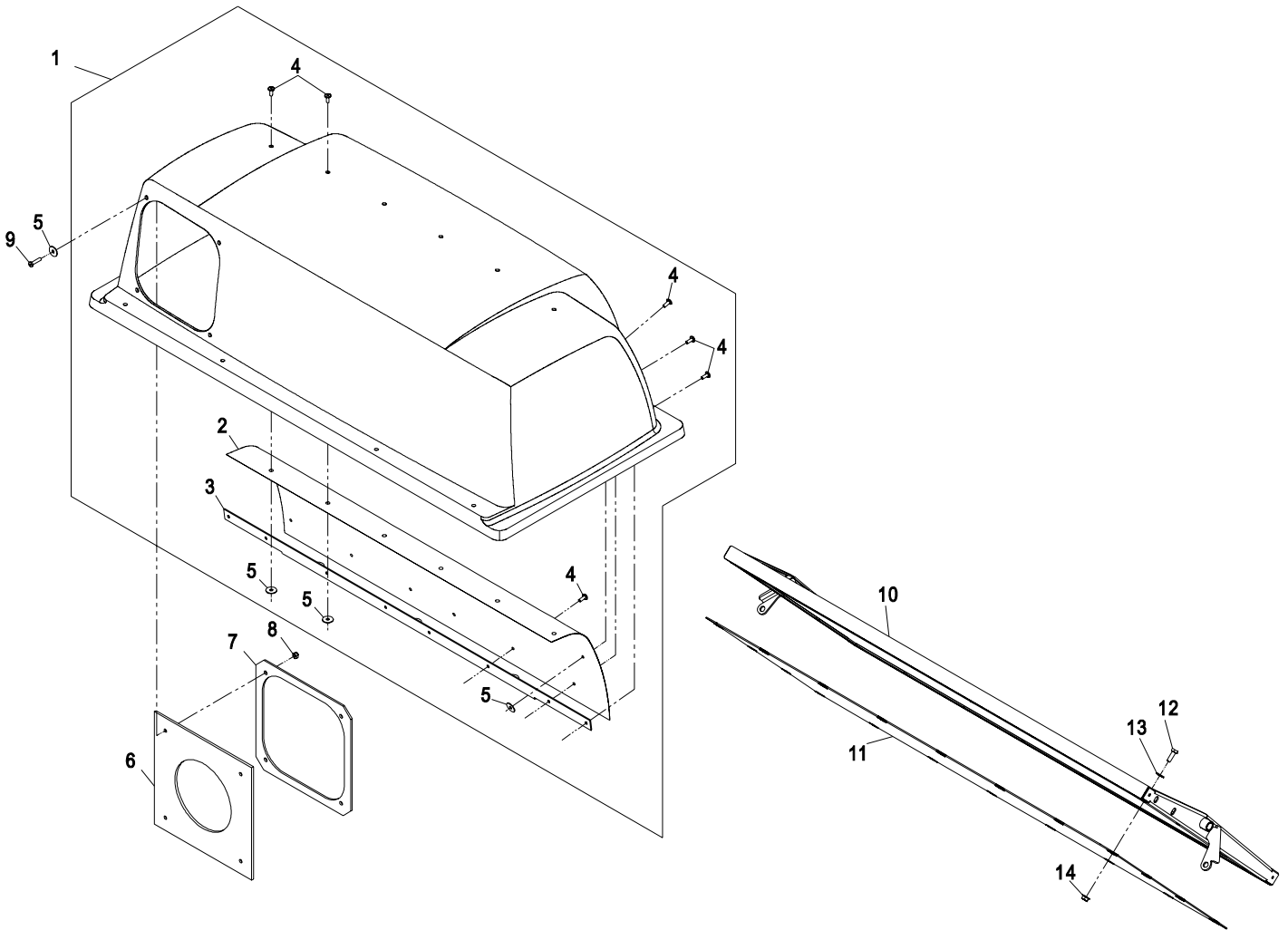
Item	Part No.	Description	Qty.
1	109-0329-03	Wld, QDS Frame.....	1
2	103-6294	Pin, Hinge Pivot	2
3	103-6295	Bearing	2
4	103-4820-03	Plate, Hinge	2
5	103-4412-03	Plate, Rear.....	1
6	103-4832	Seal, Door.....	1
7	103-4834-03	Strap, Hold Down.....	1
8	103-4402	Bearing	2
9	103-5114-03	Wld, Bellcrank.....	1
10	103-4433	Collar, Shaft.....	1
11	103-3202	Cap, Tube.....	2
12	103-8835-03	Wld, Link RH.....	1
13	103-5111	Wld, Link RH.....	1
14	103-5112	Wld, Link LH	1
15	94-8196	Washer, Nylon	6
16	32151-61	Ring, Retaining	6
17	103-4848	Trunnion, Link	2
18	103-4424	Arm, Door Linkage	2
19	103-4431	Washer	2
20	103-4415	Bearing, Linkage Pivot	2

Item	Part No.	Description	Qty.
21	103-4408-03	Stop, Linkage.....	2
22	103-7828	Panel, Bagger LH	1
23	103-7829	Panel, Bagger RH.....	1
24	103-5102	Panel, Bagger.....	1
25	107069	Nut, Retainer 1/4-20.....	6
26	3231-4	Bolt Carriage 3/8-16 x 1 1/2	2
27	3256-4	Washer, 3/8 Std.....	2
28	3296-59	Nut, Nyloc 3/8-16 Thin	2
29	322-5	Screw, HH 5/16-18 x 1	4
30	3256-23	Washer, 5/16 SAE	22
31	3296-29	Nut, Nyloc 5/16-18	12
32	321-4	Screw, HH 1/4-20 x 3/4.....	10
33	3256-22	Washer, 1/4 SAE	4
34	32128-33	Nut, Whizlock 1/4-20.....	10
35	3230-5	Bolt, Carriage 5/16-18 x 1 3/4	4
36	3274-1	Screw, SH 3/8-16 x 1 1/4.....	1
37	323-7	Screw, HH 3/8-16 x 1 1/4.....	2
38	3296-39	Nut, Nyloc 3/8-16	2
39	3230-2	Bolt, Carriage 5/16-18 x 1	4
40	114439	Riviet	14

LOWER HOPPER ASSEMBLY



HOOD and SCREEN ASSEMBLY

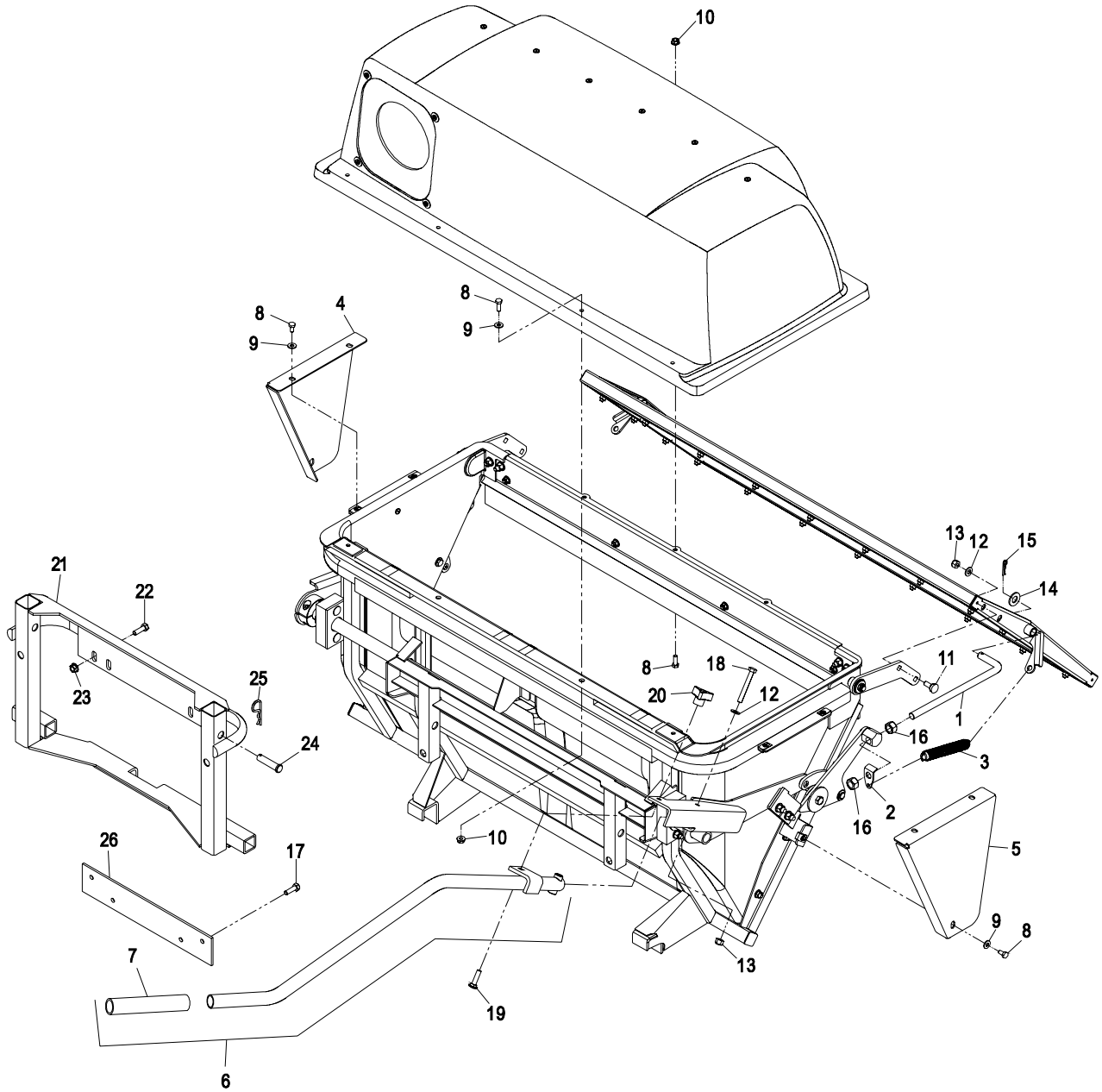


Item	Part No.	Description	Qty.
1◆	103-6232	Asm, Hood	1
2	114967	Screen	1
3	103-5101-03	Support, Screen	1
4	114439	Rivet, Pop 3/16 x 1/2.....	18
5	3256-61	Washer	14
6	1-653561	Seal, Chute	1
7	1-653598-03	Clamp, Seal	1

Item	Part No.	Description	Qty.
8	3296-2	Nut, Nyloc #10-24	4
9	3250-27	Screw, PPH #10-24 x 7/8.....	4
10	103-4406-03	Wld, Door Frame	1
11	103-4828	Screen, Door	1
12	321-4	Screw, HH 1/4-20 x 3/4.....	20
13	3256-2	Washer, 1/4 SAE	20
14	32128-33	Nut, Whizlock 1/4-20.....	20

◆ Includes items 2,3,4 and 5 riveted together and Decal.

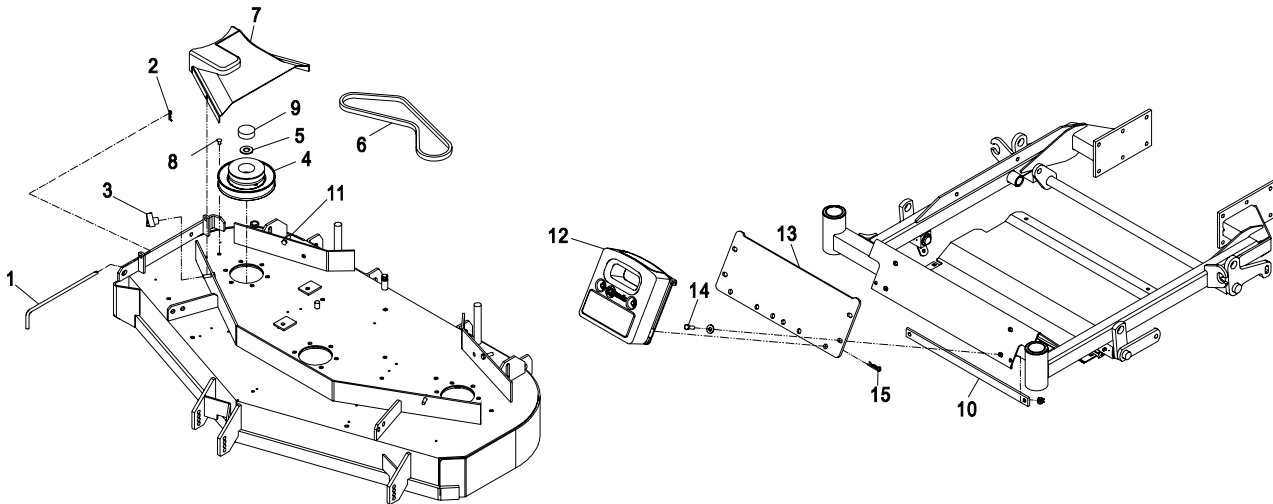
HOPPER ASSEMBLY



Item	Part No.	Description	Qty.
1	103-4822	Link, Door	2
2	103-4835	Anchor, Spring	2
3	103-4813	Spring	2
4	103-4819-03	Guard, RH.....	1
5	103-4437-03	Guard, LH.....	1
6	103-6271	Asm, Handle W/Grip	1
7	103-7115	Grip.....	1
8	321-4	Screw, HH 1/4-20 x 3/4	13
9	3256-22	Washer, 1/4 SAE	10
10	32128-33	Nut, Whizlock 1/4-20.....	7
11	3230-22	Bolt, Carriage 5/16-18 x 1	4
12	3256-23	Washer, 5/16 SAE.....	5
13	3296-29	Nut, Nyloc 5/16-18	5

Item	Part No.	Description	Qty.
14	3256-26	Washer, 1/2 SAE	2
15	1-806003	Hairpin, Cotter	2
16	3219-5	Nut, Hex 1/2-20.....	4
17	322-9	Screw, HH 5/16-18 x 1 3/4.....	4
18	322-12	Screw, HH 5/16-18 x 2 1/2.....	1
19	3230-3	Bolt, Carriage 5/16-18 x 1 1/4	1
20	1-323385	Knob, 3 Prong.....	1
21	103-4807-03	Wld, Bagger Mount	1
22	322-5	Screw, HH 5/16-18 x 1	8
23	32128-20	Nut, Whizlock 5/16-18.....	8
24	1-808289	Pin, Clevis 1/2 x 2	2
25	1-806005	Hairpin, Cotter	2
26	1-653532-03	Spacer, Counterweight (52 & 56).....	1

DECK COMPONENTS AND FRONT WEIGHTS



Deck Components:

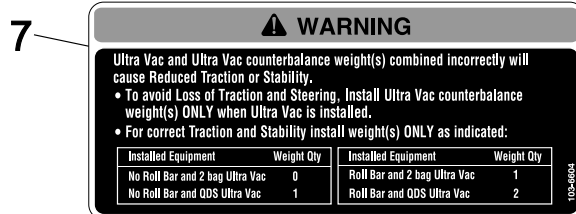
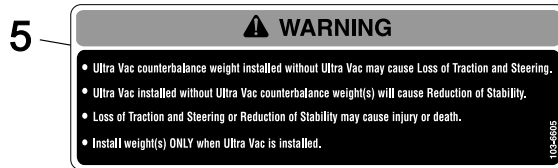
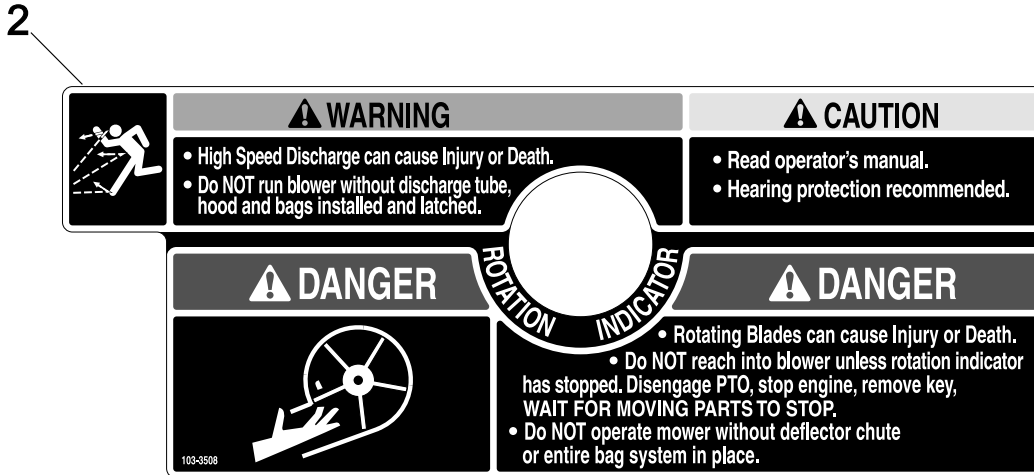
No.	Part No.	Description	Quantity Included in Each Kit					
			44"	48"	52"	46"	50"	56"
			103-1315	103-1314	109-1185	109-1013	109-1014	109-1015
1	1-653363	Pin, Chute Pivot	1	1	1			
	103-0453	Pin, Chute Pivot				1	1	1
2	1-806003	Pin, Hair	1	1	1	1	1	1
3	1-323385	Knob, Belt Shield	2	2	2	1	1	1
4	1-653439	Sheave, Blower Drive (52)			1			
	1-653362	Sheave, Blower Drive (48)		1				
	1-653309	Sheave, Blower Drive (44)	1					
	109-1016	Sheave, Blower Drive (46)				1		
	109-1017	Sheave, Blower Drive (50)					1	
	109-1018	Sheave, Blower Drive (56)						1
5	3256-27	Washer, 5/8 SAE				1	1	1
6	1-653438	Belt, Blower (46 & 52)			1	1		
	1-653333	Belt, Blower (48)		1				
	1-653332	Belt, Blower (44)	1					
	103-0866	Belt, Blower (50)					1	
	109-9249	Belt, Blower (56)						1
7	103-1316	Cover, Belt (44 & 48)	1	1				
	103-1318	Cover, Belt (52)			1			
	109-1019	Cover, Belt (46)				1		
	109-1020	Cover, Belt (50)					1	
	109-1021	Cover, Belt (56)						1
8	322-2	Screw, HH 5/16-18 x 5/8	1	1	1	1	1	1
9	103-1279	Plug	1	1	1	1	1	1
10	109-1022-03	Strap, Weight mount				1	1	1
11	3230-2	Bolt, Carriage 5/16-18 x 1				2	2	2

Front Weight Components: (Used on all units)

12	103-6363	Asm, Weight (103-6364-01) W/Decals	2
13	103-6368-01	Plate, Weight Mounting	1
14	322-5	Screw, HH 5/16-18 x 1	4
*	322-7	Screw, HH 5/16-18 x 1 1/2	4
15	9335124	Hairpin, Cotter	4

* 52" units with standard weight plate bolted to the front of the floor pan only.

DECALS



Item	Part No.	Description	Qty.
1	103-3302	Decal, Ultra Vac QDS	1
2	103-3508	Decal, Warning	1
3	1-653546	Decal, Exmark	1
4	98-5954	Decal, Missing Cover	1

Item	Part No.	Description	Qty.
5	103-6605	Decal, Weight	2
6	1-653558	Decal, Hot Sheave	1
7	103-6604	Decal, Weight Blower.....	1

NOTES

SEE EXMARK'S COMPLETE LINE OF ACCESSORIES AND OPTIONS

MID-MOUNT RIDING ACCESSORIES AND OPTIONS

CUSTOM RIDE SEAT SUSPENSION SYSTEM	OPERATOR CONTROLLED DISCHARGE
FULL SUSPENSION SEAT	ROLL OVER PROTECTION SYSTEM (ROPS)
DECK LIFT ASSIST KIT	SUN SHADE
HITCH KIT	TRASH CONTAINER
LIGHT KIT	TURF STRIPER
12V POWER PORT	ULTRA VAC COLLECTION SYSTEM
MICRO-MULCH SYSTEM	ULTRA VAC QUICK DISPOSAL SYSTEM

OUT-FRONT RIDING ACCESSORIES AND OPTIONS

CUSTOM RIDE SEAT SUSPENSION SYSTEM	SNOW BLADE
DUAL-TAIL WHEEL	SNOWBLOWER
FLOOR PAN EXTENDER	SUN SHADE
HITCH KIT	TRASH CONTAINER
LIGHT KIT	ULTRA VAC COLLECTION SYSTEM
MICRO-MULCH SYSTEM	ULTRA VAC QUICK DISPOSAL SYSTEM
ROLL OVER PROTECTION SYSTEM (ROPS)	WEATHER CAB

WALK-BEHIND ACCESSORIES AND OPTIONS

GRASS CATCHER	TURF STRIPER
MICRO-MULCH SYSTEM	STANDON

Place Model No. and Serial No.
Label Here (Included in the Literature
Pack or Fill in Below)

Model No. _____

Serial No. _____

Date Purchased _____

© 2009 Exmark Mfg. Co., Inc.
Industrial Park Box 808
Beatrice, NE 68310
All Rights Reserved

Part No. 4500-421 Rev. B
(402) 223-6300
Fax (402) 223-5489
Printed In USA

