



**LAZER Z<sup>®</sup> HP**  
**465, 505, 565 MODELS**

**For Serial Nos.**  
**720,000 & Higher**  
Part No. 4500-252 Rev. B

**Parts Manual**

**EXMARK PARTS PLUS**

***PARTS***

**OVERNIGHT**  
**OR *FREE*\***

If your Exmark dealer does not have the Exmark part in stock, Exmark will get the parts to the dealer the next business day or the part will be FREE Guaranteed!! (Some restrictions apply. See your participating Exmark Dealer for details.)



**READ OPERATOR'S MANUAL BEFORE  
OPERATING OR SERVICING EXMARK EQUIPMENT.**

**TABLE OF CONTENTS**

<b><u>Description</u></b>	<b><u>Page</u></b>
Decal Group .....	21-22
Deck Group .....	3-5
Electrical Diagram(s) .....	23-24
Electrical Group .....	19-20
Electrical Logic Schematic(s).....	25-26
Engine Group .....	17-18
Front Frame Group .....	7-8
Fuel Group.....	11
Hydraulic Group .....	15-16
Main Frame Group.....	9-10
Motion Control Group .....	12
Park Brake Group .....	13-14
Spindle Assembly .....	6

## DECK GROUP

Item	Part No.	Description	Qty.
1	1-303537	Stud, Belt Shield .....	2
2	1-323385	Knob .....	2
3	1-323417	Washer, Belt Shield .....	2
4	99-8912	Idler, Flat Pulley .....	1
5	1-413088	Spacer .....	1
6	109-0977	Idler, Flat.....	1
7	1-613098	Sheave, Idler 46" & 50" .....	1
	1-633109	Sheave, Idler 56".....	1
8	1-633456	Bushing, Idler.....	2
9	109-5997	Spacer .....	1
10	98-5975	Washer, Spring Disk 3/8 .....	5
11	103-2916	Guard, Top.....	1
12	103-3330	Spring .....	1
13	103-3504	Bearing, Spherical.....	2
14	103-3505	Seal, Double Lip.....	1
15	103-3506	Seal, Single Lip.....	1
16	103-5668	Plate, Guide Belt.....	1
17*	109-6279	Kit, Idler Arm W/Bearings .....	1
18	103-8103-01	Latch, Belt Shield.....	2
19	109-2154	Asm, Deck W/Decals 46" .....	1
	109-2155	Asm, Deck W/Decals 50" .....	1
	109-2156	Asm, Deck W/Decals 56" .....	1
20	105-7699	Strip-Seal, 3".....	4
21	106-7159	O-Ring .....	2
22	109-2523	Belt 46" .....	1
	109-0206	Belt 50" .....	1
	109-0096	Belt 56" .....	1

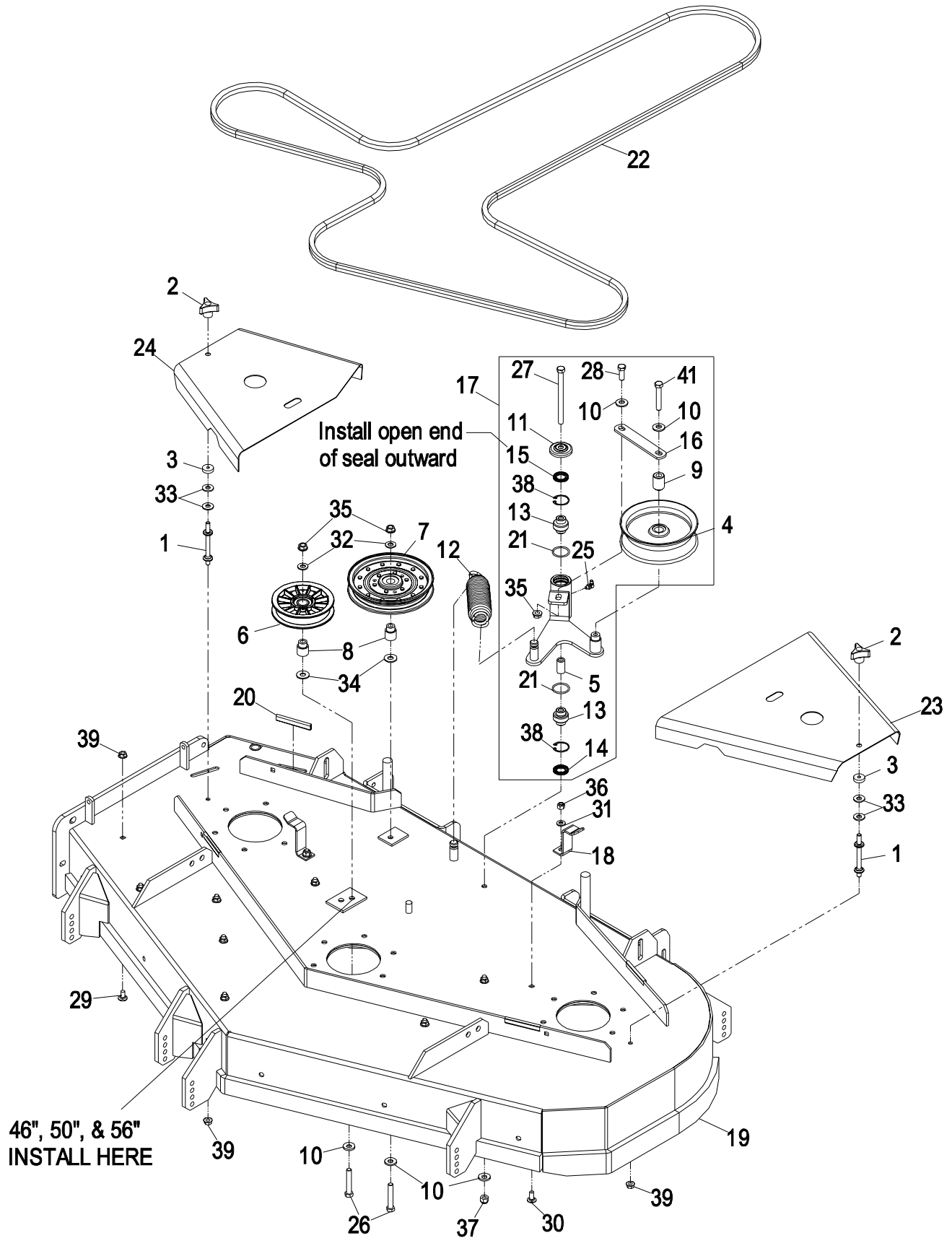
Item	Part No.	Description	Qty.
23	109-2157	Asm, Shield W/Decals 46" LH .....	1
	109-2158	Asm, Shield W/Decals 50" LH .....	1
	109-2159	Asm, Shield W/Decals 56" LH .....	1
24	109-2160	Asm, Shield W/Decals 46" RH.....	1
	109-2161	Asm, Shield W/Decals 50" RH.....	1
	109-2162	Asm, Shield W/Decals 56" RH.....	1
25	302-40	Zerk, 90° 1/4-28.....	1
26	323-11	Screw, HH 3/8-16 x 2 1/4.....	2
27	323-23	Screw, HH 3/8-16 x 4-1/2.....	1
28	323-6	Screw, HH 3/8-16 x 1.....	1
29	3230-18	Bolt, Carriage 5/16-18 x 5/8 .....	9
30	3230-22	Bolt, Carriage 5/16-18 x 1 .....	2
31	3256-23	Washer, 5/16 SAE .....	2
32	3256-24	Washer, 3/8 SAE .....	2
33	3256-3	Washer, 5/16 Std.....	4
34	3256-4	Washer, 3/8 Std.....	2
35	3290-357	Nut, Whizlock 3/8-16 .....	3
36	3296-29	Nut, Nyloc 5/16-18 .....	2
37	3296-39	Nut, Nyloc 3/8-16 .....	1
38	32120-10	Ring, Retaining .....	2
39	32128-20	Nut, Whizlock 5/16-18 .....	11
40▲	109-2169	Asm, Deck Complete 46".....	1
	109-2170	Asm, Deck Complete 50".....	1
	109-2171	Asm, Deck Complete 56".....	1
41	323-9	Screw, HH 3/8-16 x 1 3/4.....	1

Exmark red touch up paint (spray paint - P/N 1-850337 - .6 oz liquid bottle - P/N 103-9140).

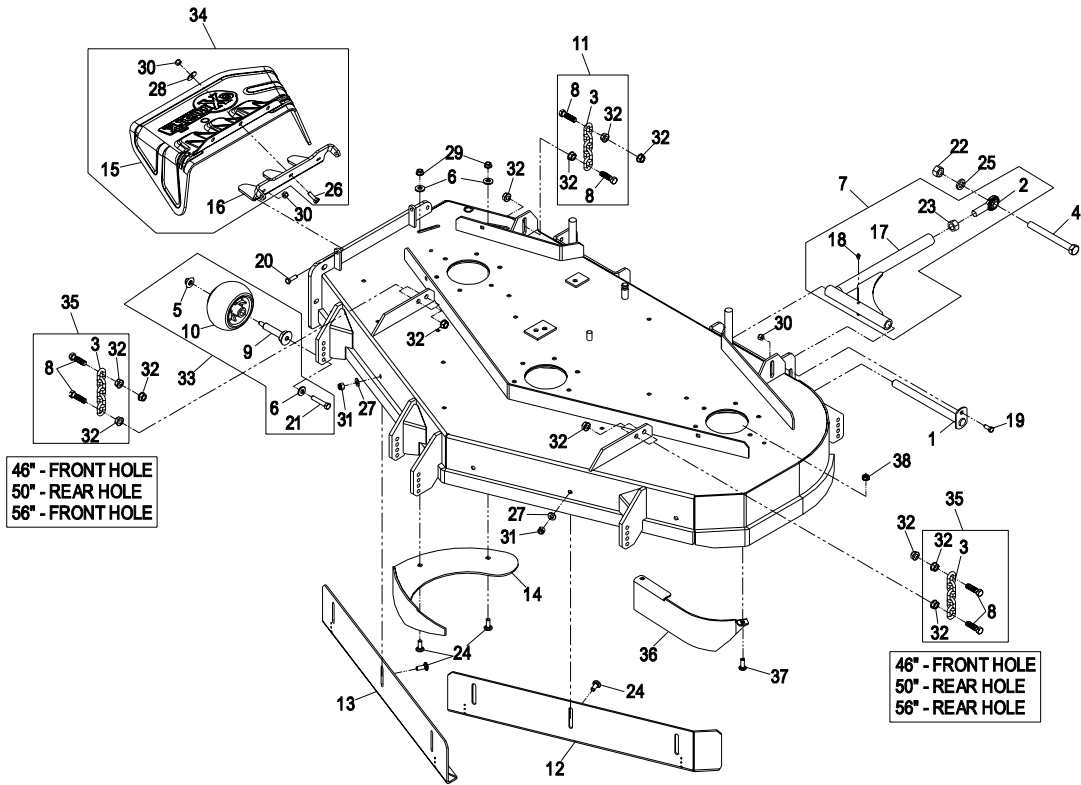
▲ Complete deck assembly includes all items from pages 3 – 6.

\* Kit also includes items #10 & #37.

# DECK GROUP



## DECK GROUP (cont.)

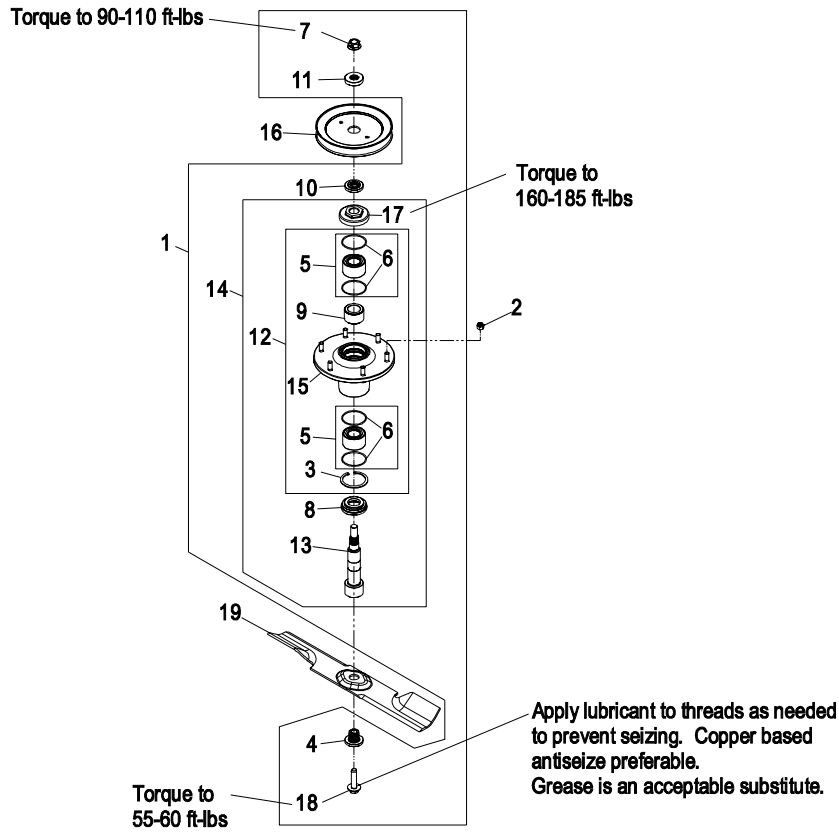


Item	Part No.	Description	Qty.
1	1-632199-01	Wld, Pin Deck Strut.....	2
2	1-633029	Balljoint.....	2
3	1-633447	Chain, Deck Lift.....	4
4	1-800344	Screw, HH 5/8-11 x 6.....	2
5	109-6658	Nut, Nyloc 3/8-16 Flg.....	3
	109-6658	Nut, Nyloc 3/8-16 Flg.....	6
6	98-5975	Washer, Spring Disk 3/8 46" & 50".....	5
	98-5975	Washer, Spring Disk 3/8 56".....	8
7	103-1081	Asm, Strut.....	2
8	103-1898	Screw, HH 7/16-20 x 1-5/8 Sp.....	8
9	103-5364	Axle, Anti-Scalp Roller 46" & 50".....	3
	103-5364	Axle, Anti-Scalp Roller 56".....	6
10	103-8415	Roller, Anti-Scalp 46" & 50".....	3
	103-8415	Roller, Anti-Scalp 56".....	6
11	103-9792	Asm, Chain Deck.....	2
12	109-0540-01	Wld, Baffle Front Adj LH 46".....	1
	109-0501-01	Wld, Baffle Front Adj LH 50".....	1
	109-0695-01	Wld, Baffle Front Adj LH 56".....	1
13	109-0541-01	Wld, Baffle Front Adj RH 46".....	1
	109-0502-01	Wld, Baffle Front Adj RH 50".....	1
	109-0698-01	Wld, Baffle Front Adj RH 56".....	1
14	109-0503-01	Wld, Dogleg 46".....	1
	109-0444-01	Wld, Dogleg 50".....	1
	109-0707-01	Wld, Dogleg 56".....	1
15	109-2738	Chute, Discharge LHP.....	1
16	109-0938-01	Hinge, Grass Discharge.....	1
17	109-1181	Wld, Deck Strut-Std.....	2

Item	Part No.	Description	Qty.
18	302-19	Fitting, Grease.....	4
19	322-3	Screw, HH 5/16-18 X 3/4.....	2
20	322-5	Screw, HH 5/16-18 X 1.....	2
21	3211-46	Screw, HH 3/8-24 X 2 Gr8 46" & 50".....	3
	3211-46	Screw, HH 3/8-24 X 2 Gr8 56".....	6
22	3217-11	Nut, Hex 5/8-11.....	2
23	3219-6	Nut, Hex 5/8-18.....	2
24	3231-22	Bolt, Carriage 3/8-16 X 1.....	8
25	3253-8	Washer, Lock 5/8.....	2
26	3230-22	Bolt, Carriage 5/16-18 x 1.....	3
27	3256-24	Washer, 3/8 SAE.....	6
28	3256-82	Washer.....	3
29	3290-357	Nut, Whizlock 3/8-16.....	2
30	3296-29	Nut, Nyloc 5/16-18.....	7
31	3296-39	Nut, Nyloc.....	6
32	32128-37	Nut, Whizlock 7/16-14.....	16
33	109-2098	Kit, Antiscalp 46" & 50".....	3
	109-2098	Kit, Anitscap 56".....	6
34	109-2148	Asm, Discharge Chute.....	1
35	103-9817	Asm, Chain Deck.....	2
36	109-5529-01	Baffle, Scroll 46" & 50".....	1
	109-5530-01	Baffle, Scroll 56".....	1
37	3230-23	Bolt, Carriage 5/16-18 x 3/4, 46" & 50".....	2
	3230-23	Bolt, Carriage 5/16-18 x 3/4, 56".....	3
38	104-8300	Nut, Nyloc 5/16-18 Flg 46" & 50".....	2
	104-8300	Nut, Nyloc 5/16-18 Flg 56".....	3

Exmark red touch up paint (spray paint - P/N 1-850337 - .6 oz liquid bottle - P/N 103-9140).

# SPINDLE ASSEMBLY



Item	Part No.	Description	Qty.
1	109-2102	Asm, Cutter Housing Complete.....	3
2	3296-39	Nut, Nyloc 3/8-16 .....	18
3	92-5581	Retaining Ring, Internal.....	3
4	103-3037	Bushing, Splined .....	3
5	109-2064	Asm, Bearing W/O-Rings .....	6
6	103-5895	O-Ring .....	12
7	109-7033	Nut, Flange 5/8-18 Centerlock .....	3
8	103-9504	Guard, Bottom .....	3
9	103-9506	Spacer, Bearing .....	3
10	103-9522	Spacer, Splined Stepped .....	3
11	103-9523	Spacer, Splined .....	3
12	103-9539	Asm, Cutter Housing.....	3
13●	103-9540	Spindle, Double Spline.....	3
14	103-9541	Asm, Spindle Housing.....	3
15	109-0764	Asm, Housing W/Studs.....	3
16	109-2798	Sheave, Blade Drive 46" .....	3
	109-1023	Sheave, Blade Drive 50" .....	3
	109-0914	Sheave, Blade Drive 56" .....	3
17	109-1058	Nut, Spindle 7/8-14 .....	3
18	109-5958	Screw, Hex Flange 1/2-20.....	3

Item	Part No.	Description	Qty.
19	103-8251	Blade, High Lift Notched 46" .....	3
	103-8296	Blade, Low Lift 46" .....	3
	103-8370	Blade, Medium Lift 46" .....	3
	103-8250	Blade, High Lift Solid 46" .....	3
	103-8420	Blade, High Lift Ls Solid 46" .....	3
■	103-8288	Blade, Mulch 46".....	3
	103-9605	Blade, High Lift Notched 50" .....	3
	103-9598	Blade, Low Lift 50" .....	3
	103-9600	Blade, Medium Lift 50" .....	3
	103-9599	Blade, High Lift Solid 50" .....	3
	103-9601	Blade, High Lift Ls 50" .....	3
	103-9602	Blade, High Lift Ls Solid 50" .....	3
■	109-5876	Blade, Mulch 50".....	3
	103-9606	Blade, High Lift Notched 56" .....	3
	103-9603	Blade, Low Lift 56" .....	3
	103-9607	Blade, Medium Lift 56" .....	3
	103-9604	Blade, High Lift Solid 56" .....	3
	103-9608	Blade, High Lift Ls 56" .....	3
	103-9609	Blade, High Lift Ls Solid 56" .....	3
■	109-5877	Blade, Mulch 56".....	3

Exmark red touch up paint (spray paint - P/N 1-850337 - .6 oz liquid bottle - P/N 103-9140).

- Requires installation of Micro-Mulch accessory for proper mulching. Mulch kit P/N MK465 (46"), MK505 (50"), and MK565 (56").
- Apply Mobil HTS grease (P/N 103-5217 1.5 oz packet) (or a food-grade anti-seize) between the spindles and bearings. DO NOT use a copper or nickel based anti-seize.

## FRONT FRAME GROUP

Item	Part No.	Description	Qty.
1	103-2081	Asm, Lever W/Grip (103-2078-03) .....	1
2	1-633295	Grip, Lift Lever .....	1
3	106-6598-03	Arm Wldmt, Deck Lift .....	1
4	1-633325	Spring, Compression .....	1
5	3256-24	Washer, 3/8 SAE .....	1
6	3296-39	Nut, Nyloc 3/8-16 .....	5
7	1-633068	Arm, Deck Lift .....	2
8	103-1987	Asm, Deck Lift Spring .....	2
9	323-8	Screw, 3/8-16 x 1 1/2 .....	1
10	1-811010	Plug .....	2
11	1-653230-01	Plate, Deck Lift.....	1
12	323-13	Screw, 3/8-16 x 2 3/4 .....	1
13	1-633082	Bushing, Lift Lever .....	1
14	109-1901	Plate Wldmt, Deck Lift W/Decal .....	1
15	3290-357	Nut, Whizlock 3/8-16.....	15
16◆	1-633097	Hitch Pin W/Lanyard .....	1
17	323-6	Screw, 3/8-16 x 1 .....	13
18	1-413088	Bushing, Lift Lever .....	1
19*	109-2151	Asm, Front Frame (46") .....	1
*	109-2152	Asm, Front Frame (50") .....	1
*	109-2153	Asm, Front Frame (56") .....	1
20	32151-103	E-Ring.....	7
21	3256-29	Washer, 7/8 SAE Flat .....	6
22	1-652013-01	Shaft Wld, Deck Lift LH.....	1
23◇	109-7615-01	Wld, Foot Deck Lift RH .....	1
24	302-19	Zerk, 1/4-28 Straight .....	5
25	3217-11	Nut, 5/8-11 Regular.....	8
26	1-633441	Swivel, Deck Mount .....	4
27	3218-6	Jam Nut, 5/8-11 .....	4
28	1-805517	Washer, 5/8 Std Flat.....	2
29	1-653011	Rod, Deck Lift .....	2
30	1-653009	Spring, Deck Support.....	2

Item	Part No.	Description	Qty.
31	103-3155	Axle, Caster .....	2
32★	103-3051	Spacer, Nut .....	4
33	103-0063	Seal, Bearing .....	4
34	1-633585	Bearing Cone.....	4
35	3274-18	Screw, Socket Head 5/16-18 x 1 1/4 .....	2
36	103-2768	Guard, Seal .....	4
37	325-36	Screw, 1/2-13 x 7 ½.....	2
38	1-632511-01	Caster Wldmt.....	2
39	3296-45	Nut, Nyloc 1/2-13 (Light Thin) .....	2
40	1-543511	Seal, Grease.....	2
41	3218-2	Nut, Jam 5/16 .....	2
42—	103-3785	Asm, Caster Wheel (Semi-pneumatic)...	2
▶	103-5189	Asm, Caster Wheel (Pneumatic) .....	2
	1-633002	Tire, 13 x 5.0-6 4 Ply Pneumatic.....	2
43	1-633508	Washer, Spring Disk .....	6
44	3296-51	Nut, Nyloc 3/4-10 .....	2
45	103-4882	Cap, Grease .....	2
46	109-2149	Asm, Floorpan Liftout (103-8426-01) W/Decal.....	1
47	103-1918	Bushing .....	2
48	3230-1	Bolt, Carriage 5/16-18 x 3/4 .....	4
49	32128-20	Nut, Whizlock 5/16-18 .....	4
50	323-29	Screw, Cap 3/8-16 x 1.38 .....	2
51	1-806005	Hairpin, Cotter .....	1
52	1-543509	Bearing Cone, Tapered Roller .....	4
53	98-5975	Washer, 3/8 Disc Spring.....	12
54	3256-27	Washer, 5/8 SAE Flat.....	2
55	109-2150	Asm, Floorpan Front (103-9866-01) W/Decal.....	1
56	323-9	Screw, HH 3/8-16 x 1 3/4.....	1
57	103-1982	Bushing, Spring .....	4
58	1-543508	Bearing Cup, Tapered Roller .....	4

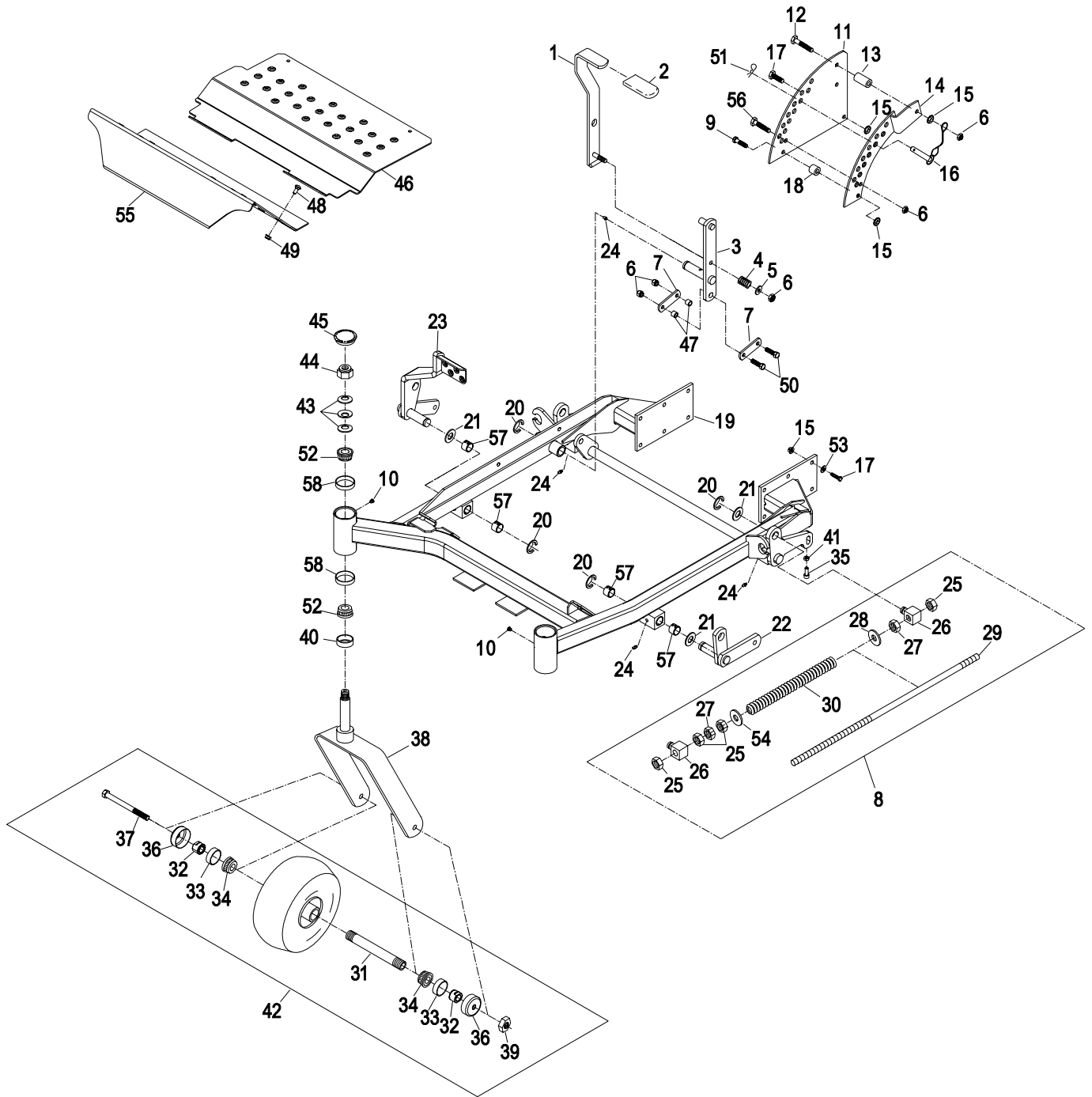
Exmark red touch up paint (spray paint - P/N 1-850337 - .6 oz liquid bottle - P/N 103-9140).

Exmark black touch up spray paint – gloss black.

- ★ Use Pro-Lock, Nut Type (P/N 1-840022, .5 ml tube) on spacer nut.
- \* Includes these items: #19 - #24, #35, #40, #41, #45, #57 - #59.
- ◇ Deck lift assist kit P/N 109-5201 (includes items #20, #21, & #23).
- ◆ Includes hitch pin plus hairpin, item #51.
- Standard on all models except LHP19KA465 S/N 739053 & Higher
- ▶ Standard on LHP19KA465 S/N 739053 & Higher



# FRONT FRAME GROUP



## MAINFRAME GROUP

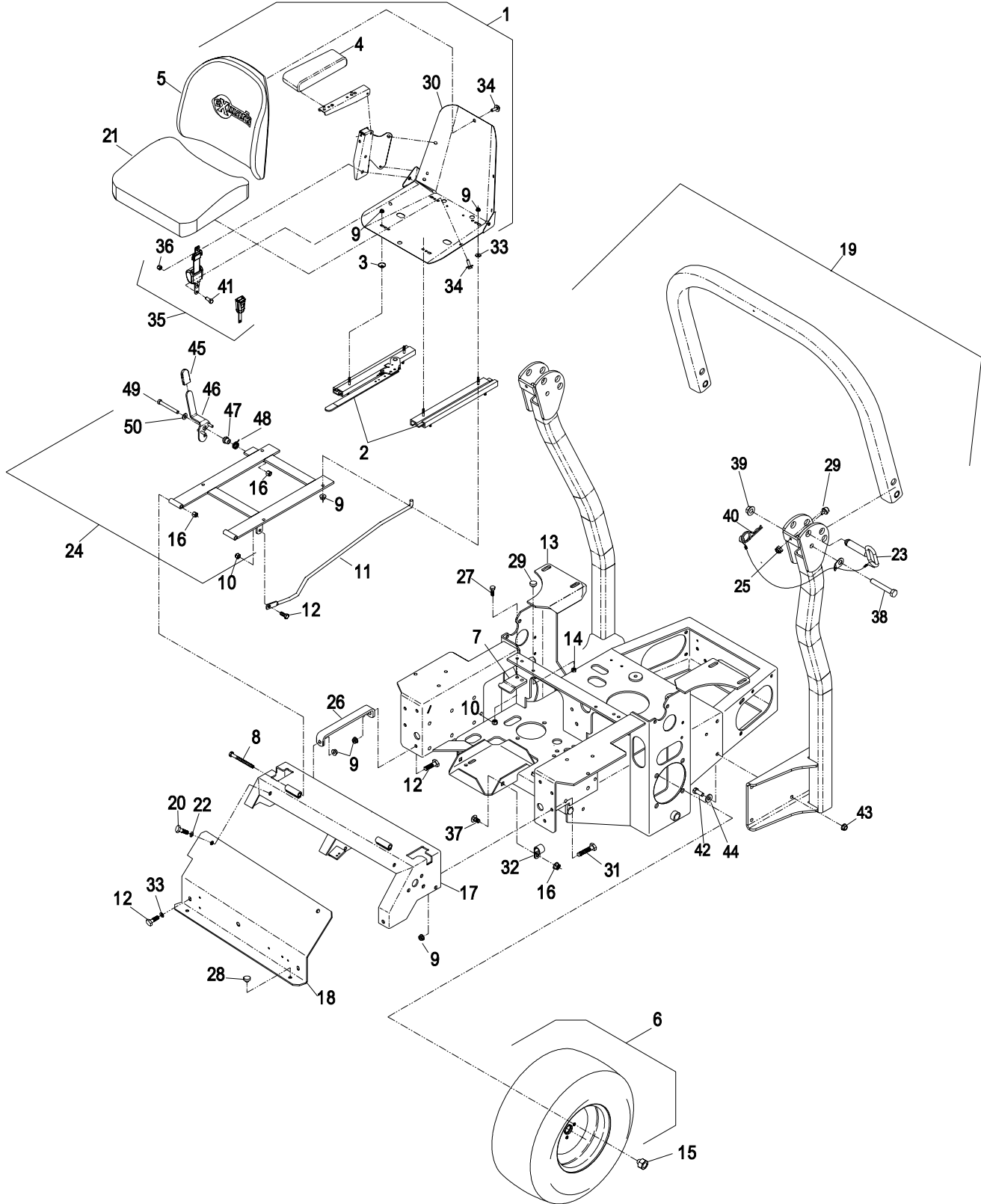
Item	Part No.	Description	Qty.
1●	103-3524	Seat, Complete W/Armrests.....	1
2	1-643255	Track, Seat (4" Adjust.) .....	1
	103-8386	Spring, Seat Rail .....	1
3	1-543401	Spacer, Seat Track.....	2
4	103-0292	Cushion, Armrest (RH).....	1
◆	103-0291	Cushion, Armrest (LH).....	1
5	103-3520	Cushion, Backrest .....	1
6—	103-2769	Wheel/Tire Assy (46" MultiTrac C/S).....	2
	103-2770	Wheel/Tire Assy(50"&56" MultiTrac C/S)..	2
▶	1-653010	Wheel/Tire Assy (46" TurfMaster).....	2
	1-653158	Wheel (46" Deck) .....	2
	1-653161	Wheel (50" & 56").....	2
	103-2771	Tire, 24 x 9.5-12 4 Ply (MultiTrac C/S).....	2
	1-653160	Tire, 23 x 9.5-12-4 Ply (TurfMaster).....	2
7	103-5961	Catch, Seat Latch.....	1
8	323-39	Screw, 3/8-16 x 5.....	2
9	32128-20	Nut, Whizlock 5/16-18 .....	16
10	3296-29	Nut, Nyloc 5/16-18.....	3
11	103-1731	Rod, Seat Hold Up .....	1
12	322-5	Screw, 5/16-18 x 1.....	3
13	109-3970	Asm, Mainframe(109-3967-03) W/Decals.....	1
14	32128-33	Nut, Nyloc 1/4-20.....	2
15	242-50	Nut, Wheel 1/2-20 .....	8
16	3296-39	Nut, Nyloc 3/8-16.....	3
17	109-2164	Asm, Console(103-9843-03) W/Decals.....	1
18	109-2165	Panel, Instrument (103-7939-03) W/Decals.....	1
19☆	FRPSL	Kit, Rops LHP.....	1
20	322-3	Screw, 5/16 -18 x 3/4.....	3

Item	Part No.	Description	Qty.
21	103-3521	Cushion, Seat .....	1
22	3256-23	Washer, Flat 5/16 SAE .....	2
23✦	103-4553	Asm, Rops Fold Pin .....	2
24	110-5850	Asm, Seat Frame.....	1
25	3296-73	Nut, Nyloc 1/4-20 (black).....	2
26	103-7935-03	Bracket, Instrument Panel.....	1
27	322-4	Screw, HH 5/16-18 x 7/8 .....	2
28	1-513658	Bumper .....	2
29	109-2365	Bumper, Rubber.....	4
30	1-633859	Seat Frame .....	1
31	322-2	Screw, 5/16-18 x 5/8 .....	6
32	1-633396	Clip, Loom.....	1
33	3256-3	Washer, Flat Std 5/16 .....	4
34	103-8383	Bolt, Seat Cushion .....	11
35	110-0883	Asm, Seat Belt .....	1
36	3296-7	Nut, Nyloc 7/16-20 .....	2
37	3231-22	Bolt, Carriage 3/8-16x1 .....	2
38	325-13	Screw, HH 1/2-13 x 3 1/4 .....	2
39	32128-23	Nut, Hex Flange Side Lock 1/2-13.....	2
40	107-3155	Cotter, Hair Pin Double Loop.....	2
41	3212-4	Screw, HH 7/16-10 x 1 .....	2
42	323-6	Screw, HH 3/8-16 x 1 .....	8
43	3290-357	Nut, Whizlock 3/8-16.....	8
44	98-5975	Washer, Spring Disk 3/8 .....	8
45	103-4434	Grip.....	1
46	110-5808	Latch, Seat.....	1
47	107-0075	Bushing.....	1
48	110-5831	Spring .....	1
49	323-20	Screw, 3/8-16 x 3 1/4 .....	1
50	3256-24	Washer, 3/8 SAE Flat .....	1

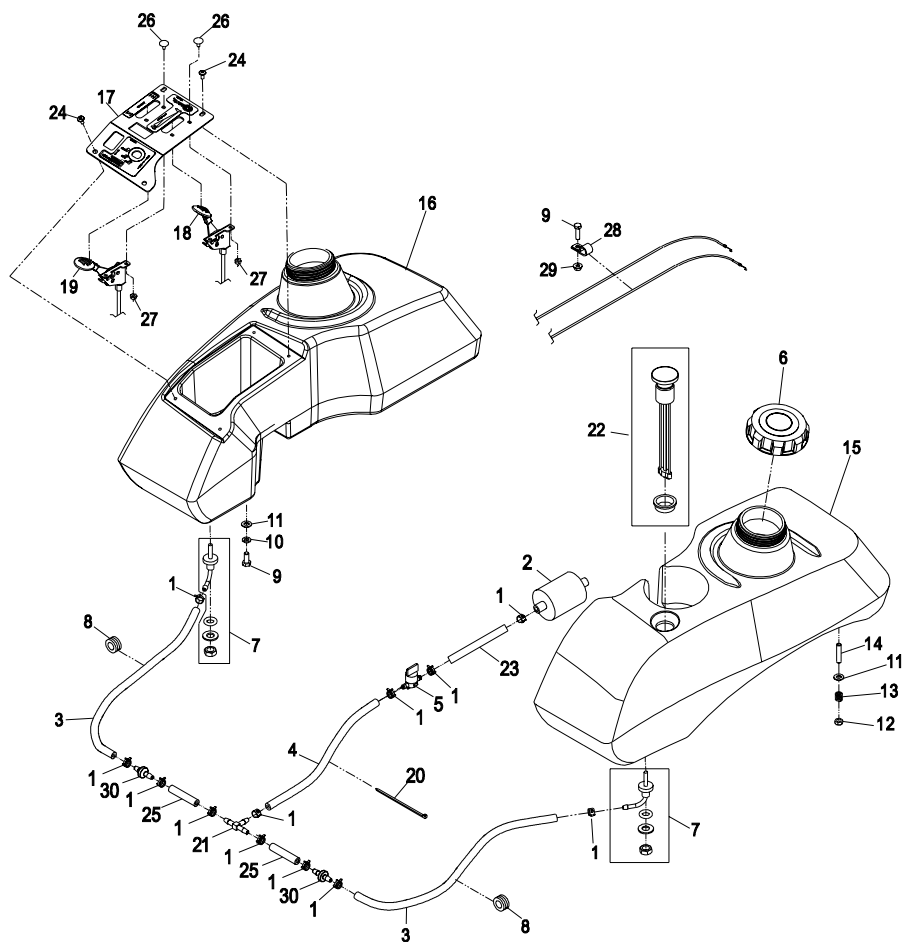
Exmark black touch up spray paint – gloss black.

- ◆ Not Illustrated.
- ✦ Includes ROPS fold pin plus hairpin item #40.
- ☆ Rollover protection frame is serviced as a complete assembly only. Includes complete ROPS frame, mounting hardware, fold pivot and locking hardware, seat frame assembly item #24, catch item #7, and seat belt assembly item #35.
- Includes armrests and seat back decal. Does not include seat belt or tracks.
- Standard on all models except LHP19KA465 S/N 739053 & Higher
- ▶ Standard on LHP19KA465 S/N 739053 & Higher

# MAINFRAME GROUP



# FUEL GROUP



Item	Part No.	Description	Qty.
1	1-303077	Clamp, Fuel Line.....	12
2	◆ Kohler	Part No. 2405010 Fuel Filter .....	1
	◆ Kawasaki	Part No. 49019-7001 Fuel Filter .....	1
3	109-2225	Hose, Fuel Line 20 1/2".....	2
4	109-0275	Hose, Fuel Line 32".....	1
5	1-603770	Valve, Fuel.....	1
6	109-0346	Cap, Fuel Tank .....	2
7	▼ 103-2605	Fitting, Fuel Bulkhead W/Strainer .....	2
	103-2784	O-Ring .....	2
8	1-543296	Grommet, Fuel Line .....	2
9	322-3	Screw, 5/16-18 x 3/4 .....	5
10	1-805005	Washer, Lock 5/16.....	4
11	3256-23	Washer, 5/16 SAE .....	8
12	3296-47	Nut, Nyloc 5/16-18 .....	4
13	1-633349	Spring, Fuel Tank.....	4
14	◇ 1-633023	Stud, Fuel Tank .....	4
15	★ 103-4898	Asm, Tank Fuel (LH).....	1

Item	Part No.	Description	Qty.
16	★ 109-0686	Asm, Tank Fuel (RH).....	1
17	109-4509	Asm, Control Panel W/Decals .....	1
18	109-3987	Control, Throttle (Red).....	1
19	109-4211	Control, Choke (Black) (Kohler) .....	1
	109-4210	Control, Choke (Black) (Kawasaki) .....	1
20	1-303335	Plastic Tie (Large) .....	1
21	99-5005	Fitting, Barbed Tee.....	1
22	103-6563	Kit, Fuel Gage .....	1
23	109-0660	Hose, Fuel Line 3 1/2" .....	1
24	■ 109-2661	Screw, PPH #10-24 x 1/2 .....	4
25	109-0304	Hose, Fuel Line 2 1/2" .....	2
26	1-807513	Bolt, Carriage #10-24 x 1/2.....	4
27	3296-2	Nut, Nyloc #10-24 .....	4
28	1-633396	Clip, Loom 5/8 .....	1
29	32128-20	Nut, Whizlock 5/16-18 .....	1
30	99-5000	Valve, Fuel Check .....	2

◇ Use Pro-Lock, Retaining Type (P/N 1-840023, .5ml tube) on stud threads going into tank.

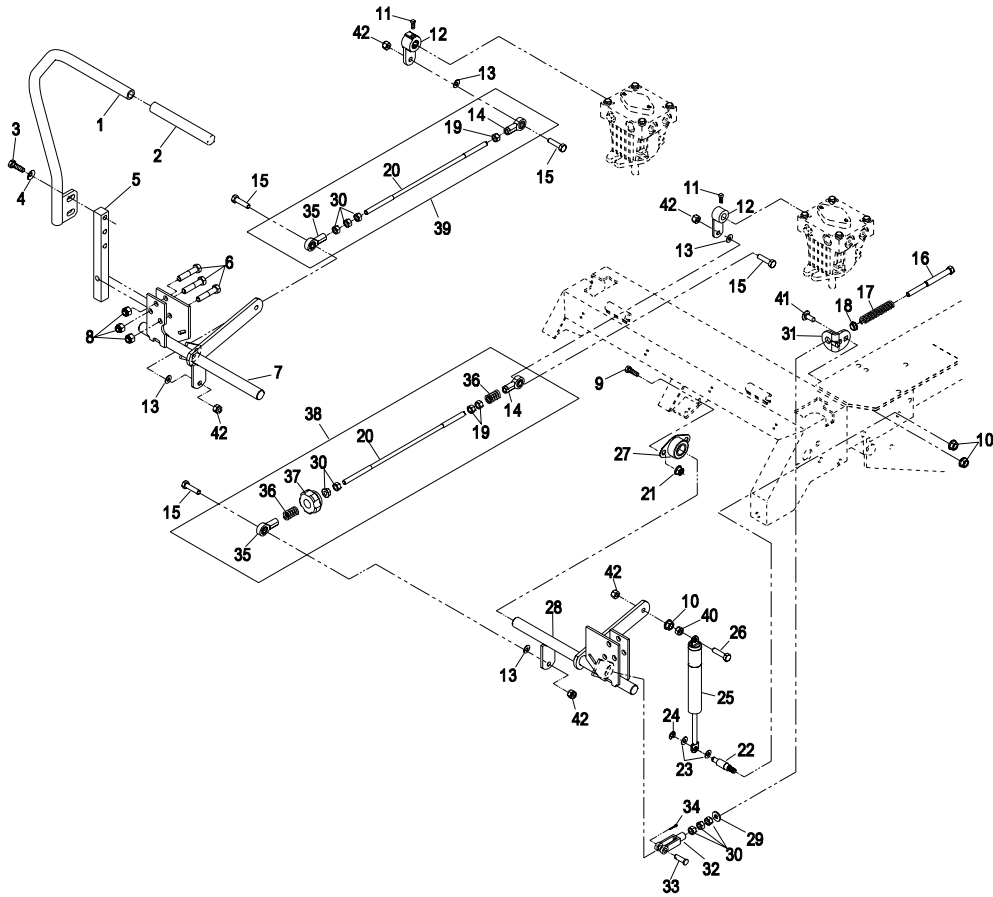
◆ Refer to Engine Owner's manual. (Fuel filter **Must** be 15 Micron or smaller).

★ Includes tank, cap, fitting, and studs. LH tank also includes fuel gauge.

▼ Use Pro-Lock, Nut Type (P/N 1-840022, .5ml tube) on fuel fitting.

■ Snug fit only on slotted holes, **Do Not Overtighten**, tank must be able to expand.

# MOTION CONTROL GROUP



Item	Part No.	Description	Qty.
1	103-3458	Handle 103-3327-03 W/Grip (RH).....	1
*	103-3457	Handle 103-3326-03 W/Grip (LH).....	1
2	103-3456	Grip, Motion Cntrl Handle.....	2
3	323-6	Screw, 3/8-16 x 1.....	4
4	98-5975	Washer, Disc Spring 3/8.....	4
5	103-0407	Arm, Control Shaft.....	2
6	323-9	Screw, 3/8-16 x 1 3/4.....	6
7	103-4773	Bracket, Motion Cntrl (RH).....	1
8	3296-39	Nut, Nyloc 3/8-16.....	6
9	323-4	Screw, 3/8-16 x 3/4.....	8
10	32128-20	Nut, Whizlock 5/16-18.....	6
11◆	1-803022	Setscrew, 5/16 x 5/8.....	2
12	103-3717	Arm, Pump Control.....	2
13	3256-3	Washer, 5/16 Std.....	4
14	1-633152	Ball Joint (LH).....	2
15	322-6	Screw, 5/16-18 x 1 1/4.....	4
16	1-603737	Bolt, (Neutral Return).....	2
17	1-603807	Spring, (Neutral Return).....	2
18	109-3769	Bushing, Nylon (Reverse Ind.).....	2
19	1-804524	Nut, 5/16-24 (LH).....	3
20	103-3066	Link, Pump Control.....	2
21	3290-357	Nut, Whizlock 3/8-16.....	8

Item	Part No.	Description	Qty.
22	103-4101	Pin, Damper Anchor.....	2
23	3256-23	Washer, 5/16 SAE.....	4
24	32120-35	E-Ring.....	2
25	109-2339	Damper.....	2
26	1-403180	Screw, 5/16-18x1 1/4 Special.....	2
27	1-633102	Bearing, Flanged.....	4
28	103-4774	Bracket, Motion Control(LH).....	1
29	3256-2	Washer, 1/4.....	2
30	3219-2	Nut, 5/16-24.....	10
31	109-3908	Tab, Adjustment.....	2
32	1-303105	Yoke.....	2
33	1-808280	Pin, Clevis 5/16 x 1.....	2
34	3272-5	Pin, Cotter 3/32 x 1/2.....	2
35	1-543017	Ball Joint (RH).....	2
36	1-323245	Spring, Compression.....	2
37	103-3060	Knob, Tracking.....	1
38	103-4326	Asm, Tracking.....	1
39	103-4327	Asm, Tracking.....	1
40	3217-6	Nut, Hex 5/16-18.....	2
41	3230-23	Bolt, Carriage 5/16-18 x 3/4, short neck.....	2
42	3296-29	Nut, Nyloc 5/16-18.....	6

Exmark black touch up spray paint – gloss black.

\* Not Illustrated.

◆ Use Pro-Lock, Nut Type (P/N 1-840022, .5ml tube) on setscrews.

## PARK BRAKE GROUP

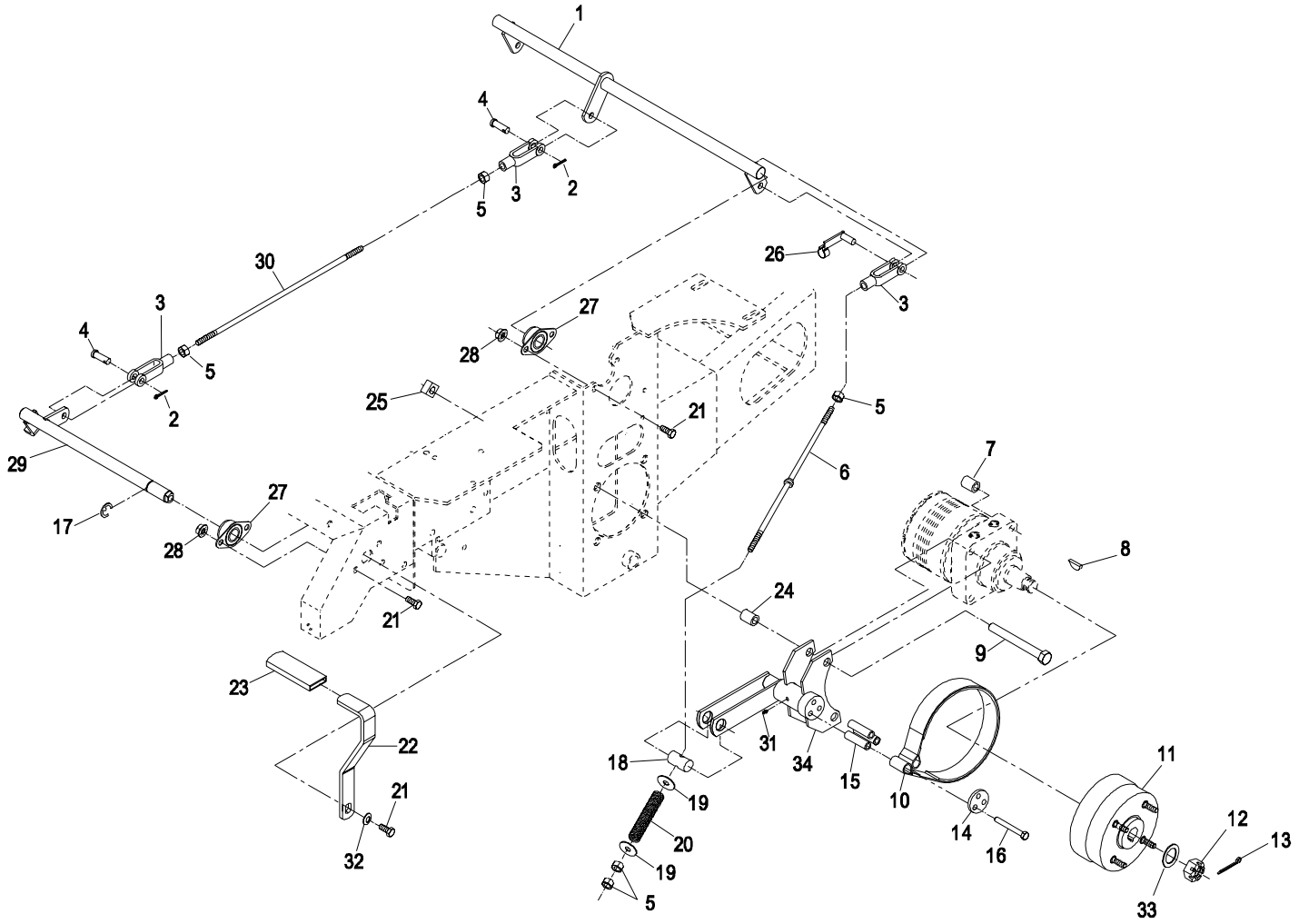
Item	Part No.	Description	Qty.
1	1-652073-03	Crank Wldmt, Brake.....	1
2	3272-10	Pin, Cotter 1/8 x 3/4 .....	2
3	1-633131	Yoke .....	4
4	1-808285	Pin, Clevis 3/8 x 1 1/8 .....	2
5	3219-3	Nut, 3/8-24 .....	8
6	103-0356	Rod, Brake.....	2
7	1-653068	Spacer (Long) 46" & 50" Deck .....	4
*	1-653380	Spacer (Long) 56" Deck .....	4
8	3257-42	Woodruff Key, 5/16 x 1 .....	2
9	325-12	Screw, HH 1/2-13 x 3, 46" & 50".....	8
	325-17	Screw, HH 1/2-13 x 4, 56".....	8
10	103-9761	Band, Brake.....	2
11	103-0590	Hub & Drum W/Studs, Plated .....	2
	1-633926	Stud, Wheel.....	8
12	1-809036	Nut, Slotted 1.00-20.....	2
13	1-806800	Pin, Cotter 9/64 x 1 1/2 .....	2
14	103-0374	Retainer, Brake Band.....	2
15	103-0384	Spacer .....	6
16	322-9	Screw, 5/16-18 x 1 3/4 .....	6
17	32151-48	Ring, Retaining .....	1

Item	Part No.	Description	Qty.
18	1-633144	Pin, Trunion .....	2
19	3256-4	Washer, 3/8 Std.....	4
20	1-633454	Spring, Brake Rod .....	2
21	323-4	Screw, 3/8-16 x 3/4 .....	9
22	103-4630	Asm, Lever (1-653074-03) W/Grip .....	1
23	1-633268	Grip, Brake Lever.....	1
24	1-653069	Spacer(Short) 46"& 50" Deck.....	4
*	1-653381	Spacer(Short) 56" Deck .....	4
25	109-5618	Nut, Square Special 1/2-13.....	8
26	103-2399	Pin, Spring Clevis .....	2
27	1-633102	Bearing, Flange .....	4
28	3290-357	Nut, Whizlock 3/8-16 .....	8
29	103-3116	Shaft Wldmt, Brake .....	1
30	1-653061	Linkage, Brake Handle .....	1
31	1481	Zerk, Grease.....	2
32	98-5975	Washer, Disc Spring 3/8.....	1
33	1-523157	Washer, Spacer.....	2
34	103-0352-03	Bracket, Brake 46" & 50" .....	2
*	103-0353-03	Bracket, Brake 56" .....	2

Exmark black touch up spray paint – gloss black.

\* Not Illustrated.

# PARK BRAKE GROUP



## HYDRAULIC GROUP

Item	Part No.	Description	Qty.
1	103-1947	Asm, Reservoir W/ Decal.....	1
2	103-7615	Asm, Cap W/Gasket.....	1
3	103-1949	Gasket, Reservoir Cap.....	1
4	321-6	Screw, 1/4-20 x 1.0.....	2
5	3256-22	Washer, Flat SAE 1/4.....	2
6	103-3071-03	Wld, Reservoir Stand.....	1
7	103-1801	Adapter, Straight.....	1
	1-603921	Boss O-Ring.....	1
8	103-1912	Adapter, Straight.....	1
	1-603921	Boss O-Ring.....	1
9	103-1716	Clamp, Hose (17/32).....	3
10	103-1988	Clamp, Hose (11/16).....	3
11	103-3077	Asm, Supply Hose.....	1
12	103-2889	Asm, Filter Head.....	1
	103-1912	Adapter, Straight.....	2
	1-603921	O-Ring.....	1
13	321-3	Screw, 1/4-20 x 5/8.....	2
14	322-5	Screw, 5/16-18 x 1.....	2
15	1-805004	Lockwasher.....	2
16	109-4180	Element, Oil Filter.....	1
▼	1-523541	Element, Oil Filter (Winter).....	1
17	103-2930	Asm, Charge Hose.....	1
18	103-2357	Asm, Case Drain Hose.....	1
19	1-653187	Hose, RH Rear 46" & 50".....	1
	1-653437	Hose, RH Rear 56".....	1
20	109-2524	Hose, RH Front 46" & 50".....	1
	109-2525	Hose, RH Front 56".....	1
21	1-633605	Elbow, 90° (RH Wheel Motor).....	2
	1-603919	Boss O-Ring.....	1
	1-603992	Flare O-Ring.....	1
22	1-523328	Motor, Wheel.....	2
	103-6995	Kit, Output Shaft & Seals.....	1
	103-6994	Kit, Seal.....	1
23	103-1799	Elbow, 90°.....	2
	1-603921	Boss O-Ring.....	1
24	1-807272	Key 5 x 5 x 25mm.....	2
25	103-1802	Elbow, 90°.....	2
	1-603921	Boss O-Ring.....	1

Item	Part No.	Description	Qty.
26	3256-24	Washer, 3/8 SAE Flat.....	1
27	103-3504	Bearing, Spherical.....	2
28	1-603991	Adapter, Straight (LH Wheel Motor).....	2
	1-603919	Boss O-Ring.....	1
	1-603992	Flare O-Ring.....	1
29	3290-357	Nut, Whizlock 3/8-16.....	6
30	323-7	Screw, 3/8-16 x 1 1/4.....	4
31	103-1940	Adapter, Straight Long.....	4
	1-603920	Boss O-Ring.....	1
	1-603992	Flare O-Ring.....	1
32◇	1-803050	Setscrew, .312-18 x .75.....	4
33	1-653156	Sheave, Pump Drive.....	2
34	103-4480	Spring, Extension.....	1
35	3296-39	Nut, Nyloc 3/8-16.....	1
36	98-5975	Washer, Disc Spring.....	1
37	103-3505	Seal, Double, Lip.....	1
38	103-5677	Spacer.....	1
39	109-4311	Arm, Idler W/ Bearings.....	1
40	3234-11	Screw, 3/8-16 x 1 Whizlock.....	1
41	302-40	Zerk, 90° 1/4-28.....	1
42	323-9	Screw, 3/8-16 x 1 3/4.....	1
43	98-5961	Screw, 3/8-16 x 4 Gr 8.....	1
44	3256-4	Washer, 3/8 Std Flat.....	1
45	106-7159	O-ring.....	2
46	32128-20	Nut, 5/16-18 Whizlock.....	2
47	109-4077	Pulley, Idler.....	1
48	109-4608	Hose, LH 46" & 50".....	2
	109-4609	Hose, LH 56".....	2
49	103-4761	Belt, Pump Drive.....	1
50	103-1942	Pump, Hydro.....	2
	103-2664	Kit, Input Shaft 10A.....	1
	94-6922	Kit, Thrust Bearing 10A.....	1
	103-2666	Kit, Cylinder Block 10A.....	1
	105-6184	Kit, Overhaul Seal.....	1
	103-2741	Kit, Shock Valve 10a/10l.....	1
51	103-3506	Seal, Single Lip.....	1
52	32120-10	Ring, Retaining.....	2

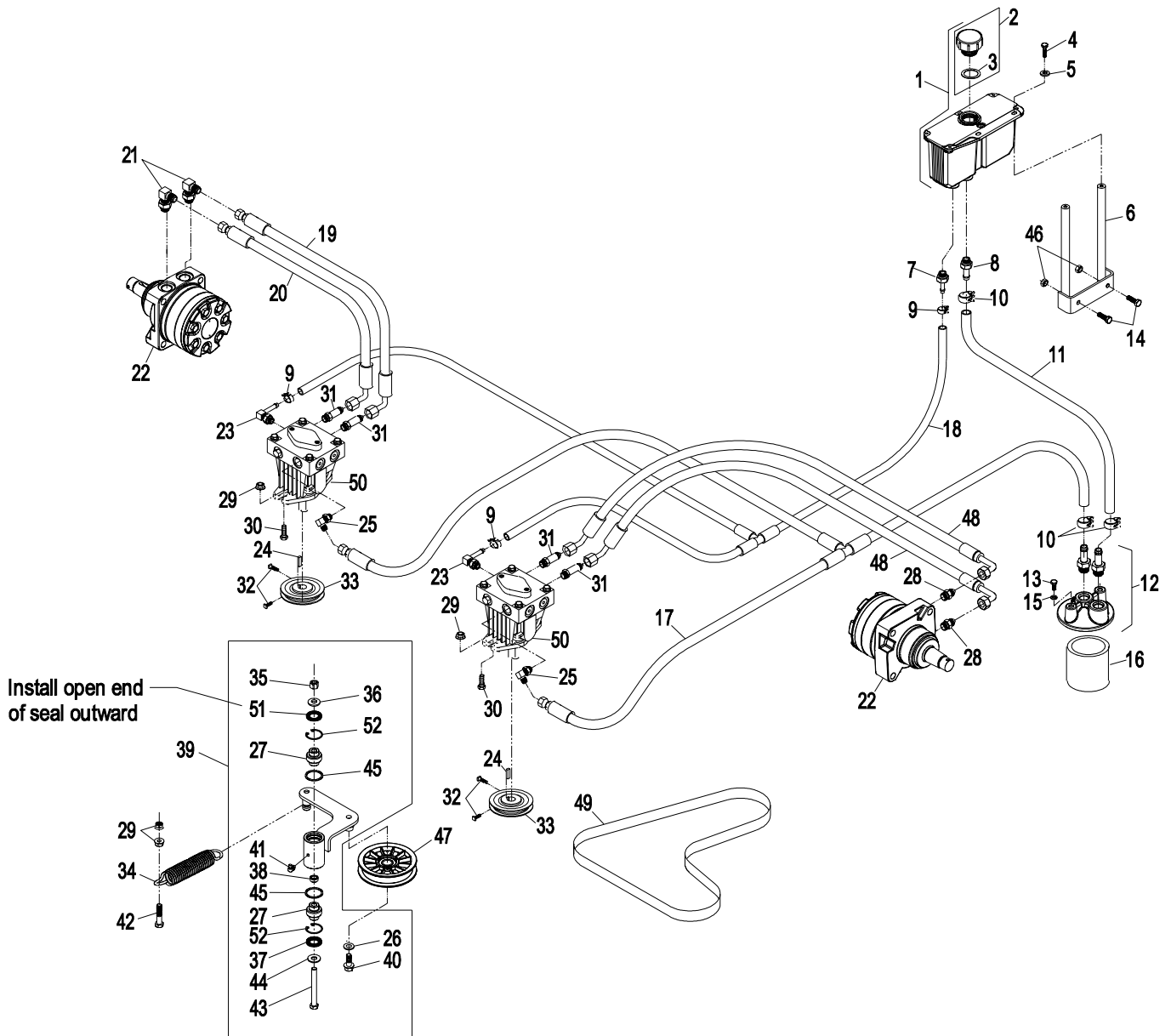
Exmark black touch up spray paint – gloss black.

▼ Use only for operation below 32°F (0°C).

◇ Use Pro-Lock, Nut Type (P/N 1-840022).



# HYDRAULIC GROUP



# ENGINE GROUP

Item	Part No.	Description	Qty.
1	103-3078-03	Strap, Engine Guard .....	2
2	32128-20	Nut, Whizlock 5/16-18 .....	20
3	322-3	Screw, 5/16-18x3/4 .....	2
4	33114-025	Screw, HH M8-1.25 x 20 (KAW).....	1
	3212-10	Screw, HH 7/16-20 x 2 1/2 (KOH) .....	1
5	1-653313	Gasket, (23 HP KAW).....	2
	1-653290	Gasket, (19 HP KAW).....	2
6	103-3426	Muffler, Kit (KOH).....	1
7	1-805005	Washer, Lock 5/16 Heavy (KOH).....	1
8	3256-3	Washer, 5/16 Std Flat .....	2
9	3296-29	Nut, Nyloc 5/16-18 (KAW).....	4
	32128-20	Nut, Whizlock 5/16-18 (KOH).....	4
10	322-10	Screw, HH 5/16-18 x 2 .....	4
11	103-3218-03	Wld, Tailpipe Guard .....	1
12◇	109-0876	Asm, Oil Drain W/Plug (KOH).....	1
13	109-8385-03	Anchor, Clutch (KOH) .....	1
	109-7070-03	Anchor, Clutch (KAW).....	1
14	103-3219-03	Guard, Rear LHP .....	1
15	1-805004	Washer, Lock 1/4 Hvy (KOH).....	4
	1-805004	Washer, Lock 1/4 Hvy (KAW) .....	3
16	32128-33	Nut, Flange 1/4-20 (KOH) .....	6
	32128-33	Nut, Flange 1/4-20 (KAW).....	4
17	3229-10	Screw, Carr 1/4-20 x 1/2 (KOH) .....	6
	3229-10	Screw, Carr 1/4-20 x 1/2 (KAW).....	4
18	103-3288-03	Guard, Muffler RH (56") .....	1
19	103-3287-03	Guard, Muffler LH (56") .....	1
20	1-807259	Key .....	1
21	103-9891	Spacer, Crankshaft (27 KOH) .....	1
	103-2308	Spacer, Crankshaft (KAW & 23 KOH)....	1
22	33113-020	Screw, HH M6-1 x 20mm (KOH).....	2
23	33013-00	Nut, Hex M6-1 (KOH).....	2
24	1-603610	Washer, Disc Spring 7/16 .....	2

Item	Part No.	Description	Qty.
25◆	3212-12	Screw, 7/16-20 x 3 (KAW) .....	1
◆	3212-10	Screw, 7/16-20 x 2 1/2 (KOH).....	1
26	1-303335	Plastic Tie (Large) .....	1
27	1-303334	Washer, Spring Disc.....	4
28	3256-23	Washer, 5/16 SAE Flat(46"&50").....	4
	3256-23	Washer, 5/16 SAE Flat (56") .....	12
29	103-2740-03	Shield, Heat.....	1
30	33113-016	Screw, HH M6-1 x 16mm (KAW) .....	2
31	33113-025	Screw, HH M6-1 x 25mm (KAW) .....	1
32	107-8421-03	Counterweight, 60# (56") .....	1
33	322-7	Screw, Cap HH 5/16-18x1 1/2 (56").....	8
34◇	109-4490	Asm, Hose Oil Drain W/Plug (KAW).....	1
35	109-1012	Plug.....	1
36	103-3427	Muffler, Kit 23HP (KAW).....	1
	103-4483	Muffler, Kit 19HP (KAW).....	1
37	103-2993-03	Bracket, Muffler LH (23 HP KAW) .....	1
	109-3476-03	Bracket, Muffler LH (19 HP KAW) .....	1
38	103-2994-03	Bracket, Muffler RH (23 HP KAW).....	1
	109-3477-03	Bracket, Muffler RH (19 HP KAW).....	1
39	1-653291	Gasket, (KOH).....	2
40	103-3094-03	Deflector, Air LH (KOH) .....	1
41	103-3095-03	Deflector, Air RH (KOH) .....	1
42	103-2987-03	Bracket, Muffler LH (KOH).....	1
43	103-2988-03	Bracket, Muffler RH (KOH) .....	1
44	109-9276	Clutch, W/Pigtail (KAW & 23 KOH) .....	1
	109-9275	Clutch, W/Pigtail (27 KOH) .....	1
	103-3012	Kit, Brake Pole Module .....	1
45	103-3913	Sheave, Pump Drive (KAW).....	1
	103-9772	Sheave, Pump Drive (KOH).....	1
46	322-5	Screw, HH 5/16-18 x 1 (46 & 50) .....	17
	322-5	Screw, HH 5/16-18 x 1 (56) .....	9

Exmark black touch up spray paint – gloss black.

- ◆ Use a Teflon Pipe Sealant or equivalent on threads.
- ◆ Use Pro-Lock, Nut Type (P/N 1-840022, .5ml tube) on clutch bolt.

### Kohler Replacement Parts List

(Refer to Engine Owner's Manual)

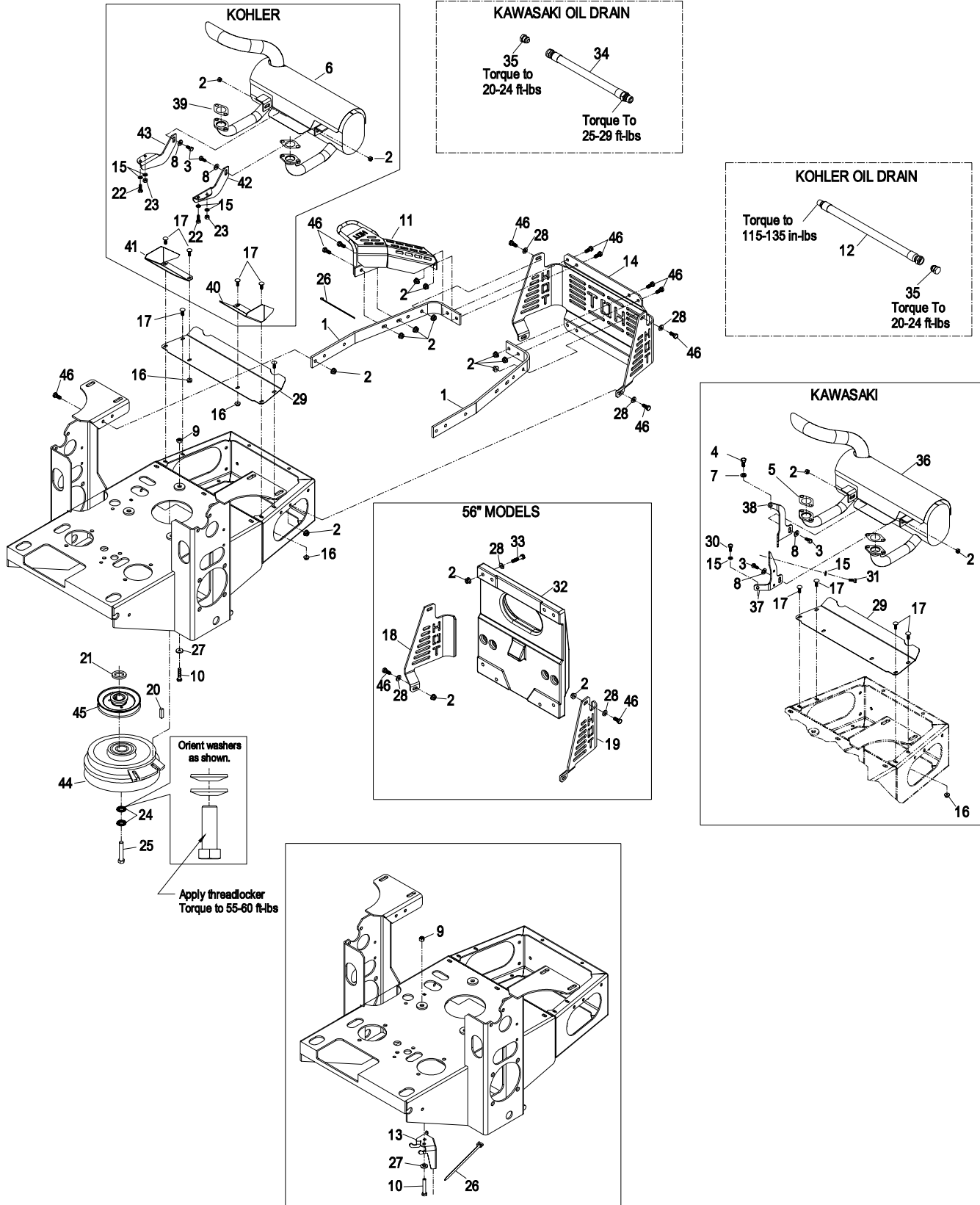
Description	Kohler P/N
Air Filter Element – Outer.....	2508301-S
Air Filter Element – Inner.....	2508304-S
Oil Filter.....	12 050 01

### Kawasaki Replacement Parts List

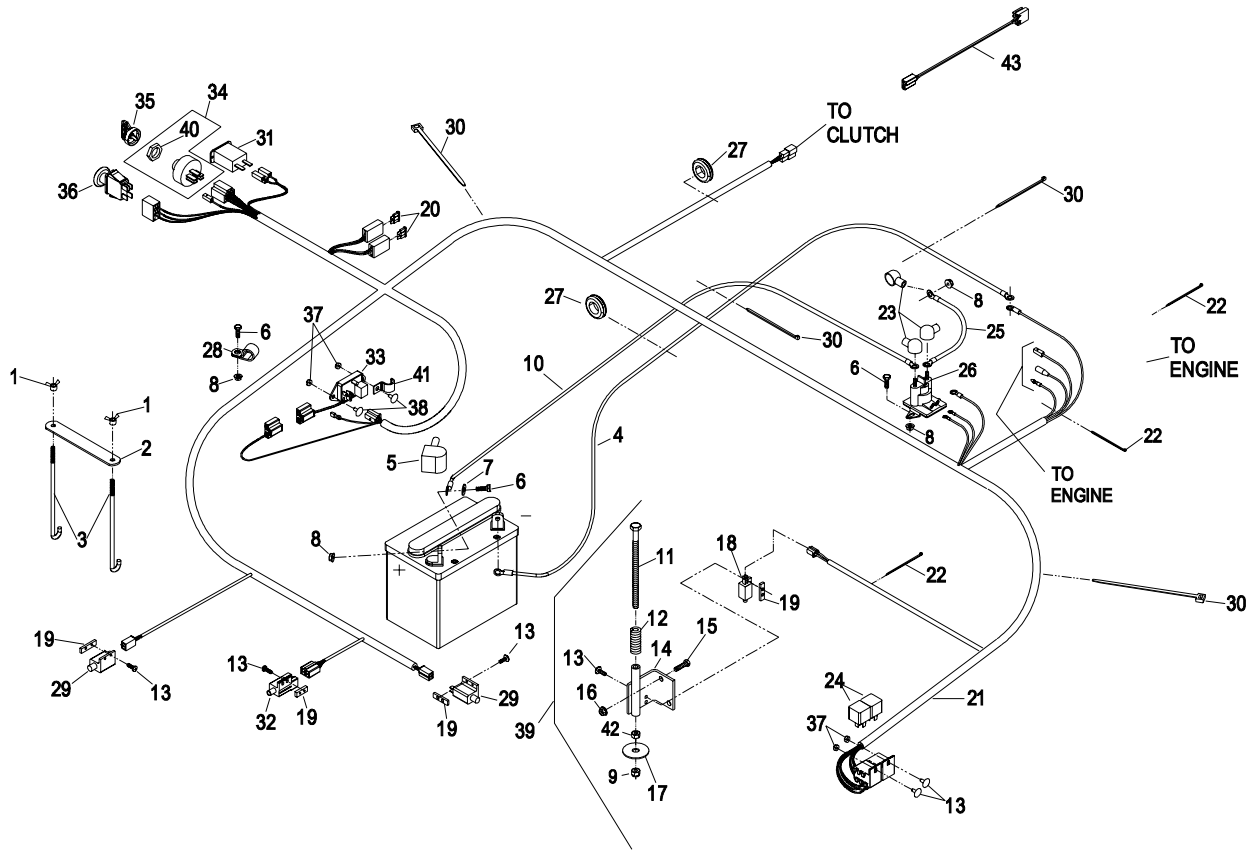
(Refer to Engine Owner's Manual)

Description	Kawasaki P/N
23 HP Air Filter Element Kit (Inner & Outer).....	11010-7004
19 HP Air Filter Element .....	11013-7028

# ENGINE GROUP



# KAWASAKI ELECTRICAL GROUP



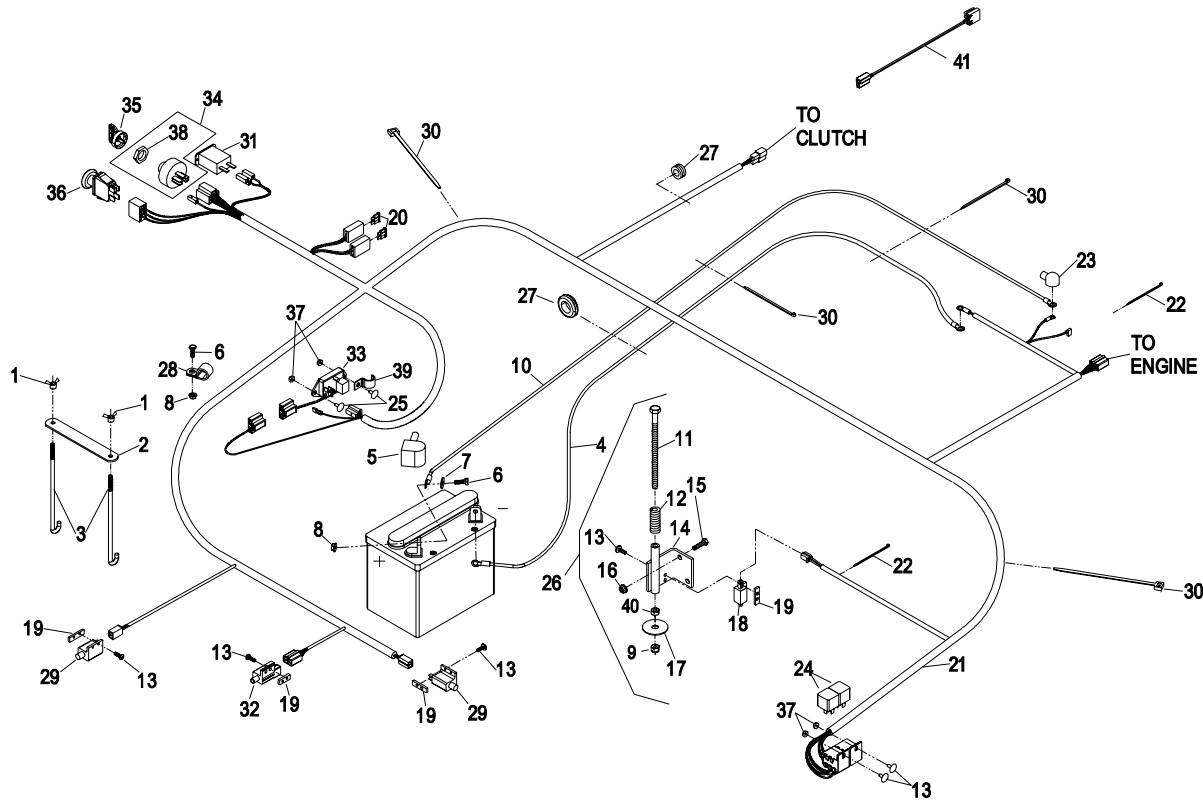
Item	Part No.	Description	Qty.
1	1-543792	Wingnut, Nyloc 1/4-20.....	2
2	107-9277-03	Strap, Battery Holdown.....	1
3	1-633651	Bolt, Battery Holdown.....	2
4	103-0705	Cable, Ground (-).....	1
5	109-2407	Insulator, Battery.....	1
6	321-4	Screw, 1/4-20 x 3/4.....	5
7	3256-2	Washer, 1/4 Flat.....	2
8	32128-33	Nut, 1/4-20 Whizlock.....	6
9	3296-29	Nut, Nyloc 5/16-18.....	1
10	109-7621	Cable, Battery (+).....	1
11	1-800282	Screw, 5/16-18 x 7.....	1
12	1-523415	Spring, Seat Switch.....	1
13	3290-500	Screw, #10-24 x 5/8.....	10
14	1-652072-03	Bracket W/dmt, Seat Switch.....	1
15	322-3	Screw, 5/16-18 x 3/4.....	2
16	32128-20	Nut, Whizlock 5/16-18.....	4
17	1-653036	Washer.....	1
18	1-513152	Switch, Seat.....	1
19	1-633181	Plate.....	4
20	1-816001	Fuse-20 Amp.....	2
21◆	103-9260	Harness, Wiring.....	1
22	1-303287	Plastic Tie, Small.....	2

Item	Part No.	Description	Qty.
23	1-543393	Insulator, Solenoid (+).....	3
24	1-643275	Relay, 12 V.....	2
25	109-7620	Cable, Starter (+).....	1
26	1-513075	Switch, 12V Solenoid.....	1
27	1-543286	Grommet.....	2
28	1-633396	Clip, Loom 5/8.....	1
29	1-513051	Switch, Drive Lever N.O.....	2
30	1-303335	Plastic Tie, Large.....	4
31	1-513374	Meter, Engine Hours.....	1
32	1-633111	Switch, Brake N.O./N.C.....	1
33	103-5218	Module, Seat Delay.....	1
34	109-4736	Asm, Switch W/Nut.....	1
35	103-2106	Key, Exmark Logo.....	1
	1-603511	Key, Ignition.....	1
36	103-5221	Switch, Blade.....	1
37	3296-2	Nut, Nyloc #10-20.....	4
38	1-803075	Screw-head, Truss [#10-24X.75].....	2
39	103-5685	Asm, Seat Switch Actuator.....	1
40	103-0498	Nut, Ignition.....	1
41	103-1193	Clip, Loom Half.....	1
42	3217-6	Nut, Hex 5/16-18.....	1
43	109-9274	Harness, Clutch.....	1

Exmark black touch up spray paint – gloss black.

◆ Use dielectric grease on all wiring harness connectors.

# KOHLER ELECTRICAL GROUP



Item	Part No.	Description	Qty.
1	1-543792	Wingnut, Nyloc 1/4-20.....	2
2	107-9277-03	Strap, Battery Holdown .....	1
3	1-633651	Bolt, Battery Holdown.....	2
4	103-0705	Cable, Ground (-).....	1
5	109-2407	Insulator, Battery.....	1
6	321-4	Screw, 1/4-20 x 3/4 .....	3
7	3256-2	Washer, 1/4 Flat .....	2
8	32128-33	Nut, 1/4-20 Whizlock .....	3
9	3296-29	Nut, Nyloc 5/16-18 .....	1
10	109-7630	Cable, Battery (+).....	1
11	1-800282	Screw, 5/16-18 x 7 .....	1
12	1-523415	Spring, Seat Switch.....	1
13	3290-500	Screw, #10-24 x 5/8 .....	10
14	1-652072-03	Bracket Wldmt, Seat Switch.....	1
15	322-3	Screw, 5/16-18 x 3/4 .....	2
16	32128-20	Nut, Whizlock 5/16-18.....	4
17	1-653036	Washer .....	1
18	1-513152	Switch, Seat.....	1
19	1-633181	Plate .....	4
20	1-816001	Fuse-20 Amp .....	2
21◆	103-9259	Harness, Wiring .....	1

Item	Part No.	Description	Qty.
22	1-303287	Plastic Tie, Small .....	2
23	1-543393	Insulator, Solenoid (+).....	1
24	1-643275	Relay, 12 V .....	2
25	1-803075	Screw-head, Truss [#10-24X.75].....	2
26	103-5685	Asm, Seat Switch Actuator .....	1
27	1-543286	Grommet .....	2
28	1-633396	Clip, Loom 5/8 .....	1
29	1-513051	Switch, Drive Lever N.O.....	2
30	1-303335	Plastic Tie, Large .....	4
31	1-513374	Meter, Engine Hours .....	1
32	1-633111	Switch, Brake N.O./N.C.....	1
33	103-5218	Module, Seat Delay .....	1
34	109-4736	Asm, Switch W/Nut.....	1
35	103-2106	Key, Exmark Logo .....	1
	1-603511	Key, Ignition .....	1
36	103-5221	Switch, Blade.....	1
37	3296-2	Nut, Nyloc #10-24 .....	4
38	103-0498	Nut, Ignition .....	1
39	103-1193	Clip, Loom Half .....	1
40	3217-6	Nut, Hex 5/16-18.....	1
41	109-9274	Harness, Clutch.....	1

Exmark black touch up spray paint – gloss black.

◆ Use dielectric grease on all wiring harness connectors.

## DECAL GROUP

Item	Part No.	Description	Qty.
1	103-4891	Decal, Console LHP.....	1
2	1-513748	Decal, Guard.....	1
3	109-1399	Decal, Anti-Scalp .....	1
4	109-2108	Decal, Triton 46" .....	1
5	1-513742	Decal, No step .....	2
6	107-2112	Decal, Danger slope .....	1
7	107-2102	Decal, ROPS folding.....	1
8	98-5954	Decal, Missing Cover.....	2
9	103-4892	Decal, Control LHP .....	1
10	1-303508	Decal, Discharge Warning .....	1
11	103-2076	Decal, Caution Hot Surface.....	2
12	109-1224	Decal, Belt Routing .....	1
13	1-403005	Decal, Danger .....	2
14	1-523552	Decal, Hyd Tank/Hot Surface.....	1

Item	Part No.	Description	Qty.
15	1-653147	Decal, Deck Height.....	1
16	109-3148	Decal, Bolt Torque .....	2
17	103-2644	Decal, Exhaust System.....	1
18	103-3142	Decal, LHP Model.....	1
19	103-6340	Decal, Check Service .....	1
20	103-2882	Decal, Exmark Logo .....	1
21	109-2109	Decal, Triton 50" .....	1
22	109-2110	Decal, Triton 56" .....	1
23	109-1196	Decal, Ignition/PTO .....	1
24	103-4930	Decal, Choke .....	1
25	109-0872	Decal, Baffle Adjustment .....	1
26	108-5995	Decal, Top Console .....	1
	103-4581	Decal Kit	

# DECAL GROUP

1

RELEASE

PARK BRAKE

ENGAGE

**⚠ DANGER**

To avoid serious injury or death:

- Avoid blades unless engine and blades are stopped.

**⚠ WARNING**

To avoid serious injury or death:

- Pick up objects that could be thrown by the blades.
- Do NOT mow when people and pets are in the area.
- Do NOT carry passengers.
- Look behind and to the side before changing directions.
- Before leaving operator's position:
  - Disengage PTO.
  - Move drive levers out to neutral lock position.
  - Engage park brake.
  - Stop engine.

**eXmark**

**⚠ WARNING**

To avoid serious injury or death:

- Read and understand the operator's manual before using this machine.
- Do NOT operate unless trained to safely use this machine.
- Do NOT operate under the influence of alcohol or drugs.
- Do NOT operate without shields, guards, and safety devices in place and working.
- Check the function of the operator presence controls (OPC) safety system daily. Do NOT defeat the OPC system.
- Stop engine and remove key before adjusting, servicing, or cleaning machine and attachments.
- Hearing protection is recommended.

CUTTING HEIGHT

103-4891

2

**⚠ CAUTION**

DO NOT OPERATE WITHOUT GUARD IN PLACE.

3

**ANTI-SCALP ROLLER ADJUSTMENT**

For normal operating conditions, place rollers in positions shown for proper ground clearance.

CUTTING HEIGHT (INCHES/mm)

1.0 (25)
2.0 (51)
3.0 (76)
4.0 (102)

FOR MAXIMUM FLOTATION rollers may be positioned lower, but must maintain a minimum of 1/4" (6.4 mm) ground clearance. Never position the rollers to support the mower deck. 103-1223

4

**TRITON 46**

High-Capacity Cutting Platform

5

**NO STEP**

6

**⚠ WARNING**

- Operating on wet grass or steep slopes can cause sliding and loss of control.
- Wheels dropping over edges can cause rollovers, which may result in serious injury, death or drowning.
- To avoid loss of control and possibility of rollover:
  - Do NOT operate near drop-offs or near water.
  - Do NOT operate on slopes greater than 15°.
- Reduce speed and use extreme caution on slopes.
- Avoid sudden turns or rapid speed changes.
- There is no roll over protection when the roll bar is down.
- Always keep roll bar in the raised and locked position and use seat belt.
- Read and follow roll over protection instructions and warning. 103-2112

7

**⚠ WARNING**

TO AVOID INJURY OR DEATH FROM ROLLOVER:

Keep roll bar in the raised and locked position and use seat belt.

THERE IS NO ROLL OVER PROTECTION WHEN THE ROLL BAR IS DOWN.

Lower the roll bar only when absolutely necessary.

Do not wear seat belt when the roll bar is down.

Drive slowly and carefully.

Raise the roll bar as soon as clearance permits.

Read and follow slope operation instructions and warnings. 103-2102

8

**⚠ DANGER**

COVER IS MISSING. DO NOT OPERATE UNTIL THIS UNIT, WHEN COVERS IS NOT IN PLACE.

9

**eXmark**

10

**⚠ WARNING**

DO NOT OPERATE WITHOUT DISCHARGE DEFLECTOR, ENTIRE GRASS COLLECTION SYSTEM, OR MULCH KIT IN PLACE. DO NOT REMOVE GRASS CATCHER UNTIL BLADES HAVE STOPPED.

11

**⚠ CAUTION**

HOT SURFACE

12

**BELT ROUTING**

BELT:

- 103-2523 - 46"
- 103-2205 - 50"
- 103-0096 - 56"

13

**⚠ DANGER**

KEEP HANDS and FEET AWAY

14

HYDRAULIC OIL - USE ONLY

MOBIL 1 SAE 15W-50 SYNTHETIC ENGINE OIL

FILL TO TOP OF BAFLE

**⚠ CAUTION**

HOT SURFACE

15

4.0  
3.5  
3.0  
2.5  
2.0

16

Lubricate Blade Bolt threads with copper based anti-seize or grease and torque to 55-60 ft-lbs (75-81 N-m) 103-2420

17

**⚠ WARNING**

Hot exhaust components may ignite fuel or debris.

Fire or explosion may occur, resulting in property damage, personal injury or death.

Do not operate without entire exhaust system in place and in proper working condition. 103-2020

18

**LAZER Z HP**

19

**CHECK/SERVICE REFERENCE AID**

GREASE LUBE POINTS AT INTERVALS SHOWN.

① CHECK HYDRAULIC FLUID AT INTERVAL SHOWN. (USE ONLY MOBIL 1 15W-50 SYNTHETIC MOTOR OIL.)

② SEE ENGINE OPERATOR'S MANUAL FOR SERVICING ENGINE.

③ CHECK TIRE PRESSURE IN PNEUMATIC TIRES - 13 PSI AT INTERVAL SHOWN. SEE OPERATOR MANUAL FOR ADDITIONAL DETAILS.

40 HOURS ① 40 HOURS ② 40 HOURS ③

YEARLY ④ 200 HOURS ⑤ 40 HOURS ⑥ YEARLY ⑦ 40 HOURS ⑧ YEARLY ⑨ 40 HOURS ⑩ YEARLY ⑪ 40 HOURS ⑫ YEARLY ⑬ 40 HOURS ⑭ YEARLY ⑮ 40 HOURS ⑯ YEARLY ⑰ 40 HOURS ⑱ YEARLY ⑲ 40 HOURS ⑳ YEARLY ㉑ 40 HOURS ㉒ YEARLY ㉓ 40 HOURS ㉔ YEARLY ㉕ 40 HOURS ㉖ YEARLY ㉗ 40 HOURS ㉘ YEARLY ㉙ 40 HOURS ㉚ YEARLY ㉛ 40 HOURS ㉜ YEARLY ㉝ 40 HOURS ㉞ YEARLY ㉟ 40 HOURS ㊱ YEARLY ㊲ 40 HOURS ㊳ YEARLY ㊴ 40 HOURS ㊵ YEARLY ㊶ 40 HOURS ㊷ YEARLY ㊸ 40 HOURS ㊹ YEARLY ㊺ 40 HOURS ㊻ YEARLY ㊼ 40 HOURS ㊽ YEARLY ㊾ 40 HOURS ㊿ YEARLY 103-4316

20

**eXmark**

21

**TRITON 50**

High-Capacity Cutting Platform

22

**TRITON 56**

High-Capacity Cutting Platform

23

Engage and disengage at 1/2 throttle.

OFF ON P T O

START

103-1186

24

**STOP**

103-4020

25

**BAFFLE ADJUSTMENT**

CUTTING HEIGHT (INCHES/mm)

- 4.5 (114) and Higher (3 Visible Holes)
- 3.5 (89) - 4.25 (108) (2 Visible Holes)
- 1.0 (25) - 3.75 (93) (1 Visible Hole)

103-2522

26

**⚠ WARNING**

Battery contains sulfuric acid. Avoid contact and always shield eyes, face, skin and clothing from battery. Cigarettes, flames or sparks could cause battery to explode. Do not charge or use booster cables or adjust post connections without proper training. In event of an accident flush with water immediately. Keep out of reach of children. 103-5185

MOTION CONTROL

↑

↺

N

↓

Drive Wheel Release

One hand counter-clockwise to release. Do not pedal. 103-5185

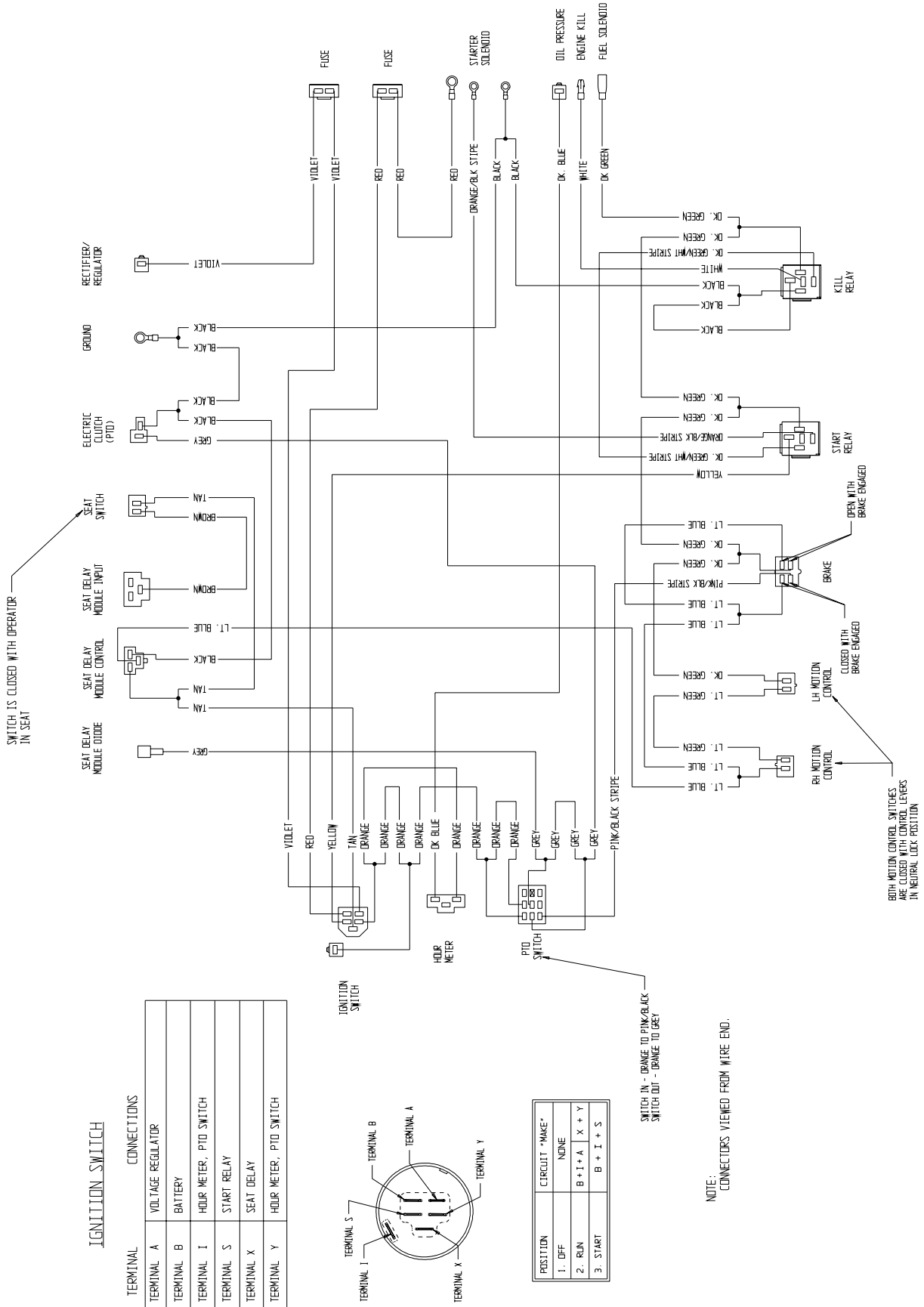
↑

↺

N

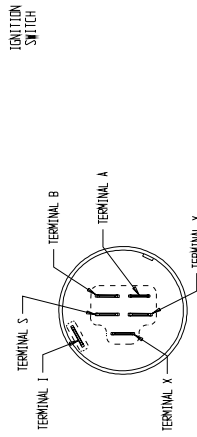
↓

# KAWASAKI ELECTRICAL DIAGRAM



## IGNITION SWITCH

TERMINAL	CONNECTIONS
TERMINAL A	VOLTAGE REGULATOR
TERMINAL B	BATTERY
TERMINAL I	HOUR METER, PTO SWITCH
TERMINAL S	START RELAY
TERMINAL X	SEAT DELAY
TERMINAL Y	HOUR METER, PTO SWITCH



POSITION	CIRCUIT "MAKE"
1. OFF	NONE
2. RUN	B + I + A X + Y
3. START	B + I + S

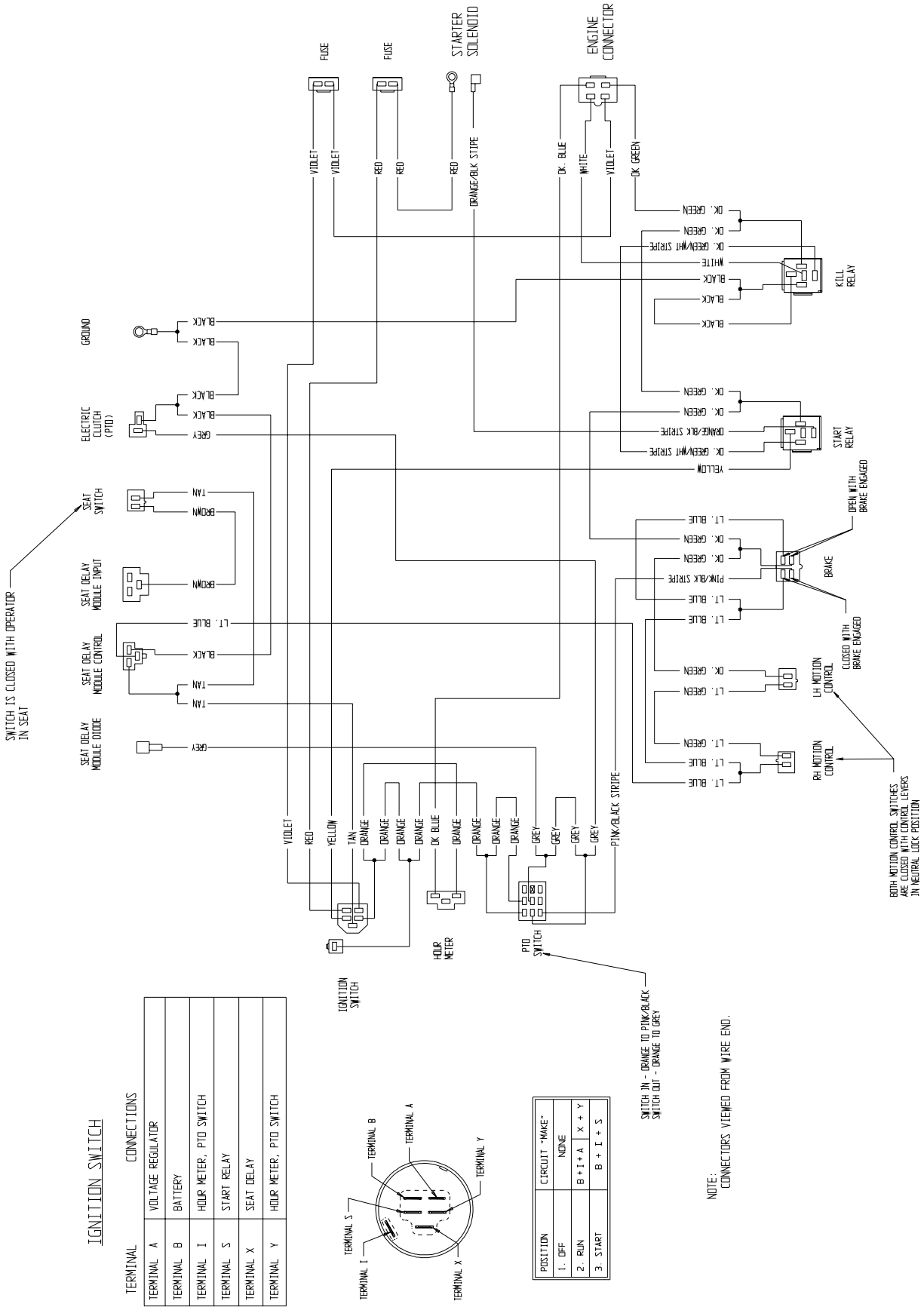
SWITCH IN - ORANGE TO PINK/BLACK  
SWITCH OUT - ORANGE TO GREY

NOTE:  
CONNECTORS VIEWED FROM WIRE END.

BOTH MOTION CONTROL SWITCHES  
ARE CLOSED WITH CONTROL LEVERS  
IN NEUTRAL LOCK POSITION

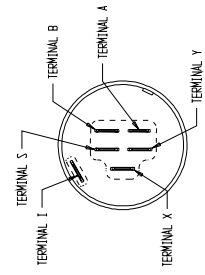


# KOHLER ELECTRICAL DIAGRAM



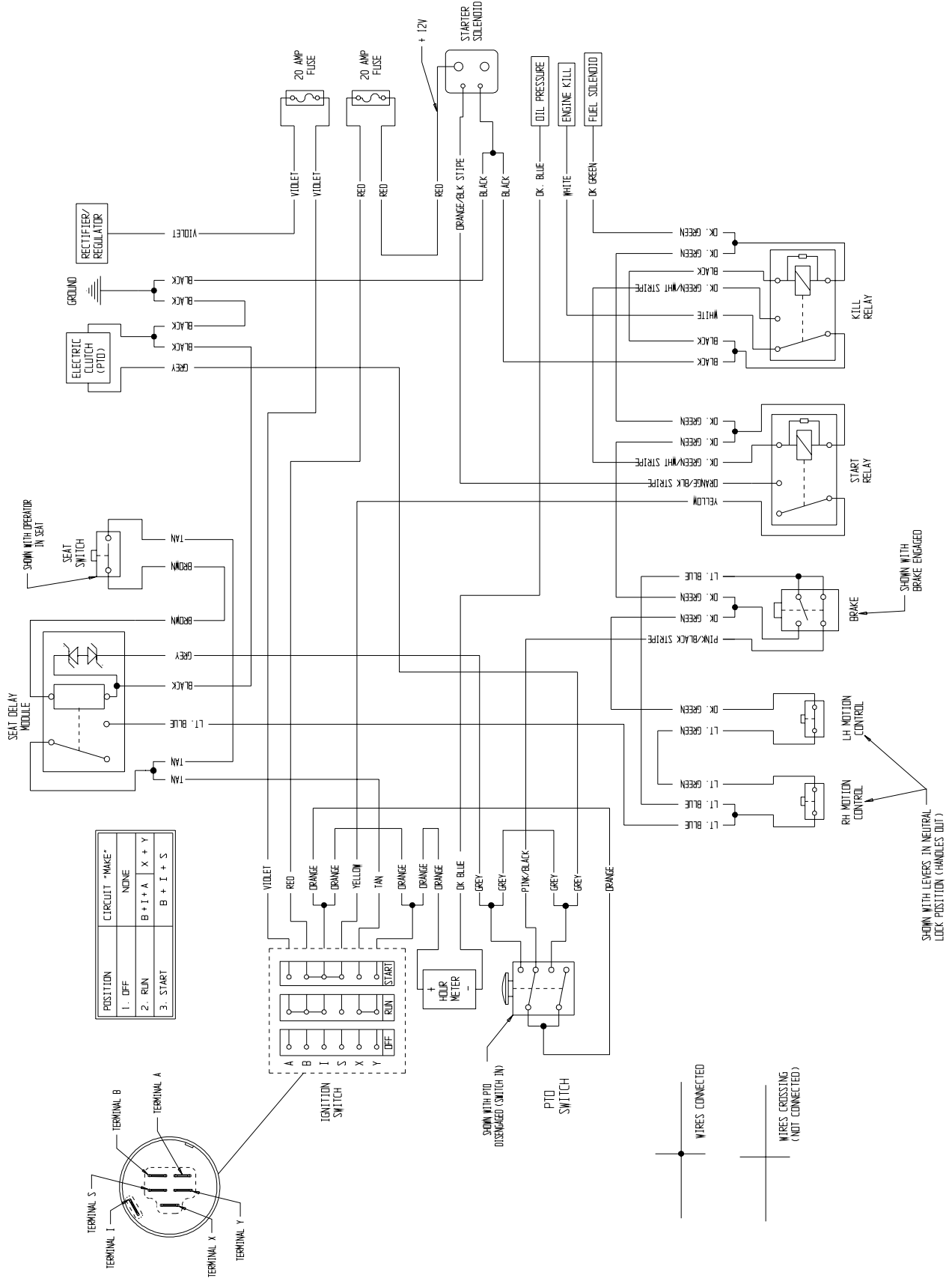
## IGNITION SWITCH

TERMINAL	CONNECTIONS
TERMINAL A	VOLTAGE REGULATOR
TERMINAL B	BATTERY
TERMINAL I	HOUR METER, PTO SWITCH
TERMINAL S	START RELAY
TERMINAL X	SEAT DELAY
TERMINAL Y	HOUR METER, PTO SWITCH

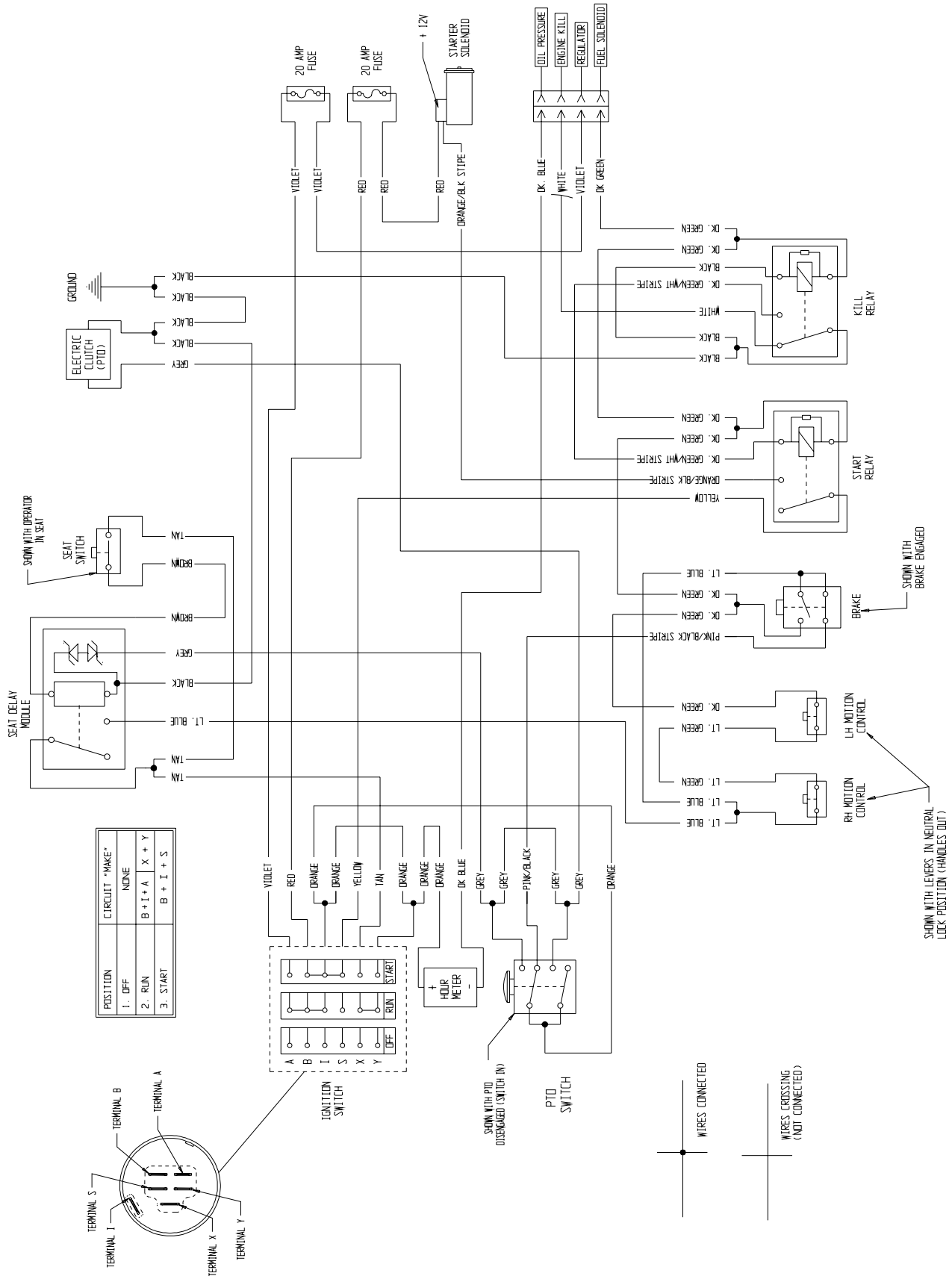


POSITION	CIRCUIT "MAKE"
1. OFF	NONE
2. RUN	B + I + A   X + Y
3. START	B + I + S

# KAWASAKI ELECTRICAL LOGIC SCHEMATIC



# KOHLER ELECTRICAL LOGIC SCHEMATIC



# SEE EXMARK'S COMPLETE LINE OF ACCESSORIES

## MID-MOUNT RIDING ACCESSORIES

CUSTOM RIDE SEAT SUSPENSION SYSTEM	ROLL OVER PROTECTION SYSTEM (ROPS)
DECK LIFT ASSIST KIT	SNOW BLADE
HITCH KIT	SUN SHADE
LAZERLOCKER	TRASH CONTAINER
LIGHT KIT	TURF STRIPER
MICRO-MULCH SYSTEM	ULTRA VAC COLLECTION SYSTEM
OPERATOR CONTROLLED DISCHARGE	ULTRA VAC QUICK DISPOSAL SYSTEM

## OUT-FRONT RIDING ACCESSORIES

CUSTOM RIDE SEAT SUSPENSION SYSTEM	SNOW BLADE
DUAL-TAIL WHEEL	SNOWBLOWER
FLOOR PAN EXTENDER	SUN SHADE
HITCH KIT	TRASH CONTAINER
LIGHT KIT	ULTRA VAC COLLECTION SYSTEM
MICRO-MULCH SYSTEM	ULTRA VAC QUICK DISPOSAL SYSTEM
ROLL OVER PROTECTION SYSTEM (ROPS)	WEATHER CAB
ROTARY BROOM	

## WALK-BEHIND ACCESSORIES

GRASS CATCHER	TURF STRIPER
LAZERLOCKER	STANDON
MICRO-MULCH SYSTEM	

Place Model No. and Serial No.  
Label Here (Included in the Literature  
Pack or Fill in Below)

Model No. \_\_\_\_\_

Serial No. \_\_\_\_\_

Date Purchased \_\_\_\_\_

Engine Model No. and Spec. No. \_\_\_\_\_

Engine Serial No. (E/No) \_\_\_\_\_

© 1997—2008 Exmark Mfg. Co., Inc.  
Industrial Park Box 808  
Beatrice, NE 68310  
All Rights Reserved

Part No. 4500-252 Rev. B  
(402) 223-6300  
Fax (402) 223-5489  
Printed In USA.



[www.exmark.com](http://www.exmark.com)