



CD42CD/CD48CD

**For Serial Nos.
790,000 & Higher**
Part No. 4500-371 Rev. A

Parts Manual

EXMARK PARTS PLUS

PARTS

OVERNIGHT
OR *FREE**

If your Exmark dealer does not have the Exmark part in stock, Exmark will get the parts to the dealer the next business day or the part will be FREE Guaranteed!! (Some restrictions apply. See your participating Exmark Dealer for details.)



**READ OPERATOR'S MANUAL BEFORE
OPERATING OR SERVICING EXMARK EQUIPMENT.**

TABLE OF CONTENTS

<u>Description</u>	<u>Page</u>
Decal Group	9
Deck Group	4-5
Front Frame Group	6-7
Gearbox Components	8

DECK GROUP

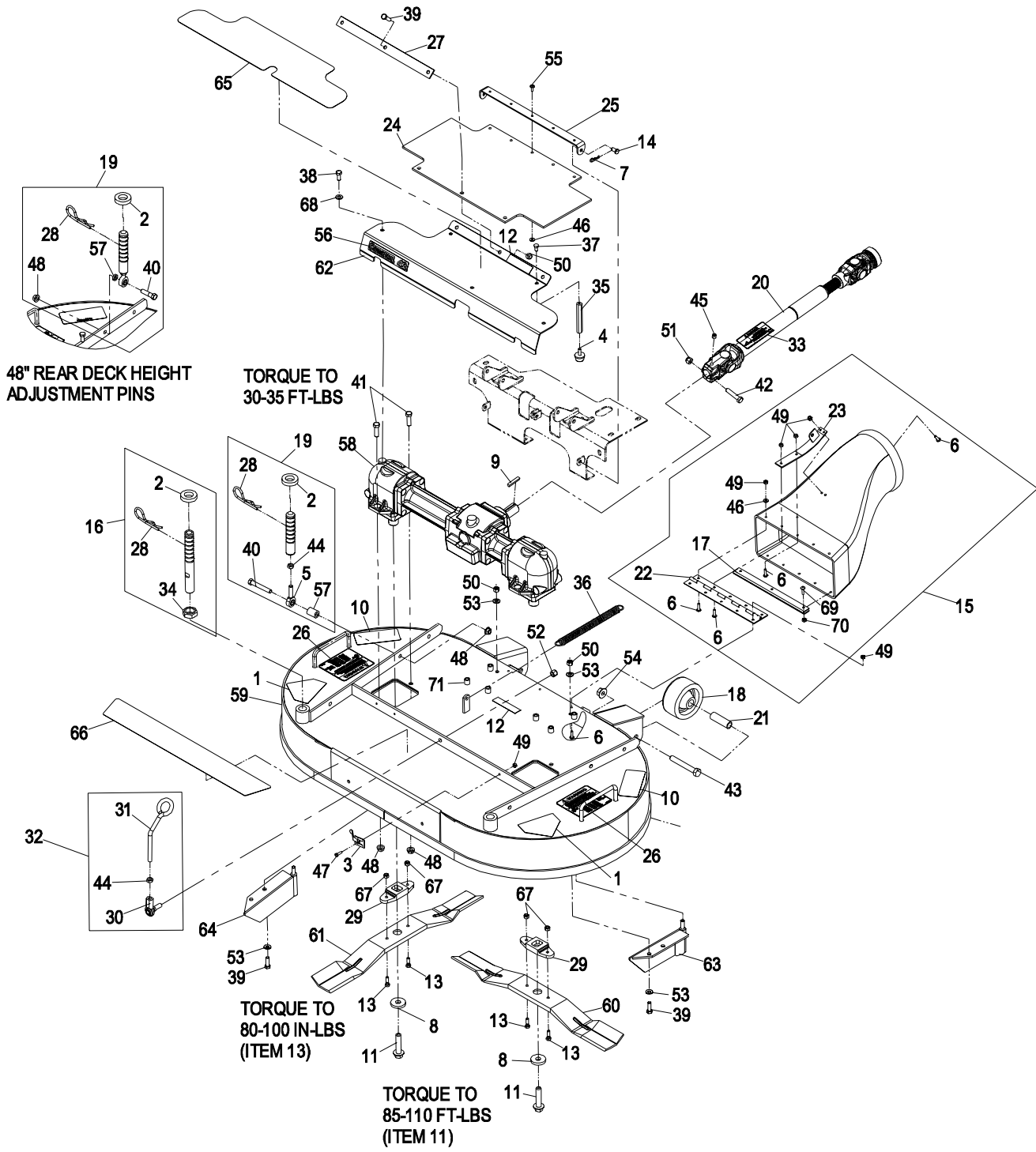
Item	Part No.	Description	Qty.
1	1-403005	Danger, Decal.....	2
2	1-413425	Spacer, Deck Support.....	4
3	1-513690	Clip, Deck Holdup Rod.....	1
4	109-2365	Bumper.....	2
5	1-613204	Balljoint.....	2
6	1-803075	Screw, Truss Head #10-24 x 3/4.....	8
7	1-806003	Hairpin, Cotter.....	2
8	30-8770	Washer.....	2
9	67-7490	Key, Machine 1/4 x 1/4 x 1 1/2.....	1
10	68-8340	Decal, Blade Bolt Torque.....	2
11	92-5816	Bolt, Blade 1/2-20 x 2 1/4.....	2
12	98-5954	Decal, Danger.....	2
13	99-0283	Bolt, Shear 1/4-20 x 7/8.....	4
14	1-808280	Pin, Clevis 5/16 x 1.....	2
15	103-9487	Asm, Discharge Tube.....	1
16	109-0321	Asm, Front Deck Height Adj.....	2
17	109-2228-03	Guard, Plenum.....	1
18	103-3700	Roller, Deck.....	2
19+	109-0322	Asm, Rear Deck Height Adj. (42").....	2
	109-0323	Asm, Rear Deck Height Adj. (48").....	2
20	103-9485	Asm, Drive Shaft W/Decal.....	1
	103-9327	Asm, Cross "U" Joint.....	2
	103-9328	Yoke, Keyed.....	1
	103-9329	Yoke, Quick Disconnect.....	1
21	103-4230	Spacer, Roller.....	2
22	103-4974	Hinge.....	1
23	103-5868-01	Wld, Spring Mount.....	1
24	103-5979	Guard, PTO.....	1
25	103-6183-03	Bracket, PTO Guard.....	1
26	103-6230	Decal, Cutting Height Adjustment.....	2
27	103-6290-03	Plate, Drive Line Cover.....	1
28	103-7353	Hairpin, Cut Height.....	4
29	103-7705	Driver, Blade.....	2
30	103-7994	Balljoint.....	1
31	103-8307	Latch, Deck.....	1
32■	103-8363	Asm, Deck Latch.....	1
33	103-8425	Decal, Driveline.....	1
34	103-8496	Nut, Jam 7/8-9.....	2
35	103-8610	Stand-Off, 1/2 Hex.....	2
36	103-8841	Spring.....	1
37	321-2	Screw, HH 1/4-20 x 1/2.....	2
38	322-3	Screw, HH 5/16-18 x 3/4.....	3
39	322-5	Screw, HH 5/16-18 x 1.....	5

Item	Part No.	Description	Qty.	
40	323-11	Screw, HH 3/8-16 x 2 1/4 (42").....	2	
	323-8	Screw, HH 3/8-16 x 1 1/2 (48").....	2	
41	323-7	Screw, HH 3/8-16 x 1 1/4.....	4	
42	323-9	Screw, HH 3/8-16 x 1 3/4.....	1	
43	325-14	Screw, HH 1/2-13 x 3 1/2.....	2	
44	3219-3	Nut, Hex 3/8-24.....	3	
45▲	3247-2	Setscrew, 3/8-16 x 3/8.....	1	
46	3256-14	Washer, #10 Std.....	9	
47	3290-134	Screw, HH Machine 10-24 x 5/8.....	1	
48	3290-357	Nut, Whizlock 3/8-16.....	6	
49	3296-2	Nut, Nyloc #10-24.....	8	
50	3296-29	Nut, Nyloc 5/16-18.....	5	
51	3296-39	Nut, Nyloc 3/8-16.....	1	
52	3296-6	Nut, Nyloc 3/8-24.....	1	
53	1-303334	Washer, Spring Disk 5/16.....	4	
54	32128-49	Nut, Whizlock 1/2-13.....	2	
55	114439	Rivet.....	5	
56	103-9024	Decal, Commercial (42").....	1	
	1-403131	Decal, Commercial (48").....	1	
57	106-5620	Spacer (42").....	2	
	106-5597	Spacer (48").....	2	
58◇	103-3460	Gearbox,(42") Std.....	1	
	◇	103-3387	Gearbox,48 Std.....	1
59●	109-4373	Asm, Deck W/Decals (42").....	1	
	●	109-4372	Asm, Deck W/Decals (48").....	1
60	103-4209	Blade, LH (42") Black.....	1	
	103-4207	Blade, LH (48") Black.....	1	
61	103-4210	Blade, RH (42") Red.....	1	
	103-4208	Blade, RH (48") Red.....	1	
62○	103-9497	Asm, Gearbox Cover W/Decal (42").....	1	
	○	103-9496	Asm, Gearbox Cover W/Decal (48").....	1
63	109-4053-01	Wld, Baffle Discharge LH.....	1	
64	109-4054-01	Wld, Baffle Discharge RH.....	1	
65	103-8626	Pad, Anti Skid (42").....	1	
	103-8629	Pad, Anti Skid (48").....	1	
66	103-8667	Pad, Anti Skid (42").....	1	
	103-8630	Pad, Anti Skid (48").....	1	
67	3296-42	Nut, Nyloc 1/4-20.....	4	
68	3256-23	Washer, 5/16 SAE.....	3	
69	1-807533	Bolt, Carriage #10-24 x 5/8.....	3	
70	3296-12	Nut, Nyloc #10-24 Thin.....	3	
71	32148-7	Insert, Threaded 5/16-18.....	6	

Exmark red touch up paint (spray paint - P/N 1-850337 - .6 oz liquid bottle - P/N 103-9140).

- ▲ Use Pro-Lock, Nut Type (P/N 1-840022, .5ml tube) on setscrew, item #45.
- Deck assembly includes anti skid pad, item #66.
- Gearbox cover assembly includes anti skid pad, item #62.
- Deck latch assembly includes nyloc nut, item #52.
- + Rear deck height adj. assembly includes (1) whizlock nut. Item #48.
- ◇ Fill gearbox sections to drain/fill plug with Mobil SHC (synthetic) 75w-90 gear lube oil.

DECK GROUP



FRONT FRAME GROUP

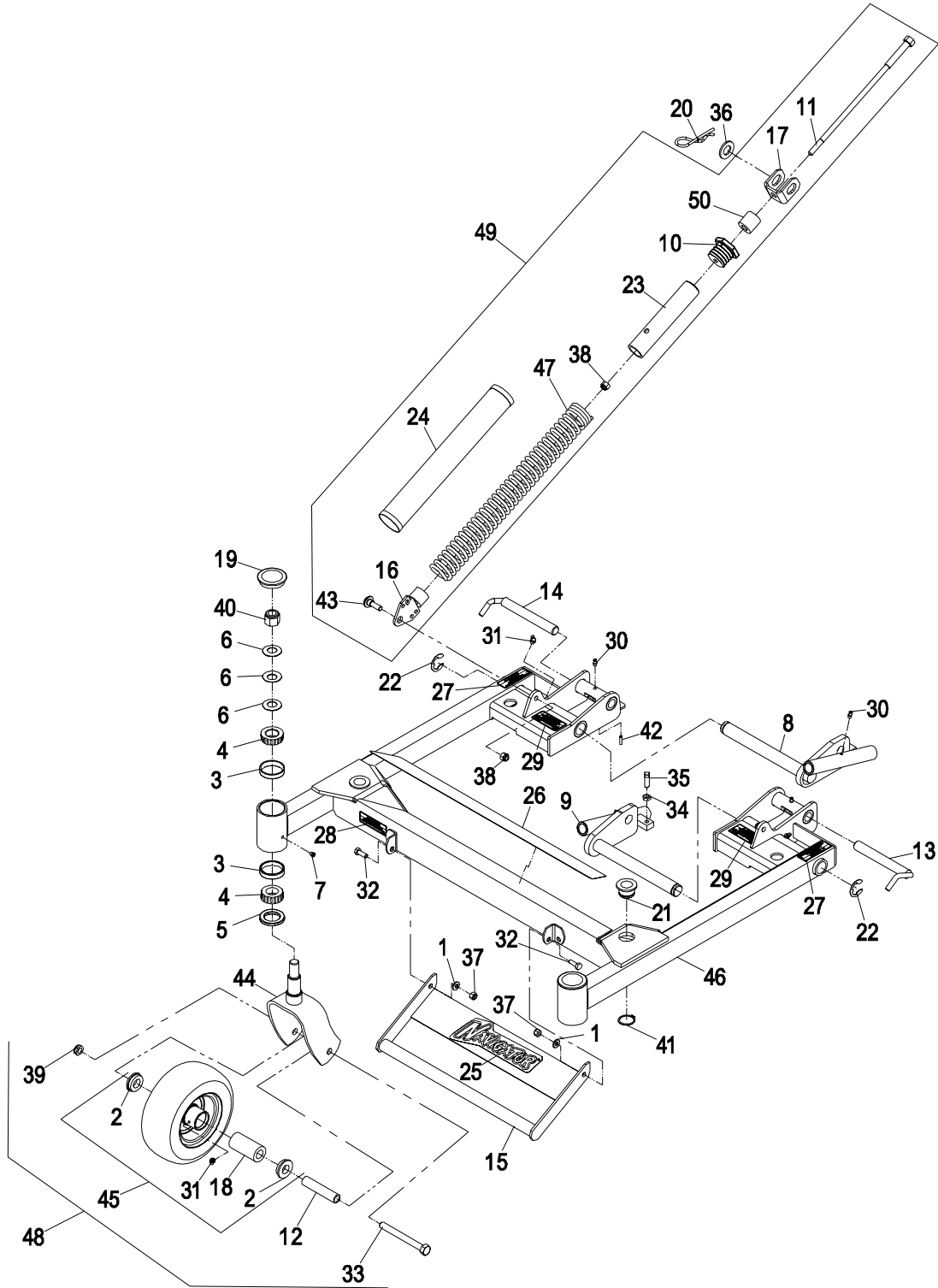
Item	Part No.	Description	Qty.
1	1-303334	Washer, Spring Disk 5/16	2
2	1-513810	Bushing, Flanged.....	4
3	1-543508	Cup, Bearing Tapered Roller	4
4	1-543509	Cone, Bearing Tapered Roller.....	4
5	1-543511	Seal, Grease.....	2
6	1-633508	Washer, Spring Disk.....	6
7	1-811010	Plug	2
8■	103-3729-01	Wld, Deck Pivot (RH).....	1
9■	103-3732-01	Wld, Deck Pivot (LH)	1
10	103-3772	Plug, Spring Adjuster	2
11	103-3773	Shaft, Spring Adjustment	2
12	109-2094	Spacer, Front Caster.....	2
13	103-4118	Wld, Deck Lock (LH).....	1
14	103-4119	Wld, Deck Lock (RH)	1
15	103-9482	Asm, Deck Lift Handle W/Decal.....	1
16	103-4284	Wld, Spring Tensioner	2
17	103-4285	Mount, Deck Lift Spring.....	2
18	103-4588	Bearing, Roller Straight.....	2
19	103-4882	Cap, Grease	2
20	103-7353	Pin, Cut Height.....	2
21	103-7436	Bushing, Deck Support	2
22	1-808519	E-Ring.....	2
23	103-7865	Wld, Spring Tube.....	2
24	103-7971	Cover, Deck Spring.....	2
25	103-8504	Decal, Navigator Model.....	1
26	103-8667	Pad, Anti Skid (42").....	1
	103-8630	Pad, Anti Skid (48").....	1

Item	Part No.	Description	Qty.
27	103-8797	Decal, Folding Deck.....	2
28	103-8798	Decal, Danger.....	1
29	103-8799	Decal, Spring	2
30	302-19	Zerk, 1/4-28 Str.....	4
31	302-61	Zerk, 45° 1/4-28.....	4
32	322-4	Screw, HH 5/16-18 x 7/8.....	2
33	325-19	Screw, HH 1/2-13 x 5.....	2
34	3218-3	Nut, Jam 3/8-16.....	2
35	3243-5	Setscrew, SQH 3/8-16 x 1	2
36	3256-28	Washer, 3/4 SAE.....	2
37	3296-29	Nut, Nyloc 5/16-18.....	2
38	3296-39	Nut, Nyloc 3/8-16.....	4
39	3296-45	Nut, Nyloc 1/2-13.....	2
40	3296-51	Nut, Nyloc 3/4-10.....	2
41	32120-33	Ring, Retaining	2
42	32121-3	Rollpin 3/16 x 3/4.....	2
43	614672	Screw, Shoulder 3/8-16 x 1.295.....	2
44	109-1933-01	Wld, Fork & Spindle.....	2
45	103-4324	Asm, Wheel & Tire 8x3.00-4 Sp.....	2
46▲	103-9481	Asm, Front Frame W/Decals (42").....	1
▲	103-9480	Asm, Front Frame W/Decals (48").....	1
47	103-4281	Spring, Extension.....	2
48	103-9495	Asm, Caster Wheel W/Axle	2
49●	103-4280	Asm, Spring Lift Assist (48")	2
	109-1979	Asm, Spring Lift Assist (42")	2
50	109-1978	Spacer (42" Only)	2

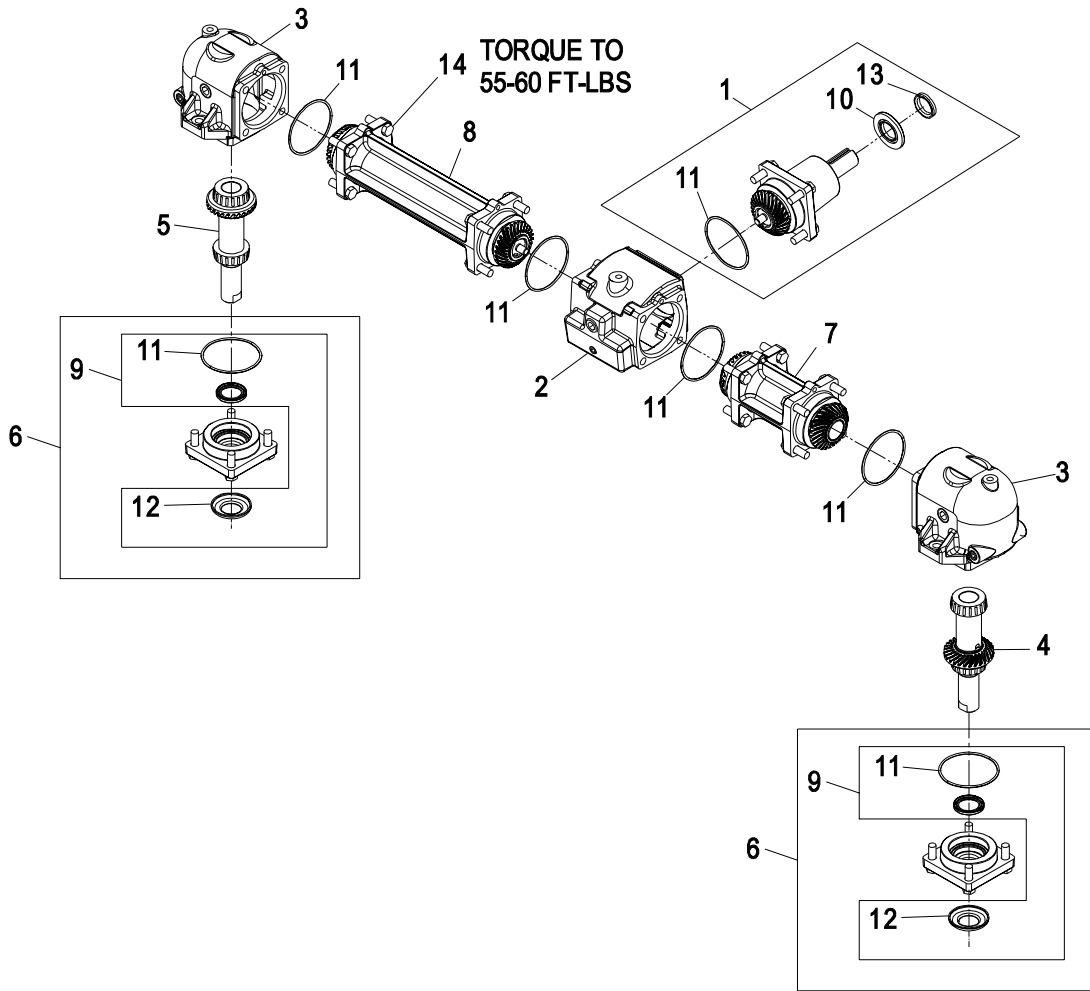
Exmark red touch up paint (spray paint - P/N 1-850337 - .6 oz liquid bottle - P/N 103-9140).

- ▲ Includes frame weldment plus items #7, #13, #14, #19, #21, #25, #37, #38, and Decals.
- Include zerk, item #30.
- Includes (2) nyloc nuts, item #38.

FRONT FRAME GROUP



GEARBOX COMPONENTS FOR 103-3460 & 103-3387



Item	Part No.	Description	Qty.
1	109-0188	Asm, Input Pinion 42".....	1
	109-0189	Asm, Input Pinion 48".....	1
2▲	109-0190	Center Housing W/Plugs.....	1
3▲	109-0191	End Housing W/Plugs & Race	2
4●	109-0192	Output Shaft, Gear & Brgs (42" LH)	1
●	109-0193	Output Shaft, Gear & Brgs (48" LH)	1
5●	109-0194	Output Shaft, Gear & Brgs (42" RH).....	1
●	109-0195	Output Shaft, Gear & Brgs (48" RH).....	1
6□	109-0196	Output Cap W/Race.....	2
7▲□	109-0197	Asm, Connector Tube 42" Short.....	1

Item	Part No.	Description	Qty.
▲	109-0198	Asm, Connector Tube 48" Short	1
8▲□	109-0199	Asm, Connector Tube 42" Long.....	1
▲	109-0200	Asm, Connector Tube 48" Long.....	1
9	109-0201	Kit, Output Seal	2
10✚	109-0202	Seal, Input	1
11	109-0203	O-ring	7
12	109-0204	Washer, Cupped.....	1
13✚	109-0205	V-ring.....	1
14	93-3987	Screw, HH 3/8-24 x 1 1/4 Gr8.....	28

Exmark red touch up paint (spray paint - P/N 1-850337 - .6 oz liquid bottle - P/N 103-9140).

Fill gearbox sections to drain/fill plug with Mobil SHC (synthetic) 75w-90 gear lube oil

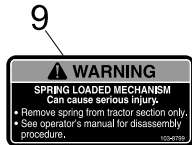
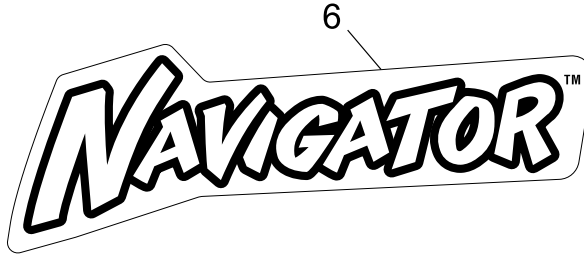
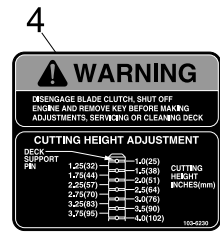
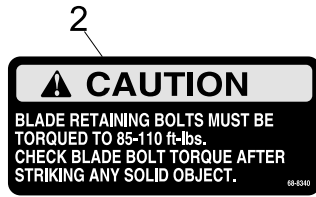
▲ Includes o-rings, item #11

● Includes (1) output seal assembly, item #9

✚ Apply bead of Mobil HTS grease (P/N 103-5217 1.5 oz packet) between seal, item #10 and v-ring, item #13.

□ Does not include screw, item #14.

DECAL GROUP



Item	Part No.	Description	Qty.
1	1-403005	Decal, Danger	2
2	68-8340	Decal, Torque	2
3	98-5954	Decal, Cover Missing	2
4	103-6230	Decal, Cutting Height Adj	2
5	103-8425	Decal, Driveline.....	1
6	103-8504	Decal, Navigator	1

Item	Part No.	Description	Qty.
7	103-8797	Decal, Folding Deck	2
8	103-8798	Decal, Danger	1
9	103-8799	Decal, Spring.....	2
10	103-9024	Decal, Commercial 42	1
11	1-403131	Decal, Commercial 48	1
	103-9467	Decal Kit	

NOTES

SEE EXMARK'S COMPLETE LINE OF ACCESSORIES

MID-MOUNT RIDING ACCESSORIES

CUSTOM RIDE SEAT SUSPENSION SYSTEM	ROLL OVER PROTECTION SYSTEM (ROPS)
DECK LIFT ASSIST KIT	SNOW BLADE
HITCH KIT	SUN SHADE
LAZERLOCKER	TRASH CONTAINER
LIGHT KIT	TURF STRIPER
MICRO-MULCH SYSTEM	ULTRA VAC COLLECTION SYSTEM
OPERATOR CONTROLLED DISCHARGE	ULTRA VAC QUICK DISPOSAL SYSTEM

OUT-FRONT RIDING ACCESSORIES

CUSTOM RIDE SEAT SUSPENSION SYSTEM	SNOW BLADE
DUAL-TAIL WHEEL	SNOWBLOWER
FLOOR PAN EXTENDER	SUN SHADE
HITCH KIT	TRASH CONTAINER
LIGHT KIT	ULTRA VAC COLLECTION SYSTEM
MICRO-MULCH SYSTEM	ULTRA VAC QUICK DISPOSAL SYSTEM
ROLL OVER PROTECTION SYSTEM (ROPS)	WEATHER CAB
ROTARY BROOM	

WALK-BEHIND ACCESSORIES

GRASS CATCHER	TURF STRIPER
LAZERLOCKER	STANDON
MICRO-MULCH SYSTEM	

Place Model No. and Serial No.
Label Here (Included in the Literature
Pack or Fill in Below

Model No. _____

Serial No. _____

Date Purchased _____

© 2009 Exmark Mfg. Co., Inc.
Industrial Park Box 808
Beatrice, NE 68310
All Rights Reserved

Part No. 4500-371 Rev. A
(402) 223-6300
Fax (402) 223-5489
Printed In USA.



www.exmark.com