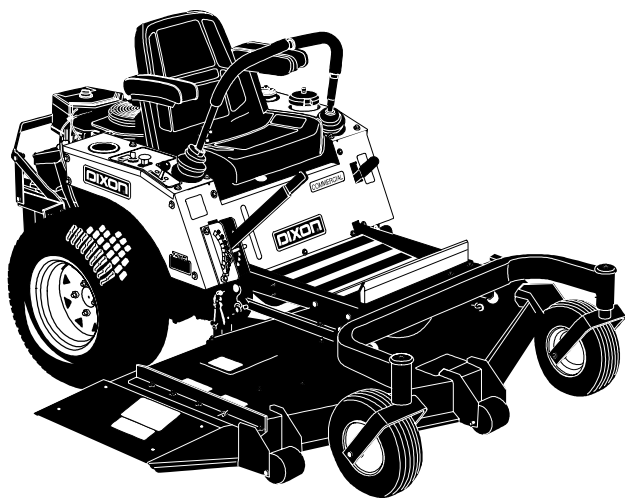


# OPERATOR'S MANUAL



7500 SERIES



ZTR®  
2002

## ***IMPORTANT - READ CAREFULLY***

The Dixon<sup>®</sup> ZTR<sup>®</sup> Mower is both easy and fun to operate. However, any power mower must be operated properly to be safe. It is not a toy or a recreational vehicle. Before you start to use the mower, read the operator's manual carefully and become completely familiar with the controls.

The information contained in this manual applies to all Dixon<sup>®</sup> ZTR<sup>®</sup> 7500 Series Mowers. Your Dixon dealer will gladly answer any questions.

See your dealer for warranty service, parts and repairs.

# INDEX

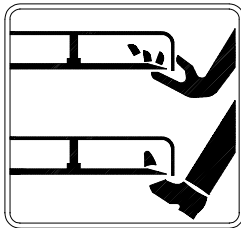
	Page
Safety. . . . .	4-11
Warranty Policy. . . . .	12
Specifications. . . . .	13
Seat Adjustment Instructions. . . . .	14
Controls. . . . .	15-18
Operation Instructions. . . . .	19-26
Care & Maintenance. . . . .	27-35
Troubleshooting. . . . .	36-37
Standard Service Parts List. . . . .	38

7500 Series  
Part No. 61783-0102

# SAFETY

***RIDING LAWN MOWERS,  
IF IMPROPERLY OPERATED,  
CAN CAUSE SERIOUS INJURY OR DEATH.***

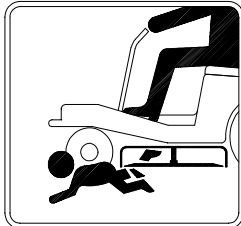
*The most common causes of injury to the operator or bystander...*



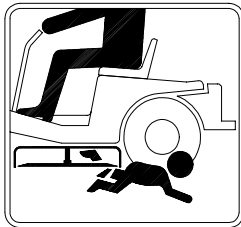
**BLADE CONTACT**



**TIP OVER**



**RUN OVER**



**BACK OVER**

*...read and understand this manual to prevent injuries.*

# SAFETY



## Safety Alert Symbol

When you see this symbol,  
BE ALERT to the potential for injury.

*Follow recommended safety precautions  
and safe operating practices.*



DANGER

(highlighted in red)

indicates an imminently hazardous situation which, if not avoided, will result in death or serious injury.



WARNING

(highlighted in orange)

indicates a potentially hazardous situation which, if not avoided, could result in death or serious injury.



CAUTION

(highlighted in yellow)

indicates a potentially hazardous situation which, if not avoided, may result in minor or moderate injury. It may also be used to alert against unsafe practices.

# SAFETY

*Failure to observe the following safety instructions could result in serious injury or death.*

## **GENERAL OPERATION:**

- Read, understand, and follow all instructions in the manual and on the mower before starting.
- Only allow responsible adults, who are familiar with the instructions, to operate the mower.
- Clear the area of objects such as rocks, toys, wire, etc., which could be picked up and thrown by the blade.
- Be sure the area is clear of other people before mowing. Stop mower if anyone enters the area.
- NEVER carry passengers.
- Do not mow in reverse unless absolutely necessary. Always look down and behind before and while backing.
- Be aware of the mower discharge direction and do not point it at anyone.
- Do not operate the mower without either the entire grass catcher or the deflector in place.
- Slow down before turning.
- Never leave a running mower unattended. Always turn off blades, set parking brake, stop engine and remove key before dismounting.

# SAFETY

## ***GENERAL OPERATION (continued):***

- Turn off blades when not mowing.
- Stop engine before removing grass catcher or unclogging chute.
- Mow only in daylight or good artificial light.
- Do not operate the mower while under the influence of alcohol or drugs.
- Watch for traffic when operating near or crossing roadways.
- Use extra care when loading or unloading the mower into a trailer or truck. Do not ride the mower when loading and unloading.
- Always wear safety goggles or safety glasses with side shields when operating mower.
- Data indicates that operators, age 60 years and above, are involved in a large percentage of riding mower-related injuries. These operators should evaluate their ability to operate the riding mower safely enough to protect themselves and others from serious injury.
- Follow the manufacturer's recommendation for wheel weights and counterweights.
- Maintain or replace safety & instruction labels as needed.

**WARNING:** *The engine exhaust from this product contains chemicals known to the State of California to cause cancer, birth defects or other reproductive harm.*

# SAFETY

## **SLOPE OPERATION:**

Slopes are a major factor related to loss-of-control and tip-over accidents, which can result in severe injury or death.

All slopes require extra caution.

If you cannot back up the slope or if you feel uneasy on it,  
***do not mow it!***

### **DO**

- Mow across the slope with your Dixon ZTR - never up or down.
- Remove obstacles such as rocks, tree limbs, etc.
- Watch for holes, ruts or bumps. Uneven terrain could overturn the mower. Tall grass can hide obstacles.
- Use slow speed. Tires may lose traction on slopes even though the brakes are functioning properly.
- Use extra care with grass catchers or other attachments. These can change the stability of the mower.
- Keep all movement on the slopes slow and gradual. Do not make sudden changes in speed or direction.
- Avoid starting or stopping on a slope. If tires lose traction, disengage the blades and proceed slowly down the slope.
- If front wheels lift off the ground, pull the levers back to stabilize the mower.

### **DO NOT**

- ***Do not*** turn on slopes unless necessary, and then, turn slowly and gradually downhill, if possible.
- ***Do not*** mow near drop-offs, ditches, or embankments. The mower could suddenly turn over if a wheel is over the edge of a cliff or ditch, or if an edge caves in.
- ***Do not*** mow on wet grass. Reduced traction could cause sliding.
- ***Do not*** try to stabilize the mower by putting your foot on the ground.
- ***Do not*** use grass catcher on steep slopes.



# SAFETY

## **CHILDREN:**

*Tragic accidents can occur if the operator is not alert to the presence of children.*

*Children are attracted to lawn mowers and the mowing activity.*

*NEVER assume children will stay where they were last seen.*

*Be alert to avoid accidents.*

- Keep children out of the mowing area and under the watchful care of another responsible adult.
- Be alert and turn mower off if a child enters the area.
- Before and during backing, look BEHIND and DOWN for small children.
- Never carry children. They may fall off and be seriously injured or interfere with safe mower operation.
- Never allow children to operate the mower.
- Use extra care when approaching blind corners, shrubs, trees, or other objects that may obscure vision.

 **SAFETY*****SERVICE:***

- Use extra care in handling gasoline and other fuels. They are flammable and vapors are explosive.

Use only an approved container.

Never remove fuel cap or add fuel with engine running. Allow engine to cool before refueling.

Do not smoke while refueling.

Never refuel the mower indoors.

Never store the mower or fuel container inside a building where there is an open flame.

If fuel is spilled on clothing, change clothing immediately.

To prevent fire and explosion caused by static electricity:

Never fill containers inside a vehicle or on a truck or trailer bed with a plastic liner. Always place containers on the ground away from your vehicle before filling.

When practical, remove fuel-powered equipment from the truck or trailer and refuel it on the ground. If this is not possible, then refuel such equipment on a trailer with a portable container, rather than from a fuel dispenser nozzle.

If a fuel dispenser nozzle must be used, keep the nozzle in contact with the rim of the fuel tank or container opening at all times until fueling is complete. Do not use a nozzle lock-open device.

# SAFETY

## ***SERVICE (continued):***

- Never run a mower inside a closed area. The exhaust fumes are toxic.
- Keep nuts and bolts tight, especially blade attachment bolts, and keep equipment in good condition.
- Never tamper with safety devices. Check their proper operation regularly.
- Keep mower free of grass, leaves, or other debris build-up. Clean up oil or fuel spillage. Allow mower to cool before storing.
- Stop and inspect the equipment if you strike an object. Repair, if necessary, before restarting.
- Never make adjustments or repairs with the engine running unless otherwise specified.
- Grass catcher components are subject to wear, damage and deterioration, which could expose moving parts or allow objects to be thrown. Frequently check components and replace with original equipment parts, as necessary.
- Mower blades are sharp and can cut. Wrap the blade(s) or wear gloves, and use extra caution when servicing them.
- Batteries contain sulfuric acid. To prevent burns avoid contact with skin, eyes and clothing. To prevent a fire or explosion keep sparks and open flames away from battery.
- Before disconnecting the negative (-) ground cable, make sure all switches are OFF.

DIXON INDUSTRIES, INC.  
a BLOUNT company  
Airport Industrial Park  
P.O. Box 1569  
Coffeyville, Ks 67337-0945  
620-251-2000  
Fax 620-251-4117

## DIXON LIMITED WARRANTY POLICY - COMMERCIAL MODELS 6000, 7000 & 7500 Series

WARRANTY: Home Owner Application: This Dixon Warranty term is for a period of two (2) years from date of purchase. Commercial Application: Dixon mowers used for commercial application are warranted for one (1) year from the date of purchase or 400 hours whichever comes first. Commercial use is specified as use other than, or in addition to, mowing at owner's primary place of residence.

**DIXON ZTR MOWERS ARE WARRANTED AGAINST DEFECTS IN MATERIALS AND WORKMANSHIP AND PROVIDES FOR REPLACEMENT OR REPAIR OF PARTS INCLUDING LABOR COSTS. THIS WARRANTY IS SUBJECT TO THE FOLLOWING CONDITIONS AND LIMITATIONS:**

1. Warranty applies only to original retail purchaser of new and unused mowers and accessories.
2. All Dixon warranty must be accomplished by authorized Dixon dealers & in accordance with Dixon warranty policy & allowances. All warranty claims must be approved by Dixon Industries, Inc.
3. Battery warranty: Limited to 90 days from date of purchase.
4. Accessories Warranty (Grass Catchers, Snow Blades, Covers, etc.): Limited to 90 days from date of purchase.
5. Warranty does not apply to damage in transit or incidents of misuse, negligence, accidents, or alteration. The use of parts or components other than those supplied by Dixon Industries, Inc. **VOIDS ALL WARRANTY.**
6. The following items are not covered by this warranty policy:
  - Pick up and delivery charges for transportation of mower to and from an authorized Dixon dealer's place of business.
  - Routine maintenance or adjustments.
  - Belts/cutting blades/hydrostatic filters.
  - Engines - All engines used on Dixon ZTR mowers are warranted by the individual engine manufacturer.
  - Any costs or expense of providing substitute equipment while repair work is being performed on a warranted mower.
7. There is no other express warranty. Implied warranties, including those of merchant ability and fitness for a particular purpose, are limited to the same duration of the express warranty, and to the extent permitted by law any and all implied warranties are excluded. Liabilities for consequential damages under any and all warranties are excluded.

*Blue/Customer      Yellow/Dealer      White/Dixon Ind.*

WARRANTY VALIDATION: At the time of sale, selling dealer must review each portion of this warranty document, complete the information section below, secure customer's signature & send copy to Dixon Industries, Inc.

DATE OF PURCHASE \_\_\_\_\_ MODEL \_\_\_\_\_ S/N \_\_\_\_\_

Owner's Name \_\_\_\_\_

Dealership \_\_\_\_\_

Address \_\_\_\_\_  
\_\_\_\_\_  
\_\_\_\_\_

Address \_\_\_\_\_  
\_\_\_\_\_  
\_\_\_\_\_

# SPECIFICATIONS

## 7500 Series

- CHASSIS:** *Folded sheet metal and rectangular tube*
- BODY:** *Folded sheet metal*
- SEAT:** *Designed for operator comfort with padded back and arm rests. Seat is adjustable fore and aft.*
- MOWER DECK:** *Two decks are available. Both decks are made of 10 GA fabricated welded construction with 7 GA reinforcement plate. Three blades combine for either a 52" or 60" cut width. Cut height approximately 1.5" to 5" via 7 position lift handle.*
- BLADE DRIVE:** *Electric clutch*
- DRIVE SYSTEM:** *Each rear wheel is independently driven by a HydroGear BDP 10A pump and a HydroGear HGM-15E hydraulic motor.*
- ENGINE:** *23HP Kohler Command, 4-Cycle, V-Configuration, Overhead Valve, Air-Cooled, Gasoline, Vertical Shaft, Aluminum Head, and Crankcase with Cast Iron Liners, Full Pressure Lubrication/Full Flow Filter, Pulse-type Fuel Pump, Fixed Jet Carburetor w/ Smart-Choke, Electronic Ignition, In-Line Fuel Filter, Dual Element Air Cleaner.*
- STARTING SYSTEM:** *Electric by key switch operation with safety interlocks on parking brake and blade drive clutch.*
- TIRES:** *Front 13-5.00x6  
Rear 23-9.50x12*
- RECOMMENDED FRONT TIRE PRESSURE:** *12 lbs.*
- TIRE PRESSURE:** *Rear 12 lbs.*
- CAPACITIES:** *Fuel - 11 gallons (approx)  
Hydrostat oil system - 4 qt with in-line 40 micron filter  
Hydrostat oil recommendation, refer to page 31  
Engine - 2 qts. SAE 10W30 (with filter)*
- DIMENSIONS:** *Width 61"(52" Deck), 69-1/2"(60" Deck)  
Height 43"  
Length 81" (52" Deck), 81" (60" Deck)  
Weight 915 lbs.(48" Deck), 916 lbs.(60" Deck)*

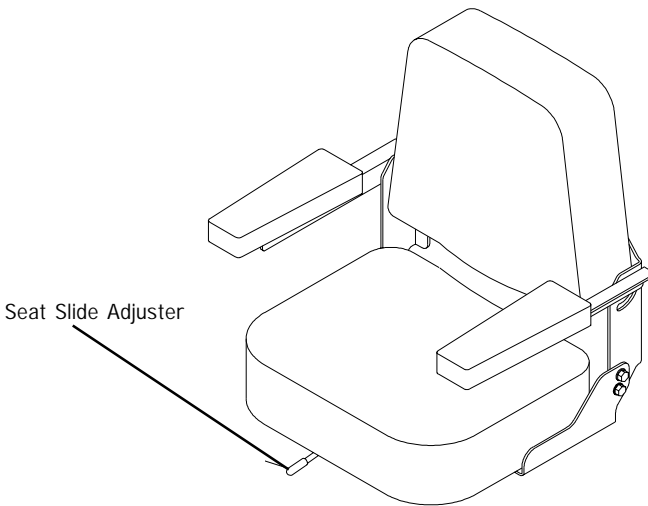
*Additional information provided in service instructions under the individual component.*

**SPECIFICATIONS SUBJECT TO CHANGE WITHOUT NOTICE**

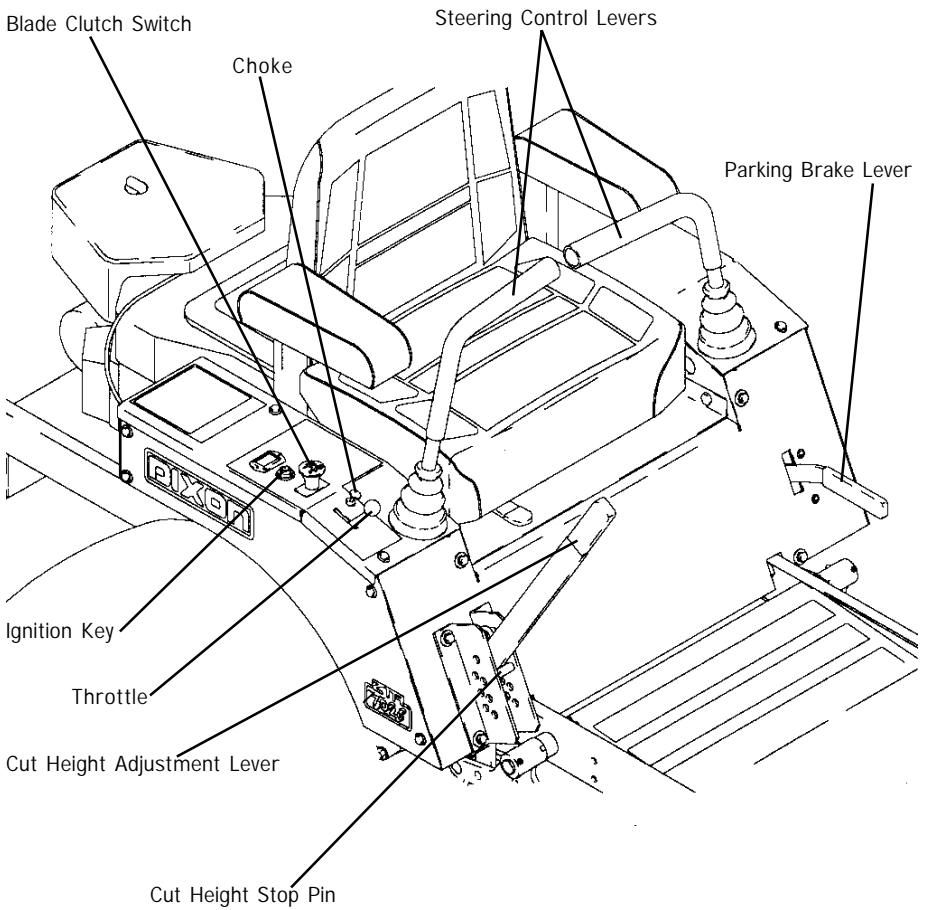
# SEAT ADJUSTMENT INSTRUCTIONS

## *Model 7523*

1. Grasp seat slide adjuster and move it into adjustment position.
2. Slide seat forward or backward.
3. Release seat slide adjuster.



# CONTROLS



# CONTROLS

## CONTROL LEVERS

*Note:* For access to the seat, move control levers to neutral position and swing them outward.

### TO GO FORWARD:

- From neutral position, gently push both control levers forward.
- To increase speed, move levers further forward.

### TO GO BACKWARD:

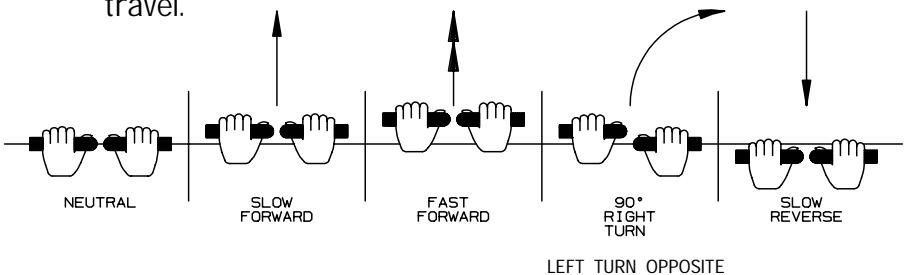
- From neutral position, gently pull both control levers toward you.

### TURNING:

- Turning is controlled by moving one control lever slightly forward or rearward of the other.
- To turn left, move left lever rearward of the right lever.
- To turn right, move right lever rearward of the left lever.
- To turn on mower's own axis (zero turning radius), stop and move one lever to reverse position and the other to forward position.

### BRAKING:

- To brake mower, move both levers in direction opposite of travel.



*Note:* The pressure required to operate the mower is very light.



# CONTROLS

## ***CHOKE CONTROL LEVER:***

- Located on control panel to operator's right.
- Used to start a cold engine.

## ***THROTTLE CONTROL LEVER:***

- Located on control panel to operator's right.
- Controls engine speed, slow to maximum.
- While moving, throttle control should be set to MAXIMUM or wide open setting to insure adequate cooling of the engine & to maintain mower deck blade speed.

## ***PARKING BRAKE:***

The hand operated parking brake is located on the left of the mower. It is designed to hold the mower from moving and is not intended for use in stopping the mower while it is in motion.

To engage brake: pull lever upward.

To disengage brake: push lever downward.

Note: Always set parking brake before dismounting. Release the parking brake before moving mower.

Note: Engage parking brake before starting engine.

## ***HYDRO-GEAR DRIVE SYSTEM:***

Allows the mower to turn on its own axis (zero turning radius).

Each lever controls one side of the mower.

NOTE: The pressure required to operate the mower is very light.

# CONTROLS

## ***BLADE DRIVE:***

Located on control panel, on operator's right.

To engage blades: Pull up on the switch.

To disengage blades: Push down.

## ***MOWER DECK CUT HEIGHT LIFT LEVER:***

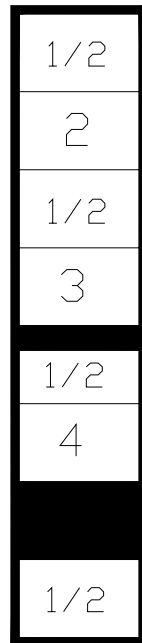
Located to the right and front of the operator.

Controls the cutting height.

Seven positions of adjustment.

Lift lever and place stop in hole corresponding to the desired height. Let lever rest on the pin stop.

Note: Always use high position for transport.



# OPERATION INSTRUCTIONS

The safe and successful operation of the ZTR 7500 Series will depend upon the operator having the correct knowledge of all controls used on the mower and making good judgements about the terrain to be mowed.

*NEVER* allow anyone to operate the mower without complete knowledge of all controls and their functions.

During initial operation, "learning to drive", set throttle at slow speed.

Sound judgement by the owner will prevent accidents.

## ***BEFORE OPERATING MOWER:***

1. Read and observe all safety instructions on your mower and in the manual.
2. Read engine manufacturer's operating and maintenance instructions.
3. Discuss proper maintenance with your dealer.
4. Check engine oil.
5. Check fuel cap to be sure it is in place.
6. Be sure parking brake is on.
7. Mower blade drive is off.
8. Know how to stop engine (turn key to off position).

# OPERATION INSTRUCTIONS



## ***TESTING OF SAFETY INTERLOCK SYSTEMS:***

Do not operate mower if safety switches are not operating properly.

Your Zero Turning Radius Mower is equipped with control interlocks for your safety.

1. The mower blades must be disengaged before the engine will start.
2. The brake lever must be engaged (upward position) before engine will start.
3. The engine will stop if the mower blade clutch is engaged when the operator leaves the driver's seat.
4. This unit is equipped with a mechanical control lever lockout. The brake lever must be disengaged before control levers will move forward.

# OPERATION INSTRUCTIONS

## ***BLADE DRIVE SWITCH TEST (ELECTRIC CLUTCH):***

1. With the electric blade drive switch turned on and the parking brake in "ON" position, engine should not turn over or attempt to start when key switch is moved to the start position.
2. In a **safe area**, away from bystanders, start the engine, place throttle setting at maximum or full. Engage the blade drive through the electric clutch switch. Raise weight slightly off of seat. ***ENGINE SHOULD STOP.***
3. If any Safety Check fails, do not operate the mower until the system has been checked and repaired by an authorized Dixon ZTR dealer.

# OPERATION INSTRUCTIONS

## ***STARTING INSTRUCTIONS (cold engine):***

1. Pull choke control lever up.
2. Push throttle control lever to 1/2 setting.
3. Insert ignition key and turn to "START" position. When engine starts, release ignition key. Key will return to "RUN" position.
4. Once engine starts to warm up, slowly push choke control lever down to fully closed position.
5. Move throttle control lever to the wide open or maximum setting for actual operation of the mower deck.
6. Engine must be operated at wide open or maximum setting to ensure adequate lubrication, cooling and cut quality of the mower deck.

Note: Model ZTR 7523 will require a slightly longer warm up period using partial choke settings.

# OPERATION INSTRUCTIONS

## ***STARTING INSTRUCTIONS(engine has been operated):***

1. Move throttle control lever to 1/4 to 1/2 setting.
2. Insert ignition key and turn to "START" position. When engine starts, release ignition key. Key will return to "RUN" position.
3. Move throttle control lever to the wide open or maximum setting for actual operation of the mower deck.

Note: Model ZTR 7523 may require a partial choke setting to start even if the engine has been operated for a period of time.

4. Engine must be operated at wide open or maximum setting to ensure adequate lubrication, cooling and cut quality of the mower deck.



### **CAUTION**

**DO NOT operate the engine in an enclosed area due to the harmful exhaust gas produced.**

**Notes:** On initial operation, set throttle at slow speed.

Engine cannot be restarted when blades are engaged.

Safety switches stop engine when operator leaves seat while mower blade is engaged.

Always turn engine off when leaving mower.

# OPERATION INSTRUCTIONS

In order to achieve optimum cutting performance, please read and follow the tips listed below. Additional information can be found in the Troubleshooting Guide on Page 36-37.



**CAUTION** Be sure that deflector is properly installed on the discharge chute.

1. Set engine speed control to the wide open or full setting.
2. *Do Not Attempt To Cut Grass When It Is Wet.* Wet grass will clog the underside of the deck and discharge area.
3. If the grass is tall, place the mower deck cut height lever in the top or second notch. "Initially" overlap cutting swaths instead of taking a full swath with each pass. Some applications may require a second cutting.
4. *Keep The Underside Of The Mower Deck Clean.* Frequent removal of dried grass and dirt will allow the clippings to discharge correctly.
5. *Maintain Sharp Blade(s) Throughout The Cutting Season.*



# OPERATION INSTRUCTIONS

## ***GRASS HEIGHT AND CUTTING SUGGESTIONS:***

Do not attempt to cut grass when it is wet.

If the grass is tall, place the mower deck cut height lever in the top or second notch. "Initially" overlap cutting swaths instead of a full swath with each pass. Some applications may require a second cutting.

Keep the underside of the mower deck clean.

Maintain sharp blades throughout the cutting season.

As a rule of thumb, never cut off more than 1/3 of the total grass blade length. Correct mowing height can reduce weeds and disease by 50% to 80%.

The following grass cut heights are based on adequate moisture conditions and normal thatch build-up in a healthy lawn. Some locations and applications may require slightly different cut heights. If in doubt, consult your local lawn professional for assistance.

Grass Types	Best Cut Heights
Bermudagrass	1 - 2"
Bluegrass	2 - 3"
Buffalograss	1 <sup>1/2</sup> - 3"
Ryegrass	2 - 3"
Tall Fescue	3 - 3 <sup>1/2</sup> "
Zoysiagrass	1 - 3"

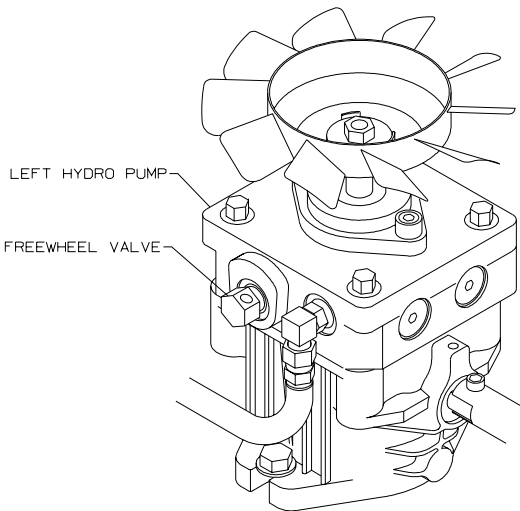
# OPERATION INSTRUCTIONS

## ***TO FREE WHEEL MACHINE***

### ***(UNLOCK TRANSMISSION FOR TOWING):***

The transmission release valve is located behind the seat, between the fuel tank and hydro pumps. Use a 5/8" wrench and insert through the slots on the top side of the seat plate and rotate bolt counter-clockwise two full turns to disengage pump. Repeat procedure for opposite pump. To engage, rotate each pump bolt clockwise until bolt is snug.

Note: Before pushing or towing tractor, transmission must be unlocked, and parking brake released. The tractor should never be pulled at more than 2 miles per hour or for any appreciable distance.



# CARE AND MAINTENANCE



## CAUTION

*Before performing any maintenance, turn off engine, allow to cool, remove key & disconnect spark plugs.*

*Use extreme care when working on machinery.*

*Do not wear watch or jewelry. Do not wear loose fitting clothes, and observe all common safety practices with tools.*

## MAINTENANCE SCHEDULE

- Check crankcase oil level.....before each use
- Clean grass from hydrostat fans & cooling fans.....before each use
- Clean grass & debris from muffler & manifold area.....before each use
- Check air intake screen.....after each use
- Clean grass under deck.....after each use
- Check tire pressure.....every 10 hours
- Check mower blades for sharpness.....every 10 hours
- Clean air filter element.....every 25 hours
- Check hydrostatic transmission fluid.....every 25 hours
- Check all belts(20 hours break-in).....every 50 hours
- Grease all zerks.....every 50 hours
- Service air filter element.....every 100 hours
- Change engine crankcase oil.....(5 hours break-in)every 100 hours
- Change engine oil filter.....every 200 hours
- Change hydrostat oil & oil filter.....(100 hours break-in)every 500 hours
- Replace air filter element.....annually or every 500 hours
- Check spark plugs.....annually or every 500 hours

# CARE AND MAINTENANCE

## **ENGINE:**

For complete maintenance and operating information of the engine, please refer to the maintenance instructions furnished by the engine manufacturer and included in your Zero Turn Radius mower information packet.

*Note: Air intake screen must be kept clean. If plugged, engine may be seriously damaged by overheating.*

## **BATTERY:**



### **CAUTION**

*Battery contains sulfuric acid electrolyte which is poisonous and corrosive.*

This is a maintenance-free battery and the fluid level cannot be checked.

### **OFF SEASON BATTERY STORAGE:**

DO NOT remove battery from mower.

Clean top of battery and terminals with baking soda and water.

Identify each cable so they can be reconnected to the correct terminal.

Disconnect cables from terminals. ALWAYS disconnect ground cable first and reconnect last.

Charge battery.

## **TIRES:**

Correct tire pressure is essential for efficient operation of the mower. Check tire pressure periodically. Inflate tires to the pressure listed below.

Front tires	-	12 lbs.
Rear tires	-	12 lbs.

Lug nuts or lug bolts should be checked regularly for tightness.

# CARE AND MAINTENANCE



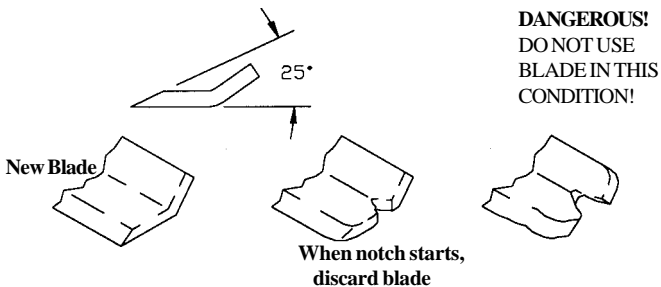
## CAUTION

Stop engine and remove ignition key for safety. Wear heavy, thick gloves when holding onto cutter blade, avoid the sharp edge of the blade.

## MOWER BLADES:

Check sharpness of mower blades after every 10 hours of operation. To sharpen blades, proceed as follows.

1. Remove bolt and flat washer mounting blade on shaft. Remove blade.
2. Blades should be discarded when worn excessively.
3. Sharpen blade with a hand file, electric grinder or blade sharpener. Wear gloves and eye protection when sharpening. Grind blade at original 25 degree bevel.
4. Check balance of blade by positioning the blade on a nail or blade balance pedestal. Grind the blade on the end that is heavier until both sides balance.
5. Install blade, flat washer & bolt. Make sure to tighten bolt to 60 ft. lbs.



## V-BELTS:

There are 3 v-belts on your Dixon Zero Turning Radius Mower. They should be checked every 50 hours. Replace any belts found to be in poor condition. All belts are equipped with spring loaded belt tighteners and do not require tightening adjustments.

# CARE AND MAINTENANCE

## ***LUBRICATION:***

1. Engine: Follow engine manufacturer's recommendation.
2. Deck spindles: Lubricate with 3 "shots" only, every 100 hours.

## ***HYDROSTATIC TRANSMISSIONS:***

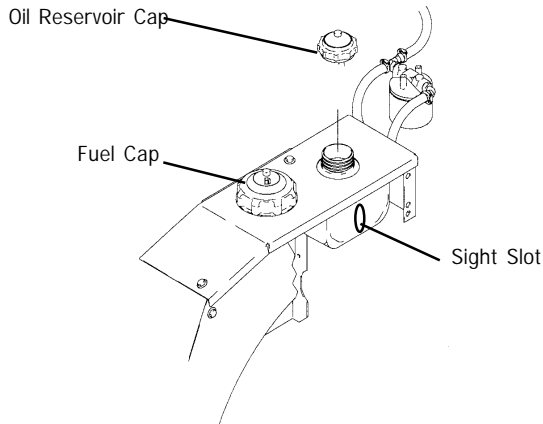
Before each use, check to be sure that the cooling fins and fans of the pumps and wheelmotors are clean. Excessive accumulation of oil, dirt, or trash may cause the transmissions to overheat. NEVER WASH ACROSS TOP OF RESERVOIR WITH WATER OR STEAM. Fill reservoir as required per the maintenance schedule listed in this book.

# CARE AND MAINTENANCE

## ***HYDROSTAT OIL MAINTENANCE PROCEDURE:***

Check the oil level in hydrostatic transmission oil reservoir after every 25 hours of usage. Clean the oil reservoir cap and the area around it prior to removal. Check the oil level. Oil should be approximately 1-3/8" below top of oil tank. Replenish as needed with SAE 20W-50 motor oil. DO NOT OVERFILL. When checking the oil level, be very careful to keep the reservoir clean.

Change the oil in the reservoir and hydrostat transmission oil filter after the first 100 hours of use. Then every 500 hours after that. Remove the filter and be sure all oil has drained from the reservoir. Replace with a new filter and SAE 20W-50 motor oil.



*Please dispose of used oil at proper collection centers -  
protect your environment*

# CARE AND MAINTENANCE

## ***PROCEDURE FOR RAISING AND LOWERING THE DECK FOR SERVICING:***

- A. Remove cut height adjustment pin and completely lower the cut height adjustment lever. Re-insert the cut height adjustment pin into the 3-<sup>1</sup>/<sub>2</sub>" cut height position (this will lock the cut height adjustment lever into the lowest position).
- B. Flip up the foot deck to allow access to the engine to deck drive belt. Roll the engine to deck drive belt off the center spindle. Hook the engine to deck drive belt onto the bolt protruding out of the top of the foot deck support angle.
- C. Lift the rear corner of the deck and disconnect the rear deck mounting latch. Repeat for the other side.
- D. Position the front caster wheels so they are away from the deck (such as the tractor would be traveling in reverse).
- E. Attach a hoist to the deck lift bolt. Lift the nose of the deck until the deck is standing vertical and the deck latch engages.
- F. Reverse procedure for lowering deck.

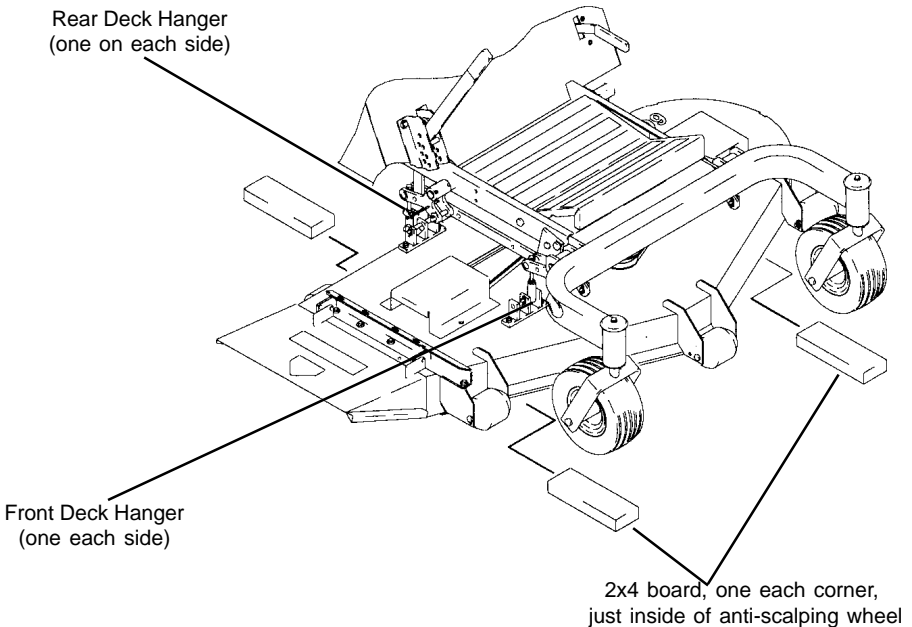
***IMPORTANT NOTE: Make sure that the deck is lifted far enough for the deck latch to fully engage the locking pin (located on the left side of the deck mounting suspension). This will prevent the deck from falling down when servicing the underside of the mower deck.***



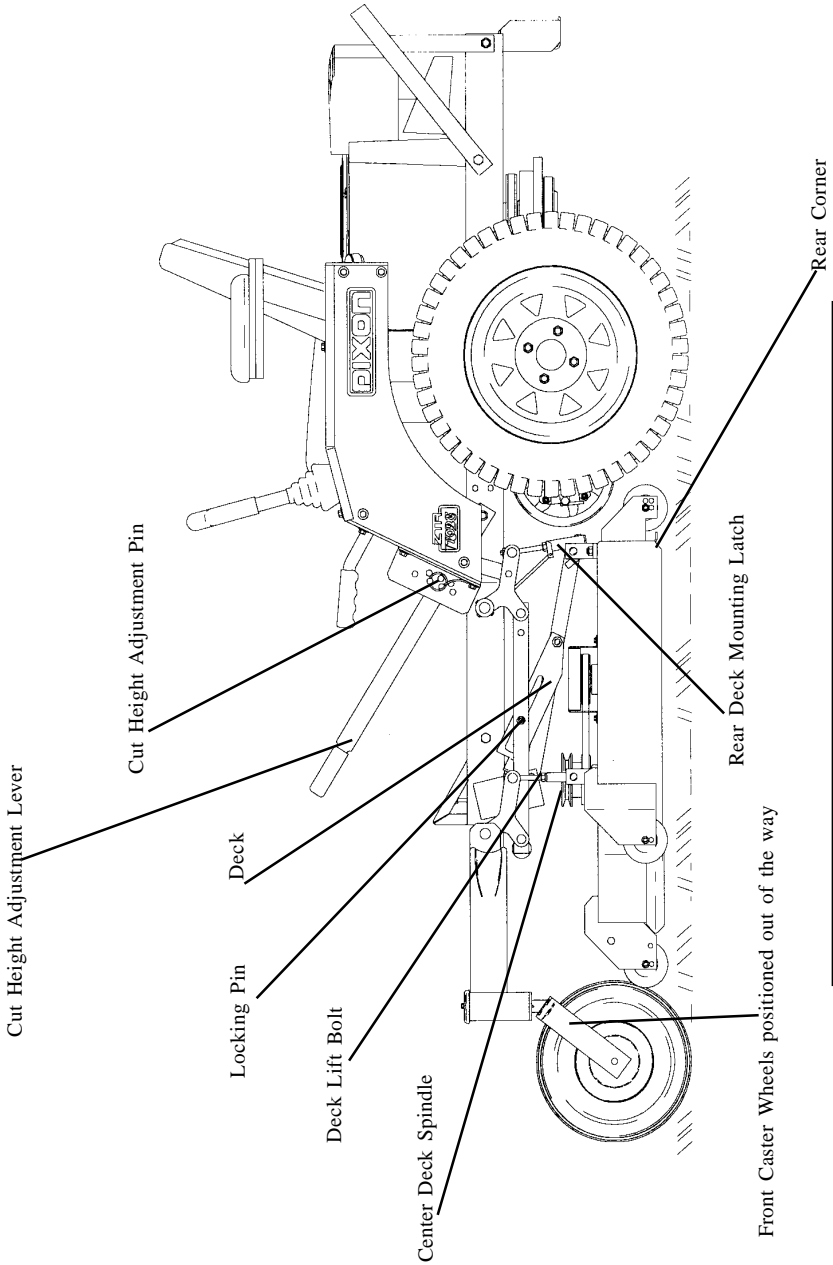
# CARE AND MAINTENANCE

## **LEVELING THE DECK:**

- A. Set the tire pressure on all four tires.
- B. Move the tractor to a hard, level surface (i.e. concrete or blacktop). Place a 2x4 board under all four corners of the deck shell, just inside the anti-scalping wheels. Lower the deck down onto the boards. The deck must rest on the boards, not on the anti-scalping wheels. Adjust the deck hangers longer or shorter until the deck "just" comes off of the boards. Remove the boards and verify that the deck is hanging on all four deck hangers, re-adjust if necessary. Lock the jam nuts on the deck hangers. (Note: the two rear deck hangers will be easier to adjust if the fender skirts are removed.)

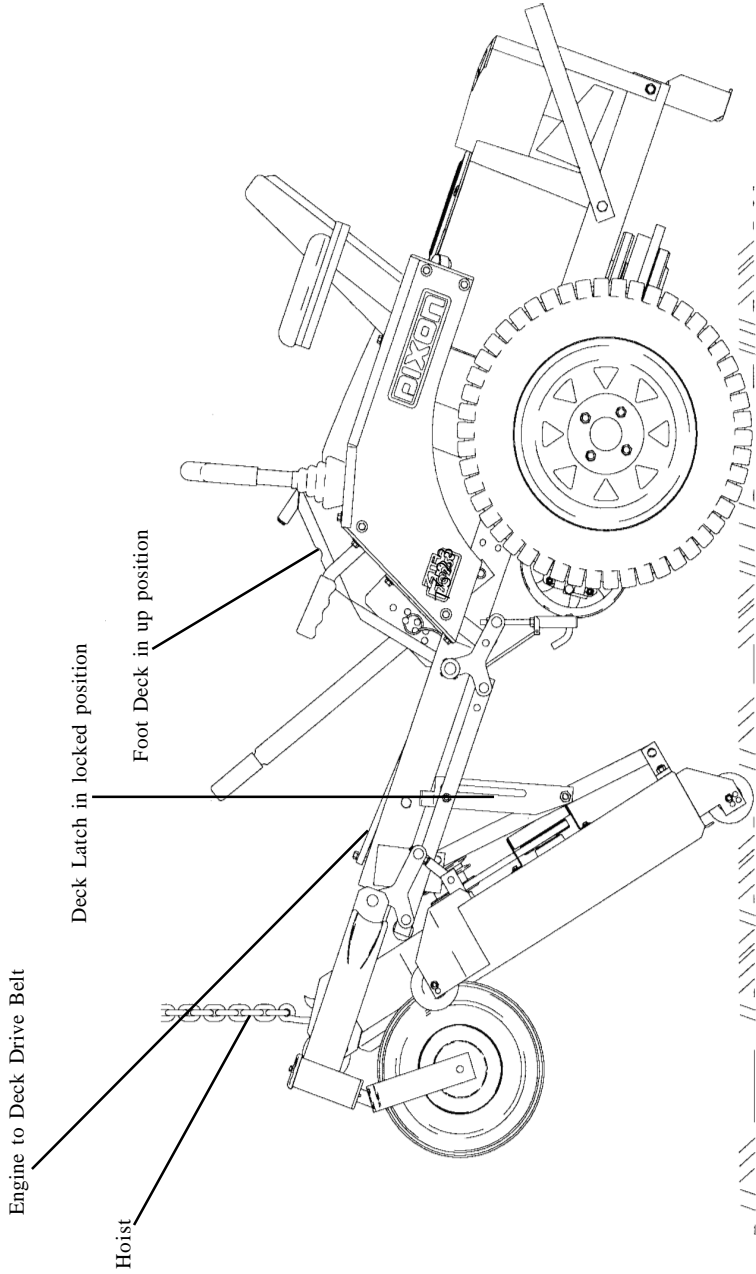


# CARE AND MAINTENANCE



**MOWER SHOWN IN OPERATION POSITION**

# CARE AND MAINTENANCE



MOWER SHOWN IN SERVICING POSITION

# TROUBLESHOOTING

1. **ENGINE WON'T TURN OVER**
  - Mower blades engaged-----disengage blades
  - Blown fuse-----replace fuse
  - Dead battery-----charge or replace
  - Solenoid-----consult dealer
  - Ignition switch-----consult dealer
  - Starter-----consult dealer
  - Parking brake not set-----engage parking brake
  
2. **ENGINE WILL TURN OVER BUT WON'T START**
  - No fuel-----refuel and/or clean or replace fuel filters
  - Over or under choked-----adjust choke
  - Spark plug not firing-----check spark plug wires
  - Carburetor maladjustment-----readjust carburetor/consult dealer
  - Ignition switch-----readjust carburetor/consult dealer
  
3. **HARD TO START ENGINE**
  - No fuel-----refuel and/or clean or replace fuel filters
  - Fuel line clogged-----clean fuel line and check fuel filter
  - Faulty fuel pump-----consult dealer
  - Spark plug wire loose or grounded-----check spark plug wires
  - Spark plug(s) faulty or improperly gapped-----check spark plug
  - Electronic ignition defective-----consult dealer
  - Dirty or maladjusted carburetor-----consult dealer
  
4. **ENGINE STARTS BUT CUTS OUT**
  - Water in fuel-----drain old fuel-replace with new fuel
  - Clogged fuel line-----clean or replace fuel line
  - Fuel tank vent plugged-----check vent and clean
  - Faulty fuel pump-----replace/consult dealer
  - Maladjusted carburetor-----consult dealer
  
5. **ENGINE KNOCKS**
  - Low oil level-----check and add oil
  - Fuel octane too low-----replace with higher octane gasoline
  - Over heated engine-----shut off engine and allow to cool/consult dealer

*\* see engine manual for engine adjustments*

# TROUBLESHOOTING

6. **ENGINE OVERHEATED**  
*Air intake screen or fins clogged*----- *clean intake screen and fins*  
*Oil level too low or too high*----- *adjust oil level*  
*Running engine too slow*----- *run engine faster*  
*Fuel mixture too lean*-----*consult dealer*  
*Improper ignition timing*-----*consult dealer*
  
7. **ENGINE RUNS BUT MOWER WON'T MOVE FORWARD**  
*Drive belt broken or slipping*----- *replace drive belt*  
*Shift linkage cable disconnected*----- *reconnect*  
*Transmission shift arm disconnected*----- *reconnect*  
*Transmission oil low*----- *add oil*  
*Hydrostat oil filter plugged*----- *replace filter*  
*Damaged transmission*-----*consult dealer*  
*Gear mating transmission/gearbox disconnected*----- *consult dealer*  
*Free wheel feature activated*----- *put in unlock position (see Pg. 26)*
  
8. **MOWER LOSES POWER OR TRANSMISSION OVERHEATS**  
*Hydrostat transmission oil too low or high*----- *add oil or drain as needed*  
*Transmission damage*----- *consult dealer*  
*Transmission blowing oil out cap*----- *overfilled or water contaminated*
  
9. **ENGINE STALLS WHEN BLADES ARE ENGAGED**  
*Operator not on seat*----- *sit on seat*  
*Faulty interlock system*----- *consult dealer*  
*Damaged blade spindle bearing*----- *consult dealer*  
*Deck drive belt not properly routed*----- *reroute*  
*Blades blocked by foreign material*----- *clean under deck*
  
10. **ENGINE SOMETIMES SKIPS AT HIGHER SPEEDS**  
*Incorrect ignition timing*----- *consult dealer*  
*Carburetor maladjusted*----- *consult dealer*  
*Faulty spark plugs*----- *check spark plug or condition and reset gap\**
  
11. **ENGINE IDLES POORLY**  
*Carburetor maladjustment*----- *consult dealer*  
*Improper spark plug gap*----- *check and reset gap\**
  
12. **ENGINE BACKFIRES**  
*Carburetor maladjustment*----- *consult dealer*

\*see engine manual for engine adjustments

# STANDARD SERVICE PARTS LIST

## MODEL ZTR 7523:

Blades 52" Hi-Lift:	P/N 60532
Blades 60" Hi-Lift:	P/N 60295
Blades 60" Lo-Lift:	P/N 60293
Engine to Mower Deck Belt:	P/N 61515
Serpentine Belt 52":	P/N 61511
Serpentine Belt 60":	P/N 61512
Engine to Hydro Belt:	P/N 61778
Hydrostatic Transmission Filter:	P/N 7252

## KOHLER AIR AND OIL FILTER PART NUMBERS:

Refer to engine manufacturer's manual for recommendations regarding frequency of service required for engine oil changes and air filter maintenance.

Protect your engine investment, use only original equipment filters.

## MODEL ZTR 7523 (23HP):

Air Filter & Pre-Cleaner Kit	78002
Engine Oil Filter	78006

## IMPORTANT:

*Some applications, extreme dirt conditions, or the use of a grass catcher may require that the engine used on the Model ZTR 7523 be fitted with an optional Kohler fresh air filter system. Check with your engine service center for availability.*

# OWNER INFORMATION

DIXON INDUSTRIES, INC.  
a BLOUNT International Inc. Co.  
P.O. Box 1569  
Coffeyville, Ks 67337-0945  
620-251-2000  
FAX 620-251-4117



*Date Purchased* \_\_\_\_\_

*Mower Model Number* \_\_\_\_\_

*Mower Serial Number* \_\_\_\_\_

*Purchased From* \_\_\_\_\_

*Name*

*Address*



*DATE OIL CHANGED:*

\_\_\_\_\_  
\_\_\_\_\_  
\_\_\_\_\_  
\_\_\_\_\_  
\_\_\_\_\_  
\_\_\_\_\_  
\_\_\_\_\_  
\_\_\_\_\_  
\_\_\_\_\_  
\_\_\_\_\_

*DATE ENGINE TUNED:*

\_\_\_\_\_  
\_\_\_\_\_  
\_\_\_\_\_  
\_\_\_\_\_  
\_\_\_\_\_  
\_\_\_\_\_  
\_\_\_\_\_  
\_\_\_\_\_  
\_\_\_\_\_  
\_\_\_\_\_



ZTR®Mowers



**WARNING:**

*The engine exhaust from this product contains chemicals known to the State of California to cause cancer, birth defects or other reproductive harm.*

Dixon® and ZTR® are registered trademarks of Dixon Industries, Inc.

DIXON INDUSTRIES, INC.  
a BLOUNT International Inc. Co.  
P.O. Box 1569  
Coffeyville, Ks 67337-0945  
620-251-2000

7500 Series  
Model 7523  
Part No. 61783-0102