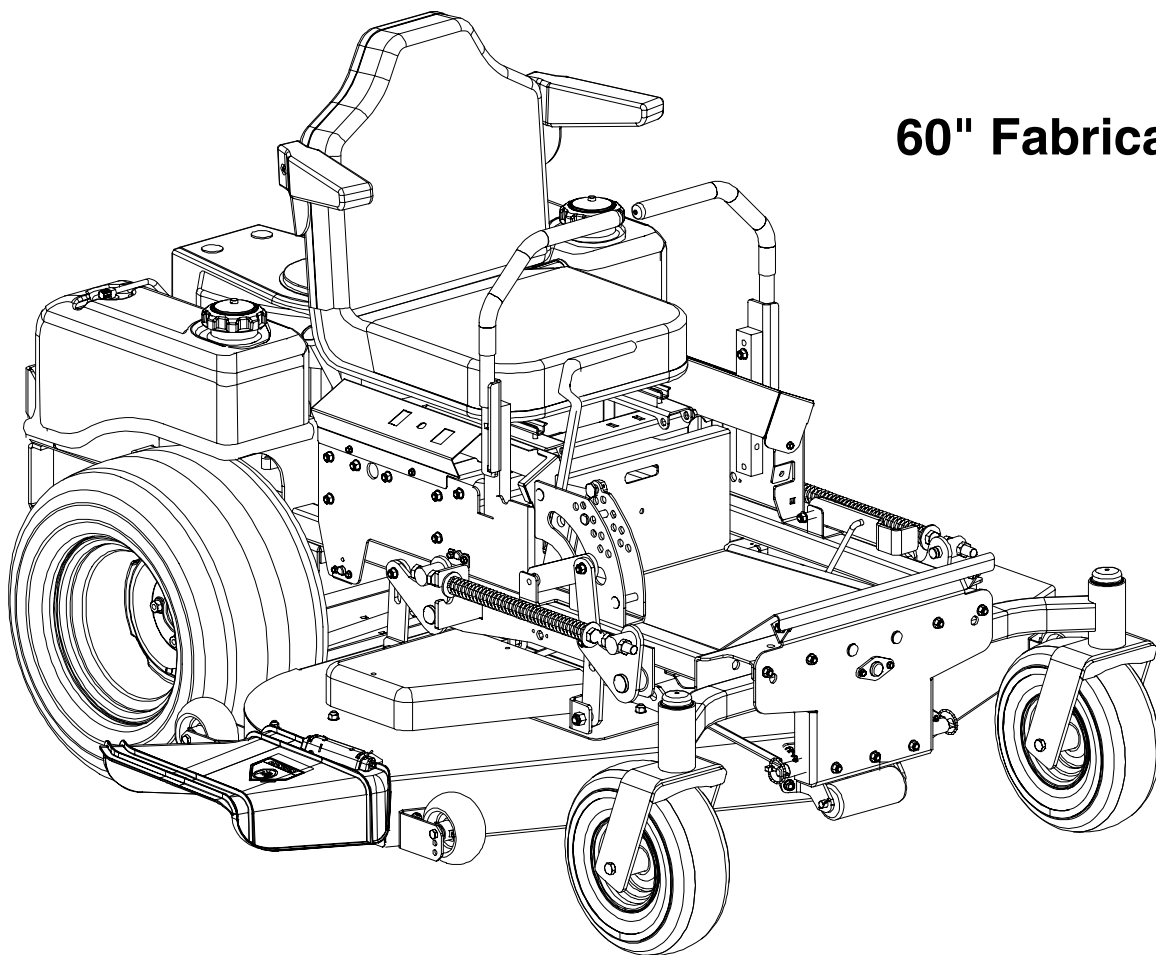




Hydrostatic Zero-Turn Commercial Riding Mower

Professional Turf Equipment

60" Fabricated Deck



ILLUSTRATED PARTS LIST

TABLE OF CONTENTS

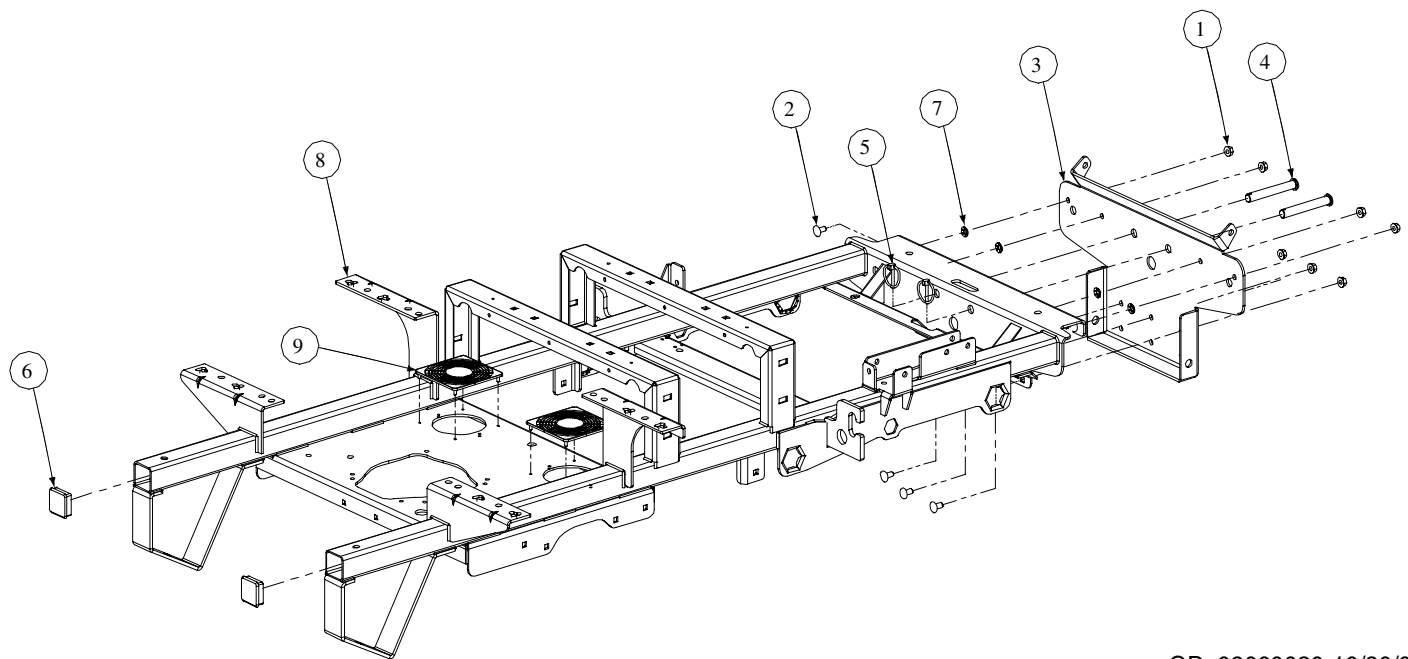
Frame Assembly	3
60" Fabricated Cutter Deck.	4 and 5
60" Spindle Assembly.	6 and 7
Hydro Tank and Hose Assembly.	8
Brake Motor Mount and Hub.	9
Brake Assembly	10 and 11
Fuel Tank Assembly	12
Rear Bumper	13
Front Caster Assembly	14
60" Wheel Assembly.	15
Control Assembly	16 and 17
Hydro Pump Assembly	18
Seat Assembly	19
27 HP Kohler Engine Assembly	20 and 21
25 HP Kawasaki Engine Assembly.	22 and 23
Electrical Assembly Kohler	24 and 25
25 HP Electrical Assembly Kawasaki	26 and 27
Lift Assembly	28 and 29
Foot Pedal Assembly	30
Floor Panel Assembly.	31

MODELS LISTED IN THIS MANUAL

**25HP Tank,
53BB5D8X750**

**27HP Tank,
53BB5BDX750**

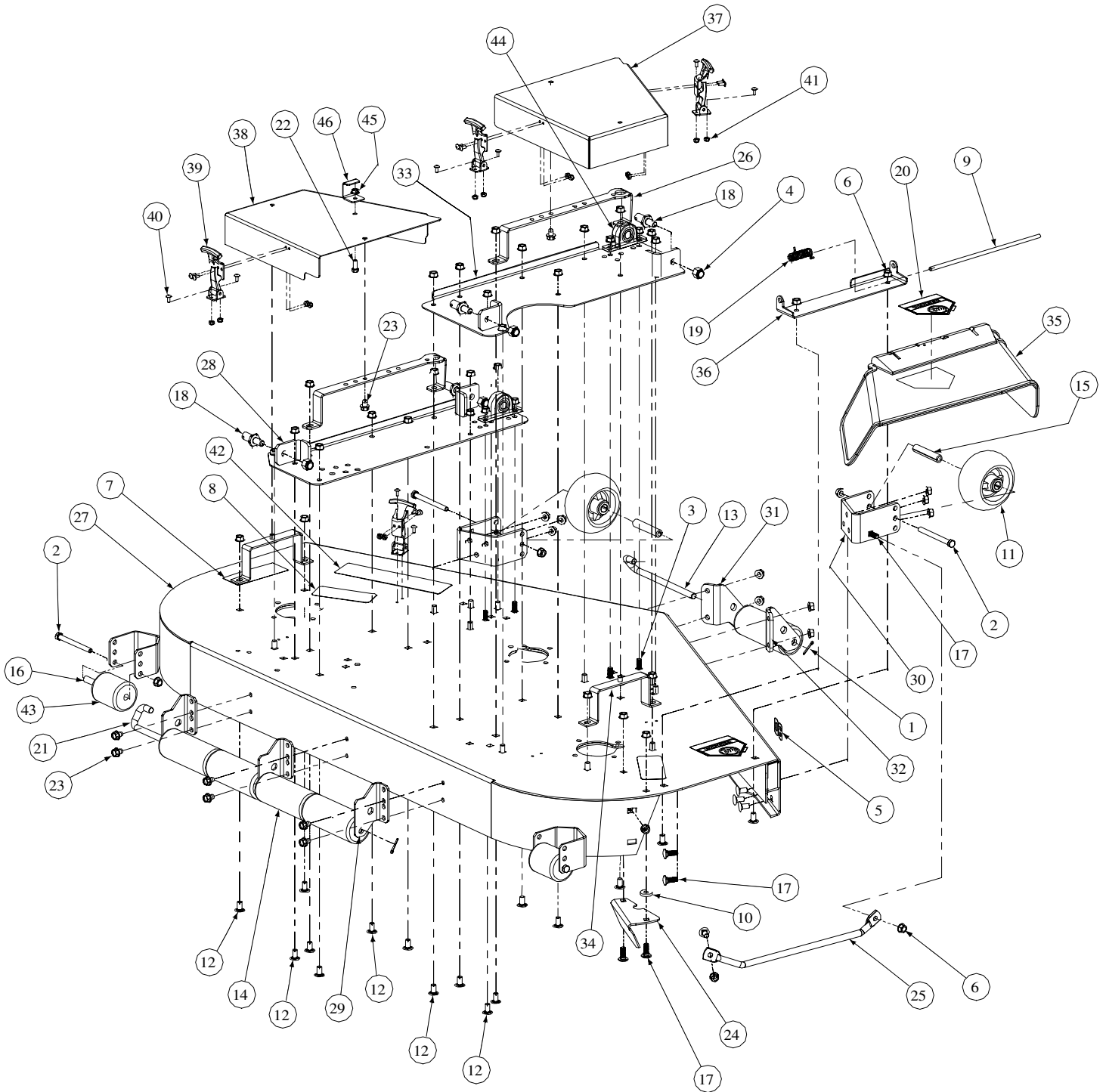
Frame Assembly- Figure 1 and Parts List



GD: 02000020-10/20/04

Ref. No.	Part No.	Description	Qty.
1	00022560	Hex Nut, 3/8-16 Flange Lock	7
2	01000372	Carriage Bolt, 3/8-16 x .75 Long	7
3	01001713	Bracket Assembly, Frame, Front	1
4	01003282	Clevis Pin, .625 Dia x 4.375 Long	2
5	01003993	Linch Pin, 3/16 Dia.	2
6	01005160	Plug, Square Tube	2
7	01008225	Push Retainer, 3/8	4
8	02000019	Frame Assembly	1
9	02000129	Cover, Hydro Fan	2

60" Fabricated Cutter Deck - Figure 6

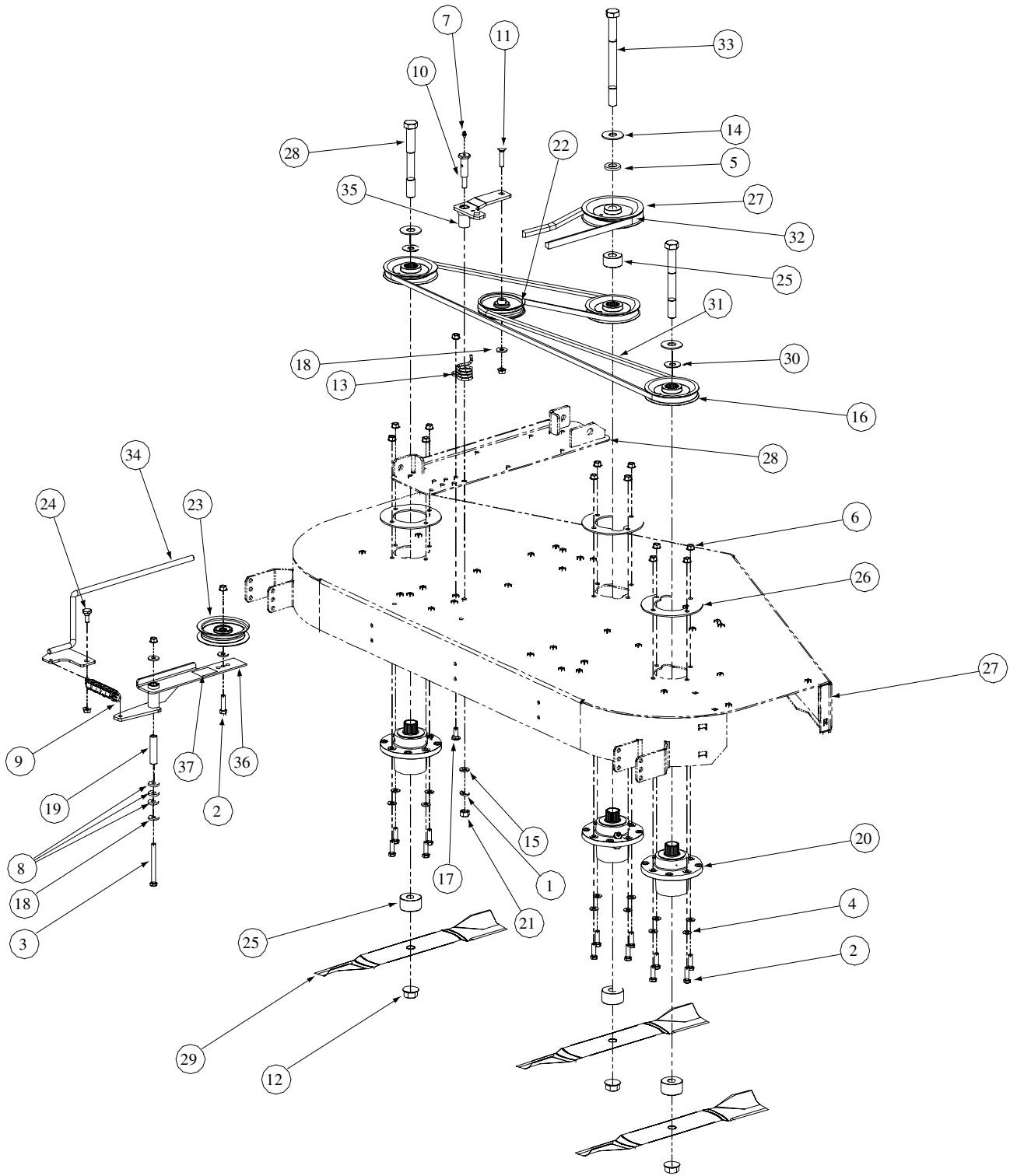


GD: 01009439-01/06/05

60" Fabricated Cutter Deck - Parts List for Figure 6

Ref. No.	Part No.	Description	Qty.
1	00003107	Cotter Pin, .125 Dia. x 1.0	2
2	00011925	Hex Cap Screw, 3/8-16, 3.75	4
3	01002010	Carriage Screw, 3/8-16 x 1.25	4
4	00012428	Lock Nut, Nylon Insert, 1/2-13	4
5	01002130	Label, 60"	2
6	00022560	Flange Lock Hex Nut, 3/8-16	50
7	00030633	Decal, Rotating Blade	1
8	00030635	Decal, Warning Shield Missing	2
9	01003254	Chute Deflector Rod	1
10	00083192	Idler Washer	1
11	01000343	Complete Wheel, 5.00 Dia.	2
12	01000372	Carriage Bolt, 3/8-16 x .75 Lg.	35
13	01000375	Roller Pin, 1/2 Dia. x 7.31 Lg.	1
14	01000385	Front Roller	5
15	01000398	Wheel Spacer	2
16	01009808	Spacer, .385 x .50 x 3.045	2
17	01000643	Carriage Bolt, 3/8-16 x 1	7
18	01001745	Pin, 5/8 Dia. x 1.2 Lg.	4
19	01003253	Torsion Spring, 0.41D x 2.16Lg	1
20	01002166	Decal, Danger Hand and Feet	2
21	01002635	Roller Pin	1
22	00013406	Hex Cap Screw, 5/16-18 x .75	1
23	01004304	Hex Index Washer Screw, 3/8-16, .5	8
24	01009300	Chute Bracket	1
25	01008644	Finger Guard	1
26	01004685	Belt Cover Support	2
27	01008814	60 Deck Assembly	1
28	01008633	Left Hand Mount Deck Bracket Assembly	1
29	01005364	Deck Roller Mount Bracket	3
30	01005260	Anti-Scalp Wheel Front Mount Bracket	2
31	01005256	Left Hand Front Roller Mount Bracket	1
32	01005258	Right Hand Front Roller Mount Bracket	1
33	01008635	Right Hand Deck Bracket Assembly	1
34	01005437	Outer Belt Cover Support Assembly	2
35	01006693	Chute Deflector	1
36	01008226	Chute Deflector Bracket	1
37	02000448	Right Hand Deck Belt Cover	1
38	02000447	Left Hand Deck Belt Cover	1
39	01005869	T-Handle Latch Draw	4
40	00017778	Phillips Head Screw, 10-32	16
41	00014608	Lock Nut, Nylon Insert, 10-32	16
42	01006086	Commercial Mower Label	1
43	01001169	Grass Catcher Roller	2
44	02000109	Pillow Block	2
45	01000635	Nut, 5/16-18, Hex Flange Lock	1
46	01004109	Stop Bracket	1

60" Fabricated Deck Spindle Assembly - Figure 7

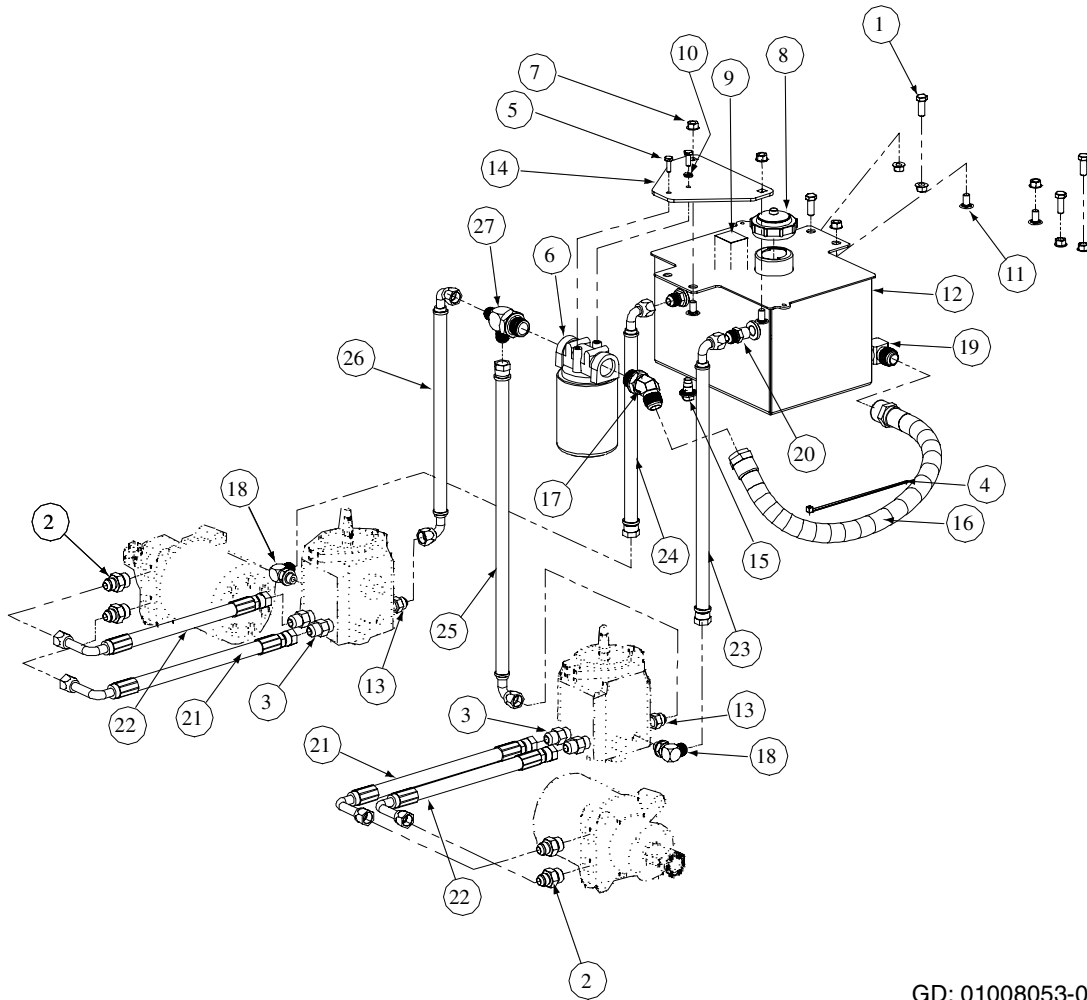


GD: 01005433-10/21/04

60" Fabricated Deck Spindle Assembly - Parts List for Figure 7

Ref. No.	Part No.	Description	Qty.
1	01000389	Lock Washer, 7/16	1
2	00008495	Hex Cap Screw, 3/8-16 x 1-1/4	13
3	00011925	Hex Cap Screw, 3/8-16, 4.00	1
4	00012158	Flat Washer, 3/8	12
5	00021925	Caster Spacer	1
6	00022560	Flange Lock Hex Nut, 3/8-16	17
7	00060078	Grease Fitting, 1/4-28 x 3/16	1
8	00083192	Idler Washer	3
9	01000199	Extension Spring, 1.0 x OD x 5.125	1
10	01000302	Shoulder Screw, 7/16-14	1
11	01000364	Hex Carriage Screw, 3/8-16, 1.75	1
12	01000380	Flange Hex Nut, 3/4-16	3
13	01000387	Torsion Idler Spring	1
14	01000392	Flat Washer, .781 ID 2.00 OD, .105	3
15	01000393	Flat Washer, .469 ID, .875 OD, .105	1
16	01005616	V-Pulley, 5.00 OD	3
17	01000643	Carriage Bolt, 3/8-16 x 1	1
18	01000723	Flat Washer, .406 ID, 1.0 OD, .105	4
19	01003245	Spacer, .39 ID x .625 OD x 2.75	1
20	01003532	Aluminum Spindle Assembly	3
21	00005763	Hex Nut, 7/16-14	1
22	01004081	Flat Pulley	1
23	01004101	Idler Pulley, 4.06 OD	1
24	01004118	Shoulder Screw, .50 x .27 Lg., 3/8-16	1
25	01004415	Spacer, .760 ID x 2.00 OD x 1.1	4
26	01005434	Aluminum Spindle Support Plate	3
27	01005203	V-Pulley, 5.774 OD	1
28	01005213	Hex Cap Screw, 3/4-16, 7.00	2
29	01005338	Hi-Lift Blade, 21.0, 0.756 ID	3
30	01003123	Spacer .812 ID x .268 LG	2
31	01005376	V-Belt, A Section x 122.3	1
32	01005377	V-Belt, B Section x 91.2	1
33	01005388	Hex Cap Screw, 3/4-16, 9.00	1
34	01005690	Spring Tension Rod Assembly	1
35	01005737	Idler Arm Assembly, Deck Spindle	1
36	01006181	Idler Arm Assembly, Flat Top Bearing	1
	01000308	Bearing Sleeve	2
37	01006382	Decal, Idler Location	1

Hydro Tank and Hose Assembly - Figure 8 and Parts List

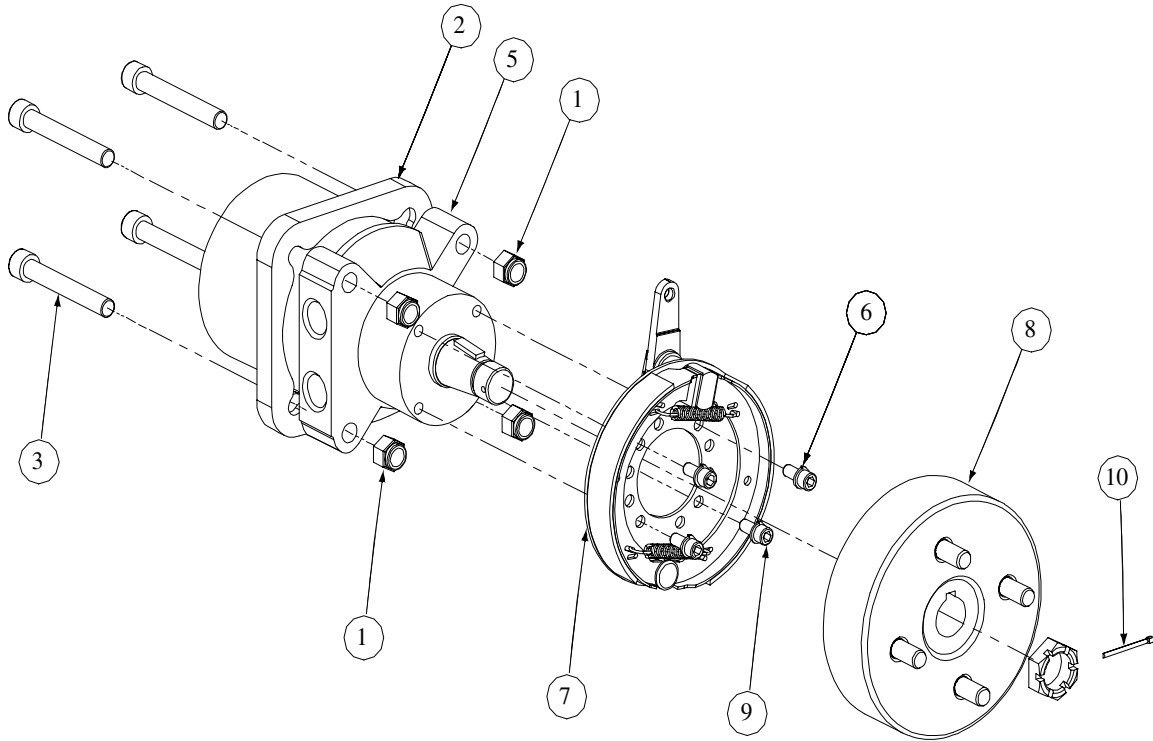


GD: 01008053-04/16/04

Ref. No.	Part No.	Description	Qty.	Ref. No.	Part No.	Description	Qty.
1	00006144	Hex Cap Screw, 3/8-16, 1	4	14	01001650	Oil Filter Mounting Plate	1
2	00012288	Fitting 1/2 x 3/4 - O Ring	4	15	01004192	Oil Pan Drain Plug w/ Seal	1
3	00012426	Fitting 1/2 x 1/2 - O Ring to Flare	4	16	01004268	Tank to Filter Hose Assembly	1
4	00012470	Cable Tie, 3/16 x .05 x 7.4	1	17	01004272	Fitting, 3/4 x3/4 x 45 degree	1
5	00013131	Hex Cap Screw, 1/4-20, .75	2	18	01004542	Elbow Fitting, 3/8 O-ring, 1/2 Flare	2
6	00017665	Filter Head 3/4 includes: 01004166 Filter	1	19	01004702	Fitting Elbow, 1/2 x 1/2	1
7	00022560	Hex Nut Flange Lock, 3/8-16	8	20	01006353	Fitting, 3/8 NPT, 1/2 Flare	2
8	00030261	Cap, Hydro Oil Tank	1	21	01008052	Long Pressure Hose Assembly	2
9	00031994	Decal Oil Only 20W50	1	22	01008054	Short Pressure Hose Assembly	2
10	00012132	Lock Washer, 1/4	1	23	01006901	17.75" Return Hose Assembly, RH	1
11	01000372	Carriage Bolt, 3/8-16 x .75 LG.	4	24	01006902	14.25" Return Hose Assembly, LH	1
12	01004516	Hydraulic Tank Assembly	1	25	01006914	21.25" Supply Hose Assembly, RH	1
13	01002606	Fitting Connector, 1/2 x 3/8	2	26	01006916	15.50" SupplyHose Assembly, LH	1
				27	01006959	Tee Fitting, 3/4 x 1/2 x 1/2	1

NOTE: Lubricant, 737-3120 Gallons, 3.25

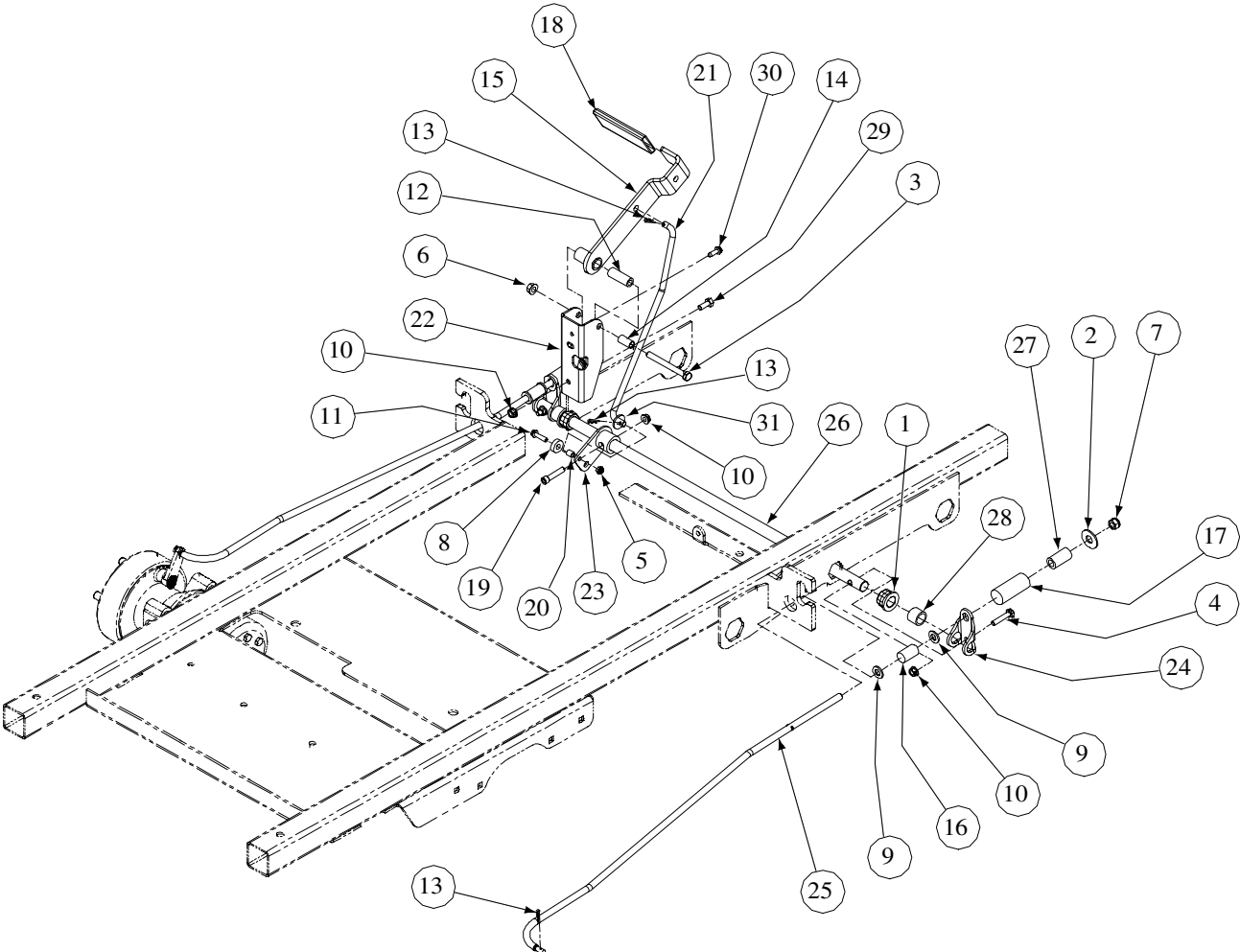
Brake Motor Mount and Hub- Figure 9 and Parts List



GD: 01008055-11/17/03

Ref. No.	Part No.	Description	Qty.
1	00012428	Lock Nut, Nylon Insert, 1/2-13	8
2	01009775	Motor Spacer	2
3	01008449	Socket Head Capscrew, 1/2-13; 6-1/2	8
4	01008436	Hyd. Motor, Parker Left Hand Assembly w/ Brake & Drum (Not Shown)	1
5	01008437	Hyd. Motor, Parker Right Hand Assembly w/ Brake & Drum	1
6	00012168	Lock Washer, 5/16	8
7	01007048	Brake Assembly w/Line	2
8	01007049	Hub and Drum Assembly w/Studs	2
9	01007464	Capscrew w/Socket, 5/16-18 x 3/4	8
10	01007773	Cotter Pin 1/8 x 1-1/2	2

Brake Assembly - Figure 10

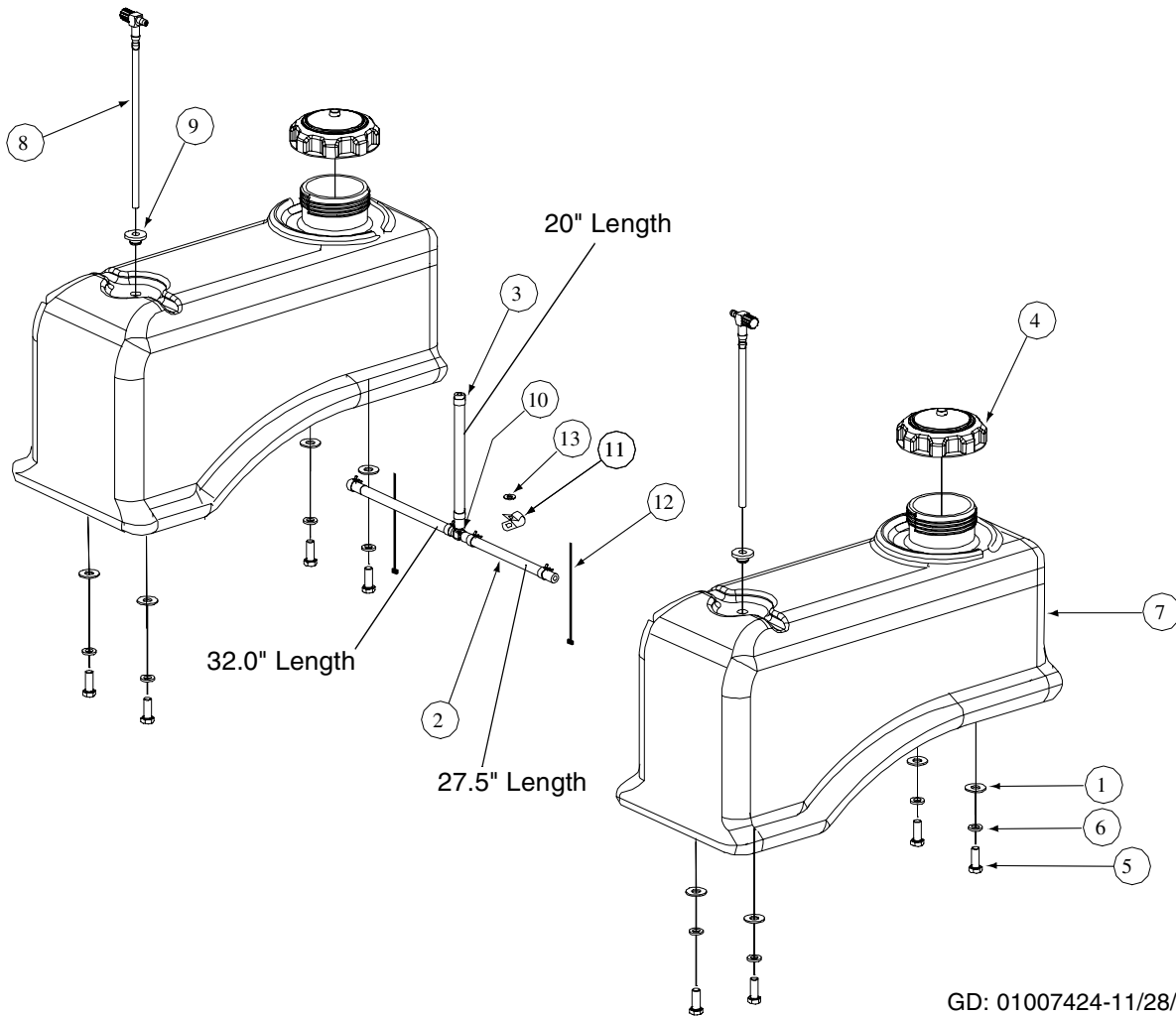


GD: 01009516-05/04/04

Brake Assembly - Parts List for Figure 10

Ref. No.	Part No.	Description	Qty.
1	741-0598	Hex Flange Bearing, .752 ID	2
2	00011459	Flat Washer, 1/2	2
3	01000371	Hex Cap Screw, 3/8-16 x 3-1/4	1
4	00012382	Hex Cap Screw, 5/16-18 x 1-1/2	2
5	00012152	LockNut, 1/4-20, Nylon Insert	1
6	00022560	Flange Lock Hex Nut, 3/8-16	1
7	00027279	Nylock Nut, 7/16-14	2
8	00071691	Spacer, Control Rod	1
9	01000393	Washer, .469 ID x .875 OD x .105	4
10	01000635	Hex Flange Lock Nut, 5/16-18	4
11	01000897	Self Tapping Screw, 1/4-20 x 1.00	1
12	01002751	Spacer, .39 x .63 x 1.75	1
13	01002771	Cotter Pin, .072 x 1.12 Lg	4
14	01003468	Spacer, .375 x .50 x .75 Lg	1
15	01003595	Brake Handle	1
16	01003574	Neutral Brake Spring	2
17	01003575	Force Brake Spring	2
18	01003716	Parking Brake Grip	1
19	01008600	Socket Head CapScrew, 5/16-18 x 1.50	1
20	01008607	Spacer, .375 OD x .257 ID x .438	1
21	01008886	Brake Rod	1
22	01008889	Parking Brake Mounting Bracket	1
23	01009561	Brake Arm Assembly	1
24	01009566	Brake Bracket	2
25	01009568	Linkage Brake Rod	2
26	01009569	Pivot Brake Shaft	1
27	01009601	Low Pressure Hose	2
28	01009602	Spacer, .76 ID x 1.0 OD x .75	2
29	00013092	HHCS, 5/16-18 x 1.0	1
30	01000629	Screw, TT, 1/4-20, 0.75, Hex Index Washer	1
31	01000723	Flat Washer, .406 ID, 1.0 OD, .105	1

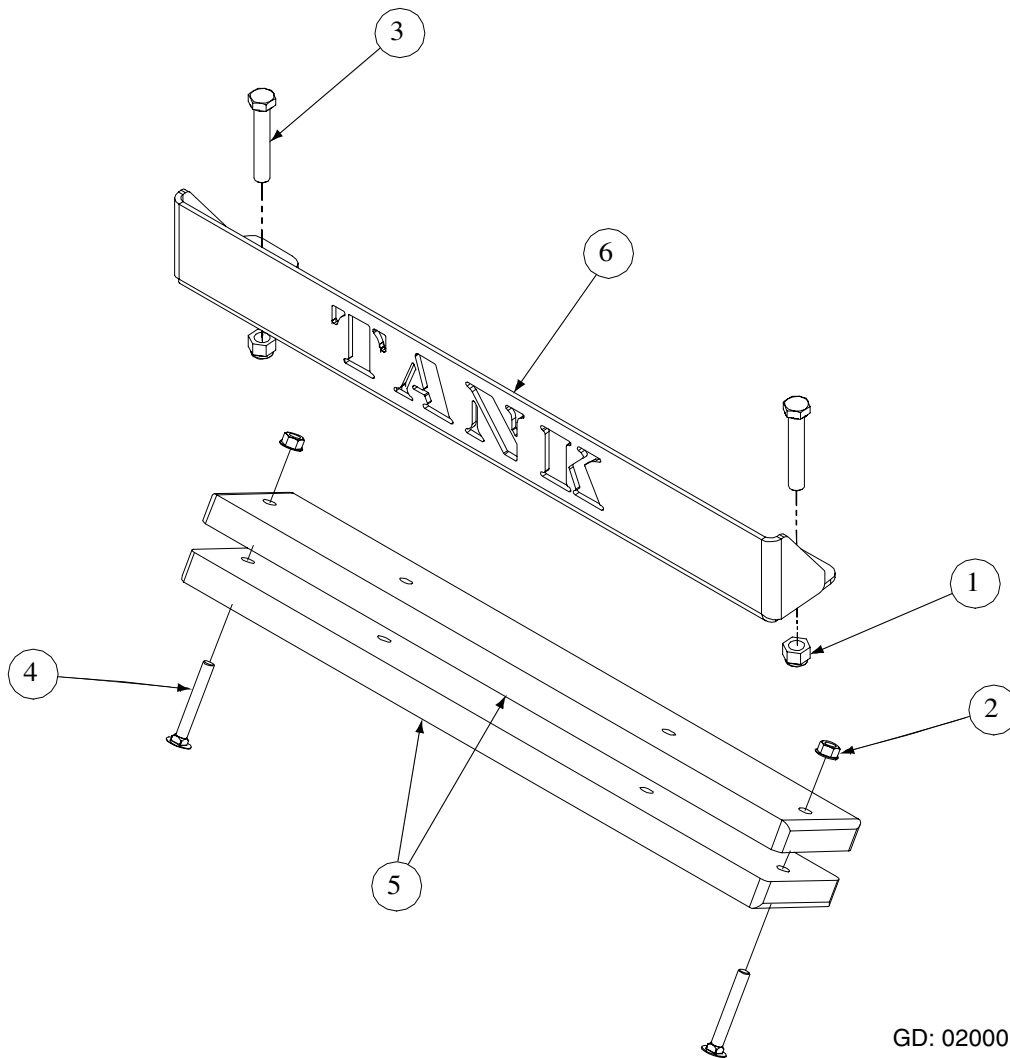
Fuel Tank Assembly - Figure 11 and Parts List



GD: 01007424-11/28/01

Ref. No.	Part No.	Description	Qty.
1	01000723	Flat Washer, .406 ID, 1.0 OD, .105	8
2	--	Hose, 1/4" Fuel Line (in inches)	79.5
3	00012235	Clamp, Union	6
4	01000069	Fuel Cap, 3.5	2
5	01000368	Hex, Cap Screw, 3/8-16, .88	8
6	00012157	Lock Washer, 3/8	8
7	01007218	Fuel Tank	2
8	01007425	Fuel Fitting	2
9	01000281	Fuel Tank Grommet	2
10	01003473	Tee Fitting, Fuel	1
11	00031081	Clamp	1
12	00012470	Cable Tie	2
13	01000600	Flatwasher 1/4 x .630 x .0515	1

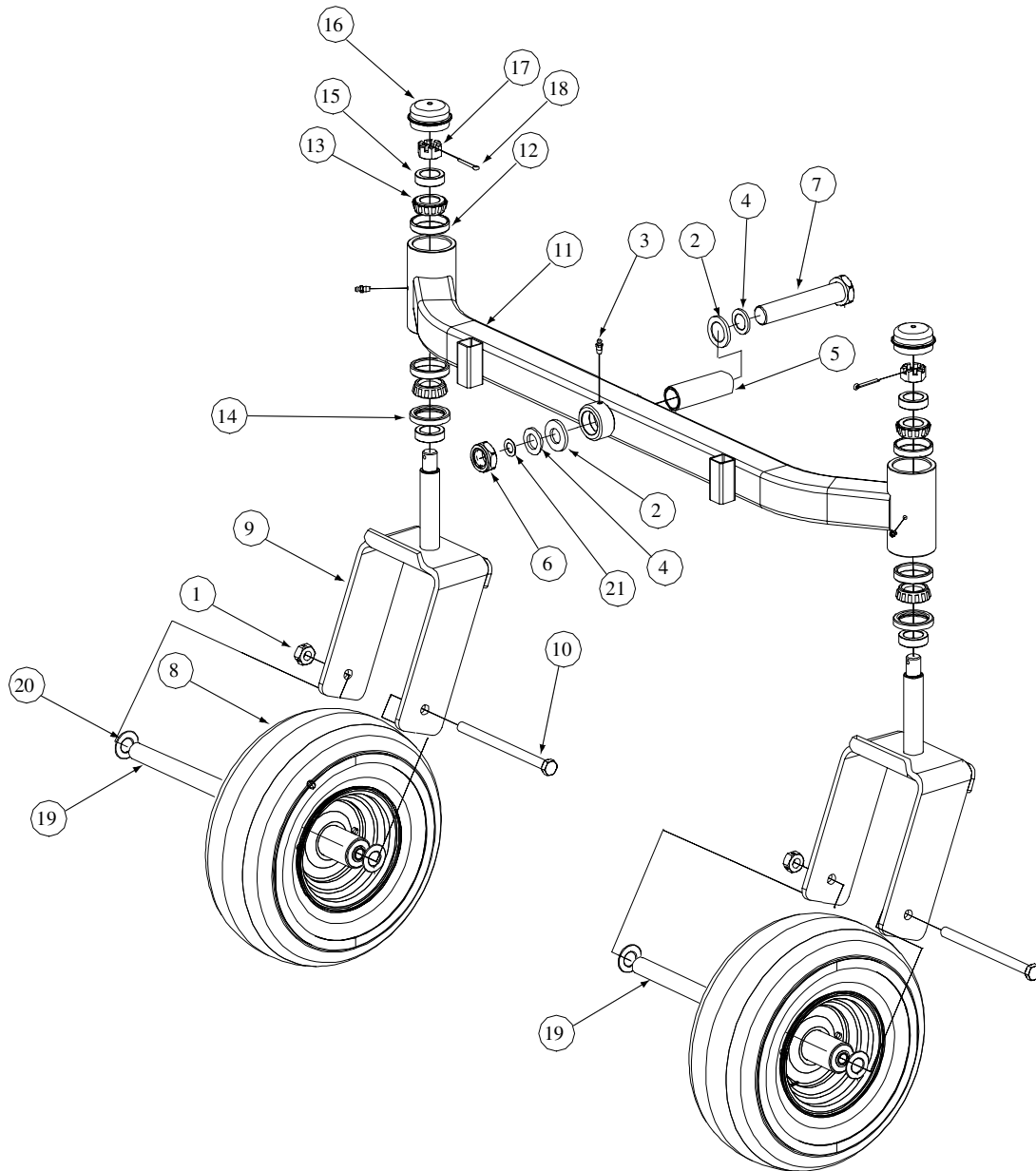
Rear Bumper - Figure 12 and Parts List



GD: 02000180-10/21/04

Ref. No.	Part No.	Description	Qty.
1	00012428	Hex Nut, 1/2-13, Insert Lock	2
2	00022560	Nut, Hex 3/8-16 Flange Lock	2
3	00030046	HHCS, 1/2-13, 3.00	2
4	01003534	Carriage Bolt, 3/8-16 x 2.75	2
5	01009992	Bar, Weight	2
6	02000453	Rear Bumper Plate	1

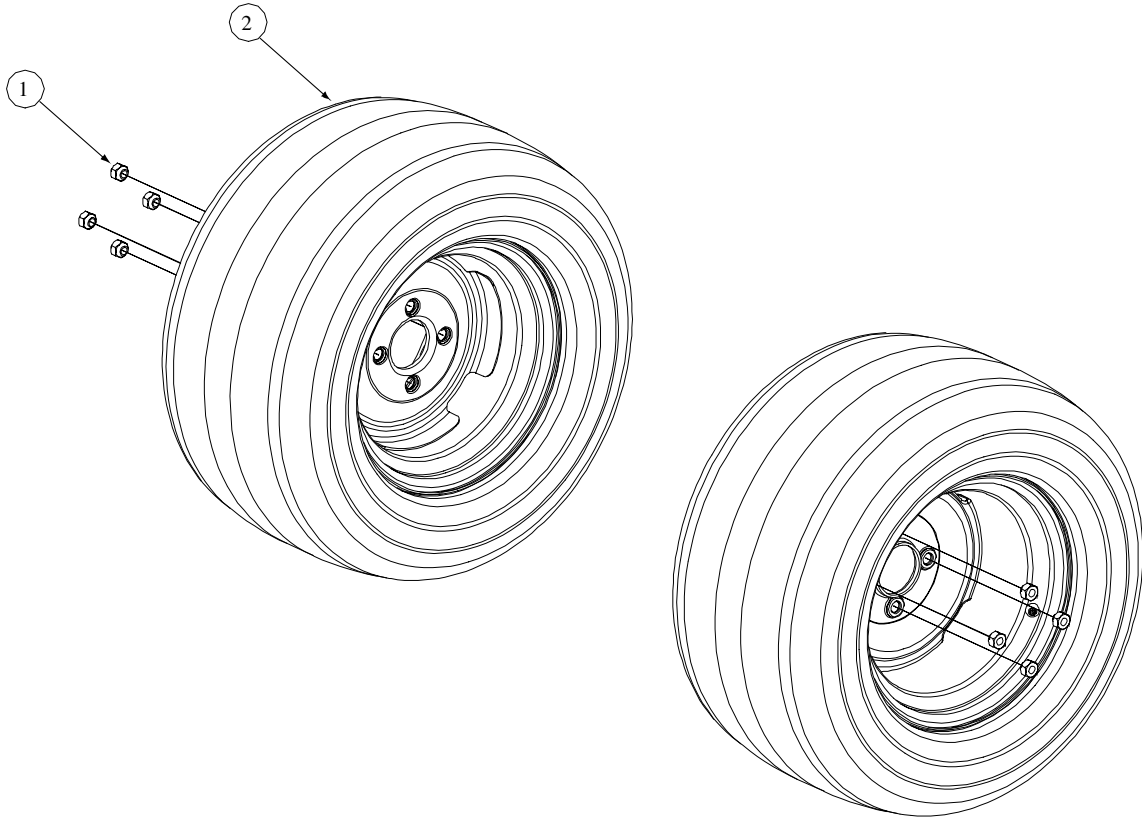
Front Caster Assembly - Figure 14 and Parts List



GD: 02000369-10/21/04

Ref. No.	Part No.	Description	Qty.	Ref. No.	Part No.	Description	Qty.
1	00023287	Nut, 1/2-20, Center Lock	2	12	01002620	Cup Bearing	4
2	01006294	Bell Washer, 1.25 ID	2	13	01002621	Bearing Cone	4
3	00060078	Grease Fitting	3	14	01002622	Seal	2
4	02000588	Flat Washer, 1.00 ID	2	15	01002624	Ring Seal	4
5	02000589	Spacer, 1.005 ID x 1.25 OD x 3.6	1	16	01006347	Grease Cap, 1.986 OD	2
6	01000678	Nut, Jam, 1.0-14, Insert Lock	1	17	01002626	Slotted Nut, 3/4-16	2
7	01006309	Hex Cap Screw, 1-14 x 5.0	1	18	01002627	Cotter Pin, 5/32, 1.25	2
8	01006913	Wheel, 13 x 6.50 x 6, White	2	19	01006912	Wheel Spacer	2
9	01007407	Yoke, Caster Wheel	2	20	01003123	Spacer, .812 ID x .218LG	4
10	01006961	HHCS, 1/2-20, 7.50	2	21	01009997	Retainer Extension, Self Locking	1
11	02000439	Front Axle Assembly	1				

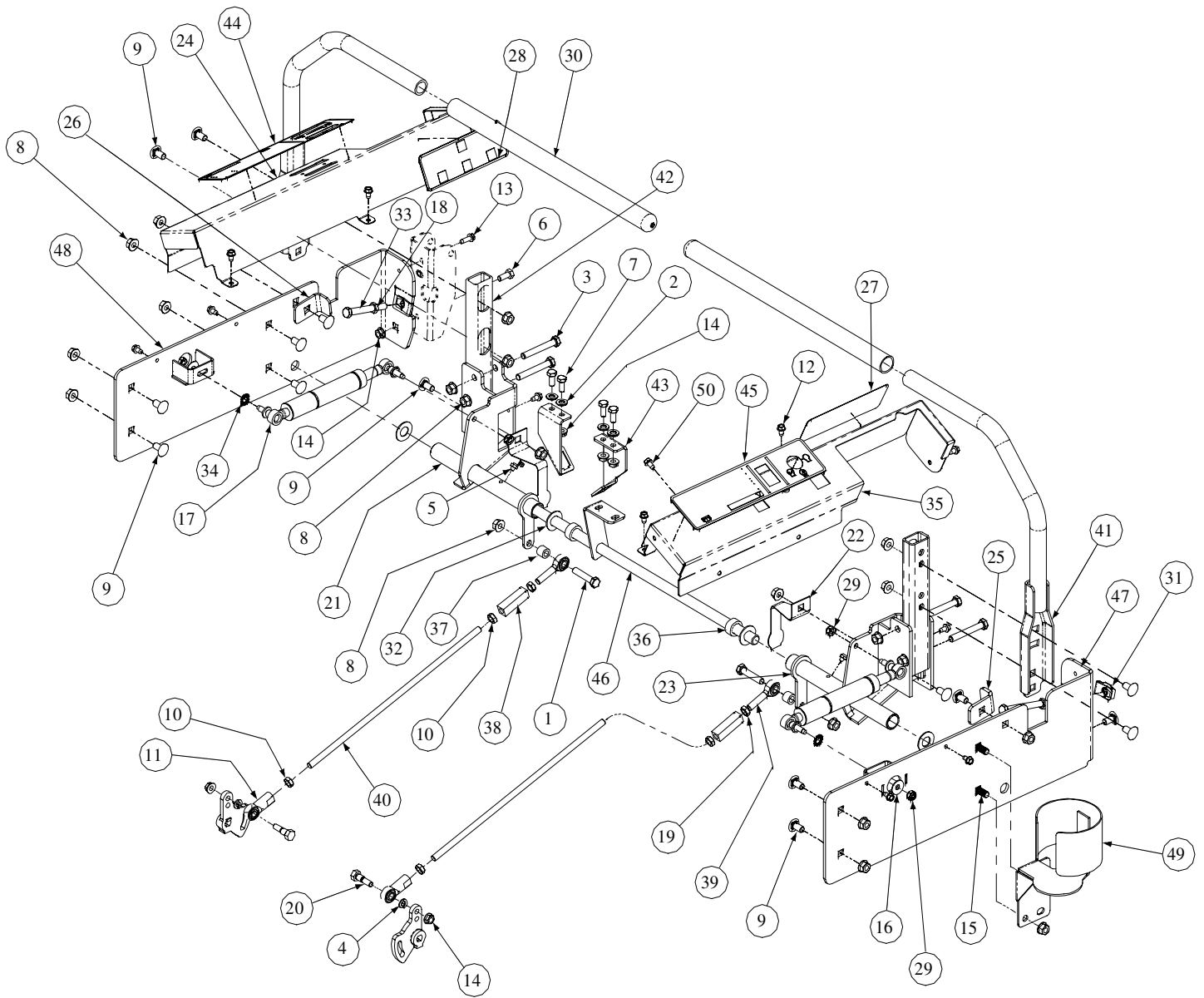
60" Wheel Assembly - Figure 15 and Parts List



GD: 01002572-09/27/00

Ref. No.	Part No.	Description	Qty.
1	00012187	Lug Nut, 1/2-20	8
2	01002182	Wheel Assembly, 24 x 12-8, Dr, White: Includes	2
	01004473	Tire, Turf Saver, 24 x 12.00-12, 2-Ply	
OPTIONAL TIRES			
	01006324	Turf Master, Rear Wheel Assembly	

Control Assembly- Figure 16

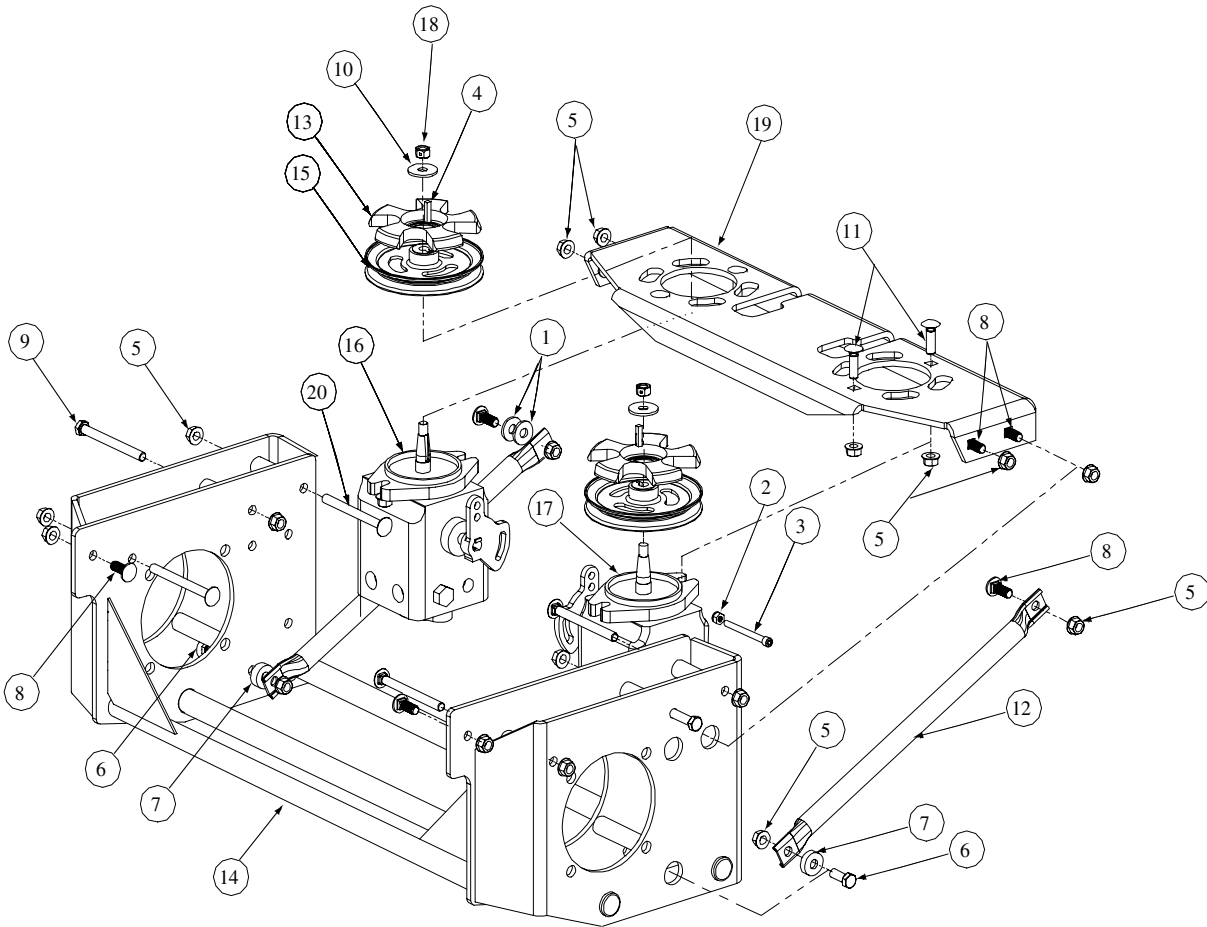


GD: 02000030-10/20/04

Control Assembly - Parts List for Figure 16

Ref. No.	Part No.	Description	Qty.	Ref. No.	Part No.	Description	Qty.
1	00008495	Capscrew, 3/8-16 x 1-3/4	2	25	01003199	Stop, RH	1
2	00009812	Flat Washer, 5/16	4	26	01003200	Stop, LH	1
3	00011861	HHCS, 3/8-16, 2.25	4	27	01003451	Decal Right Hand Control	1
4	00012168	5/16, Lock Washer	2	28	01003452	Decal, Left Hand Control	1
5	00012226	Grease Fitting, 90°	2	29	01003561	Nut, Hex, Center Lock, M8	4
6	00013092	HHCS, 5/16-18 x 1.0	1	30	01003715	Grip, 1.0	2
7	00013406	Hex, Cap Screw, 5/16-18 x 3/4	4	31	01003947	U-Nut, 3/8-16, .75	2
8	00022560	Hex Nut, 3/8-16, Lock Flange	23	32	01004003	Flat Washer, 5/8 Nylon	4
9	01000372	Carriage Bolt, 3/8-16 x .75	15	33	01004127	HHCS, 3/8-16, 3.00	2
10	01000450	Hex Jam Nut, 3/8-24	4	34	01005851	External Washer, 3/8	2
11	01000451	B/Joint, 3/8-24, Right Hand Female	2	35	01004890	Control Panel, RH	1
12	01000628	Screw, TT, 1/4-20, 0.5, Hex Index Washer	11	36	01006350	Shaft Collar	2
13	01000629	Screw, TT, 1/4-20, 0.75, Hex Index Washer	1	37	01007312	Spacer, .385ID x .625 OD x .50 Lg	2
14	01000635	Nut, Lock, HexFlange, 5/16-18	7	38	01007734	Turnbuckle	2
15	01000643	Carriage Bolt, 3/8-16 x 1	2	39	01008367	B/Joint, 3/8-24, Left Hand Female	2
16	01000960	Belle Washer, .325 x .930 x .045	2	40	01008518	Rod Connector 3/8 OD x 14.25	2
17	01001727	Cylinder Return to Neutral	2	41	01010190	Lapbar, Handle Assembly	2
18	01002511	Nut, 3/8-16, Jam	2	42	01010176	Mounting Handle	2
19	01002986	Nut, 3/8-24, Jam, LH Third	2	43	02000164	Switch Mounting Bracket, Lapbar	2
20	01002988	Screw, Shoulder Control Rod	2	44	02000162	Decal, Left Hand Console	1
21	01003044	Hub Assy, Control LH Bearing	1	45	02000163	Decal, Right Hand Console	1
	01004265	Bearings	2	46	02000175	Shaft Control Brake Steering	1
22	01003011	Lever, Safety Switch	2	47	02000178	Side Panel, Control, Right	1
23	01003045	Hub Assy, Control RH Bearing	1	48	02000179	Side Panel, Control, Left	1
	01004265	Bearings	2	49	02000340	Cup Holder Assembly	1
24	01004889	Control Panel, LH	1	50	01000443	Screw Button Head, 1/4-20 x .5	1

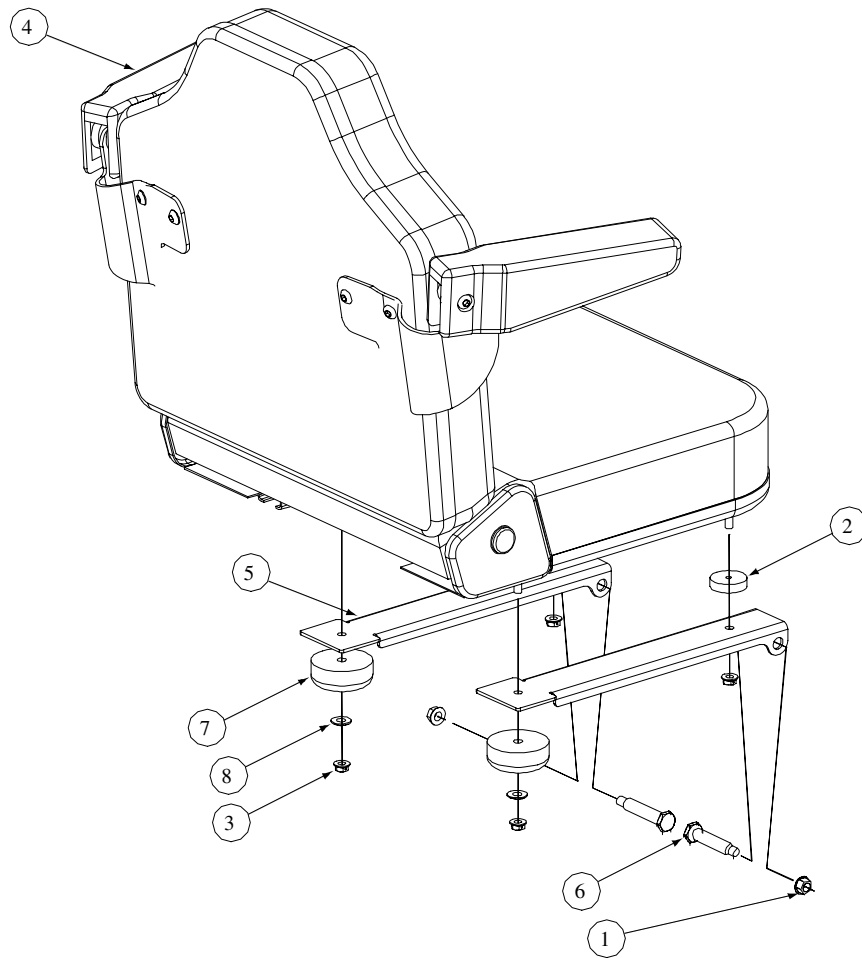
Hydro Pump Assembly- Figure 17 and Parts List



GD: 01008051-01/12/05

Ref. No.	Part No.	Description	Qty.	Ref. No.	Part No.	Description	Qty.
1	00012157	Washer lock 3/8 zinc	2	11	01002010	Carriage Screw, 3/8-16 x 1.25	4
2	00012152	Lock Nut, Nylon Insert, 1/4-20	2	12	01001618	Strut Frame	2
3	00019962	Socket Head Cap Screw, 1/4-20 x 2-1/2	2	13	01005339	Hydro Pulley Fan	2
4	00020628	Key, 3/16" x 7/8"	2	14	01008050	Hydro Motor Frame Assembly	1
5	00022560	Flange Lock Hex Nut, 3/8-16	20	15	01006799	Hydro Pump Pulley	2
6	01000369	Hex Cap Screw, 3/8 -16 x 1.25	2	16	01006936	Hydro Pump, LH	1
7	750-3119	Spacer, .406 ID x 1.00 OD x .38	2	17	01006937	Hydro Pump, RH	1
8	01000643	Carriage Bolt, 3/8-16 x 1	8	18	01007309	Hex Nut, 3/8-24	2
9	00011925	Hex Cap Screw, 3/8-16 x 4.00	2	19	01006735	Hydro Pump Mount	1
10	01000872	Flat Washer, .411 x 1.25 x .100	2	20	01008049	Carriage Bolt, 3/8-16 x 4"	4

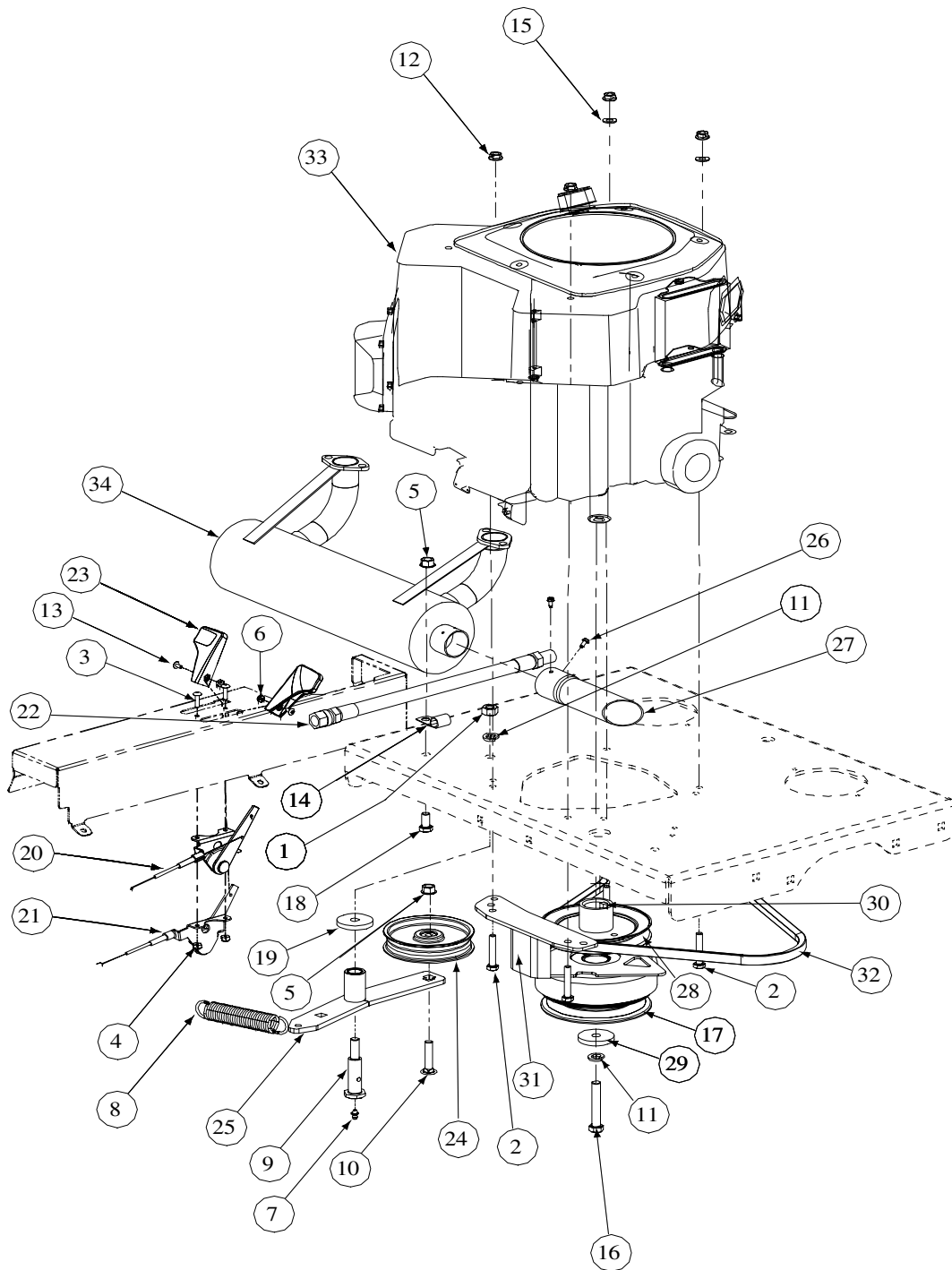
Seat Assembly- Figure 18 and Parts List



GD: 01005780-01/10/05

Ref. No.	Part No.	Description	Qty.
1	00022560	Nut, Hex 3/8-16 Flange Lock	2
2	750-3119	Spacer, 0.406 ID x 1.00 OD x .38	2
3	01000635	Lock Nut, Hex Flange, 5/16-18	4
4	01010115	Adjustable Seat, Black embossed, Includes Seat Switch	1
5	01001630	Mounting Bracket, Seat	2
6	01002634	Shoulder Screw, .50x2.345, 3/8-16	2
7	01002753	Grommet, 2.5 OD x 1.0 Long	2
8	01000960	Washer	2

27HP Kohler Engine Assembly - Figure 19



Description	Part Number
Air Filter (Primary)	KH-25-083-01-S
Air Filter (Safety)	KH-25-083-04-S
Fuel Filter	KH-25-050-08-S
Oil Filter	KH-12-050-08
Spark Plug	759-3336

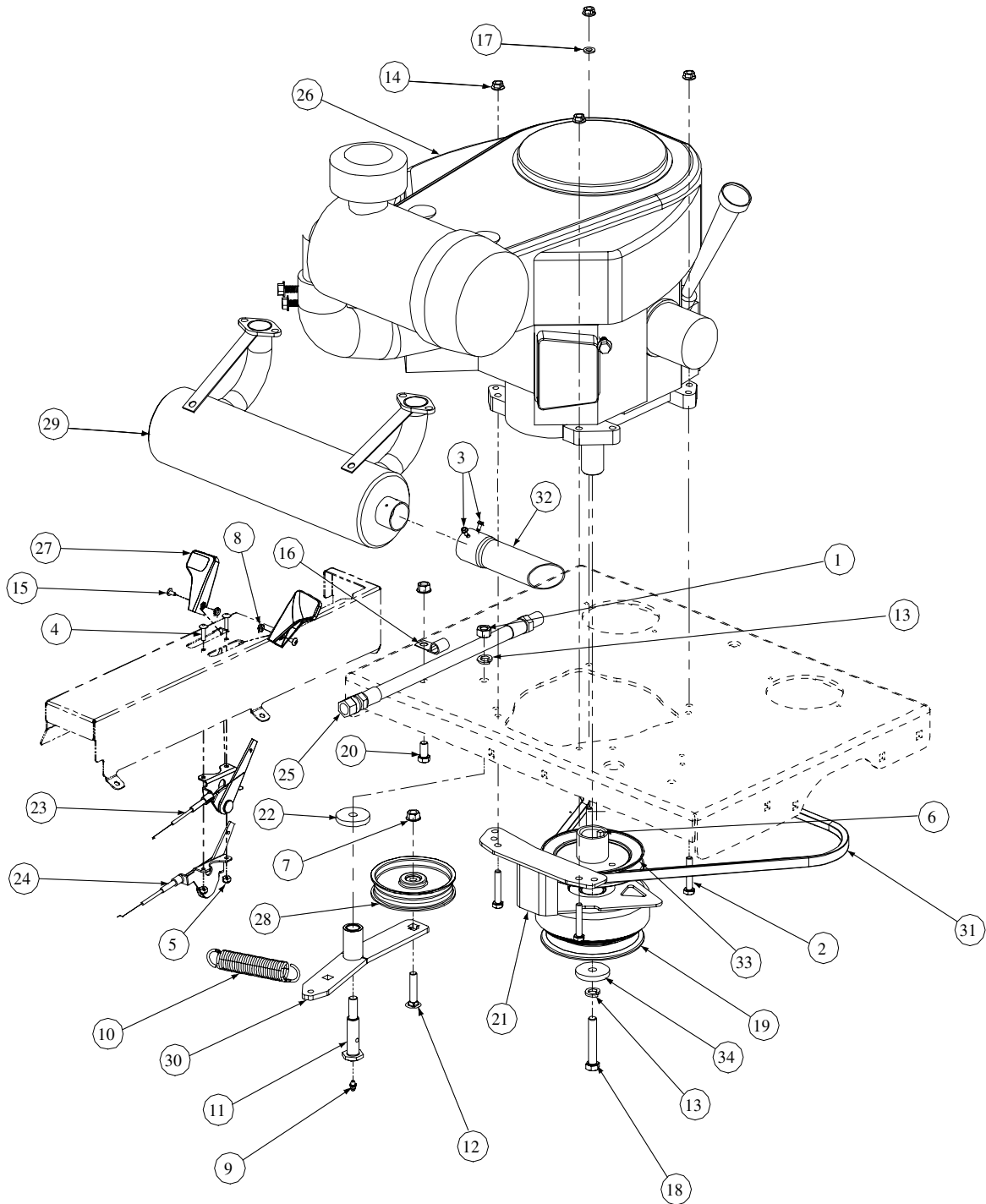
GD: 01008286-10/11/04

27HP Kohler Engine Assembly - Parts List for Figure 19

Ref No	Part No.	Description	Qty.
1	00005763	Hex Nut, 7/16-14	1
2	00006129	HHCS, 5/16-18, 1-3/4	4
3	00014602	Round Hd. Machine Screw, 10-32 x 3/4	2
4	00014608	Lock Nut, Nylon Insert, 10-32	2
5	00022560	Flange Lock, Hex Nut, 3/8-16	2
6	00060056	Nut Washer, W/Star, 8-32	2
7	00060078	Grease Fitting, 1/4-28 x 3/16	1
8	01000199	Extension Spring, 1.0 OD x 5.125	1
9	01000302	Shoulder Screw, 7/16-14	1
10	01000364	Hex Carriage Screw, 3/8-16, 1.75	1
11	01000389	Lock Washer, 7/16	2
12	01000635	Hexflange Lock Nut, 5/16-18	4
13	01000721	Machine Screw, 8-32, .375	2
14	01000728	Clip, Heat Shield Cable	1
15	00012169	Flat Washer, 5/16	2
16	01001395	Capscrew, 7/16-20 x 2.50	1
17	01001979	Clutch Brake, 1.125 ID	1
18	01002601	Hex Cap Screw, 3/8-16, .750	1
19	01003269	Flat Washer, 7/16 ID x 1.75 OD x .25	1
20	01008256	Choke Control Cable	1
21	01003273	Throttle Control Cable	1
22	01003283	Oil Drain Hose	1
23	01004004	Control Throttle Knob	2
24	01004081	Flat Pulley with Flanges	1
25	01005006	Engine Idler Arm Casting	1
26	01000811	Screw, #8-32, 0.375 Hxindwsh	2
27	01008623	Straight Exhaust Pipe, Selxsys	1
28	01005104	Pump Drive Pulley	1
29	01005314	Flat Washer, 7/16 ID x 1.75 OD x .25	1
30	01005856	Key, 1/4 x 1/4 x 3	1
31	01006456	Retainer Clutch Assembly, Ogura	1
32	01007015	Belt, 51.2 Lg	1
33	01007598	Engine, 27HP Kohler	1
34	01006566	Muffler Accessory Kohler	1

Note: Engine Oil 10W40 by the Gallon

25HP Kawasaki Engine Assembly - Figure 20



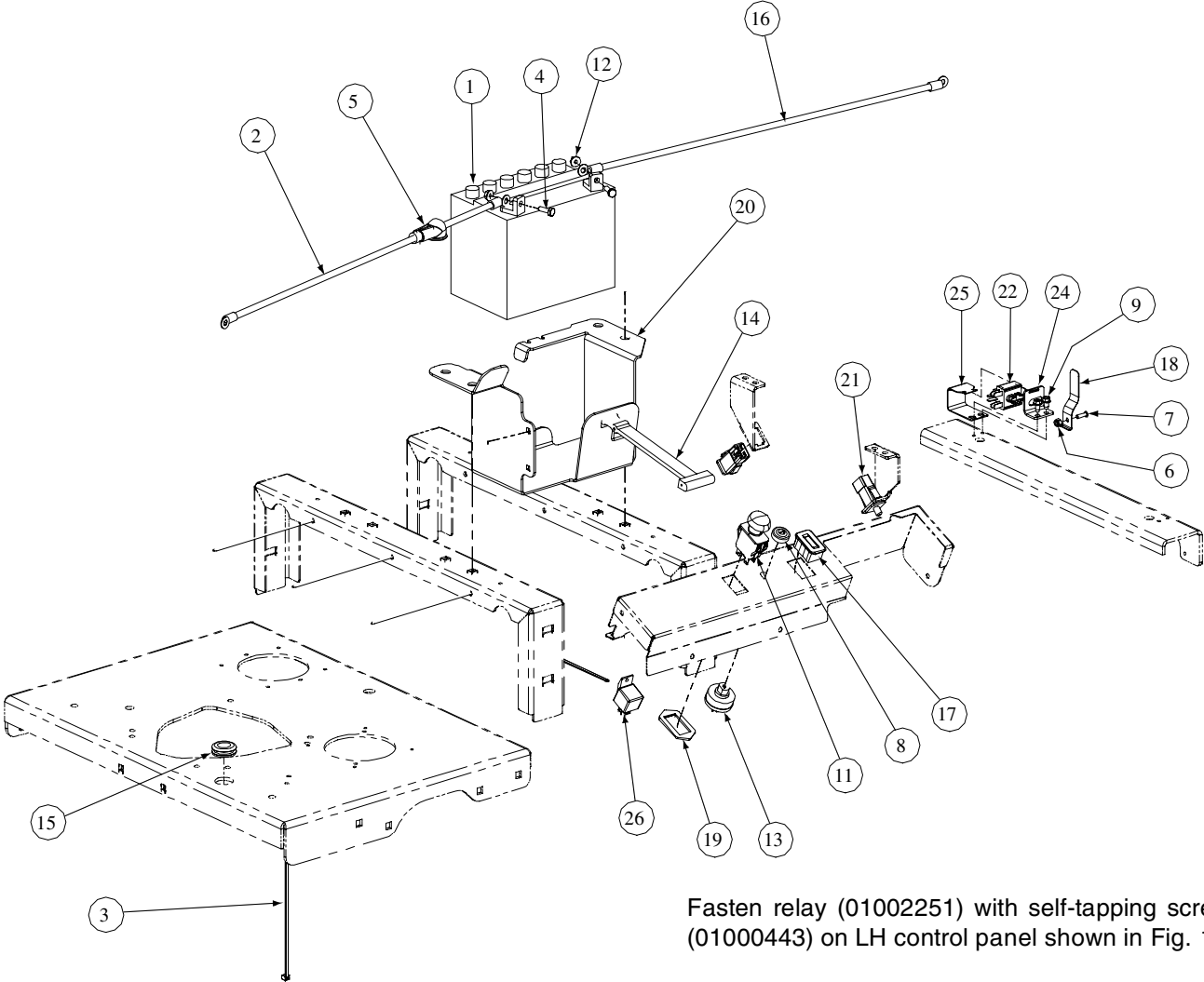
Description	Part Number
Air Filter	KM-11013-7020
Air Filter (Inner)	KM-11013-7019
Fuel Filter	KM-49019-7001
Oil Filter	KM-49065-2078
Spark Plug	KM-BPR4ES

GD: 01007227-10/11/04

25HP Kawasaki Engine Assembly - Parts List for Figure 20

Ref No	Part No.	Description	Qty.
1	00005763	Hex Nut, 7/16-14	1
2	00006129	HHCS, 5/16-18, 1-3/4	4
3	01000811	Screw, #8-32 x 0.375	2
4	00014602	Round Hd. Machine Screw, 10-32 x 3/4	2
5	00014608	Lock Nut, Nylon Insert, 10-32	2
6	01005856	Key, 1/4 x 1/4 x 3	1
7	00022560	Flange Lock, Hex Nut, 3/8-16	2
8	00060056	Nut Washer, W/Star, 8-32	2
9	00060078	Grease Fitting, 1/4-28 x 3/16	1
10	01000199	Extension Spring, 1.0 OD x 5.125	1
11	01000302	Shoulder Screw, 7/16-14	1
12	01000364	Hex Carriage Screw, 3/8-16, 1.75	1
13	01000389	Lock Washer, 7/16	2
14	01000635	Hexflange Lock Nut, 5/16-18	4
15	01000721	Machine Screw, 8-32, .375	2
16	01000728	Clip, Heat Shield Cable	1
17	00012169	Flat Washer, 5/16	1
18	01001395	Capscrew, 7/16-20 x 2.50	1
19	01001979	Clutch Brake, 1.125 ID	1
20	01002601	Hex Cap Screw, 3/8-16, .750	1
21	01006456	Retainer Clutch Assembly, Ogura	1
22	01003269	Flat Washer, 7/16 ID x 1.75 OD x .25	1
23	01003271	Choke, Control Cable, 43.0	1
24	01003272	Throttle, Control Cable, 39.0	1
25	01003283	Oil Drain Hose	1
26	01008525	25HP Twin Engine, Kawasaki	1
27	01004004	Control Throttle Knob	2
28	01004081	Flat Pulley with Flanges	1
29	01009299	Muffler Accessory, Kawasaki	1
30	01005006	Engine Idler Arm Casting	1
31	01007015	V Belt, A Section x .47.3	1
32	01008623	Muffler Accessory Exhaust Tube	1
33	01005104	Pump Drive Pulley	1
34	01005314	Flat Washer, 7/16 ID x 1.75 OD x .25	1

Electrical Assembly Kohler - Figure 23



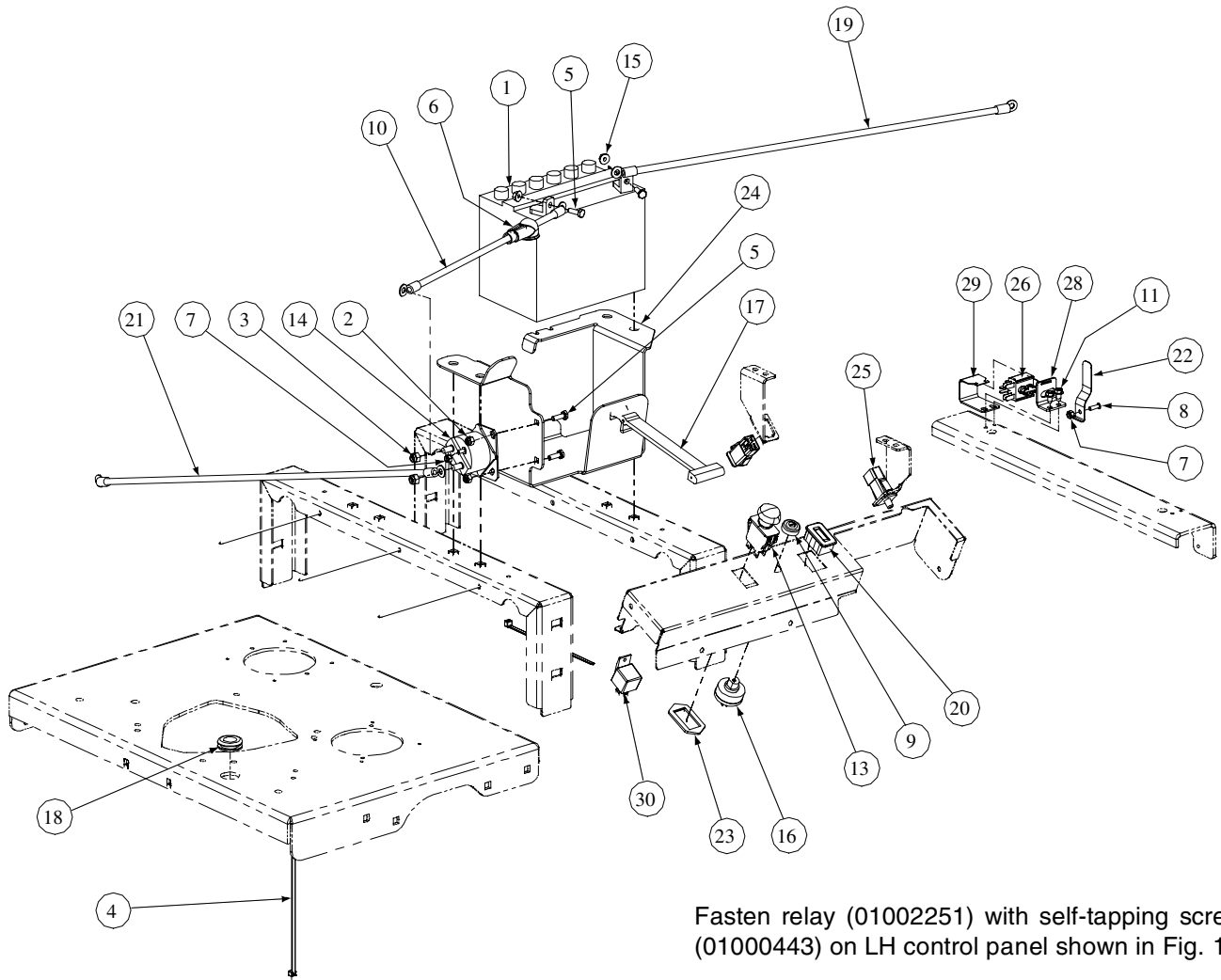
Fasten relay (01002251) with self-tapping screw (01000443) on LH control panel shown in Fig. 16.

GD: 02000365-10/22/04

Electrical Assembly Kohler - Parts List for Figure 23

Ref. No.	Part No.	Description	Qty.
1	00012032	Battery, 12V 225CCA 30 Min	1
2	00012289	Cable, Battery, Red, 36"	1
3	00012470	Tie, Cable, 3/16 x .05 x 7.4"	5
4	00013131	Screw, Hex, Cap, 1/4-20 x .75	2
5	00013258	Boot, 1" OD Rubber Battery-PST, Red	1
6	00014608	Lock Nut, Nylon Insert	1
7	00030906	Screw, Phillips Head, Machine, 10-32 x 5/8	1
8	00032097	Nut, W/Cap, 5/8-32 Ignition	1
9	01000628	Screw, TT, 1/4-20, 0.5, Hex Index Washer	2
10	01001811	Hourmeter, Harness (not shown)	1
11	01002111	Switch, Electric, PTO	1
12	01002766	Lock Nut, 1/4-20	2
13	01003581	Switch, Ignition, 6 Pin	1
14	01003649	Strap, Battery	1
15	01004040	Grommet, .75 ID	1
16	01004078	Cable, Battery Red, 28"	1
17	01005389	Meter, Hour	1
18	01008042	Spring Retainer	1
19	01009905	Bracket, PTO Switch Retainer	1
20	01009995	Mount Bracket, Battery	1
21	02000024	Switch, Safety N.O./N.C.	2
22	02000165	Switch Plunger	1
23	02000592	Harness Assembly (not shown)	1
24	02000349	Bracket, Plunger Switch	1
25	02000348	Clamp, Plunger Switch	1
26	01002251	Relay, 12V 40A	1

25HP Electrical Assembly Kawasaki - Figure 24



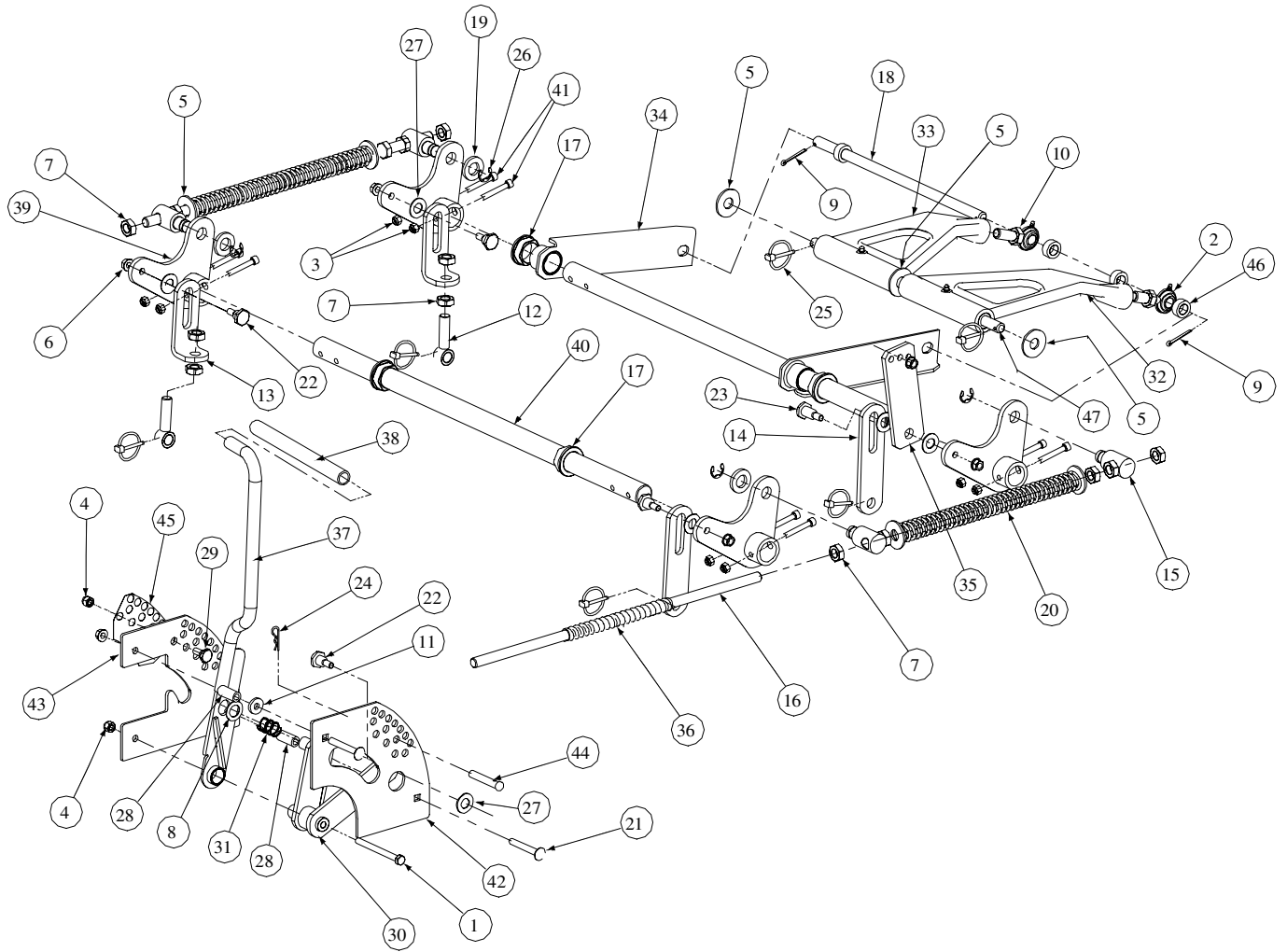
Fasten relay (01002251) with self-tapping screw (01000443) on LH control panel shown in Fig. 16.

GD: 02000363-10/22/04

25HP Electrical Assembly Kawasaki - Parts List for Figure 24

Ref. No.	Part No.	Description	Qty.
1	00012032	Battery, 12V 225CCA 30 Min	1
2	00012152	Lock Nut w/Nylon Insert	2
3	00012165	Nylock Nut, 5/16-18	2
4	00012470	Tie, Cable, 3/16 x .05 x 7.4"	5
5	00013131	Screw, Hex, Cap, 1/4-20 x .75	4
6	00013258	Boot, 1" OD Rubber Battery-PST, Red	1
7	00014608	Nut, Lock, Nylon Insert, #10-32	2
8	00030906	Screw, Phillips Head, Machine, 10-32 x 5/8	1
9	00032097	Nut, W/Cap, 5/8-32 Ignition	1
10	00095773	Cable, Battery, Red, 15"	1
11	01000628	Screw, TT, 1/4-20, 0.5, Hex Index Washer	2
12	01001811	Hourmeter, Harness (not shown)	1
13	01002111	Switch, Electric, PTO	1
14	01002228	Solenoid Magnetic Switch	1
15	01002766	Hex Flange Lock Nut, 1/4-20	2
16	01003581	Switch, Ignition, 6 Pin	1
17	01003649	Strap, Battery	1
18	01004040	Grommet, .75 ID	1
19	01004078	Cable, Battery Black, 28"	1
20	01005389	Meter, Hour	1
21	01005406	Cable, Battery Red, 32"	1
22	01008042	Spring Retainer	1
23	01009905	Bracket, PTO Switch Retainer	1
24	01009995	Mount Bracket, Battery	1
25	02000024	Switch, Safety N.O./N.C.	2
26	02000165	Switch, Plunger	1
27	02000591	Harness Assembly (not shown)	1
28	02000349	Bracket, Plunger Switch	1
29	02000348	Clamp, Plunger Switch	1
30	01002251	Relay, 12V 40A	1

Lift Assembly - Figure 25

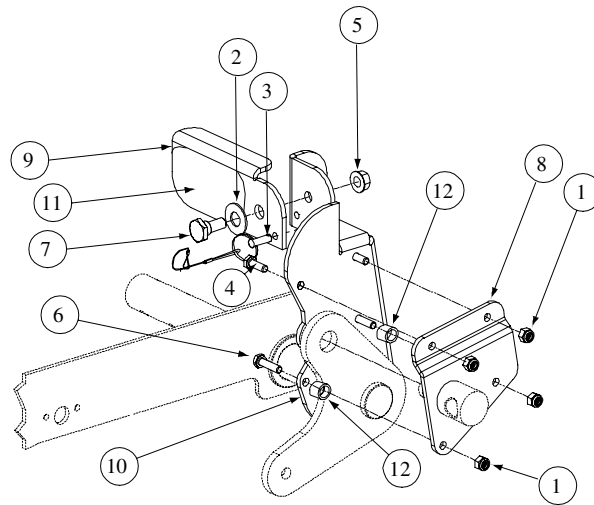


GD: 01008452-11/22/04

Lift Assembly - Parts List for Figure 25

Ref. No.	Part No.	Description	Qty.
1	00011925	Hex Cap Screw, 3/8-16, 3.75	1
2	01007487	Rod End, Male	2
3	00012165	Nut, 5/16-18, Nylock	8
4	00012173	Nylock Insert Lock Nut, 3/8-16	2
5	00013432	Flat Washer, 5/8	7
6	00022560	Hex Nut, Flange Lock, 3/8-16	7
7	00035632	Jam Nut, 5/8-11	14
8	00060017	Flat Washer, .06, .776, 1.25	1
9	00060018	Cotter Pin, 3/16 x 1-1	2
10	01007526	Jam Nut, 5/8-18	2
11	00083192	Idler Washer	1
12	01001744	Eye Bolt, 5/8ID	2
13	01004917	Eye Bolt Mount Link, 5/8 ID	2
14	02000562	Deck Link	2
15	01001855	Ferule Lift	4
16	01001857	Lift Connector Rod	2
17	01001930	Hex Flange Bearing, 1.25 ID	4
18	01002586	Front Lift Link, Rod Mount	1
19	01003123	Spacer, .812 ID x .268 Lg.	3
20	01003318	Lift Compression Spring	2
21	01003534	Carriage Bolt, 3/8-16, 2.75	2
22	01003535	Shoulder Screw, 0.625 OD x .437 Lg.	4
23	01003536	Shoulder Screw, 0.625 OD x .830 Lg.	1
24	01003537	Cotter Pin, .148 x 3.00	1
25	01003993	Linch Pin, 3/16 Dia.	6
26	01003994	E Clip, 3/4 Dia.	4
27	01004003	Nylon Flat Washer, 5/8	6
28	01004080	Spacer, .39 ID x .63 OD x 1.442	2
29	01004118	Shoulder Screw, .50 OD x 0.27	1
30	01004968	Lift Pivot Assembly	1
31	01004971	Lift Handle Spring	1
32	01007804	Bearing Lift Brace Assembly, Right Hand	1
33	01007802	Bearing Lift Brace Assembly, Left Hand	1
34	01005569	Front Frame Strut Assembly	2
35	01006365	Lift Link Adjustment	1
36	01006823	Hose, 5/8 ID 13/16 OD, 8" LG	2
37	01007469	Lift Handle Assembly	1
38	01007561	Lift Handle Grip	1
39	01008207	Bellecrank Weldment Assembly	4
40	01007681	Deck Lift Shaft	2
41	01007962	Socket Head CapScrew, 5/16-18 x 2	8
42	01008627	Outer Lift Index Plate	1
43	01008628	Inner Lift Index Plate	1
44	01008652	Clevis Pin, .438 Dia. x 2.625 Lg.	1
45	01008671	Decal Height Indicator	1
46	01007527	Spacer, .630 ID x 1.06 OD x .440	4
47	01008453	Lift Link Rod	1

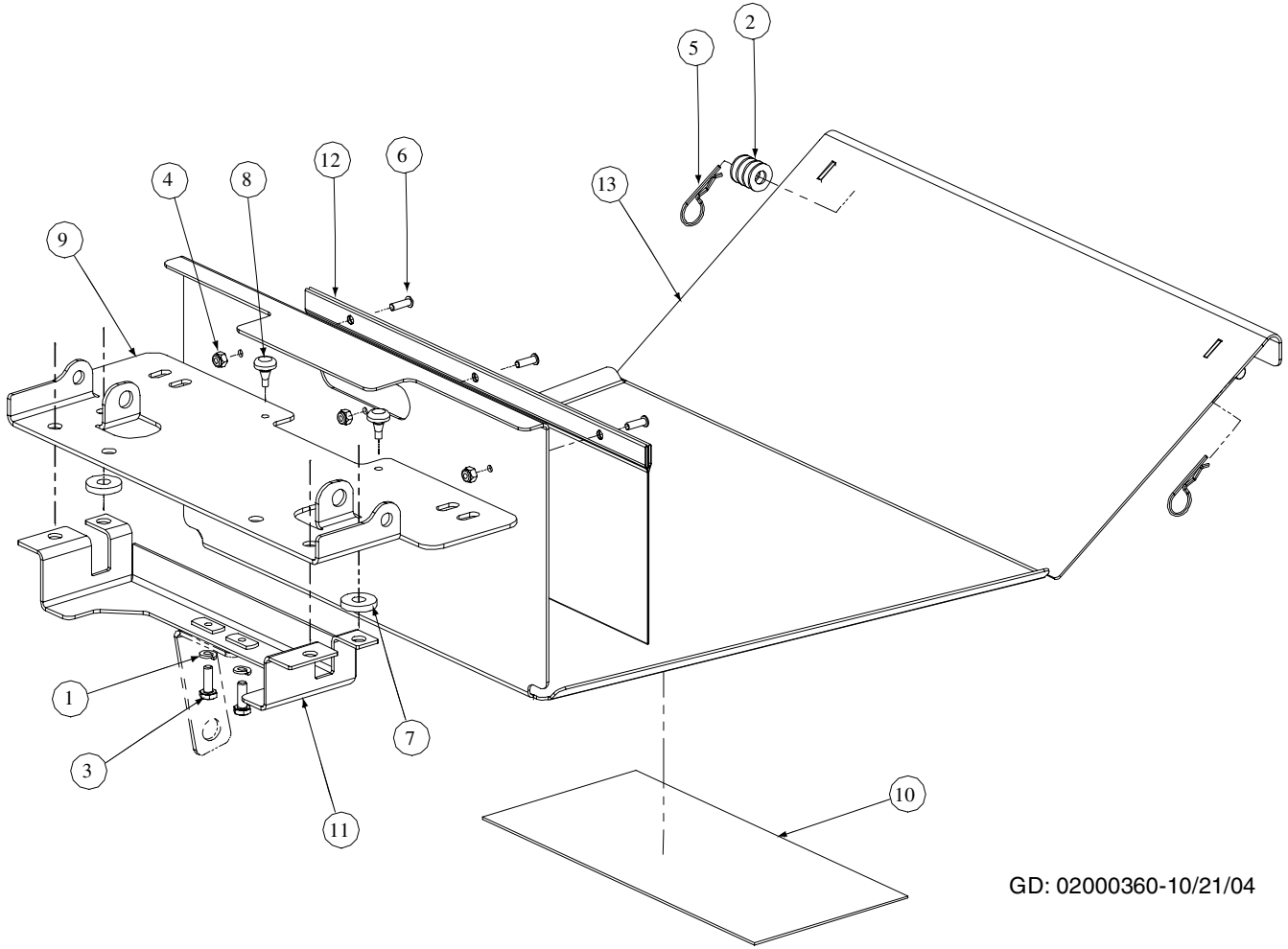
Foot Pedal Deck Lift Assembly - Figure 26 and Part List



GD: 01008360-05/06/03

Ref. No.	Part No.	Description	Qty.
1	00012152	Lock Nut, Nylon Insert, 1/4-20	4
2	00012577	Washer, 1/2 x 1 Shim	1
3	01006786	Detent Pin w/12" Lanyard	1
4	00013131	Hex Cap Screw, 1/4-20, .75	2
5	00022560	Hex Nut, Flange Lock 3/8-16	1
6	01000944	Hex Cap Screw, 1/4-20, 1.00	2
7	01004118	Shoulder Screw, .50 x .27 Lg., 3/8-16	1
8	01006409	Foot Lift Backup Pedal	1
9	01006352	Deck Foot Pedal Lift	1
10	01008359	Deck Foot Pedal Lift	1
11	01006418	Deck Foot Lift Pad	1
12	00062715	Turnbuckle Sleeve	2

Floor Panel Assembly- Figure 27 and Parts List



GD: 02000360-10/21/04

Ref. No.	Part No.	Description	Qty.
1	00012132	Lock Washer, 1/4	2
2	00012158	Washer	AR
3	00013131	Hex Cap Screw, 1/4-20, .75	2
4	00014608	Lock Nut, Nylon Insert, 10-32	3
5	00021956	Hair Pin, 3/8-1/2	2
6	00030906	Screw, Phillips Head, Machine, 10-32 x 5/8	3
7	00083192	Washer	2
8	01001170	Rubber Bumper, .62 OD x .22 Thick	2
9	01001638	Panel Seat	1
10	01004992	Label, Belt Routing and Lubrication	1
11	02000361	Support, Seat Bracket	1
12	02000362	Bag, Debris Storage	1
13	02000433	Floor Panel Assembly	1



Cub Cadet Commercial
P.O. Box 368023
Cleveland, OH 44136